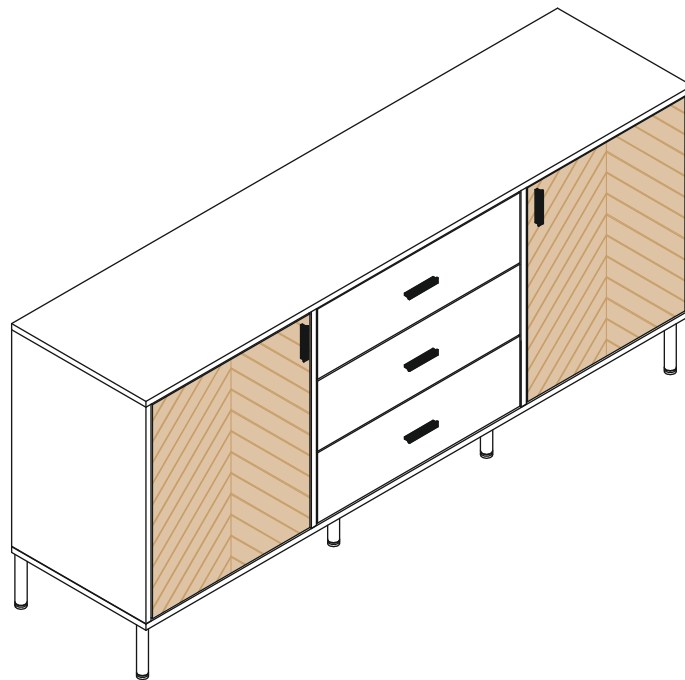


LEON 2 DOOR 3 DRAWER SIDEBOARD ASSEMBLY INSTRUCTIONS



FOR DOMESTIC USE ONLY IMPORTANT

PLEASE READ BEFORE YOU CONTINUE FURTHER

THE PRODUCT YOU HAVE PURCHASED WILL GIVE YOU MANY YEARS OF SERVICE IF YOU FOLLOW THE GUIDELINES FOR ITS SAFE ASSEMBLY AND PERIODIC MAINTENANCE AND CLEANING.

ASSEMBLE ON A SOFT CLEAN SURFACE.

DO NOT USE ANY TOOLS OTHER THAN THOSE SHOWN.

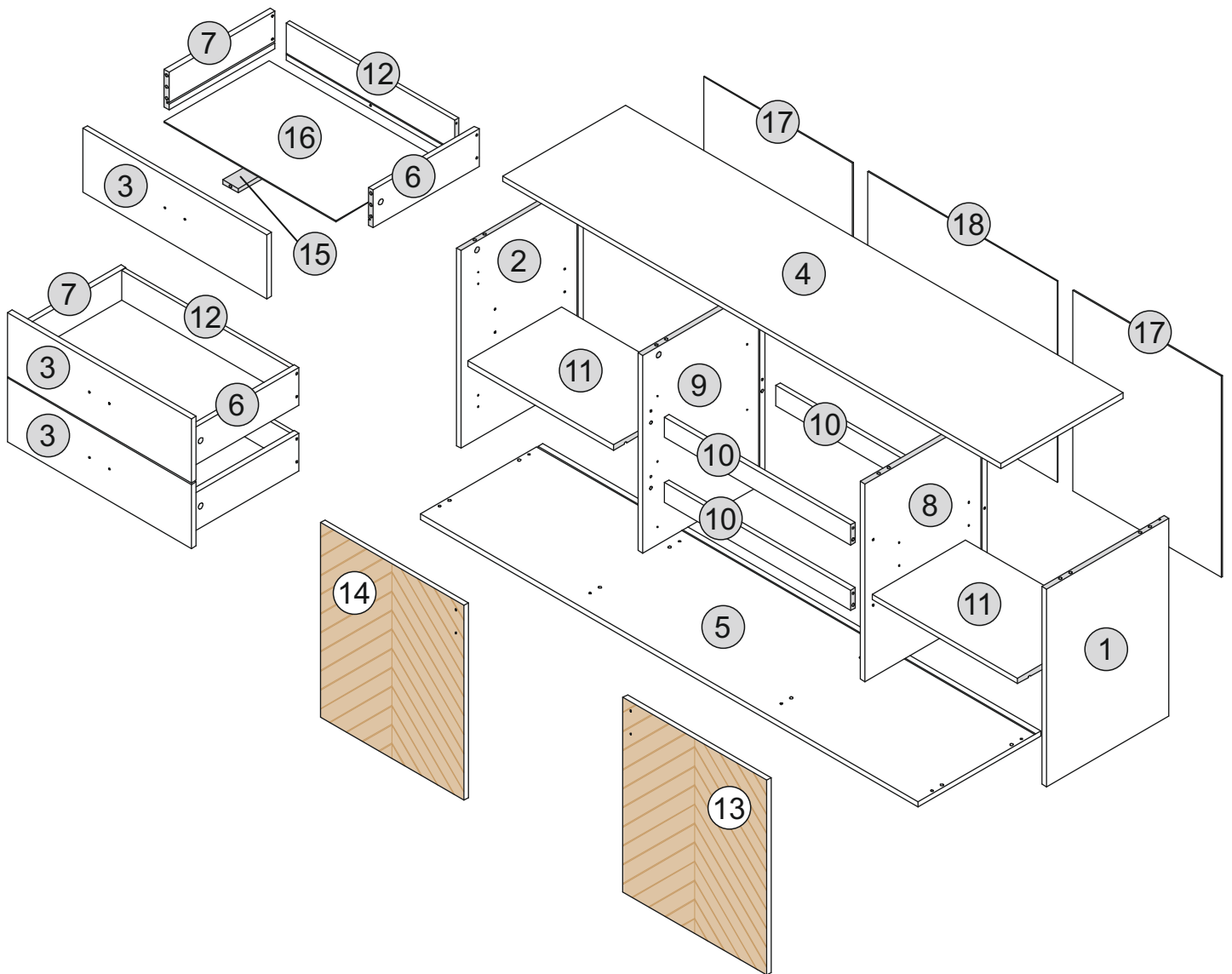
ANY SPANNERS OR ALLEN KEYS REQUIRED ARE INCLUDED WITH THE FITTING KIT.

DO NOT FOR ANY REASON USE A POWER TOOL TO ASSEMBLE THIS PRODUCT. ITS USE WILL INVALIDATE ANY CLAIM YOU MAY HAVE AND COULD MAKE THIS PRODUCT UNSAFE.

DEPENDING ON THE AMOUNT OF USE THIS PRODUCT RECEIVES, IT MAY BE NECESSARY TO TIGHTEN UP THE FIXINGS FROM TIME TO TIME. THIS IS COMPLETELY NORMAL FOR ANY FLAT PACK FURNITURE. DO NOT OVERTIGHTEN FIXINGS.

FOR CLEANING, YOU MAY USE A DAMP CLOTH (NOT WET). DO NOT USE POLISH, DETERGENT OR CHEMICAL CLEANERS.

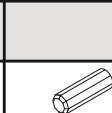
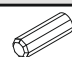




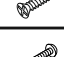


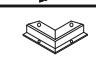
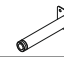







THIS SURFACE OF THIS ITEM IS NOT HEAT RESISTANT. ALWAYS USE A PLACE MAT UNDER HOT OR COLD ITEMS TO PREVENT MARKING.



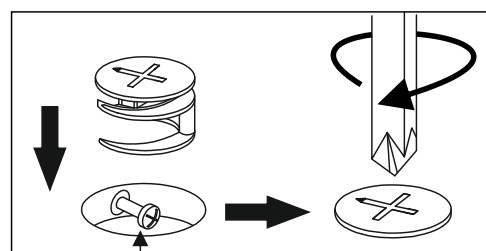
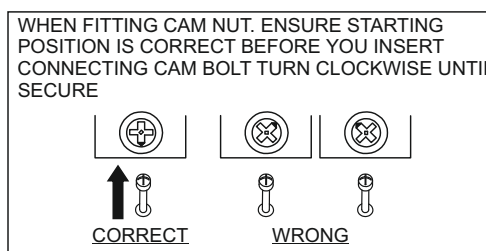
PART LIST

Part Number	Part Code	Part Description	Quantity	Carton
1	S400-405-044-ZF1-01	Right Side Panel	1	1/2
2	S400-405-044-ZF1-02	Left Side Panel	1	1/2
3	S400-405-044-ZF1-03	Drawer Front	3	1/2
4	S400-405-044-ZF1-04	Top Panel	1	1/2
5	S400-405-044-ZF1-05	Bottom Panel	1	1/2
6	S400-405-044-ZF1-06	Right Drawer Side	3	1/2
7	S400-405-044-ZF1-07	Left Drawer Side	3	1/2
8	S400-405-044-ZF1-08	Right Centre Panel	1	1/2
9	S400-405-044-ZF1-09	Left Centre Panel	1	1/2
10	S400-405-044-ZF1-10	Support Panel	3	1/2
11	S400-405-044-ZF1-11	Adjustable Shelf Panel	2	2/2
12	S400-405-044-ZF1-12	Drawer Back	3	2/2
13	S400-405-044-ZF1-13	Right Door	1	2/2
14	S400-405-044-ZF1-14	Left Door	1	2/2
15	S400-405-044-ZF1-15	Drawer Support	3	1/2
16	S400-405-044-ZF1-16	Drawer Base	3	2/2
17	S400-405-044-ZF1-17	Small Back Panel	2	2/2
18	S400-405-044-ZF1-18	Large Back Panel	1	2/2

HARDWARE LIST

No	Part Name		Qty	Carton
A	M8x30mm Wooden Dowel		x34	1
B	Minifix Cam Bolt <small>(8032t)</small>		x17	1
C	Minifix Cam Nut <small>(1512)</small>		x14	1
D	M3.5x16mm Screw		x64	1
E	M4x45mm Screw		x14	1
F	M4x38mm Screw		x15	1
G	20mm Handle Screw		x10	1
H	Handle <small>(64mm)</small>		x5	1
I	14" Drawer Slide <small>(VKT 0.9 - Black)</small>		x3	1
J	Corner Support <small>(AC101)</small>		x2	1
K	Iron Leg <small>(150mm) - Black</small>		x6	1
L	Shelf Support		x8	1
M	Wall Fixing <small>(4x20mm=1pc)</small>		x1	1
N	M4x20mm Screw		x4	1
O	End Hinges <small>(M11)</small>		x4	1
P	Door Stopper		x2	1
Q	Minifix Cam Nut <small>(1510)</small>		x3	1

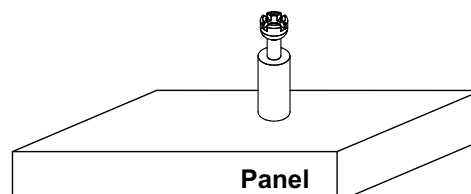
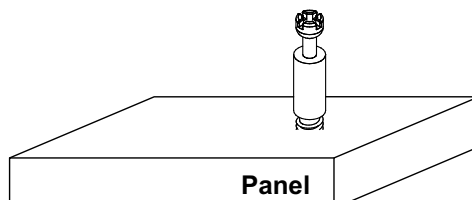
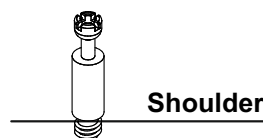
TIPS FOR FITTINGS CAM-LOCKS



Cam bolt head needs to be in centre

CAMBOLT

Tighten until shoulder in flush with panel. Do not overtighten or undertighten (see example below)



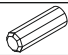
STEP 1

PARTS REQUIRED

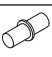
1 - RIGHT SIDE PANEL x1

2 - LEFT SIDE PANEL x1

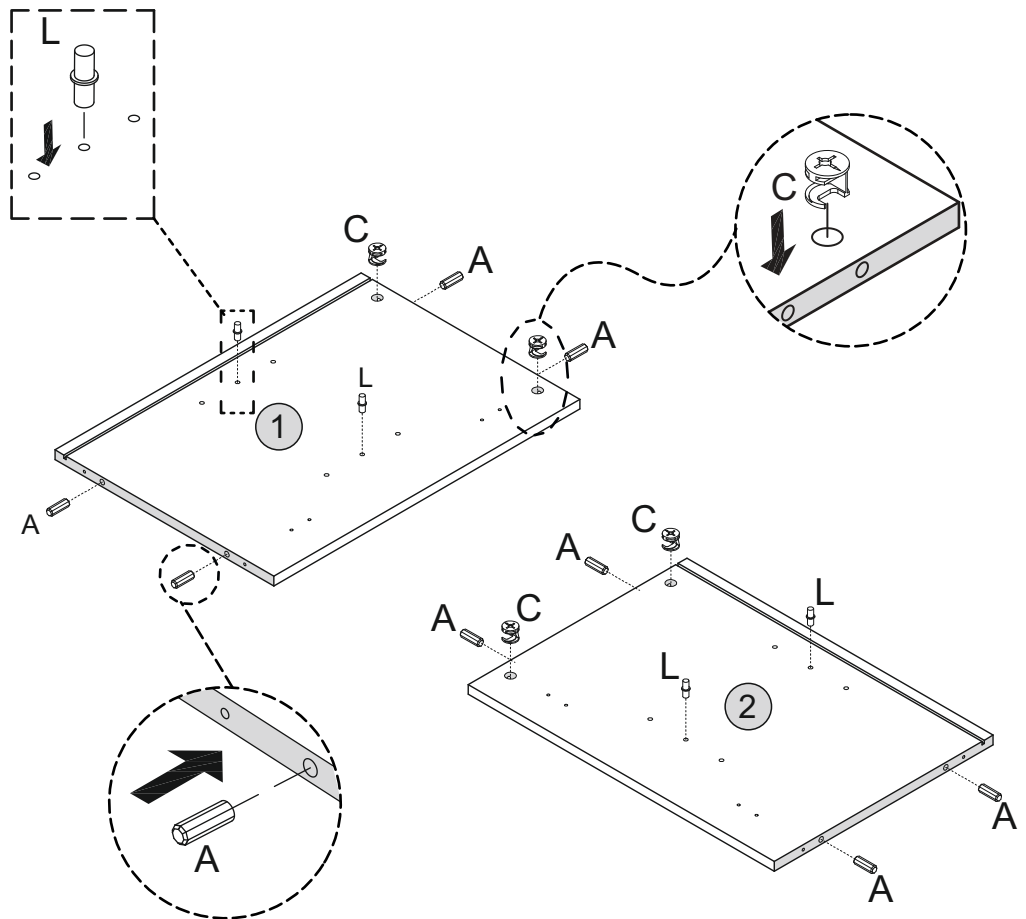
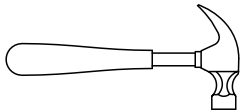
HARDWARE REQUIRED

A  08

C  04

L  04

TOOLS REQUIRED



STEP 2

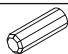
PARTS REQUIRED

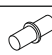
8 - RIGHT CENTRE PANEL x1

9 - LEFT CENTRE PANEL x1

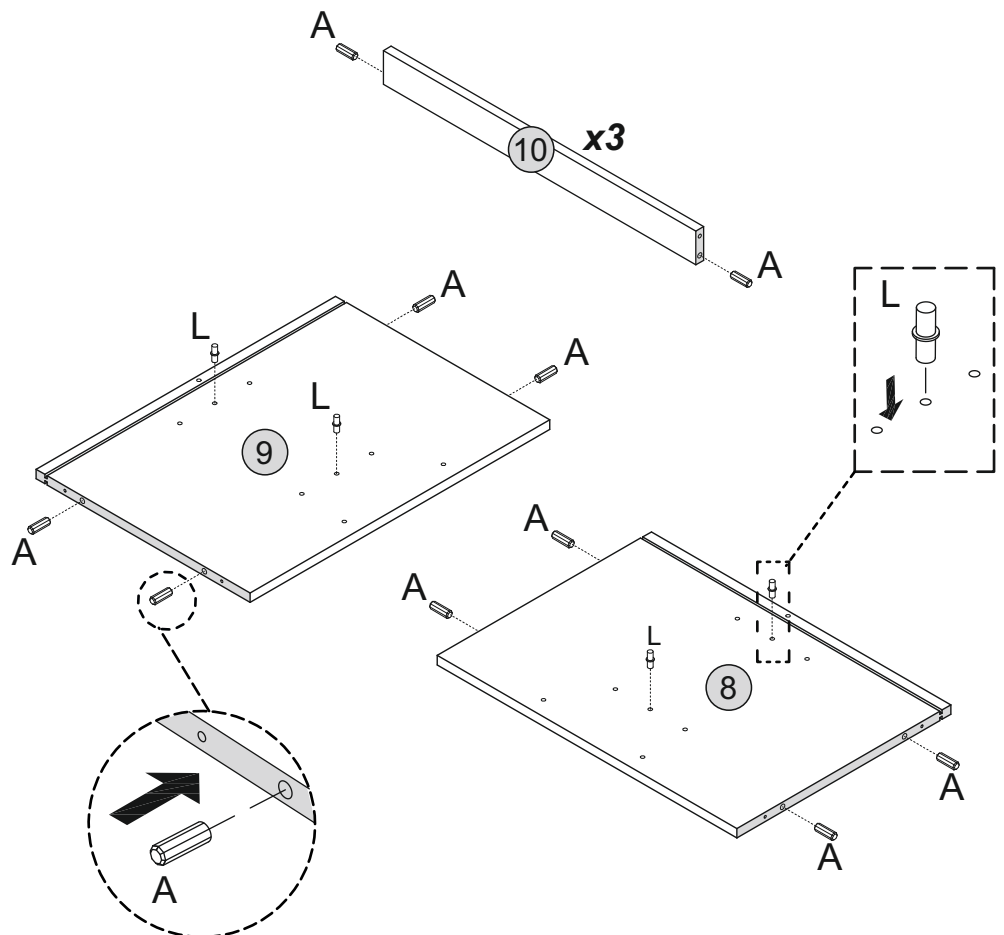
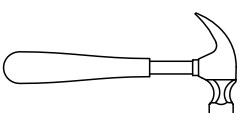
10 - SUPPORT PANEL x3

HARDWARE REQUIRED

A  14

L  04

TOOLS REQUIRED



STEP 3

PARTS REQUIRED

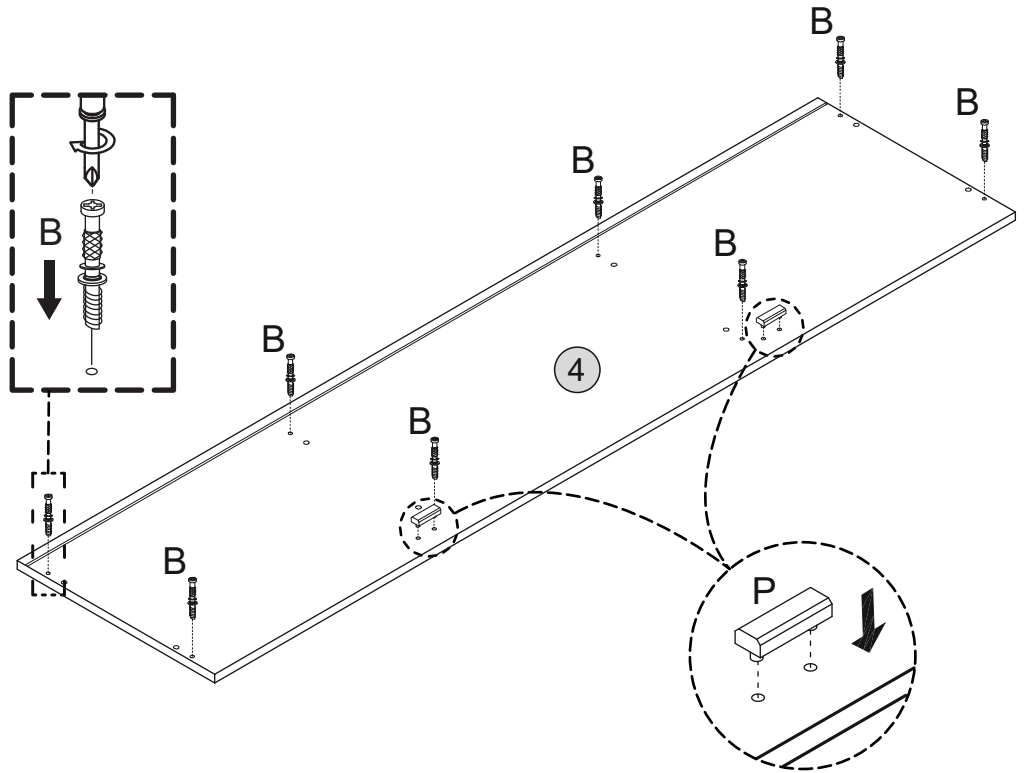
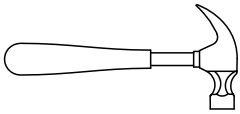
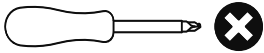
4 - TOP PANEL x1

HARDWARE REQUIRED

B  08

P  02

TOOLS REQUIRED



STEP 4

PARTS REQUIRED

8 - RIGHT CENTRE PANEL x1

9 - LEFT CENTRE PANEL x1

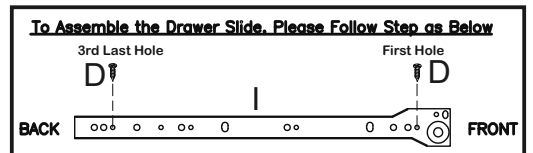
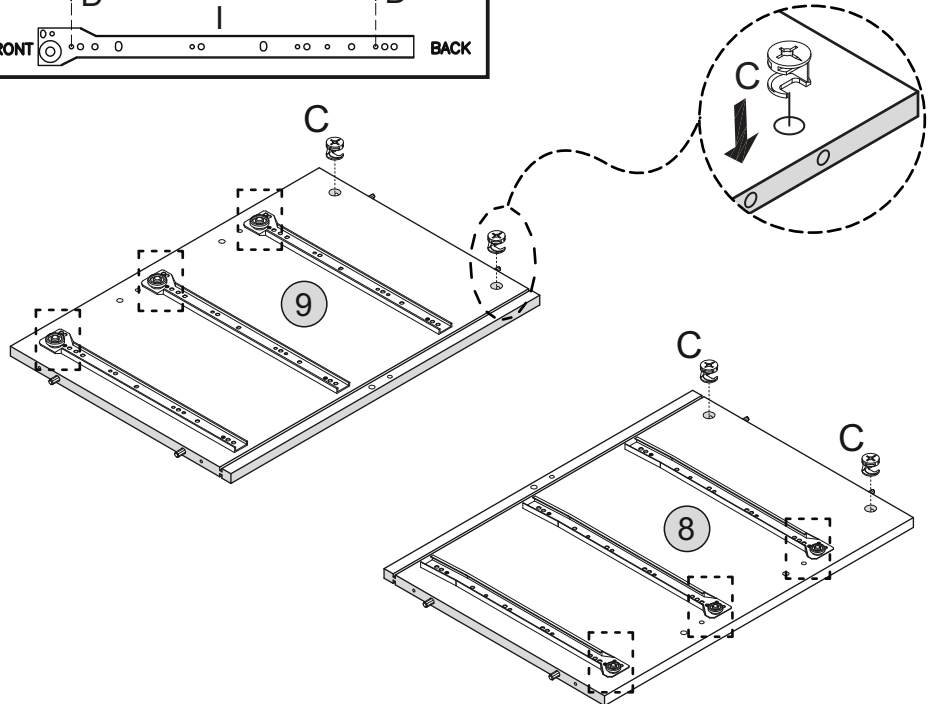
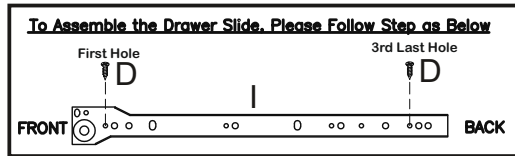
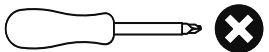
HARDWARE REQUIRED

C  04

D  3.5x16mm 12

I  03

TOOLS REQUIRED



STEP 5


PARTS REQUIRED

13 - RIGHT DOOR x1

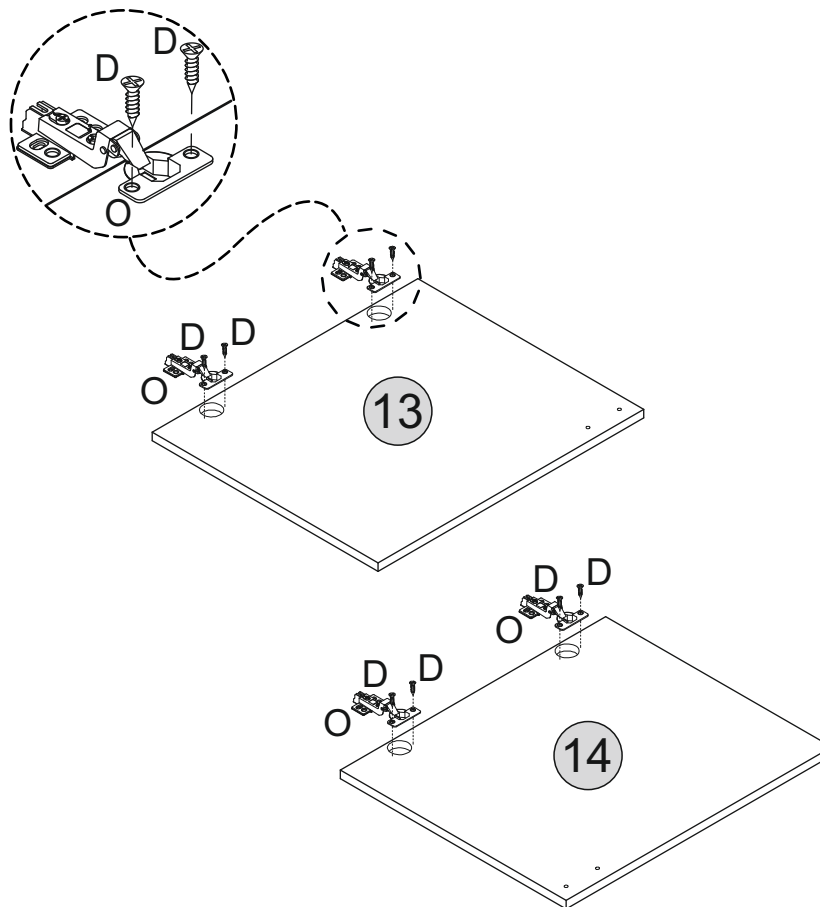
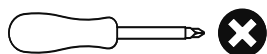
14 - LEFT DOOR x1

HARDWARE REQUIRED

D  08
3.5x16mm

O  04

TOOLS REQUIRED



STEP 6

PARTS REQUIRED

8 - RIGHT CENTRE PANEL x1

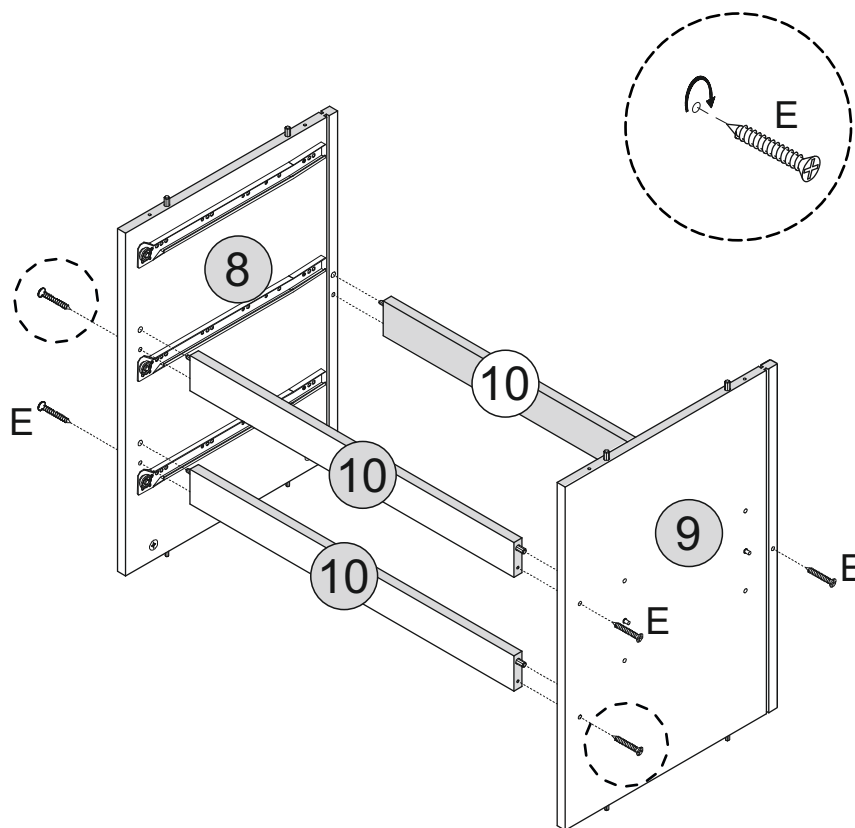
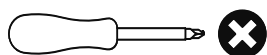
9 - LEFT CENTRE PANEL x1

10 - SUPPORT PANEL x3

HARDWARE REQUIRED

E  06
4x45mm

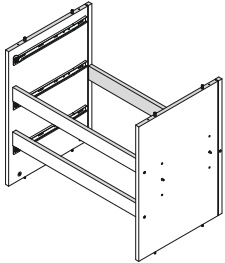
TOOLS REQUIRED



STEP 7

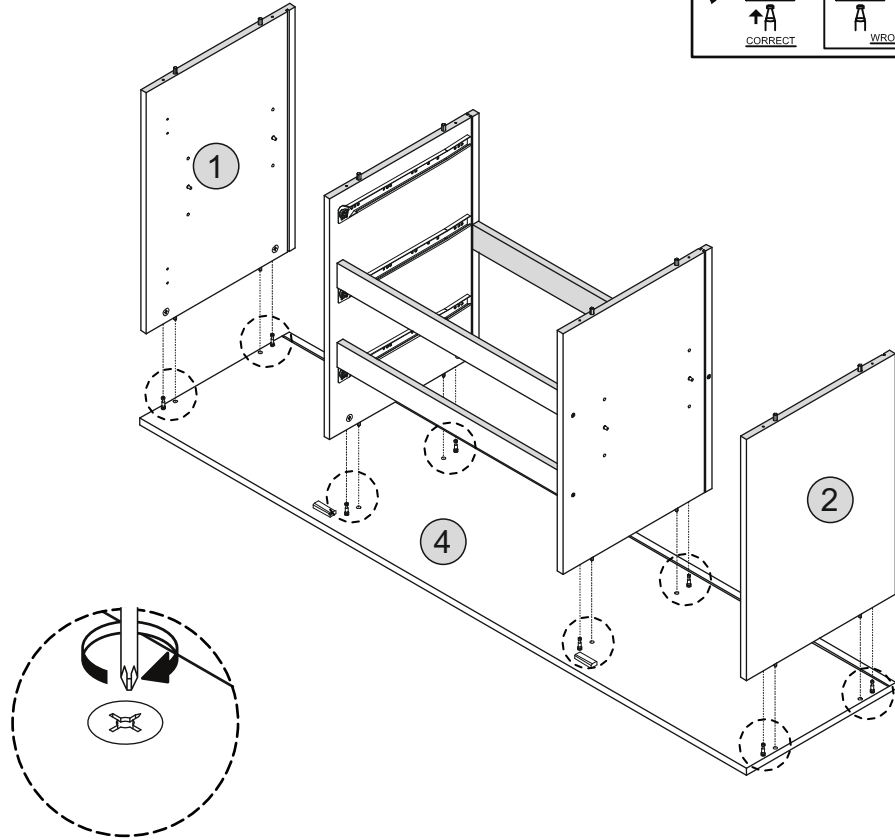
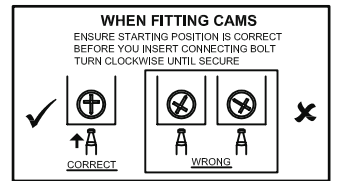
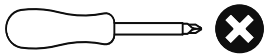
PARTS REQUIRED

- 1 - RIGHT SIDE PANEL x1
- 2 - LEFT SIDE PANEL x1
- 4 - TOP PANEL x1



HARDWARE REQUIRED

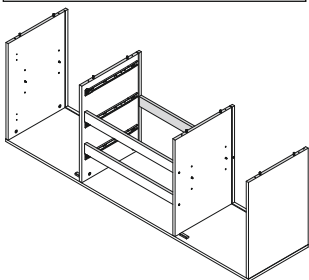
TOOLS REQUIRED



STEP 8

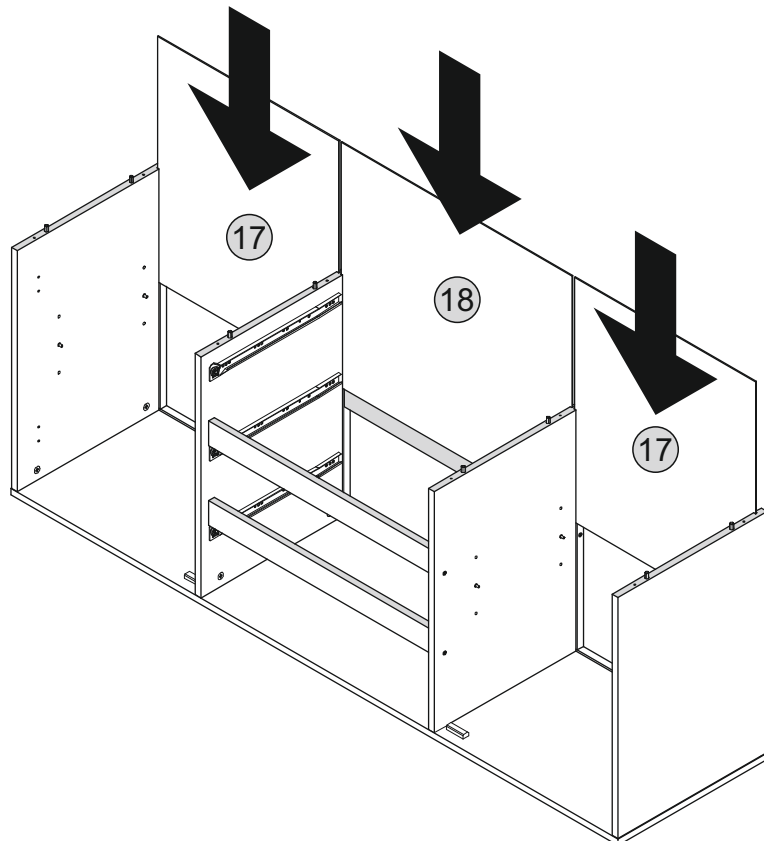
PARTS REQUIRED

- 17 - SMALL BACK PANEL x2
- 18 - LARGE BACK PANEL x1



HARDWARE REQUIRED

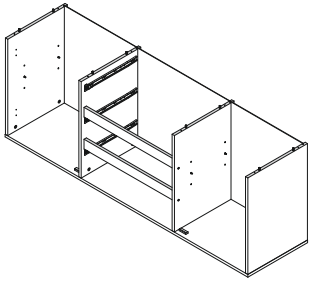
TOOLS REQUIRED



STEP 9

PARTS REQUIRED

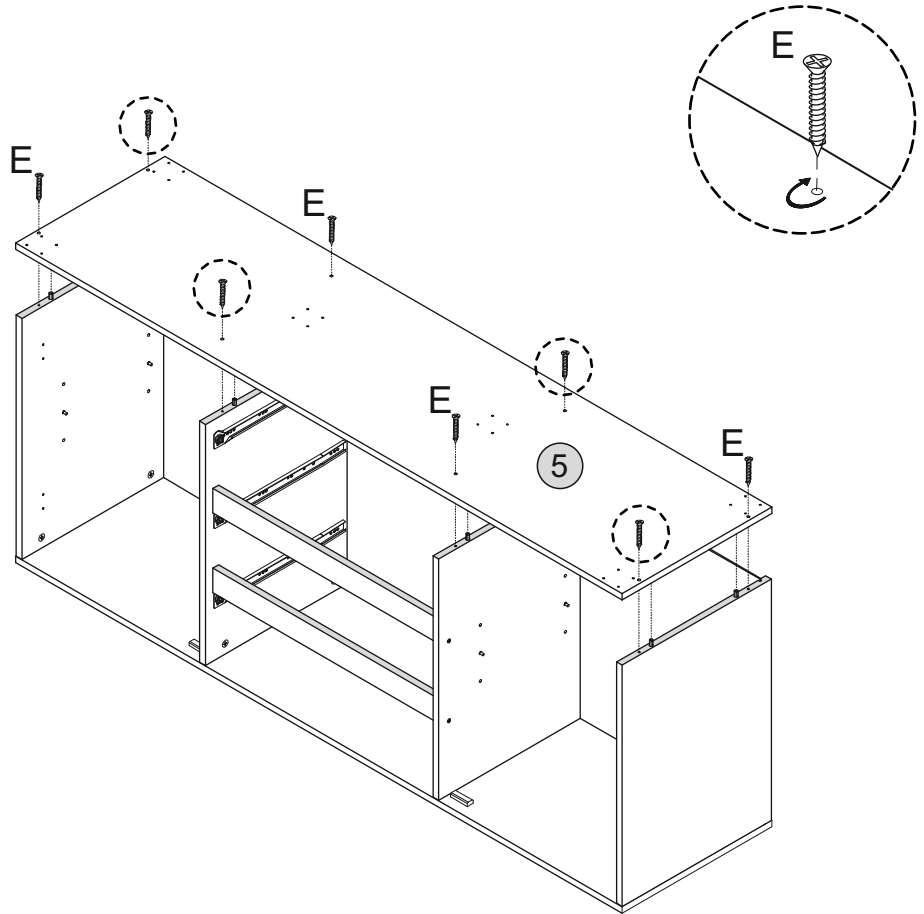
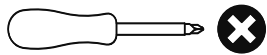
5 - BOTTOM PANEL x1



HARDWARE REQUIRED

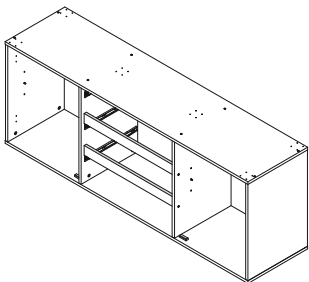
E  08

TOOLS REQUIRED




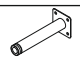
STEP 10

PARTS REQUIRED

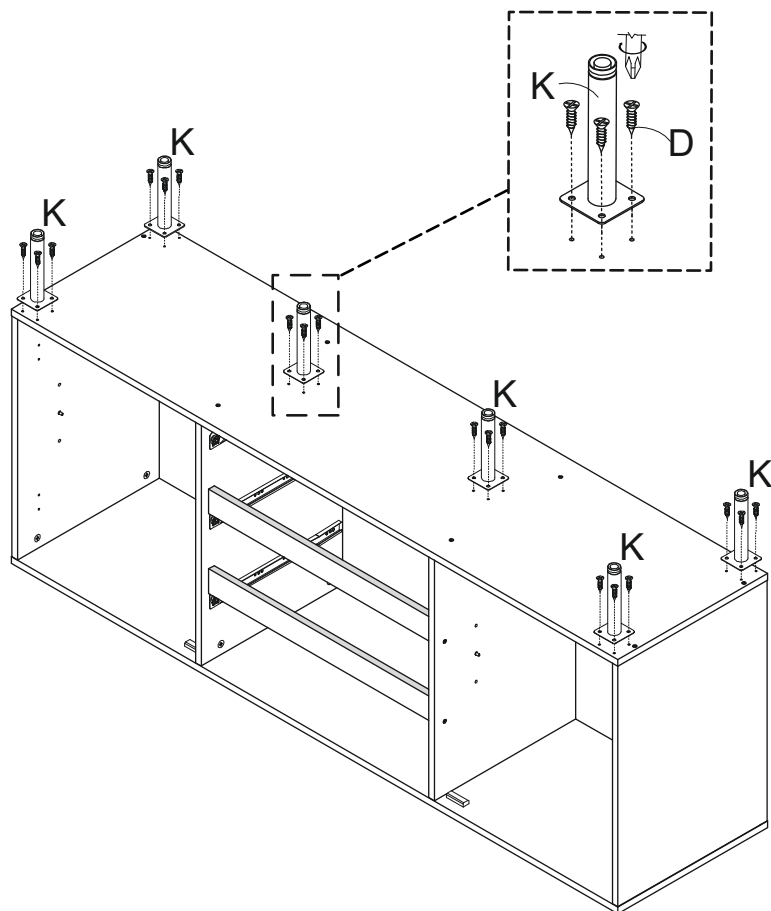
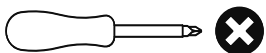


HARDWARE REQUIRED

D  24

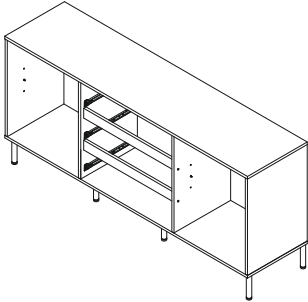
K  06

TOOLS REQUIRED

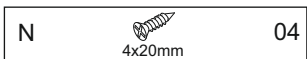
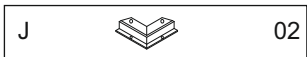


STEP 11

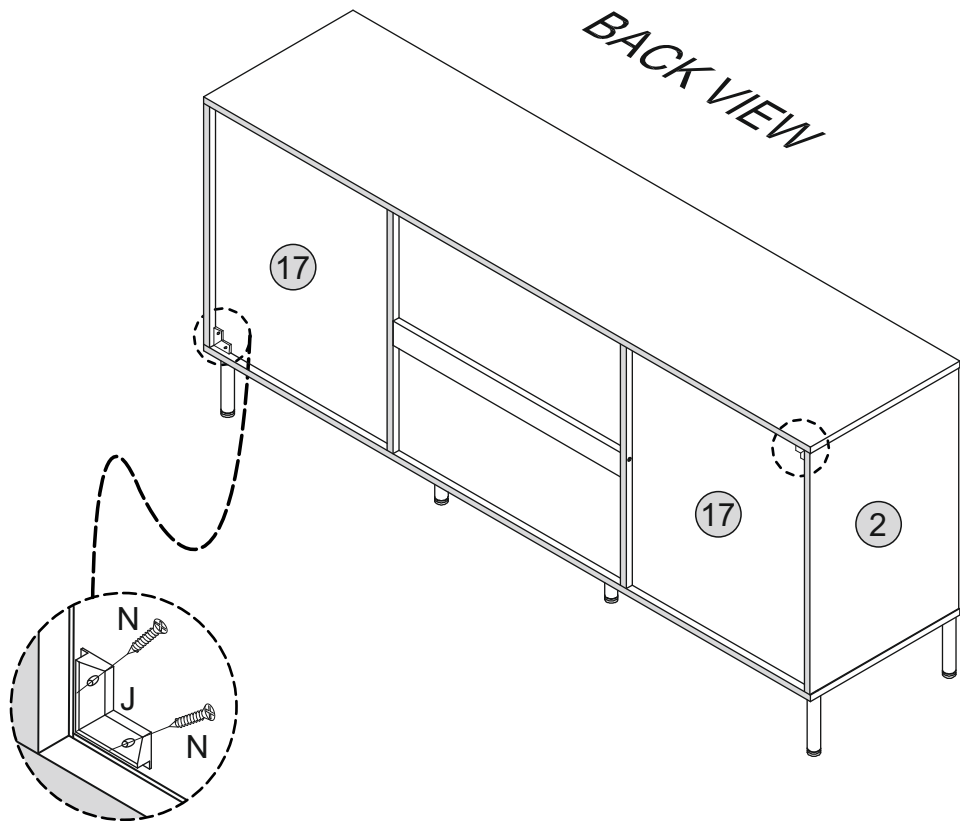
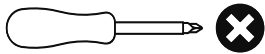
PARTS REQUIRED



HARDWARE REQUIRED

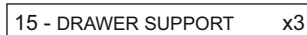


TOOLS REQUIRED

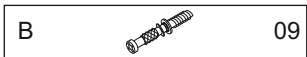
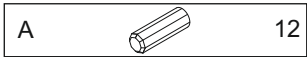


STEP 12

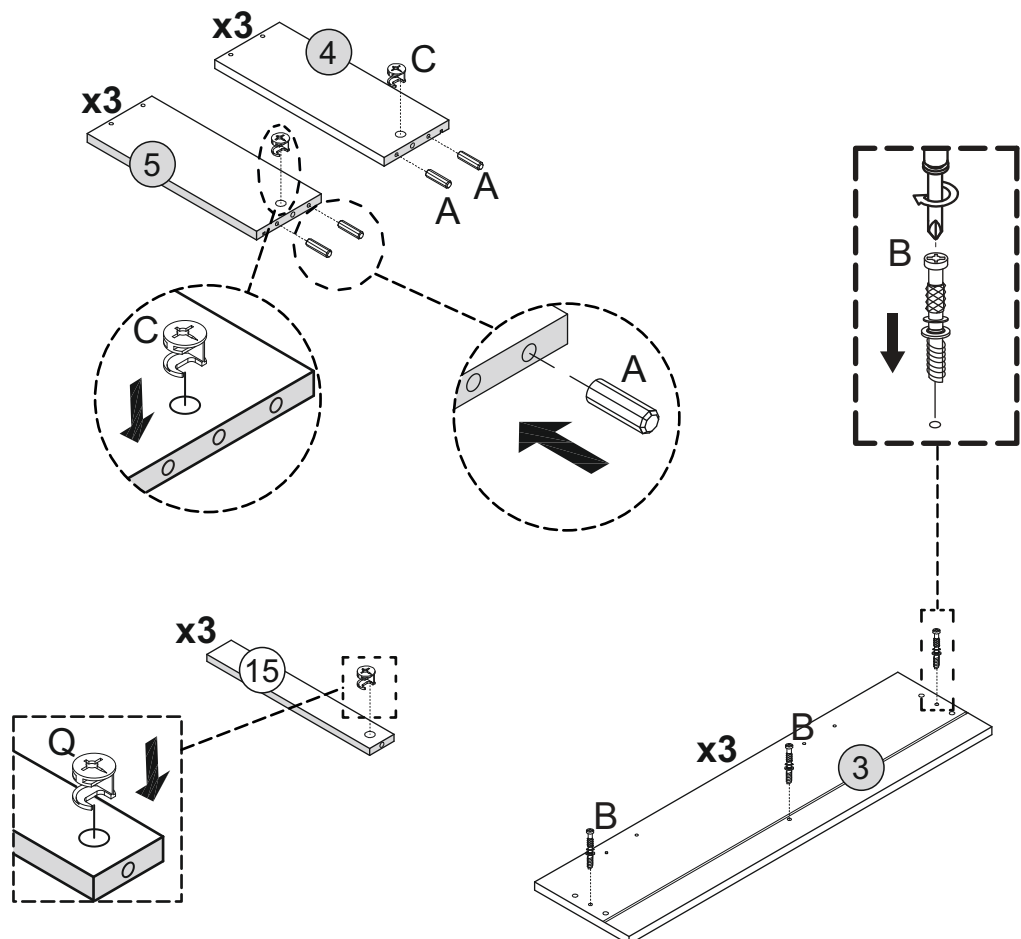
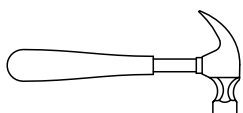
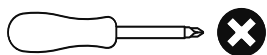
PARTS REQUIRED



HARDWARE REQUIRED



TOOLS REQUIRED



STEP 13

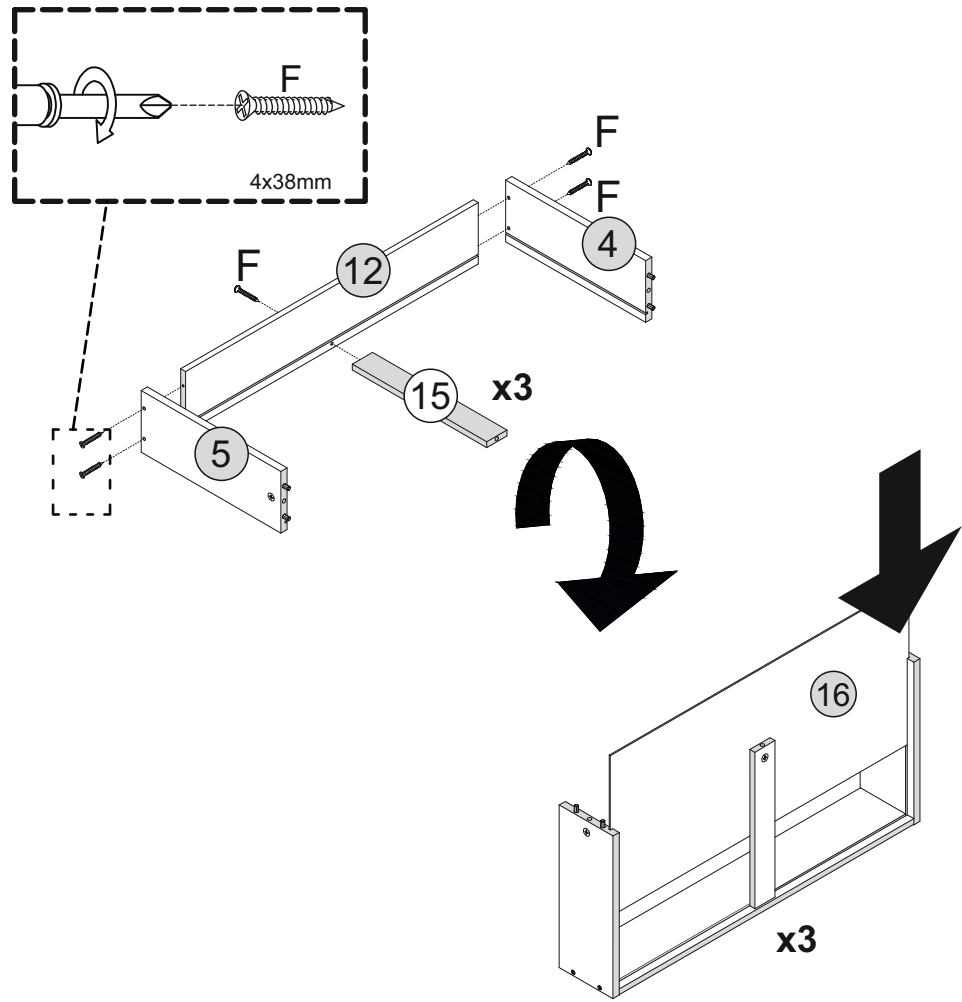
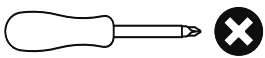
PARTS REQUIRED

- 4 - RIGHT DRAWER SIDE x3
- 5 - LEFT DRAWER SIDE x3
- 12 - DRAWER BACK x3
- 15 - DRAWER SUPPORT x3
- 16 - DRAWER BASE x3

HARDWARE REQUIRED

- F  15

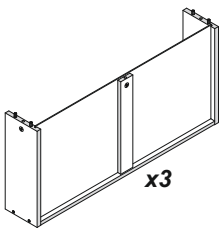
TOOLS REQUIRED



STEP 14

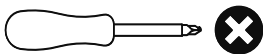
PARTS REQUIRED

- 3 - DRAWER FRONT x1

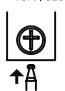




HARDWARE REQUIRED

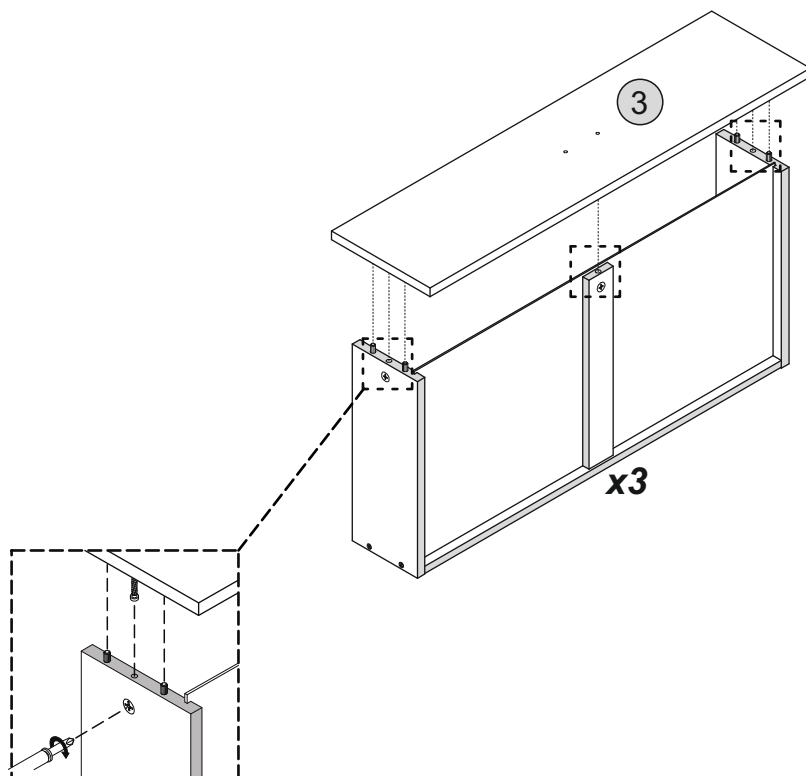
TOOLS REQUIRED



WHEN FITTING CAMS
 ENSURE STARTING POSITION IS CORRECT
 BEFORE YOU INSERT CONNECTING BOLT
 TURN CLOCKWISE UNTIL SECURE

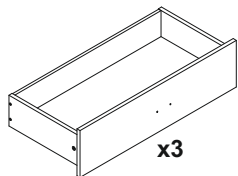
✓    ✗

CORRECT WRONG



STEP 15

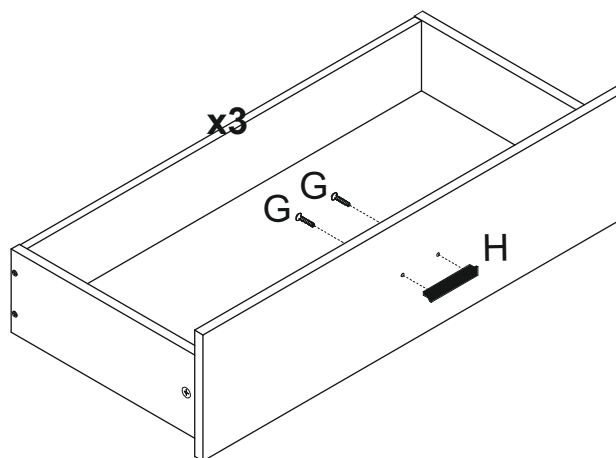
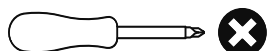
PARTS REQUIRED



HARDWARE REQUIRED

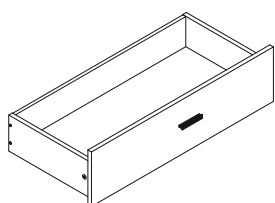


TOOLS REQUIRED

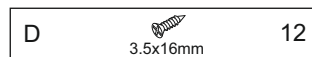


STEP 16

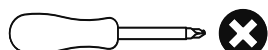
PARTS REQUIRED



HARDWARE REQUIRED

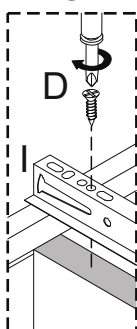


TOOLS REQUIRED

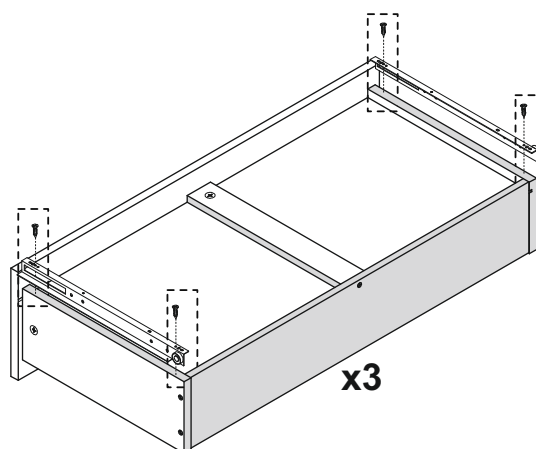
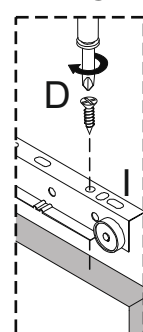


Turn Back

FRONT

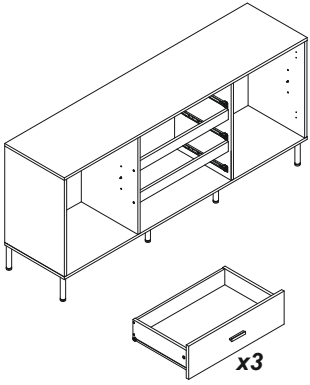


BACK



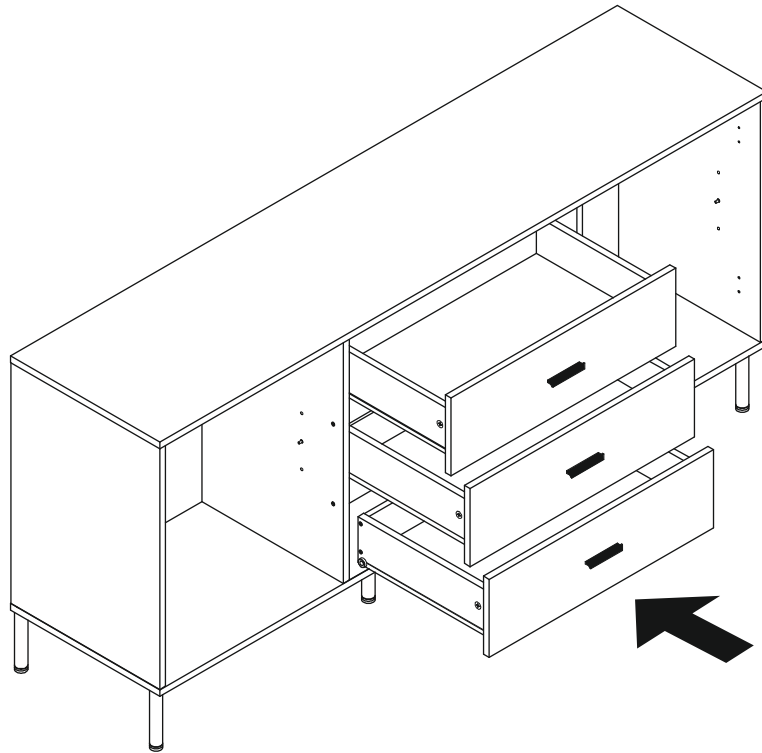
STEP 17

PARTS REQUIRED



HARDWARE REQUIRED

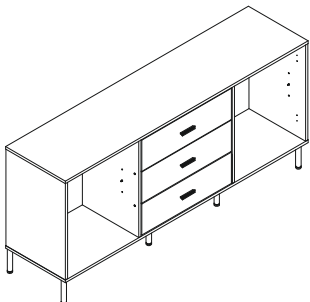
TOOLS REQUIRED



STEP 18

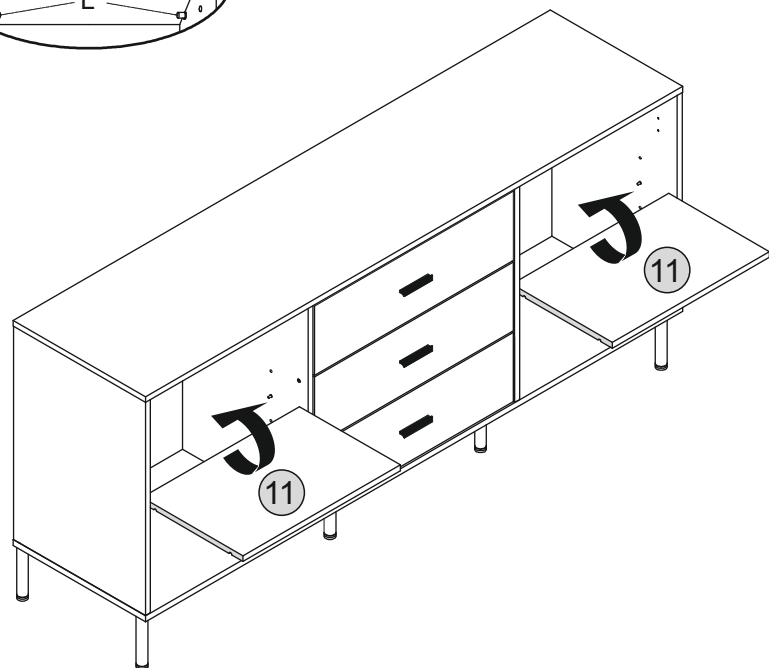
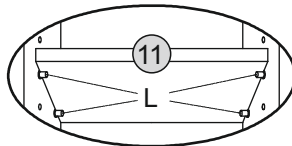
PARTS REQUIRED

11 - ADJUSTABLE SHELF PANEL X2



HARDWARE REQUIRED

TOOLS REQUIRED

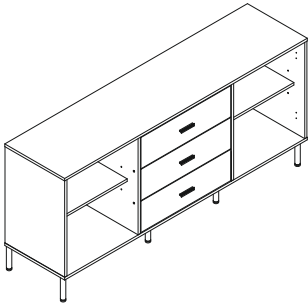


STEP 19


PARTS REQUIRED

13 - RIGHT DOOR x1

14 - LEFT DOOR x1



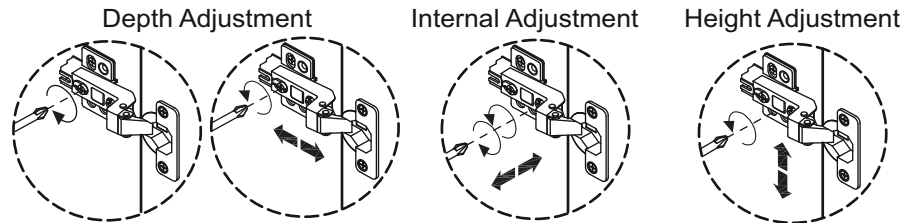
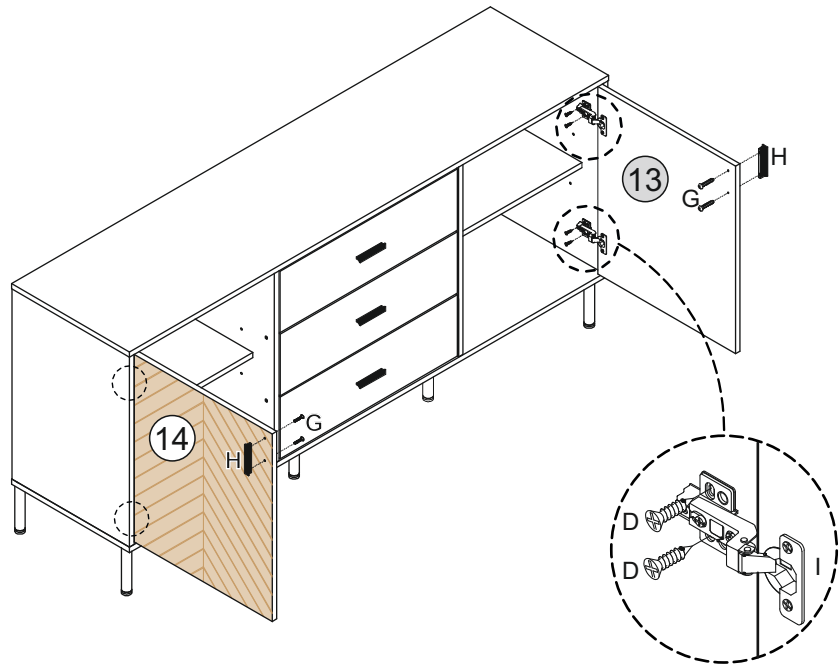
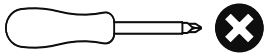
HARDWARE REQUIRED

D  08
3.5x16mm

G  04

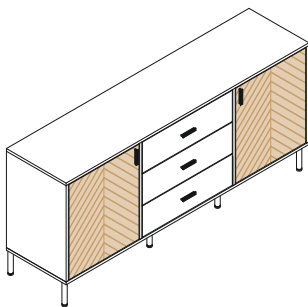
H  02

TOOLS REQUIRED



STEP 20

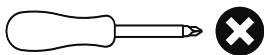
PARTS REQUIRED



HARDWARE REQUIRED

M  01

TOOLS REQUIRED



WARNING

Serious or fatal injuries can occur from furniture tipping over. To prevent the furniture from tipping over we recommend that it is permanently fixed to the wall.

Wall fixings are not supplied with this product as different wall materials require different types of fixing devices. Please make sure you use fixings suitable for the walls in your home.

