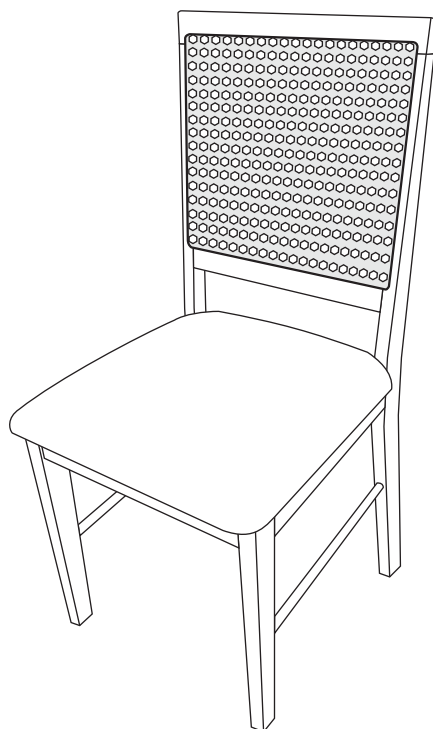


# ELLIS DINING CHAIR ASSEMBLY INSTRUCTIONS



## IMPORTANT

FOR DOMESTIC USE ONLY

**PLEASE READ BEFORE YOU CONTINUE FURTHER**

THE PRODUCT YOU HAVE PURCHASED WILL GIVE YOU MANY YEARS OF SERVICE IF YOU FOLLOW THE GUIDELINES FOR ITS SAFE ASSEMBLY AND PERIODIC MAINTENANCE AND CLEANING.

ASSEMBLE ON A SOFT CLEAN SURFACE.

DO NOT USE ANY TOOLS OTHER THAN THOSE SHOWN.

ANY SPANNERS OR ALLEN KEYS REQUIRED ARE INCLUDED WITH THE FITTINGS KIT.

DO NOT FOR ANY REASON USE A POWER TOOL TO ASSEMBLE THIS PRODUCT. ITS USE WILL INVALIDATE ANY CLAIM YOU MAY HAVE AND COULD MAKE THIS PRODUCT UNSAFE.

DEPENDING ON THE AMOUNT OF USE THIS PRODUCT RECEIVES IT MAY BE NECESSARY TO TIGHTEN UP THE FIXINGS FROM TIME TO TIME.

THIS IS COMPLETELY NORMAL FOR ANY FLAT PACK FURNITURE.

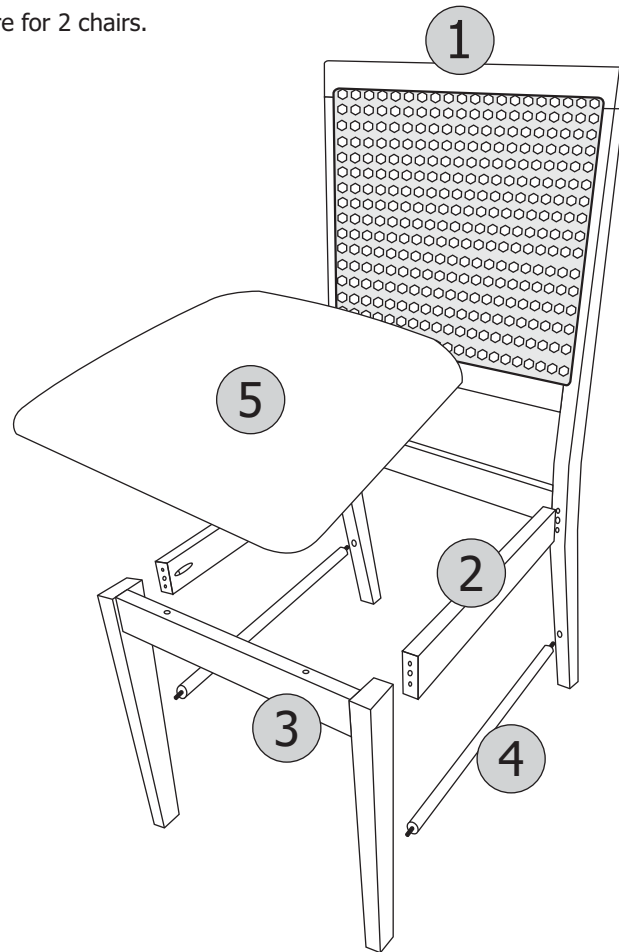
**DO NOT OVERTIGHTEN FIXINGS.**

**FOR CLEANING, YOU MAY USE A DAMP CLOTH (NOT WET). DO NOT USE POLISH, DETERGENT OR CHEMICAL CLEANERS.**

THE SURFACE OF THIS ITEM IS NOT HEAT RESISTANT. ALWAYS USE A PLACE MAT UNDER HOT OR COLD ITEMS TO PREVENT MARKING.

Please check that you have all the parts listed before you start assembling. If you do find that something is missing, do not continue assembly. Please contact your supplier immediately.







The parts and hardware below are for 2 chairs.



## PART LIST

Part Number	Part Code	Part Description	Quantity	Carton
1	S400-402-143-PU1-01C	Chair Back	2	1/1
2	S400-402-143-PU1-02C	Side Stretcher	4	1/1
3	S400-402-143-PU1-03C	Front Section	2	1/1
4	S400-402-143-PU1-04C	Bottom Stretcher	4	1/1
5	S400-402-143-PU1-05C	Cushion Seat	2	1/1

## HARDWARE LIST

No.	Part Name		Qty	Carton
A	M6 x 50mm JCBC		12	1
B	Spring Washer M6 x 13mm		12	1
C	Flat Washer M6 x 13mm		12	1
D	M4 x 32mm CSK Screw		16	1
E	Wood Dowel M8 x 30mm		12	1
F	Allen Key (Ball Head)		1	1

# STEP 1

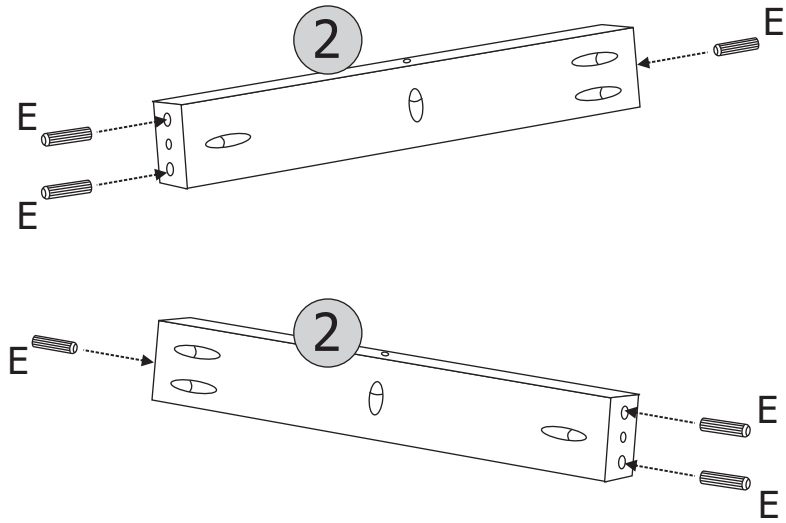
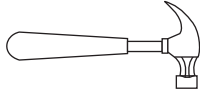
## PARTS REQUIRED

2 - SIDE STRETCHER x2

## HARDWARE REQUIRED

E  06

## TOOLS REQUIRED



# STEP 2

## PARTS REQUIRED

1 - CHAIR BACK x1

2 - SIDE STRETCHER x2

4 - BOTTOM STRETCHER x2

## HARDWARE REQUIRED

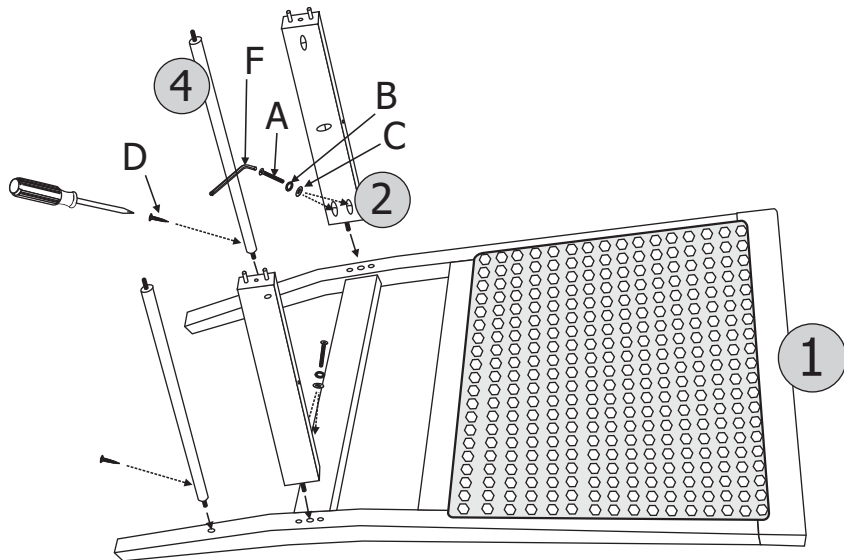
A  04

B  04

C  04

D  02

## TOOLS REQUIRED







**Important**  
Please **do not** fully tighten  
the screws before **STEP 3 !!**

# STEP 3

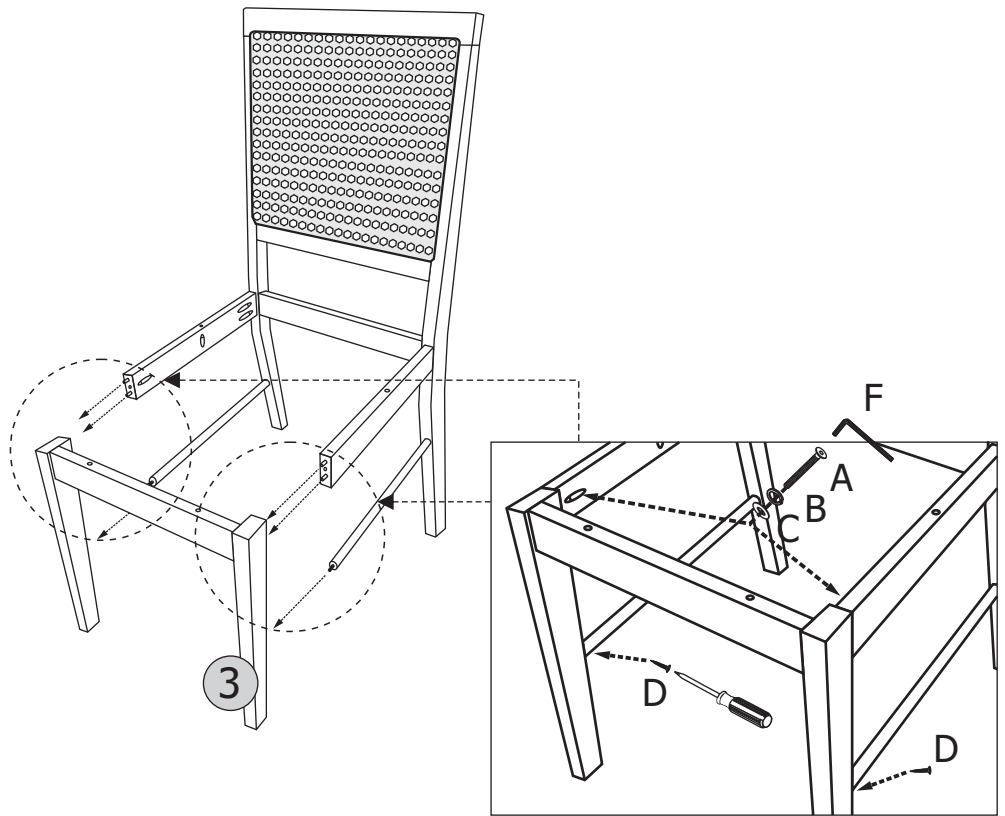
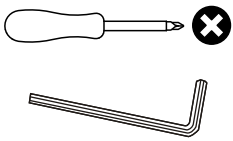
## PARTS REQUIRED

3 - FRONT SECTION x1

## HARDWARE REQUIRED

- A  02
- B  02
- C  02
- D  02

## TOOLS REQUIRED

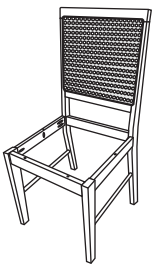


**Important**  
Please now fully tighten **all** bolts.

# STEP 4

## PARTS REQUIRED

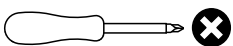
5 - CUSHION SEAT x1



## HARDWARE REQUIRED

- D  04

## TOOLS REQUIRED



### Bottom View

