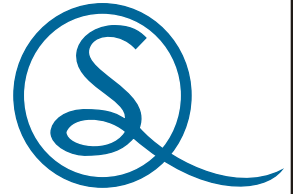
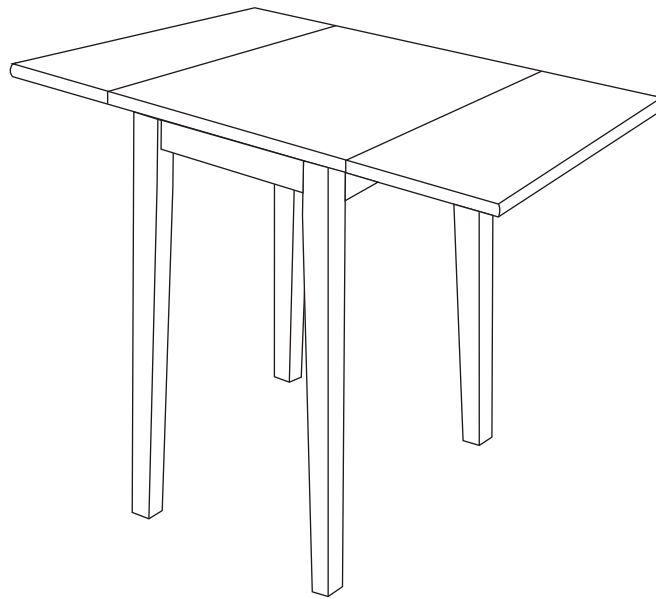


MASON DOUBLE DROP LEAF DINING TABLE ASSEMBLY INSTRUCTIONS



**FOR DOMESTIC USE ONLY
IMPORTANT**

PLEASE READ BEFORE YOU CONTINUE FURTHER

THE PRODUCT YOU HAVE PURCHASED WILL GIVE YOU MANY YEARS OF SERVICE IF YOU FOLLOW THE GUIDELINES FOR ITS SAFE ASSEMBLY AND PERIODIC MAINTENANCE AND CLEANING.

ASSEMBLE ON A SOFT CLEAN SURFACE.

DO NOT USE ANY TOOLS OTHER THAN THOSE SHOWN.

ANY SPANNERS OR ALLEN KEYS REQUIRED ARE INCLUDED WITH THE FITTINGS KIT.

DO NOT FOR ANY REASON USE A POWER TOOL TO ASSEMBLE THIS PRODUCT. ITS USE WILL INVALIDATE ANY CLAIM YOU MAY HAVE AND COULD MAKE THIS PRODUCT UNSAFE.

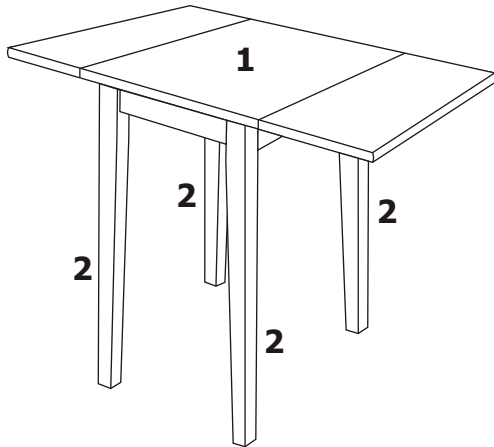
DEPENDING ON THE AMOUNT OF USE THIS PRODUCT RECEIVES IT MAY BE NECESSARY TO TIGHTEN UP THE FIXINGS FROM TIME TO TIME. THIS IS COMPLETELY NORMAL FOR ANY FLAT PACK FURNITURE.

DO NOT OVERTIGHTEN FIXINGS.

FOR CLEANING, YOU MAY USE A DAMP CLOTH (NOT WET). DO NOT USE POLISH, DETERGENT OR CHEMICAL CLEANERS.

THE SURFACE OF THIS ITEM IS NOT HEAT RESISTANT. ALWAYS USE A PLACE MAT UNDER HOT OR COLD ITEMS TO PREVENT MARKING.

MASON DOUBLE DROP LEAF DINING TABLE ASSEMBLY INSTRUCTIONS







PLEASE CHECK THAT YOU HAVE ALL THE PARTS LISTED BEFORE YOU START ASSEMBLING. IF YOU DO FIND THAT SOMETHING IS MISSING, DO NOT CONTINUE ASSEMBLY. PLEASE CONTACT YOUR SUPPLIER IMMEDIATELY.

PARTS LIST

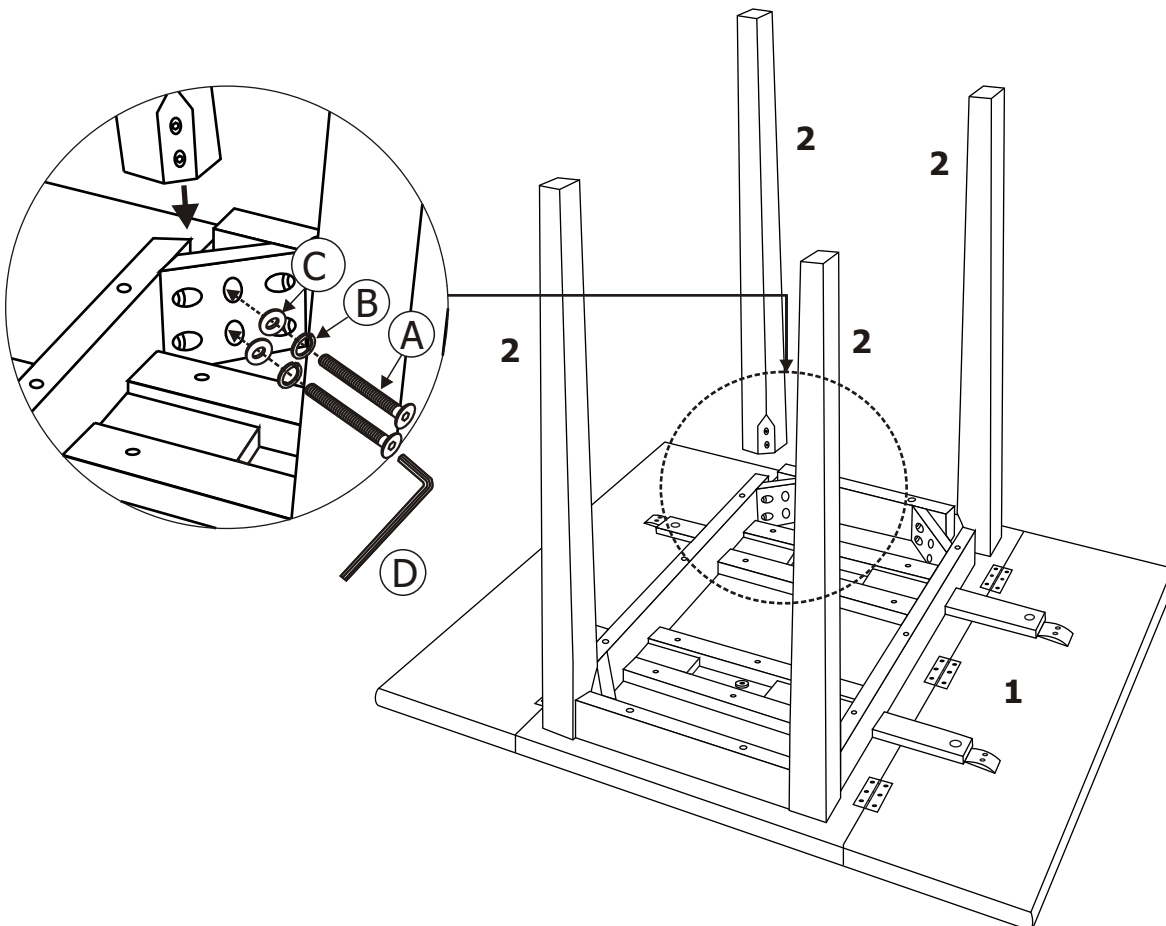
PART	DESCRIPTION	BOX	QTY
1	TABLE TOP	1	1PCS
2	TABLE LEG	1	4PCS

HARDWARE LIST

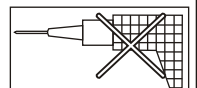
PART	DESCRIPTION	QTY
A	JCBC SCREW M6 X 60MM 	8PCS
B	SPRING WASHER 	8PCS
C	FLAT WASHER 	8PCS
D	M4 ALLEN KEY 	1PC

Step 1

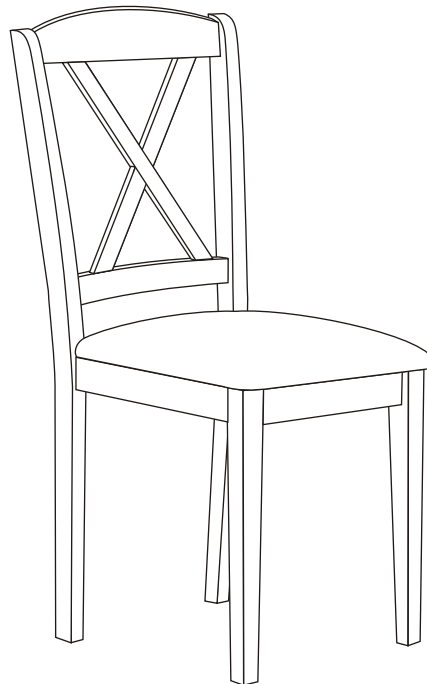
Place the table top (1) upside down on a soft, clean surface, then attach the table legs (2) using JCBC screw (A), Spring Washer (B) & Flat Washer (C). Tighten using Allen Key (D).



THE USE OF POWER TOOLS TO ASSEMBLE THIS PRODUCT WILL INVALIDATE ANY CLAIM AND MAY DAMAGE THIS PRODUCT MAKING IT UNSAFE.



MASON DINING CHAIR ASSEMBLY INSTRUCTIONS



IMPORTANT

FOR DOMESTIC USE ONLY

PLEASE READ BEFORE YOU CONTINUE FURTHER

THE PRODUCT YOU HAVE PURCHASED WILL GIVE YOU MANY YEARS OF SERVICE IF YOU FOLLOW THE GUIDELINES FOR ITS SAFE ASSEMBLY AND PERIODIC MAINTENANCE AND CLEANING.

ASSEMBLE ON A SOFT CLEAN SURFACE.

DO NOT USE ANY TOOLS OTHER THAN THOSE SHOWN.

ANY SPANNERS OR ALLEN KEYS REQUIRED ARE INCLUDED WITH THE FITTINGS KIT.

DO NOT FOR ANY REASON USE A POWER TOOL TO ASSEMBLE THIS PRODUCT. ITS USE WILL INVALIDATE ANY CLAIM YOU MAY HAVE AND COULD MAKE THIS PRODUCT UNSAFE.

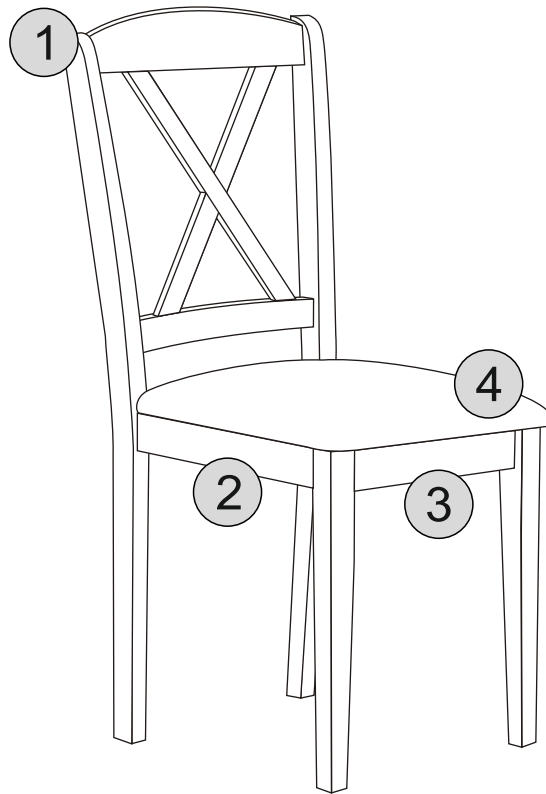
DEPENDING ON THE AMOUNT OF USE THIS PRODUCT RECEIVES IT MAY BE NECESSARY TO TIGHTEN UP THE FIXINGS FROM TIME TO TIME.

THIS IS COMPLETELY NORMAL FOR ANY FLAT PACK FURNITURE.

DO NOT OVERTIGHTEN FIXINGS.

FOR CLEANING, YOU MAY USE A DAMP CLOTH (NOT WET). DO NOT USE POLISH, DETERGENT OR CHEMICAL CLEANERS.






THE SURFACE OF THIS ITEM IS NOT HEAT RESISTANT. ALWAYS USE A PLACE MAT UNDER HOT OR COLD ITEMS TO PREVENT MARKING.



PARTS LIST

Part Number	Part Code	Part Description	Quantity	Carton
1	S400-402-099-PU1-01	Chair Back	1	1/1
2	S400-402-099-PU1-02	Side Stretchers	2	1/1
3	S400-402-099-PU1-03	Front Section	1	1/1
4	S400-402-099-PU1-04	Cushion Seat	1	1/1

HARDWARE LIST

REF		HARDWARE NAME	QTY
A		JCBC BOLTS	6PCS
B		SPRING WASHER	6PCS
C		FLAT WASHER	6PCS
D		SCREW	4PCS
E		ALLEN KEY	1PC

PLEASE CHECK THAT YOU HAVE ALL THE PARTS LISTED BEFORE YOU START ASSEMBLING. IF YOU DO FIND THAT SOMETHING IS MISSING, DO NOT CONTINUE ASSEMBLY. PLEASE CONTACT YOUR SUPPLIER IMMEDIATELY.


STEP 1

PARTS REQUIRED

1 - CHAIR BACK x1

2 - SIDE STRETCHER x1

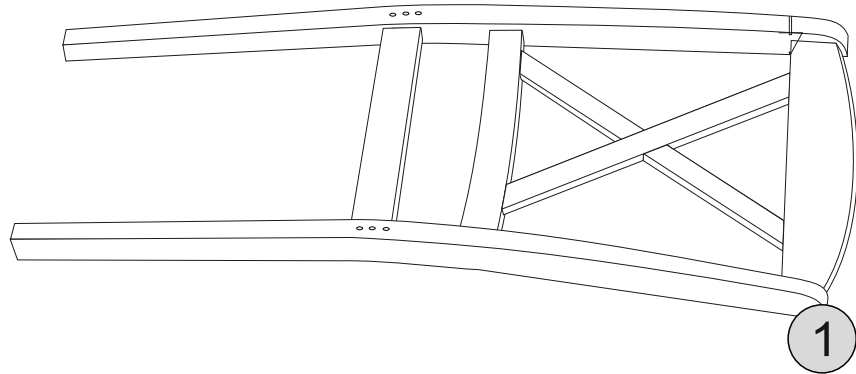
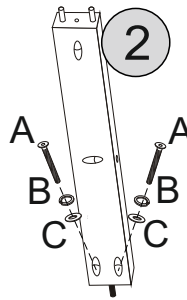
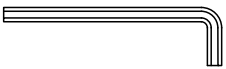
HARDWARE REQUIRED

A  02

B  02

C  02

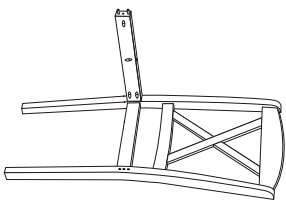
TOOLS REQUIRED



STEP 2

PARTS REQUIRED

3 - SIDE STRETCHER x1



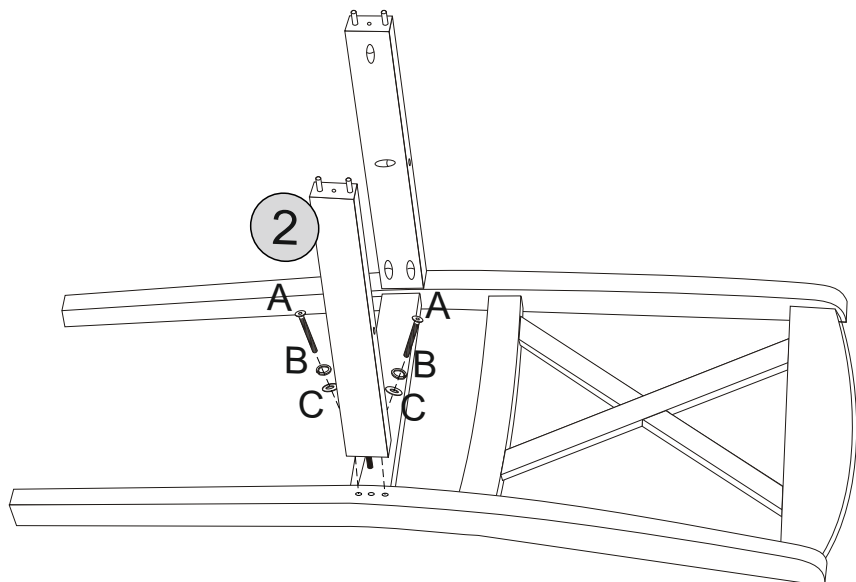
HARDWARE REQUIRED

A  02

B  02

C  02

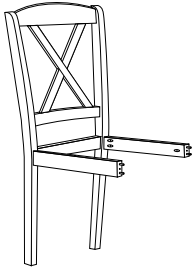
TOOLS REQUIRED






STEP 3

PARTS REQUIRED

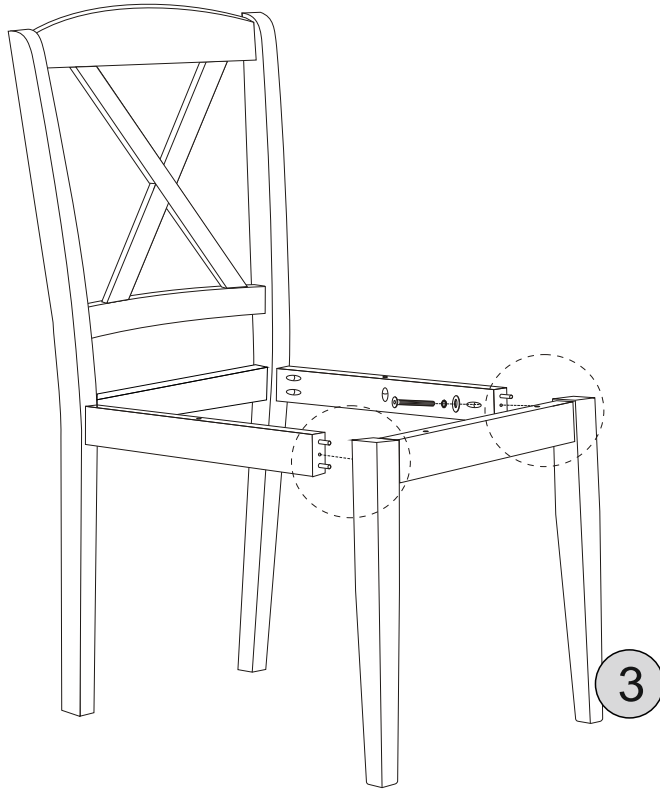
3 - FRONT SECTION x1



HARDWARE REQUIRED

- A  02
- B  02
- C  02

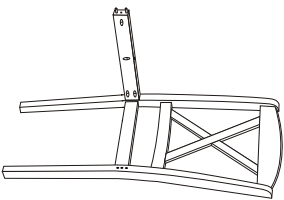
TOOLS REQUIRED



STEP 4

PARTS REQUIRED

4 - CUSHION SEAT x1



HARDWARE REQUIRED

- D  04

TOOLS REQUIRED

