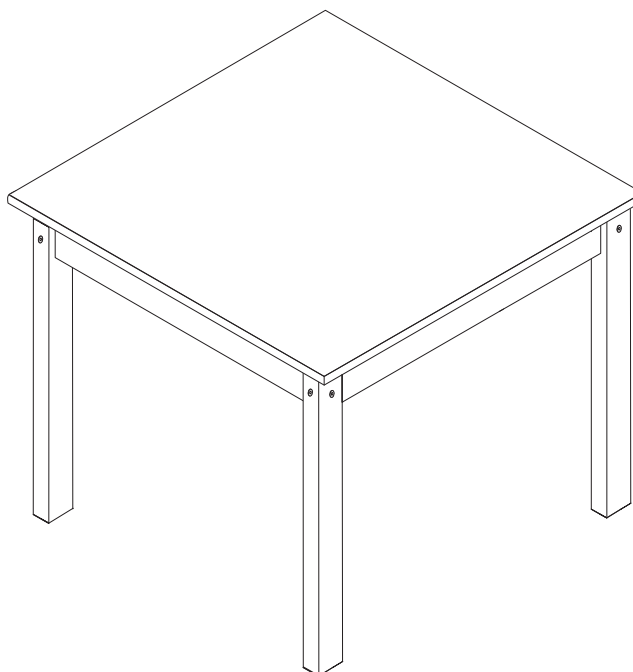
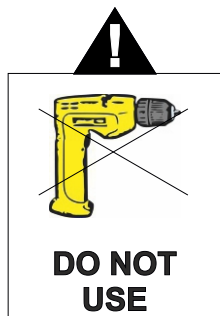


GREY LUDLOW DINING TABLE ASSEMBLY INSTRUCTIONS



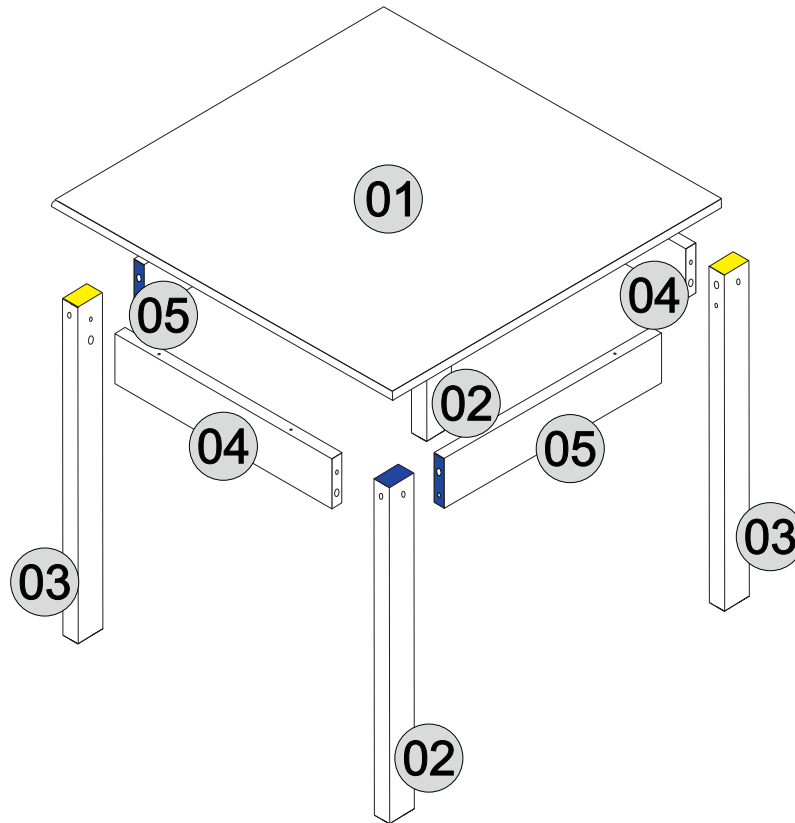
IMPORTANT FOR DOMESTIC USE ONLY

PLEASE READ BEFORE YOU CONTINUE FURTHER

CARE AND MAINTENANCE

After unpacking this product please keep the original packaging in case it needs to be returned for any reason.

- Please ensure all fittings and parts are present before commencing with assembly.
- We recommend that you lay a blanket or sheet on the floor to avoid damage to both your floor and the product.
- We strongly recommend that you keep children away from your work area.
- Assemble this product as close to its final position as possible.
- Never drag or push products as this could cause damage to the joints making it inferior.
- Do not place this product next to a radiator or in direct sunlight.
- Wood is a natural product and may expand if subjected to damp and may shrink or crack if subjected to heat. Therefore it is recommended that room temperature is maintained, with no sudden temperature fluctuations.
- Make sure any spillage is wiped off immediately.
- Do not place hot or chilled items directly on to the surface, use a place mat or marking will occur.
- For general cleaning use a duster, and do not use detergents of any kind. However, the surface will need to be retreated from time to time. This can be done by using block wax (unperfumed) and rubbing it over the whole item.
- From time to time it may be necessary to tighten fittings, regular inspections should be carried out.








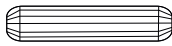
!
 * Use of power tools to assemble this product will invalidate any claim and damage this product making it unsafe !!!
 * Please assemble on a clean soft surface to avoid damage.

!
 * Please check contents and read the instructions before commencing assembly.
 * Assemble this product following the enclosed instructions carefully.
 * Please take care to avoid damaging panels during assembly.

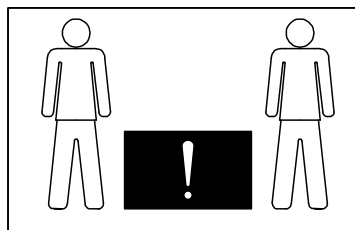
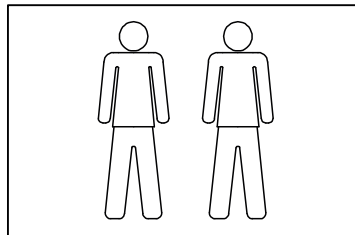
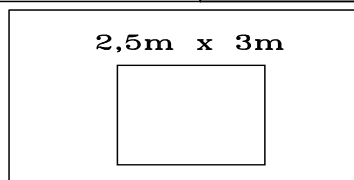
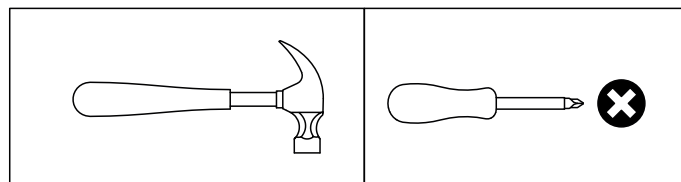
PARTS LIST

Part Number	Part Code	Part Description	Quantity	Carton
01	S400-401-162-KK1-01T	Table Top	1	1/1
02	S400-401-162-KK1-02T	Table Leg (Blue Marking)	2	1/1
03	S400-401-162-KK1-03T	Table leg (Yellow Marking)	2	1/1
04	S400-401-162-KK1-04T	Frame Side	2	1/1
05	S400-401-162-KK1-05T	Frame Side (Blue Marking)	2	1/1

FITTINGS

A	 GLUE	01	D		01
B	 3,5 x 35	08	E	 Ø7,0 x 70	04
C	 Ø7,0 x 110	04	F	 8 x 40	08

TOOLS REQUIRED




STEP 1

PARTS REQUIRED

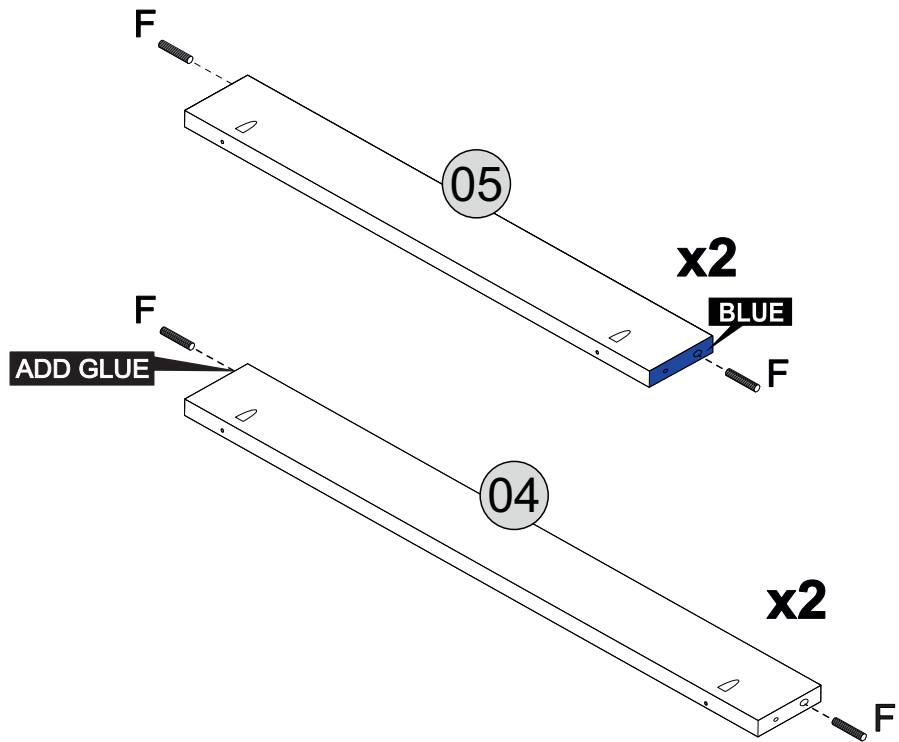
04 - FRAME SIDE x2

05 - FRAME SIDE(BLUE MARKING) x2

HARDWARE REQUIRED

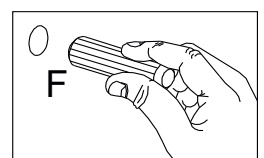
F  08
8 x 40

TOOLS REQUIRED



!
Please assemble on a clean soft surface to avoid damage.

!
Glue must be added to the dowel holes on parts 04 and 05.



STEP 2

PARTS REQUIRED


02 - TABLE LEG(BLUE MARKING) x2

03 - TABLE LEG(YELLOW MARKING) x2

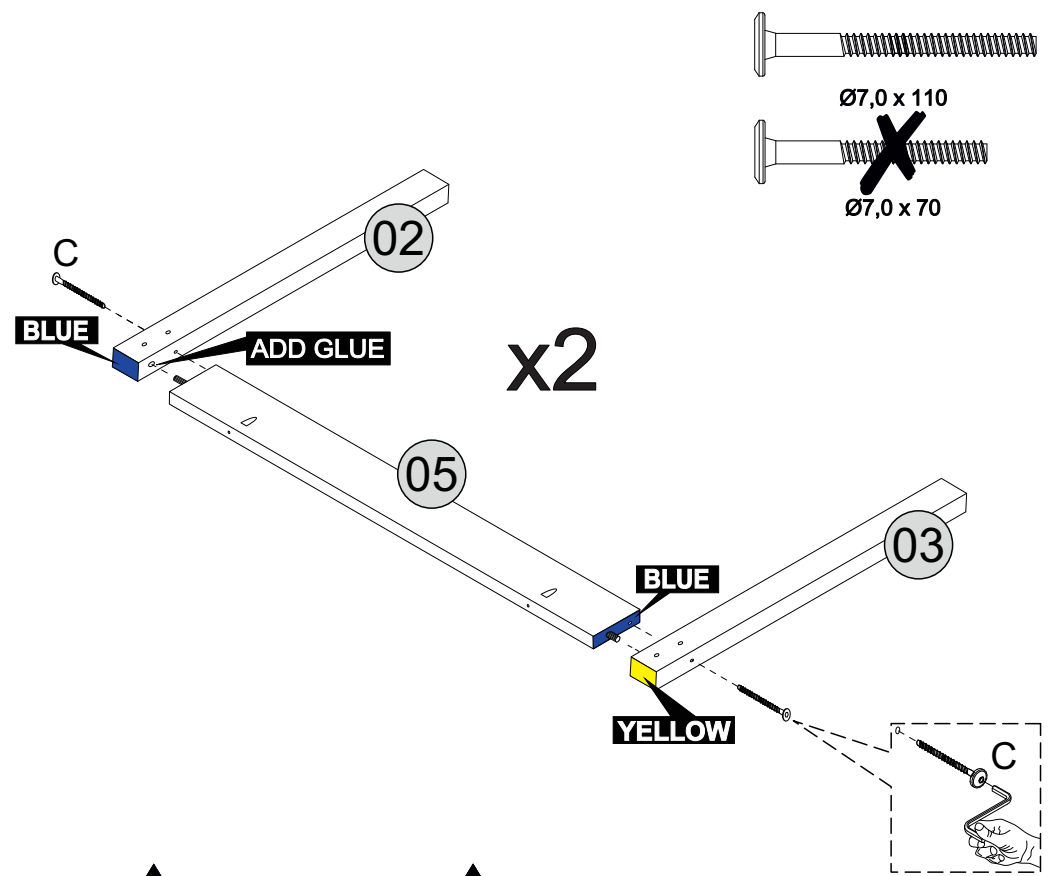
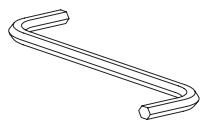
05 - FRAME SIDE(BLUE MARKING) x2

HARDWARE REQUIRED

A  01
GLUE

C  04
Ø7,0 x 110

TOOLS REQUIRED



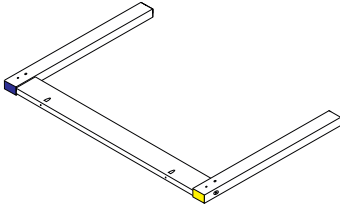
!
Please assemble on a clean soft surface to avoid damage.

!
Glue must be added to the dowel holes on parts 02 and 03.

STEP 3

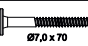
PARTS REQUIRED

04 - FRAME SIDE x2

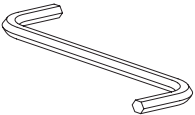


HARDWARE REQUIRED

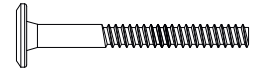
A  01

E  02

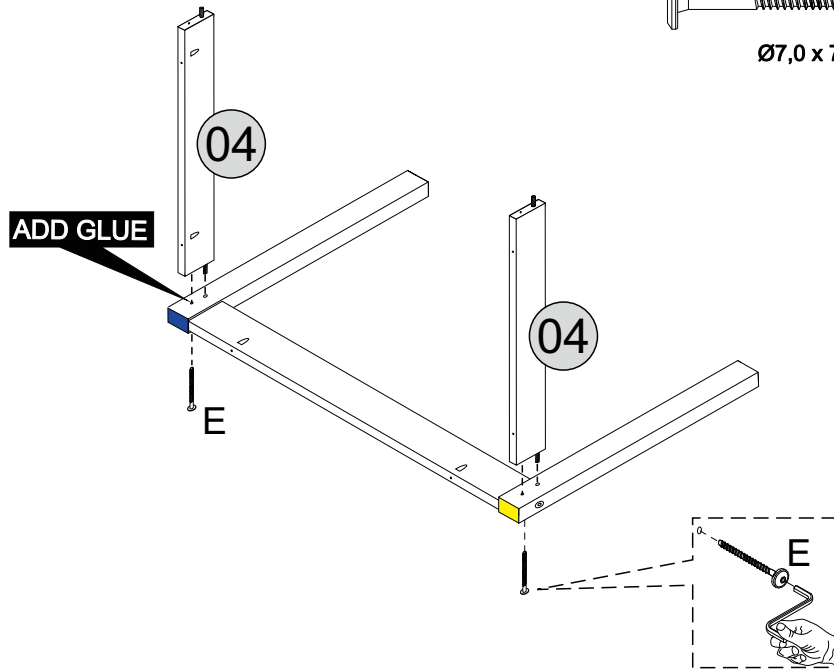
TOOLS REQUIRED



Ø7,0 x 110



Ø7,0 x 70



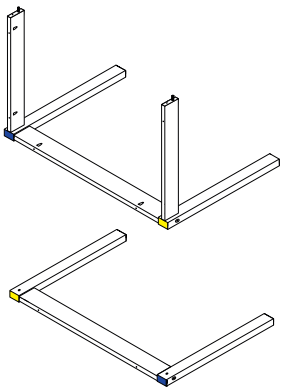
Please assemble on a clean soft surface to avoid damage.



Glue must be added to the dowel holes on parts 02 and 03.

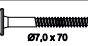
STEP 4

PARTS REQUIRED

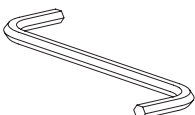


HARDWARE REQUIRED

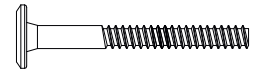
A  01

E  02

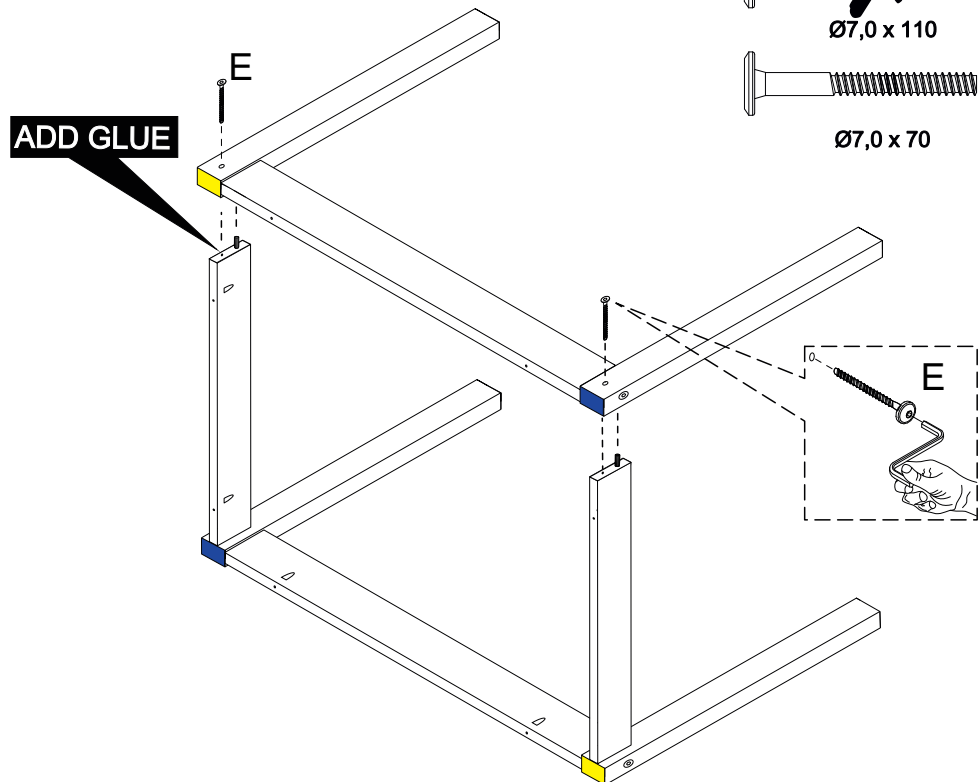
TOOLS REQUIRED



Ø7,0 x 110



Ø7,0 x 70



Please assemble on a clean soft surface to avoid damage.

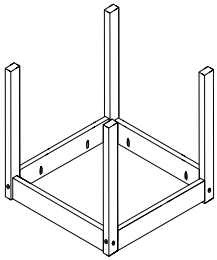


Glue must be added to the dowel holes on parts 02 and 03.

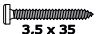
STEP 5

PARTS REQUIRED

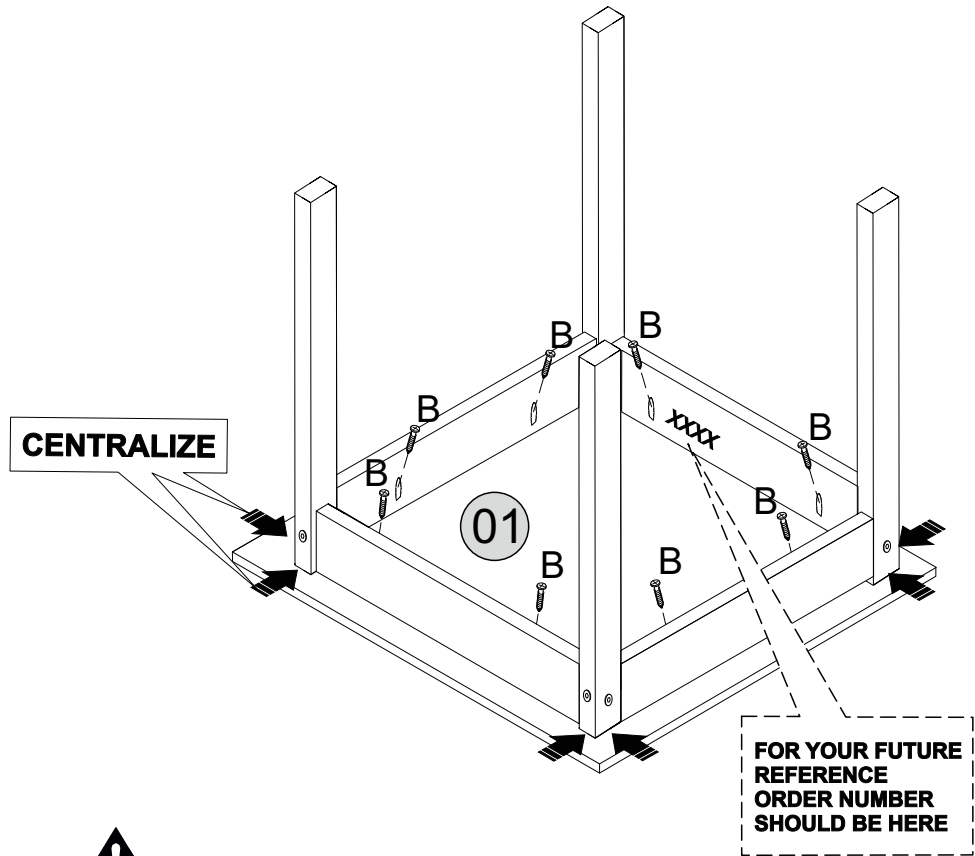
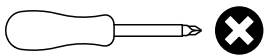
01 - TABLE TOP x1



HARDWARE REQUIRED

B  08
3,5 x 35

TOOLS REQUIRED



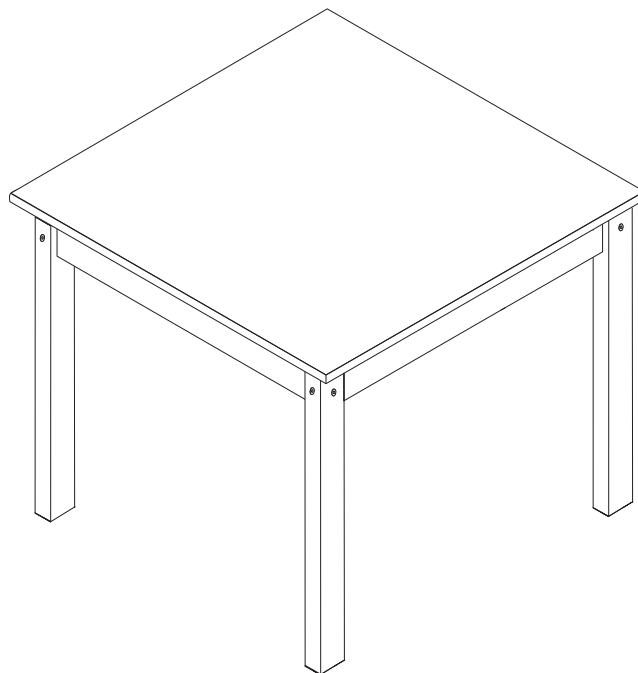

Please assemble on a clean soft surface to avoid damage.

STEP 6

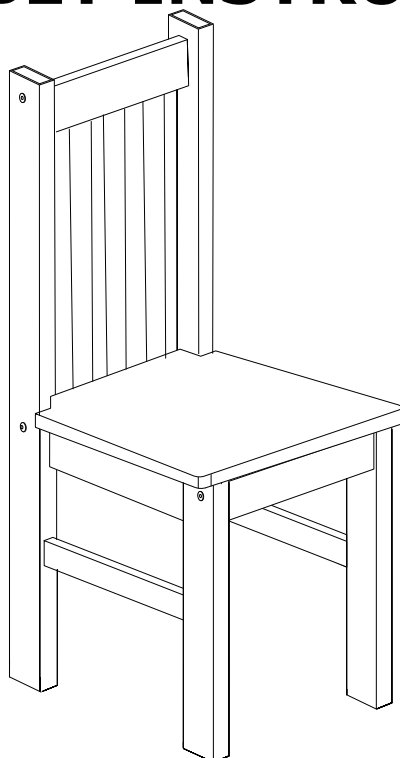
PARTS REQUIRED

HARDWARE REQUIRED

TOOLS REQUIRED



GREY LUDLOW DINING CHAIR TABLE ASSEMBLY INSTRUCTIONS



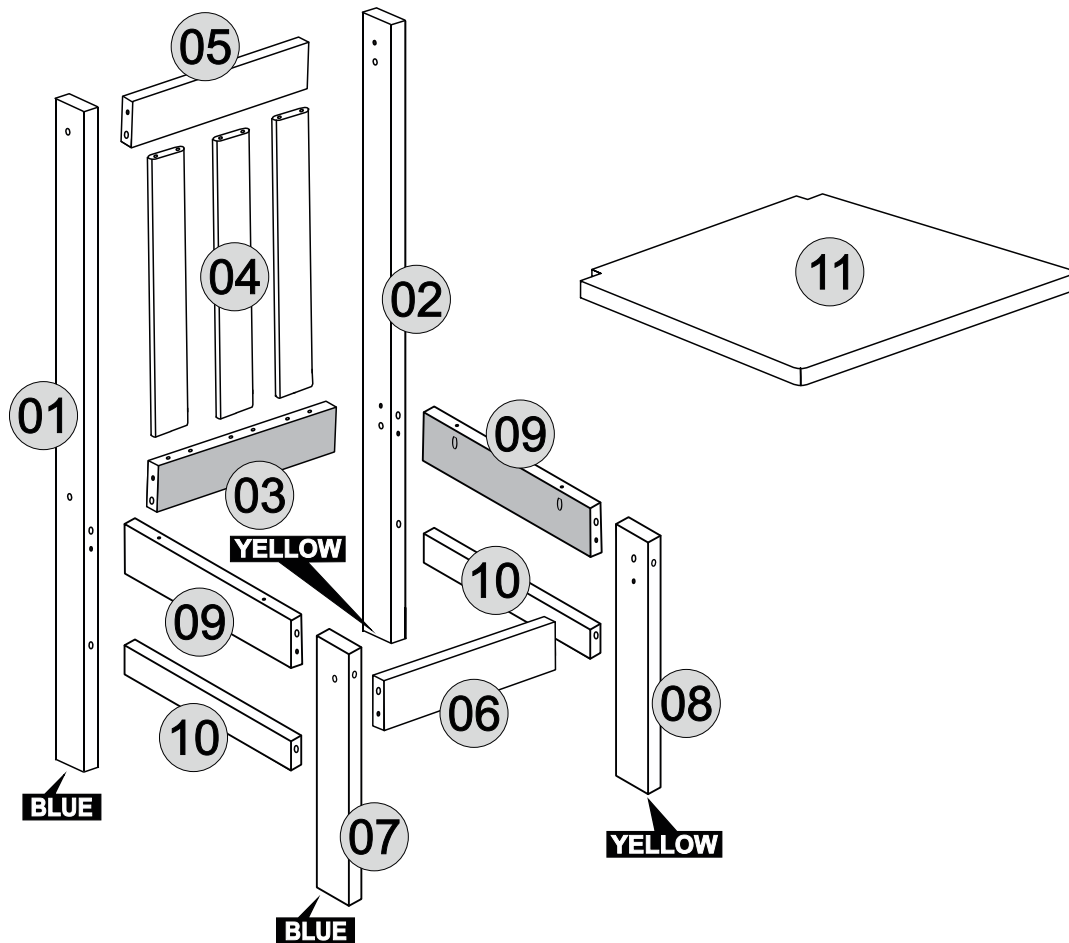
IMPORTANT FOR DOMESTIC USE ONLY

PLEASE READ BEFORE YOU CONTINUE FURTHER

CARE AND MAINTENANCE

After unpacking this product please keep the original packaging in case it needs to be returned for any reason.

- Please ensure all fittings and parts are present before commencing with assembly.
- We recommend that you lay a blanket or sheet on the floor to avoid damage to both your floor and the product.
- We strongly recommend that you keep children away from your work area.
- Assemble this product as close to its final position as possible.
- Never drag or push products as this could cause damage to the joints making it inferior.
- Do not place this product next to a radiator or in direct sunlight.
- Wood is a natural product and may expand if subjected to damp and may shrink or crack if subjected to heat. Therefore it is recommended that room temperature is maintained, with no sudden temperature fluctuations.
- Make sure any spillage is wiped off immediately.
- Do not place hot or chilled items directly on to the surface, use a place mat or marking will occur.
- For general cleaning use a duster, and do not use detergents of any kind. However, the surface will need to be retreated from time to time. This can be done by using block wax (unperfumed) and rubbing it over the whole item.
- From time to time it may be necessary to tighten fittings, regular inspections should be carried out.






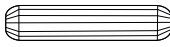
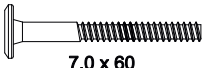



!
 * Use of power tools to assemble this product will invalidate any claim and damage this product making it unsafe !!!
 * Please assemble on a clean soft surface to avoid damage.

!
 * Please check contents and read the instructions before commencing assembly.
 * Assemble this product following the enclosed instructions carefully.
 * Please take care to avoid damaging panels during assembly.

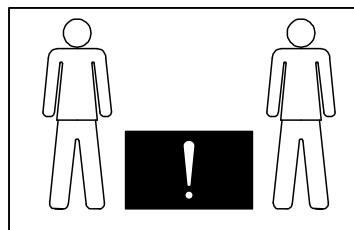
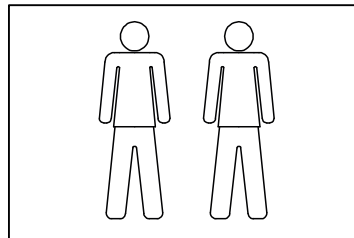
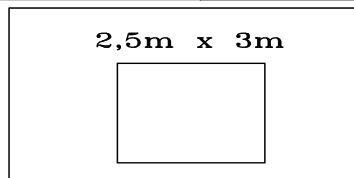
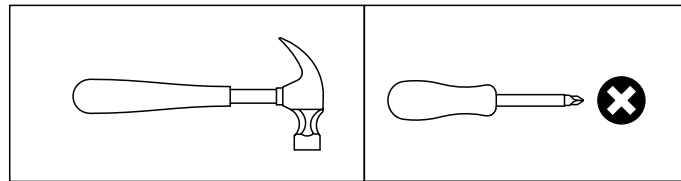
PARTS LIST

Part Number	Part Code	Part Description	Quantity	Carton
01	S400-401-162-KK1-01C	Back Leg Left(Blue Marking)	1	1/1
02	S400-401-162-KK1-02C	Back Leg Right(Yellow Marking)	1	1/1
03	S400-401-162-KK1-03C	Back Seat Rail	1	1/1
04	S400-401-162-KK1-04C	Spindles	3	1/1
05	S400-401-162-KK1-05C	Back Rail	1	1/1
06	S400-401-162-KK1-06C	Front Seat Rail	1	1/1
07	S400-401-162-KK1-07C	Front Leg Left(Blue Marking)	1	1/1
08	S400-401-162-KK1-08C	Front Leg Right(Yellow Marking)	1	1/1
09	S400-401-162-KK1-09C	Side Seat Rail	2	1/1
10	S400-401-162-KK1-10C	Stretcher	2	1/1
11	S400-401-162-KK1-11C	Seat Pad	1	1/1

FITTINGS

A	 GLUE	01	E	 7,0 x 90	04
B	 3,5 x 35	04	F	 10,0 x 40	14
C	 7,0 x 60	06	G	 8 x 40	12
D		01	H	 4,0 x 40	04

TOOLS REQUIRED



STEP 1

PARTS REQUIRED

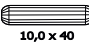
03 - BACK SEAT RAIL x1

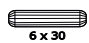
04 - SPINDLES x3

05 - BACK RAIL x1

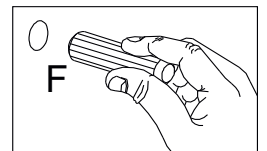
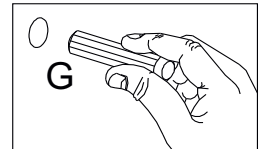
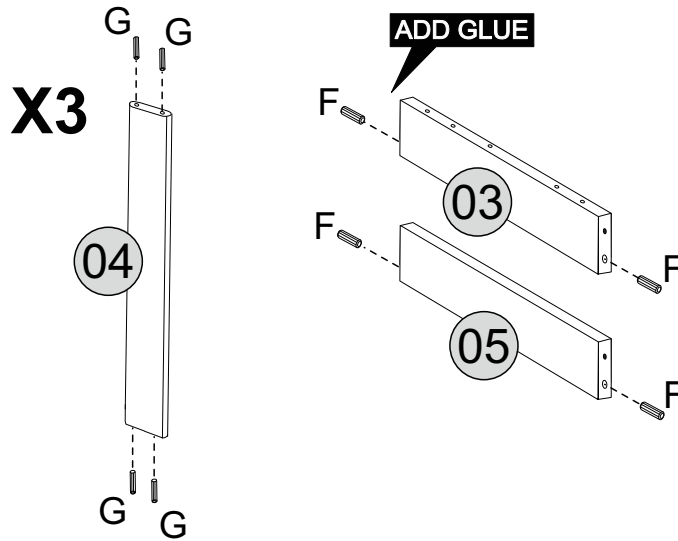
HARDWARE REQUIRED

A  01

F  04

G  12

TOOLS REQUIRED



!
Please assemble on a clean soft surface to avoid damage.

!
Glue must be added to the dowel holes on parts 03,04,05.

STEP 2

PARTS REQUIRED

03 - BACK SEAT RAIL x1

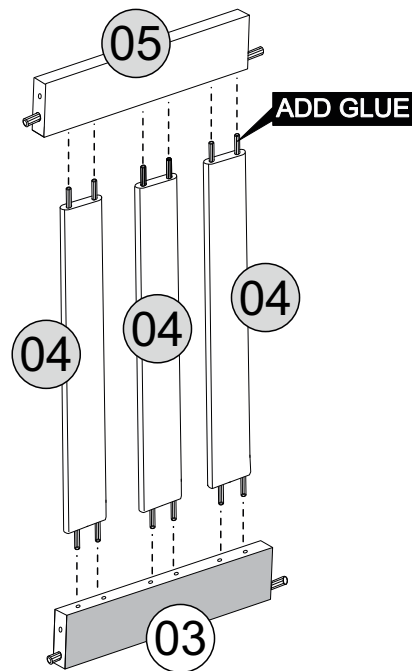
04 - SPINDLES x3

05 - BACK RAIL x1

HARDWARE REQUIRED

A  01

TOOLS REQUIRED



!
Please assemble on a clean soft surface to avoid damage.

!
Glue must be added to the dowel holes on parts 03 and 05.

STEP 3

PARTS REQUIRED

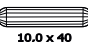
06 -FRAME SIDE(BLUE MARKING) x1

09 -FRAME SIDE x2

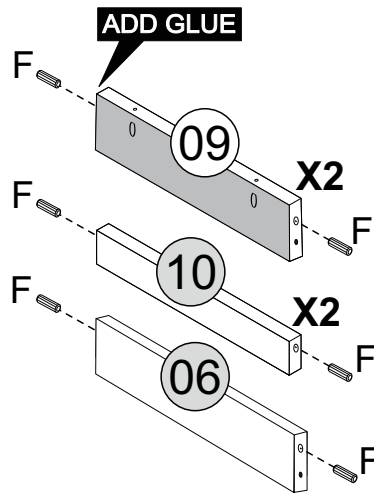
10 -FRAME SIDE(BLUE MARKING) x2

HARDWARE REQUIRED

A  01

F  10,0 x 40 10

TOOLS REQUIRED



Please assemble on a clean soft surface to avoid damage.



Glue must be added to the dowel holes on parts 06,09,10.

STEP 4

PARTS REQUIRED

01 - BACK LEG LEFT(BLUE) x1


07 - FRONT LEG LEFT(BLUE) x1


09 - SIDE SEAT RAIL x1

10 - STRETCHER x1

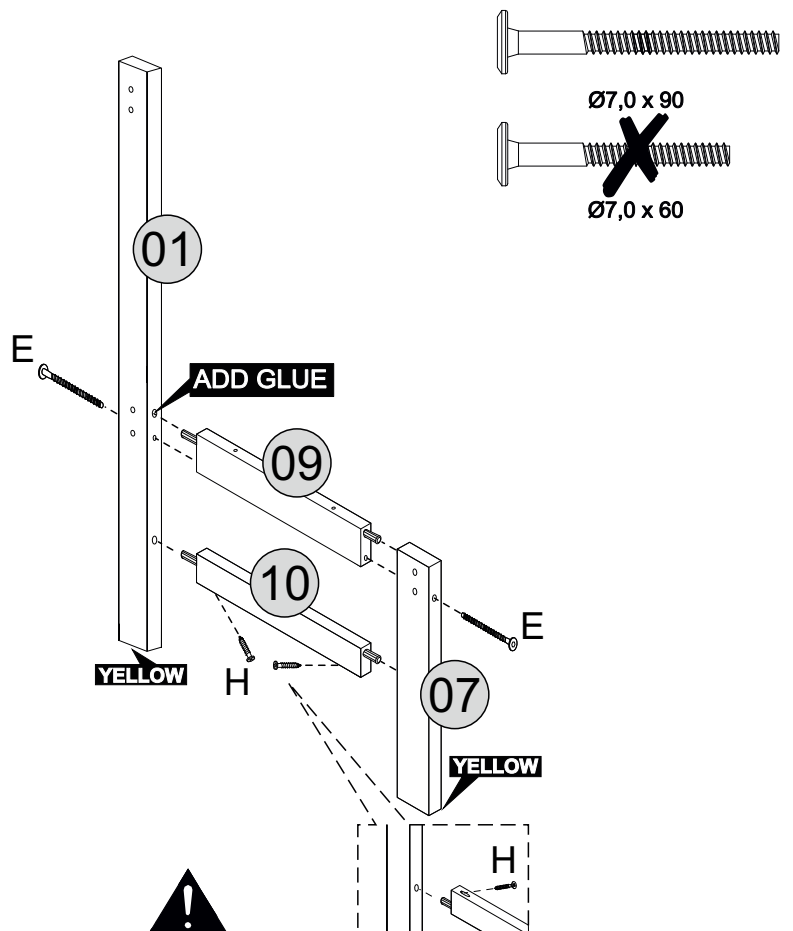
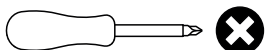
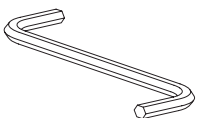
HARDWARE REQUIRED

A  01

E  7,0 x 90 02

H  4,0 x 40 02

TOOLS REQUIRED



Please assemble on a clean soft surface to avoid damage.



Glue must be added to the dowel holes on parts 01 and 07.

STEP 5

PARTS REQUIRED

02 - BACK LEG RIGHT(YELLOW)x1

08 - FRONT LEG RIGHT(YELLOW)x1


09 - SIDE SEAT RAIL x1

10 - STRETCHER x1

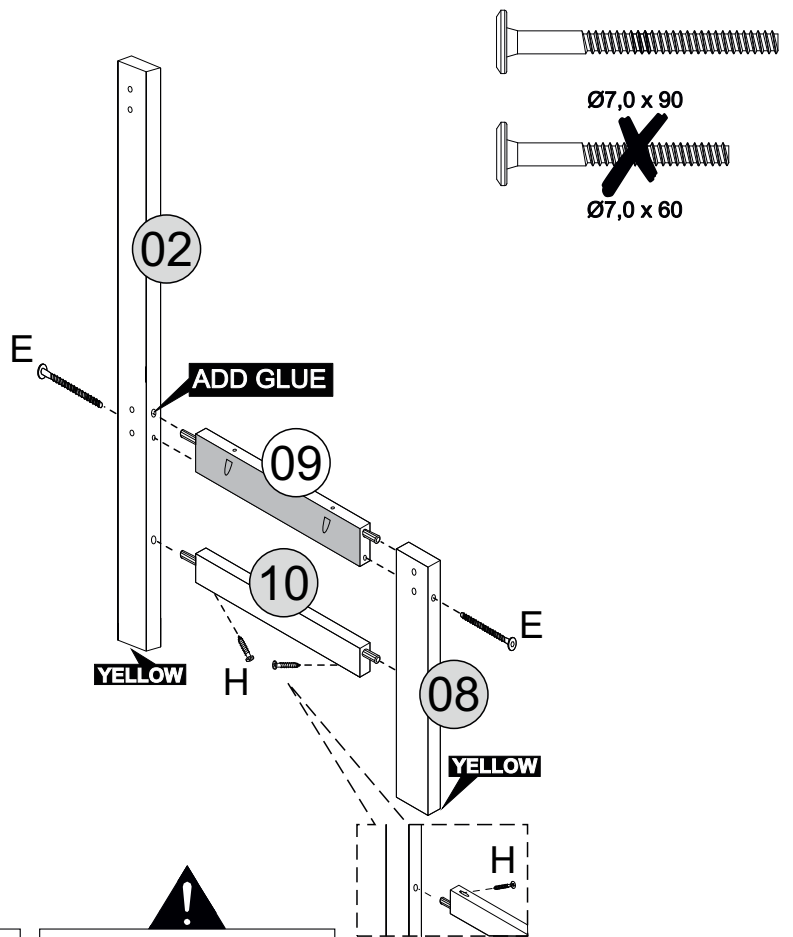
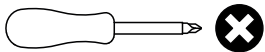
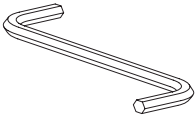
HARDWARE REQUIRED

A  01


E  7,0 x 90 02

H  4,0 x 40 02

TOOLS REQUIRED



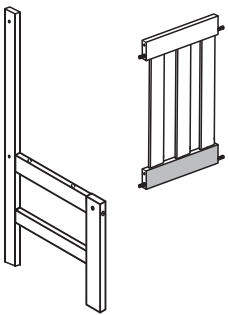
 Please assemble on a clean soft surface to avoid damage.

 Glue must be added to the dowel holes on parts 02 and 08.

STEP 6

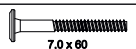
PARTS REQUIRED

06 - FRONT SEAT RAIL x1

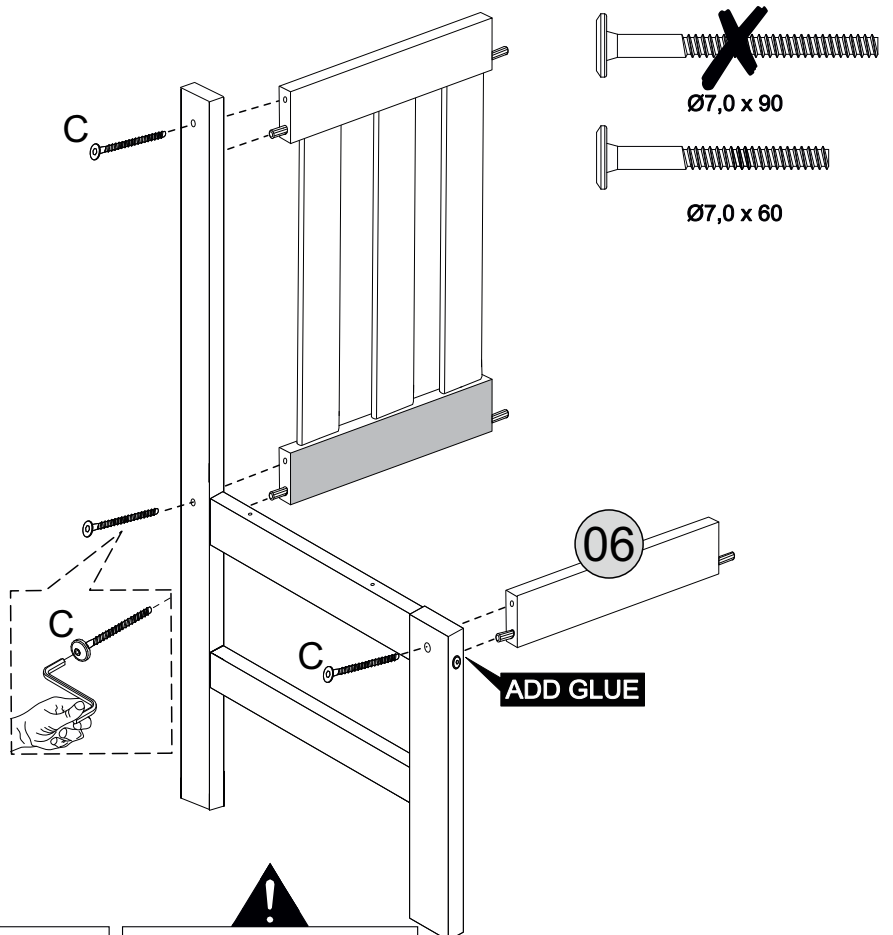
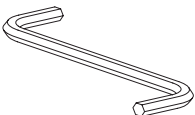


HARDWARE REQUIRED

A  01

C  7,0 x 60 03

TOOLS REQUIRED

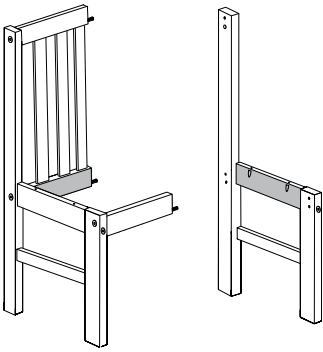


 Please assemble on a clean soft surface to avoid damage.


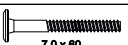
 Glue must be added to the dowel holes on the chair side.

STEP 7

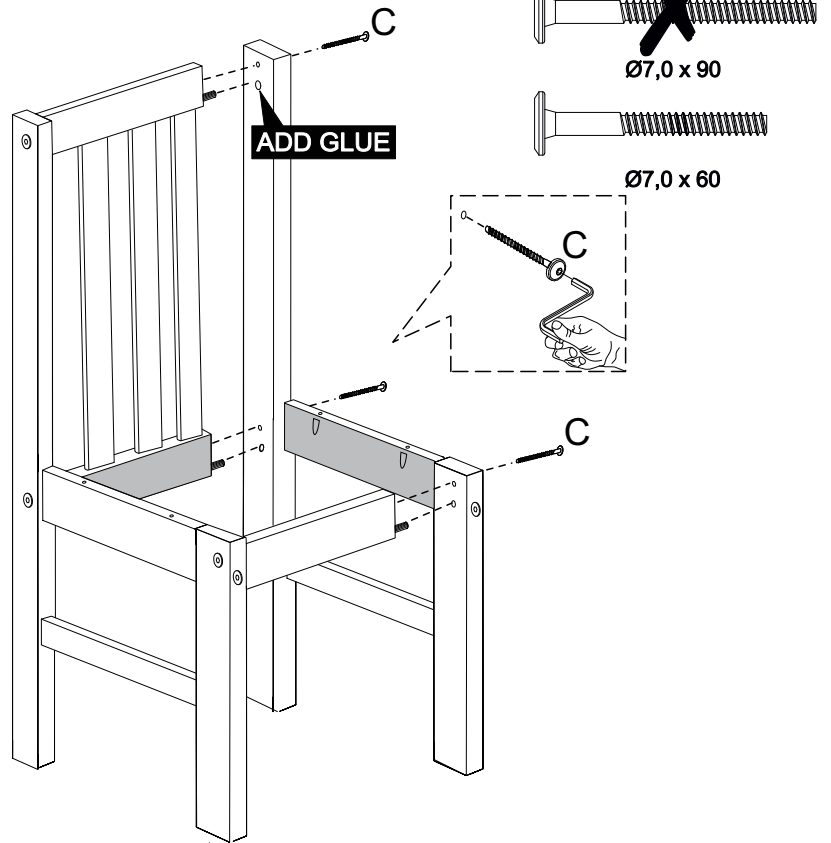
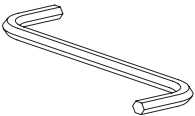
PARTS REQUIRED



HARDWARE REQUIRED

A	 GLUE	01
C	 7,0 x 60	03

TOOLS REQUIRED



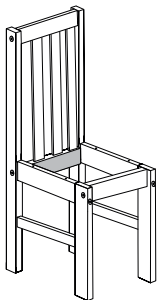
!
Please assemble on a clean soft surface to avoid damage.

!
Glue must be added to the dowel holes on the chair side.

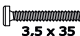
STEP 8

PARTS REQUIRED

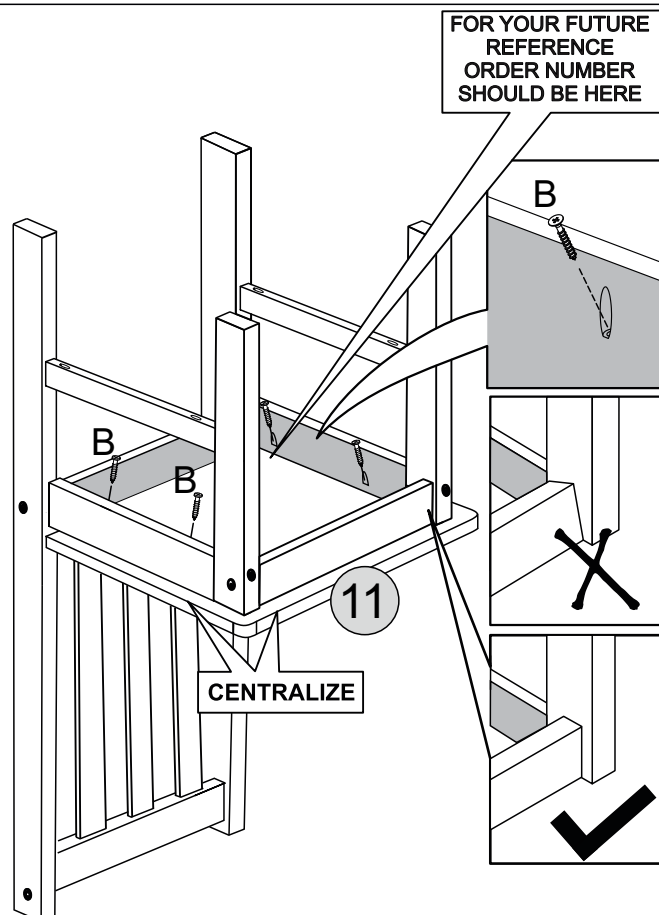
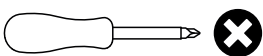
11 - SEAT PAD	x1
---------------	----



HARDWARE REQUIRED

B	 3,5 x 35	04
---	--	----

TOOLS REQUIRED



!
Please assemble on a clean soft surface to avoid damage.

STEP 9

PARTS REQUIRED

HARDWARE REQUIRED

TOOLS REQUIRED

IMPORTANT NOTICE

Please allow at least 4 hours for the glue to dry before using your new chairs. If you don't follow these instructions it will affect the strength of the chair and might void your warranty.

STEP 10

PARTS REQUIRED

HARDWARE REQUIRED

TOOLS REQUIRED

