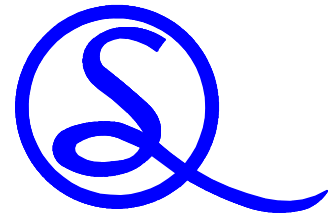
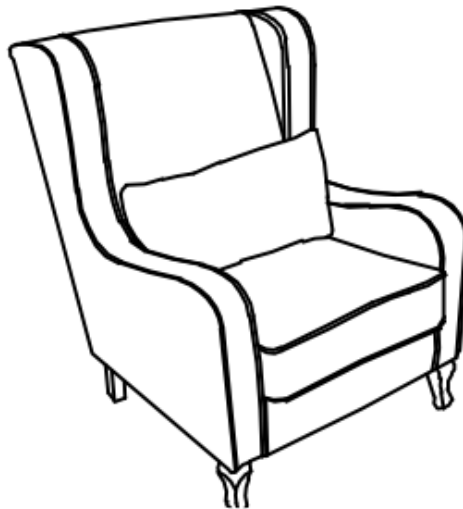


# SHERBORNE FIRESIDE CHAIR ASSEMBLY INSTRUCTIONS



## **IMPORTANT**

**FOR DOMESTIC USE ONLY**

**PLEASE READ BEFORE YOU CONTINUE FURTHER**

**THE PRODUCT YOU HAVE PURCHASED WILL GIVE YOU MANY YEARS OF SERVICE IF YOU FOLLOW THE GUIDELINES FOR ITS SAFE ASSEMBLY AND PERIODIC MAINTENANCE AND CLEANING.**

**ASSEMBLE ON A SOFT CLEAN SURFACE.**

**DO NOT USE ANY TOOLS OTHER THAN THOSE SHOWN**

**ANY SPANNERS OR ALLEN KEYS REQUIRED ARE INCLUDED WITH THE FITTINGS KIT.**

**DO NOT FOR ANY REASON USE A POWER TOOL TO ASSEMBLE THIS PRODUCT.ITS USE WILL INVALIDATE ANY CLAIM YOU MAY HAVE AND COULD MAKE THIS PRODUCT UNSAFE.**

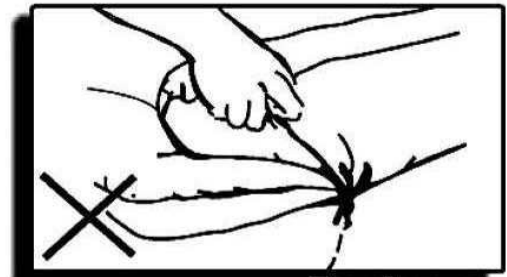
**DEPENDING ON THE AMOUNT OF USE THIS PRODUCT RECEIVES IT MAY BE NECESSARY TO TIGHTEN UP THE FIXINGS FROM TIME TO TIME.THIS IS COMPLETELY NORMAL FOR ANY FLAT PACK FURNITURE.  
DO NOT OVERTIGHTEN FIXINGS.**

**FOR CLEANING YOU MAY USE A DAMP CLOTH(NOT WET).**

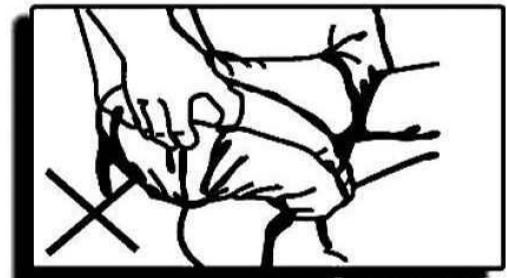
**THIS PRODUCT MAY STAIN OR MARK IF ALLOWED TO COME INTO CONTACT WITH WET OR DAMP OBJECTS AS MATERIALS USED HAVE NOT BEEN TREATED WITH SCOTCH GUARD.**

## Fragile Spots

Be careful, do not grip at fragile spots where they can be damaged easily.



Back rest

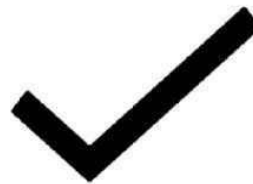







Arm rest


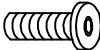




## Moving .....

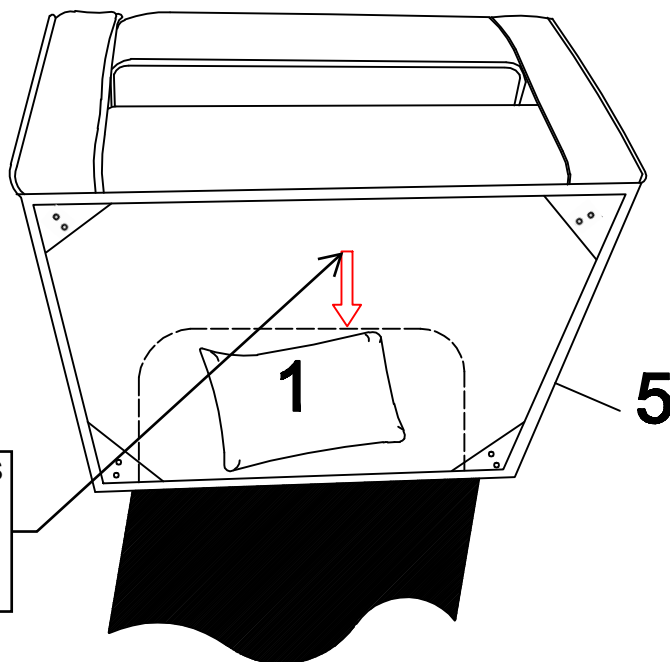
Hold the side and bottom of sofa while moving.



<b>PARTS LIST</b>				
<b>1</b>	<b>2</b>	<b>3</b>	<b>4</b>	<b>5</b>
				
<b>THROW PILLOW</b>	<b>FRONT LEGS</b>	<b>LEFT REAR LEG</b>	<b>RIGHT REAR LEG</b>	<b>CHAIR BODY</b>

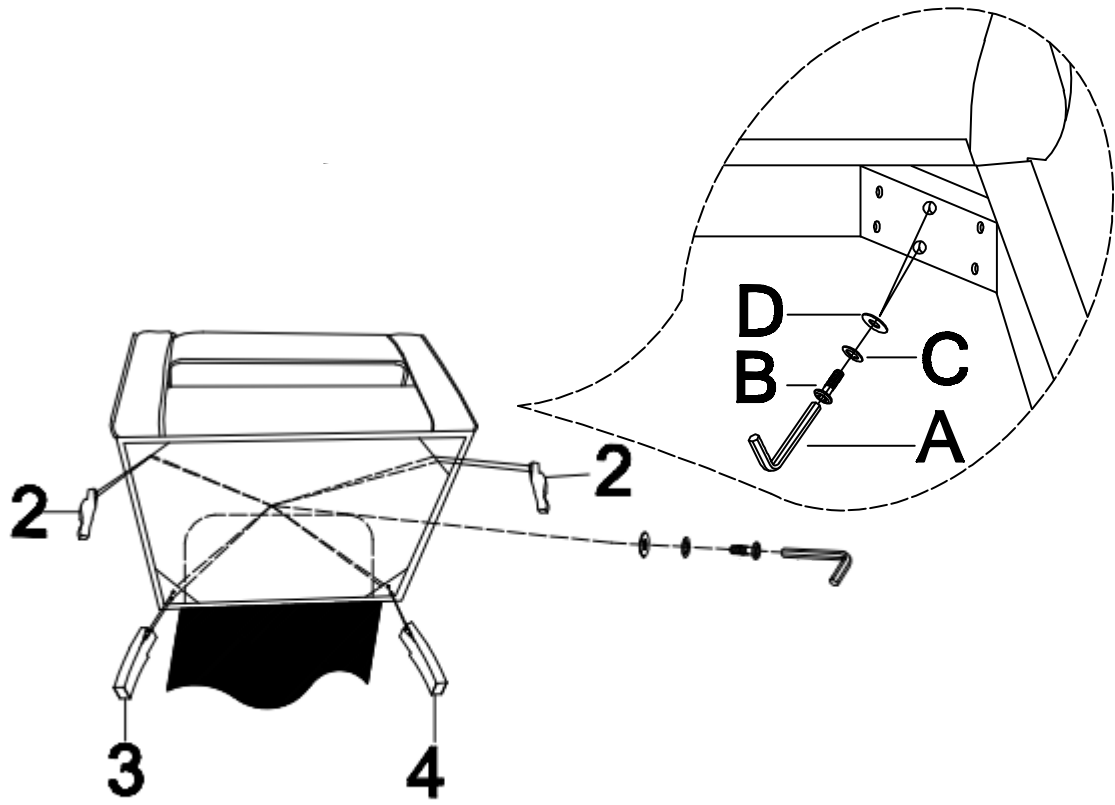
<b>HARDWARE LIST</b>			
<b>A</b>	<b>B</b>	<b>C</b>	<b>D</b>
			
<b>5MM X1 ALLEN KEY</b>	<b>Ø5/16"X2-1/4" X8 ALLEN BOLT</b>	<b>Ø5/16" X8 SPRING WASHER</b>	<b>Ø5/16"X19mm X8 FLAT WASHER</b>

**STEP 1**



THE THROW PILLOW IS LOACTED IN THE COMPARTMENT ON THE UNDERSIDE OF THE CHAIR.

**STEP 2**



**STEP 3**

