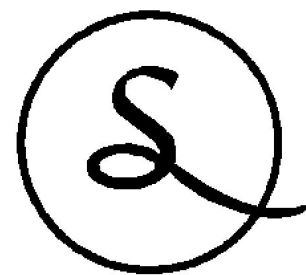
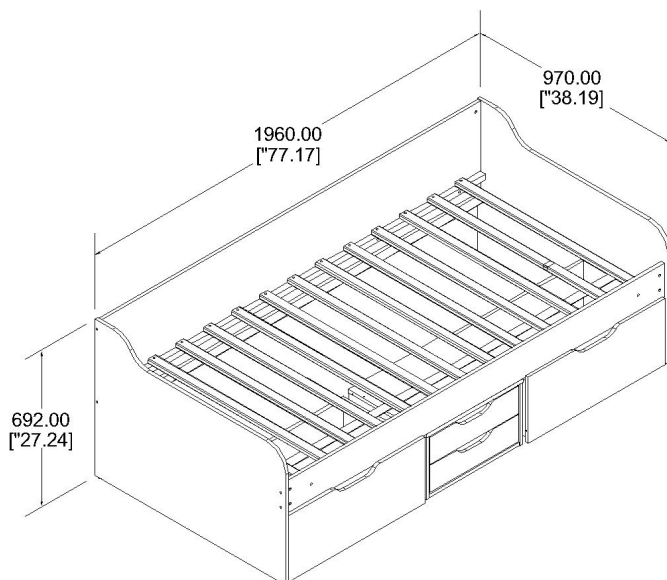


Model : DANTE DAY BED

Product Size : 920mm x 1930mm (Base Int Size)

Thank you for purchasing this product. Before starting assembly we suggest you spend a short time reading through this leaflet, then follow the simple step by step guide.
Two people are needed to assemble this product.



TOP TIPS BEFORE YOU START !

IMPORTANT- READ CAREFULLY- RETAIN FOR FUTURE REFERENCE

1. Please check that all parts & hardware are present before you start the assembly of your furniture.
2. For ease and speed of assembly, we recommend that before you commence each step of the assembly, Please identify all the parts required for that step.
3. We recommend that where possible, all items are assembled near to the area in which they will be placed in use, to Avoid moving the product unnecessarily once assembled.
4. For the protection of your furniture, particularly items of high gloss finish, we recommend that the product is placed on a Protected surface during assembly to prevent any damage.
6. During assembly please take care not to over-tighten any fittings, as this may damage the product.

CARE AND MAINTENANCE OF YOUR FURNITURE

- Please periodically check all fittings and re-tighten as necessary.
- To clean your item, please use a damp cloth and wipe clean.
- Never allow any kind of liquid to remain on your furniture. Absorption can cause wood to warp or finishes to de-laminate.
- Please do not place hot items (e.g hot drinks) directly on the wood surface.
- Please do not drag or pull your furniture.

IMPORTANT INFORMATION

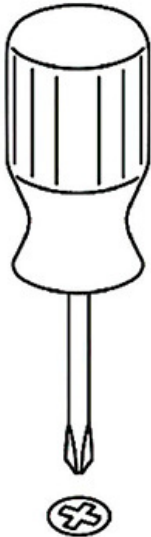
1. Thickness of mattress should not exceed 150mm.
2. Children should be discouraged from playing on top of this day bed.
3. The bed should be checked periodically by the owner to ensure that the guardrail and other components are maintained in the correct position and state of repair and that all connectors are tight.

Guide To Assembly

Model : DANTE DAY BED

Tools Required For Assembly

Phillips Screw Driver



DO NOT USE POWER TOOLS TO ASSEMBLE THIS PRODUCT. USE OF POWER TOOLS WILL INVALIDATE ANY CLAIM AND MAY DAMAGE THIS PRODUCT MAKING IT UNSAFE.

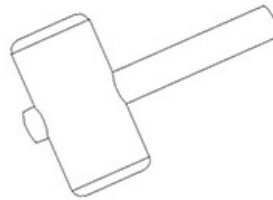


Approximately 1 hour 20min

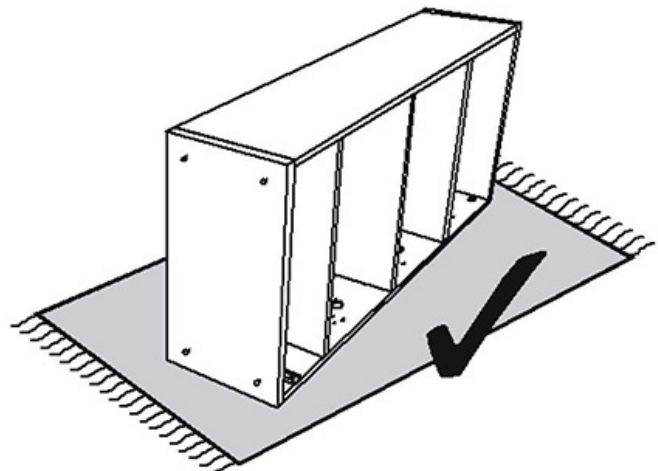
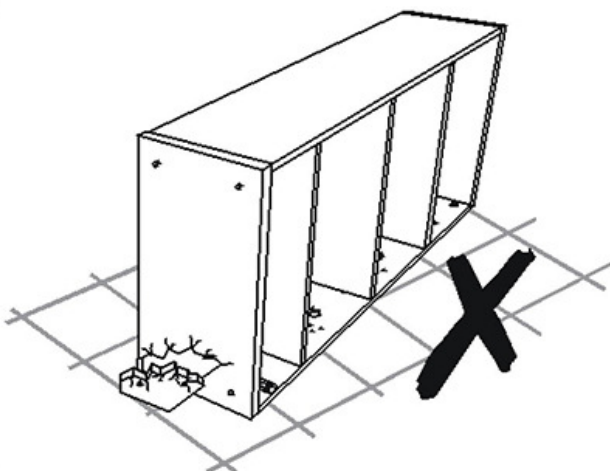
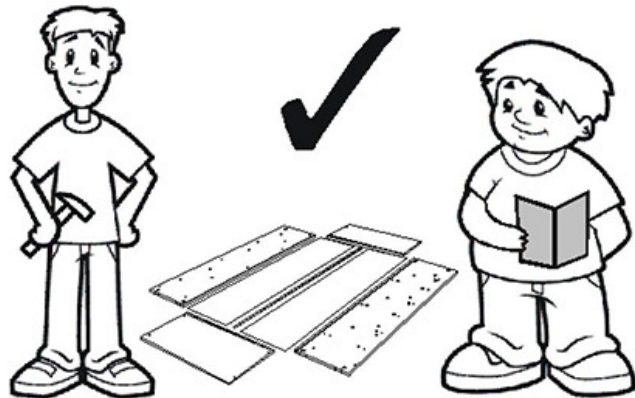
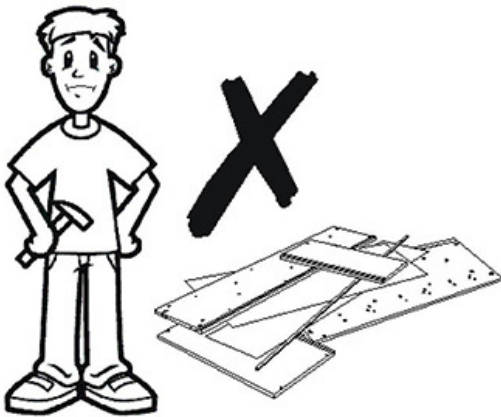


2 People Required

Rubber Hammer



Measure



Part List & Fitting List

Model : DANTE DAY BED

Carton 1 of 2

No.	Part Name	Pcs
12	Back Panel (Big Drawer)	2
13	Left Panel (Big Drawer)	2
14	Right Panel (Big Drawer)	2
15	Bottom Panel (Big Drawer)	2
16	Bottom Support (Big Drawer)	4
17	Front Panel (Big Drawer)	2
18	L & R Side Panel	2

Carton 2 of 2

01	Left Panel (Chest of 2 Drawers)	1
02	Bottom Back Crossbar (Chest of 2 Drawers)	1
03	Bottom Front Crossbar (Chest of 2 Drawers)	1
04	Top Panel (Chest of 2 Drawers)	1
05	Back Panel (Chest of 2 Drawers)	1
06	Right Panel (Chest of 2 Drawers)	1
07	Back Panel (Drawer)	2
08	Left Panel (Drawer)	2
09	Right Panel (Drawer)	2
10	Bottom Panel (Drawer)	2
11	Front Panel (Drawer)	2
19	Back Side Rail	1
20	Front Side Rail	1
21	Solid Wood Slat Base (13 pcs)	1 set
22	Slat Support	2

Assembly Instructions + Fitting List

USEFUL HINTS & TIPS

Two people will be required to assemble this unit

Please keep this assembly instruction for future reference

Carton 2 of 2

Fitting List

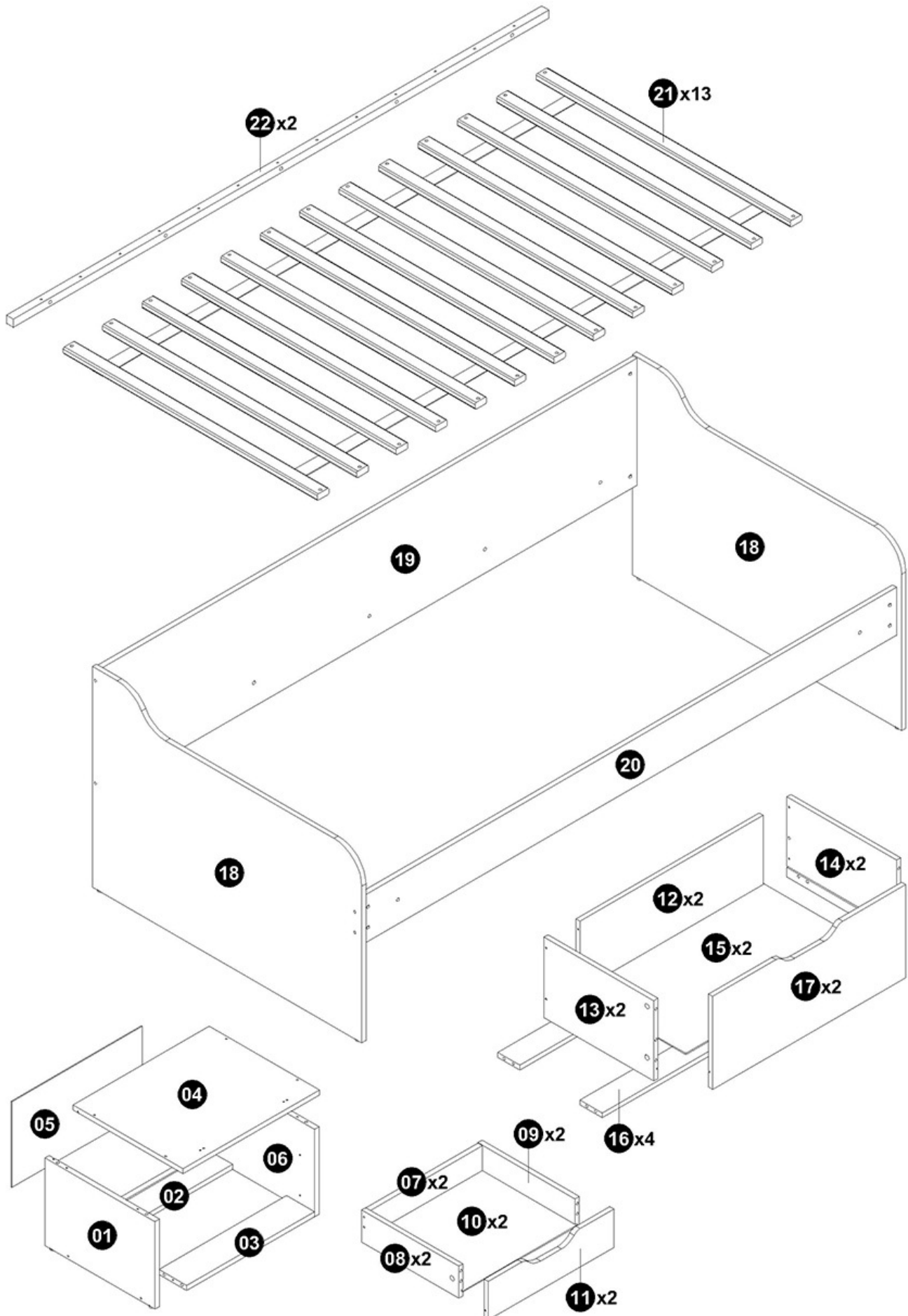
No.	Part Name		Pcs
A	Cam Bolt		12
B	Cam Nut		12
C	M8 x 25mm Wood Dowel		38
D	45mm Chipboard Screw		8
E	38mm Chipboard Screw		16
F	14mm Chipboard Screw		44
G	14" Drawer Slide (SJ)		2 set
H	40mm White Nylon Caster		8
J	6/8 L Bracket		2
K	M6 Round Nut		8
L	M6 x 50mm Allen Bolt		8
M	M6 x 35mm Allen Bolt		10
N	M6 x 30mm Allen Bolt		26
P	M6 JCN Nut		5
Q	M6 Allen Key		2

Caution

There are many small components used in the construction of this unit. These loose items should be kept away from young children whilst assembling your unit. As an extra precaution, screw cover caps should be permanently fixed in position. (Where applicable)

Part List

Model : DANTE DAY BED

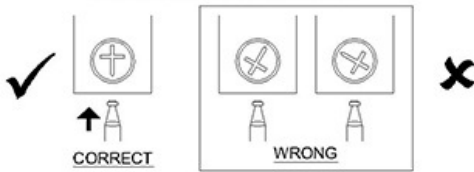


Guide To Assembly

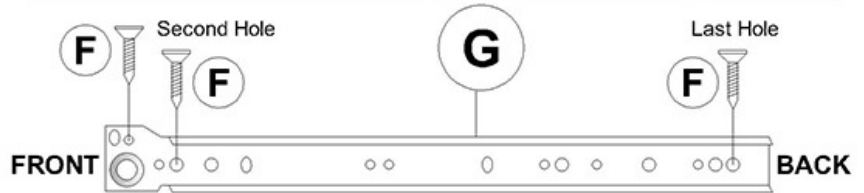
Model : DANTE DAY BED

WHEN FITTING CAMS





ENSURE STARTING POSITION IS CORRECT
BEFORE YOU INSERT CONNECTING BOLT
TURN CLOCKWISE UNTIL SECURE

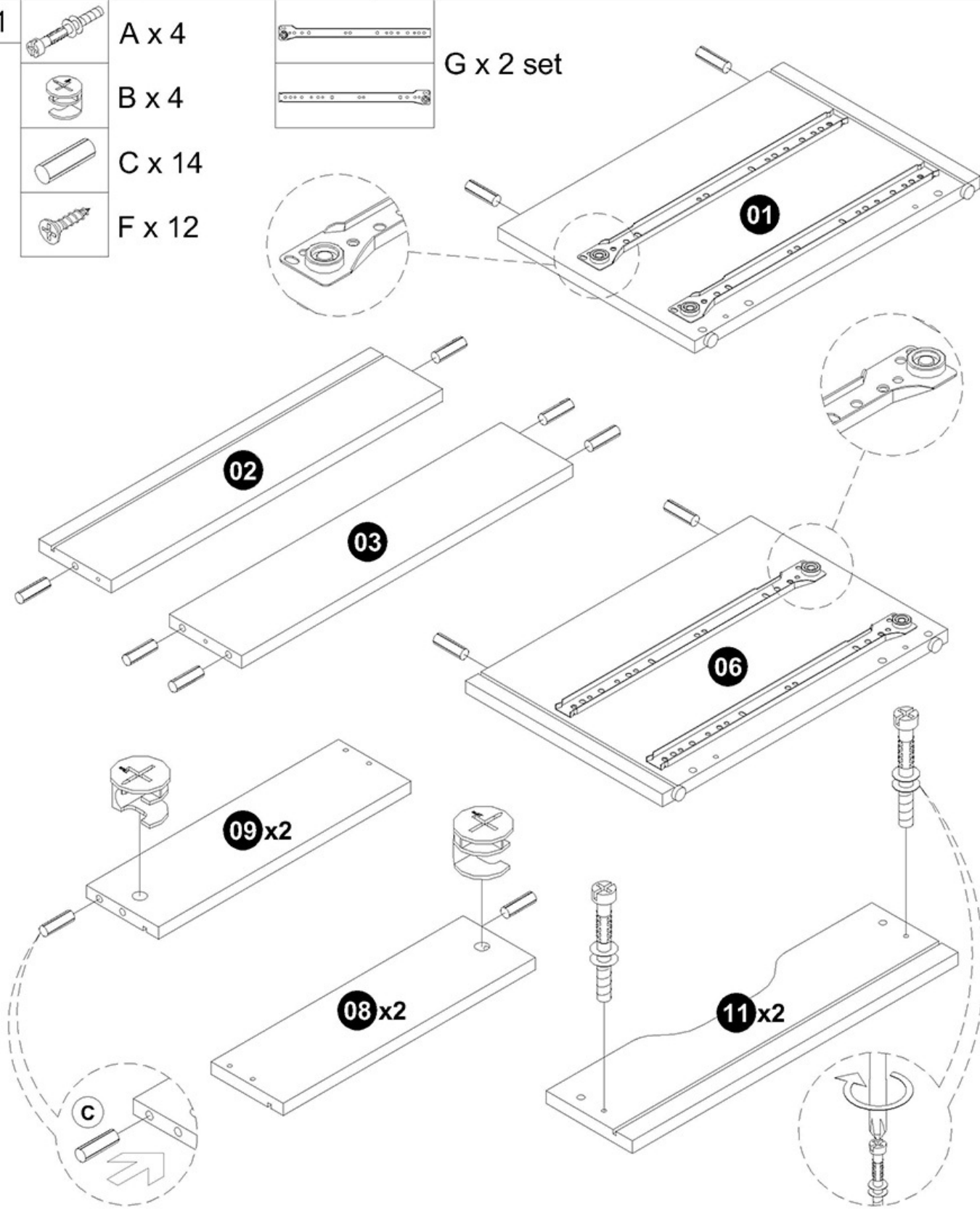
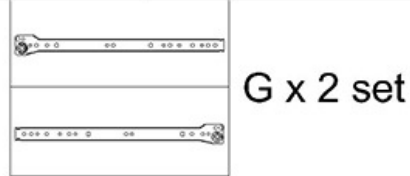


To assemble the Drawer Slide, Please Follow Step as Below



1

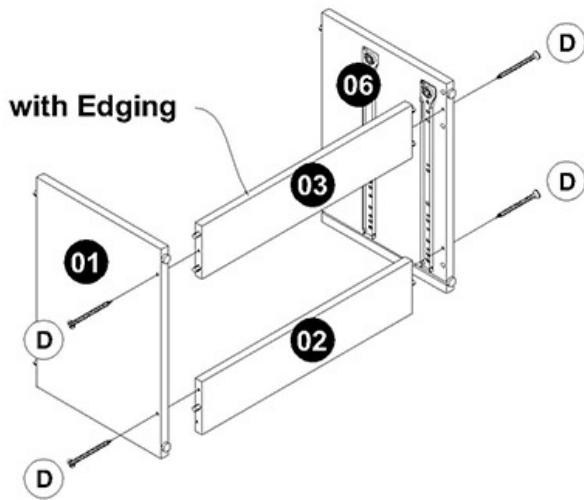
-  A x 4
-  B x 4
-  C x 14
-  F x 12



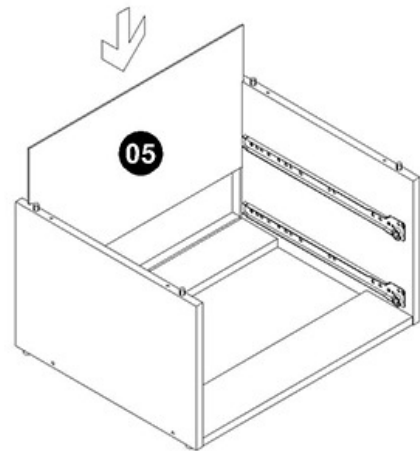
Guide To Assembly

Model : DANTE DAY BED

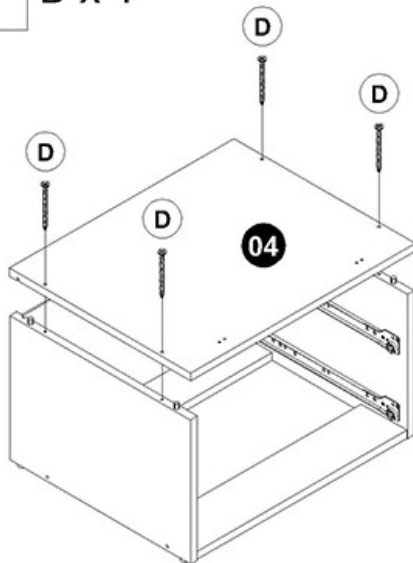
2  D x 4



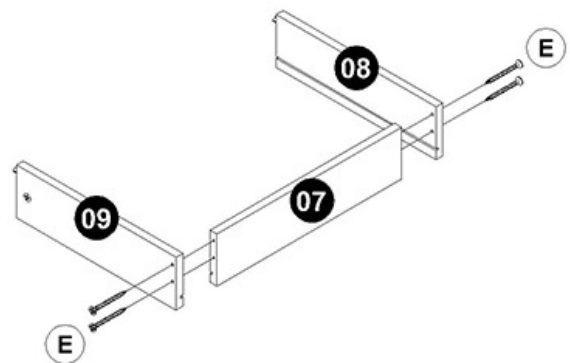
3



4  D x 4

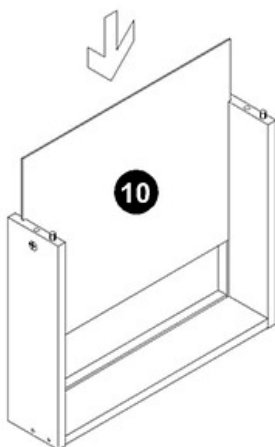


5  E x 8

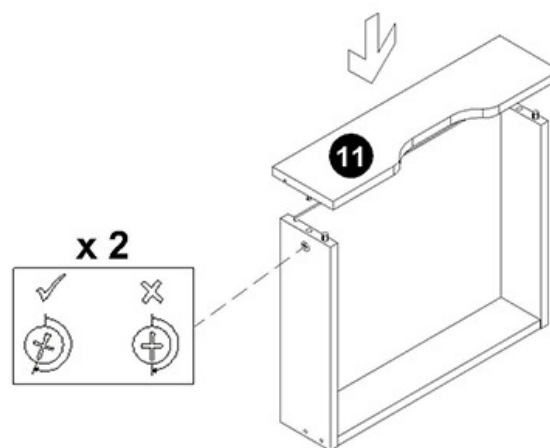


Repeat this step twice

6



7

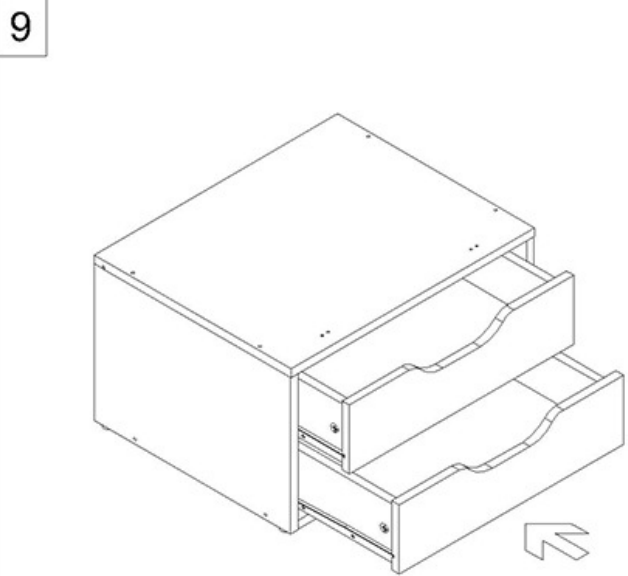
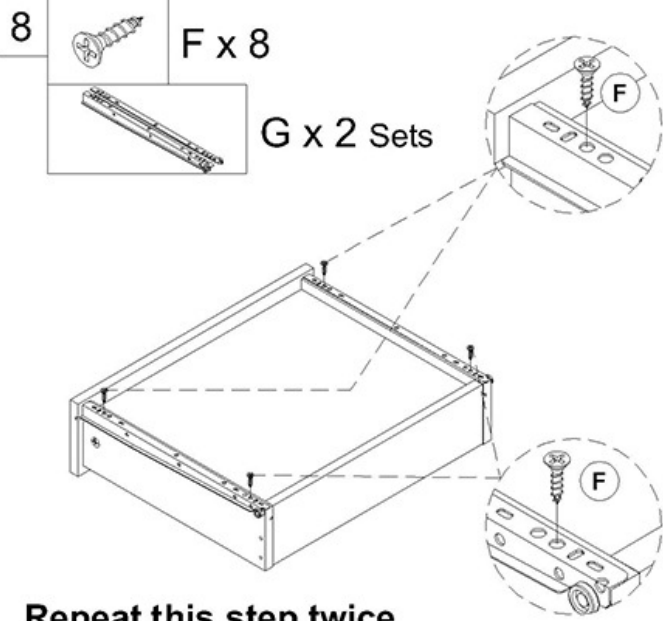


Repeat this step twice

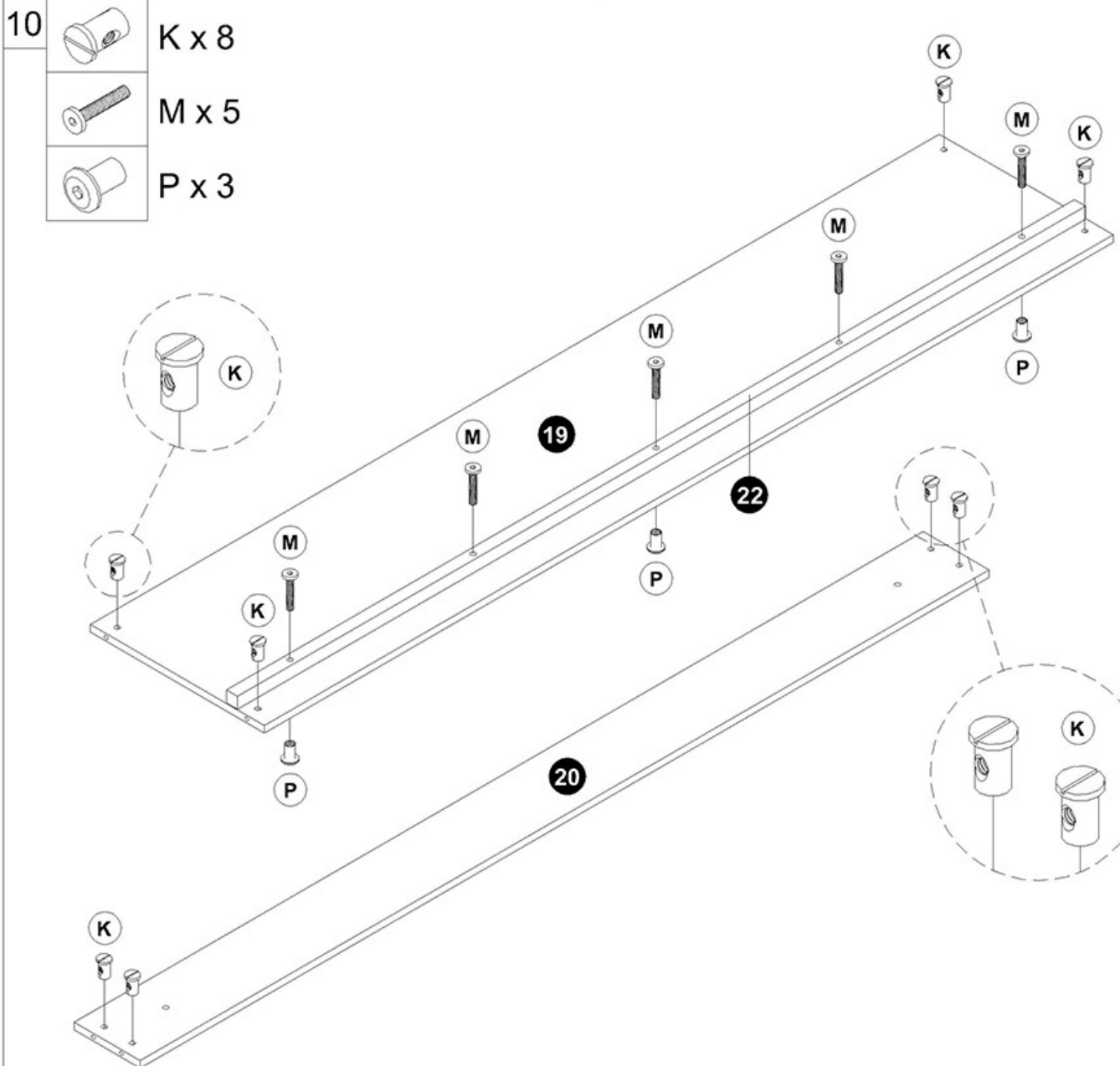
Repeat this step twice

Guide To Assembly

Model : DANTE DAY BED



Repeat this step twice

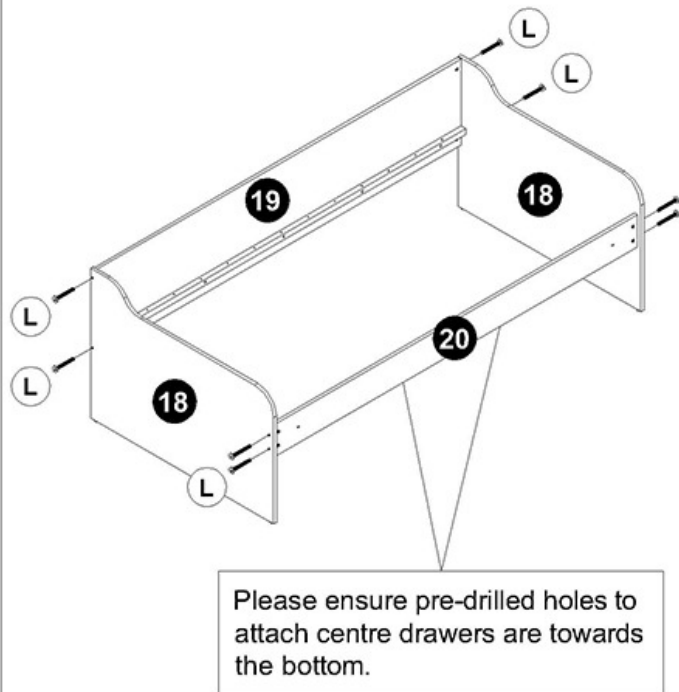


Guide To Assembly

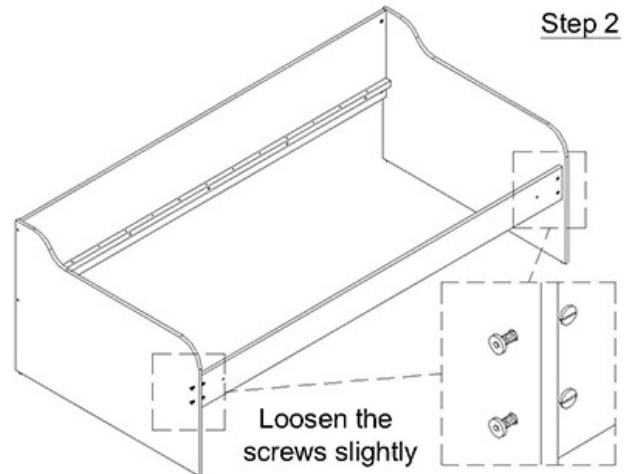
Model : DANTE DAY BED

11  L x 8

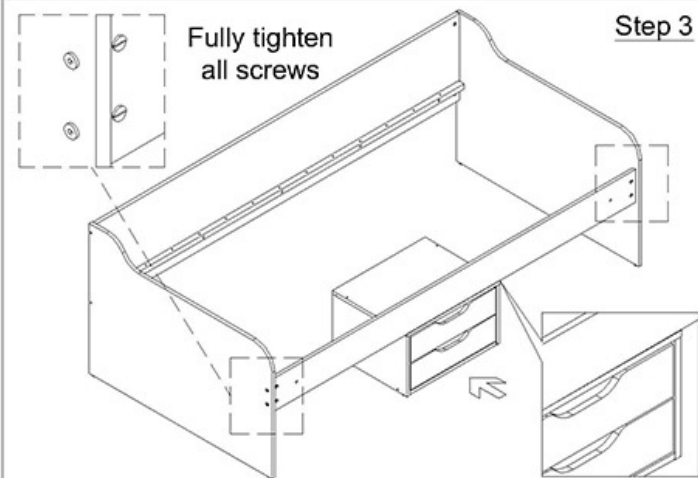
Step 1


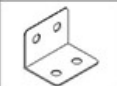


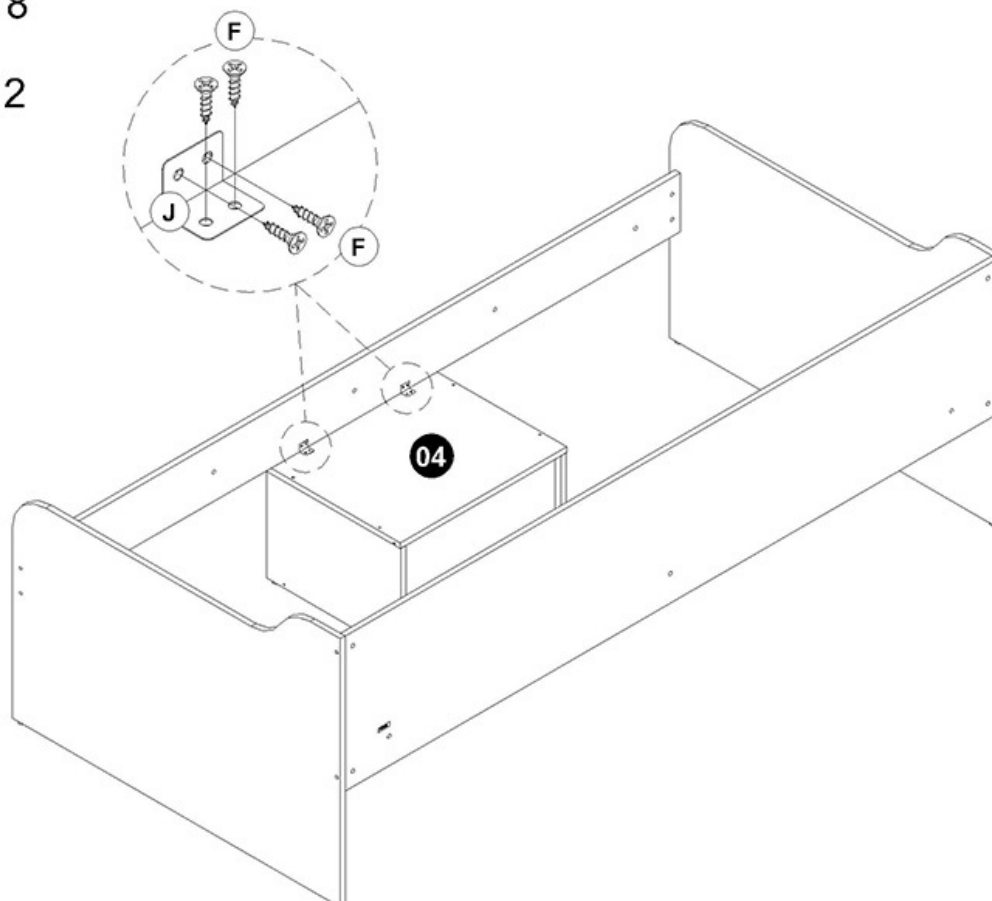
Step 2



Step 3



12  F x 8
 J x 2



Guide To Assembly

Model : DANTE DAY BED

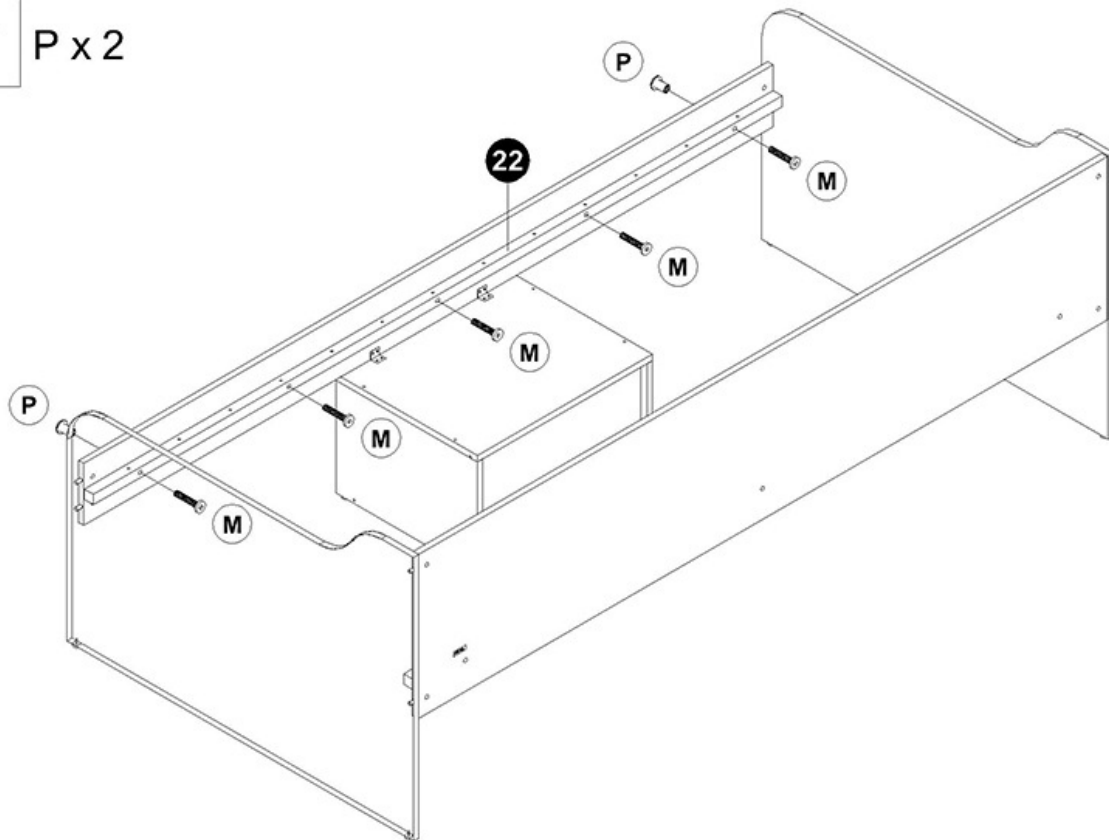
13



M x 5



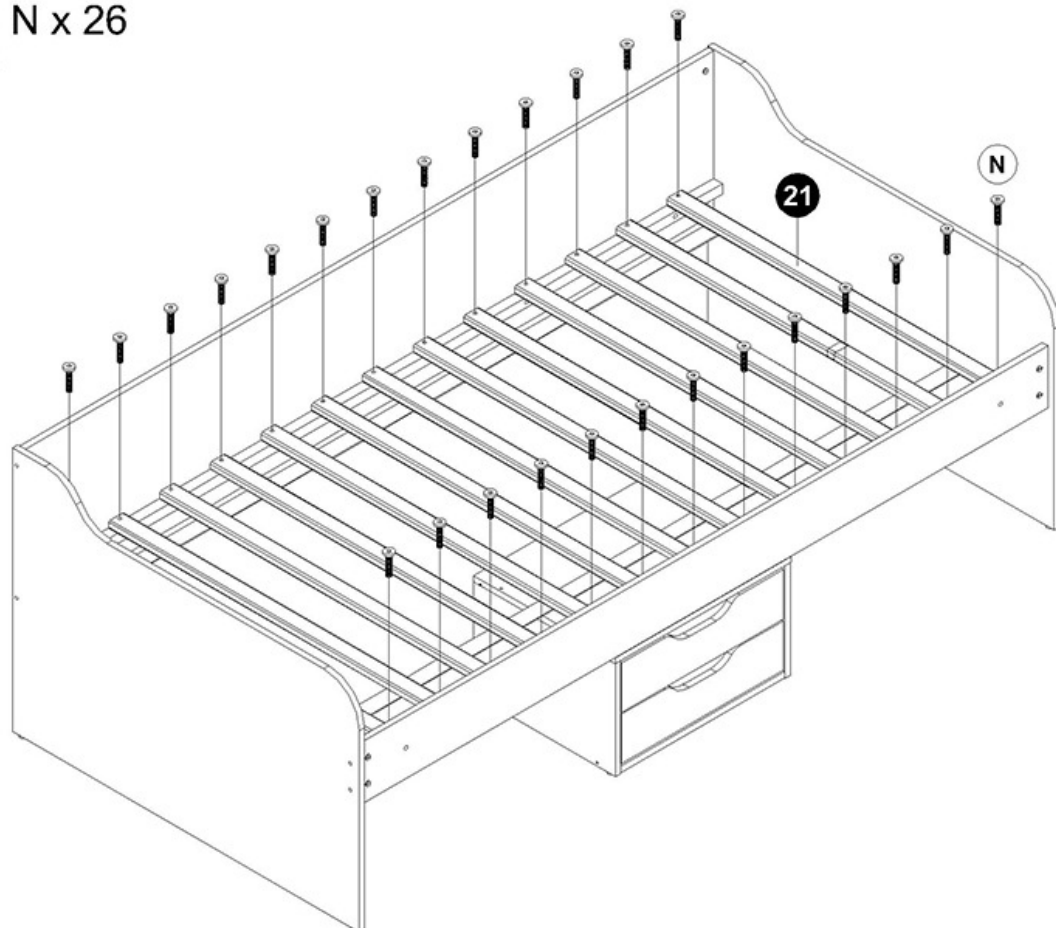
P x 2



14

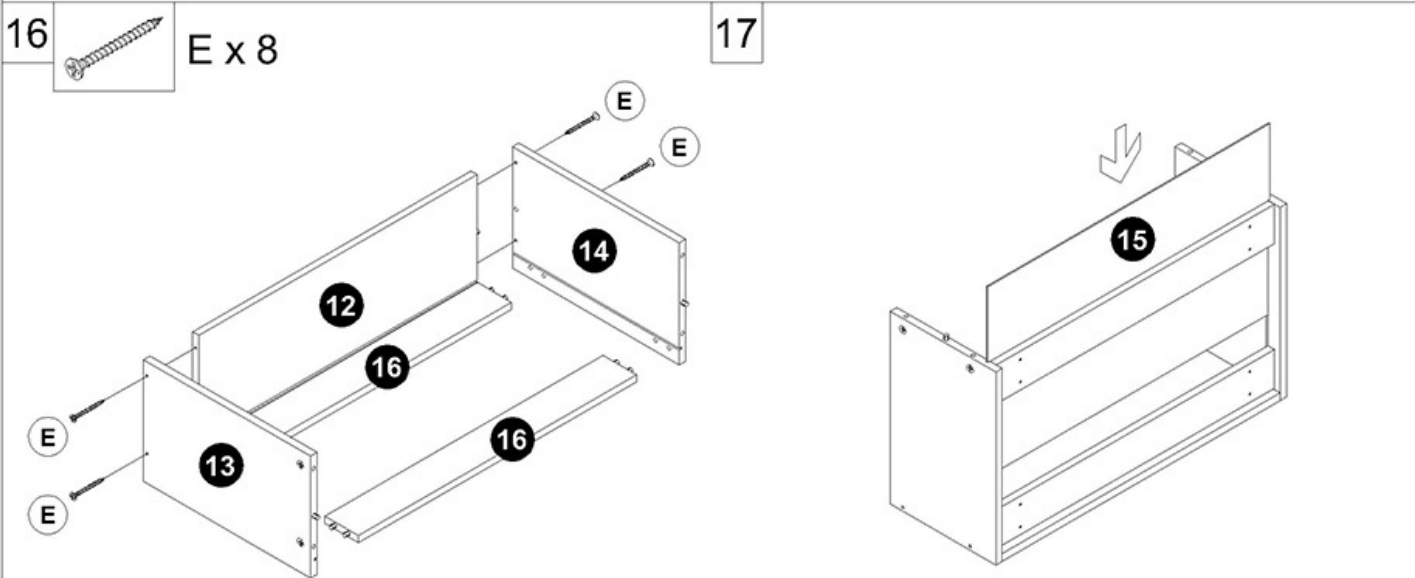
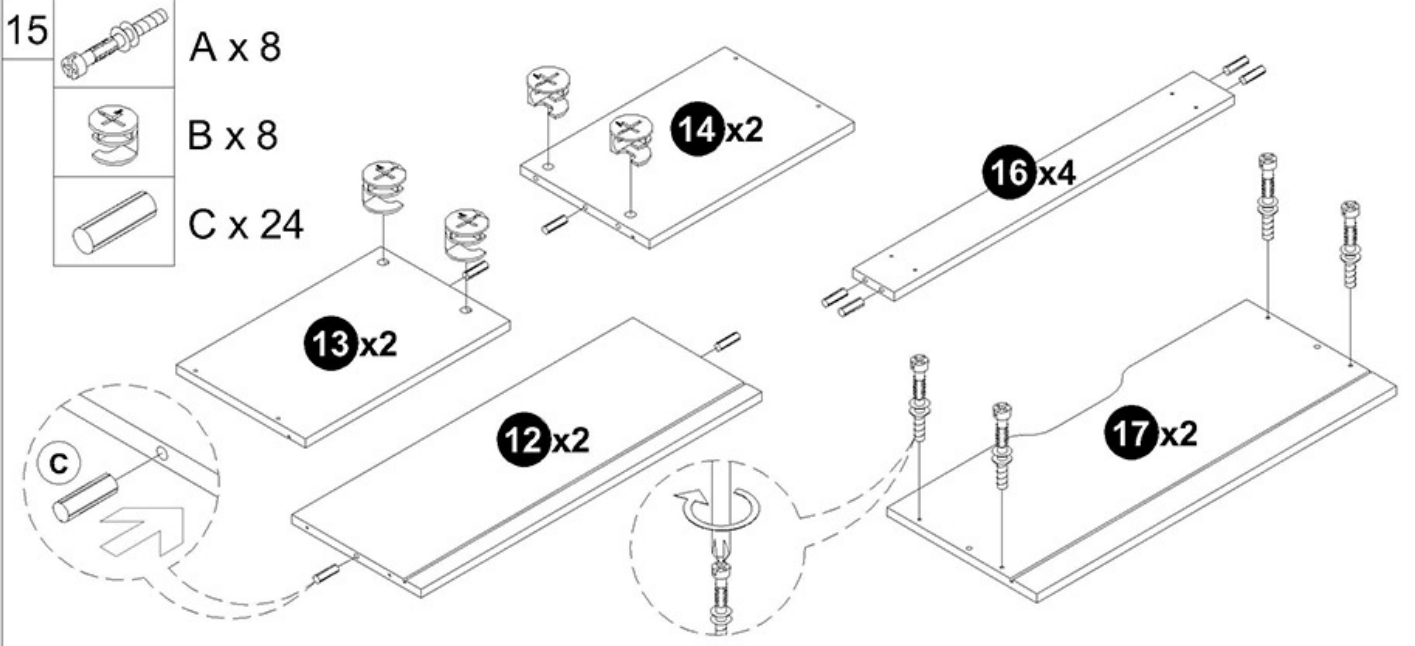


N x 26



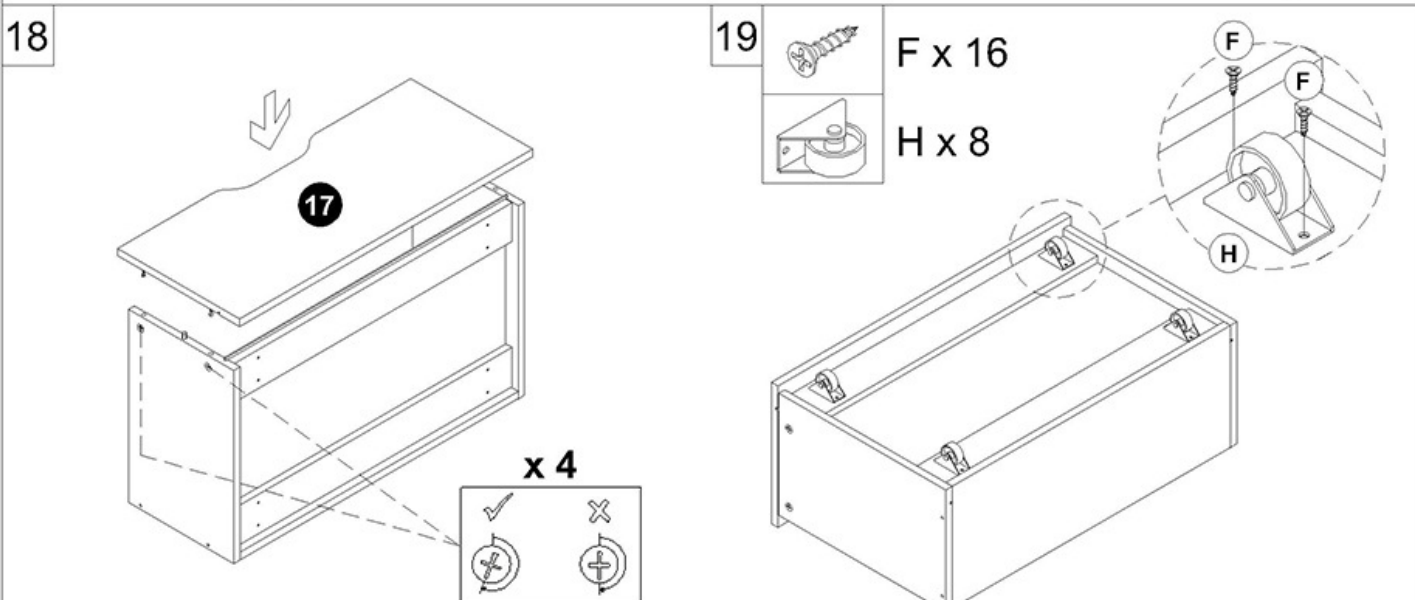
Guide To Assembly

Model : DANTE DAY BED



Repeat this step twice

Repeat this step twice



Repeat this step twice

Repeat this step twice