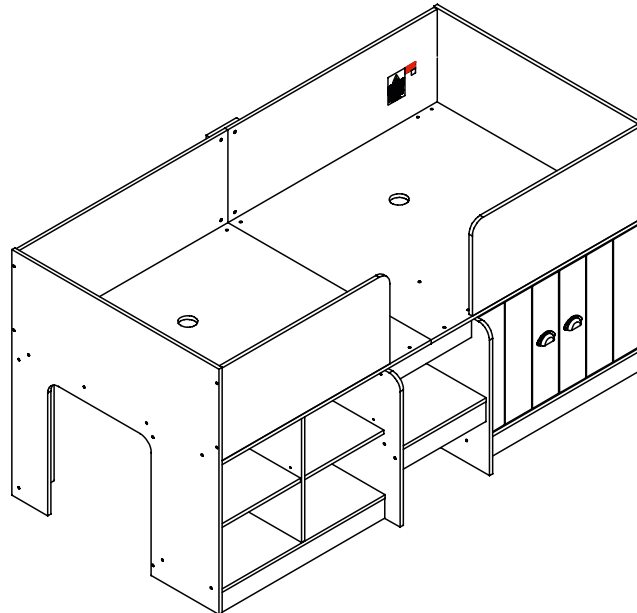


DARK BLUE ORLANDO LOW SLEEPER BED ASSEMBLY INSTRUCTIONS



100KG
MAX BED
WEIGHT



FOR DOMESTIC USE ONLY
IMPORTANT
PLEASE READ BEFORE YOU CONTINUE FURTHER

WARNING "High beds and the upper bed of bunk beds are not suitable for children under the age of six years due to the risk of injury from falls".

WARNING "Bunk beds and high beds can present a serious risk of injury from strangulation if not used correctly. Never attach or hang items to any part of the bunk bed that are not designed to be used with the bed, for example, but not limited to; ropes, strings, cords, hooks, belts and bags".

WARNING "Children can become trapped between the bed and the wall, a roof pitch, the ceiling, adjoining pieces of furniture (e.g. cupboards) and the like. To avoid risk of serious injury the distance between the top safety barrier and the adjoining structure shall not exceed 75mm or shall be more than 230mm".

WARNING Do not use the bunk bed/high bed if any structural part is broken or missing.

The recommended mattress size for this bunk bed/high bed is 1900mm x 915mm x 150mm.

The maximum mattress height is 210mm.

The maximum mattress height is clearly marked on the bunk bed and **MUST NOT BE EXCEEDED.**

Depending on the amount of use this product receives it may be necessary to tighten up the fixings from time to time, this is completely normal for all flat pack furniture. **DO NOT OVER TIGHTEN FIXINGS.**

Do not for any reason use a power tool to assemble this product.

Two persons are required to assemble this bunk bed/high bed.

Assemble as close to its final position as possible.

Assemble on a soft clean surface.

For cleaning you may use a damp cloth (not wet).

The room in which the bed is positioned should be ventilated to prevent mould in and around the bed.

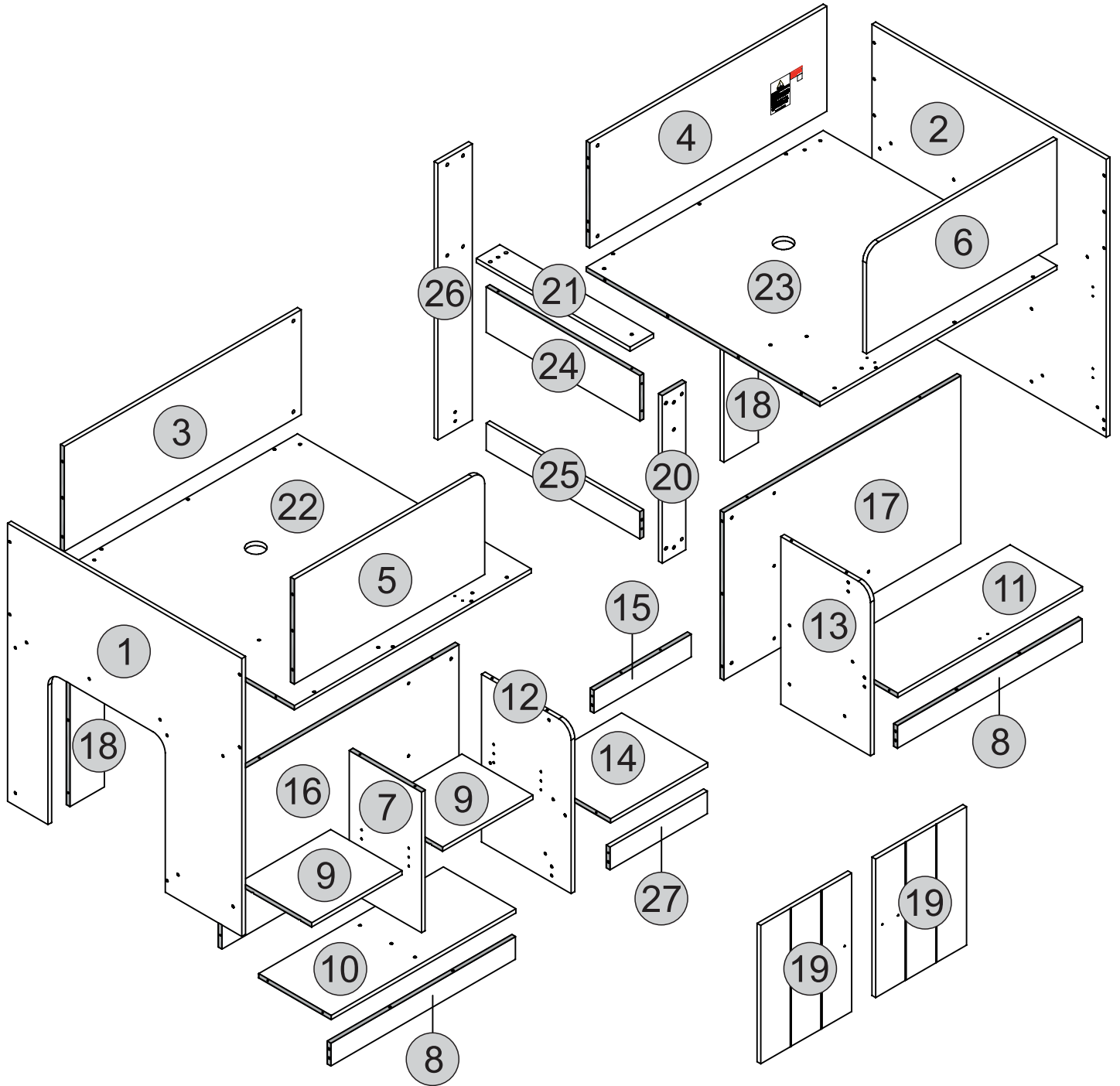
This bunk bed is manufactured to conform to BS EN 747:2012+A1:2015

PART LIST













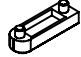


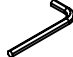
<u>Part Number</u>	<u>Part Code</u>	<u>Part Description</u>	<u>Quantity</u>	<u>Carton</u>
1	S200-206-023-ZF1-01	Side Panel (Left)	1	1/3
2	S200-206-023-ZF1-02	Side Panel (Right)	1	1/3
3	S200-206-023-ZF1-03	Back Panel (Left)	1	2/3
4	S200-206-023-ZF1-04	Back Panel (Right)	1	2/3
5	S200-206-023-ZF1-05	Front Side Rail (Left)	1	3/3
6	S200-206-023-ZF1-06	Front Side Rail (Right)	1	3/3
7	S200-206-023-ZF1-07	Fixed Shelf Panel	1	3/3
8	S200-206-023-ZF1-08	Bottom Support	2	3/3
9	S200-206-023-ZF1-09	Shelf Panel	2	3/3
10	S200-206-023-ZF1-10	Bottom Panel (Left)	1	3/3
11	S200-206-023-ZF1-11	Bottom Panel (Right)	1	3/3
12	S200-206-023-ZF1-12	Ladder Side (Left)	1	3/3
13	S200-206-023-ZF1-13	Ladder Side (Right)	1	3/3
14	S200-206-023-ZF1-14	Ladder Step	1	3/3
15	S200-206-023-ZF1-15	Ladder Support (Top)	1	3/3
16	S200-206-023-ZF1-16	Bed Board (Left)	1	2/3
17	S200-206-023-ZF1-17	Bed Board (Right)	1	2/3
18	S200-206-023-ZF1-18	Back Support	2	3/3
19	S200-206-023-ZF1-19	Door	2	1/3 & 3/3
20	S200-206-023-ZF1-20	Back Board Support	1	1/3
21	S200-206-023-ZF1-21	Floor Support	1	3/3
22	S200-206-023-ZF1-22	Bed Base Panel (Left)	1	1/3
23	S200-206-023-ZF1-23	Bed Base Panel (Right)	1	2/3
24	S200-206-023-ZF1-24	Centre Support	1	3/3
25	S200-206-023-ZF1-25	Centre Bottom Support	1	3/3
26	S200-206-023-ZF1-26	Side Rail Back Support	1	3/3
27	S200-206-023-ZF1-27	Ladder Support (Bottom)	1	3/3

PART LIST

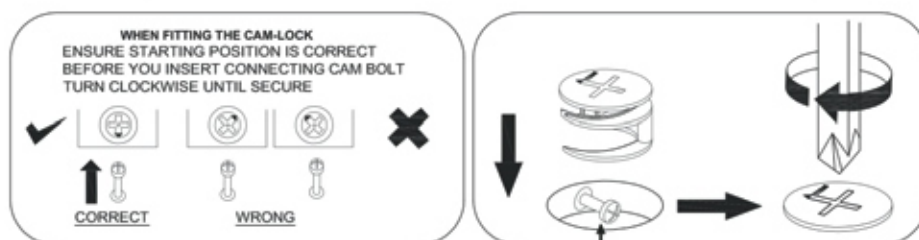
<u>Part Number</u>	<u>Part Code</u>	<u>Part Description</u>	<u>Quantity</u>	<u>Carton</u>
1		Side Panel (Left)	1	1/3
2		Side Panel (Right)	1	1/3
3		Back Panel (Left)	1	2/3
4		Back Panel (Right)	1	2/3
5		Front Side Rail (Left)	1	3/3
6		Front Side Rail (Right)	1	3/3
7		Fixed Shelf Panel	1	3/3
8		Bottom Support	2	3/3
9		Shelf Panel	2	3/3
10		Bottom Panel (Left)	1	3/3
11		Bottom Panel (Right)	1	3/3
12		Ladder Side (Left)	1	3/3
13		Ladder Side (Right)	1	3/3
14		Ladder Step	1	3/3
15		Ladder Support (Top)	1	3/3
16		Bed Board (Left)	1	2/3
17		Bed Board (Right)	1	2/3
18		Back Support	2	3/3
19		Door	2	1/3 & 3/3
20		Back Board Support	1	1/3
21		Floor Support	1	3/3
22		Bed Base Panel (Left)	1	1/3
23		Bed Base Panel (Right)	1	2/3
24		Centre Support	1	3/3
25		Centre Bottom Support	1	3/3
26		Side Rail Back Support	1	3/3
27		Ladder Support (Bottom)	1	3/3



HARDWARE LIST

No.	Part Name		Qty	Carton
A	M8 x 30mm Dowel		29	3/3
B	M8 x 40mm Dowel		9	3/3
C	M6 x 55mm JCBC Unitar Screw		8	3/3
D	M6 x 40mm Unitar Screw		77	3/3
E	M6 x 25mm Allen Bolt		10	3/3
F	14mm Chipboard Screw		24	3/3
G	Double Ended Cam Bolt		2	3/3
H	Cam Nut		4	3/3
I	M6 x 15mm JCN Nut		10	3/3
J	M6 x 13mm Baller		8	3/3
K	Handle + Screw		2 set	3/3
L	Hinges		4	3/3
M	Door Stopper		2	3/3
N	Metal Shelf Support		8	3/3
O	L Bracket (2x15x50x50mm)		2	3/3
P	M6 Allen Wrench		2	3/3

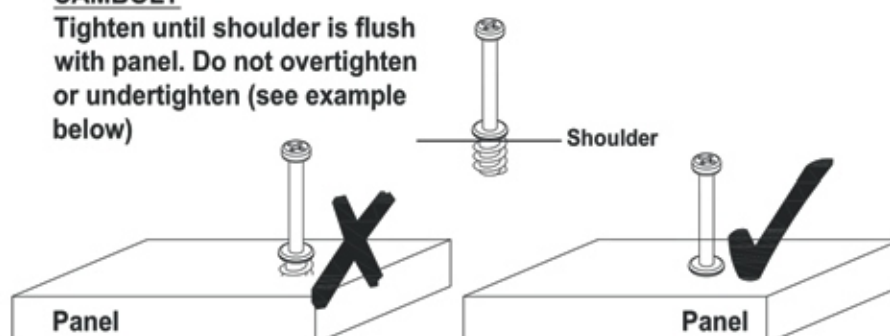
TIPS FOR FITTING CAM-LOCKS



Cam bolt head needs to be in centre

CAMBOLT

Tighten until shoulder is flush with panel. Do not overtighten or undertighten (see example below)



STEP 1

PARTS REQUIRED

7 - FIXED SHELF PANEL x1

8 - BOTTOM SUPPORT x2

12 - LADDER SIDE (LEFT) x1

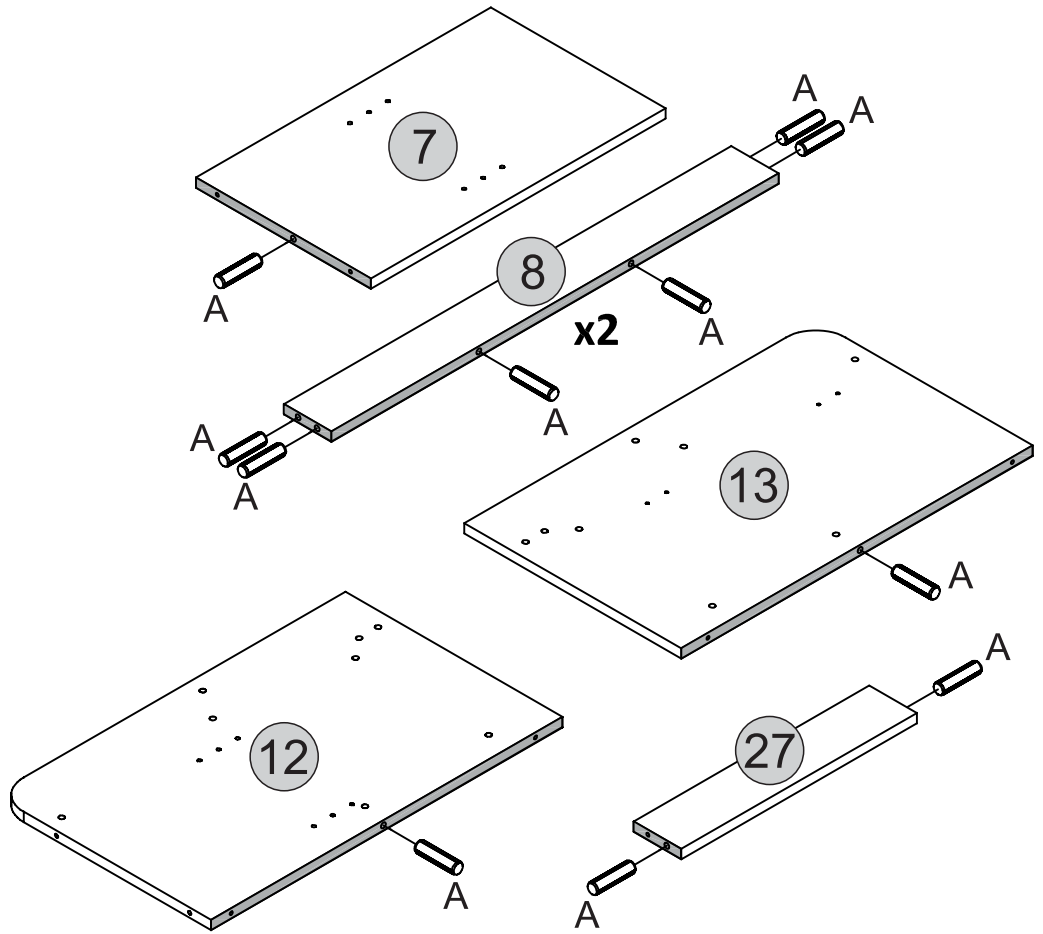
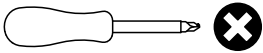
13 - LADDER SIDE (RIGHT) x1

27 - LADDER SUPPORT BOTTOM x1

HARDWARE REQUIRED

A  17

TOOLS REQUIRED



STEP 2

PARTS REQUIRED

15 - LADDER SUPPORT TOP x1

16 - BED BOARD (LEFT) x1

17 - BED BOARD (RIGHT) x1

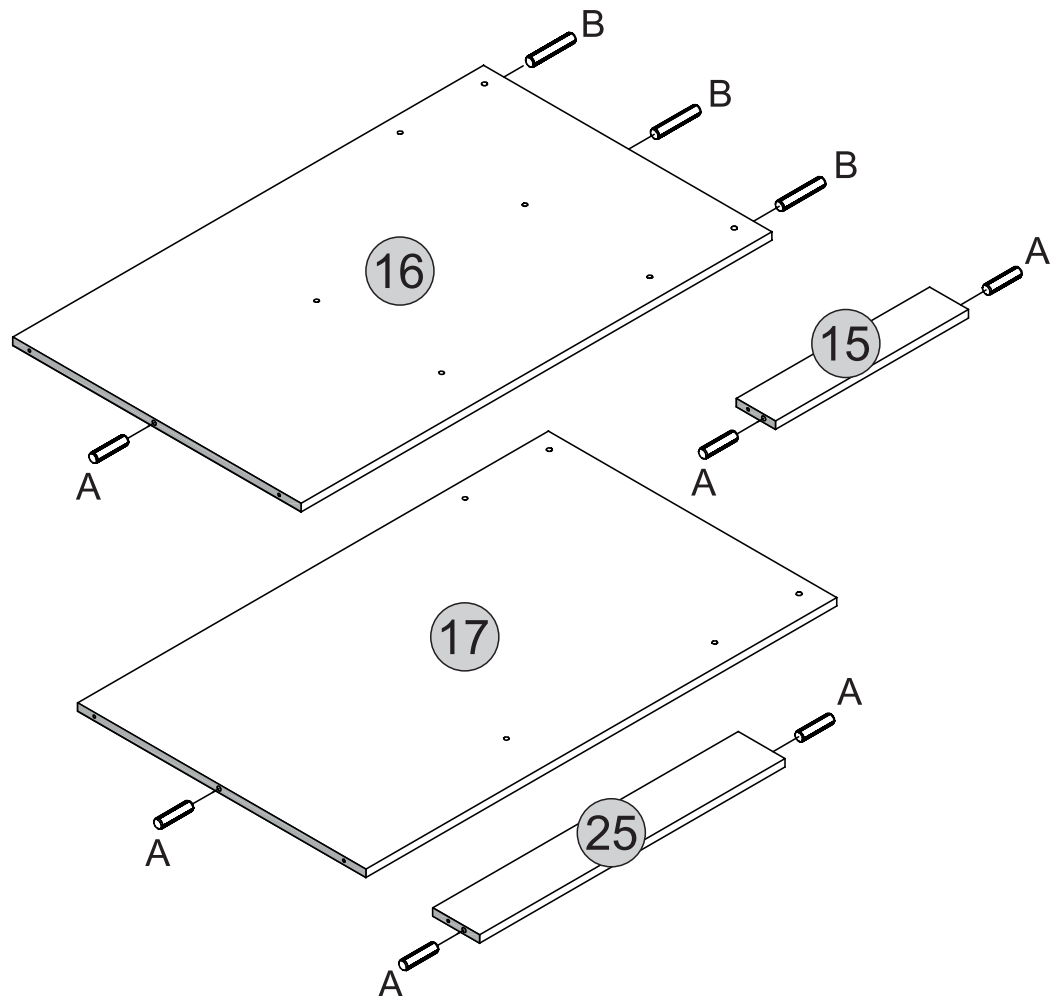
25 - CENTRE BOTTOM SUPPORT x1

HARDWARE REQUIRED

A  06

B  03

TOOLS REQUIRED



STEP 3

PARTS REQUIRED

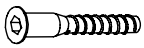
20 - BACK BOARD SUPPORT x1

24 - CENTRE SUPPORT x1

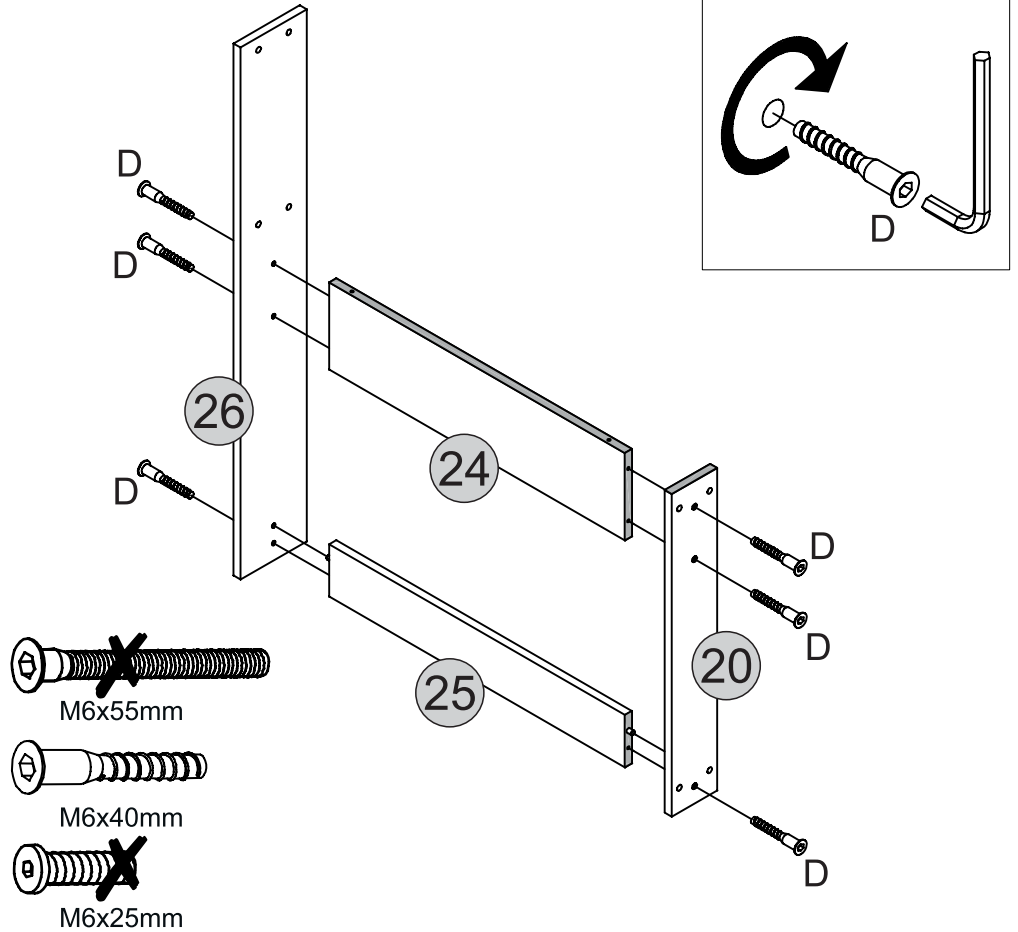
25 - CENTRE BOTTOM SUPPORT x1

26 - SIDE RAIL BACK SUPPORT x1

HARDWARE REQUIRED

D  06

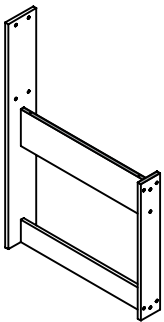
TOOLS REQUIRED



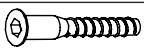
STEP 4

PARTS REQUIRED

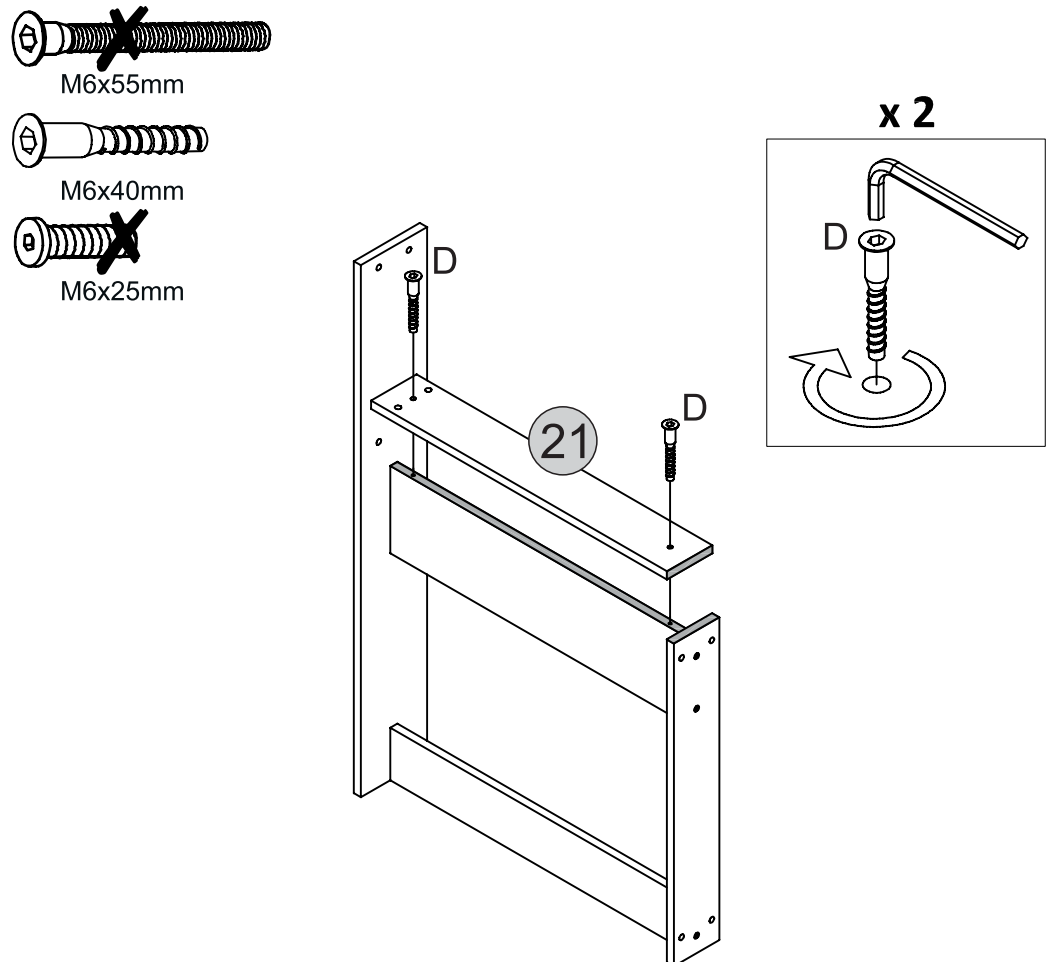
21 - FLOOR SUPPORT x1



HARDWARE REQUIRED

D  02

TOOLS REQUIRED



STEP 5

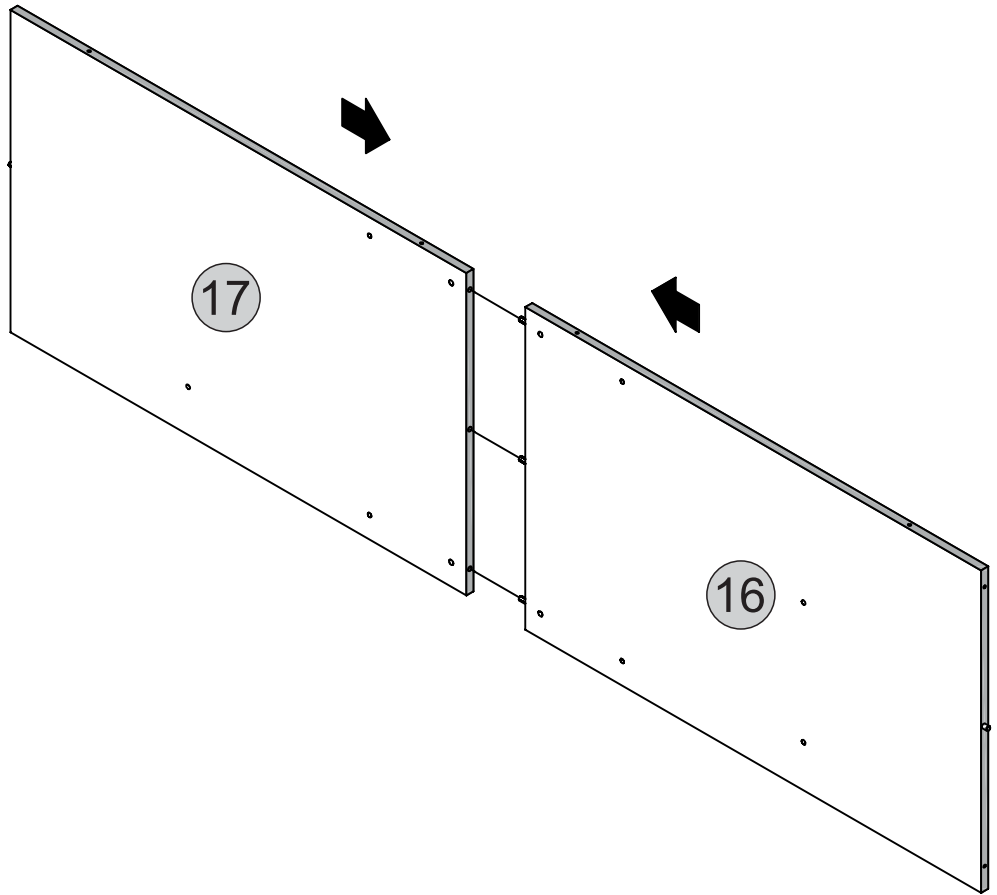
PARTS REQUIRED

16 - BED BOARD (LEFT) x1

17 - BED BOARD (RIGHT) x1

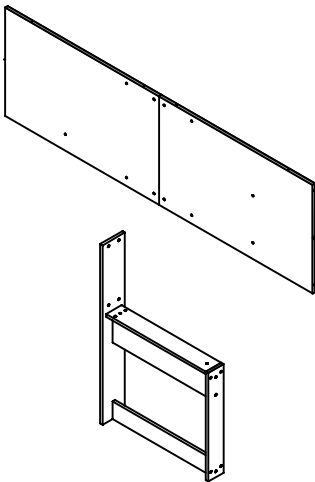
HARDWARE REQUIRED

TOOLS REQUIRED



STEP 6

PARTS REQUIRED

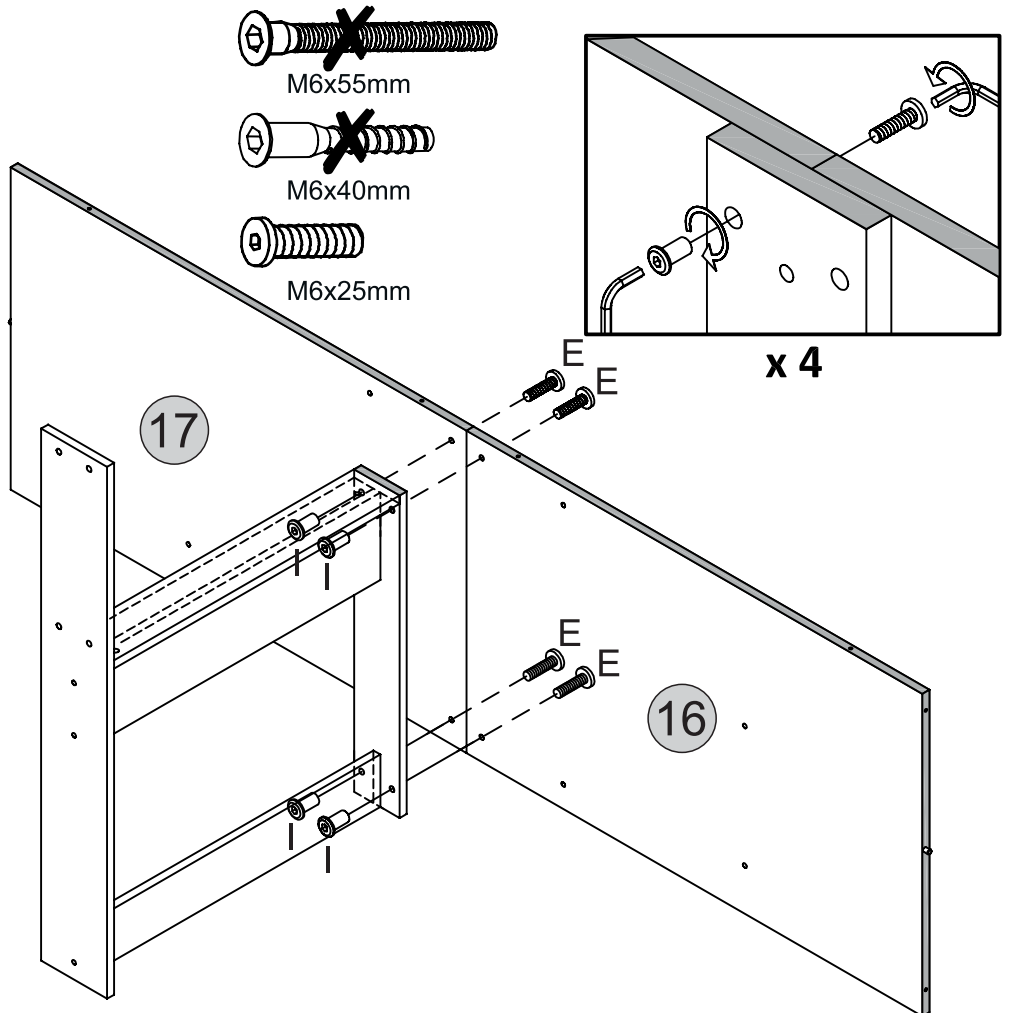


HARDWARE REQUIRED

E  04

I  04

TOOLS REQUIRED



STEP 7

PARTS REQUIRED

12 - LADDER SIDE (LEFT) x1


13 - LADDER SIDE (RIGHT) x1

14 - LADDER STEP x1

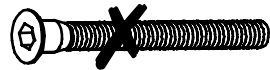
15 - LADDER SUPPORT (TOP) x1

27 - LADDER SUPPORT (BOTTOM)x1

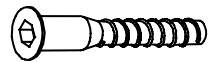
HARDWARE REQUIRED

D  08

TOOLS REQUIRED



M6x55mm

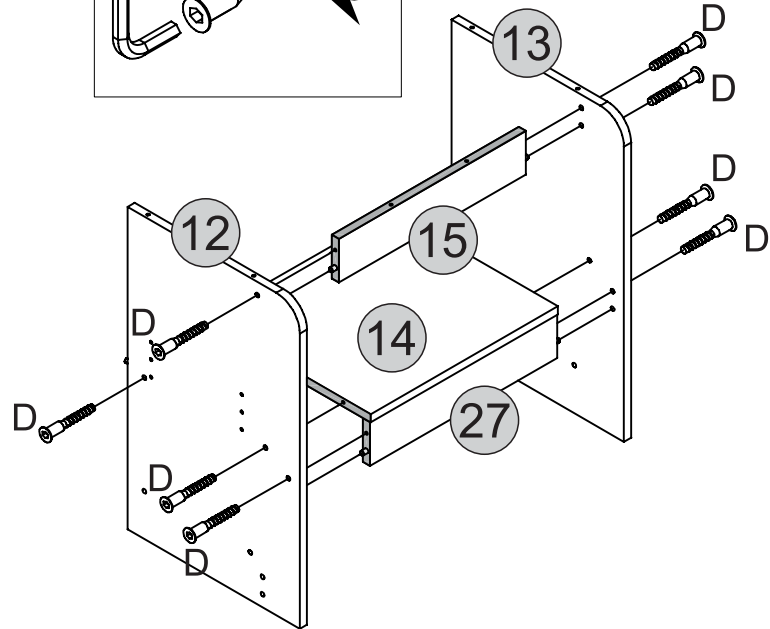
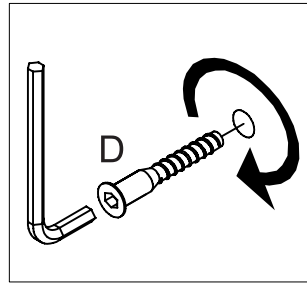


M6x40mm



M6x25mm

x 8



STEP 8


PARTS REQUIRED

11 - BOTTOM PANEL (RIGHT) x1


18 - BACK SUPPORT x2

23 - BED BASE PANEL (RIGHT) x1

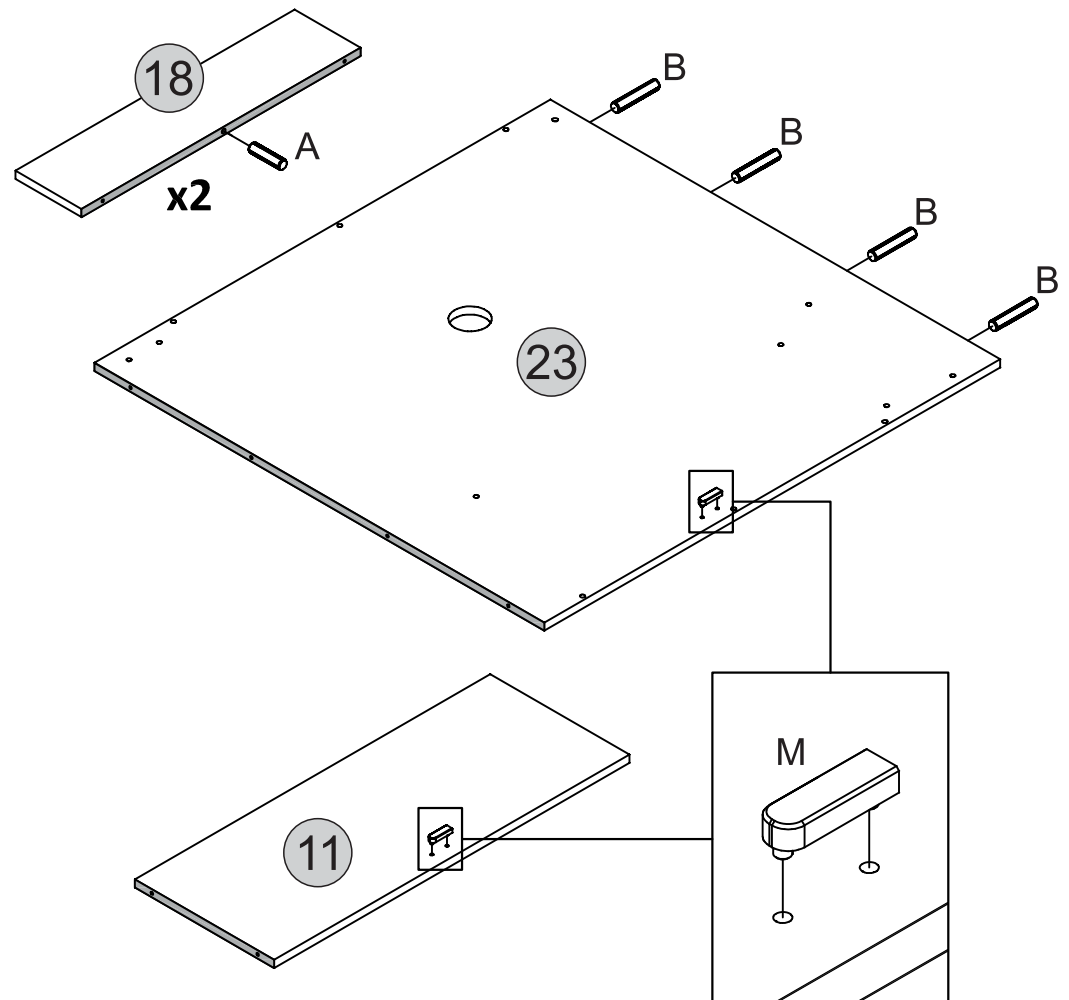
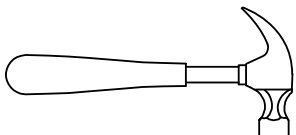
HARDWARE REQUIRED

A  02

B  04

M  02

TOOLS REQUIRED



STEP 9

PARTS REQUIRED

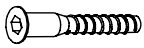
7 - FIXED SHELF PANEL x1

8 - BOTTOM SUPPORT x2

10 - BOTTOM PANEL (LEFT) x1

11 - BOTTOM PANEL (RIGHT) x1

HARDWARE REQUIRED

D  02

TOOLS REQUIRED



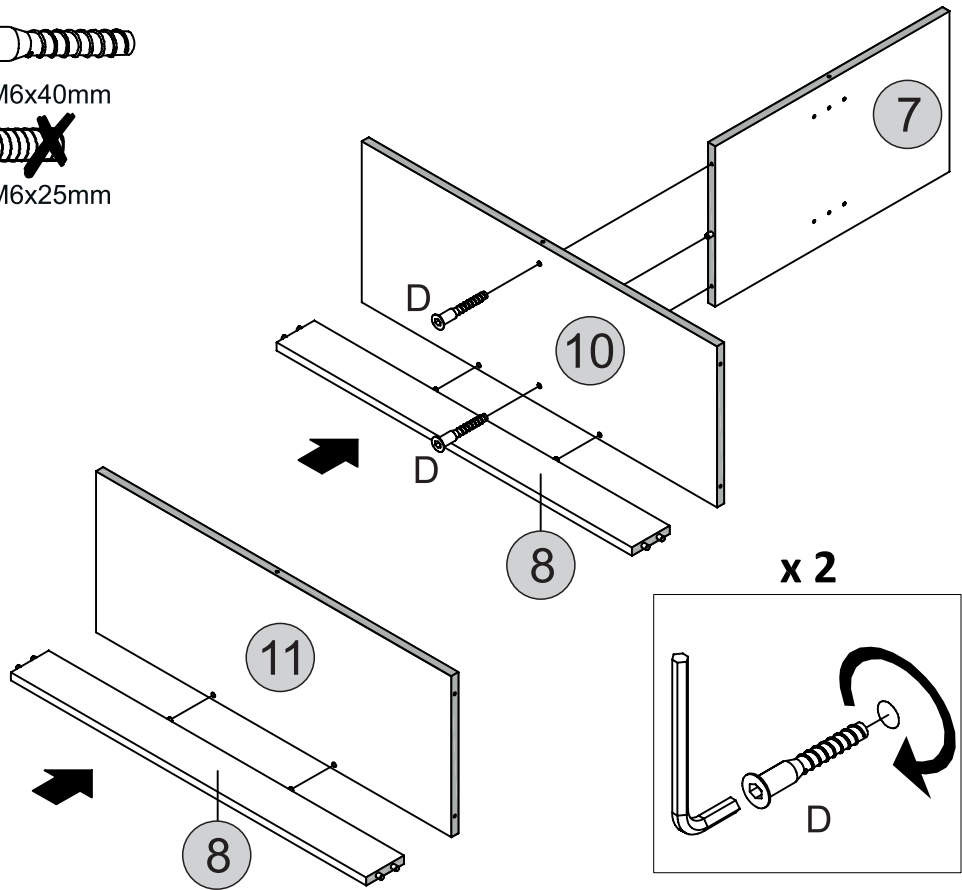
M6x55mm



M6x40mm

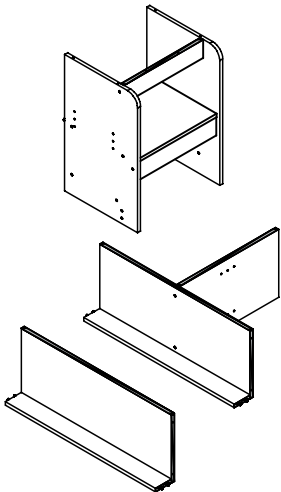


M6x25mm

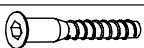


STEP 10

PARTS REQUIRED



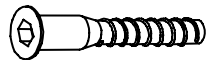
HARDWARE REQUIRED

D  04

TOOLS REQUIRED



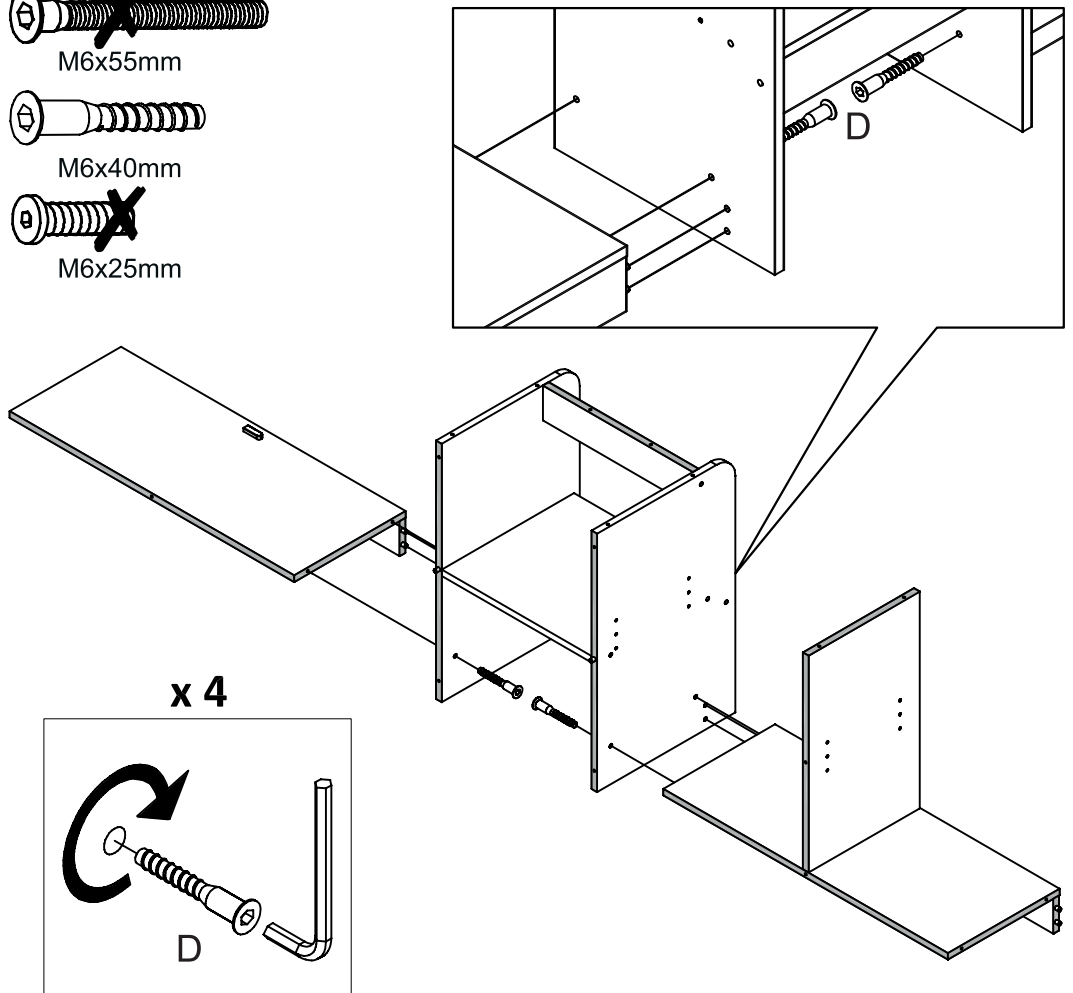
M6x55mm



M6x40mm

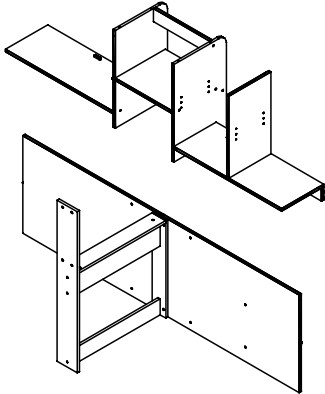


M6x25mm

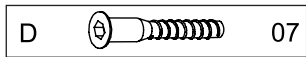


STEP 11

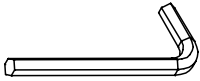
PARTS REQUIRED



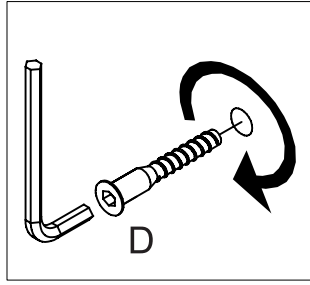
HARDWARE REQUIRED



TOOLS REQUIRED



x 7



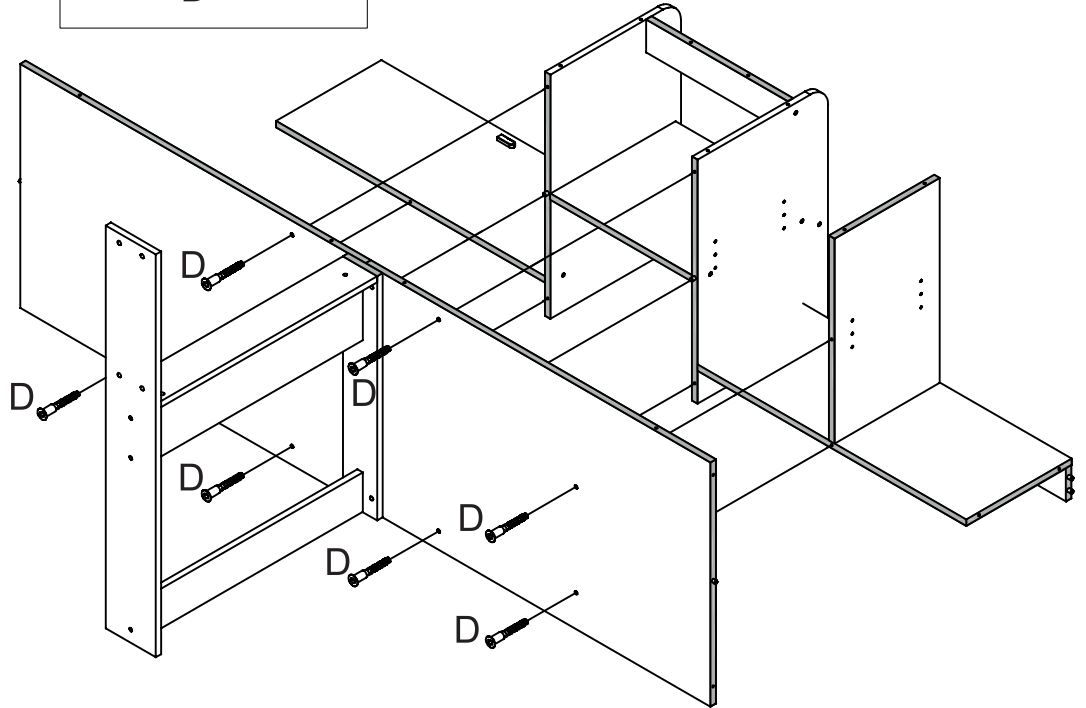
M6x55mm



M6x40mm



M6x25mm

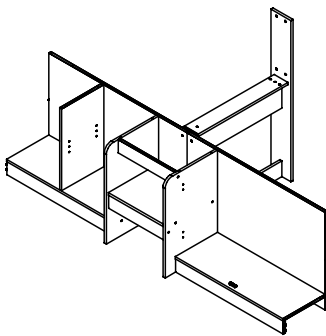


STEP 12

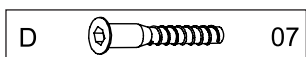
PARTS REQUIRED

18 - BACK SUPPORT x1

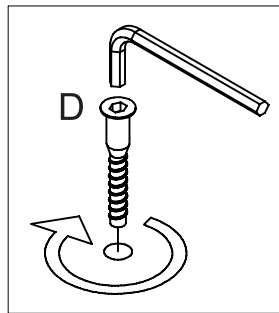
23 - BED BASE PANEL (RIGHT) x1



HARDWARE REQUIRED



TOOLS REQUIRED



x 7



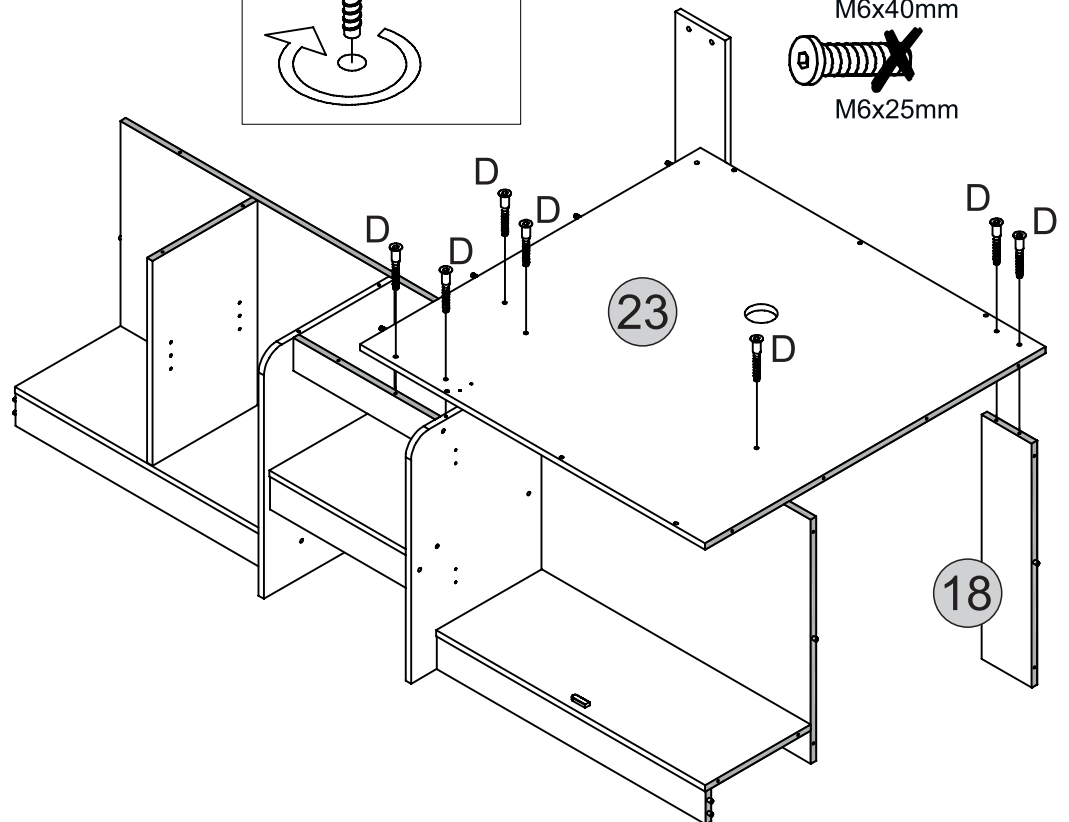
M6x55mm



M6x40mm



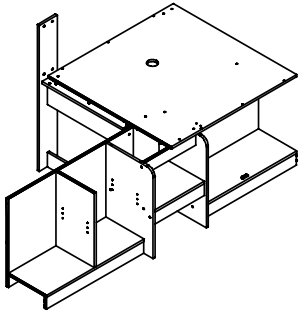
M6x25mm



STEP 13

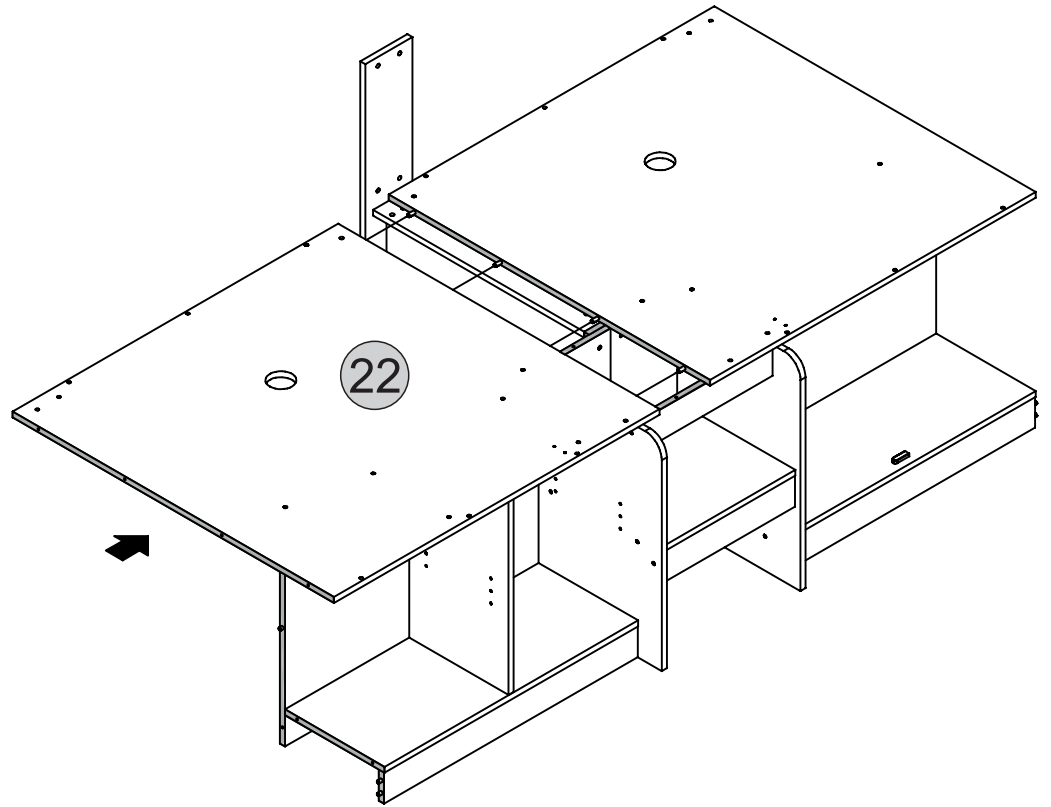
PARTS REQUIRED

22 - BED BASE PANEL (LEFT) x1



HARDWARE REQUIRED

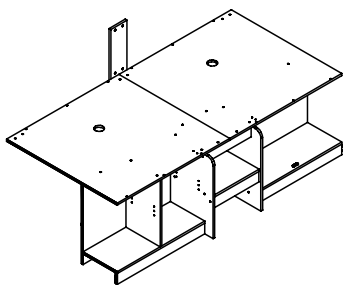
TOOLS REQUIRED



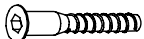
STEP 14

PARTS REQUIRED

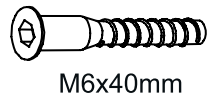
18 - BACK SUPPORT x1



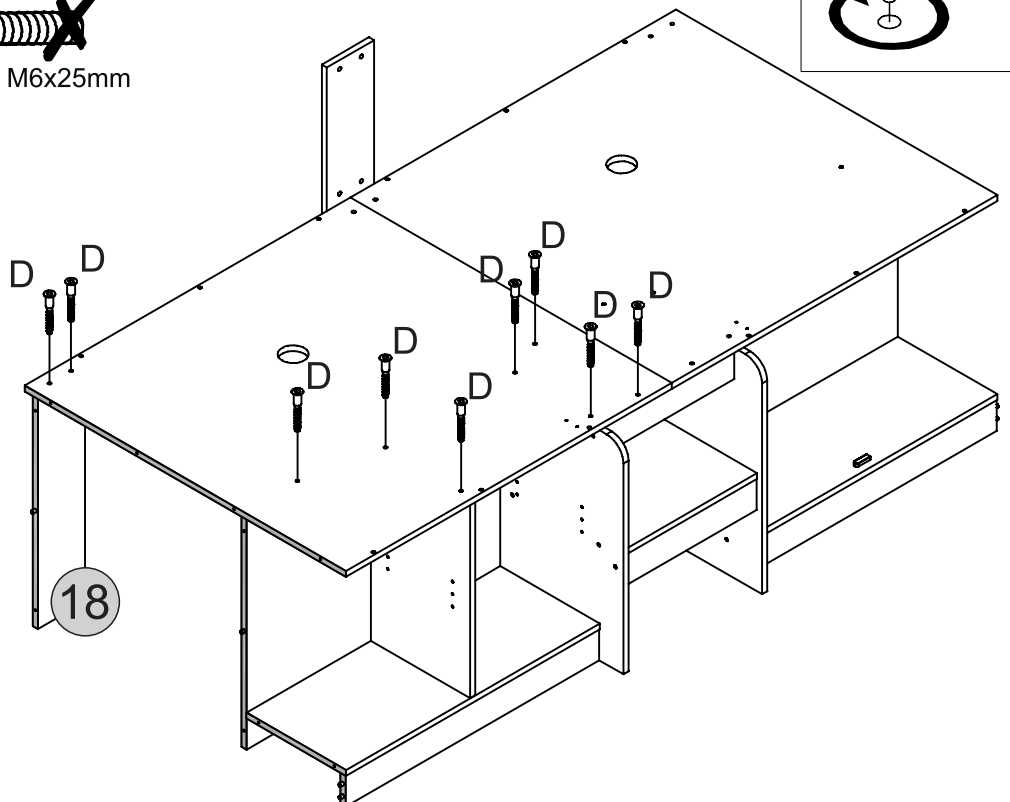
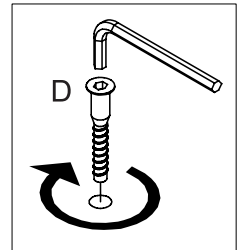
HARDWARE REQUIRED

D  09

TOOLS REQUIRED

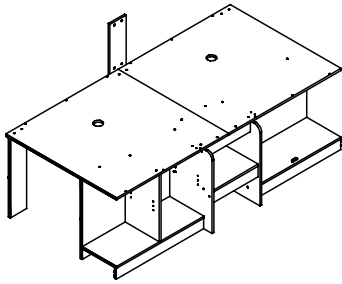


x 9

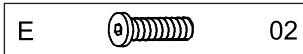


STEP 15

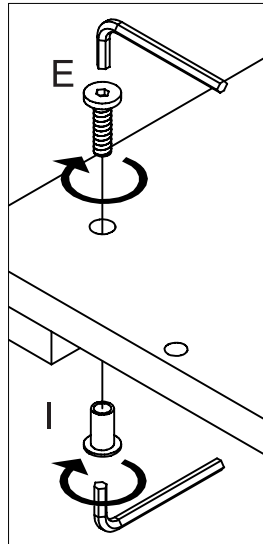
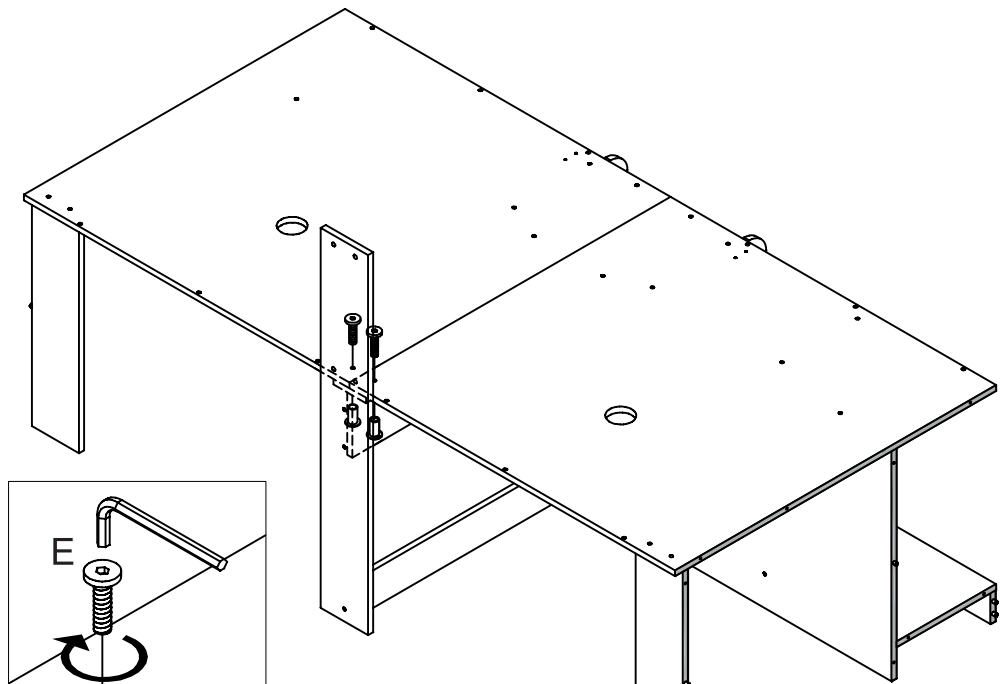
PARTS REQUIRED



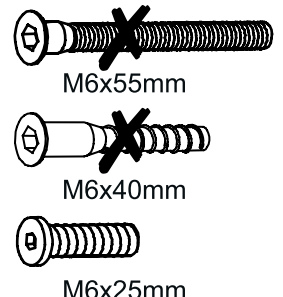
HARDWARE REQUIRED



TOOLS REQUIRED

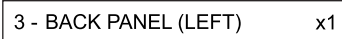


x 2

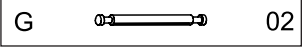
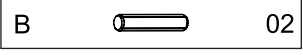
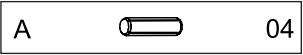


STEP 16

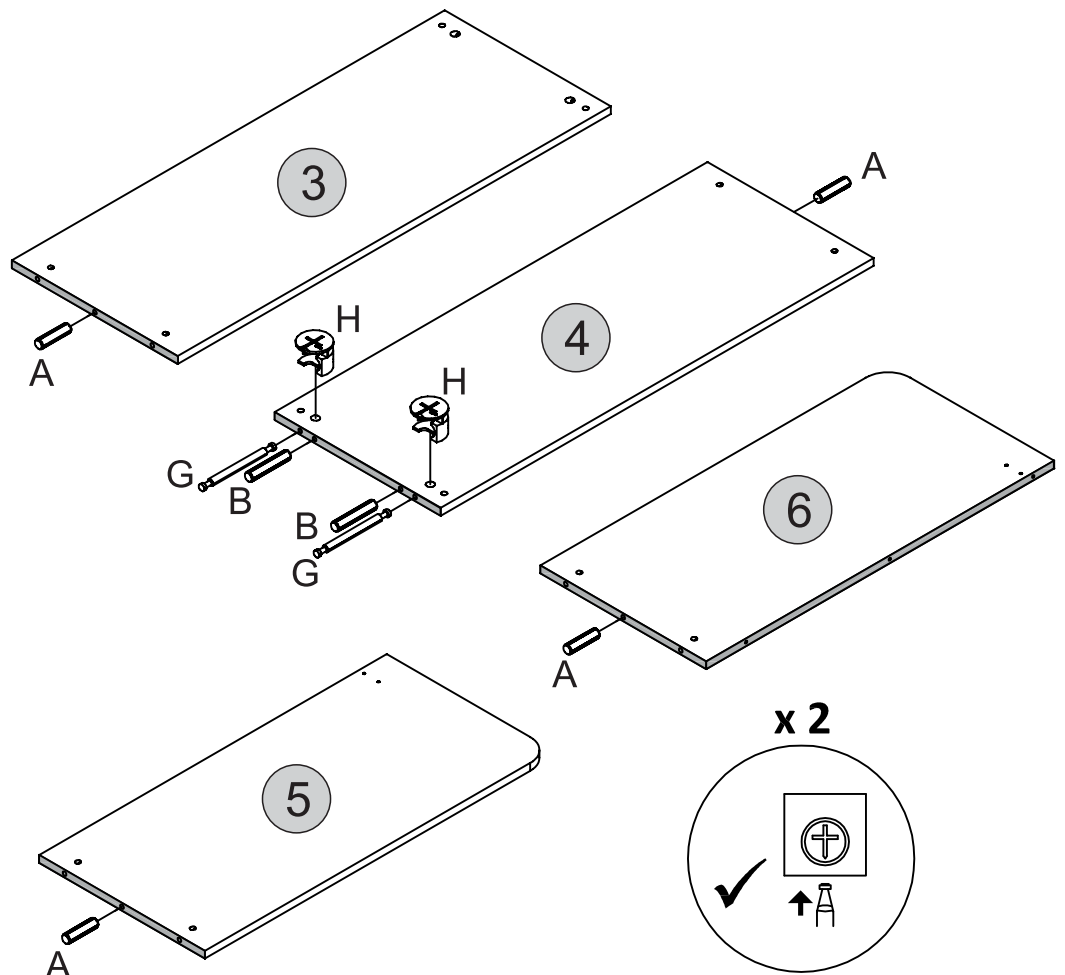
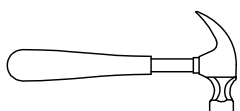
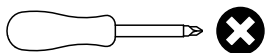
PARTS REQUIRED



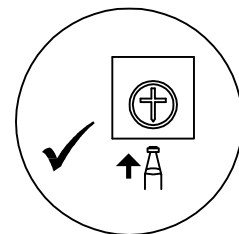
HARDWARE REQUIRED



TOOLS REQUIRED



x 2



STEP 17

PARTS REQUIRED

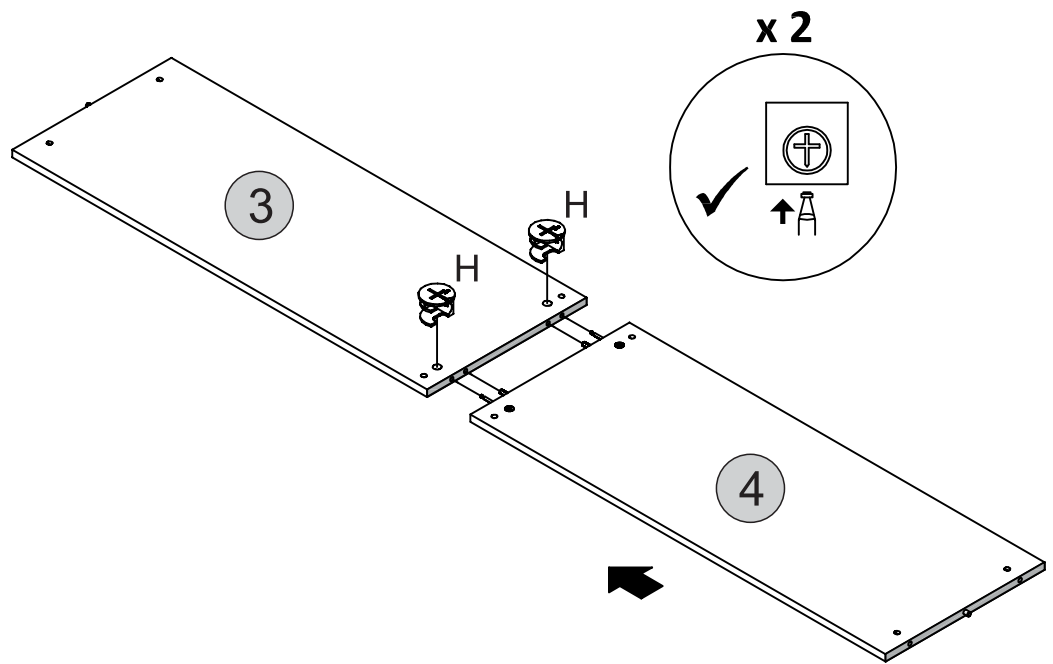
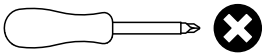
3 - BACK PANEL (LEFT) x1

4 - BACK PANEL (RIGHT) x1

HARDWARE REQUIRED

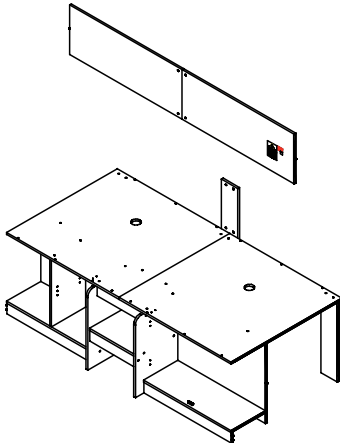
H  02

TOOLS REQUIRED




STEP 18

PARTS REQUIRED



HARDWARE REQUIRED

E  04

I  04

TOOLS REQUIRED



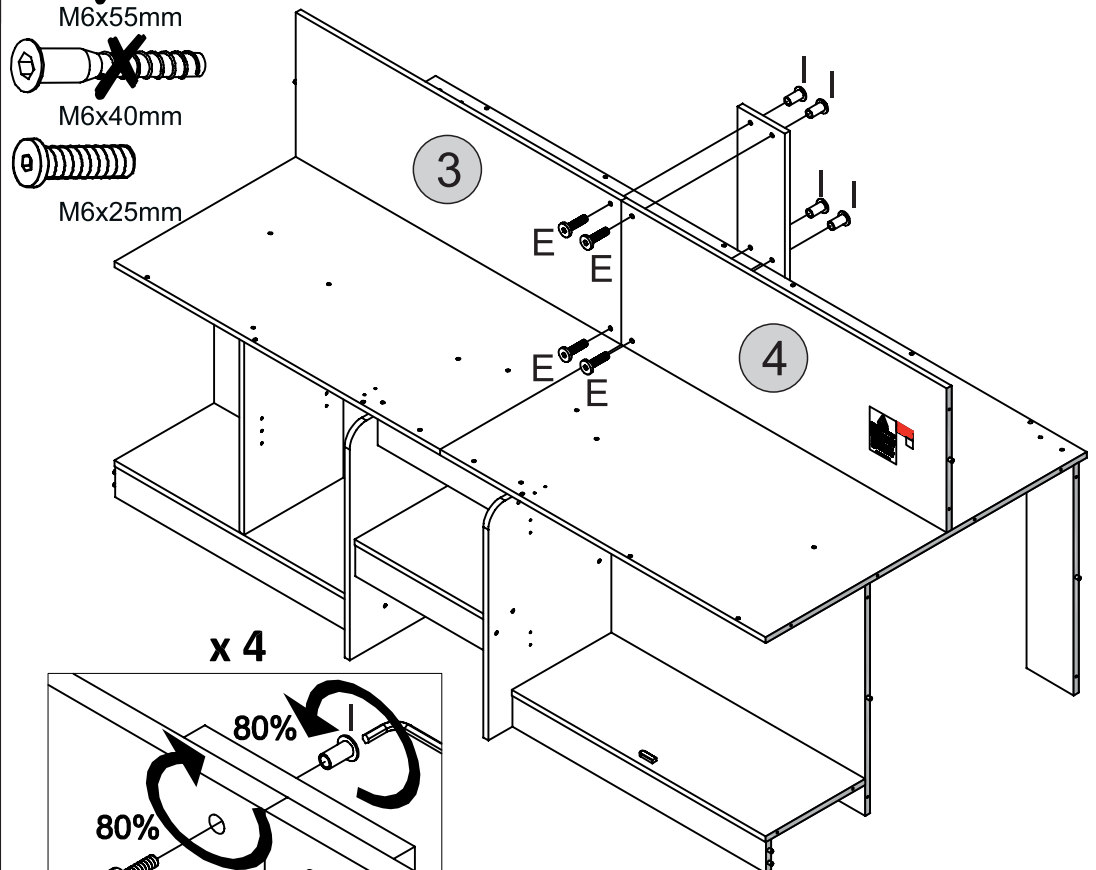
M6x55mm



M6x40mm



M6x25mm

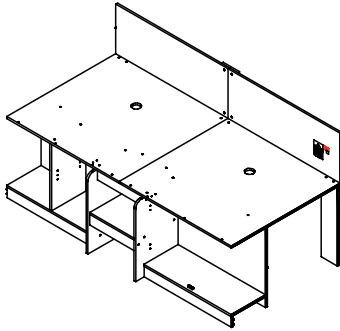


DO NOT FULLY TIGHTEN THE BOLTS AT THIS STAGE !!

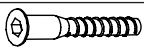
STEP 19

PARTS REQUIRED

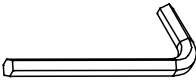
2 - SIDE PANEL (RIGHT) x1



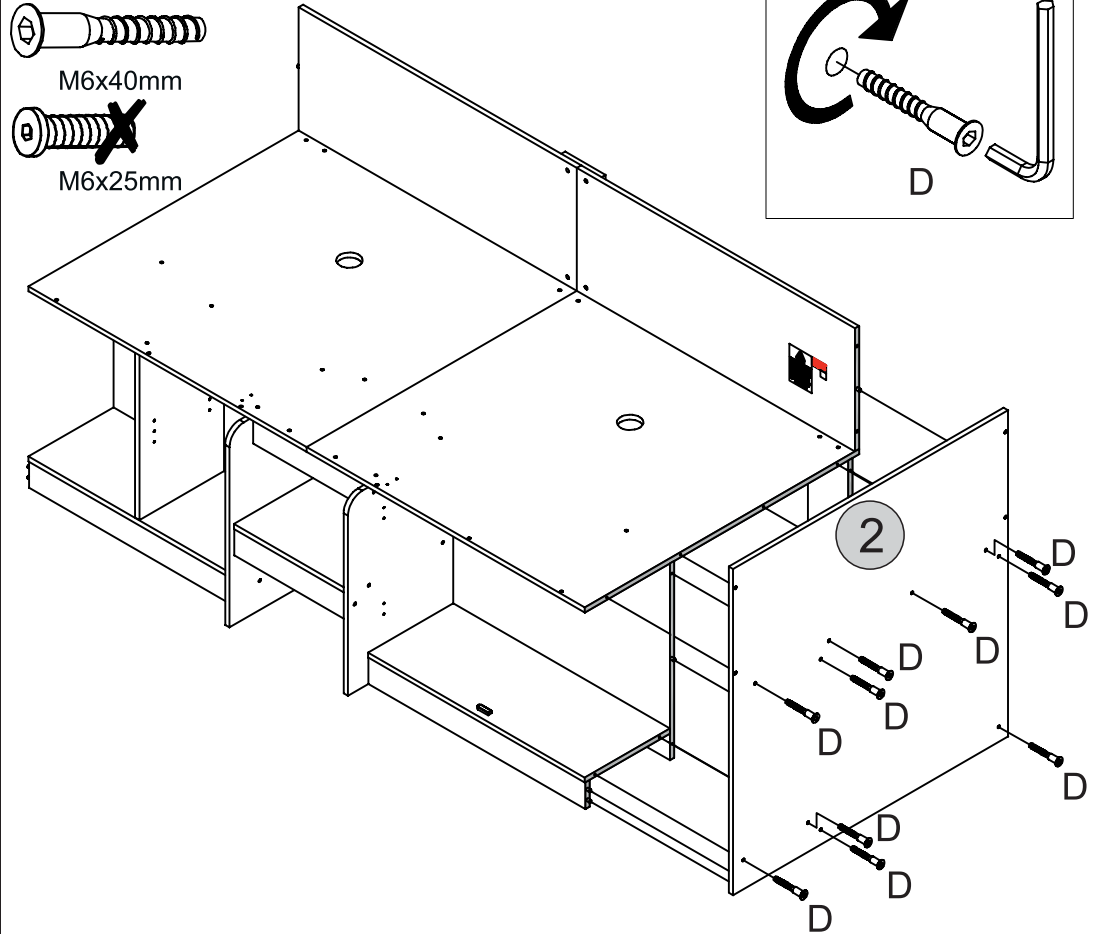
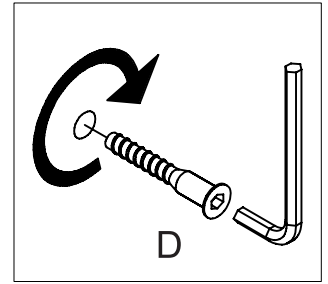
HARDWARE REQUIRED

D  10

TOOLS REQUIRED



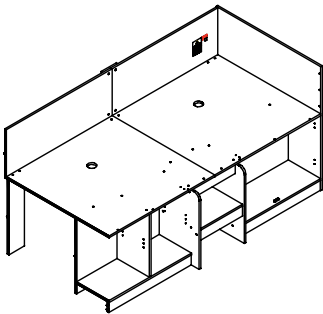
x 10



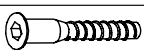
STEP 20

PARTS REQUIRED

1 - SIDE PANEL (LEFT) x1



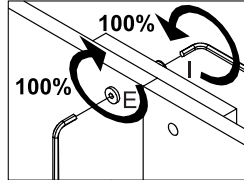
HARDWARE REQUIRED

D  10

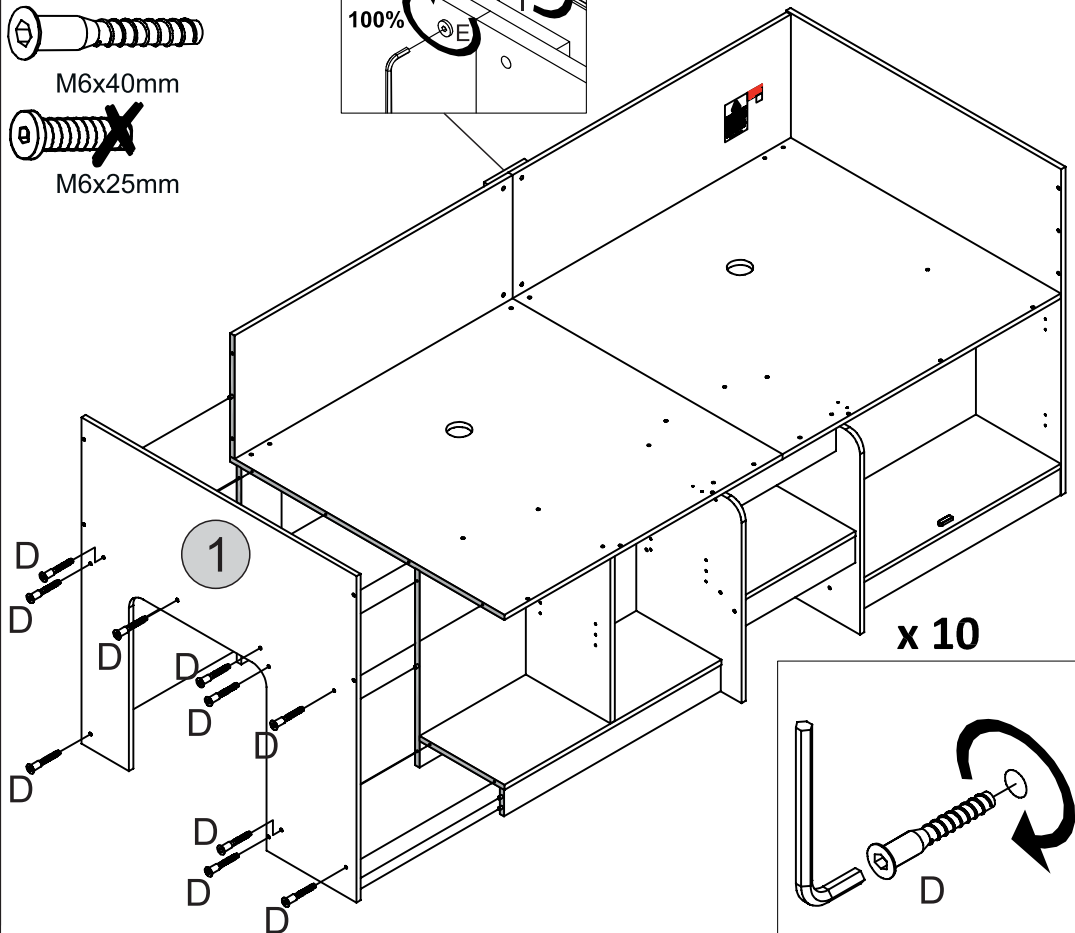
TOOLS REQUIRED



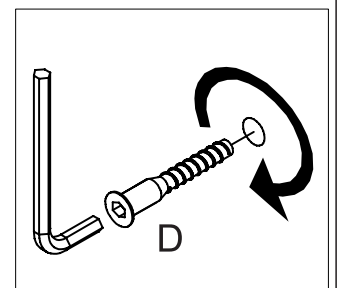
x 4



PLEASE FULLY TIGHTEN THESE BOLTS AT THIS STAGE !!

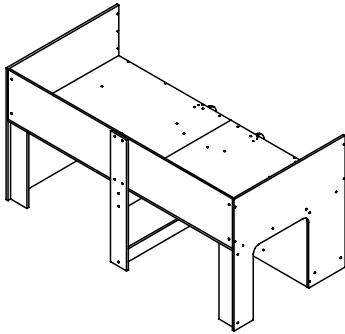


x 10

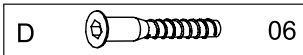


STEP 21

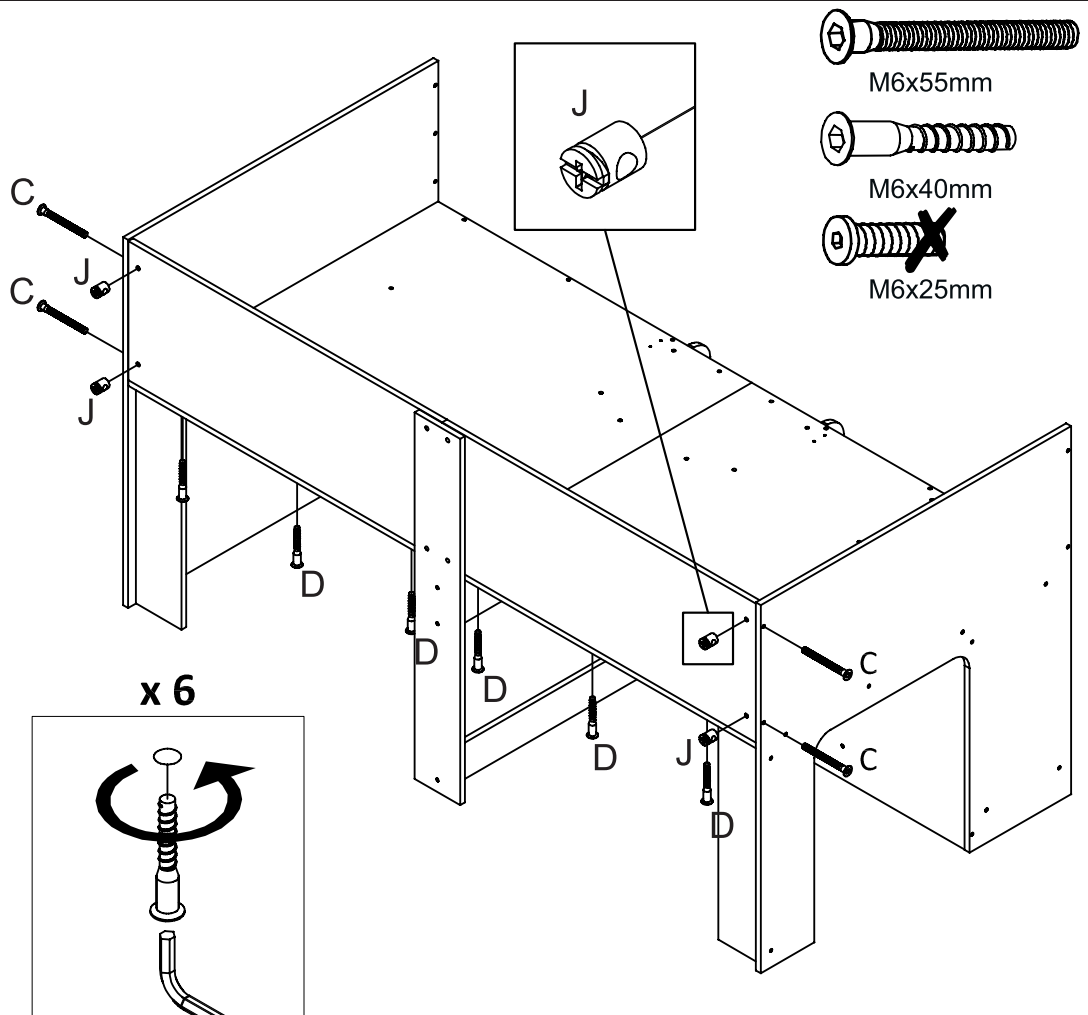
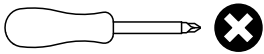
PARTS REQUIRED



HARDWARE REQUIRED



TOOLS REQUIRED



STEP 22

PARTS REQUIRED

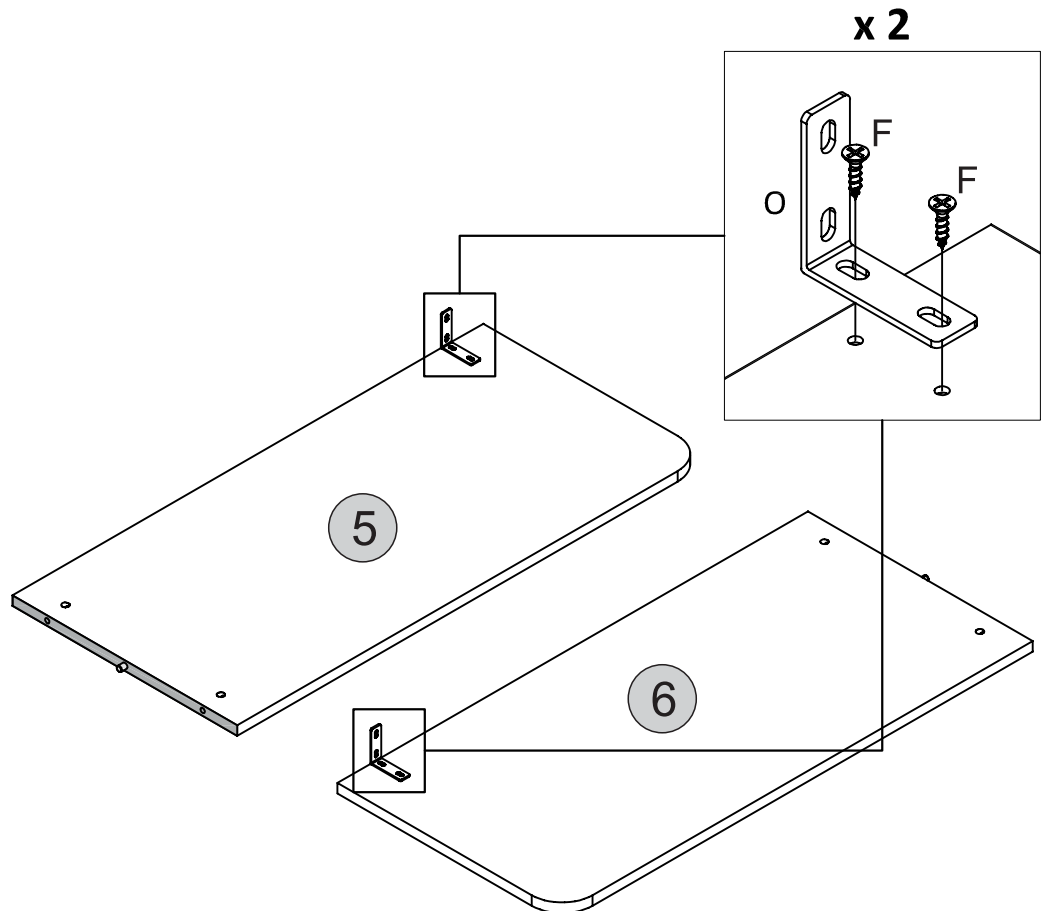
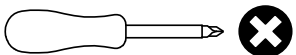
5 - FRONT SIDE RAIL (LEFT) x1

6 - FRONT SIDE RAIL (RIGHT) x1

HARDWARE REQUIRED

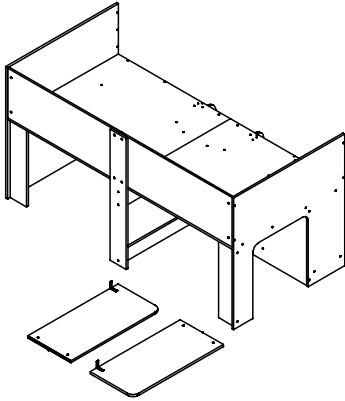


TOOLS REQUIRED



STEP 23

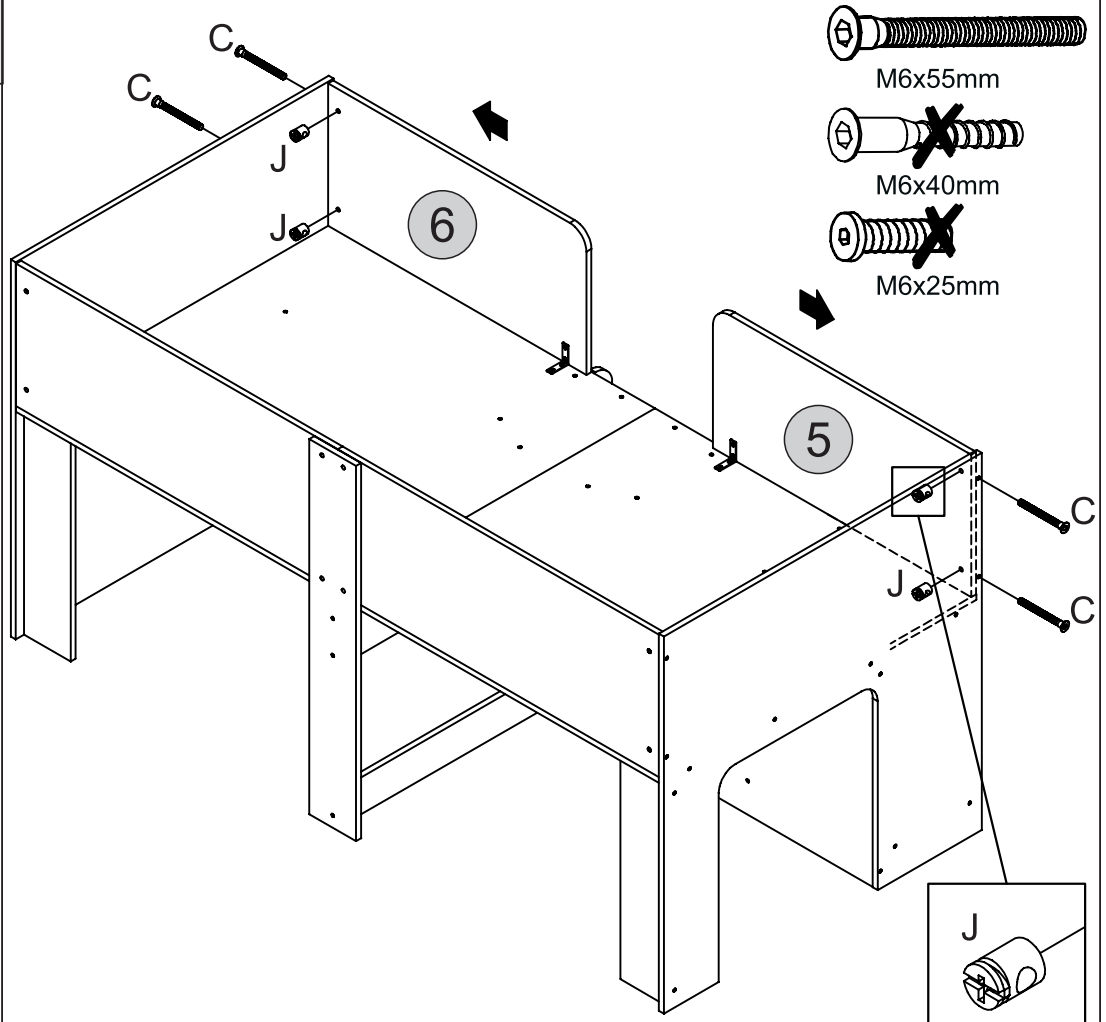
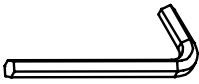
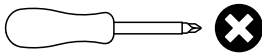
PARTS REQUIRED



HARDWARE REQUIRED

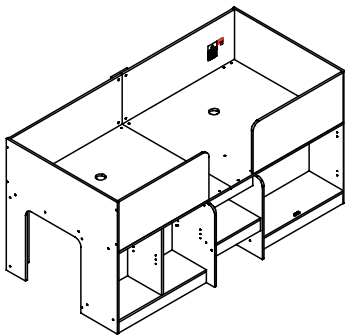


TOOLS REQUIRED

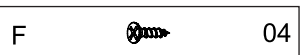
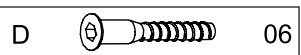


STEP 24

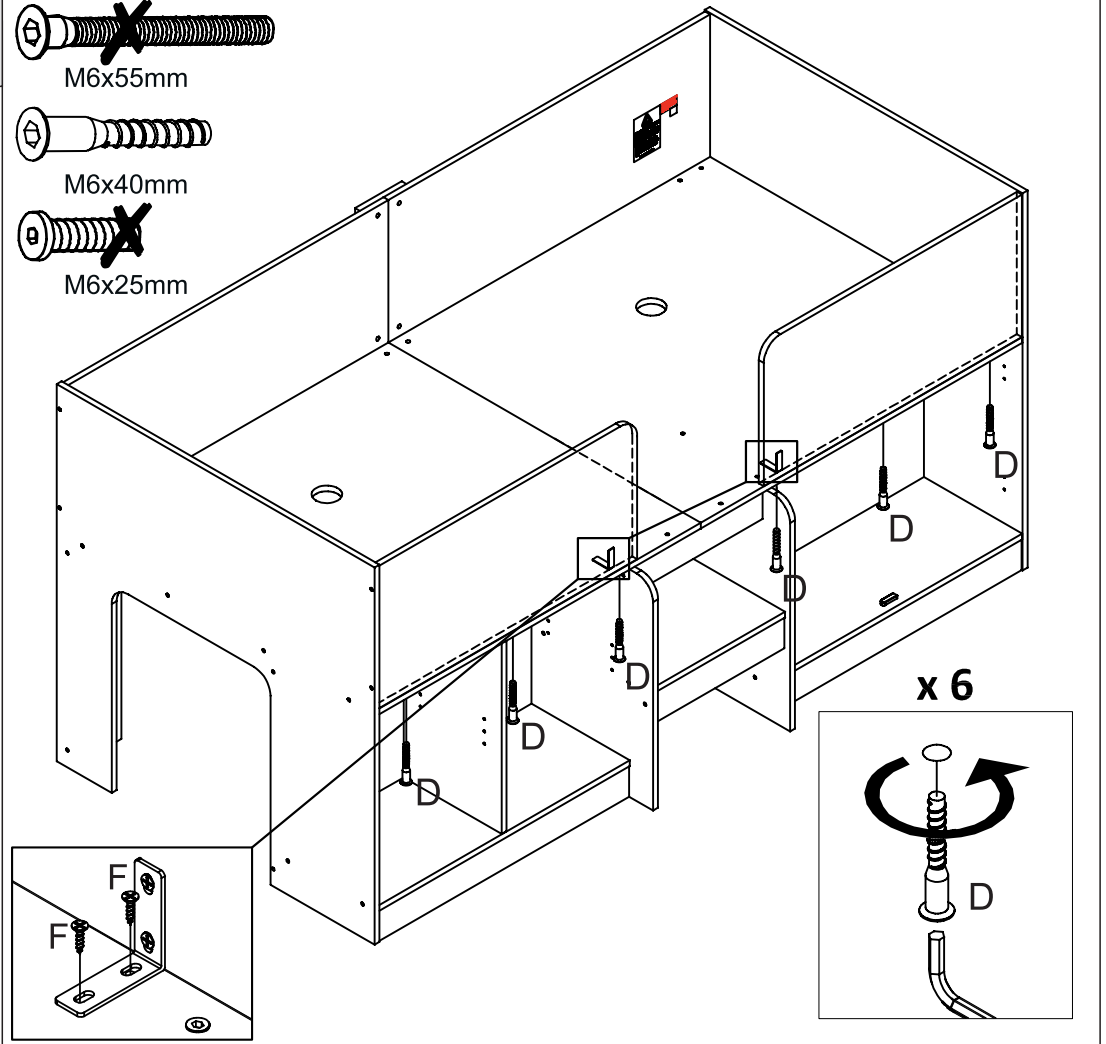
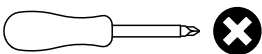
PARTS REQUIRED



HARDWARE REQUIRED



TOOLS REQUIRED



STEP 25

PARTS REQUIRED

19 - DOOR x2

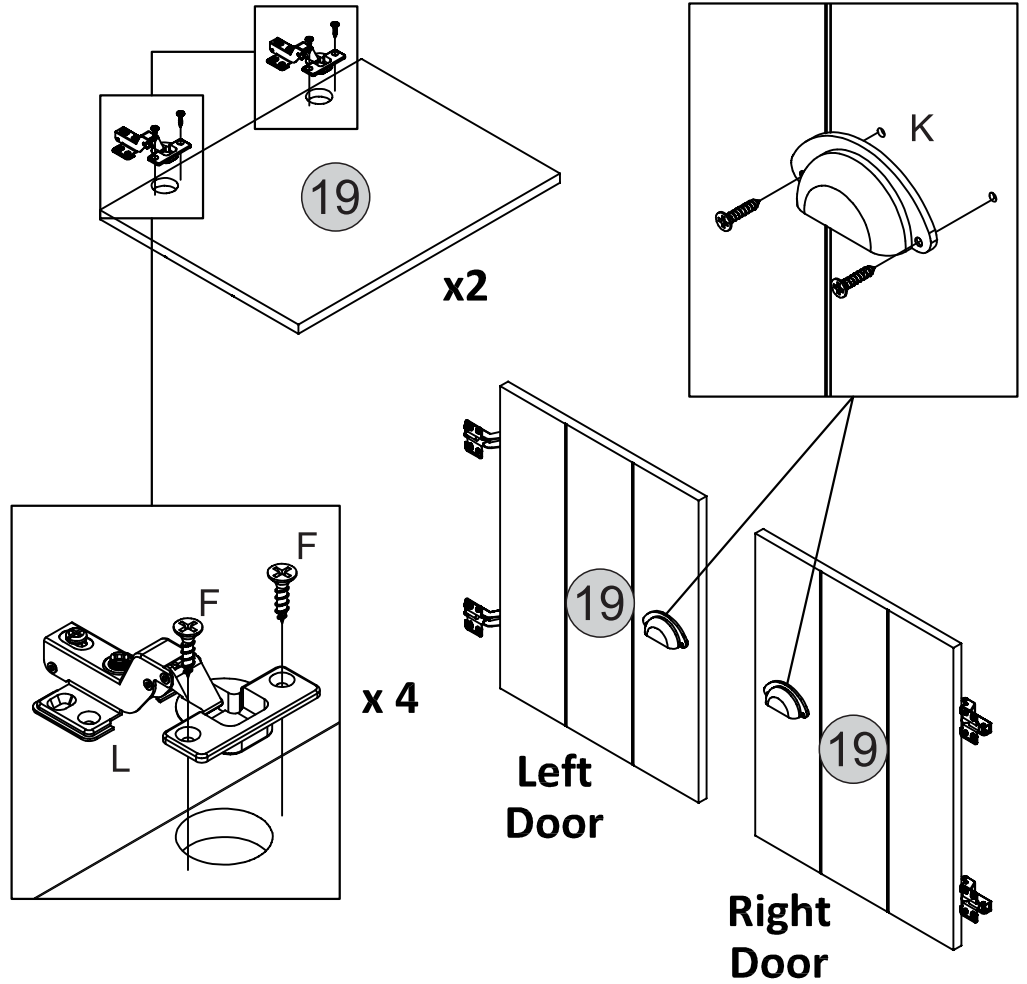
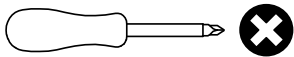
HARDWARE REQUIRED

F  08

K  02

L  04

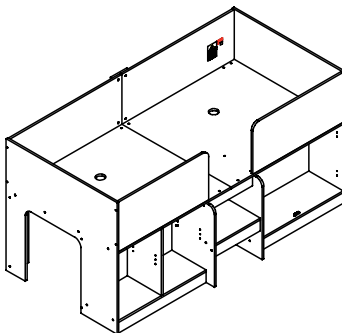
TOOLS REQUIRED



STEP 26

PARTS REQUIRED

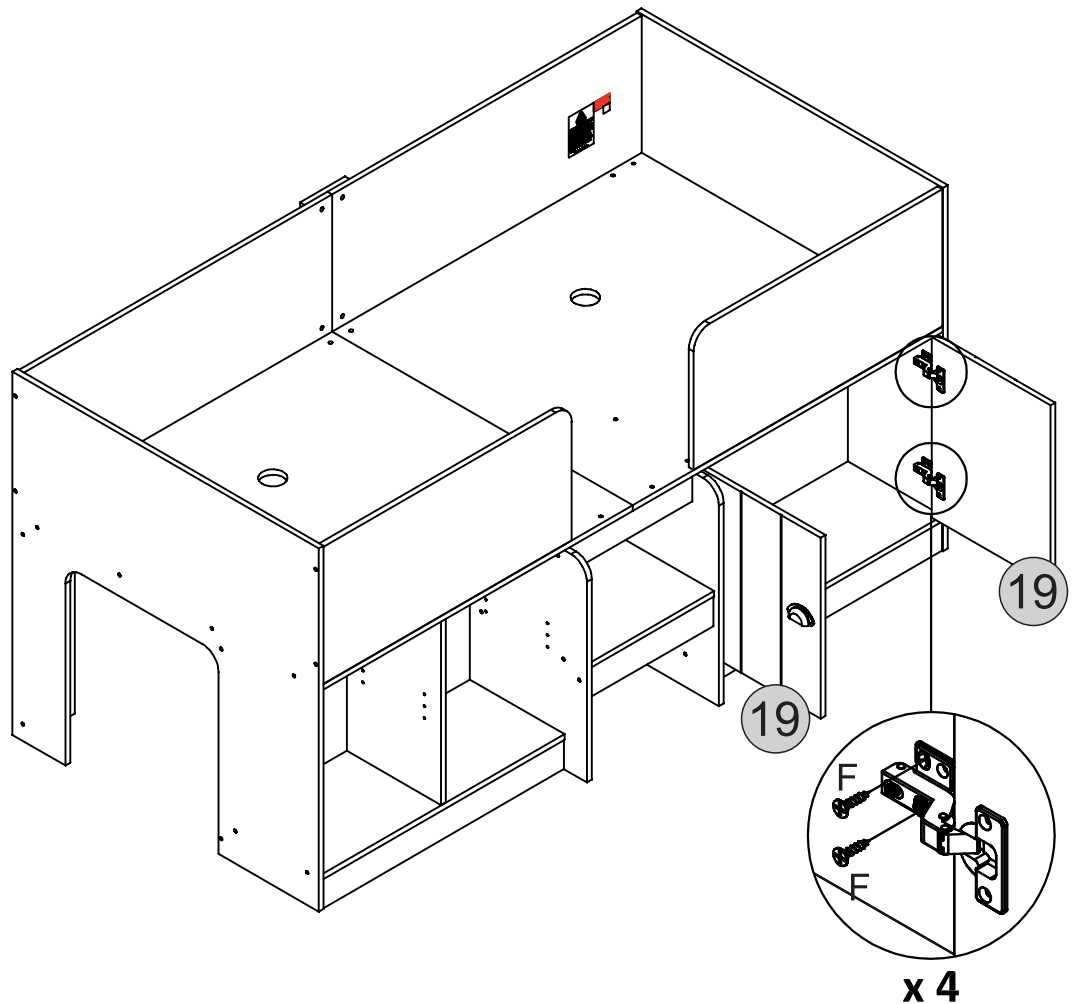
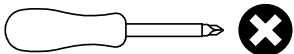
19 - DOOR x2



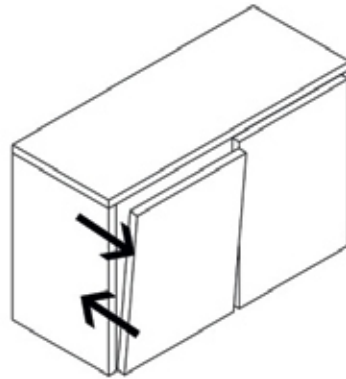
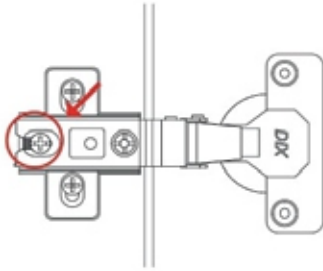
HARDWARE REQUIRED

F  08

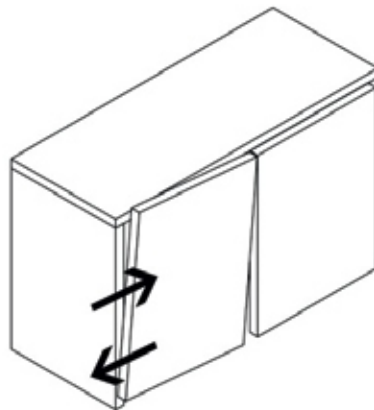
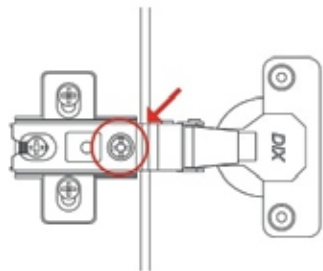
TOOLS REQUIRED



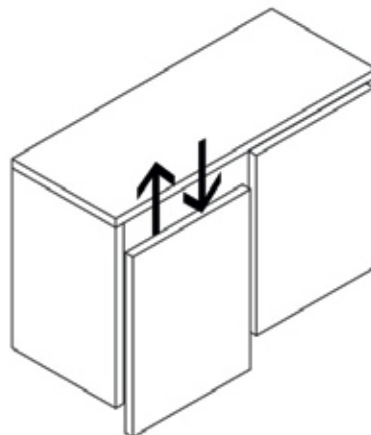
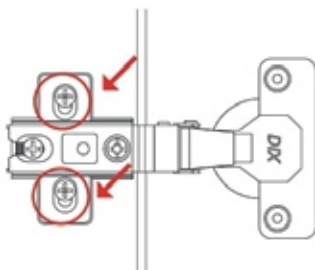
Adjusting Possibilities



Depth Adjustment
after loosening the hinge
arm mounting screw



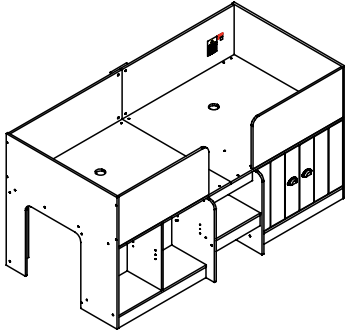
Lateral Adjustment
by adjusting screw



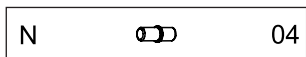
Vertical Adjustment
via mounting plate (via
slots or, if in two pieces,
via screw)

STEP 27

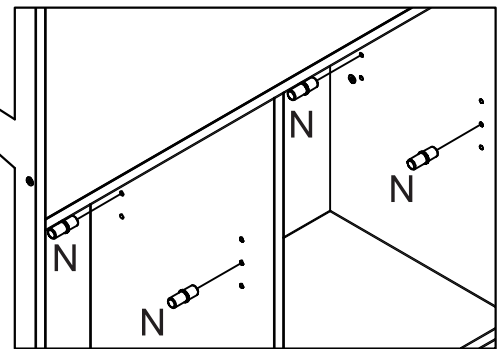
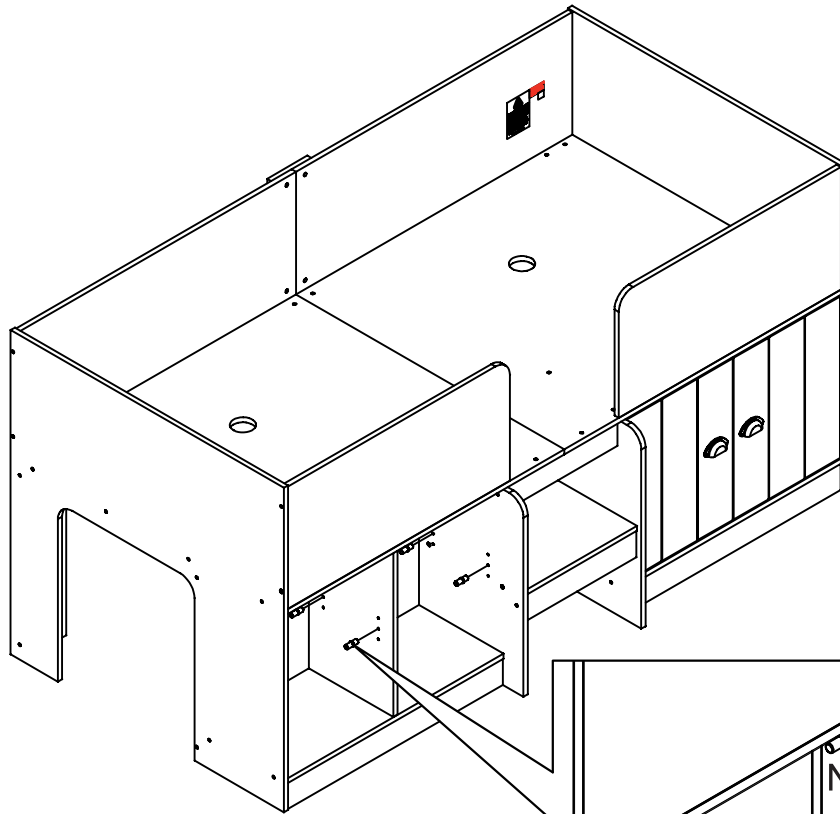
PARTS REQUIRED



HARDWARE REQUIRED

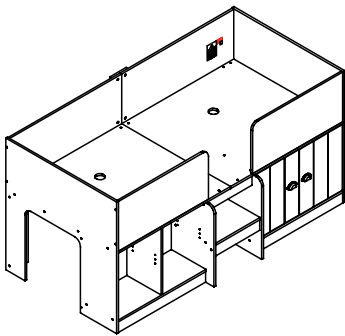


TOOLS REQUIRED

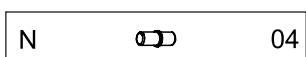


STEP 28

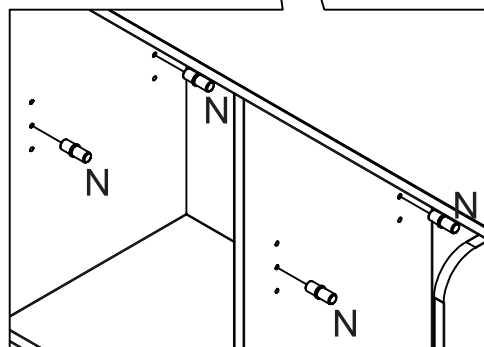
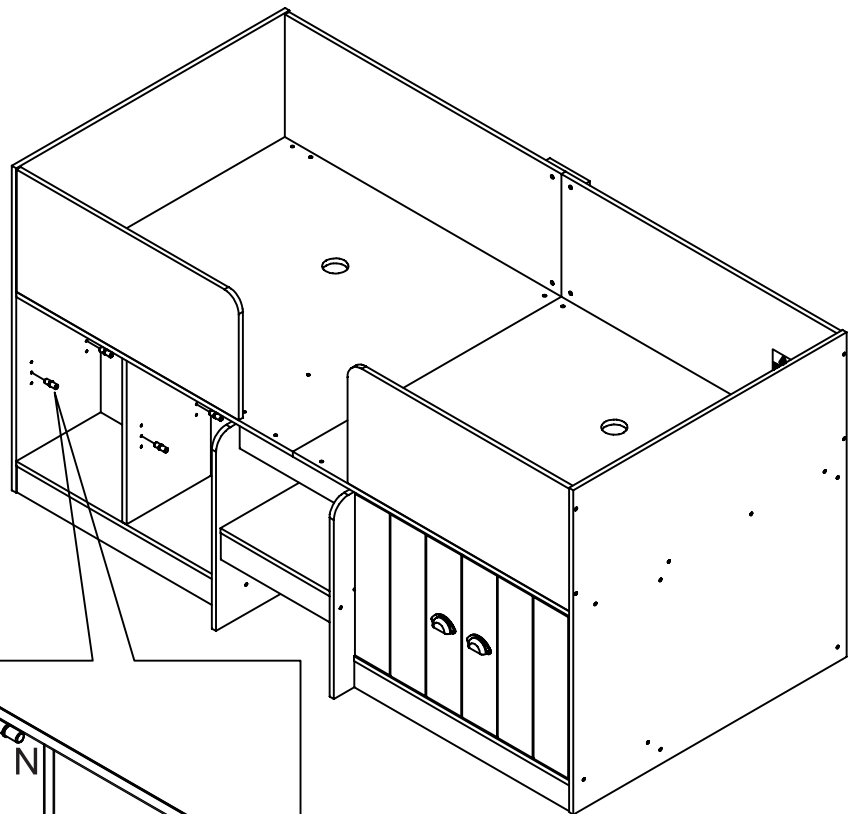
PARTS REQUIRED



HARDWARE REQUIRED



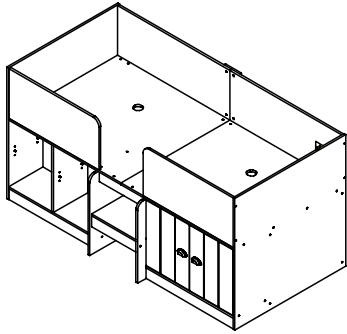
TOOLS REQUIRED



STEP 29

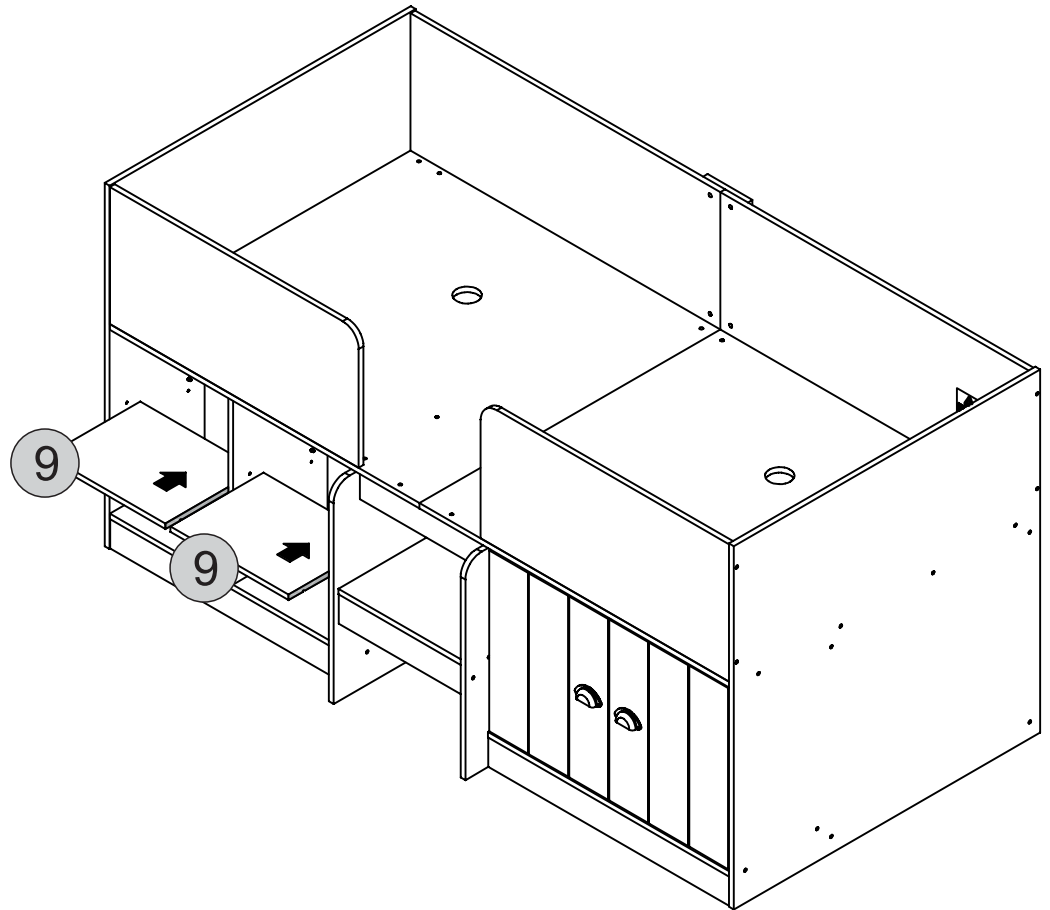
PARTS REQUIRED

9 - SHELF PANEL x2



HARDWARE REQUIRED

TOOLS REQUIRED



STEP 30

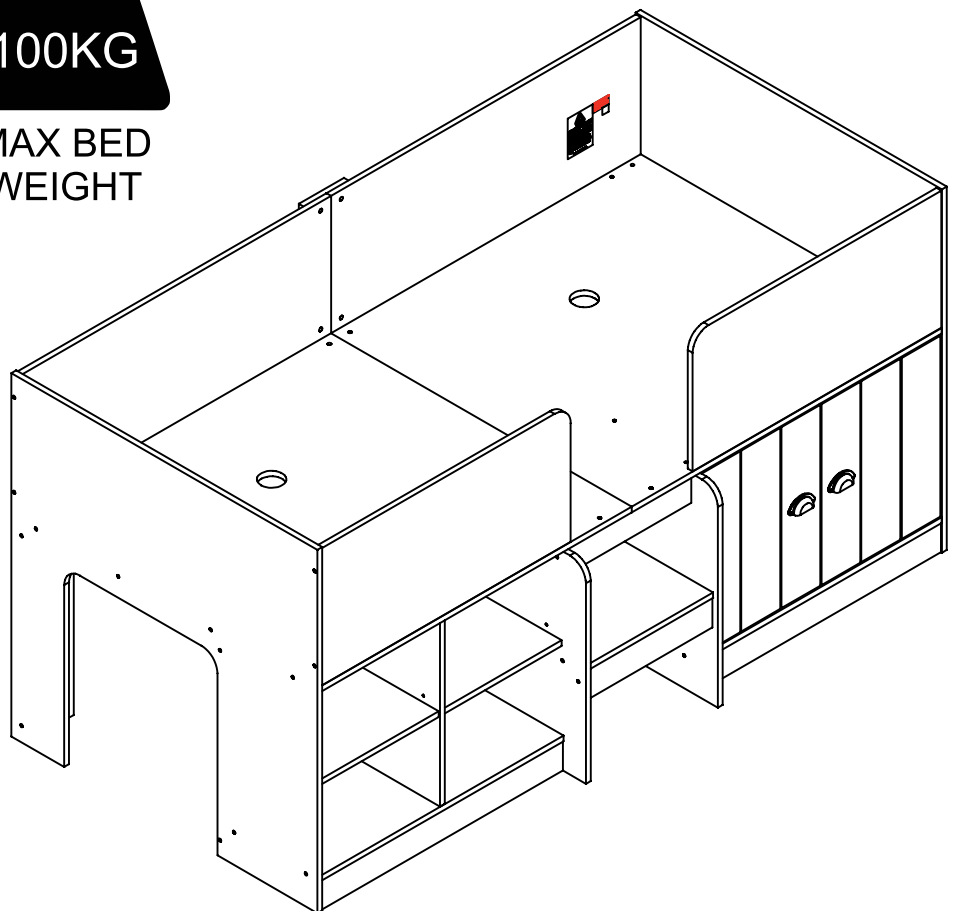
PARTS REQUIRED

HARDWARE REQUIRED

TOOLS REQUIRED



MAX BED WEIGHT



INFORMATIONS IMPORTANTES (FRENCH)	INFORMACIÓN IMPORTANTE (SPANISH)
<p style="text-align: center;">IMPORTANTE POUR USAGE DOMESTIQUE UNIQUEMENT VEUILLEZ LIRE AVANT DE CONTINUER</p> <p>AVERTISSEMENT Les lits hauts et le lit supérieur des lits superposés ne conviennent pas aux enfants de moins de six ans en raison du risque de blessure en cas de chute.</p> <p>AVERTISSEMENT Les lits superposés et les lits hauts peuvent présenter un risque sérieux de blessure par strangulation s'ils ne sont pas utilisés correctement. Ne jamais attacher ou suspendre des objets aux parties du lit superposé qui ne sont pas conçues pour être utilisées avec le lit, par exemple, mais sans s'y limiter ; cordes, ficelles, cordons, crochets, ceintures et sacs.</p> <p>AVERTISSEMENT Les enfants peuvent se retrouver coincés entre le lit et le mur, une pente de toit, le plafond, les meubles adjacents (par exemple les placards) et autres. Pour éviter tout risque de blessure grave, la distance entre la barrière de sécurité supérieure et la structure adjacente ne doit pas dépasser 75 mm ou être supérieure à 230 mm.</p> <p>AVERTISSEMENT N'utilisez pas le lit superposé/lit haut si une pièce structurelle est cassée ou manquante.</p> <p>La taille de matelas recommandée pour ce lit superposé/lit surélevé est de 1900 mm x 915 mm x 160 mm.</p> <p>Le dessus du matelas doit être au moins 160 mm sous le bord supérieur des barrières de sécurité.</p> <p>La hauteur maximale du matelas est clairement indiquée sur le lit superposé et NE DOIT PAS ÊTRE DÉPASSÉE.</p> <p>En fonction de la fréquence d'utilisation de ce produit, il peut être nécessaire de resserrer les fixations de temps en temps, ce qui est tout à fait normal pour tous les meubles en kit. NE SERREZ PAS TROP LES FIXATIONS.</p> <p>N'utilisez en aucun cas un outil électrique pour assembler ce produit. Deux personnes sont nécessaires pour assembler ce lit superposé/lit surélevé.</p> <p>Assemblez le plus près possible de sa position finale.</p> <p>Assemblez sur une surface douce et propre.</p> <p>Pour le nettoyage, vous pouvez utiliser un chiffon humide (pas mouillé).</p> <p>La pièce dans laquelle le lit est placé doit être ventilée pour éviter la moisissure dans et autour du lit.</p> <p>Ce lit superposé est fabriqué conformément à la norme BS EN 747:2012+A1:2015</p>	<p style="text-align: center;">IMPORTANTE SOLO PARA USO DOMÉSTICO LEER ANTES DE CONTINUAR</p> <p>ADVERTENCIA Las camas altas y la cama superior de las literas no son adecuadas para niños menores de seis años debido al riesgo de lesiones por caídas.</p> <p>ADVERTENCIA Las literas y las camas altas pueden presentar un riesgo grave de lesiones por estrangulamiento si no se utilizan correctamente. Nunca fije ni cuelgue elementos en ninguna parte de la litera que no estén diseñados para usarse con la cama, por ejemplo, pero no limitado a; cuerdas, cordones, ganchos, cinturones y bolsos.</p> <p>ADVERTENCIA Los niños pueden quedar atrapados entre la cama y la pared, un techo inclinado, el techo, muebles adyacentes (por ejemplo, armarios) y similares. Para evitar el riesgo de lesiones graves, la distancia entre la barrera de seguridad superior y la estructura adyacente no debe superar los 75 mm ni los 230 mm.</p> <p>ADVERTENCIA No utilice la litera/cama alta si alguna pieza estructural está rota o falta.</p> <p>El tamaño de colchón recomendado para esta litera/cama alta es de 1900 mm x 915 mm x 160 mm</p> <p>La parte superior del colchón debe estar al menos 160 mm por debajo del borde superior de las barreras de seguridad.</p> <p>La altura máxima del colchón está claramente marcada en la litera y NO SE DEBE SOBREPASAR.</p> <p>Dependiendo de la cantidad de uso que reciba este producto, puede ser necesario apretar las fijaciones de vez en cuando, esto es completamente normal para todos los muebles modulares. NO APRIETE DEMASIADO LAS FIJACIONES.</p> <p>No utilice bajo ningún motivo una herramienta eléctrica para ensamblar este producto.</p> <p>Se necesitan dos personas para ensamblar esta litera/cama alta.</p> <p>Ensamble lo más cerca posible de su posición final.</p> <p>Ensamble sobre una superficie suave y limpia.</p> <p>Para limpiar, puede usar un paño húmedo (no mojado).</p> <p>La habitación en la que se coloca la cama debe estar ventilada para evitar la formación de moho dentro y alrededor de la cama.</p> <p>Esta litera está fabricada de acuerdo con la norma BS EN 747:2012+A1:2015</p>
<p style="text-align: center;">WICHTIGE INFORMATIONEN (GERMAN)</p>	<p style="text-align: center;">INFORMAZIONI IMPORTANTI (ITALIAN)</p>
<p style="text-align: center;">WICHTIGUR FÜR DEN HAUSHALTSGEBRAUCH BITTE LESEN SIE, BEVOR SIE FORTFAHREN</p> <p>WARNUNG Hochbetten und das obere Bett von Etagenbetten sind aufgrund der Verletzungsgefahr durch Stürze nicht für Kinder unter sechs Jahren geeignet.</p> <p>WARNUNG Etagenbetten und Hochbetten können bei unsachgemäßer Verwendung eine ernsthafte Verletzungsgefahr durch Strangulation darstellen. Befestigen oder hängen Sie niemals Gegenstände an Teilen des Etagenbetts auf, die nicht für die Verwendung mit dem Bett vorgesehen sind, beispielsweise, aber nicht beschränkt auf, Seile, Schnüre, Kordeln, Haken, Gürtel und Taschen.</p> <p>WARNUNG Kinder können zwischen dem Bett und der Wand, einer Dachschräge, der Decke, angrenzenden Möbelstücken (z. B. Schränken) und dergleichen eingeklemmt werden. Um das Risiko schwerer Verletzungen zu vermeiden, darf der Abstand zwischen der oberen Sicherheitsbarriere und der angrenzenden Struktur 75 mm nicht überschreiten oder mehr als 230 mm betragen.</p> <p>WARNUNG Verwenden Sie das Etagenbett/Hochbett nicht, wenn ein Strukturteil gebrochen ist oder fehlt.</p> <p>Die empfohlene Matratzengröße für dieses Etagenbett/Hochbett beträgt 1900 mm x 915 mm x 160 mm.</p> <p>Die Oberseite der Matratze muss mindestens 160 mm unter der Oberkante der Sicherheitsbarrieren liegen.</p> <p>Die maximale Matratzenhöhe ist auf dem Etagenbett deutlich gekennzeichnet und DARF NICHT ÜBERSCHRITTEN WERDEN.</p> <p>Je nach Nutzungsintensität dieses Produkts kann es von Zeit zu Zeit erforderlich sein, die Befestigungen festzuziehen. Dies ist bei allen Möbeln aus dem Bausatz völlig normal. ZIEHEN SIE DIE BEFESTIGUNGEN NICHT ZU FEST.</p> <p>Verwenden Sie zum Zusammenbau dieses Produkts unter keinen Umständen ein Elektrowerkzeug.</p> <p>Zum Zusammenbau dieses Etagenbetts/Hochbetts sind zwei Personen erforderlich.</p> <p>So nah wie möglich an der endgültigen Position zusammenbauen.</p> <p>Auf einer weichen, sauberen Oberfläche zusammenbauen.</p> <p>Zum Reinigen können Sie ein feuchtes Tuch verwenden (nicht nass).</p> <p>Der Raum, in dem das Bett steht, sollte belüftet sein, um Schimmel im und um das Bett herum zu verhindern.</p> <p>Dieses Etagenbett wird gemäß BS EN 747:2012+A1:2015 hergestellt.</p>	<p style="text-align: center;">IMPORTANTE, SOLO PER USO DOMESTICO SI PREGA DI LEGGERE PRIMA DI CONTINUARE OLTRE</p> <p>ATTENZIONE I letti alti e il letto superiore dei letti a castello non sono adatti ai bambini di età inferiore ai sei anni a causa del rischio di lesioni da cadute.</p> <p>ATTENZIONE I letti a castello e i letti alti possono presentare un grave rischio di lesioni da strangolamento se non utilizzati correttamente.</p> <p>Non attaccare o appendere mai oggetti a parti del letto a castello che non siano progettati per essere utilizzati con il letto, ad esempio, ma non solo; corde, spaghi, corde, ganci, cinture e borse.</p> <p>ATTENZIONE I bambini possono rimanere intrappolati tra il letto e il muro, la pendenza del tetto, il soffitto, mobili adiacenti (ad esempio armadi) e simili. Per evitare il rischio di lesioni gravi, la distanza tra la barriera di sicurezza superiore e la struttura adiacente non deve superare i 75 mm o deve essere superiore a 230 mm.</p> <p>ATTENZIONE Non utilizzare il letto a castello/letto alto se una qualsiasi parte strutturale è rotta o mancante. Le dimensioni consigliate per il materasso per questo letto a castello/letto alto sono 1900 mm x 915 mm x 160 mm</p> <p>La parte superiore del materasso deve essere almeno 160 mm sotto il bordo superiore delle barriere di sicurezza.</p> <p>L'altezza massima del materasso è chiaramente indicata sul letto a castello e NON DEVE ESSERE SUPERATA.</p> <p>A seconda della quantità di utilizzo di questo prodotto, potrebbe essere necessario stringere i fissaggi di tanto in tanto, il che è del tutto normale per tutti i mobili in kit. NON SERRARE ECCESSIVAMENTE I FISSAGGI.</p> <p>Non utilizzare per nessun motivo un elettroutensile per montare questo prodotto.</p> <p>Sono necessarie due persone per montare questo letto a castello/letto alto.</p> <p>Montare il più vicino possibile alla sua posizione finale.</p> <p>Montare su una superficie morbida e pulita.</p> <p>Per la pulizia, è possibile utilizzare un panno umido (non bagnato).</p> <p>La stanza in cui è posizionato il letto deve essere ventilata per evitare la formazione di muffa dentro e intorno al letto.</p> <p>Questo letto a castello è prodotto in conformità alla norma BS EN 747:2012+A1:2015</p>