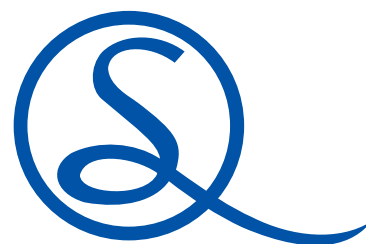
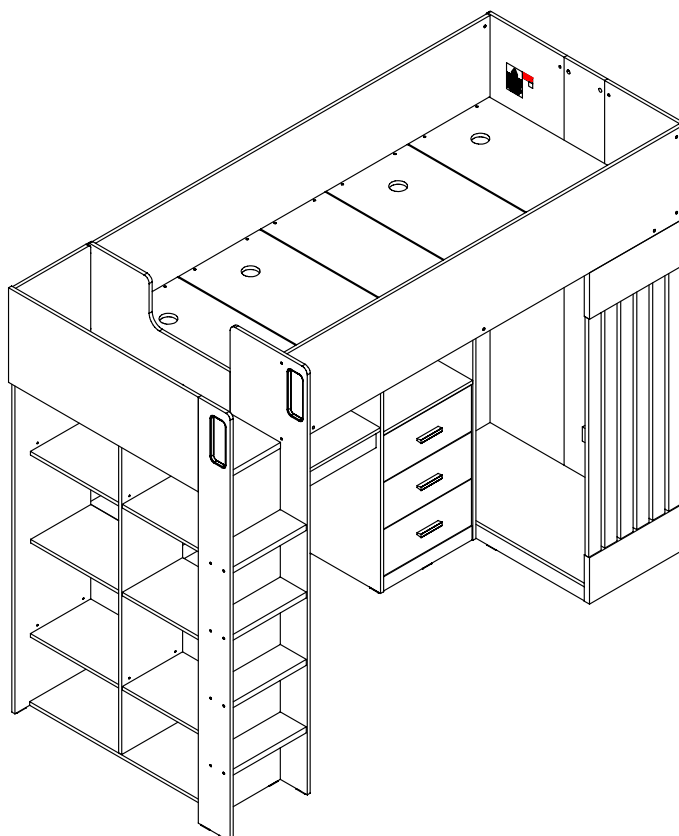
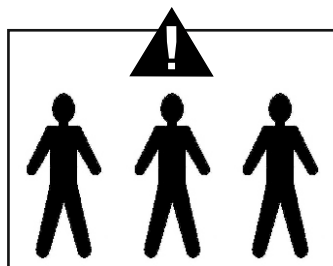


# JUPITER HIGH SLEEPER BED ASSEMBLY INSTRUCTIONS



100KG  
MAX BED  
WEIGHT



FOR DOMESTIC USE ONLY

IMPORTANT

PLEASE READ BEFORE YOU CONTINUE FURTHER

**WARNING** “High beds and the upper bed of bunk beds are not suitable for children under the age of six years due to the risk of injury from falls”.

**WARNING** “Bunk beds and high beds can present a serious risk of injury from strangulation if not used correctly. Never attach or hang items to any part of the bunk bed that are not designed to be used with the bed, for example, but not limited to; ropes, strings, cords, hooks, belts and bags”.

**WARNING** “Children can become trapped between the bed and the wall, a roof pitch, the ceiling, adjoining pieces of furniture (e.g. cupboards) and the like. To avoid risk of serious injury the distance between the top safety barrier and the adjoining structure shall not exceed 75mm or shall be more than 230mm”.

**WARNING** Do not use the bunk bed/high bed if any structural part is broken or missing.

The recommended mattress size for this bunk bed/high bed is 1900mm x 915mm x 150mm.

The maximum mattress height is 180mm.

The maximum mattress height is clearly marked on the bunk bed and **MUST NOT BE EXCEEDED**.

Depending on the amount of use this product receives it may be necessary to tighten up the fixings from time to time, this is completely normal for all flat pack furniture. **DO NOT OVER TIGHTEN FIXINGS**. Do not for any reason use a power tool to assemble this product.

Two persons are required to assemble this bunk bed/high bed.

Assemble as close to its final position as possible.

Assemble on a soft clean surface.

For cleaning you may use a damp cloth (not wet).

The room in which the bed is positioned should be ventilated to prevent mould in and around the bed.

This bunk bed is manufactured to conform to BS EN 747:2012+A1:2015

# PART LIST

<b>Part Number</b>	<b>Part Code</b>	<b>Part Description</b>	<b>Quantity</b>	<b>Carton</b>
1	S200-206-022-ZF1-01	Plinth Panel (Wardrobe)	1	4/5
2	S200-206-022-ZF1-02	Bottom Panel (Wardrobe)	1	5/5
3	S200-206-022-ZF1-03	Top Panel (Wardrobe)	1	5/5
4	S200-206-022-ZF1-04	Left Panel (Wardrobe)	1	4/5
5	S200-206-022-ZF1-05	Right Panel (Wardrobe)	1	4/5
6	S200-206-022-ZF1-06	Right End Panel (Back)	1	2/5
7	S200-206-022-ZF1-07	Right End Panel (Center)	1	2/5
8	S200-206-022-ZF1-08	Right End Panel (Front)	1	2/5
9	S200-206-022-ZF1-09	Plinth Panel (Cabinet)	1	3/5
10	S200-206-022-ZF1-10	Bottom Panel (Cabinet)	1	3/5
11	S200-206-022-ZF1-11	Support Panel (Cabinet)	2	3/5
12	S200-206-022-ZF1-12	Centre Panel (Cabinet)	1	5/5
13	S200-206-022-ZF1-13	Moveable Panel (Cabinet)	2	3/5
14	S200-206-022-ZF1-14	Top Panel (Cabinet)	1	5/5
15	S200-206-022-ZF1-15	Left Panel (Cabinet)	1	4/5
16	S200-206-022-ZF1-16	Lower Back Panel (Cabinet)	1	5/5
17	S200-206-022-ZF1-17	Top Back Panel (Cabinet)	1	5/5
18	S200-206-022-ZF1-18	Right Panel (Cabinet)	1	4/5
19	S200-206-022-ZF1-19	Back Panel (Drawer)	3	5/5
20	S200-206-022-ZF1-20	Left Panel (Drawer)	3	5/5
21	S200-206-022-ZF1-21	Right Panel (Drawer)	3	5/5
22	S200-206-022-ZF1-22	Bottom Panel (Drawer)	3	5/5
23	S200-206-022-ZF1-23	Front Panel (Drawer)	3	5/5
24	S200-206-022-ZF1-24	Top Panel (Desk)	1	5/5
25	S200-206-022-ZF1-25	Support Panel (Desk)	2	3/5
26	S200-206-022-ZF1-26	Bottom Panel (Shelf)	1	1/5
27	S200-206-022-ZF1-27	Centre Panel (Shelf)	1	5/5
28	S200-206-022-ZF1-28	Fixed Left Shelf	1	1/5
29	S200-206-022-ZF1-29	Fixed Right Shelf	1	1/5
30	S200-206-022-ZF1-30	Right Panel (Shelf)	1	4/5
31	S200-206-022-ZF1-31	Top Panel (Shelf)	1	1/5
32	S200-206-022-ZF1-32	Left Panel (Shelf)	1	2/5
33	S200-206-022-ZF1-33	Left Panel	1	1/5
34	S200-206-022-ZF1-34	Right Panel	1	1/5
35	S200-206-022-ZF1-35	Ladder Step	4	3/5
36	S200-206-022-ZF1-36	Left Panel (Ladder)	1	3/5
37	S200-206-022-ZF1-37	Right Panel (Ladder)	1	2/5
38	S200-206-022-ZF1-38	Side Panel	2	3/5
39	S200-206-022-ZF1-39	Support Panel (Shelf)	1	4/5
40	S200-206-022-ZF1-40	Base Panel	4	1/5
41	S200-206-022-ZF1-41	Centre Base Panel	1	3/5
42	S200-206-022-ZF1-42	Right Moveable Shelf	2	1/5
43	S200-206-022-ZF1-43	Left Moveable Shelf	2	1/5
44	S200-206-022-ZF1-44	Side Rail	2	3/5
45	S200-206-022-ZF1-45	Center Support Panel (Wardrobe)	1	3/5
46	S200-206-022-ZF1-46	Hanging Rail	1	4/5
47	S200-206-022-ZF1-47	Metal Support Rail	1	3/5

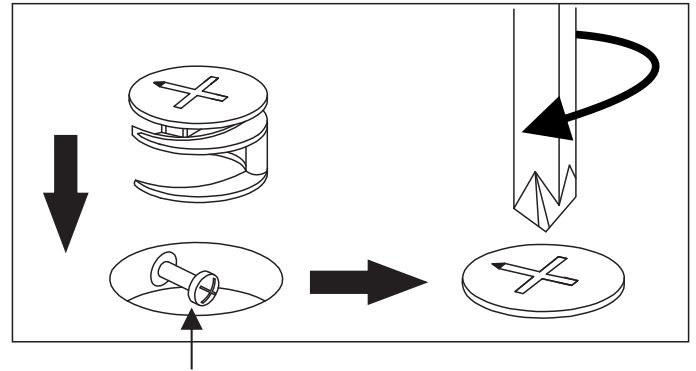
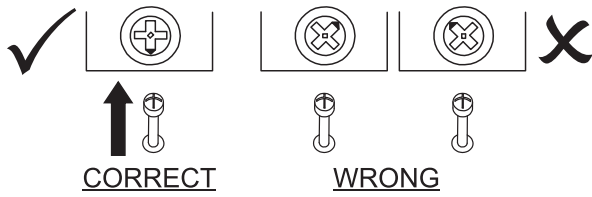


# HARDWARE LIST

No.	Part Name		Qty	Carton
A	Cam		87	3/5
B	Cam Stud		77	3/5
C	Contractfix Dowel		10	3/5
D	M8 x 25mm Dowel		124	3/5
E	M8 x 30mm Dowel		16	3/5
F	M6 x 40mm Unitar Screw		23	3/5
G	38mm Chipboard Screw		12	3/5
H	14mm Chipboard Screw		34	3/5
J	14" Drawer Slide		3 SET	5/5
K	Metal Shelf Support		24	3/5
L	Hanging Rail Holder		2	3/5
M	Handle		3	3/5
N	Handle Screw		6	3/5
P	M6 x 13mm Baller		30	3/5
Q	M6 Round Nut		8	3/5
R	M6 x 55mm JCBC Unitar		30	3/5
S	M6 x 35mm Allen Bolt		10	3/5
T	M6 x 25mm Allen Bolt		1	3/5
U	M6 x 15mm JCN Nut		6	3/5
V	M6 Allen Wrench		2	3/5
W	Felt Pads (45 x 14mm)		26	3/5
X	Circle Sticker		12	3/5
Y	25mm Chipboard Screw		6	3/5

# TIPS FOR FITTINGS CAM-LOCKS

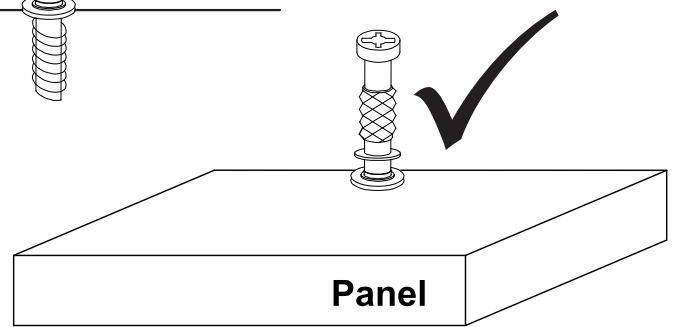
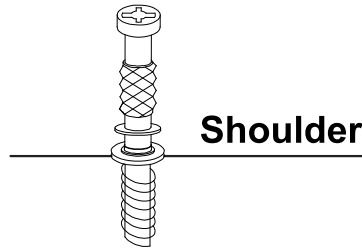
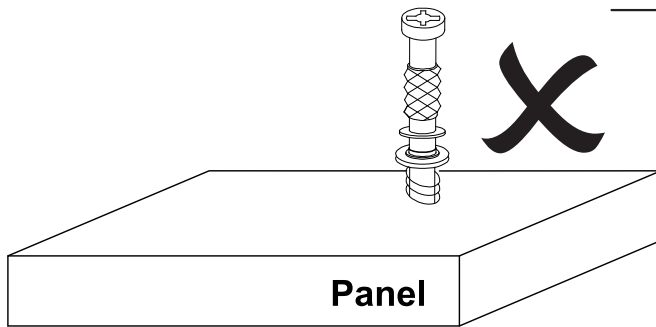
WHEN FITTING CAM NUT. ENSURE STARTING POSITION IS CORRECT BEFORE YOU INSERT CONNECTING CAM BOLT TURN CLOCKWISE UNTIL SECURE



Cam bolt head needs to be in centre

## CAMBOLT

Tighten until shoulder in flush with panel. Do not overtighten or undertighten (see example below)



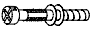
# STEP 1

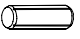
## PARTS REQUIRED

4 - LEFT PANEL (WARDROBE) x1

5 - RIGHT PANEL (WARDROBE) x1

## HARDWARE REQUIRED

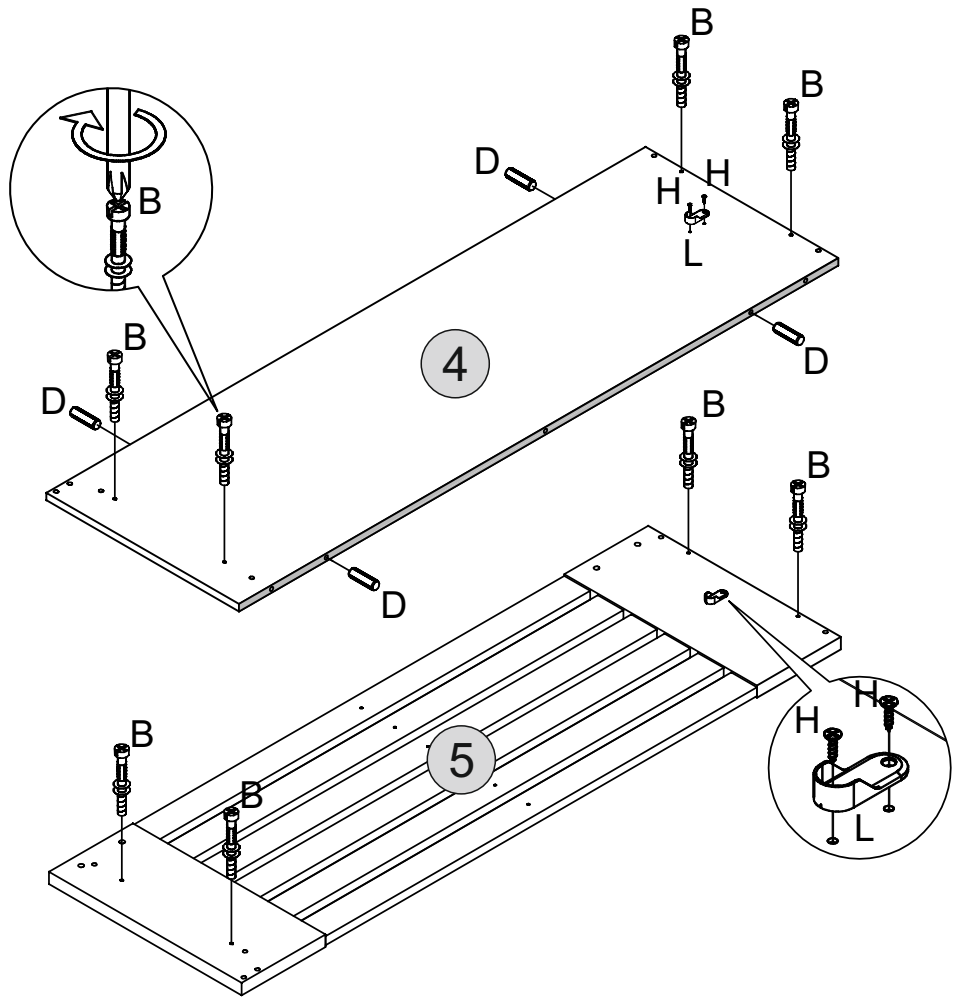
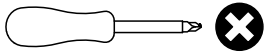
B  08

D  04

H  04

L  02

## TOOLS REQUIRED



# STEP 2

## PARTS REQUIRED

1- PLINTH PANEL (WARDROBE) x1

2- BOTTOM PANEL (WARDROBE) x1

3- TOP PANEL (WARDROBE) x1

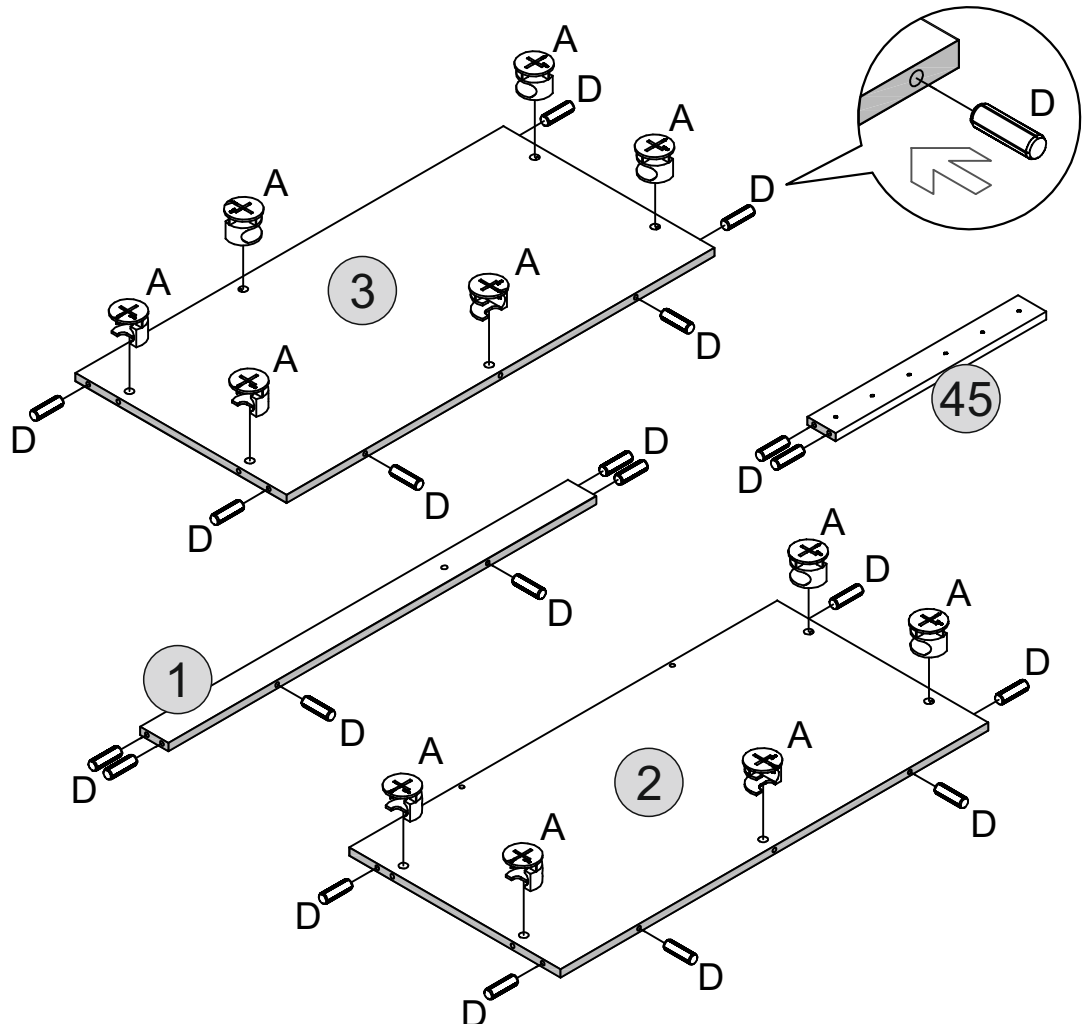
45- CENTER SUPPORT PANEL x1

## HARDWARE REQUIRED

A  11

D  20

## TOOLS REQUIRED

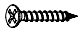


# STEP 3

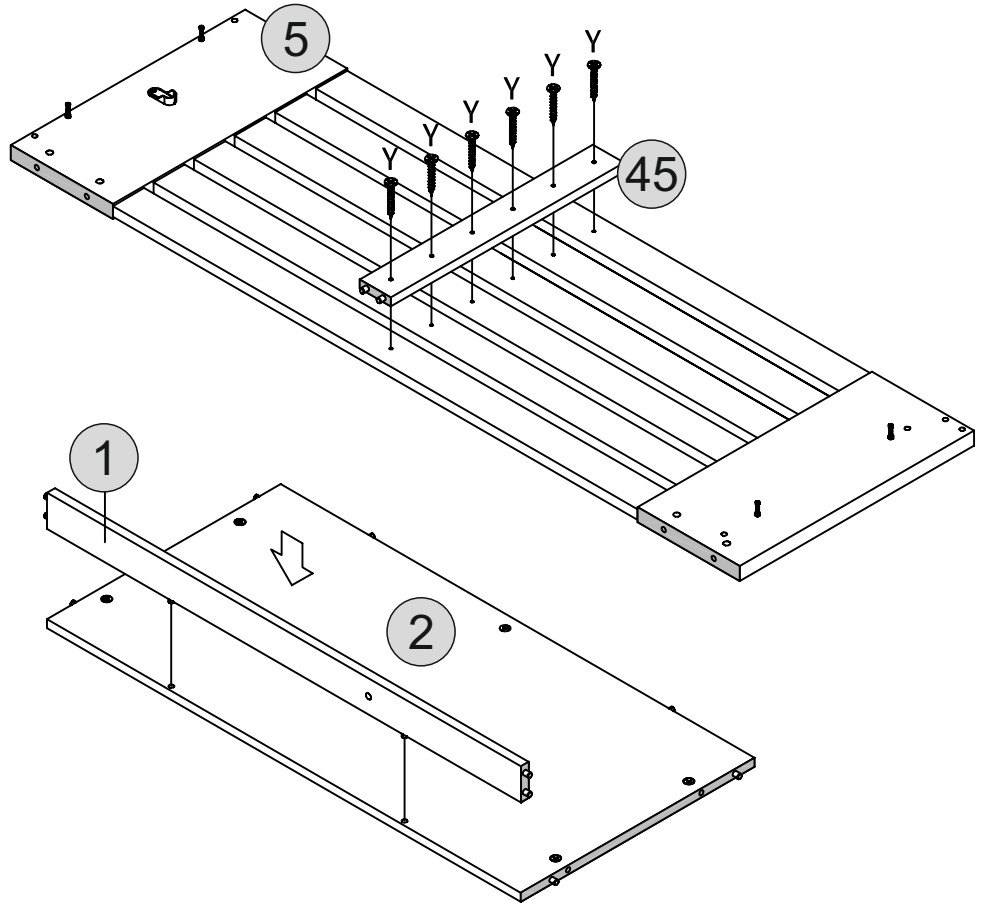
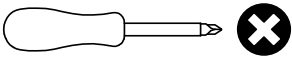
## PARTS REQUIRED

- 1- PLINTH PANEL (WARDROBE) x1
- 2- BOTTOM PANEL (WARDROBE) x1
- 5- RIGHT PANEL (WARDROBE) x1
- 45- CENTER SUPPORT PANEL x1

## HARDWARE REQUIRED

Y  06

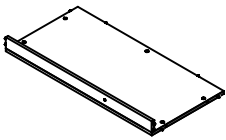
## TOOLS REQUIRED



# STEP 4

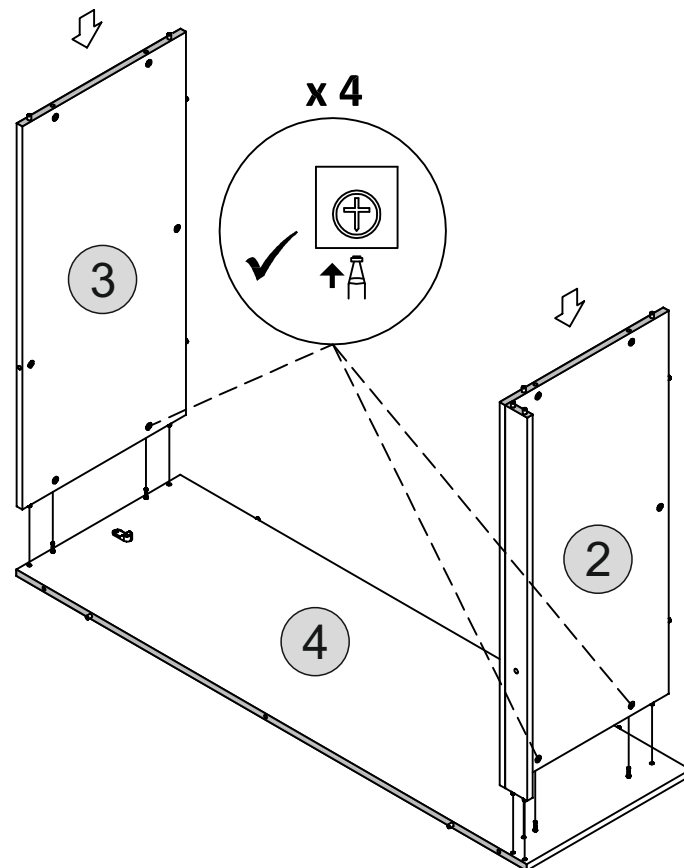
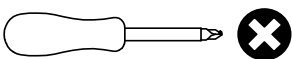
## PARTS REQUIRED

- 3- TOP PANEL (WARDROBE) x1
- 4- LEFT PANEL (WARDROBE) x1



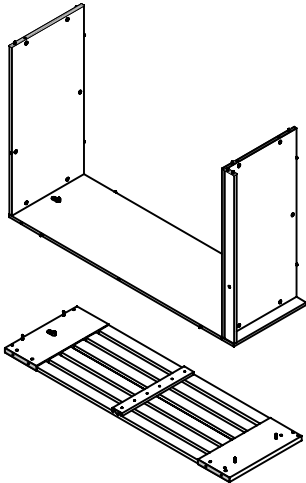
## HARDWARE REQUIRED

## TOOLS REQUIRED



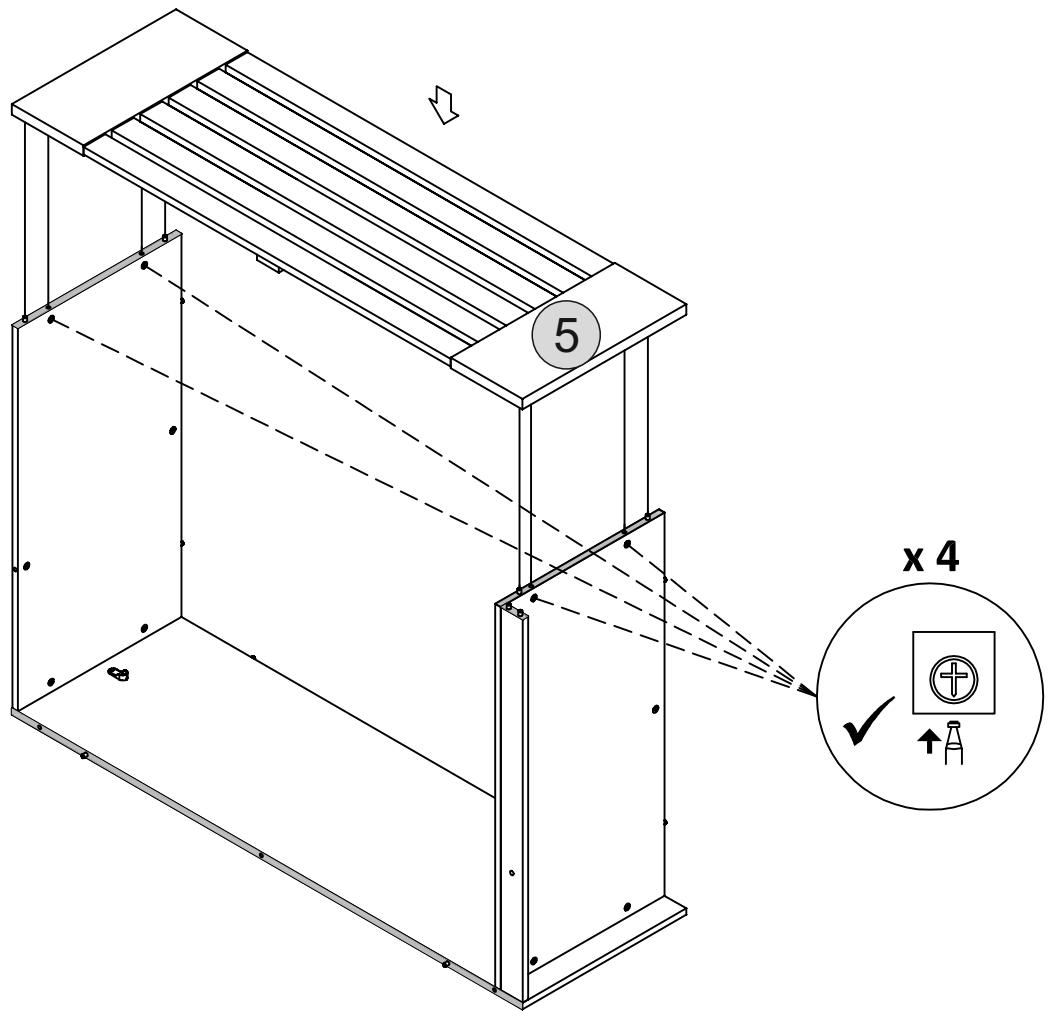
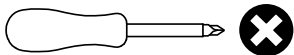
# STEP 5

**PARTS REQUIRED**



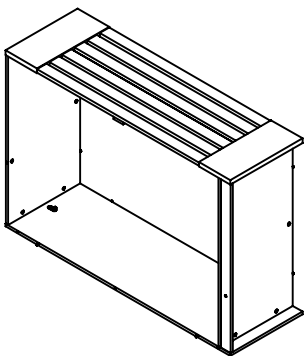
**HARDWARE REQUIRED**

**TOOLS REQUIRED**

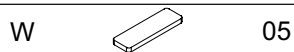


# STEP 6

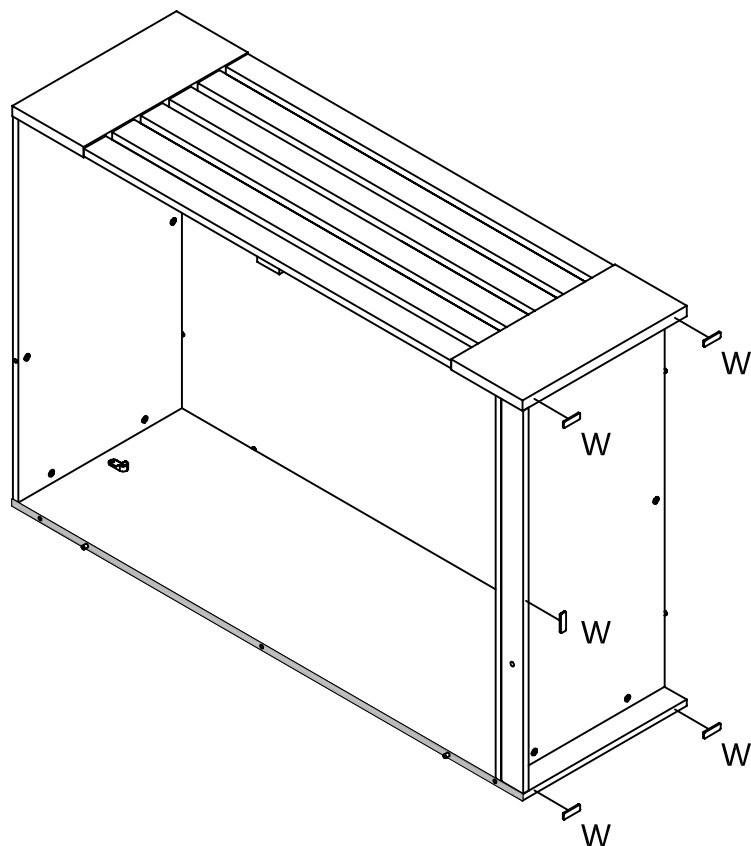
**PARTS REQUIRED**



**HARDWARE REQUIRED**



**TOOLS REQUIRED**




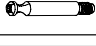
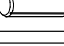



# STEP 7

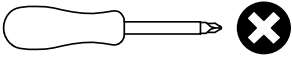
## PARTS REQUIRED

- 6- RIGHT END PANEL (BACK) x1
- 7- RIGHT END PANEL (CENTRE) x1
- 8- RIGHT END PANEL (FRONT) x1

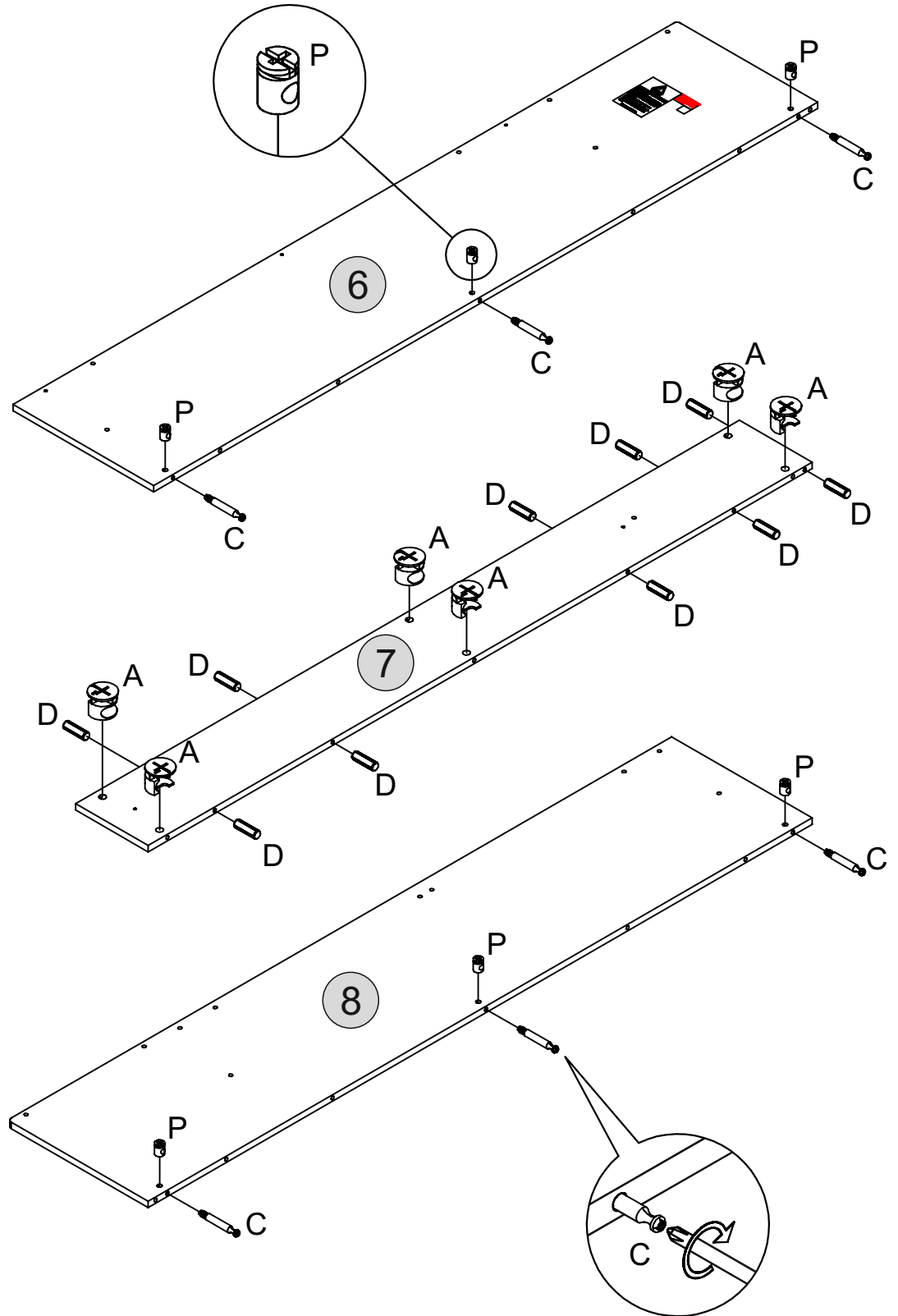
## HARDWARE REQUIRED

- |   |   |    |
|---|---|----|
| A |  | 06 |
| C |  | 06 |
| D |  | 10 |
| P |  | 06 |

## TOOLS REQUIRED



**WHEN FITTING CAMS**  
 ENSURE STARTING POSITION IS CORRECT  
 BEFORE YOU INSERT CONNECTING BOLT  
 TURN CLOCKWISE UNTIL SECURE



# STEP 8

## PARTS REQUIRED

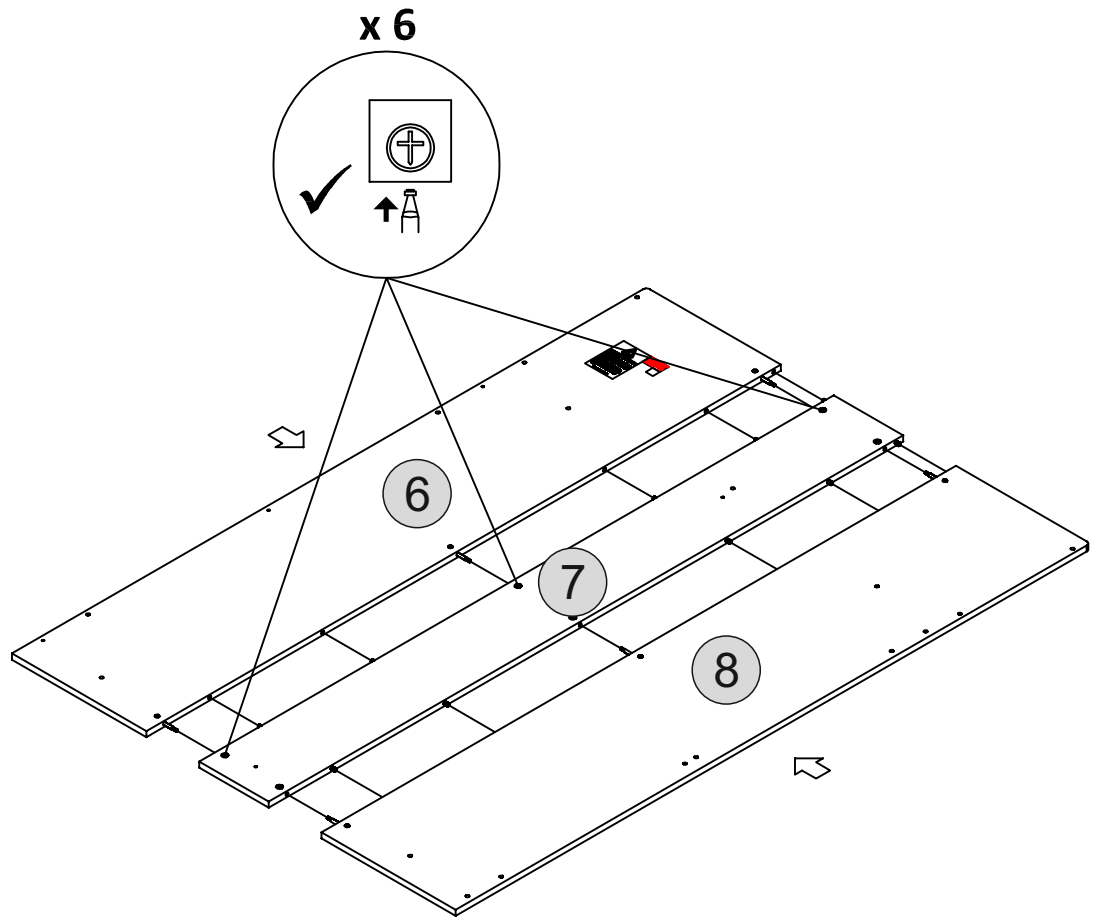
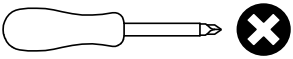
6- RIGHT END PANEL (BACK) x1

7- RIGHT END PANEL (CENTER) x1

8- RIGHT END PANEL (FRONT) x1

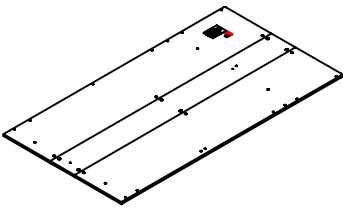
## HARDWARE REQUIRED

## TOOLS REQUIRED

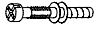



# STEP 9

## PARTS REQUIRED



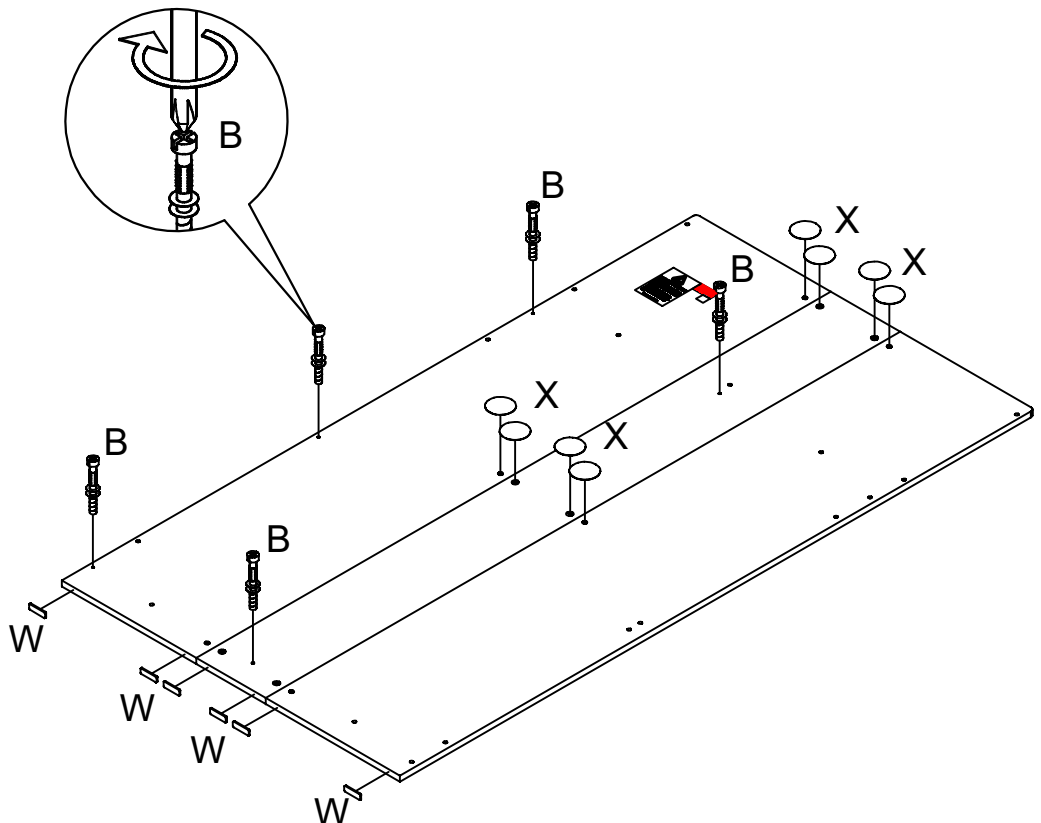
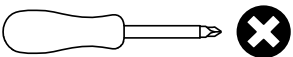
## HARDWARE REQUIRED

B  05

W  06

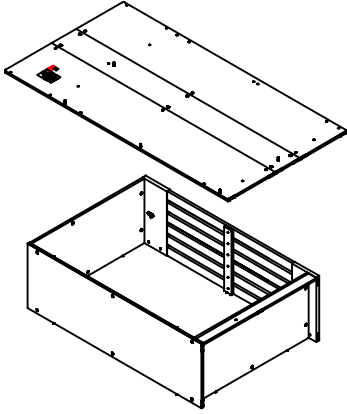
X  08

## TOOLS REQUIRED



# STEP 10

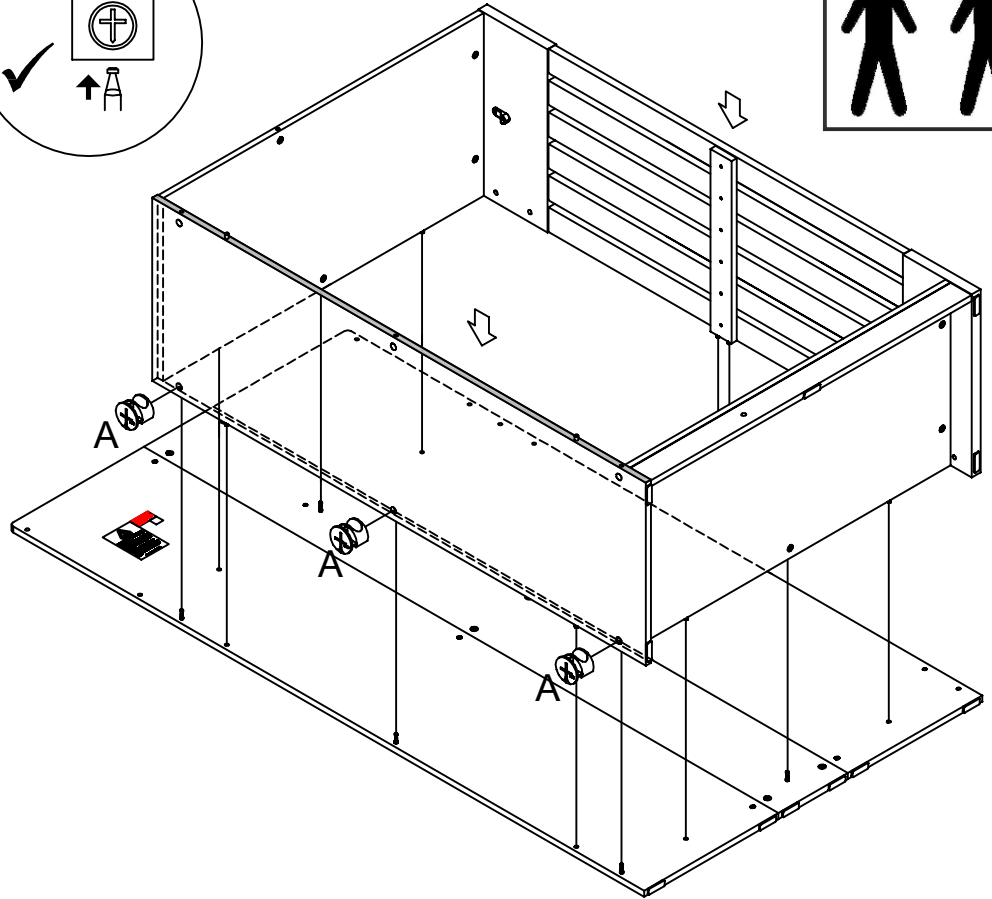
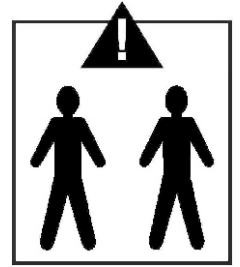
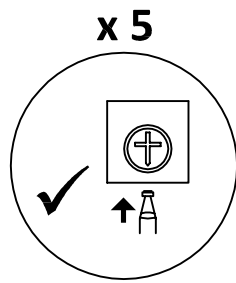
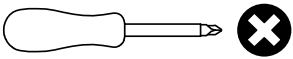
## PARTS REQUIRED



## HARDWARE REQUIRED

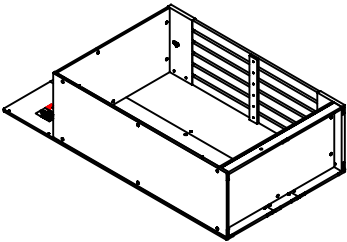


## TOOLS REQUIRED



# STEP 11

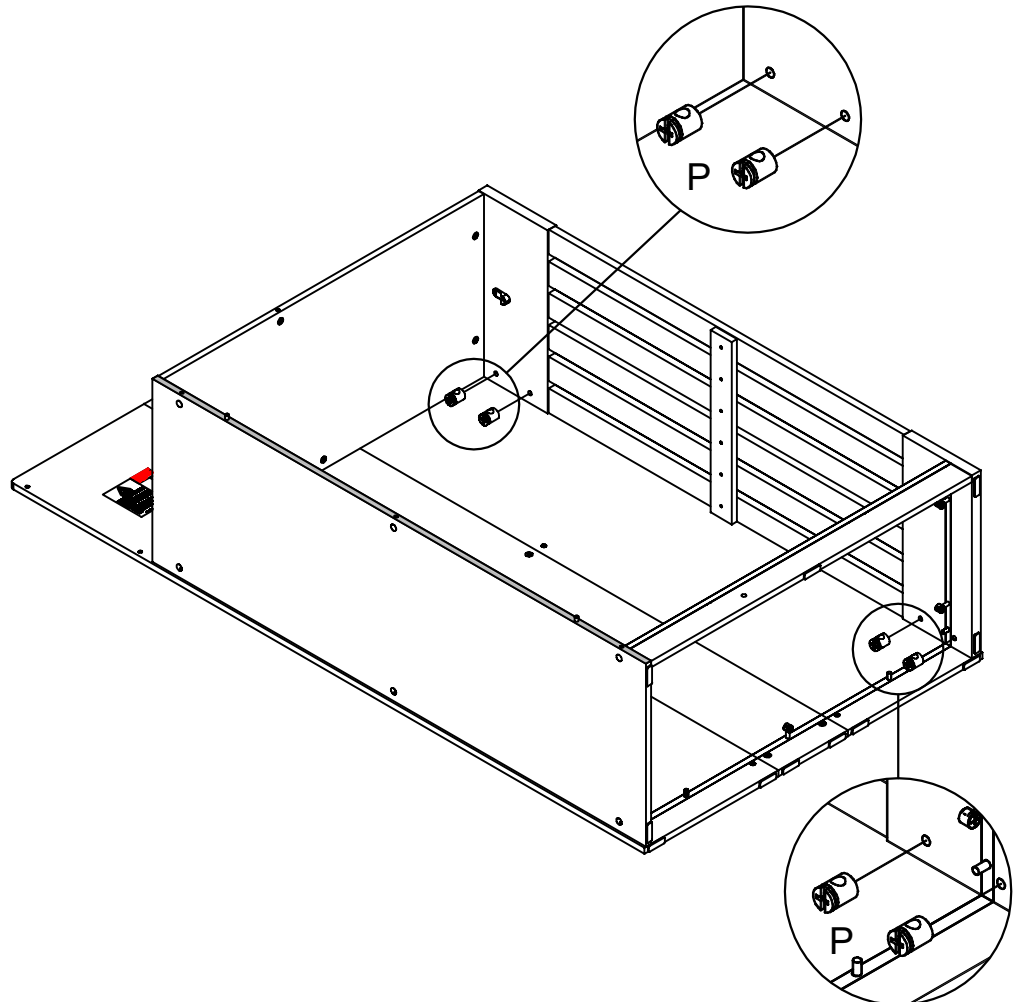
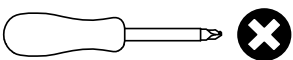
## PARTS REQUIRED



## HARDWARE REQUIRED

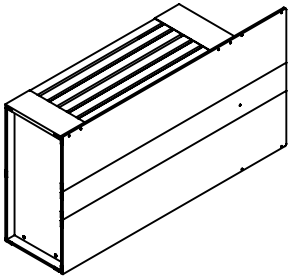


## TOOLS REQUIRED



# STEP 12

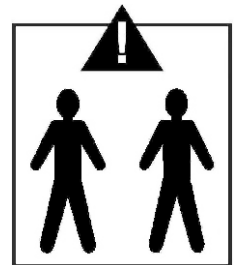
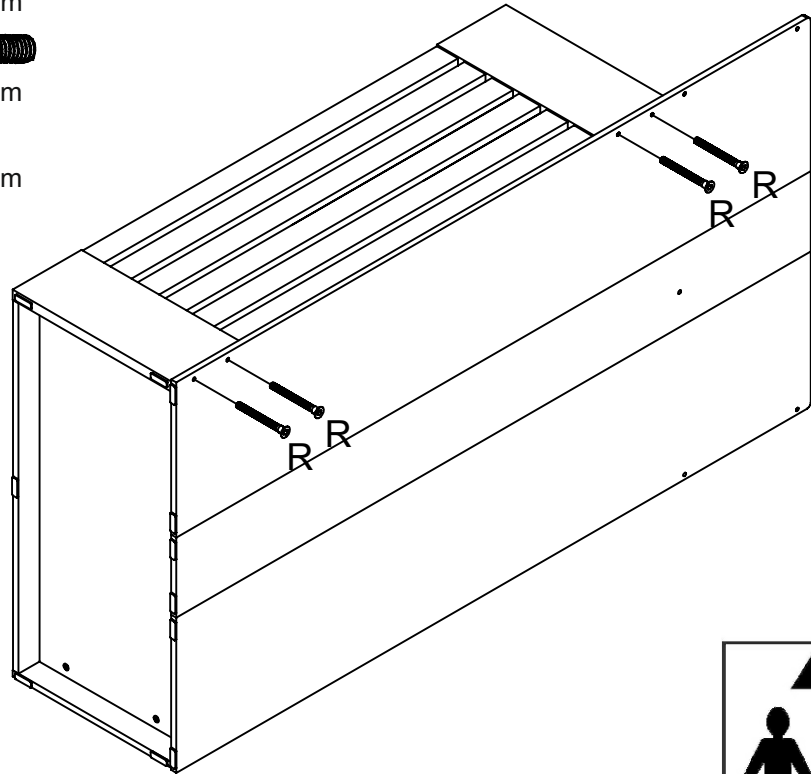
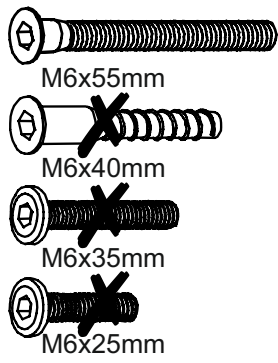
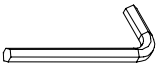
**PARTS REQUIRED**



**HARDWARE REQUIRED**



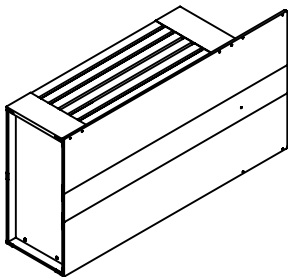
**TOOLS REQUIRED**



# STEP 13

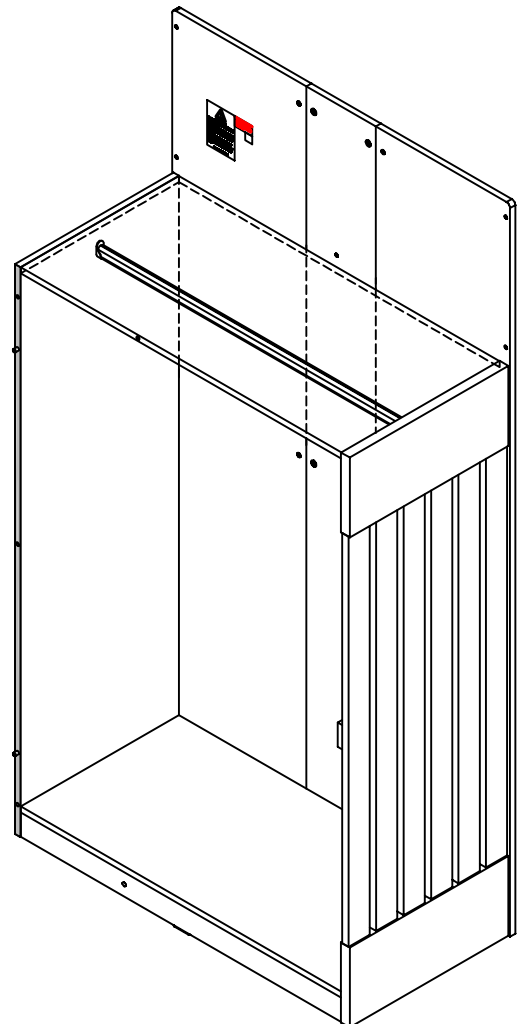
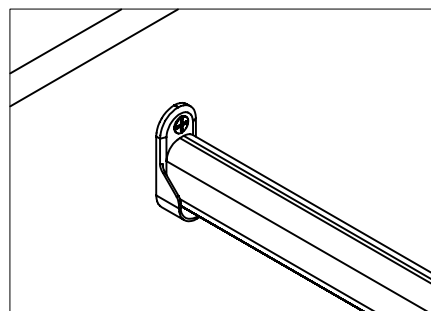
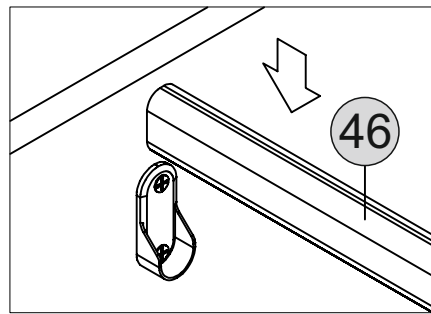
**PARTS REQUIRED**

46- HANGING RAIL x1



**HARDWARE REQUIRED**

**TOOLS REQUIRED**



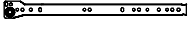
# STEP 14

## PARTS REQUIRED

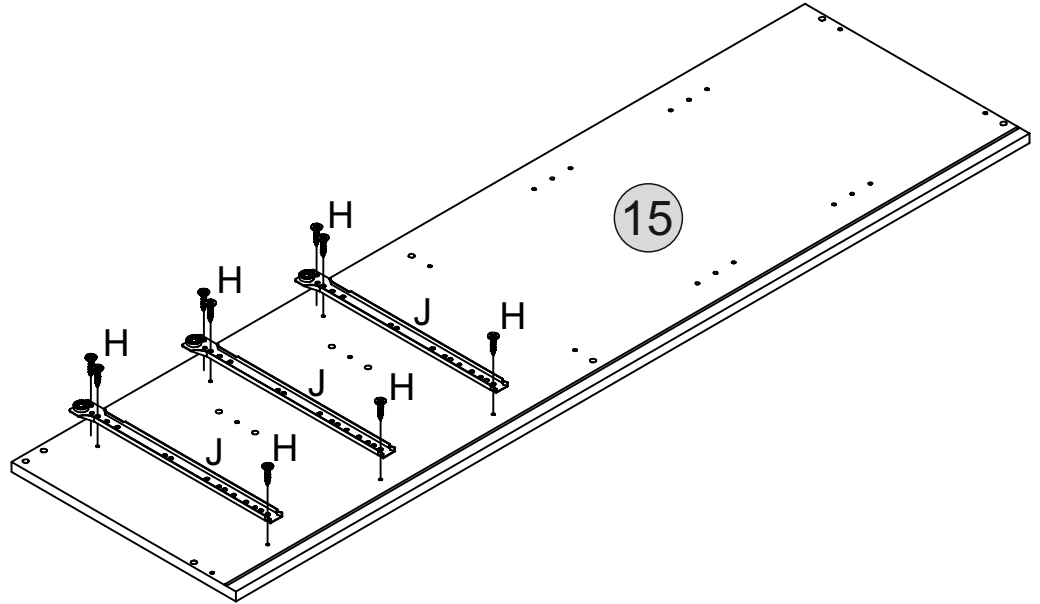
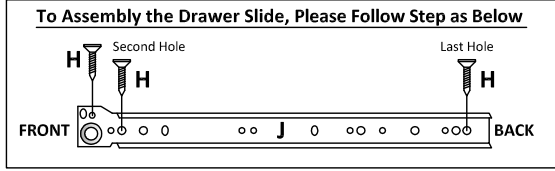
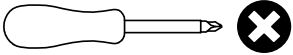
15- LEFT PANEL (CABINET) x1

## HARDWARE REQUIRED

H  09

J  03

## TOOLS REQUIRED




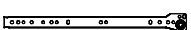
# STEP 15

## PARTS REQUIRED

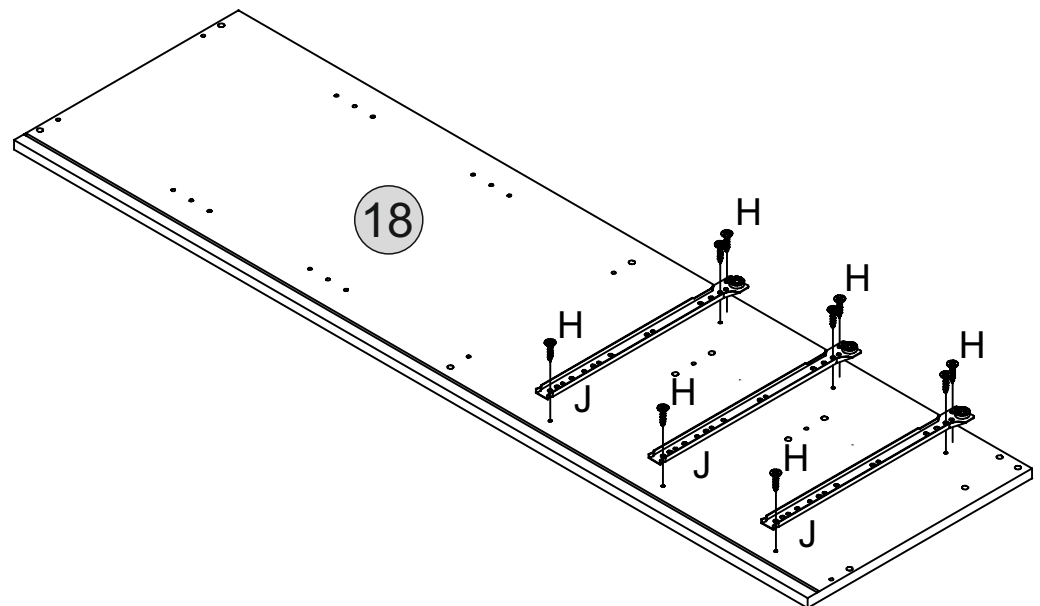
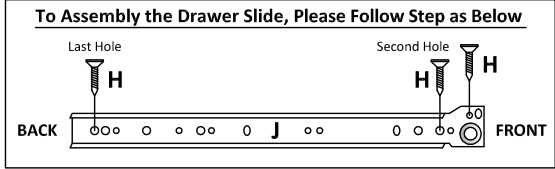
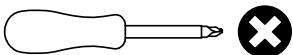
18- RIGHT PANEL (CABINET) x1

## HARDWARE REQUIRED

H  09

J  03

## TOOLS REQUIRED





# STEP 16

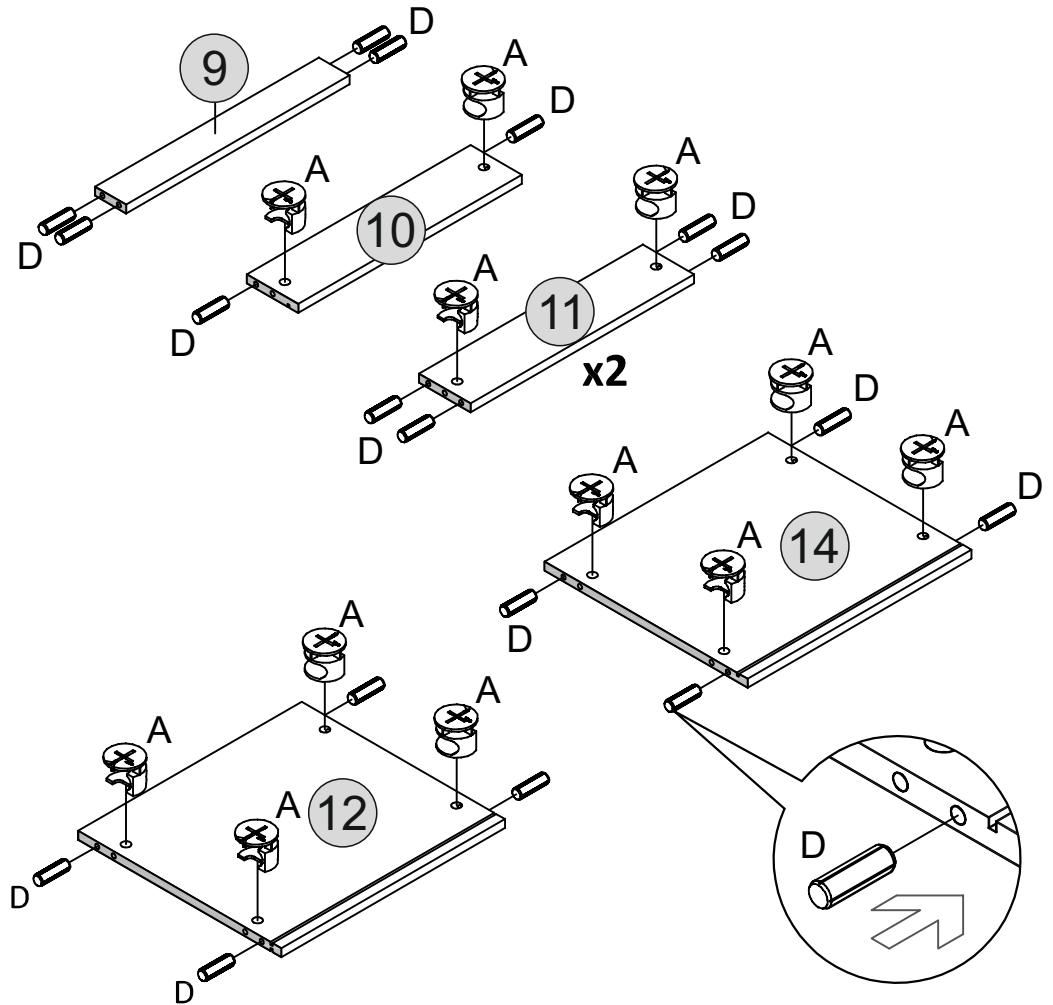
## PARTS REQUIRED

9- PLINTH PANEL (CABINET)	x1
10- BOTTOM PANEL (CABINET)	x1
11- SUPPORT PANEL (CABINET)	x2
12- CENTRE PANEL (CABINET)	x1
14- TOP PANEL (CABINET)	x1

## HARDWARE REQUIRED

A		14
D		22

## TOOLS REQUIRED




# STEP 17

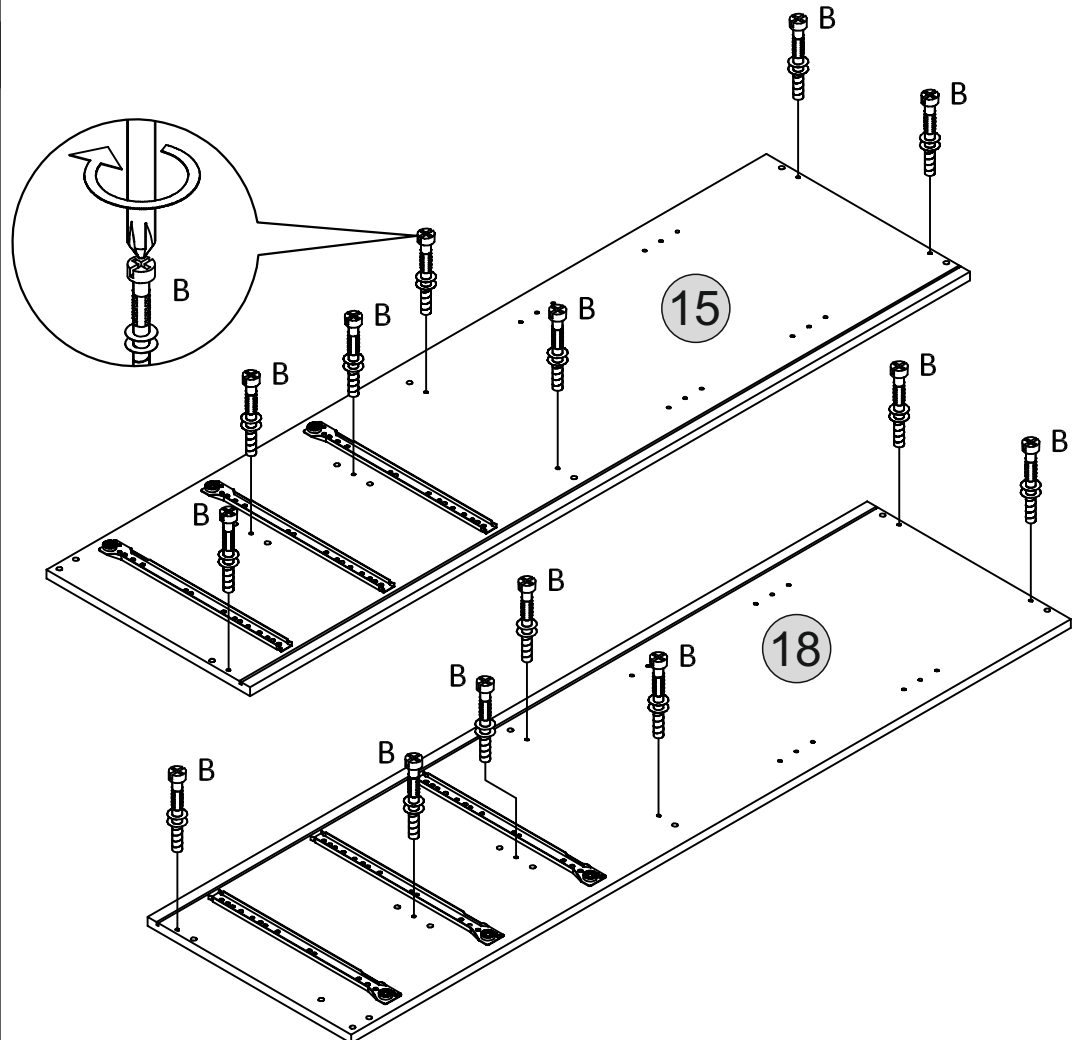
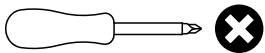
## PARTS REQUIRED

15- LEFT PANEL (CABINET)	x1
18- RIGHT PANEL (CABINET)	x1

## HARDWARE REQUIRED

B		14
---	---	----

## TOOLS REQUIRED



# STEP 18

## PARTS REQUIRED

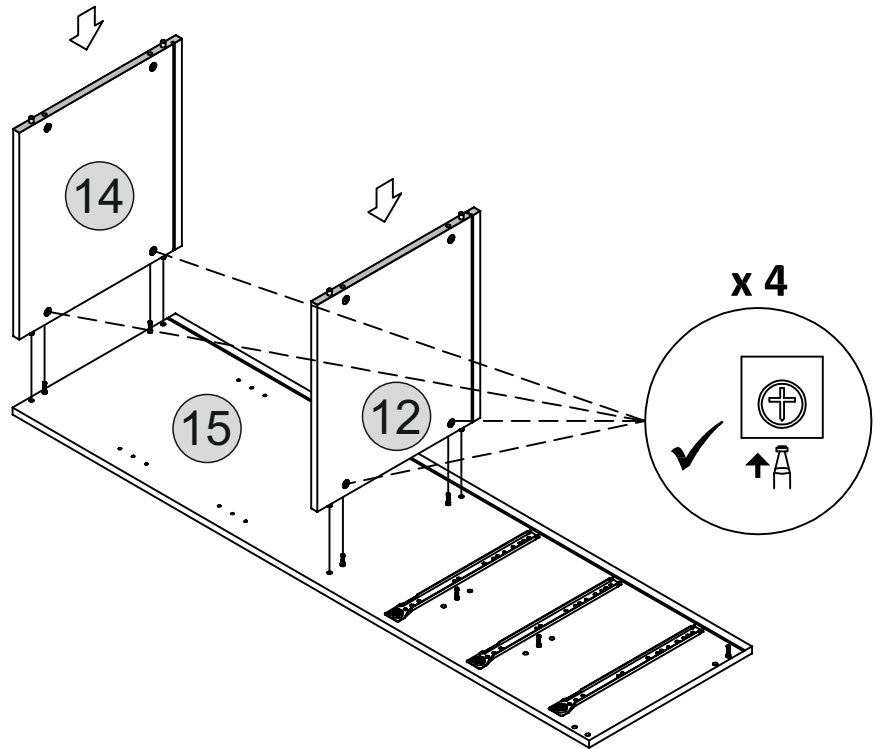
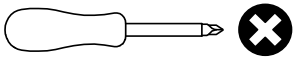
12- CENTRE PANEL (CABINET) x1

14- TOP PANEL (CABINET) x1

15- LEFT PANEL (CABINET) x1

## HARDWARE REQUIRED

## TOOLS REQUIRED



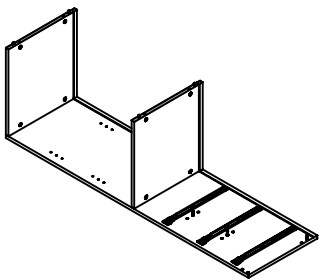
# STEP 19

## PARTS REQUIRED

9- PLINTH PANEL (CABINET) x1

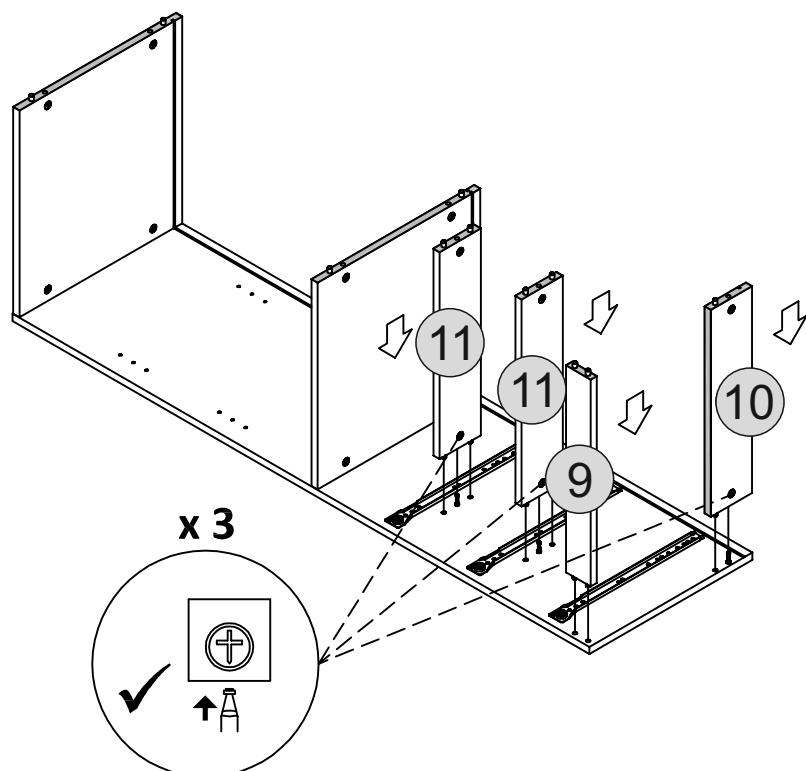
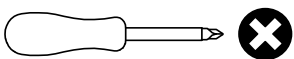
10- BOTTOM PANEL (CABINET) x1

11- SUPPORT PANEL (CABINET) x2



## HARDWARE REQUIRED

## TOOLS REQUIRED

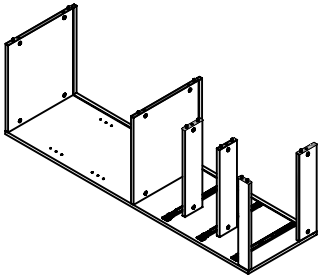


# STEP 20

## PARTS REQUIRED

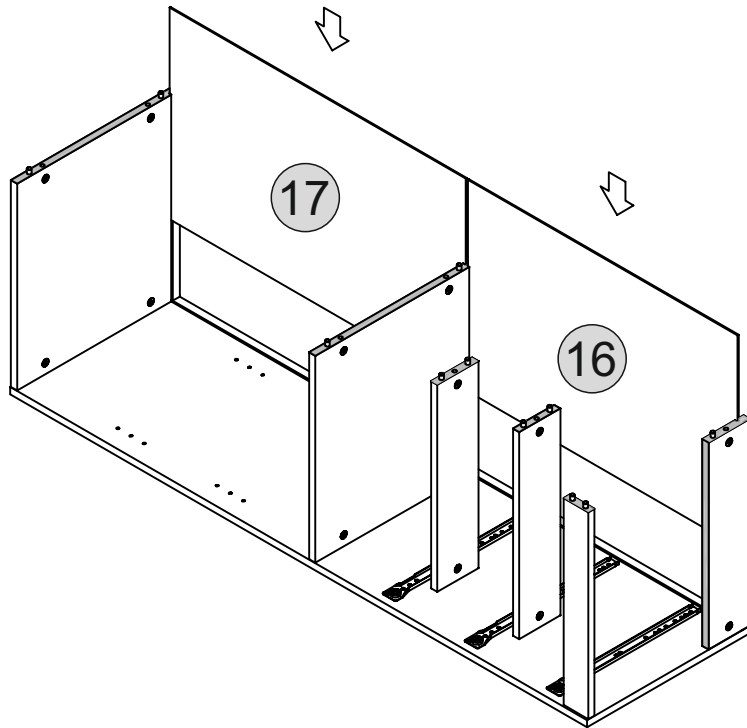
16- LOWER BACK PANEL (CABINET) x1

17- TOPBACK PANEL (CABINET) x1



## HARDWARE REQUIRED

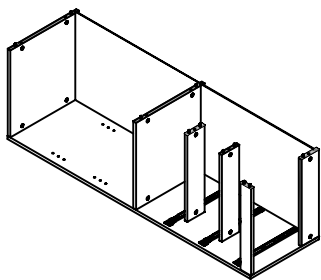
## TOOLS REQUIRED



# STEP 21

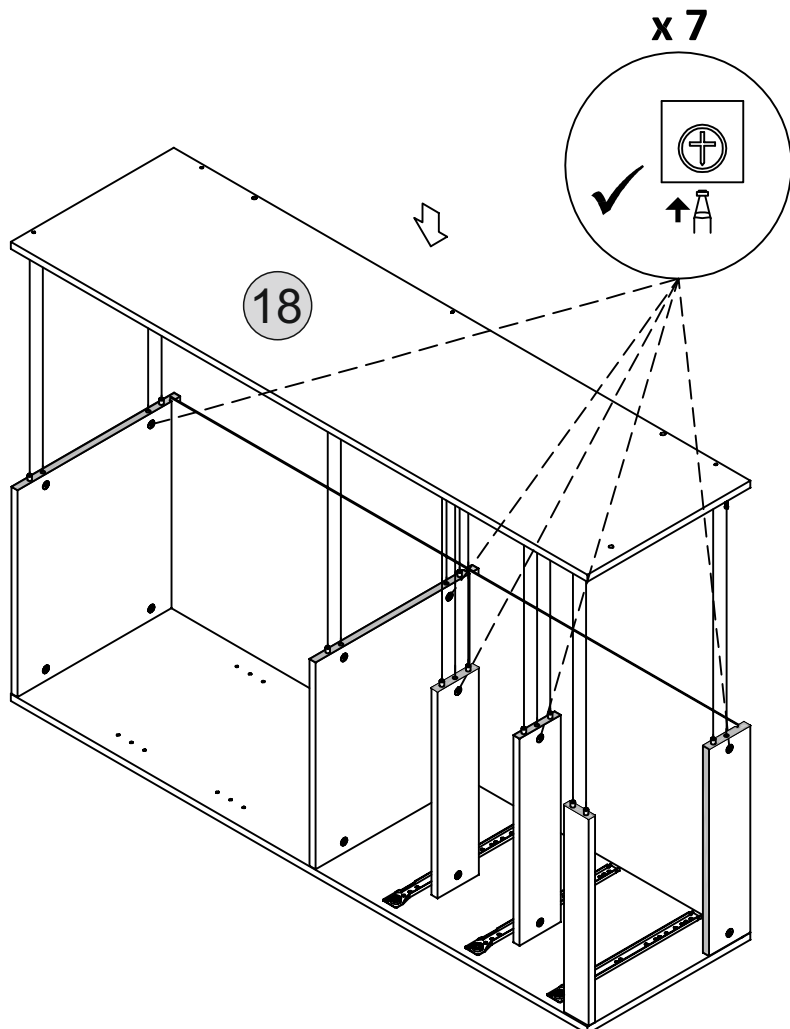
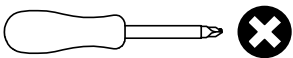
## PARTS REQUIRED

18- RIGHT PANEL (CABINET) x1



## HARDWARE REQUIRED

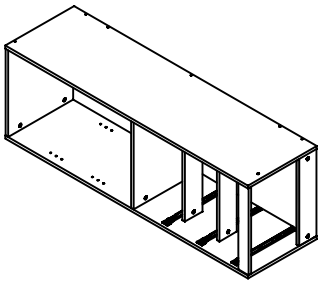
## TOOLS REQUIRED



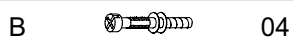


# STEP 22

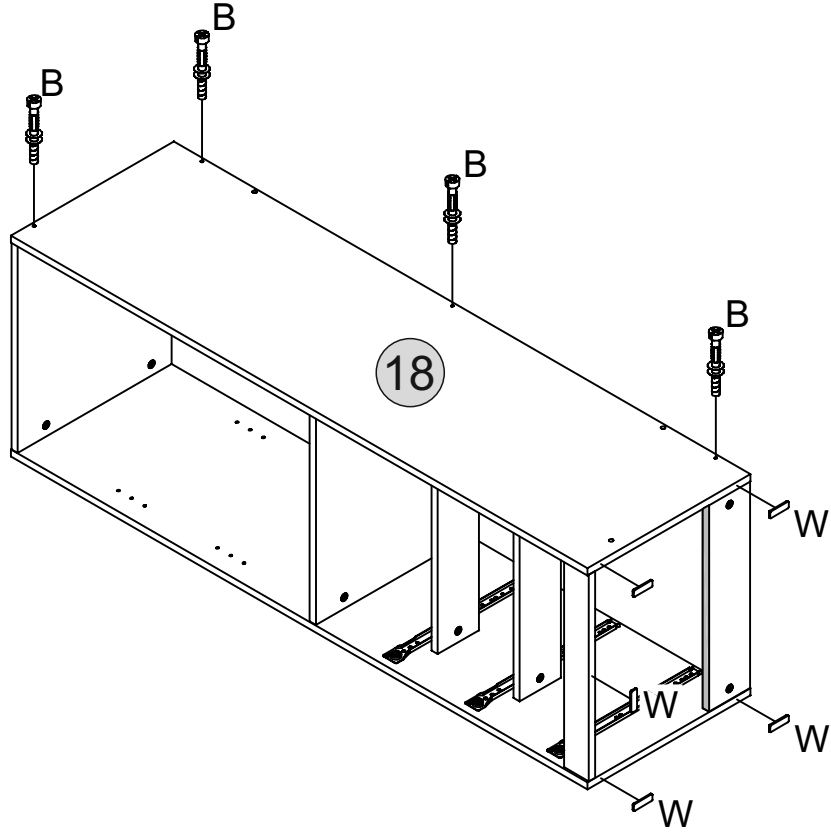
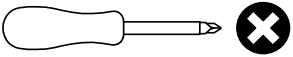
**PARTS REQUIRED**



**HARDWARE REQUIRED**

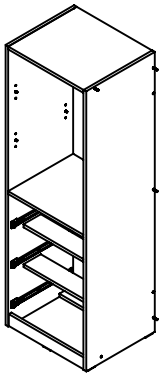


**TOOLS REQUIRED**

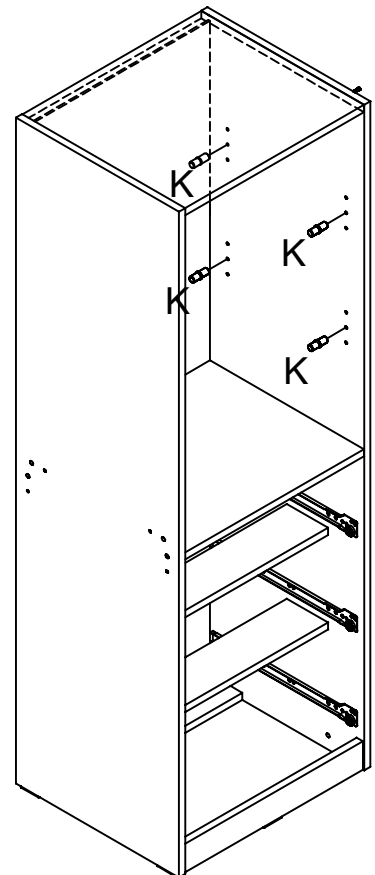
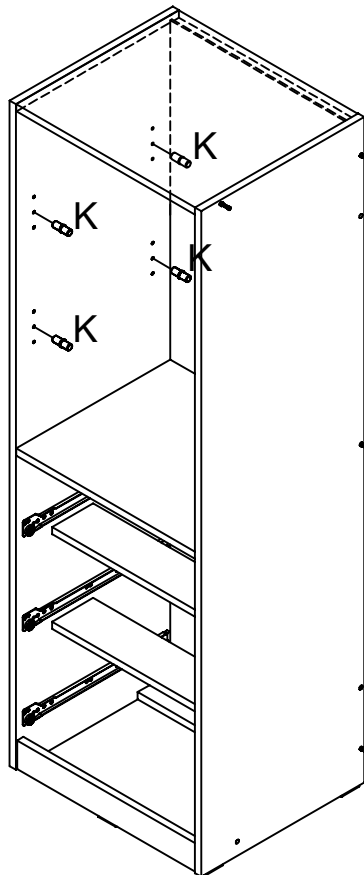


# STEP 23

**PARTS REQUIRED**

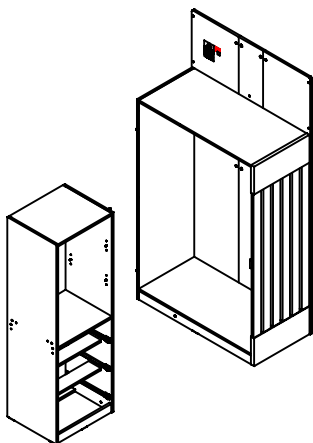


**HARDWARE REQUIRED**



# STEP 24

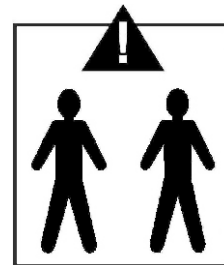
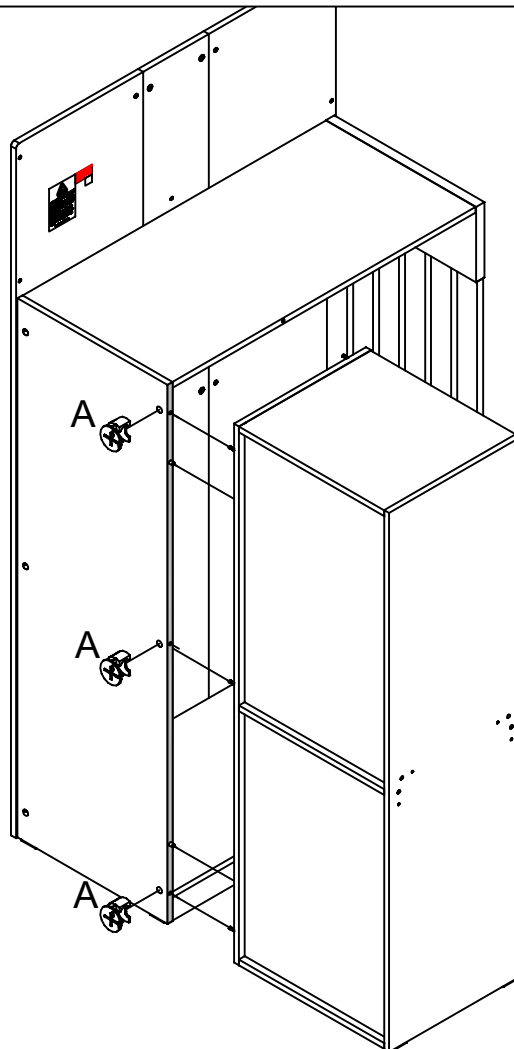
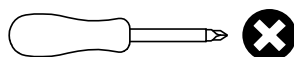
## PARTS REQUIRED



## HARDWARE REQUIRED



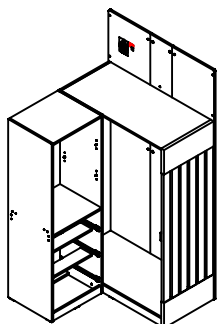
## TOOLS REQUIRED



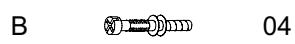
# STEP 25

## PARTS REQUIRED

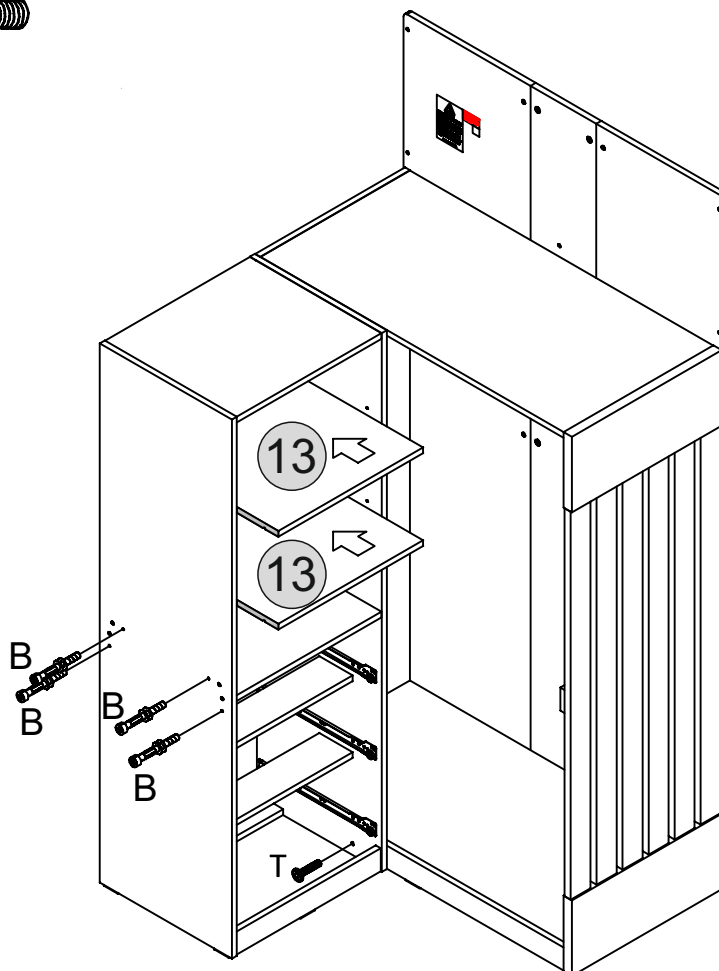
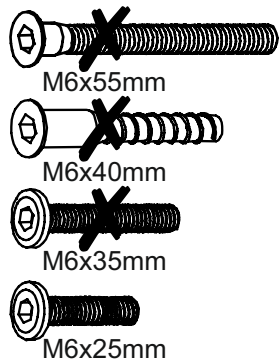
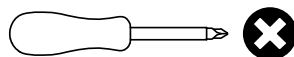
13- MOVEABLE PANEL (CABINET) x2



## HARDWARE REQUIRED



## TOOLS REQUIRED


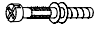
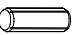


# STEP 26

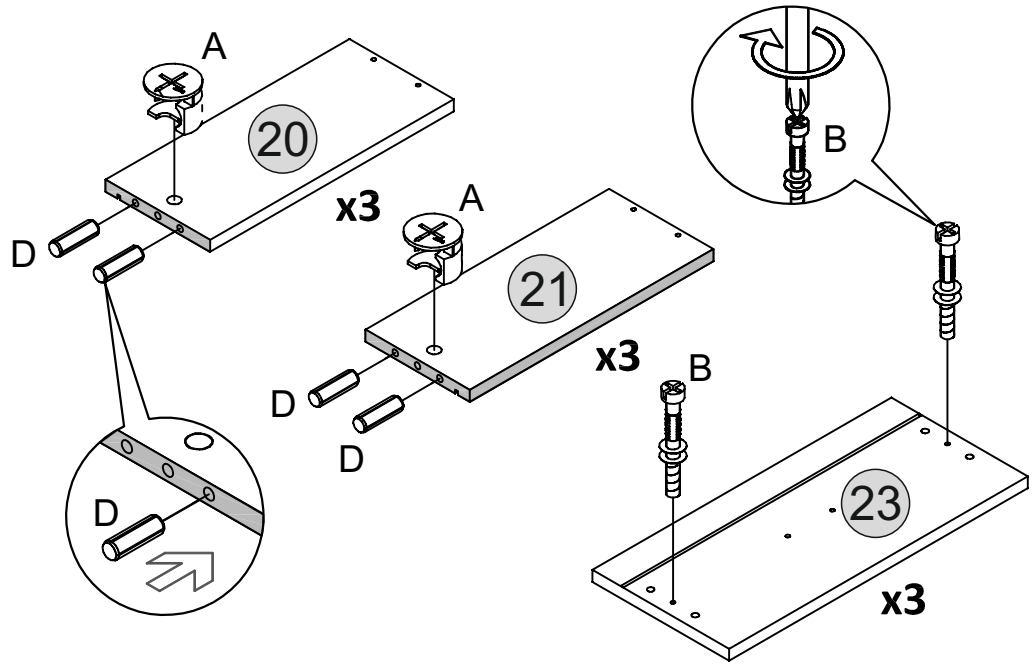
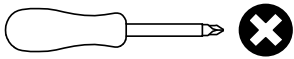
## PARTS REQUIRED

20- LEFT PANEL (DRAWER)	x3
21- RIGHT PANEL (DRAWER)	x3
23- FRONT PANEL (DRAWER)	x3

## HARDWARE REQUIRED

A		06
B		06
D		12

## TOOLS REQUIRED

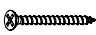


# STEP 27

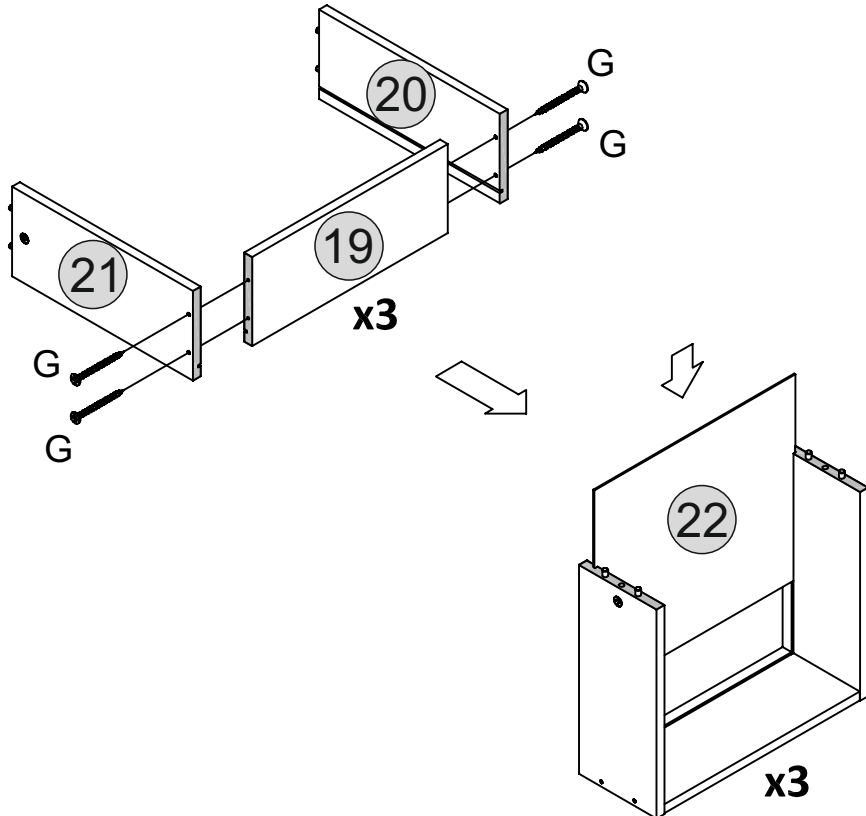
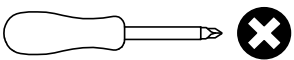
## PARTS REQUIRED

19- BACK PANEL (DRAWER)	x3
20- LEFT PANEL (DRAWER)	x3
21- RIGHT PANEL (DRAWER)	x3
22- BOTTOM PANEL (DRAWER)	x3

## HARDWARE REQUIRED

G		12
---	---	----

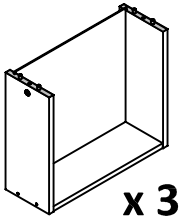
## TOOLS REQUIRED



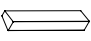
# STEP 28

## PARTS REQUIRED

23- FRONT PANEL (DRAWER) x3

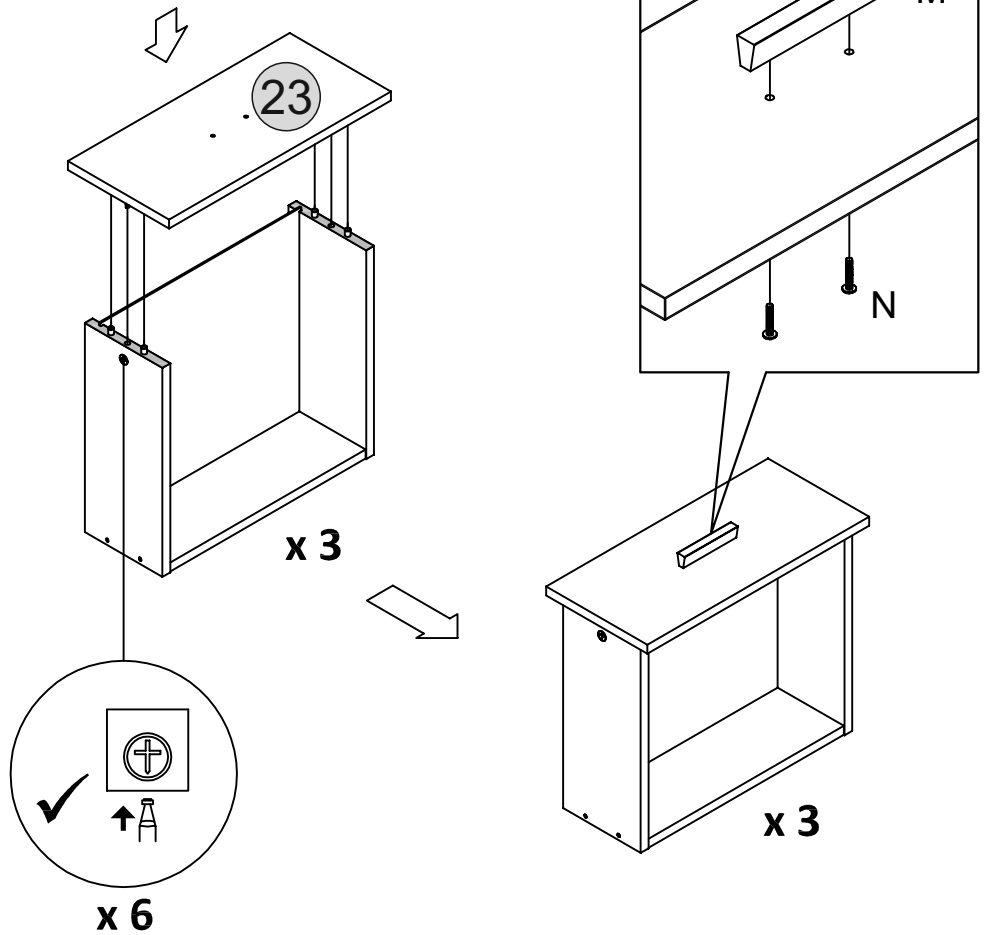
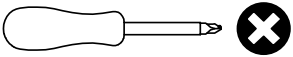


## HARDWARE REQUIRED

M  03

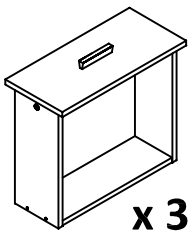
N  06

## TOOLS REQUIRED



# STEP 29

## PARTS REQUIRED

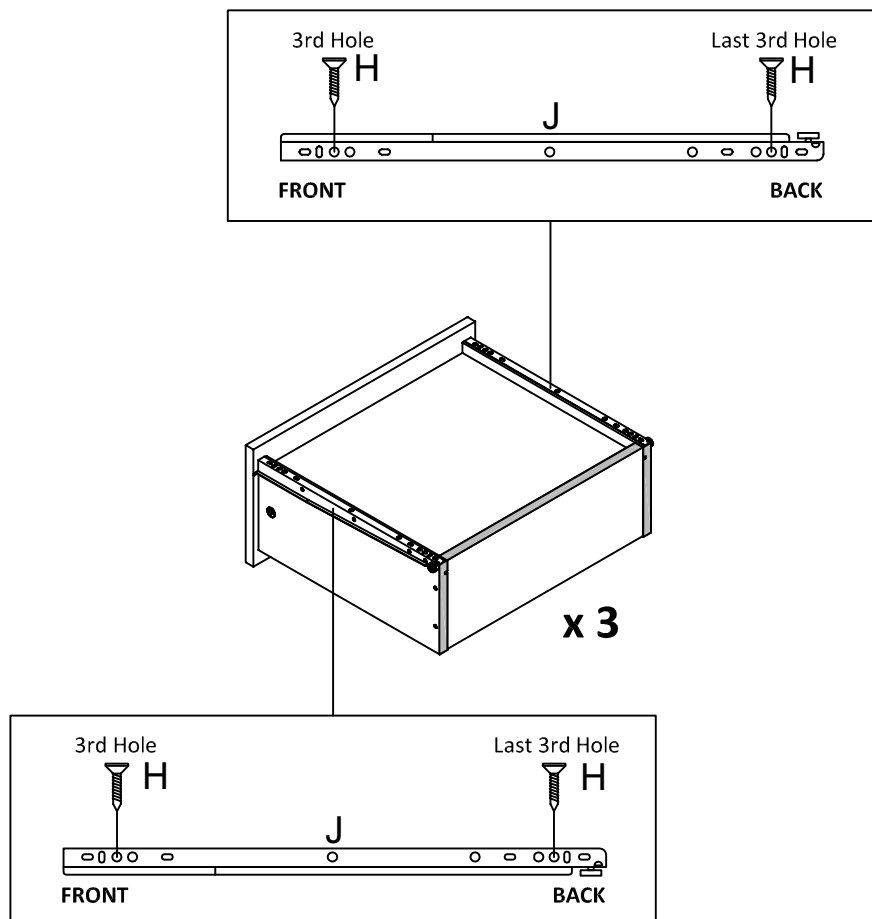
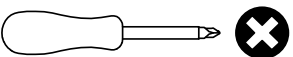


## HARDWARE REQUIRED

H  12

J  03

## TOOLS REQUIRED


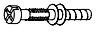



# STEP 30

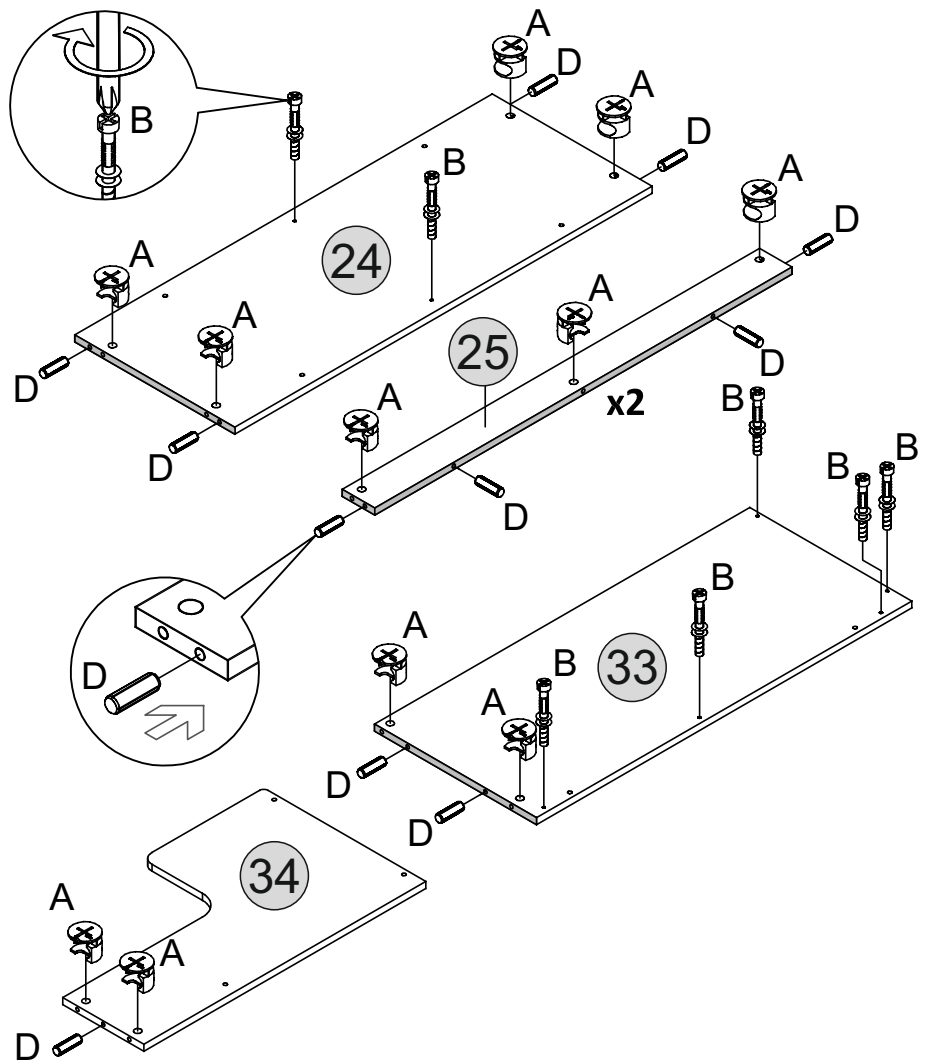
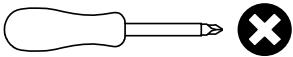
## PARTS REQUIRED

24- TOP PANEL (DESK)	x1
25- SUPPORT PANEL (DESK)	x2
33- LEFT PANEL	x1
34- RIGHT PANEL	x1

## HARDWARE REQUIRED

A		14
B		07
D		15

## TOOLS REQUIRED


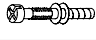
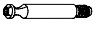
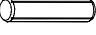

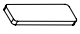


# STEP 31

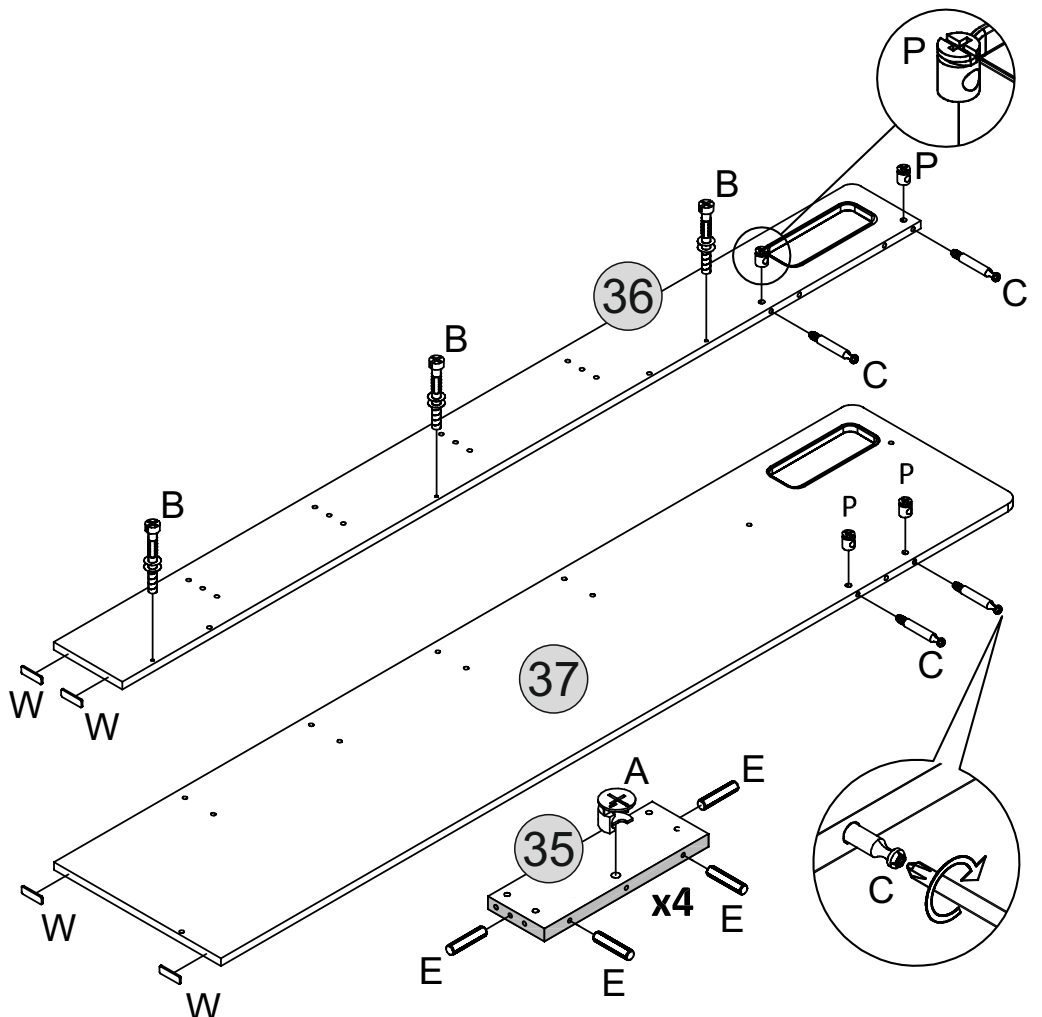
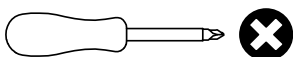
## PARTS REQUIRED

35- LADDER STEP	x4
36- LEFT PANEL (LADDER)	x1
37- RIGHT PANEL (LADDER)	x1

## HARDWARE REQUIRED

A		04
B		03
C		04
E		16
P		04
W		04

## TOOLS REQUIRED



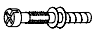
# STEP 32

## PARTS REQUIRED

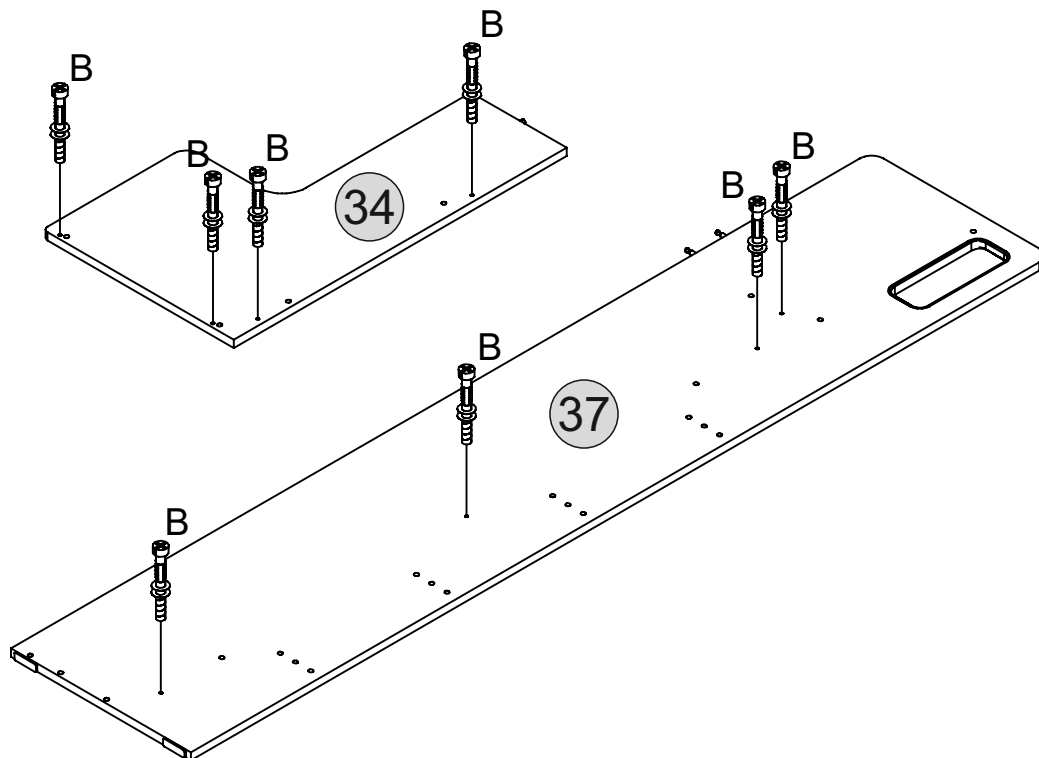
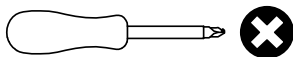
34- RIGHT PANEL x1

37- RIGHT PANEL (LADDER) x1

## HARDWARE REQUIRED

B  08

## TOOLS REQUIRED



# STEP 33

## PARTS REQUIRED

38- SIDE PANEL x2

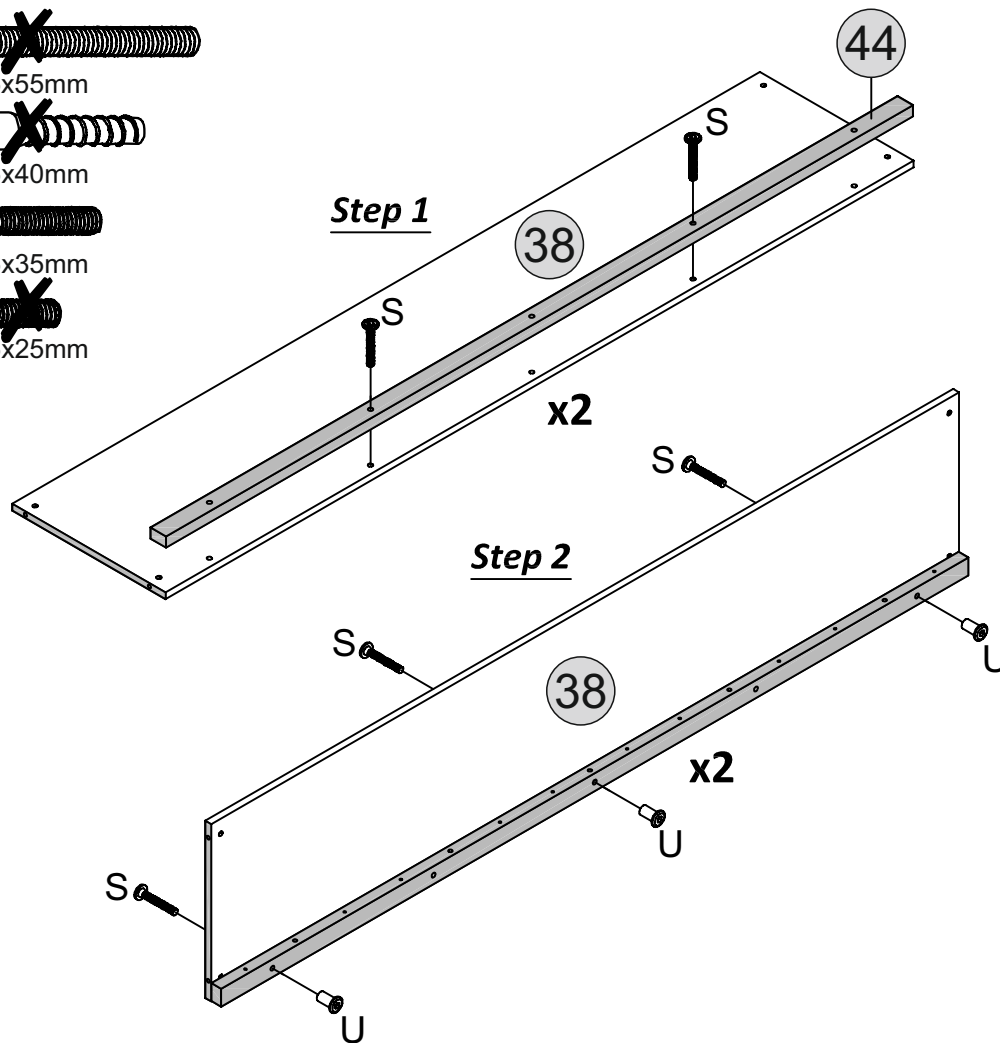
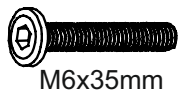
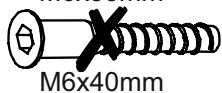
44- SIDE RAIL x2

## HARDWARE REQUIRED

S  10

U  06

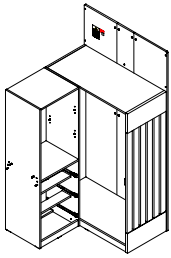
## TOOLS REQUIRED



# STEP 34

## PARTS REQUIRED

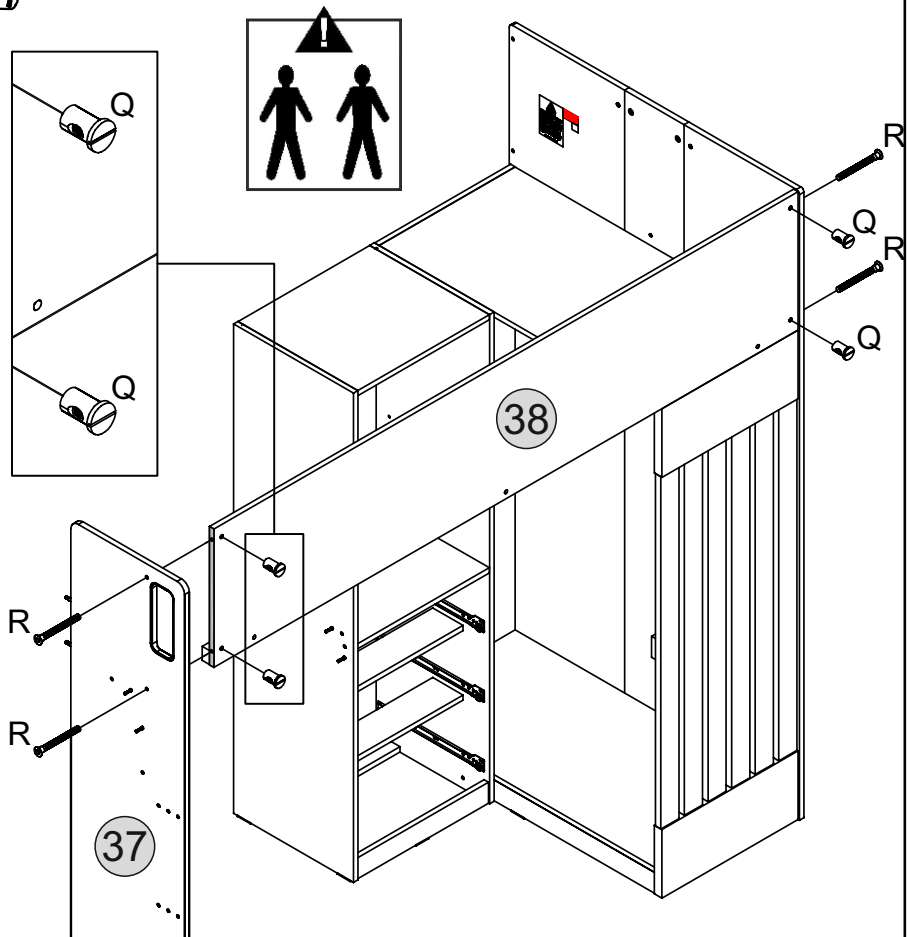
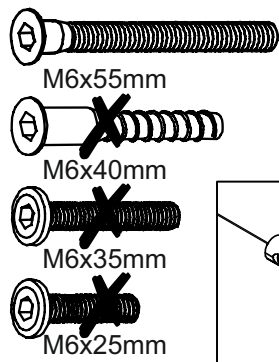
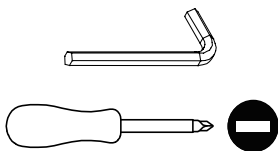
37- RIGHT PANEL (LADDER)	x1
38- SIDE PANEL	x1



## HARDWARE REQUIRED

Q		04
R		04

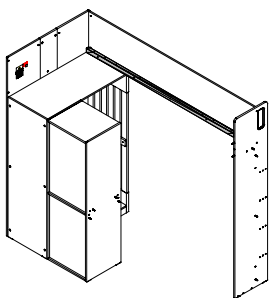
## TOOLS REQUIRED



# STEP 35

## PARTS REQUIRED

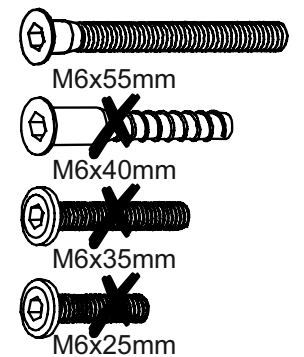
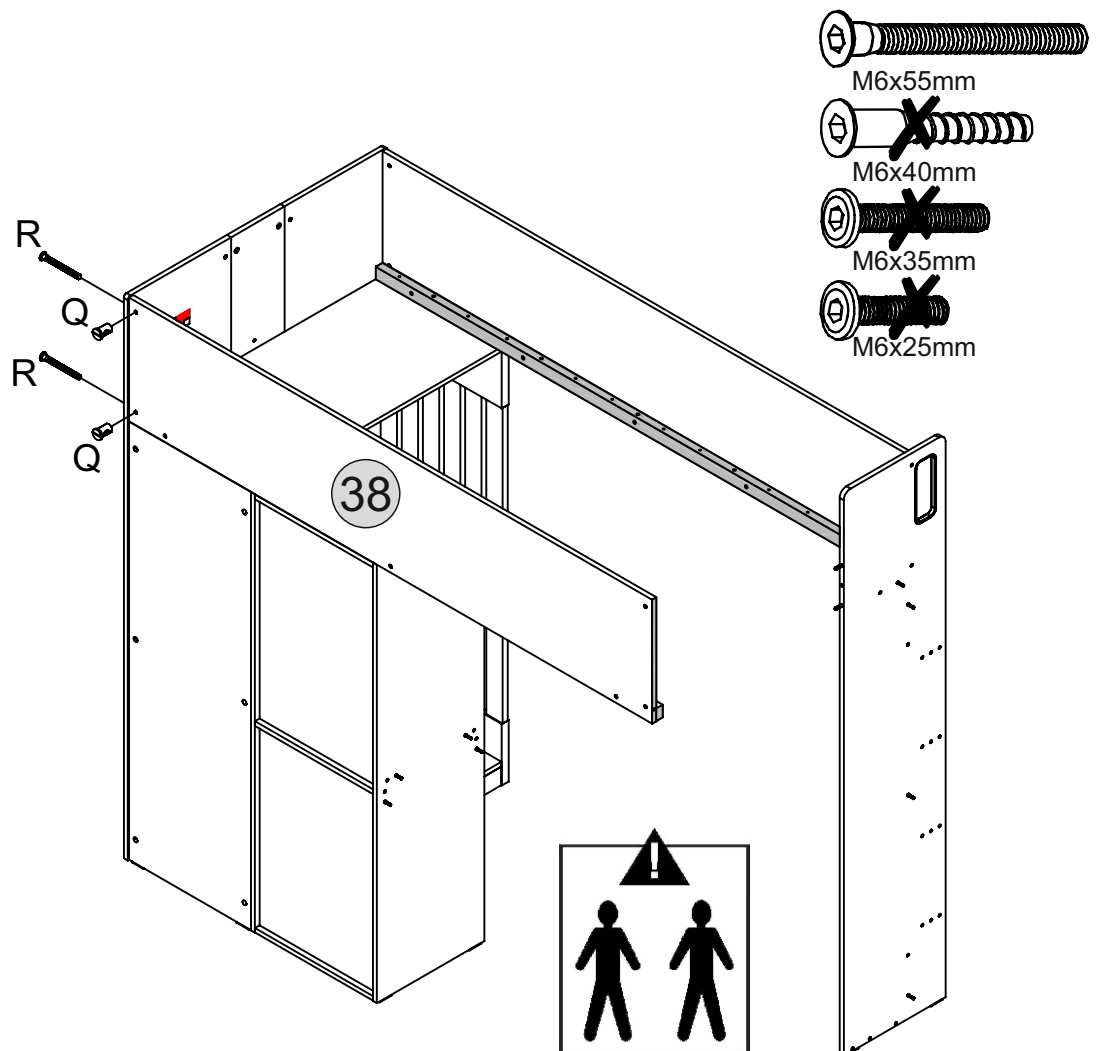
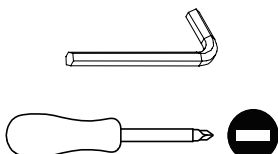
38- SIDE PANEL	x1
----------------	----



## HARDWARE REQUIRED

Q		02
R		02

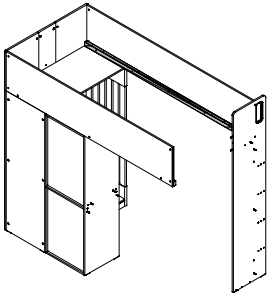
## TOOLS REQUIRED



# STEP 36

## PARTS REQUIRED

34- RIGHT PANEL x1

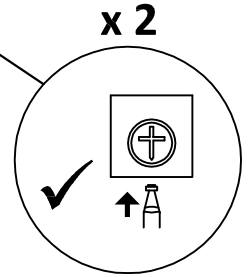
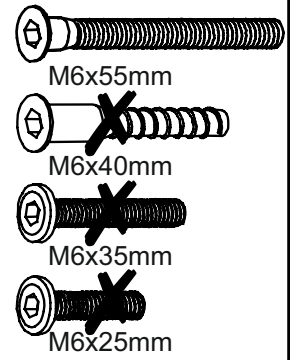
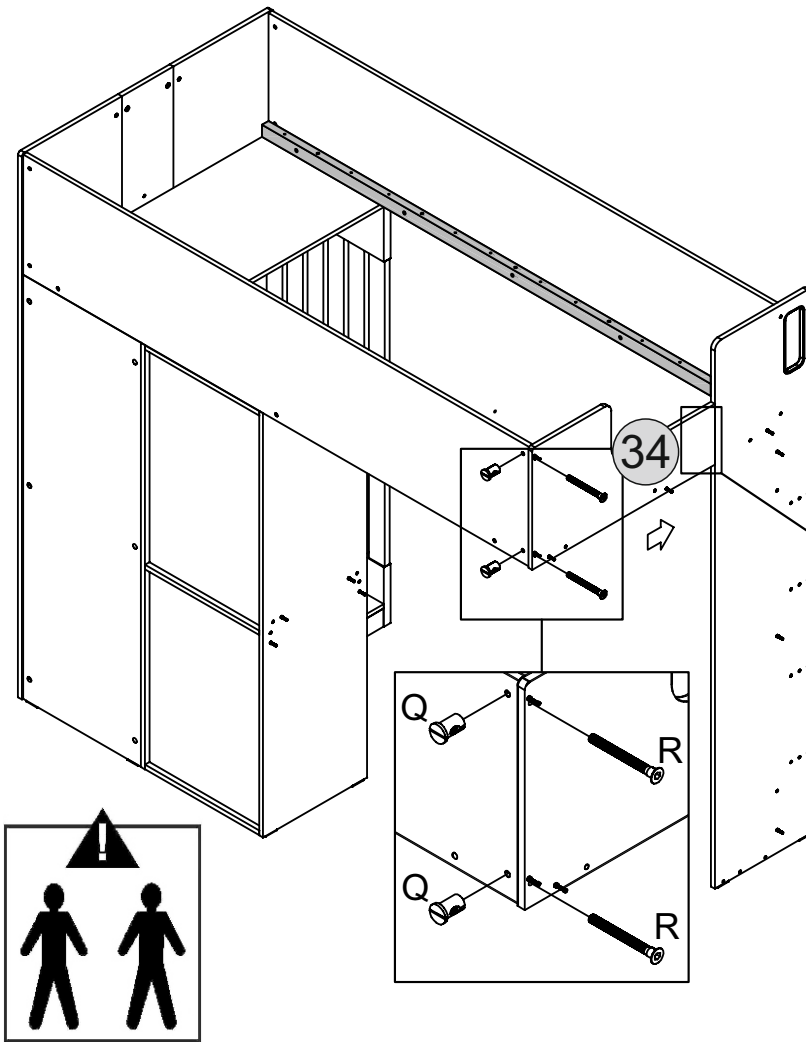
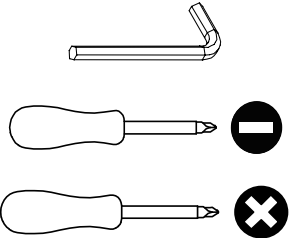


## HARDWARE REQUIRED

Q  02

R  02

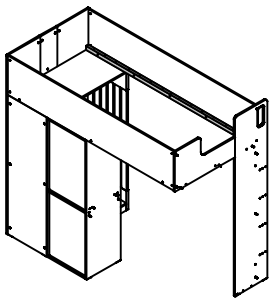
## TOOLS REQUIRED




# STEP 37

## PARTS REQUIRED

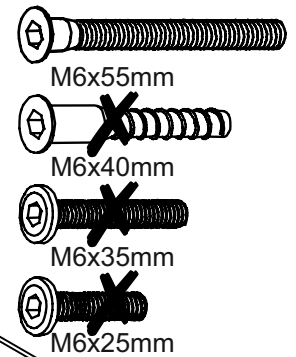
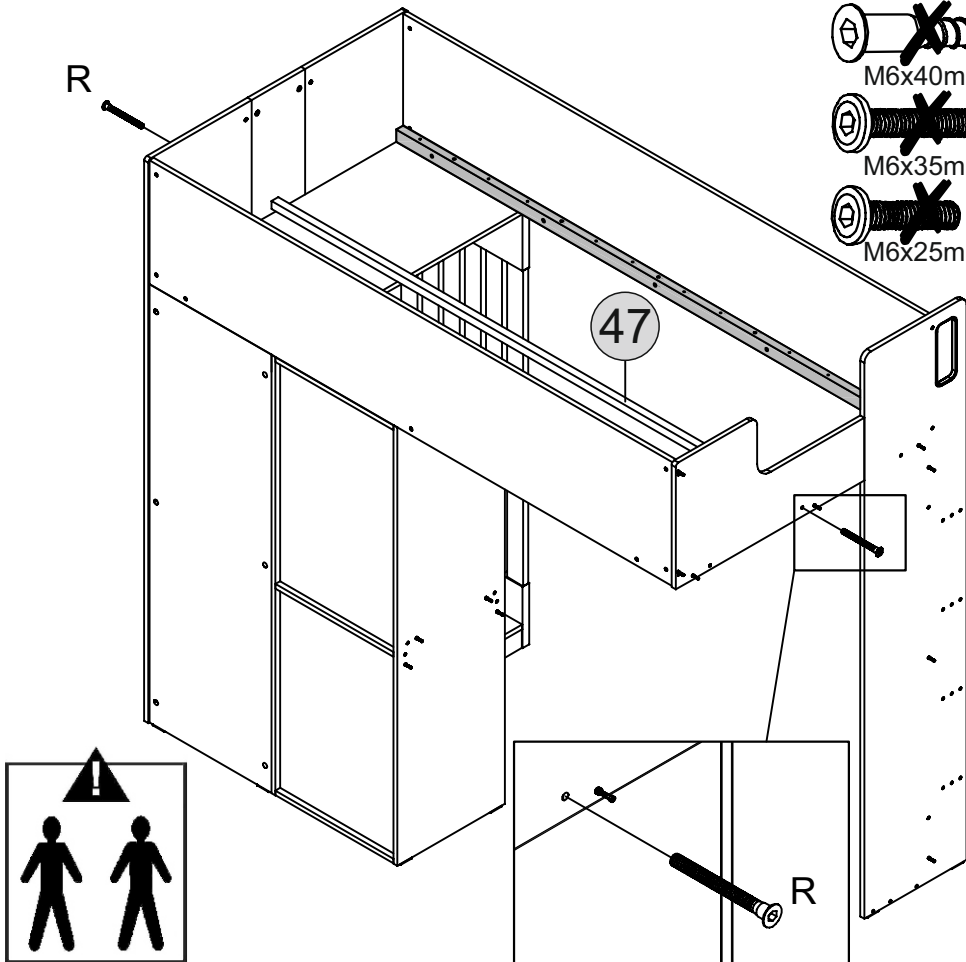
47- METAL SUPPORT RAIL x1



## HARDWARE REQUIRED

R  02

## TOOLS REQUIRED





# STEP 38


## PARTS REQUIRED


26- BOTTOM PANEL (SHELF) x1

27- CENTRE PANEL (SHELF) x1

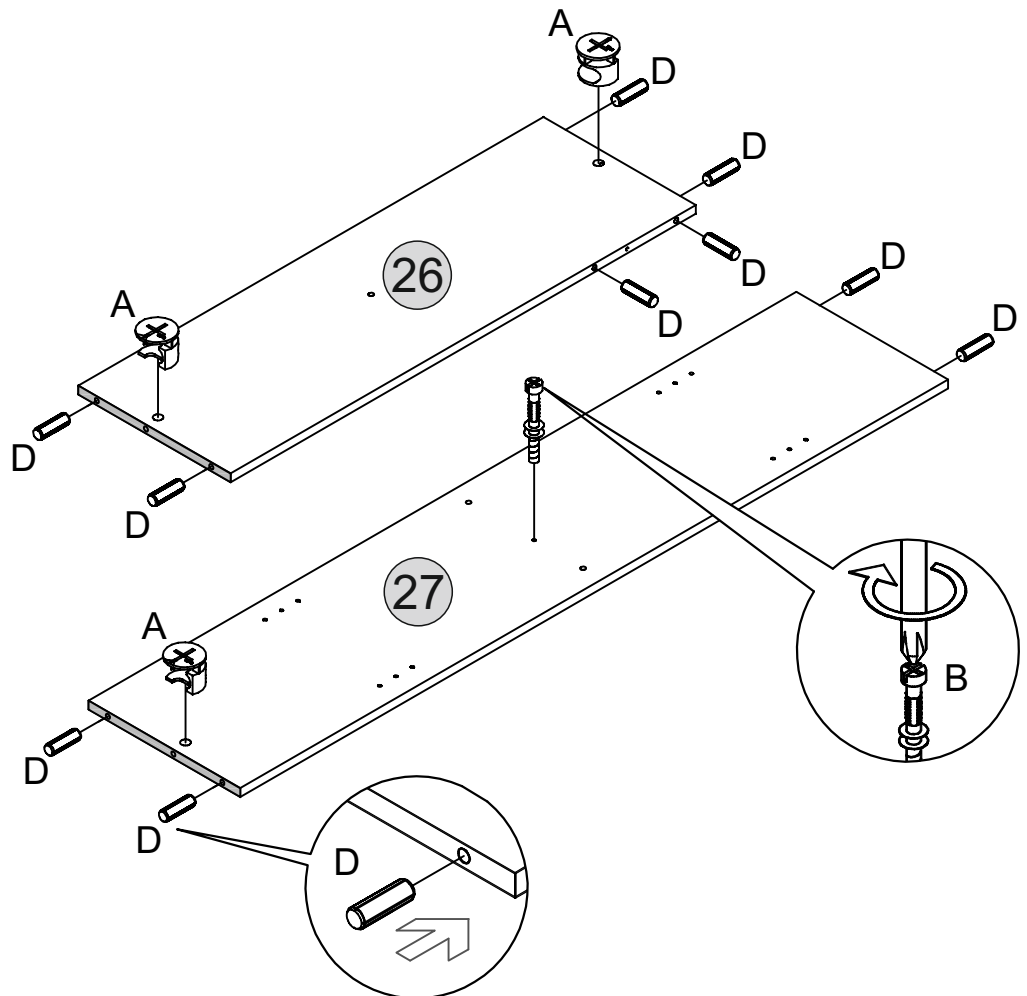
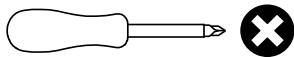
## HARDWARE REQUIRED

A  03

B  01

D  10

## TOOLS REQUIRED



# STEP 39

## PARTS REQUIRED

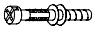
28- FIXED LEFT SHELF x1

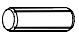
29- FIXED RIGHT SHELF x1

30- RIGHT PANEL (SHELF) x1

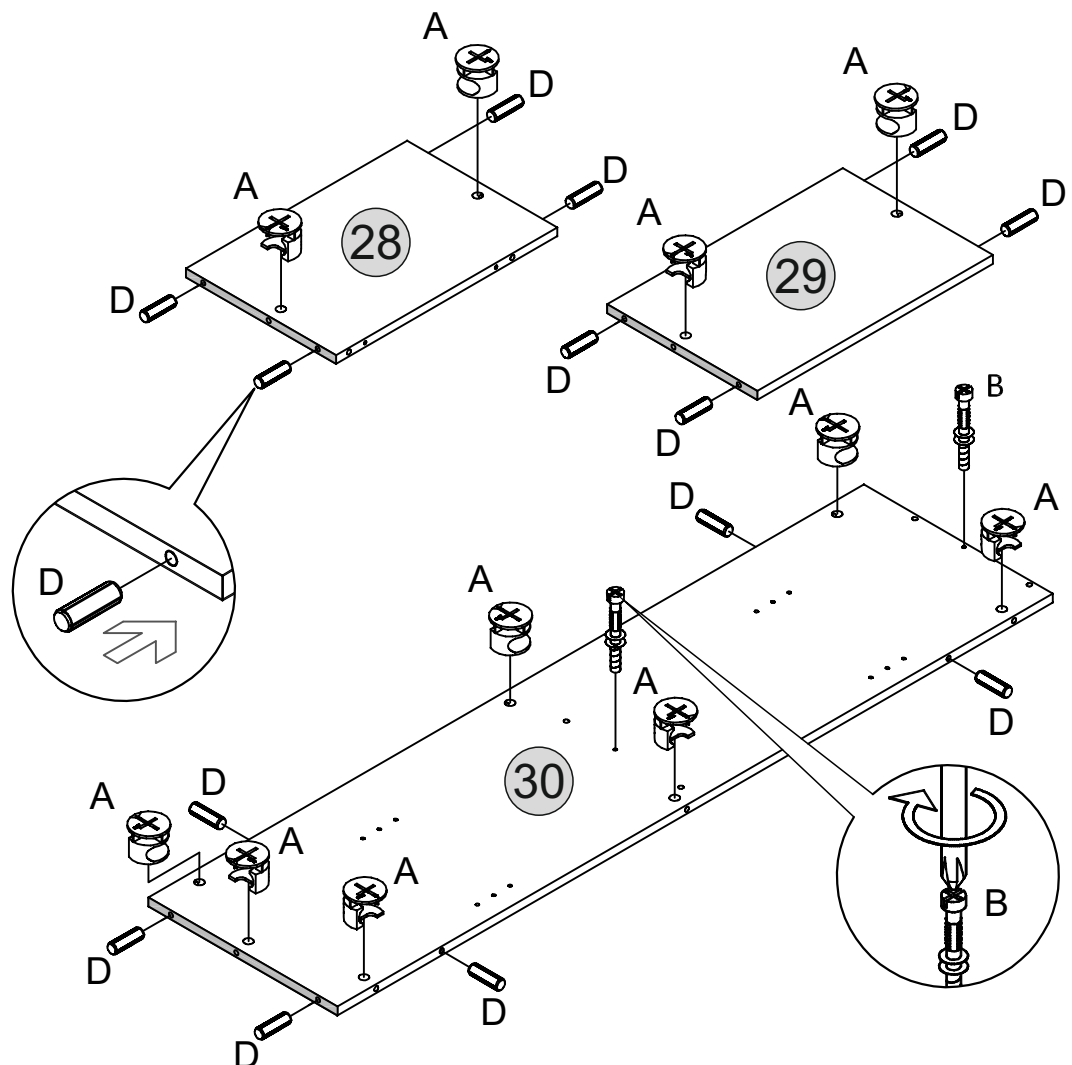
## HARDWARE REQUIRED

A  11

B  02

D  14

## TOOLS REQUIRED



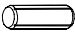


# STEP 40

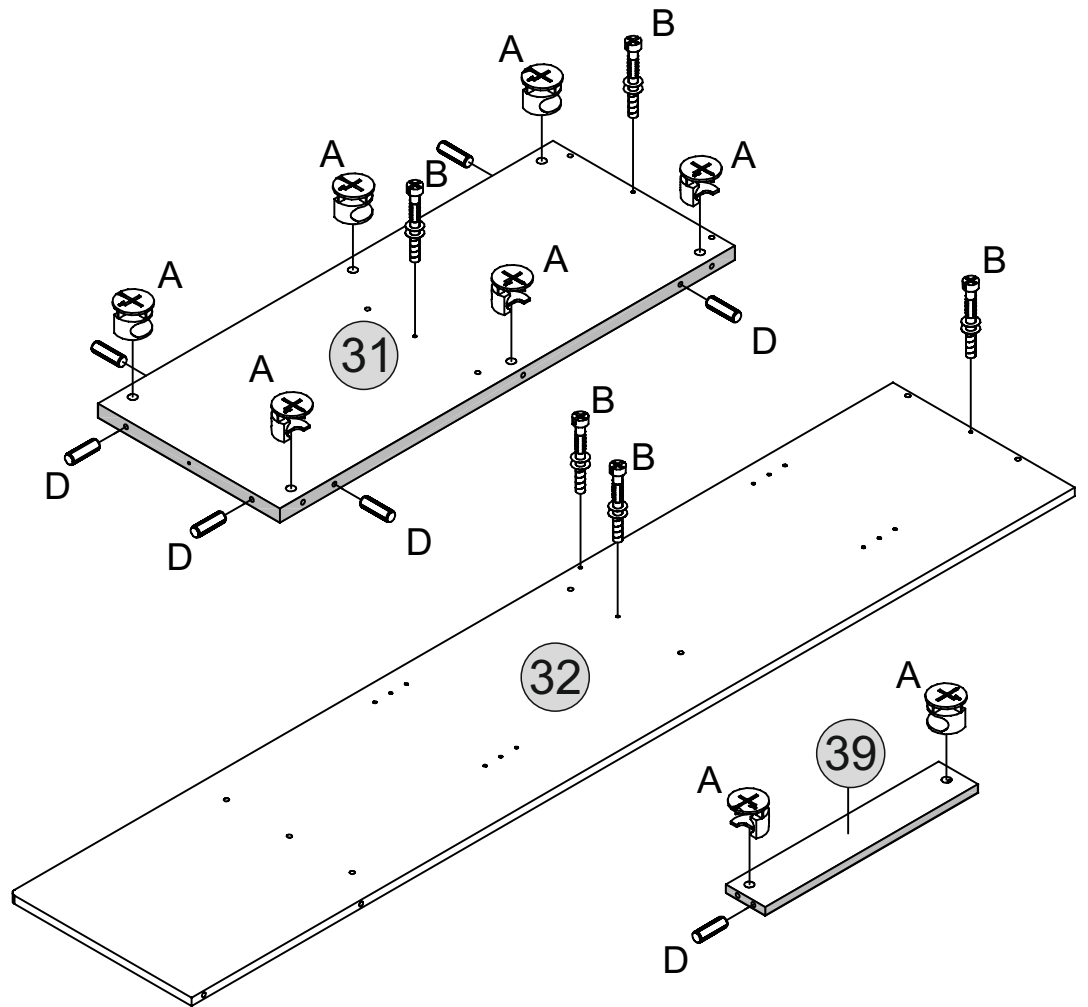
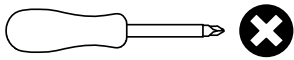
## PARTS REQUIRED

31- TOP PANEL (SHELF)	x1
32- LEFT PANEL (SHELF)	x1
39- SUPPORT PANEL (SHELF)	x1

## HARDWARE REQUIRED

A		08
B		05
D		07

## TOOLS REQUIRED

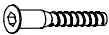


# STEP 41

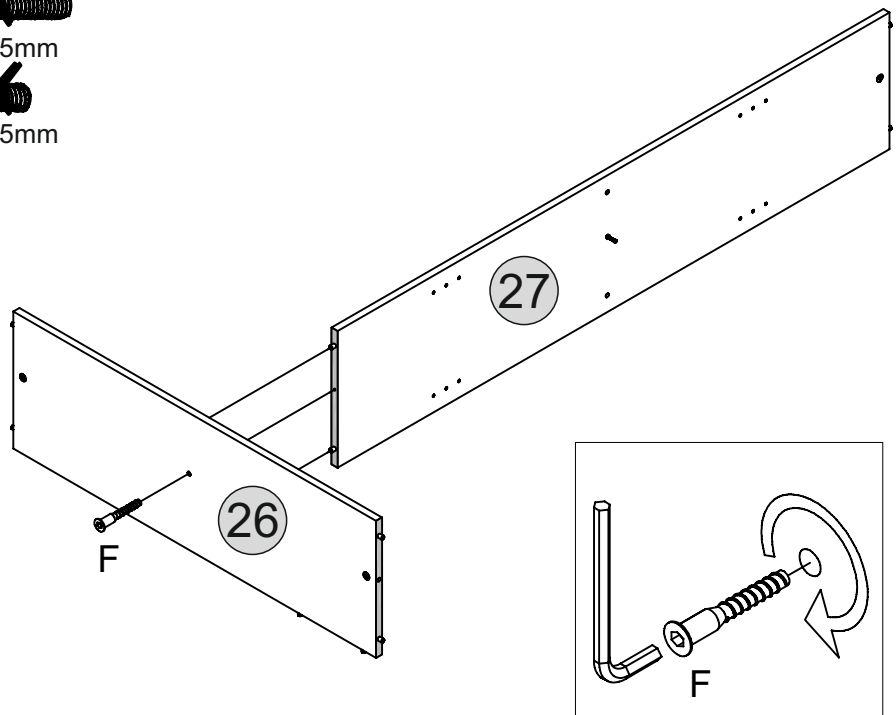
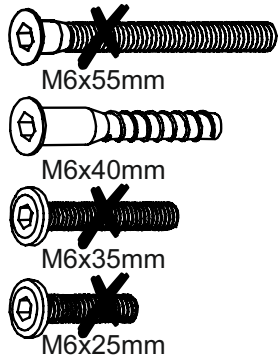
## PARTS REQUIRED

26- BOTTOM PANEL (SHELF)	x1
27- CENTER PANEL (SHELF)	x1

## HARDWARE REQUIRED

F		01
---	---	----

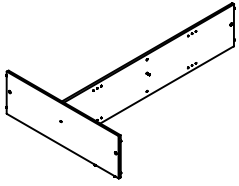
## TOOLS REQUIRED



# STEP 42

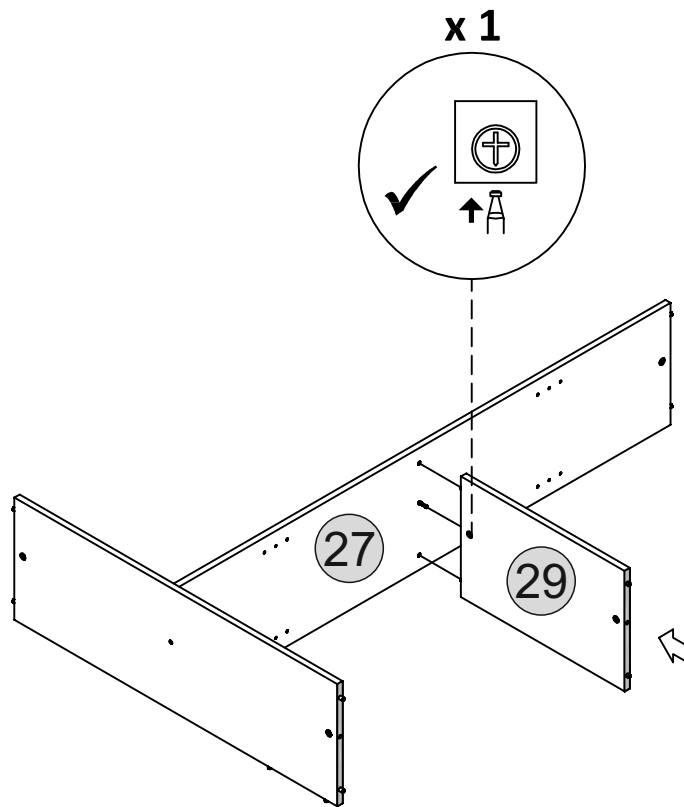
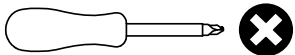
## PARTS REQUIRED

29- CENTER PANEL (SHELF) x1



## HARDWARE REQUIRED

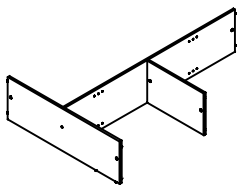
## TOOLS REQUIRED



# STEP 43

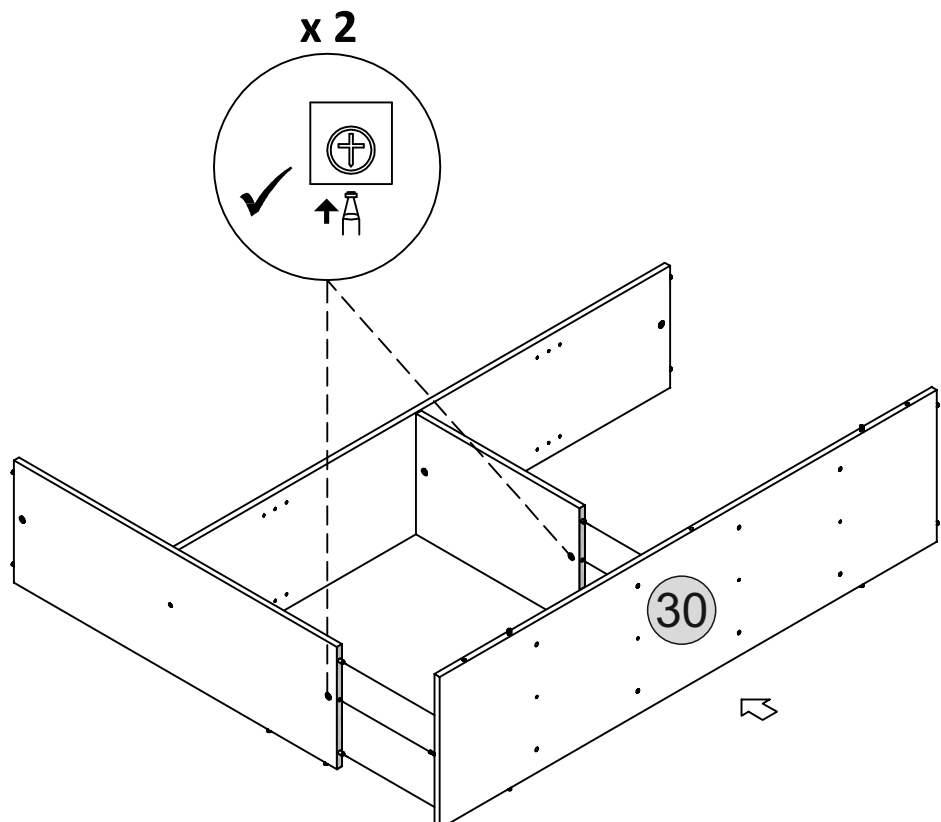
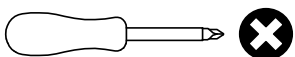
## PARTS REQUIRED

30- RIGHT PANEL (SHELF) x1



## HARDWARE REQUIRED

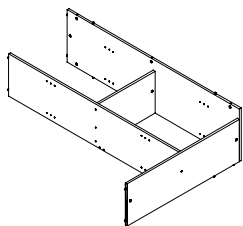
## TOOLS REQUIRED



# STEP 44

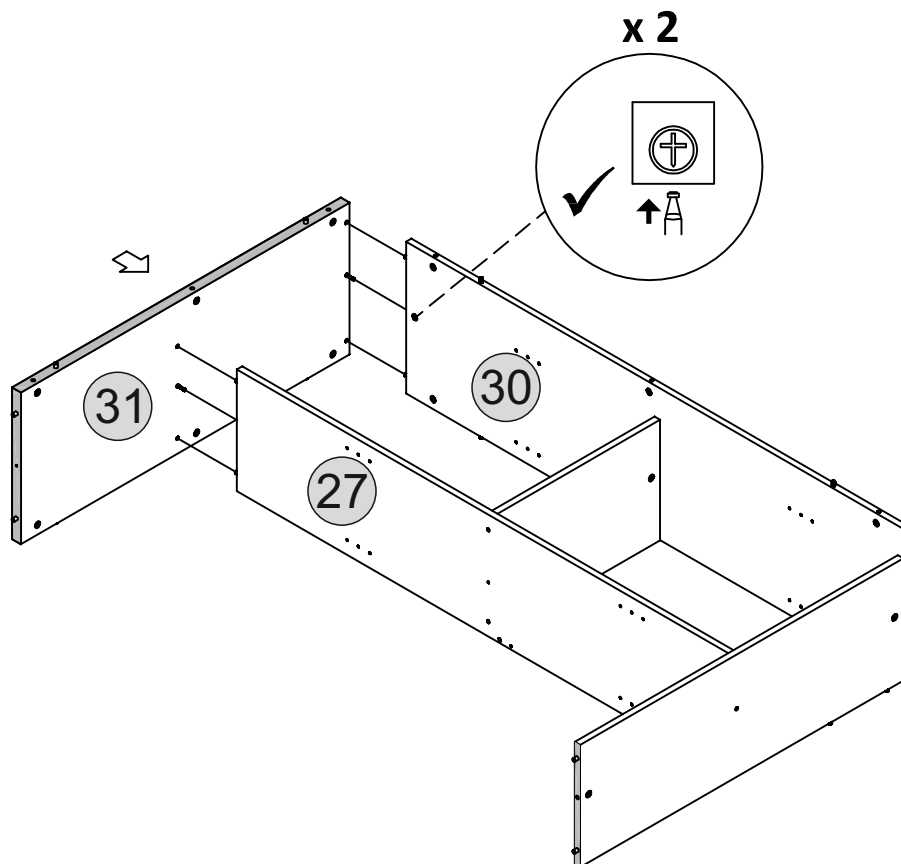
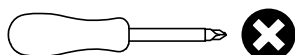
## PARTS REQUIRED

31- TOP PANEL (SHELF) x1



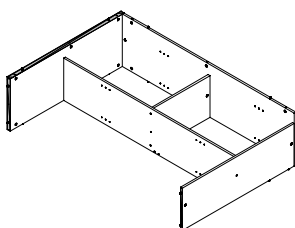
## HARDWARE REQUIRED

## TOOLS REQUIRED



# STEP 45

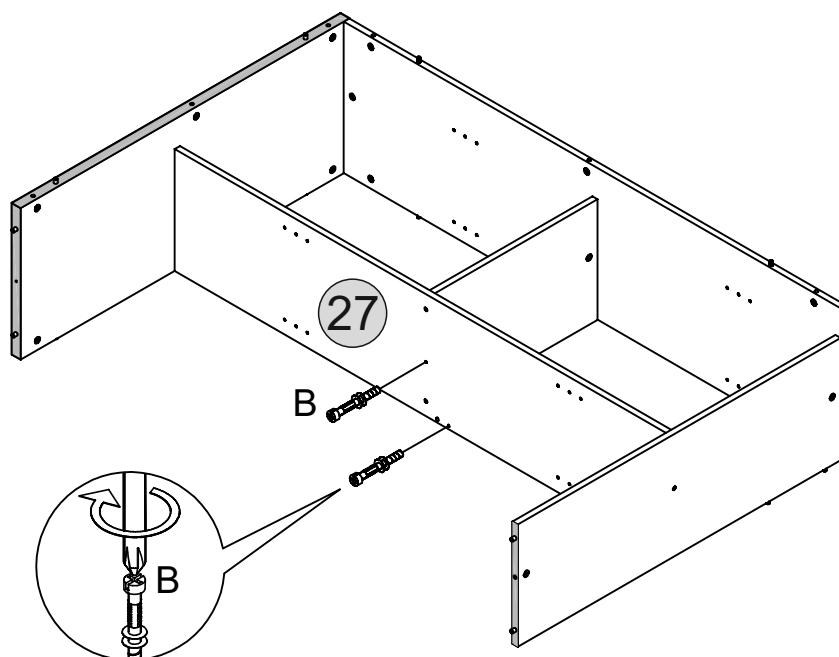
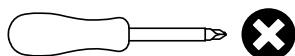
## PARTS REQUIRED



## HARDWARE REQUIRED

B  02

## TOOLS REQUIRED

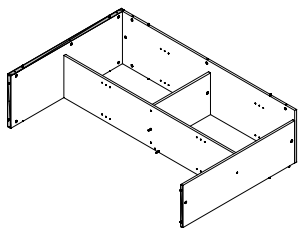


# STEP 46

## PARTS REQUIRED

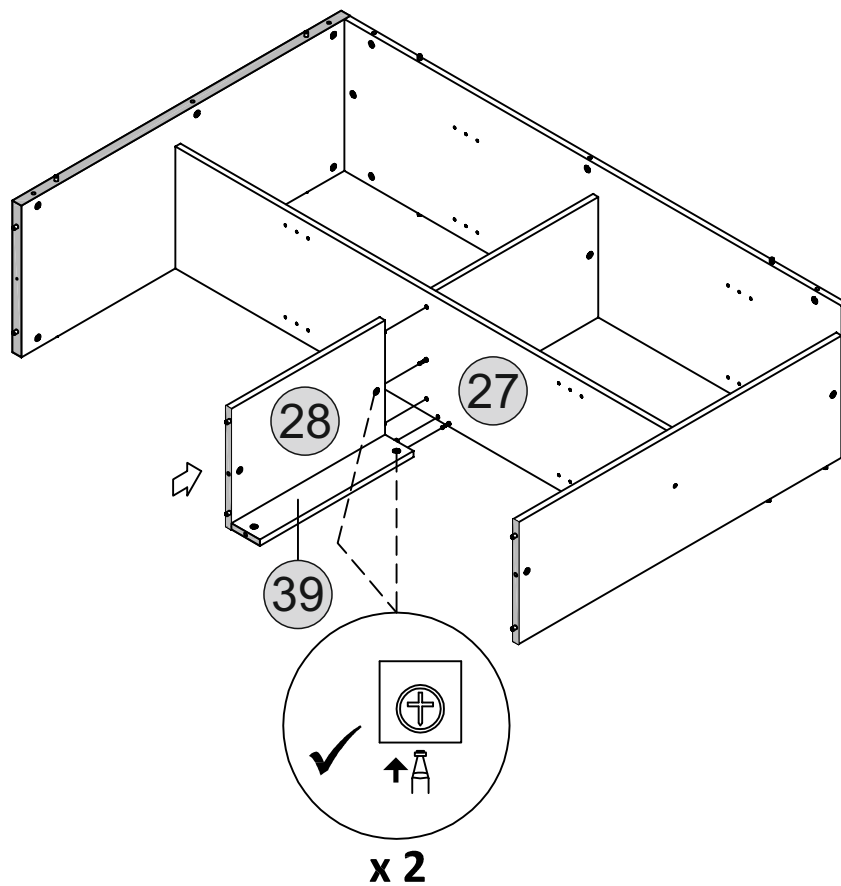
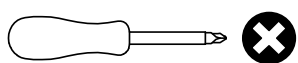
28- CENTER PANEL (SHELF) x1

39- SUPPORT PANEL (SHELF) x1



## HARDWARE REQUIRED

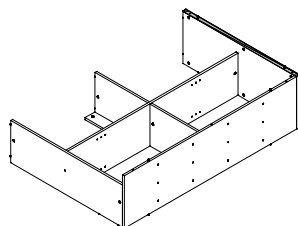
## TOOLS REQUIRED



# STEP 47

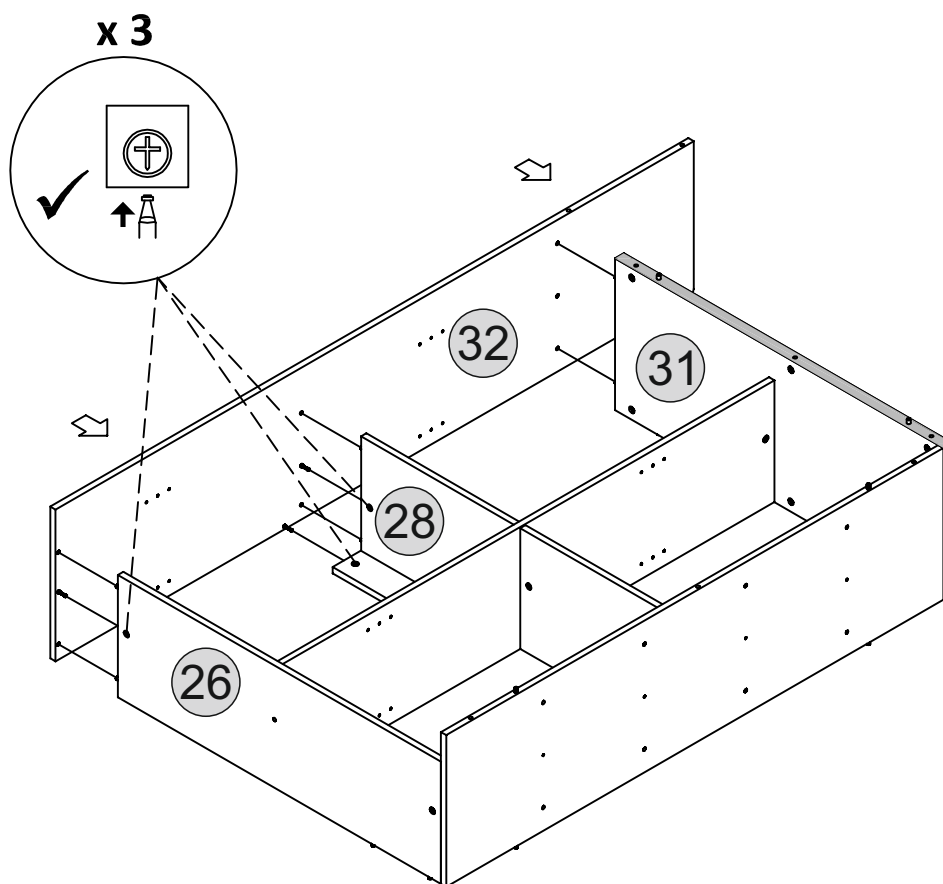
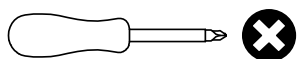
## PARTS REQUIRED

32- LEFT PANEL (SHELF) x1



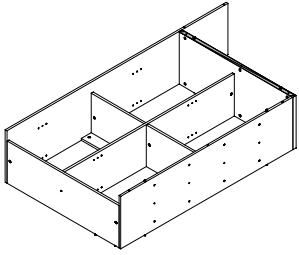
## HARDWARE REQUIRED

## TOOLS REQUIRED

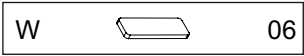
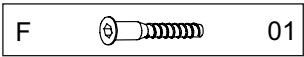


# STEP 48

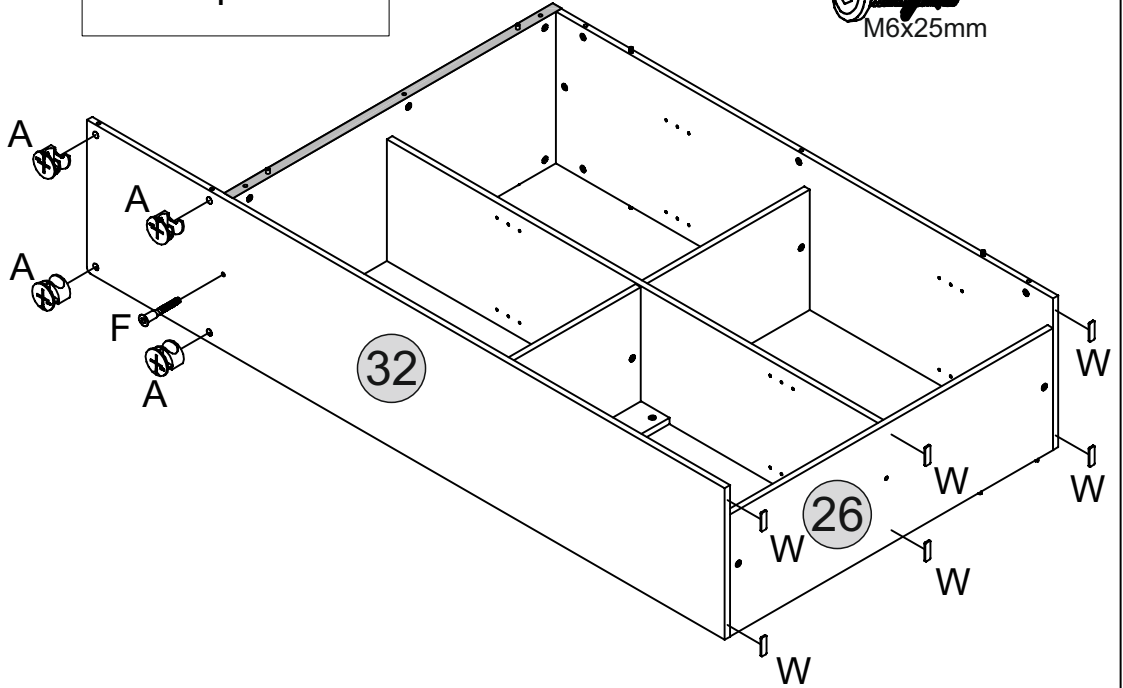
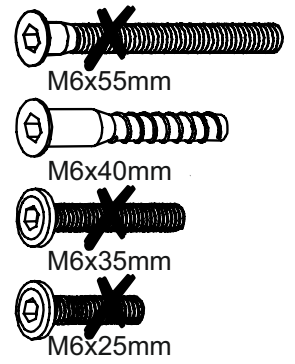
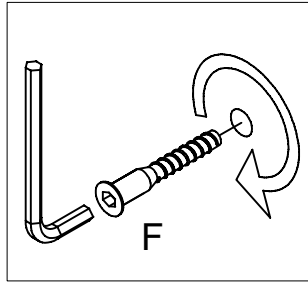
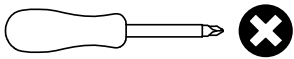
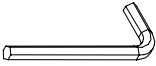
## PARTS REQUIRED



## HARDWARE REQUIRED

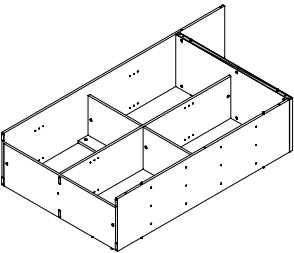


## TOOLS REQUIRED

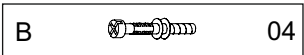


# STEP 49

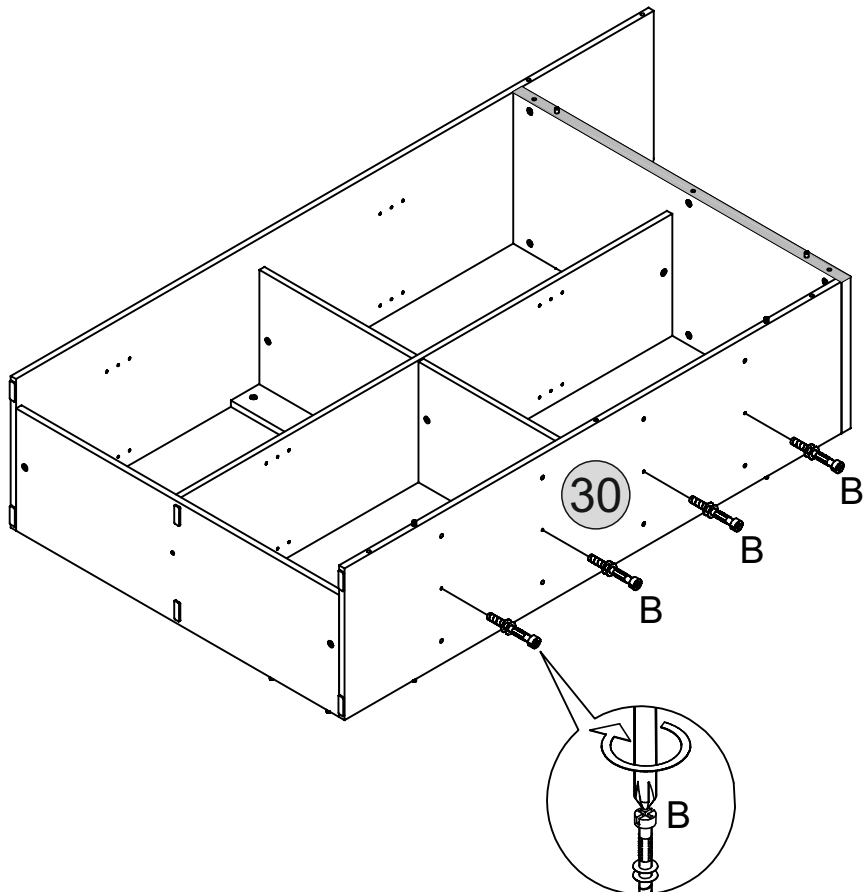
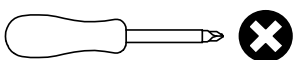
## PARTS REQUIRED



## HARDWARE REQUIRED



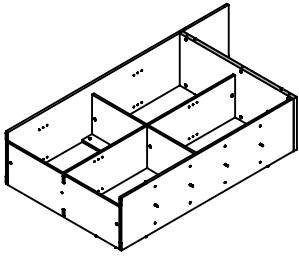
## TOOLS REQUIRED



# STEP 50

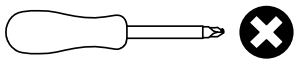
**PARTS REQUIRED**

35- LADDER STEP x4

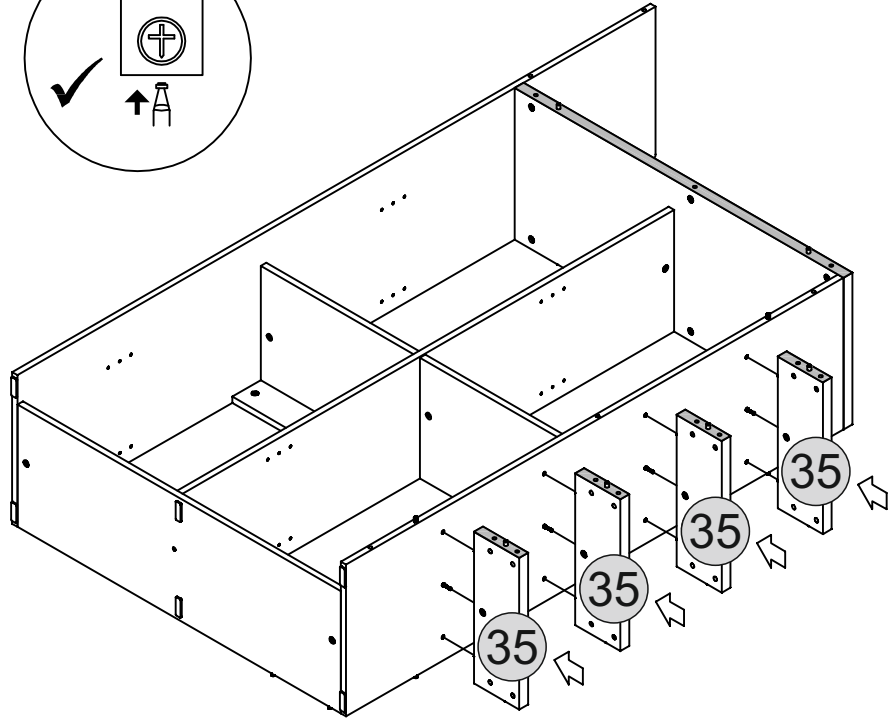
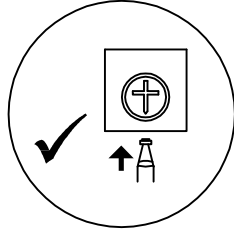


**HARDWARE REQUIRED**

**TOOLS REQUIRED**



x 4



# STEP 51

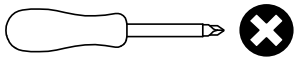
**PARTS REQUIRED**

33- LEFT PANEL x1

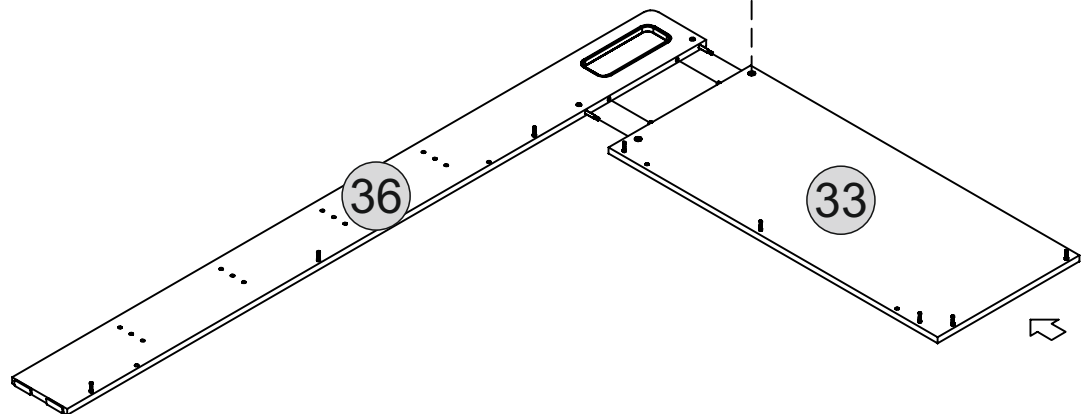
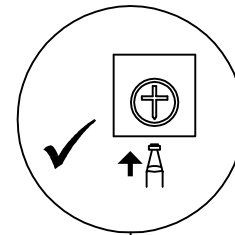
36- LEFT PANEL (LADDER) x1

**HARDWARE REQUIRED**

**TOOLS REQUIRED**

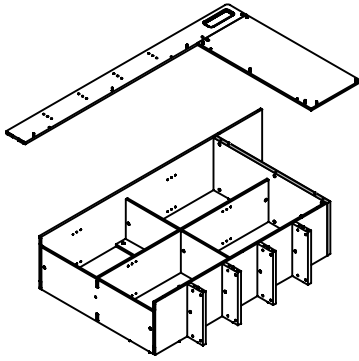


x 2

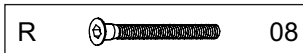


# STEP 52

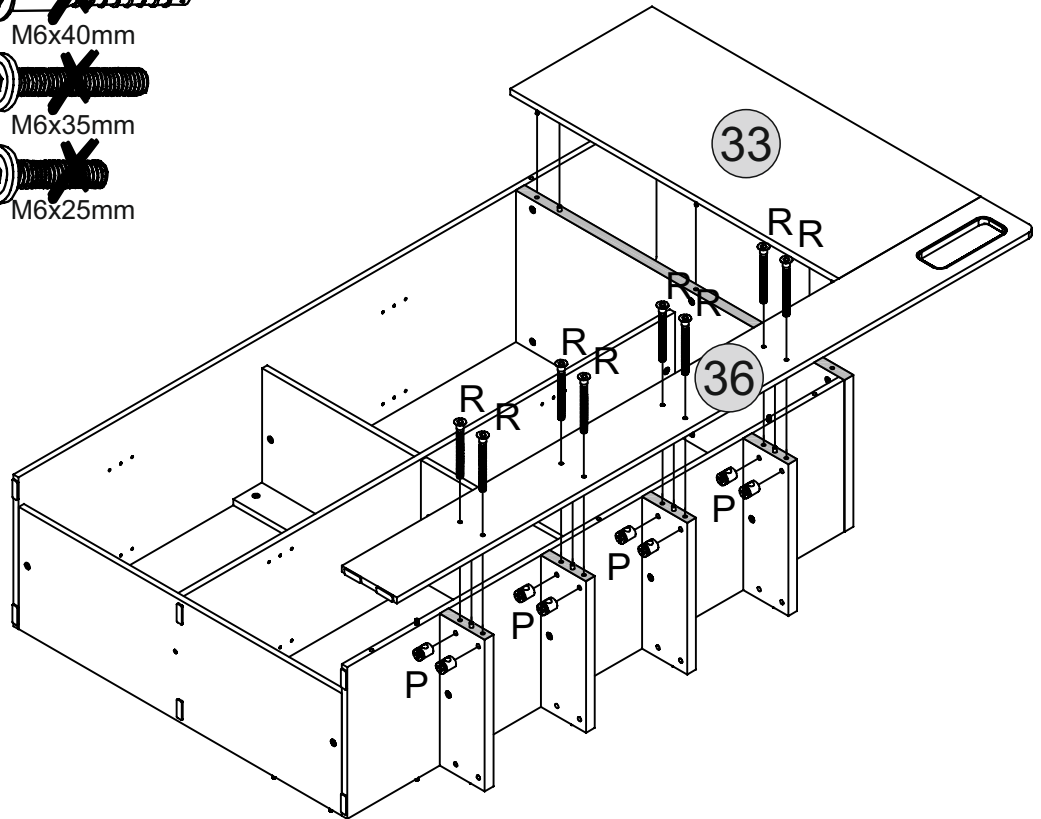
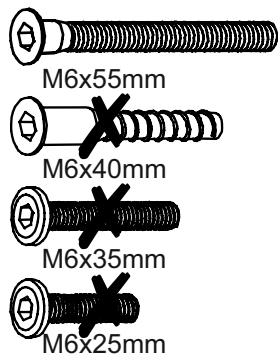
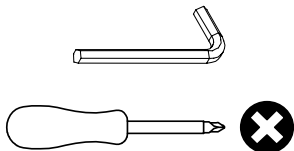
## PARTS REQUIRED



## HARDWARE REQUIRED

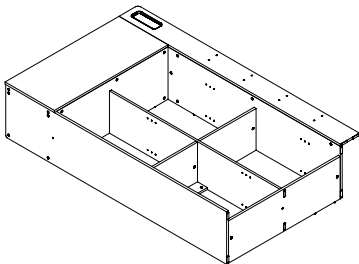


## TOOLS REQUIRED



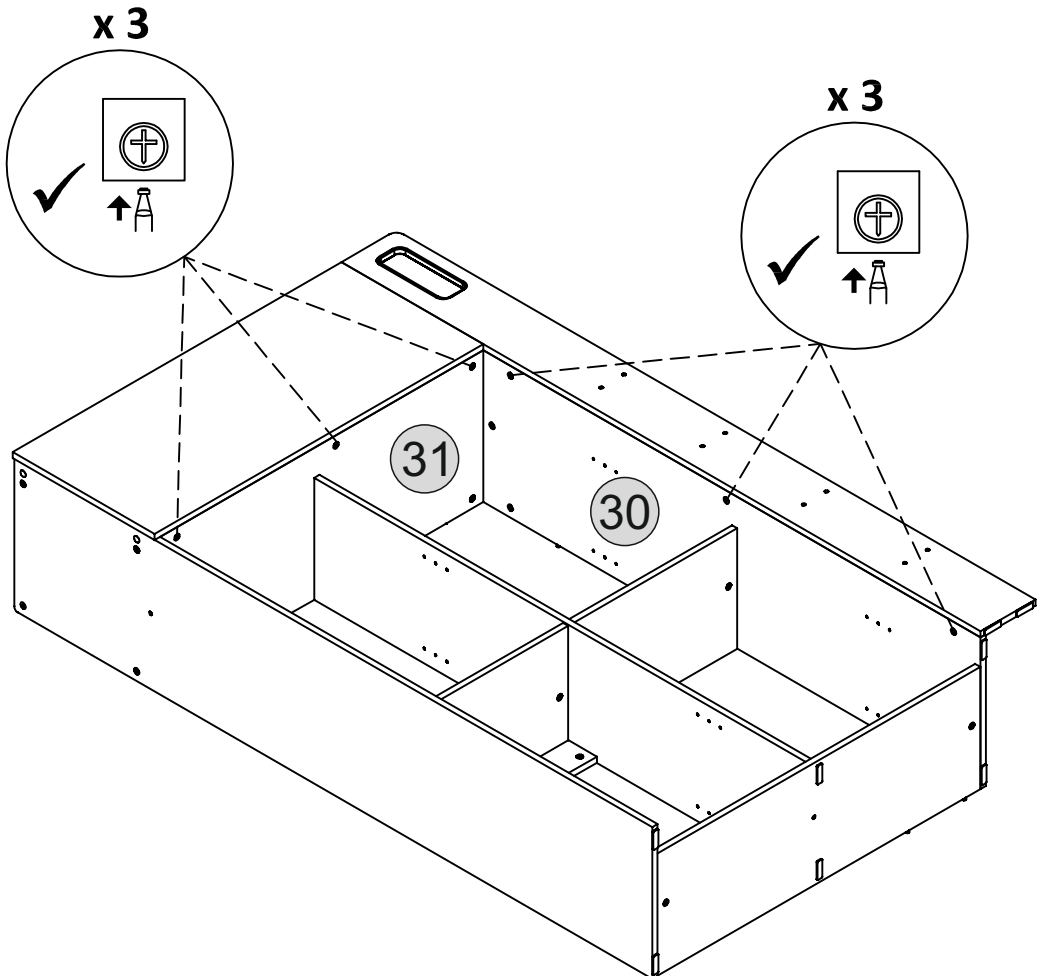
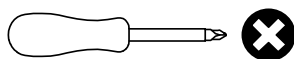
# STEP 53

## PARTS REQUIRED



## HARDWARE REQUIRED

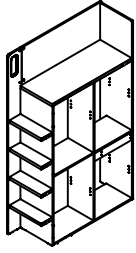
## TOOLS REQUIRED






# STEP 54

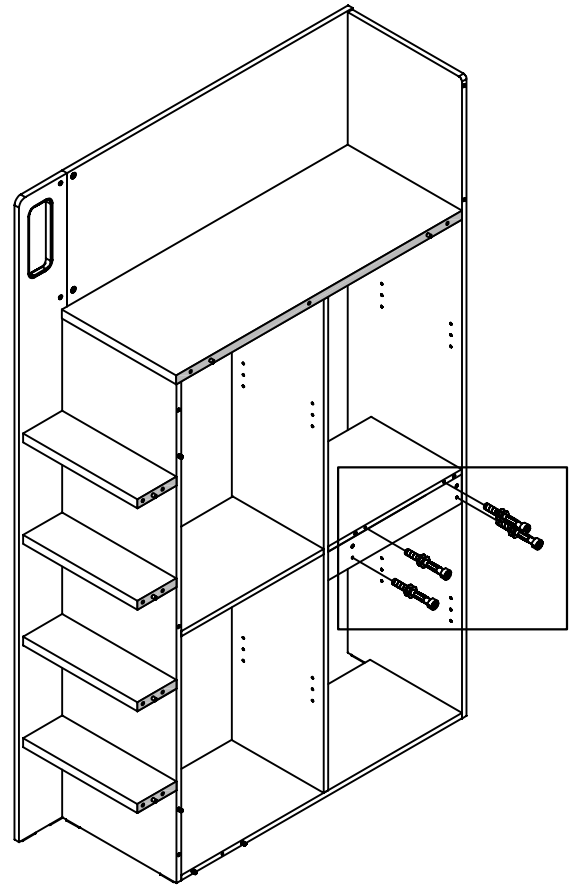
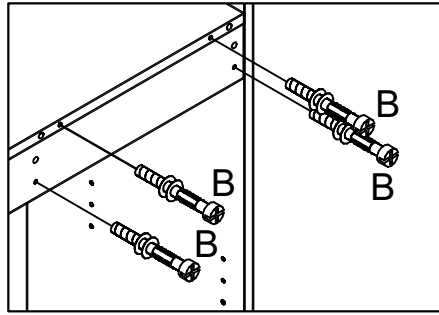
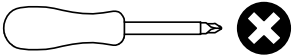
## PARTS REQUIRED



## HARDWARE REQUIRED

B  04

## TOOLS REQUIRED



# STEP 55

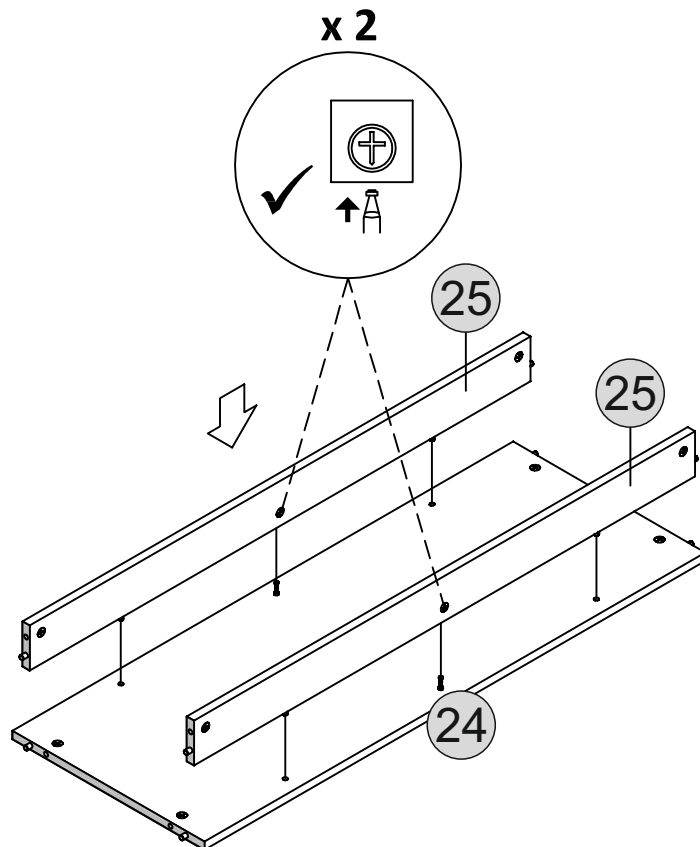
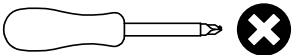
## PARTS REQUIRED

24- TOP PANEL (DESK) x1

25- SUPPORT PANEL (DESK) x2

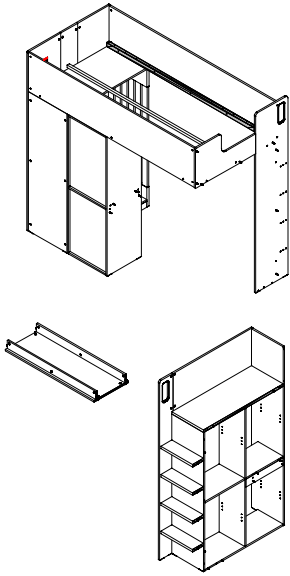
## HARDWARE REQUIRED

## TOOLS REQUIRED



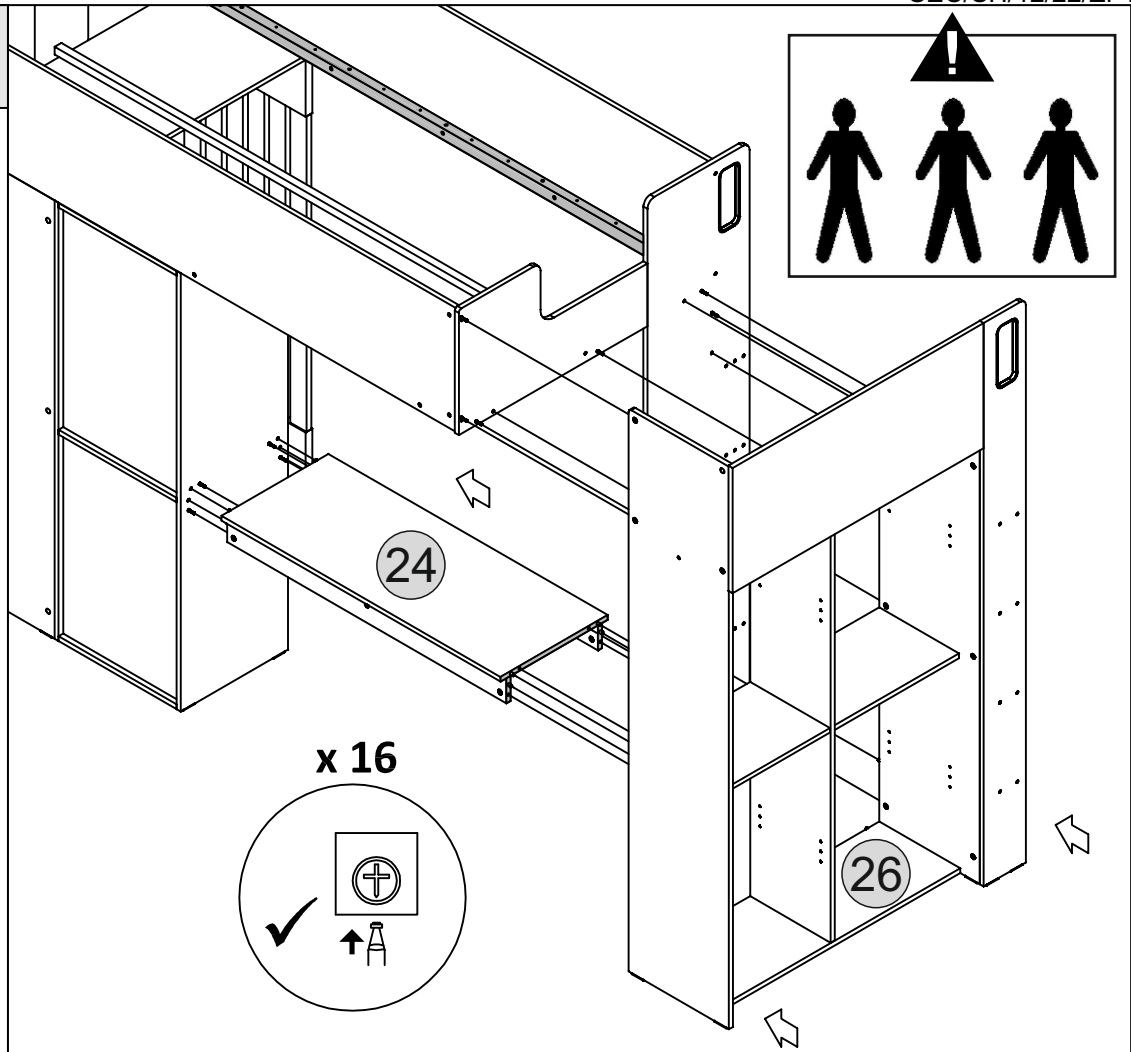
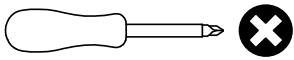
# STEP 56

**PARTS REQUIRED**



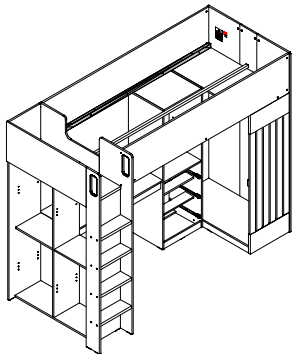
**HARDWARE REQUIRED**

**TOOLS REQUIRED**



# STEP 57

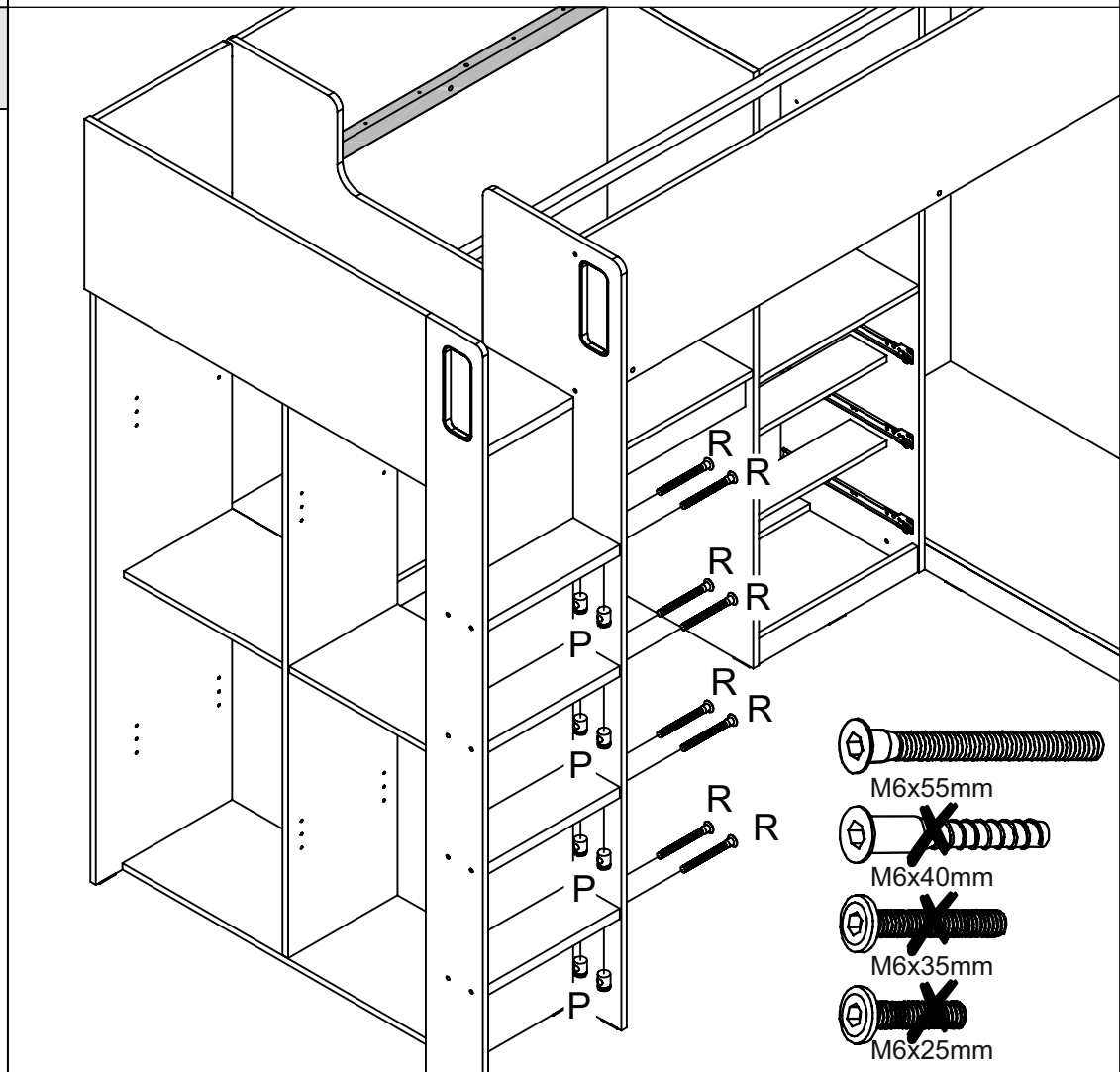
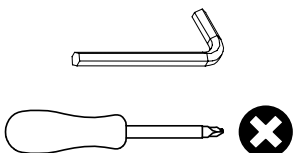
**PARTS REQUIRED**



**HARDWARE REQUIRED**

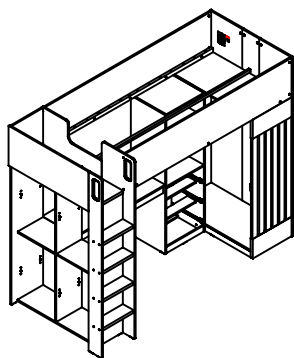
P		08
R		08

**TOOLS REQUIRED**



# STEP 58

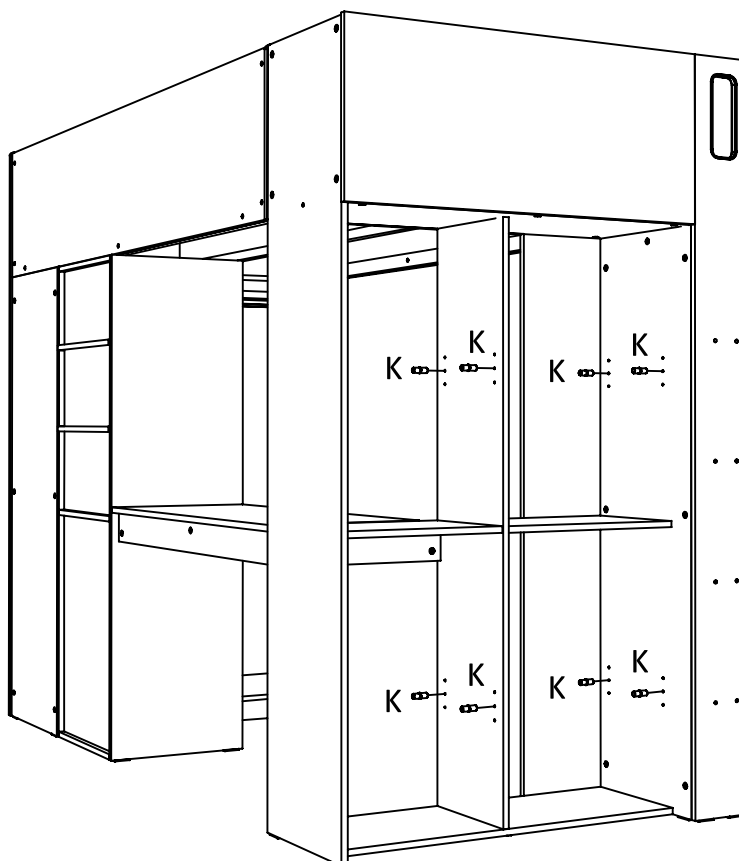
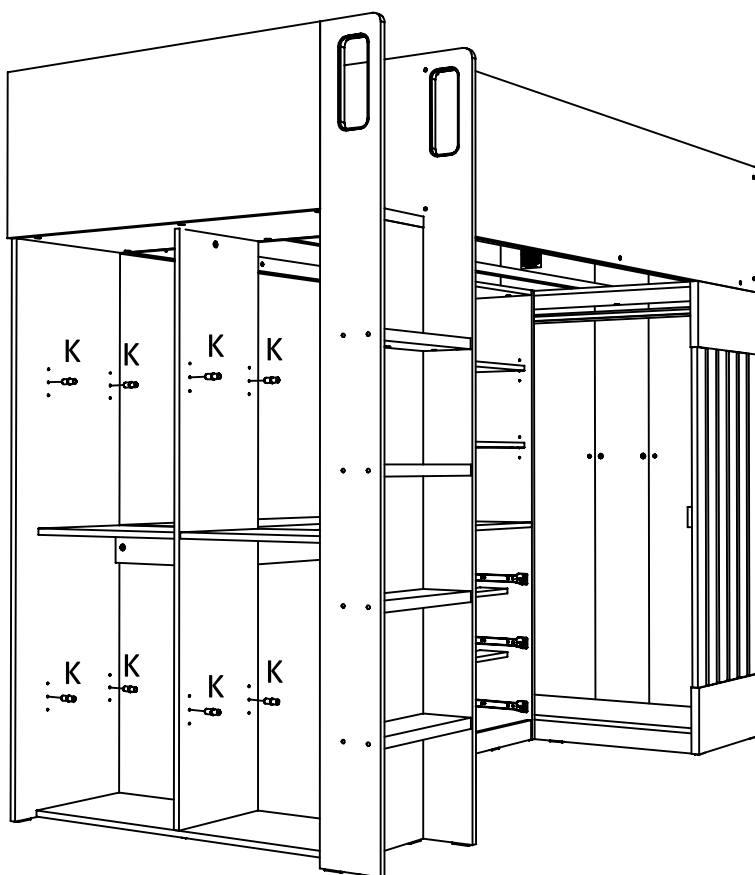
## PARTS REQUIRED



## HARDWARE REQUIRED



## TOOLS REQUIRED

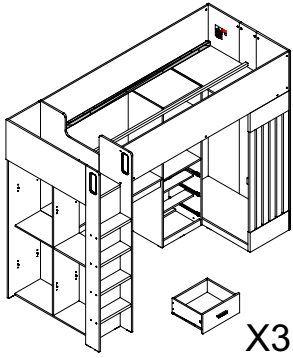


# STEP 59

## PARTS REQUIRED

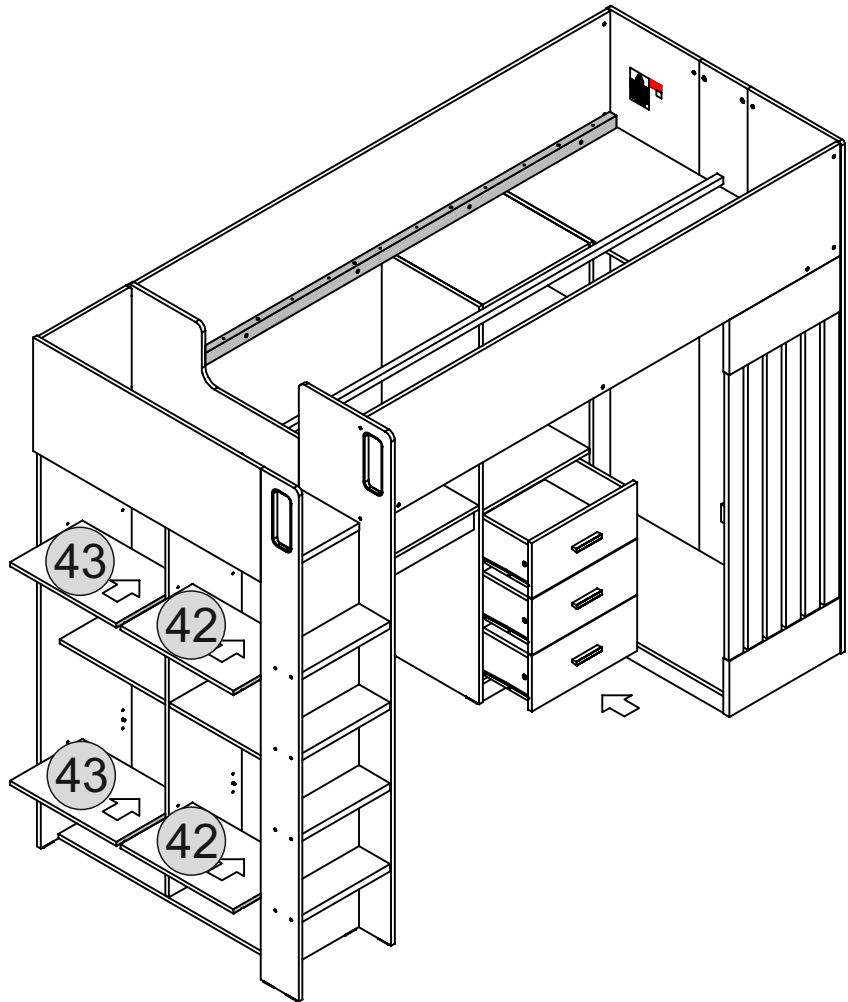
42- RIGHT MOVEABLE SHELF x2

43- LEFT MOVEABLE SHELF x2



## HARDWARE REQUIRED

## TOOLS REQUIRED



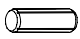
# STEP 60

## PARTS REQUIRED

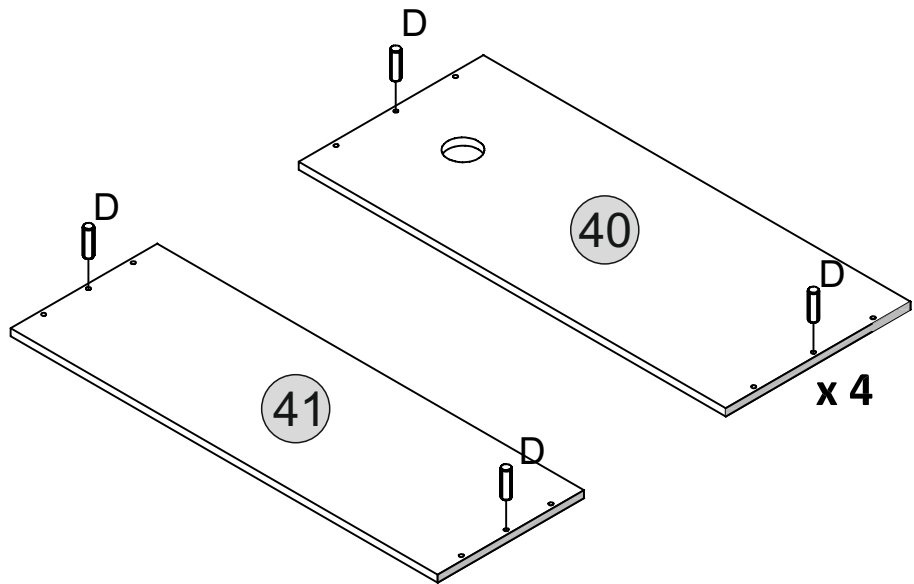
40- BASE PANEL x4

41- CENTRE BASE PANEL x1

## HARDWARE REQUIRED

D  10

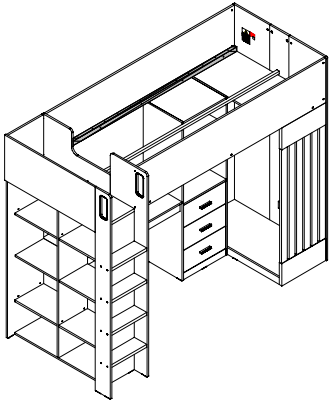
## TOOLS REQUIRED



# STEP 61

## PARTS REQUIRED

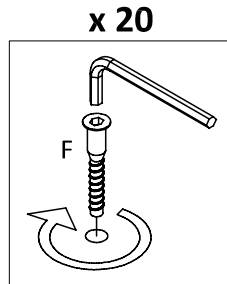
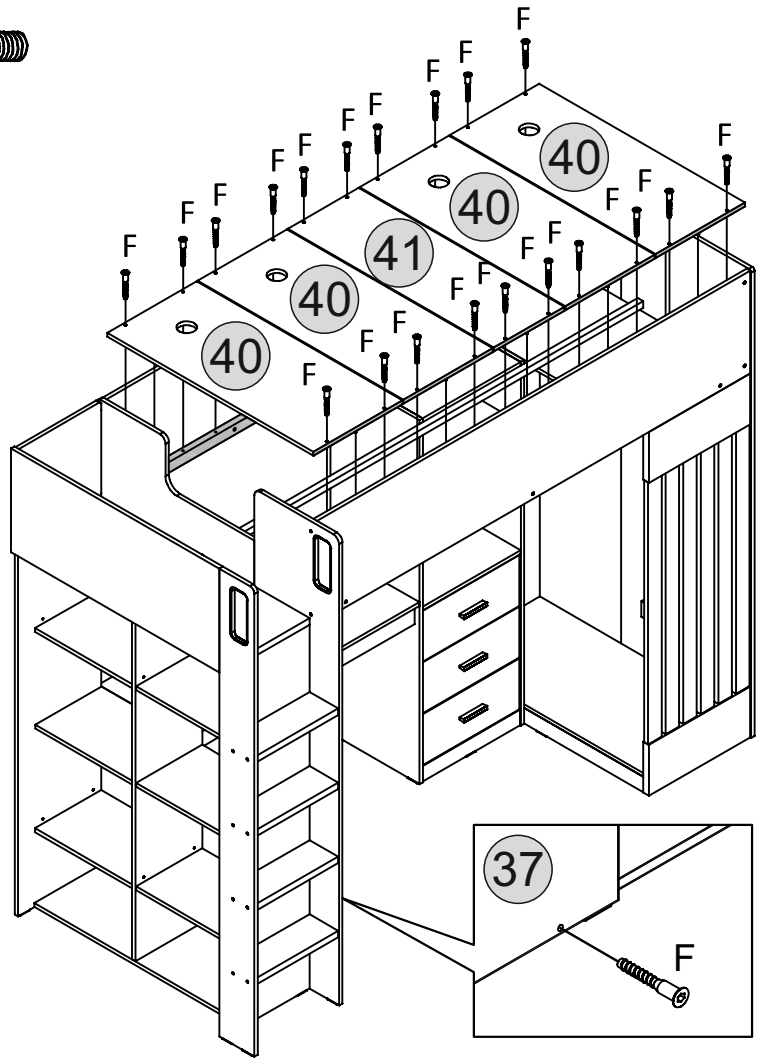
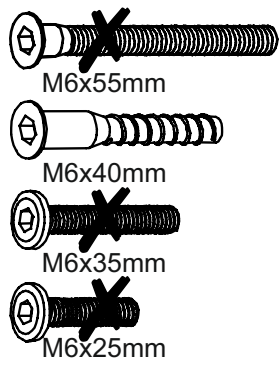
40- BASE PANEL	x4
41- CENTRE BASE PANEL	x1



## HARDWARE REQUIRED

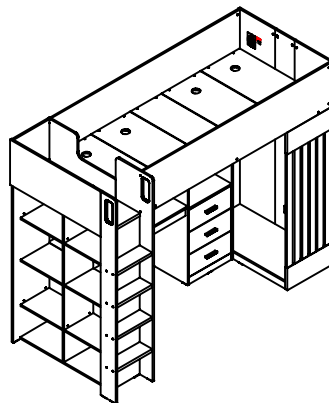
F		21
---	--	----

## TOOLS REQUIRED



# STEP 62

## PARTS REQUIRED



MAX BED WEIGHT

## HARDWARE REQUIRED

X		04
---	--	----

## TOOLS REQUIRED

