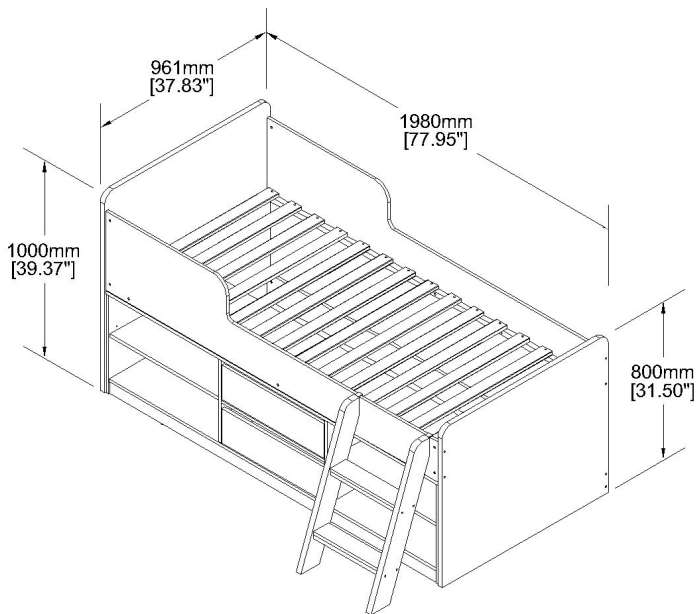


Model : Felix Low Sleeper Bed

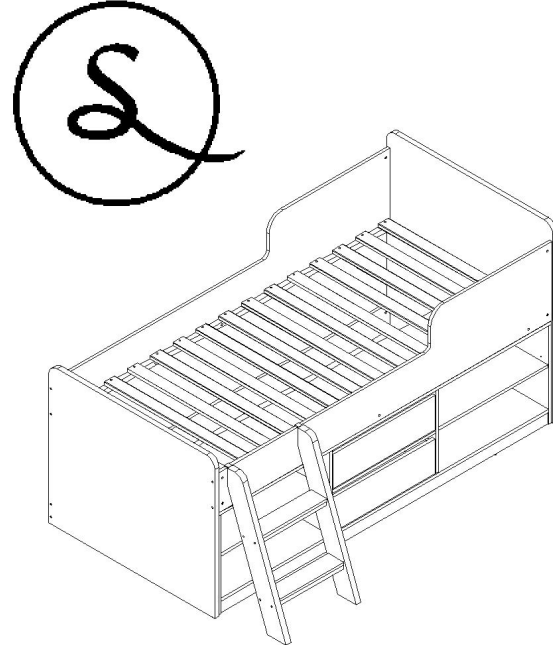
Thank you for purchasing this product. Before starting assembly we suggest you spend a short time reading through this leaflet, then follow the simple step by step guide.
Two people are needed to assemble this product.

Option A



Page 1 - 13

Option B



Page 1 - 10
Page 14-16

TOP TIPS BEFORE YOU START !

IMPORTANT- READ CAREFULLY- RETAIN FOR FUTURE REFERENCE

1. Please check that all parts & hardware are present before you start the assembly of your furniture.
2. For ease and speed of assembly, we recommend that before you commence each step of the assembly, Please identify all the parts required for that step.
3. We recommend that where possible, all items are assembled near to the area in which they will be placed in use, to Avoid moving the product unnecessarily once assembled.
4. For the protection of your furniture, particularly items of high gloss finish, we recommend that the product is placed on a Protected surface during assembly to prevent any damage.
5. During assembly please take care not to over-tighten any fittings, as this may damage the product.

CARE AND MAINTENANCE OF YOUR FURNITURE

- Please periodically check all fittings and re-tighten as necessary.
- To clean your item, please use a damp cloth and wipe clean.
- Never allow any kind of liquid to remain on your furniture. Absorption can cause wood to warp or finishes to de-laminate.
- Please do not place hot items (e.g hot drinks) directly on the wood surface.
- Please do not drag or pull your furniture.

IMPORTANT INFORMATION

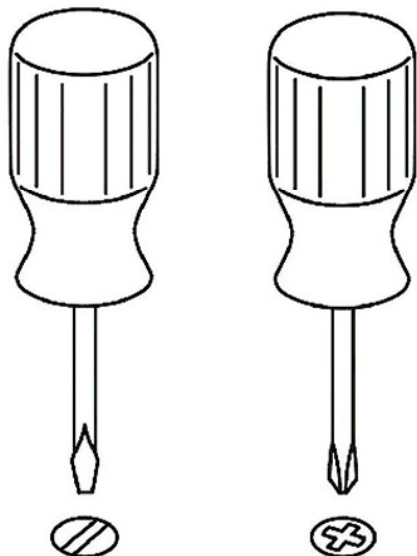
1. Thickness of mattress should not exceed 150mm.
2. Children should be discouraged from playing on top of this day bed.
3. The bed should be checked periodically by the owner to ensure that the guardrail and other components are maintained in the correct position and state of repair and that all connectors are tight.

Guide To Assembly

Model : Felix Low Sleeper Bed

Tools Required For Assembly

Phillips Screw Driver



DO NOT USE POWER TOOLS TO ASSEMBLE THIS PRODUCT. USE OF POWER TOOLS WILL INVALIDATE ANY CLAIM AND MAY DAMAGE THIS PRODUCT MAKING IT UNSAFE.

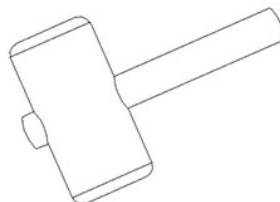


Approximately 1 hour 40min

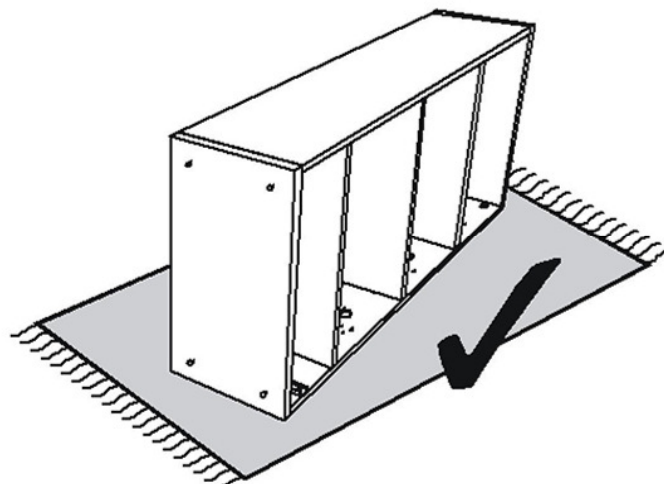
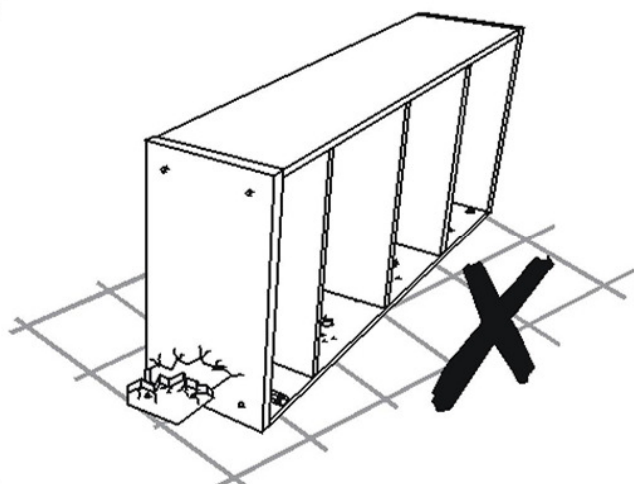
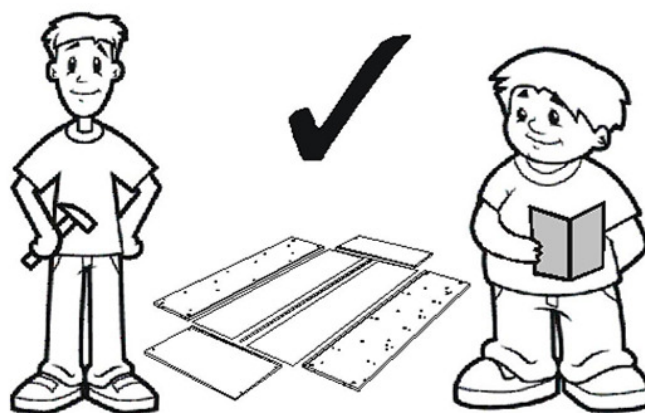
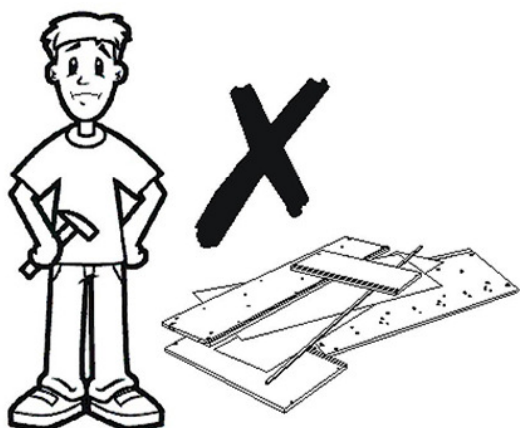
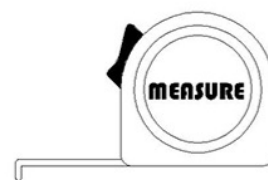


2 People Required

Rubber Hammer



Measure



Part List

Model : Felix Low Sleeper Bed

Carton 1 of 3

No.	Part Name	Pcs
17	Headboard	1
21	Footboard	1

Carton 2 of 3

01	Plinth Panel (Cabinet)	2
02	Bottom Panel (Cabinet)	1
10	Top Panel (Cabinet)	1
18	Back Support Panel	1
19	Side Panel	1
20	Side Panel	1
25	Side Rail	2
27	Ladder Support Rail	4

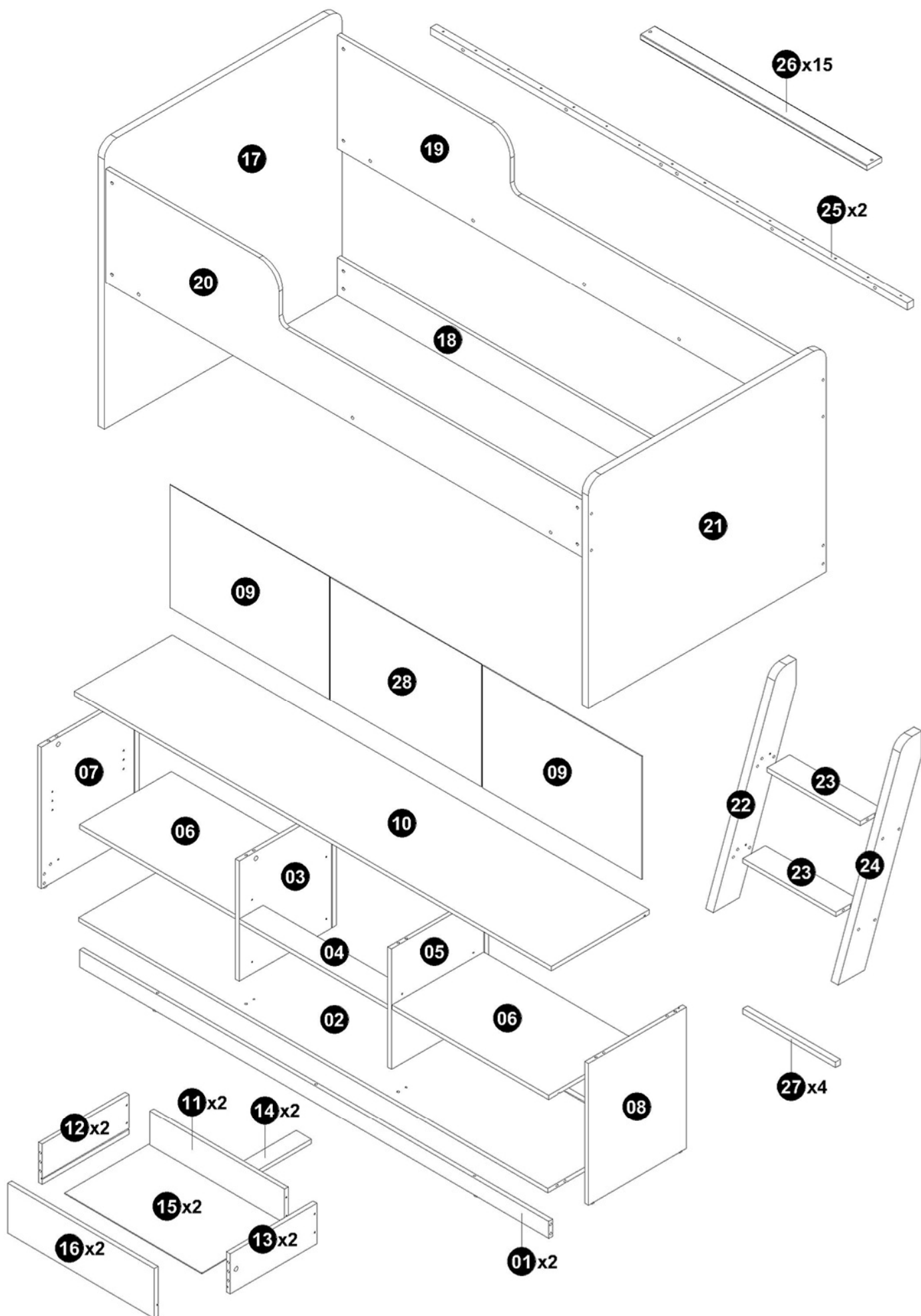
Assembly Instructions + Fitting List

Carton 3 of 3

03	Centre Left Panel (Cabinet)	1
04	Support Panel (Cabinet)	1
05	Centre Right Panel (Cabinet)	1
06	Movable Panel (Cabinet)	2
07	Left Panel (Cabinet)	1
08	Right Panel (Cabinet)	1
09	Back Panel (Cabinet)	2
11	Back Panel (Drawer)	2
12	Left Panel (Drawer)	2
13	Right Panel (Drawer)	2
14	Bottom Support Panel (Drawer)	2
15	Bottom Panel (Drawer)	2
16	Front Panel (Drawer)	2
22	Ladder Left Panel	1
23	Ladder Step	2
24	Ladder Right Panel	1
26	Slats	15
28	Centre Back Panel (Cabinet)	1

Part List

Model : Felix Low Sleeper Bed



Fitting List

Model : Felix Low Sleeper Bed

Carton 2 of 3

Fitting List

No.	Part Name		Pcs
A	Cam Bolt		24
B	Cam Nut		24
C	M8 x 25mm Wood Dowel		46
D	45mm Chipboard Screw		4
E	38mm Chipboard Screw		12
F	14mm Chipboard Screw		24
G	14" Drawer Slide (SJ)		2 sets
H	Metal Shelf Support		8
J	M6 Round Nut		12
K	M6 x 60mm Allen Bolt		20
L	M6 x 35mm Allen Bolt		10
M	M6 x 30mm Allen Bolt		30
N	M6 JCN Nut		6
P	M6 Allen Key		2
Q	Ladder Hook (MG 027)		2
R	Sticker		6

Caution

There are many small components used in the construction of this unit. These loose items should be kept away from young children whilst assembling your unit. As an extra precaution, screw cover caps should be permanently fixed in position. (Where applicable)

USEFUL HINTS & TIPS

Two people will be required to assemble this unit

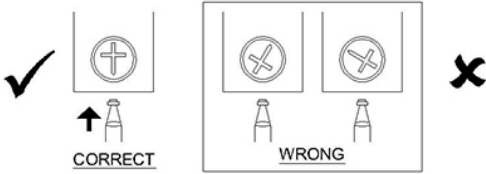
Please keep this assembly instruction for future reference

Guide To Assembly

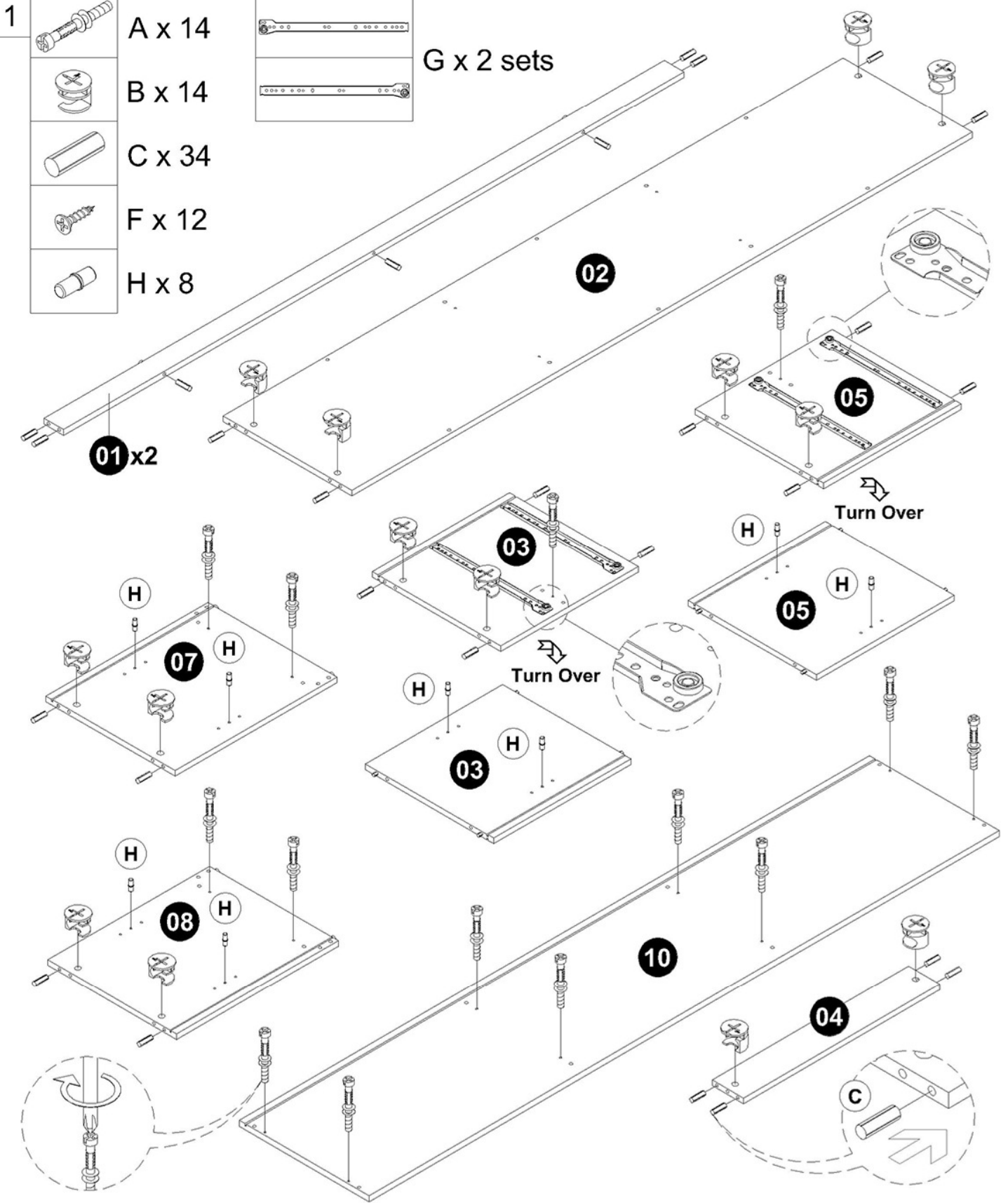
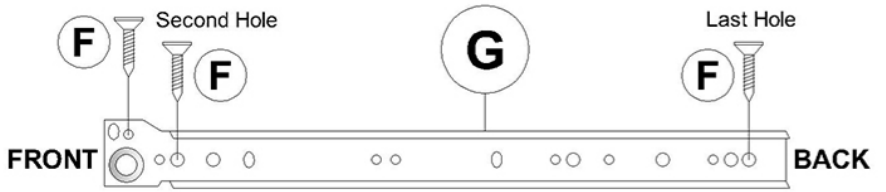
Model : Felix Low Sleeper Bed

WHEN FITTING CAMS

ENSURE STARTING POSITION IS CORRECT
BEFORE YOU INSERT CONNECTING BOLT
TURN CLOCKWISE UNTIL SECURE



To Assembly the Drawer Slide, Please Follow Step as Below

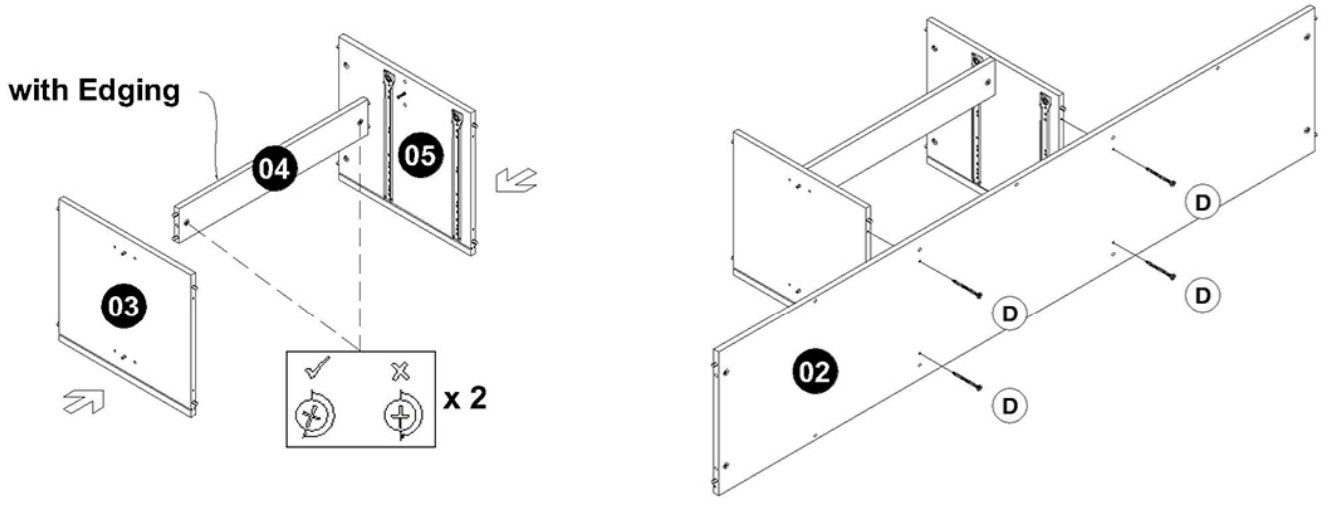


Guide To Assembly

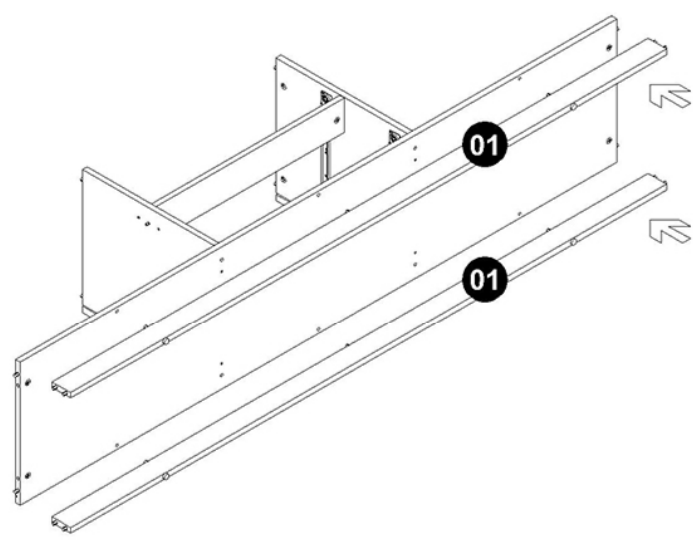
Model : Felix Low Sleeper Bed

2

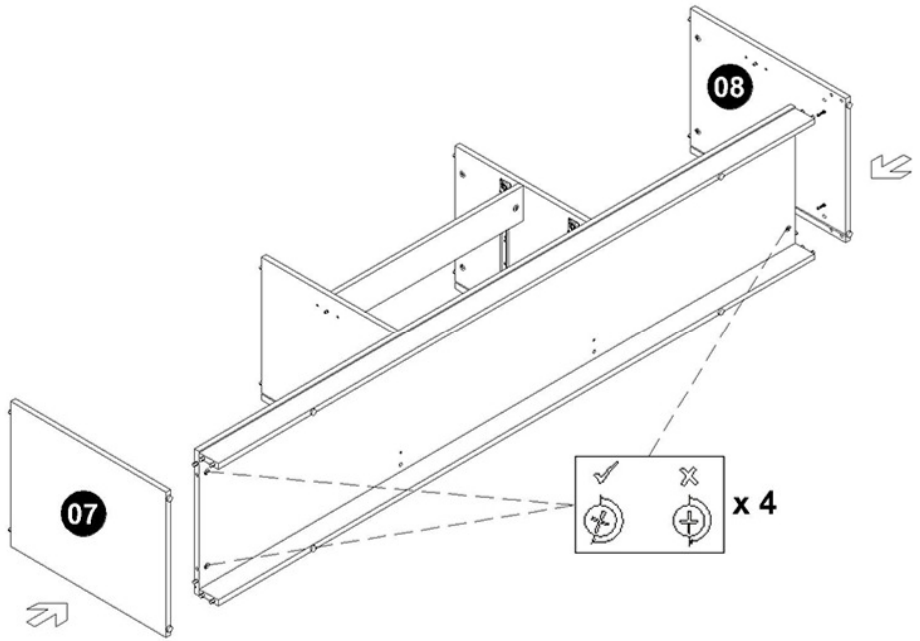
3



4



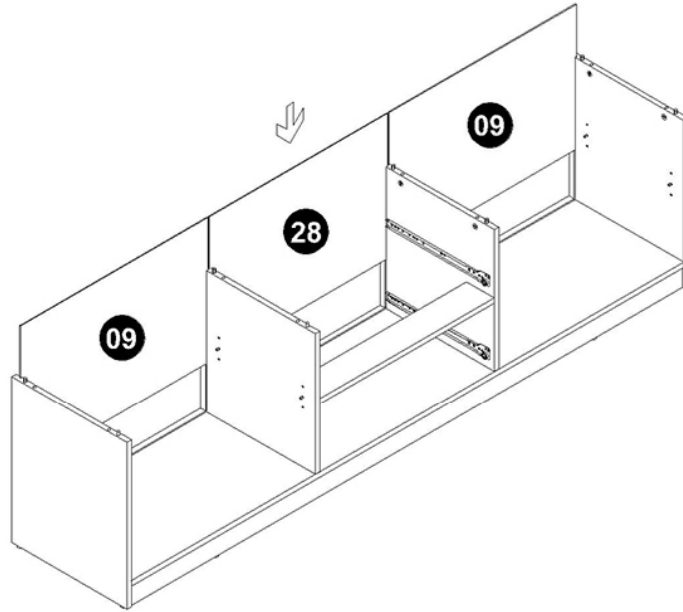
5



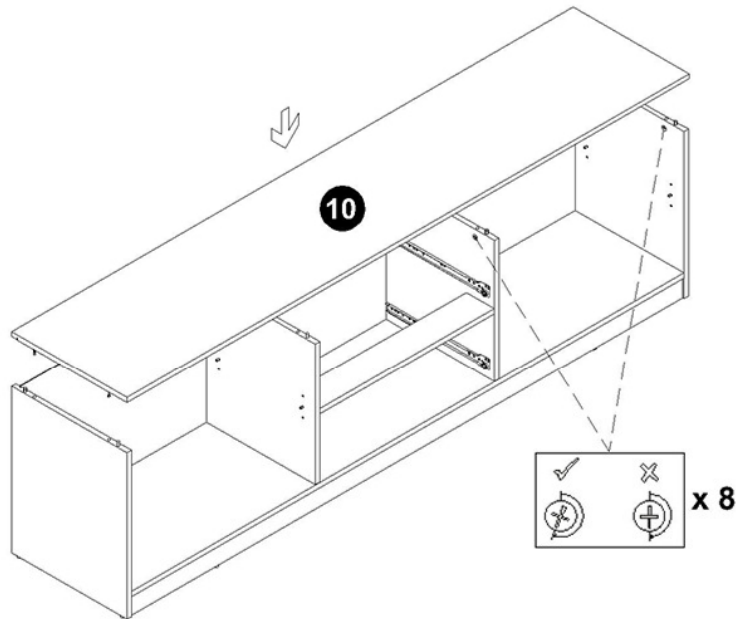
Guide To Assembly

Model : Felix Low Sleeper Bed

6



7



8



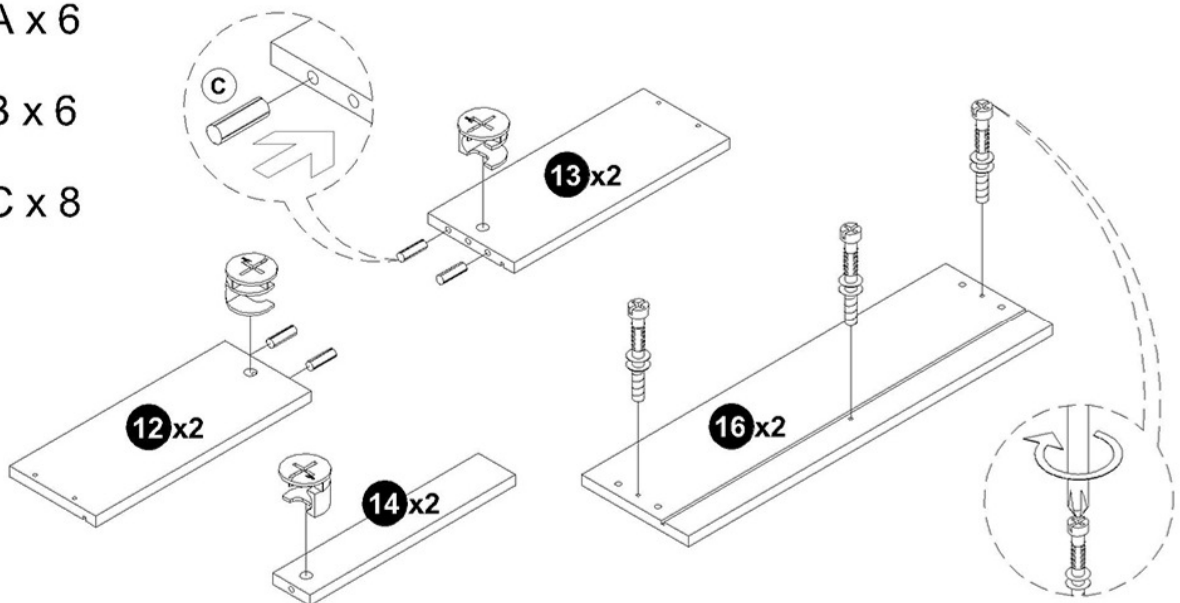
A x 6



B x 6



C x 8

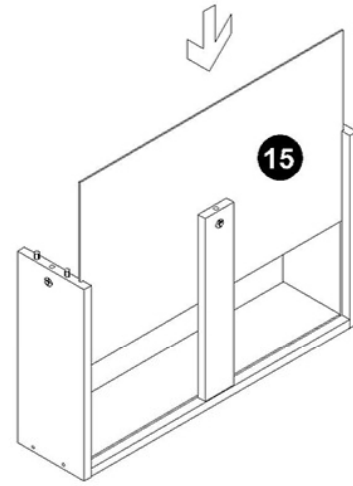
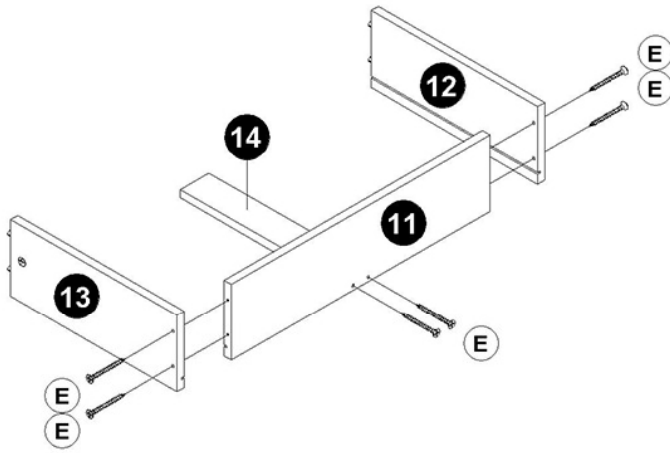


Guide To Assembly

Model : Felix Low Sleeper Bed

9  E x 12

10





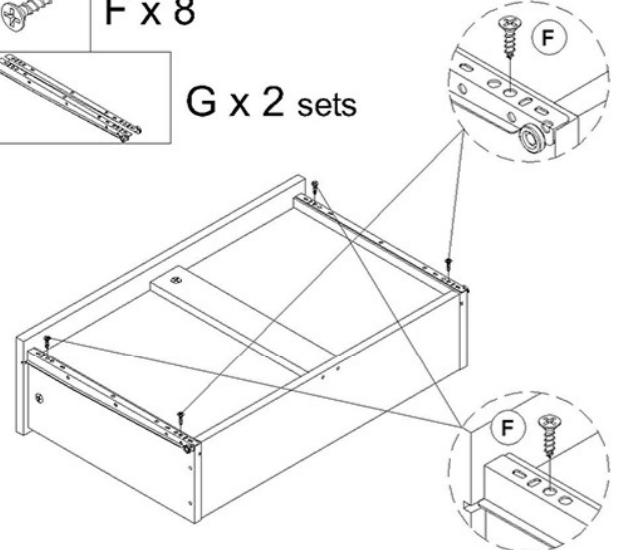
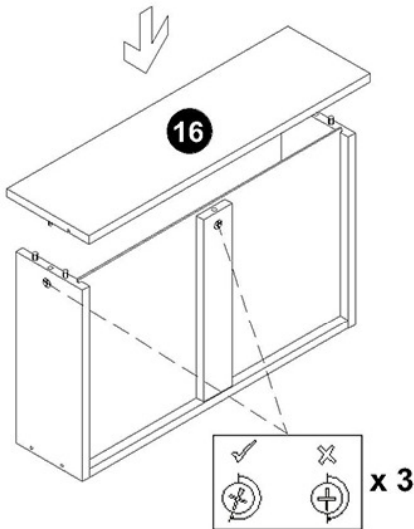
Do This Step 2 Times

Do This Step 2 Times

11

12

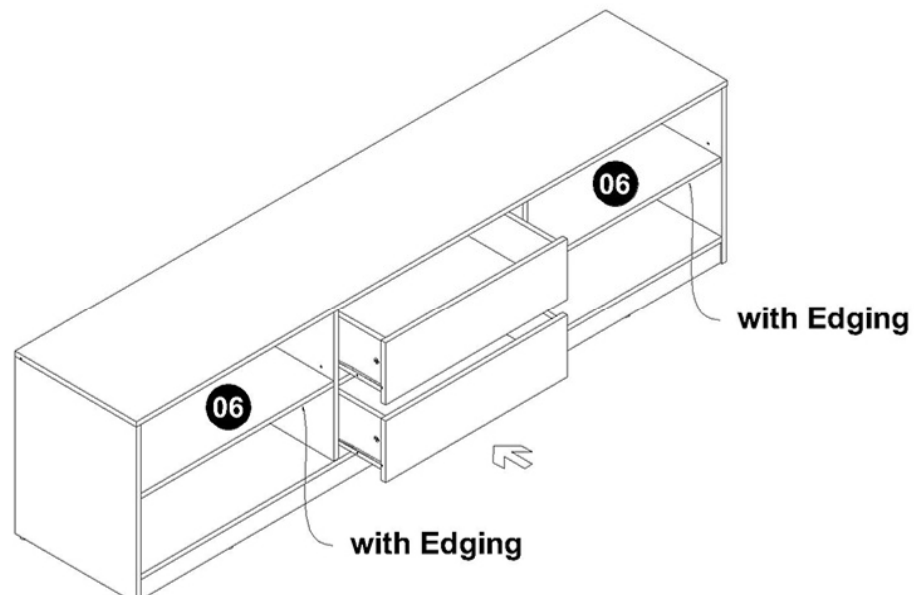
 F x 8
 G x 2 sets



Do This Step 2 Times

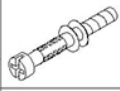

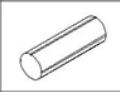
Do This Step 2 Times

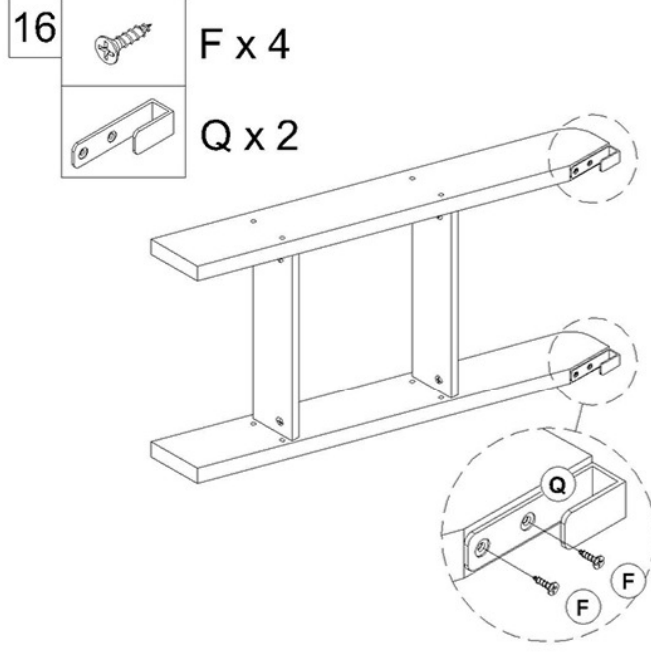
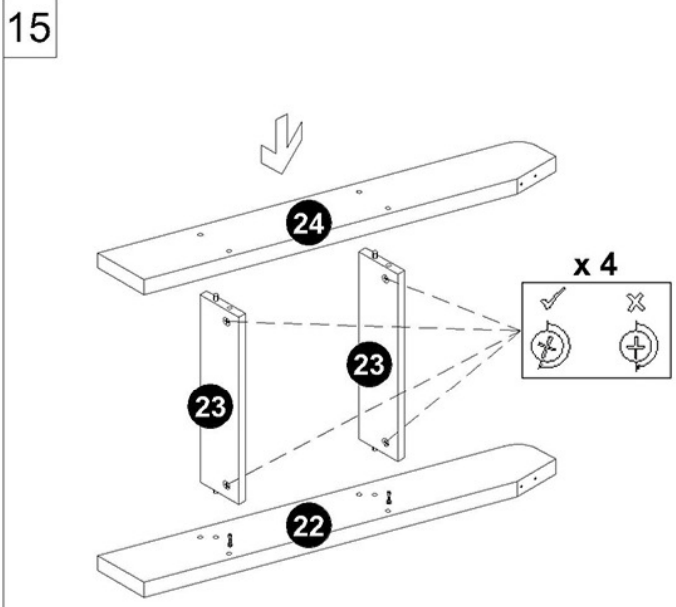
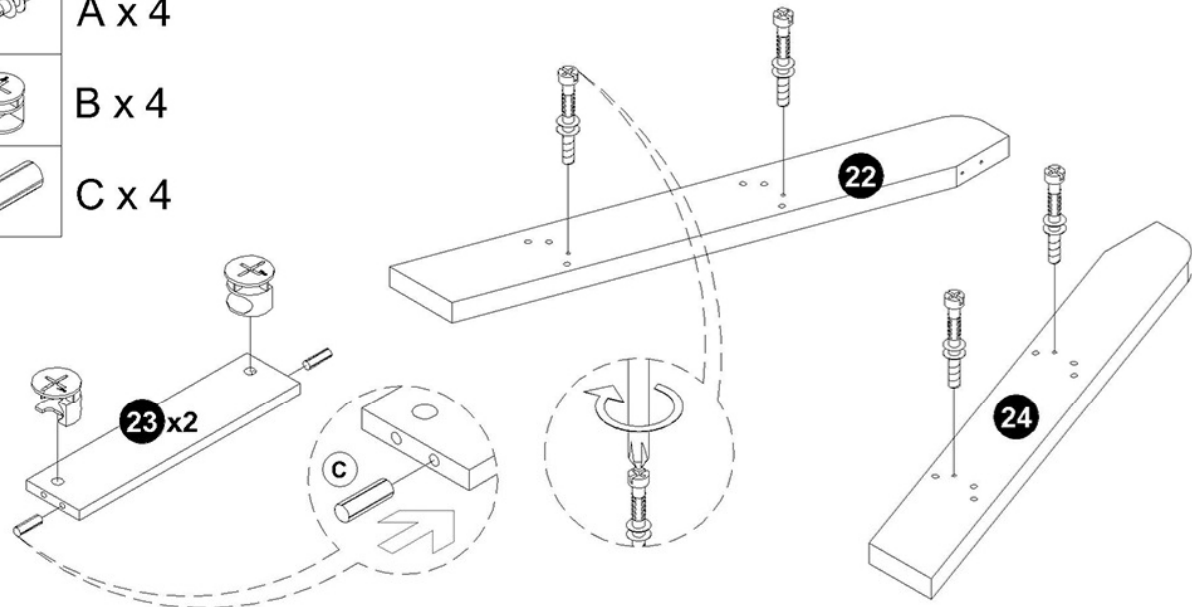
13



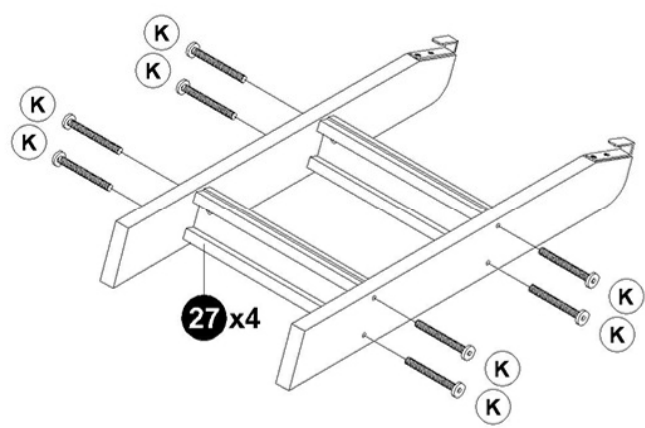
Guide To Assembly

Model : Felix Low Sleeper Bed

- 14
-  A x 4
 -  B x 4
 -  C x 4







- 17
-  K x 8



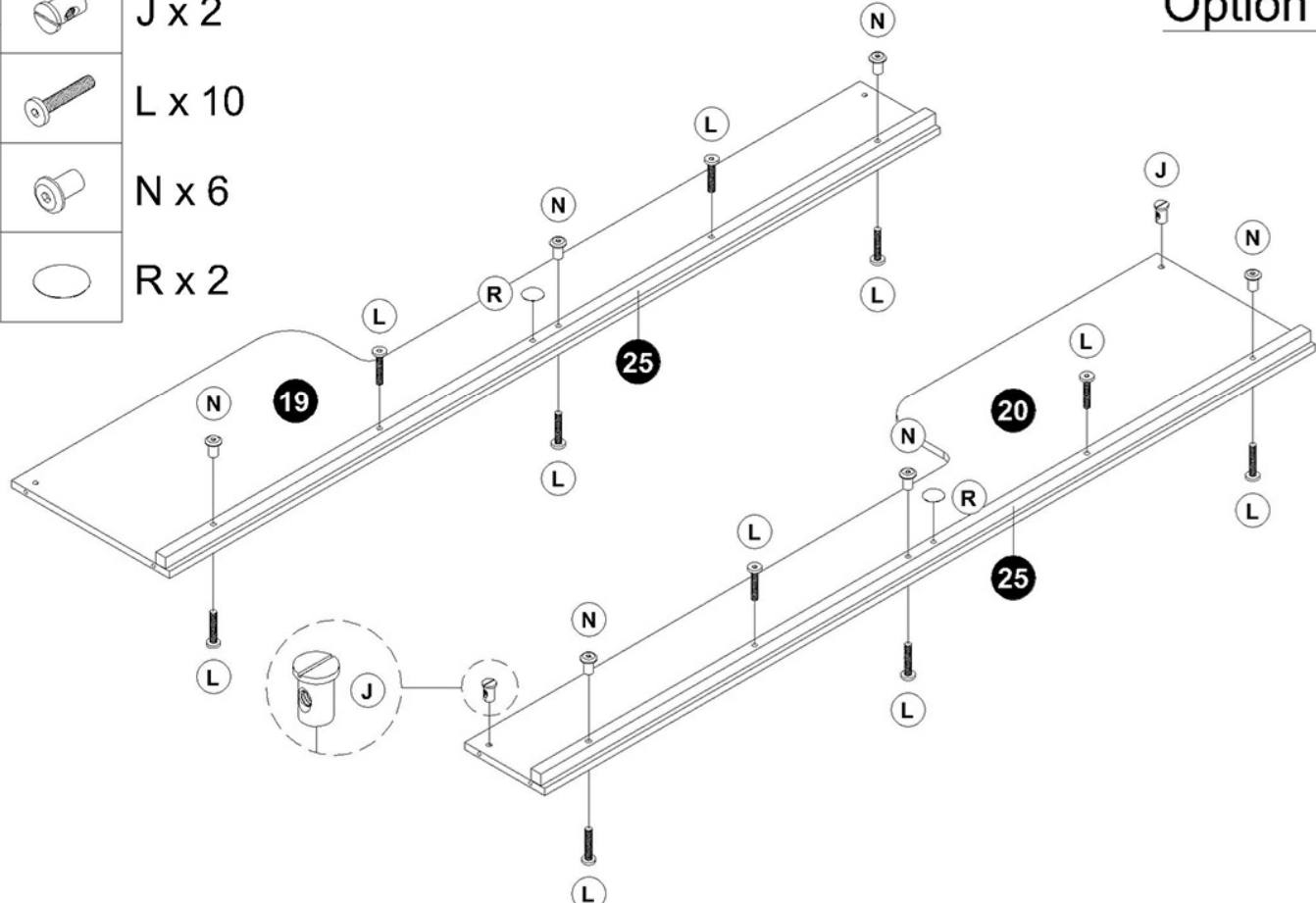
Guide To Assembly

Model : Felix Low Sleeper Bed



18

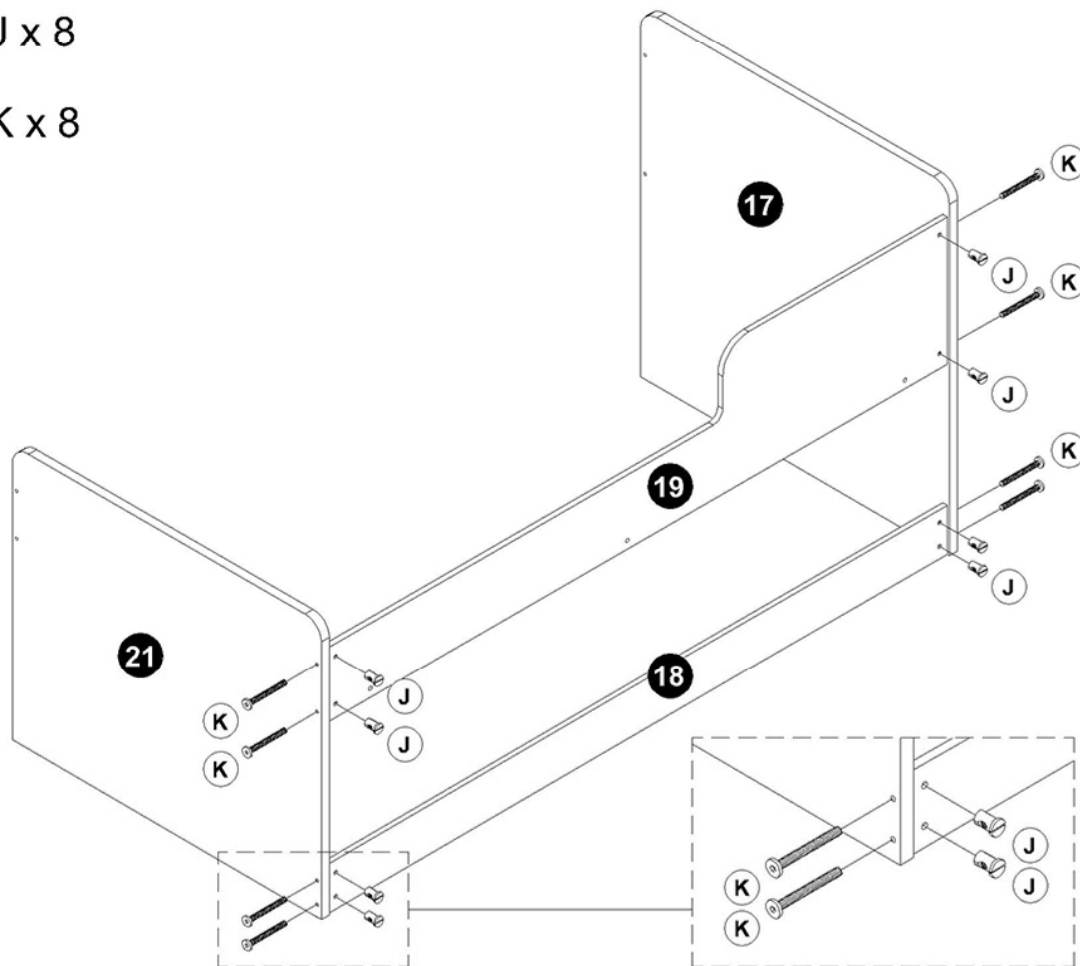
	J x 2
	L x 10
	N x 6
	R x 2

Option A



19

	J x 8
	K x 8



Guide To Assembly

Model : Felix Low Sleeper Bed

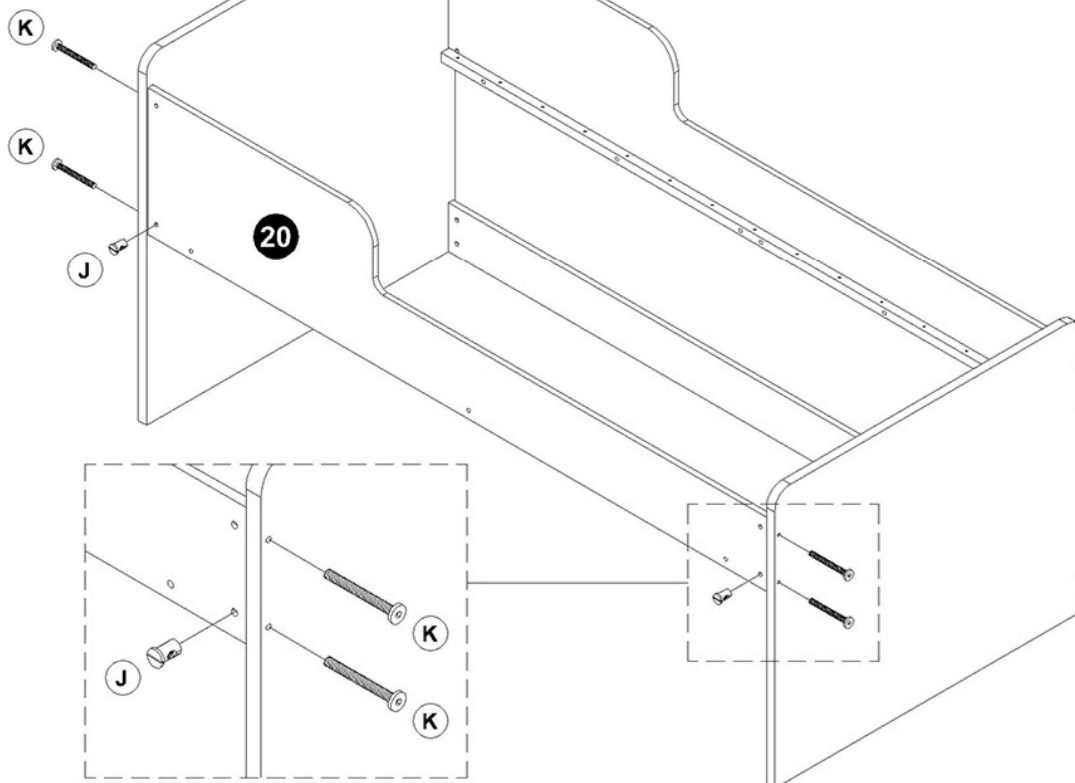
20



J x 2



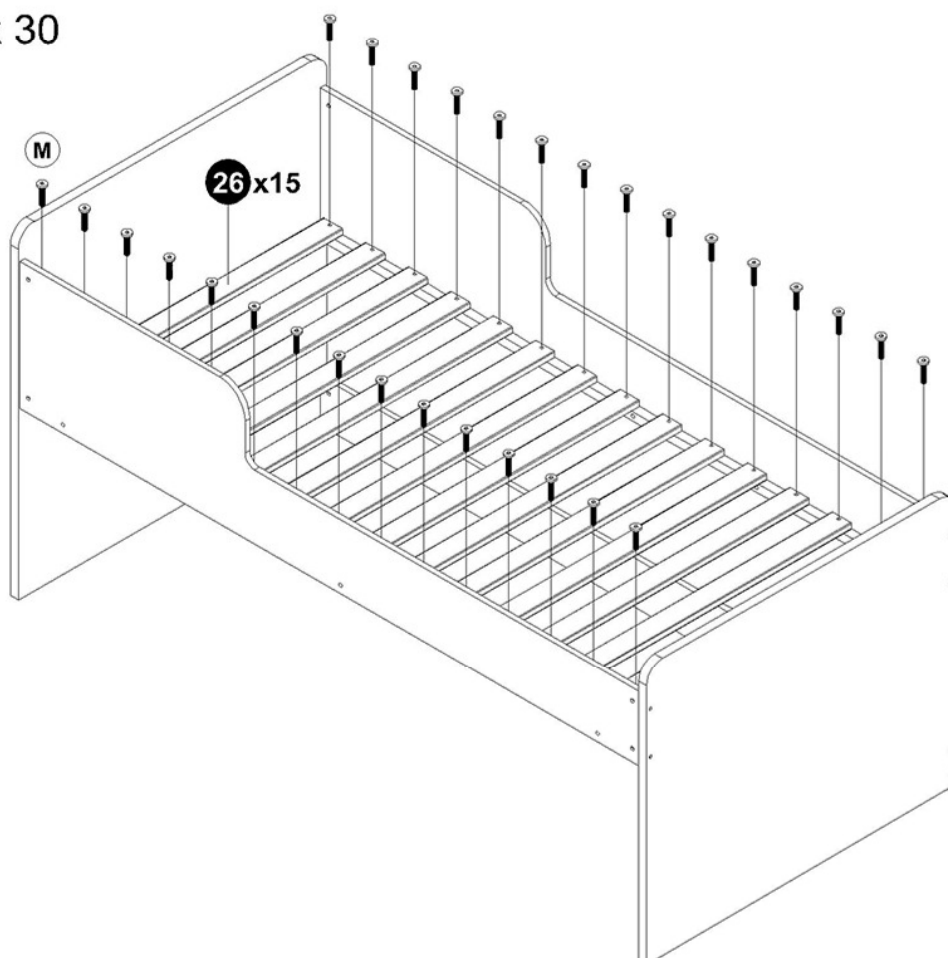
K x 4



21



M x 30



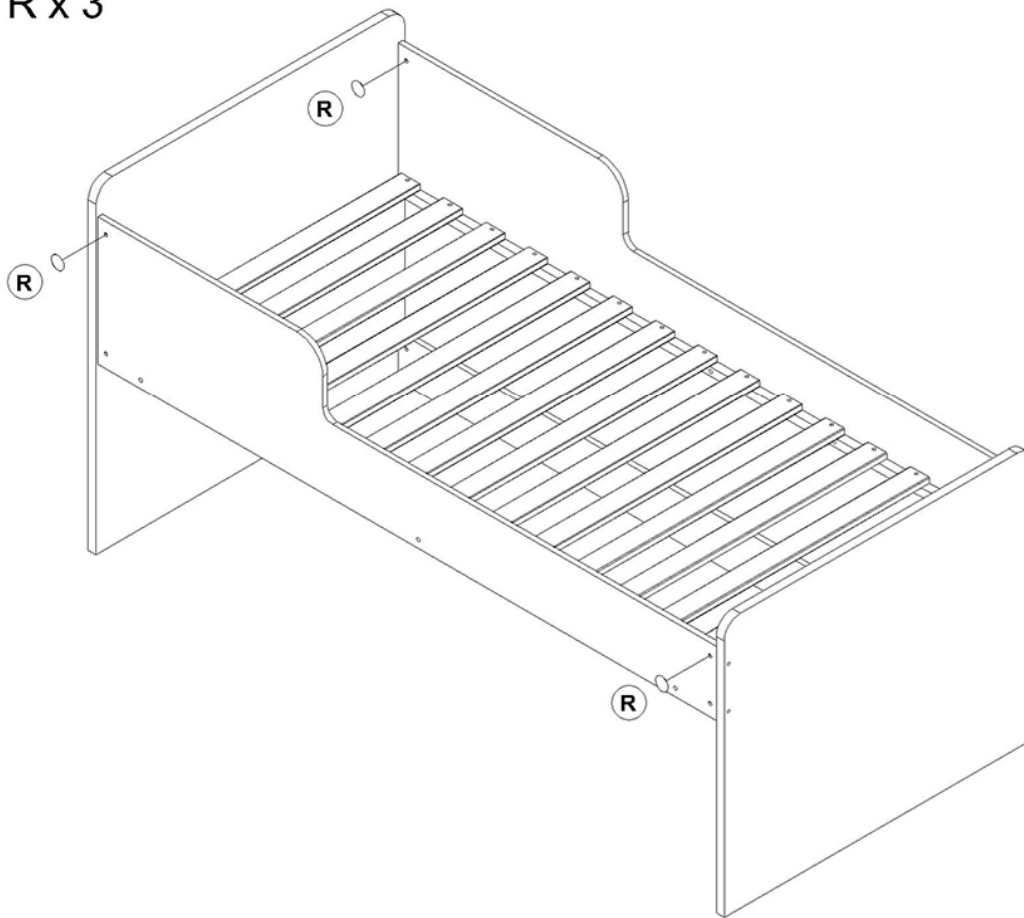
Guide To Assembly

Model : Felix Low Sleeper Bed

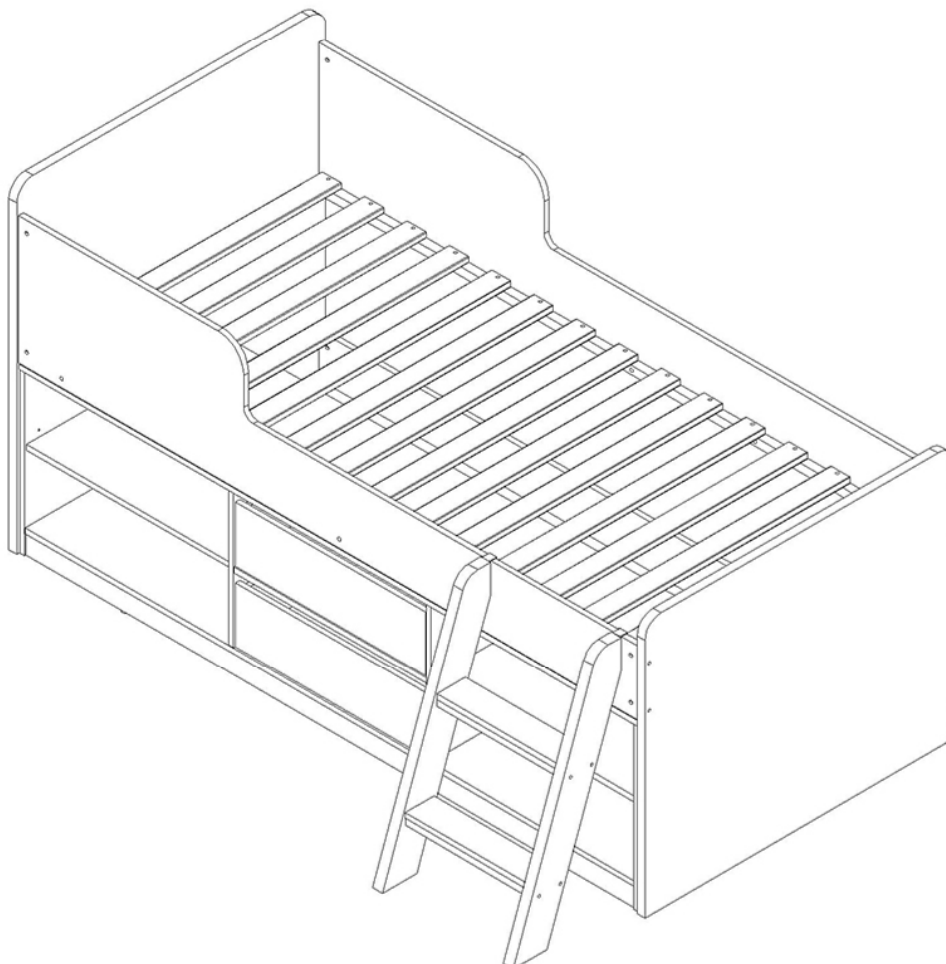
22



R x 3







23



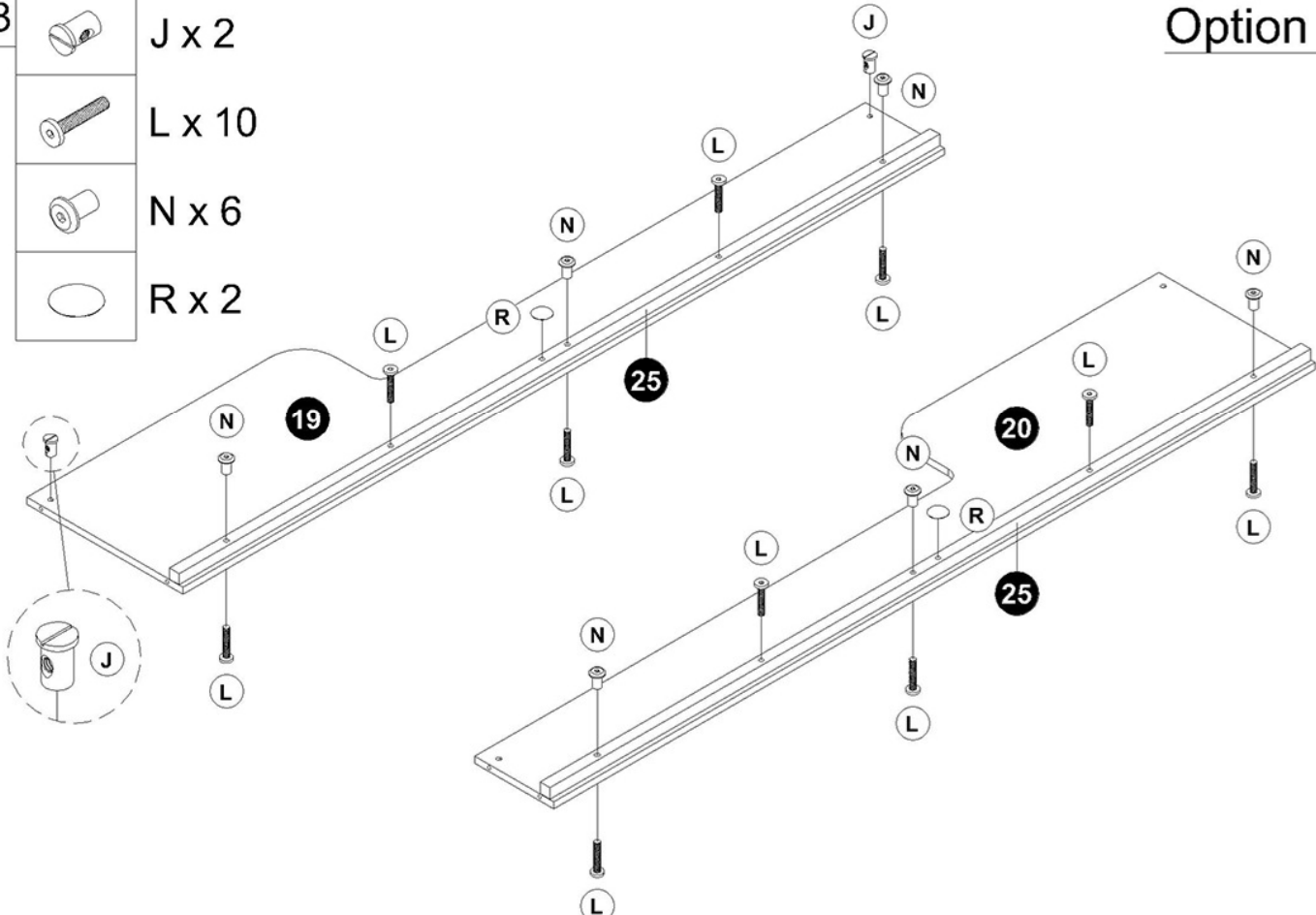
Guide To Assembly

Model : Felix Low Sleeper Bed



18

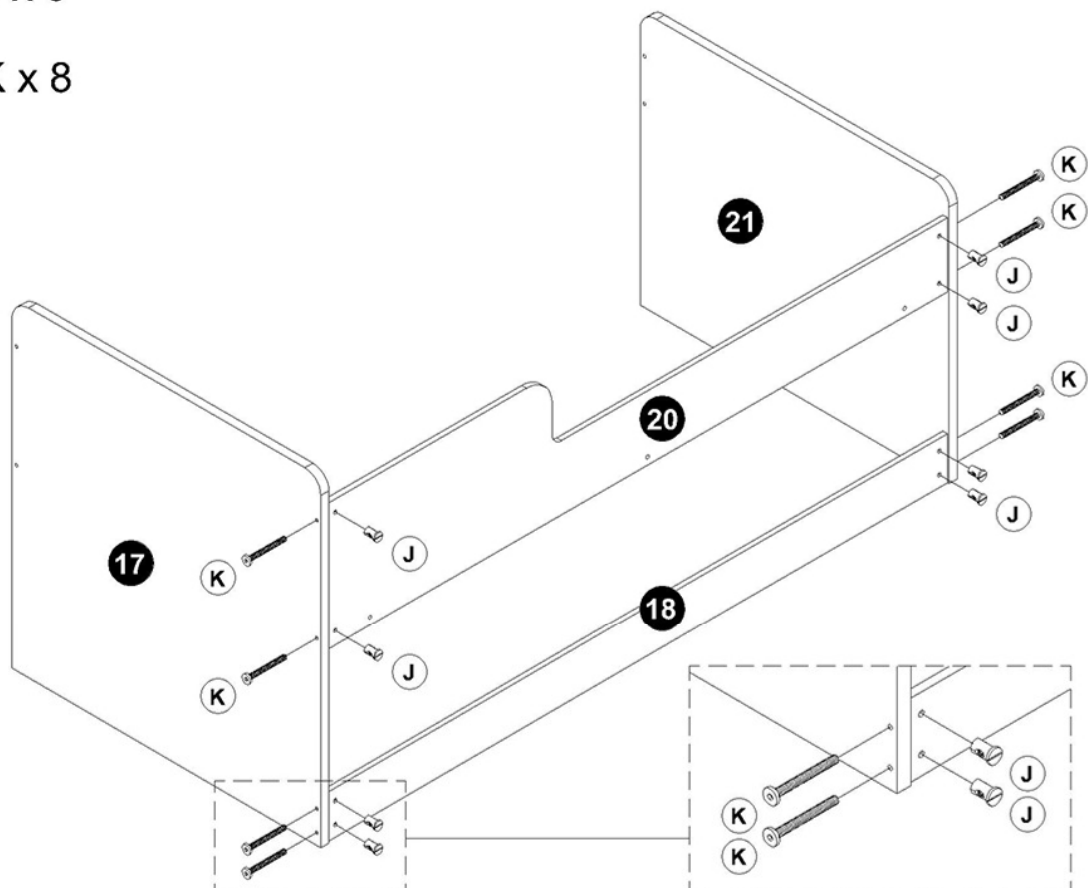
	J x 2
	L x 10
	N x 6
	R x 2

Option B





19

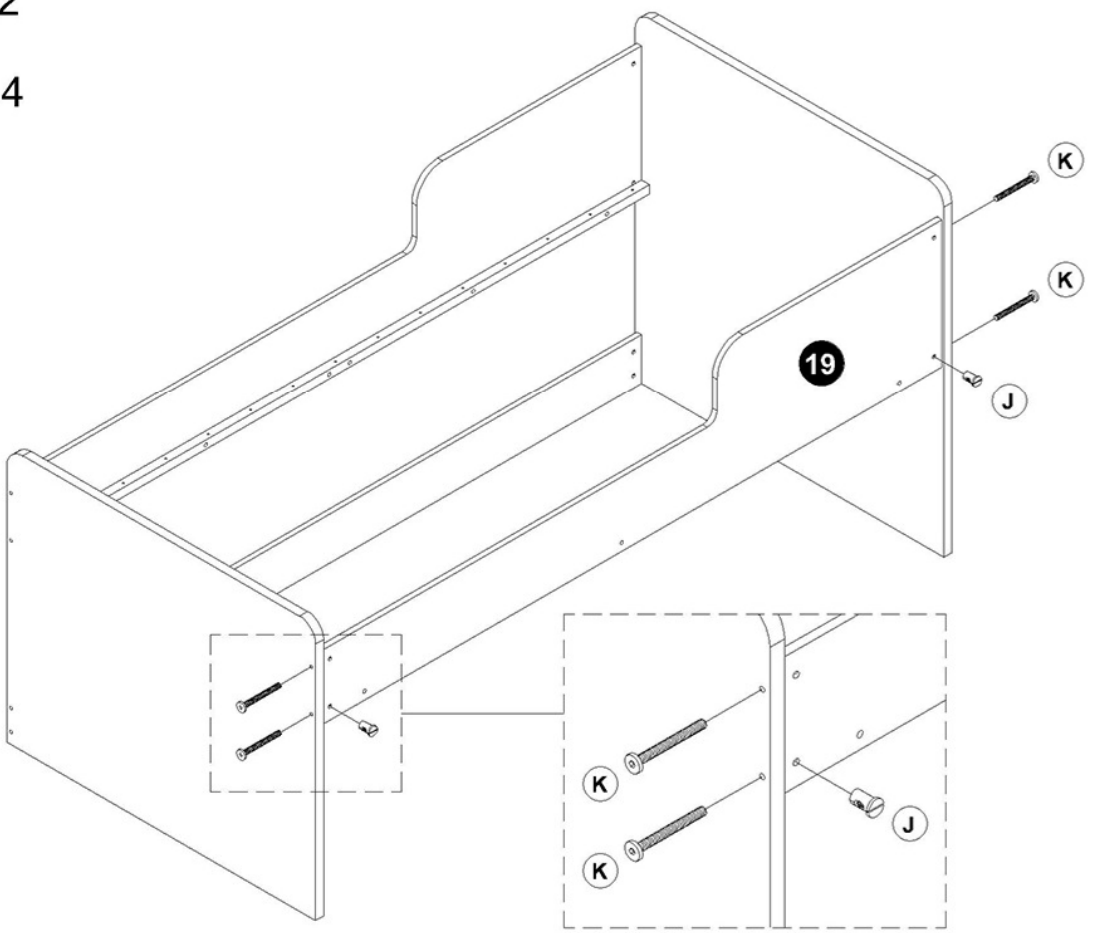
	J x 8
	K x 8



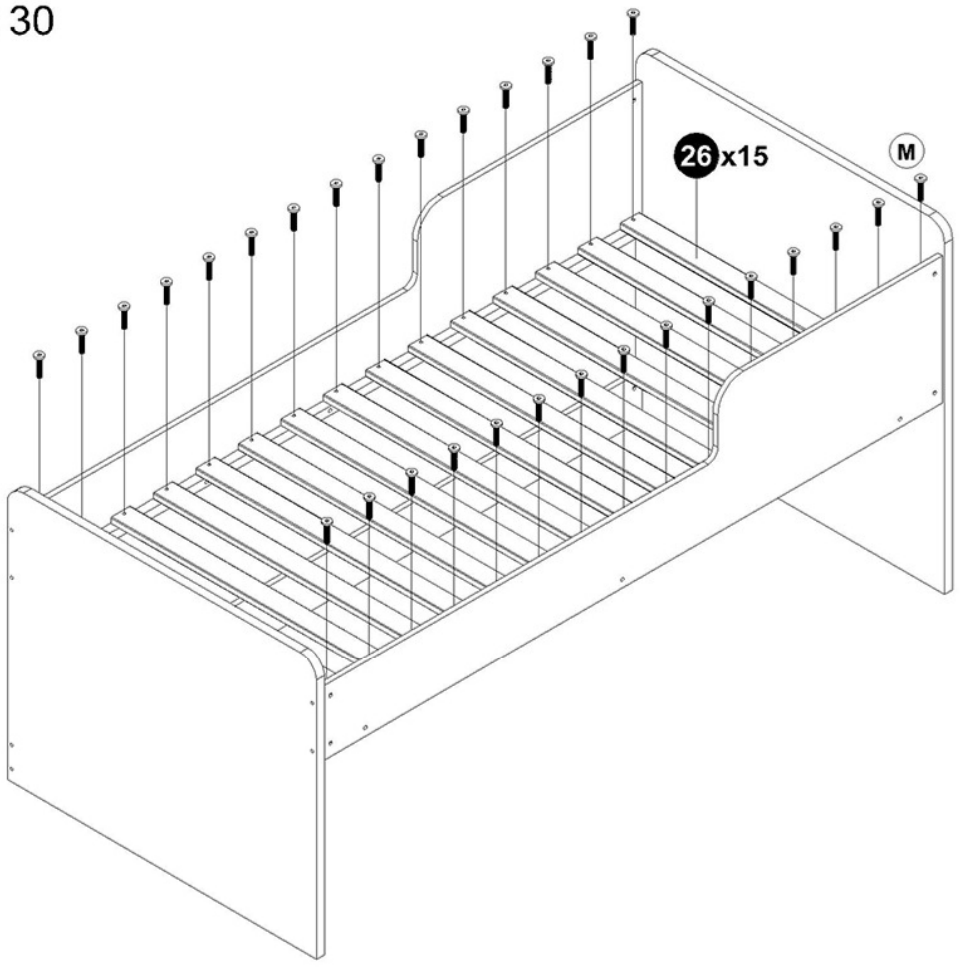
Guide To Assembly

Model : Felix Low Sleeper Bed

- 20  J x 2
-  K x 4



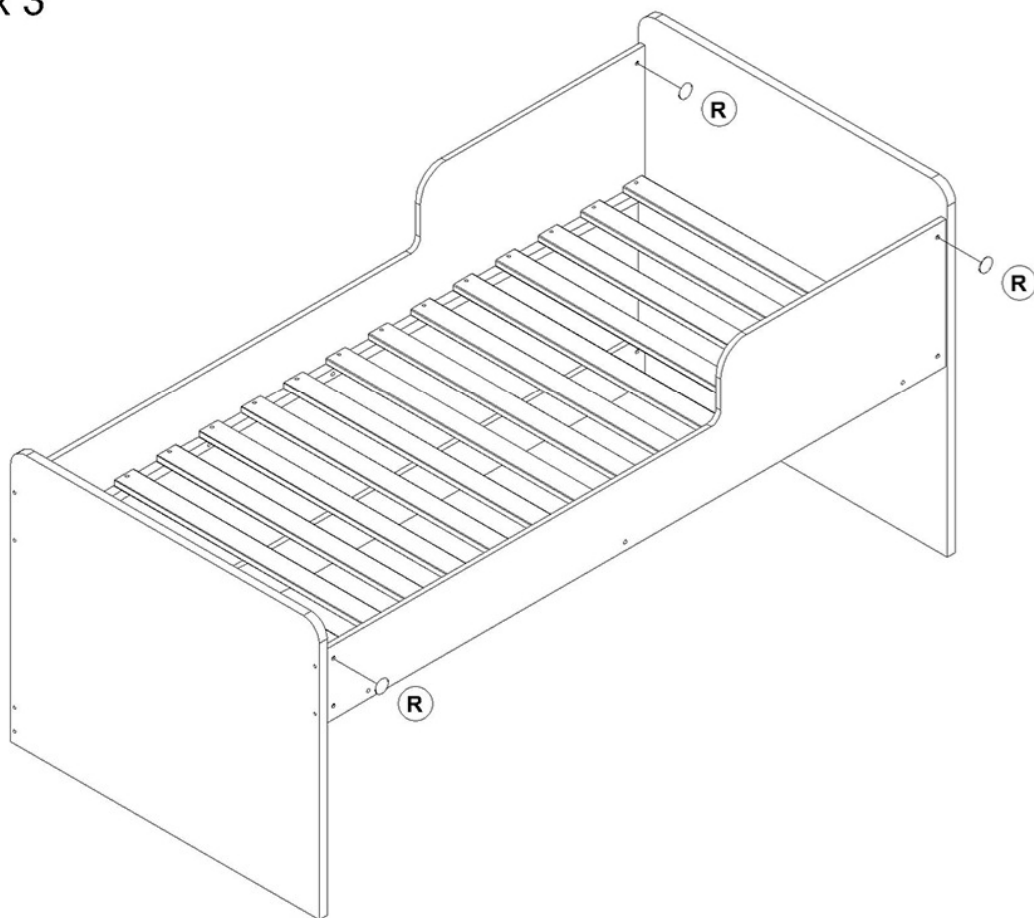
- 21  M x 30



Guide To Assembly

Model : Felix Low Sleeper Bed

22  R x 3



23

