

SILVER TANDI TRIPLE SLEEPER BUNK BED ASSEMBLY INSTRUCTIONS



100KG
TOP BUNK
MAX WEIGHT



180KG
BOTTOM BUNK
MAX WEIGHT

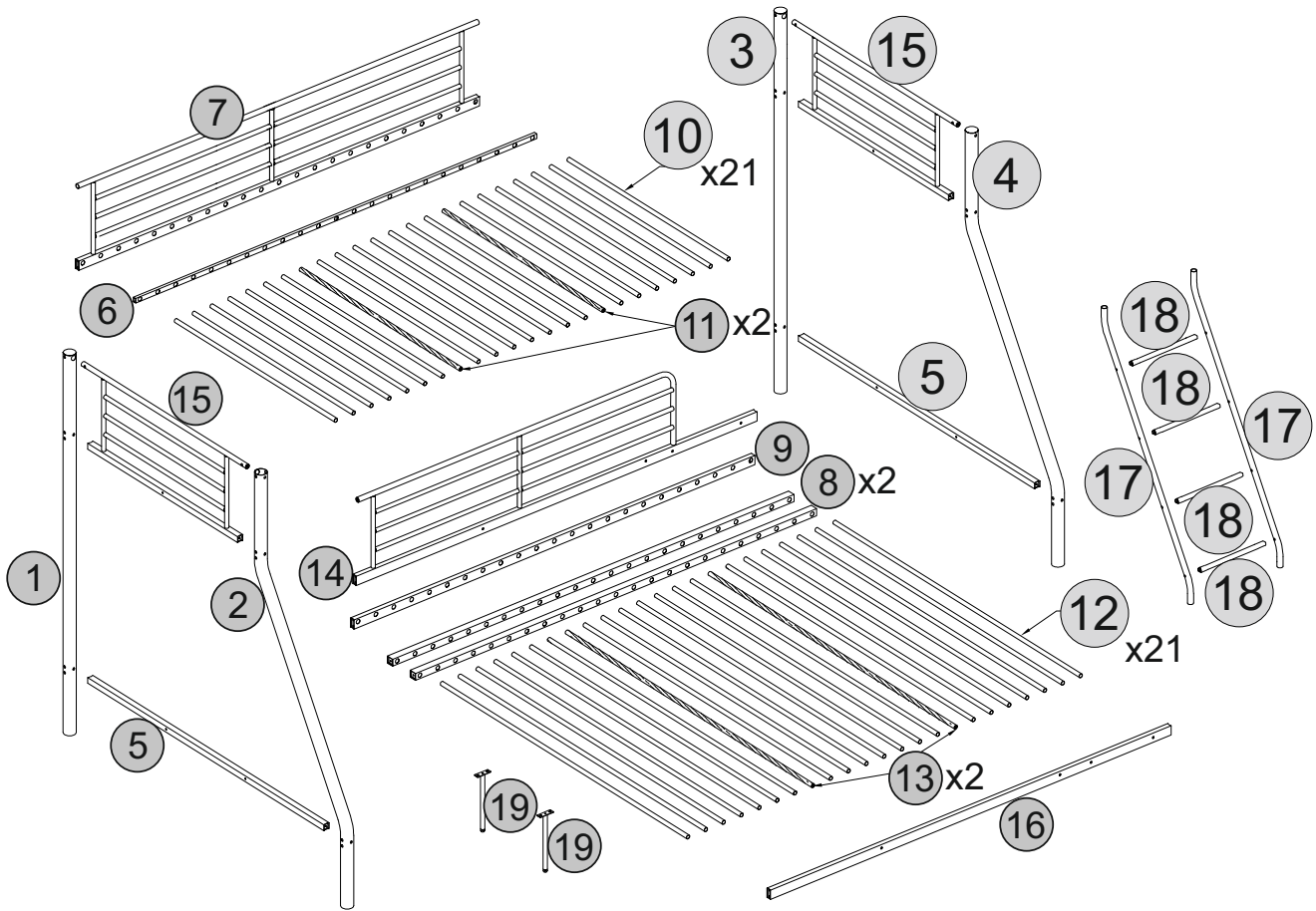


IMPORTANT
FOR DOMESTIC USE ONLY

PLEASE READ AND FOLLOW THESE INSTRUCTIONS CAREFULLY
RETAIN FOR FUTURE REFERENCE

SAFETY WARNING

- All bunk beds and high beds intended to be assembled by someone other than the manufacturer or their representative shall contain assembly instructions a list of the parts supplied and details of any tools required to assemble the bed.
- We recommend that you use the mattress at size: 1900x900x160mm.
- All assembly fastenings should always be tightened properly and that care should be taken that no fittings are loose.
- Instructions regarding positioning and connection of the means of access.
- The ladder is not for playing on, only use to climb onto the top bunk.
- We recommend only one person on the upper bunk at one time.
- Warning:-** The bunk bed or high bed should not be used if any structural part is broken or missing.
- The top of the mattress shall be at least 160mm below the upper edge of the safety barriers.
- Warning:-** Children can become trapped between the bed and the wall to avoid risk of serious injury the distance between the top safety barrier and the wall shall not exceed 75mm or shall be more than 230mm.
- Warning:** Bunk beds and high beds can present a serious risk of injury from strangulation if not used correctly. Never attach or hang items to any part of the bunk bed that are not designed to be used with the bed, for example, but not limited to ropes, strings, cords, hooks, belts and bags.
- The ventilation of the room is necessary in order to keep the humidity low and to prevent mold in and around the bed.
- The manufacturer's instruction must be always followed.
- EN 747-1&2:2012+A1:2015 TEST version.








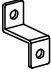


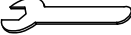


PLEASE CHECK THAT YOU HAVE ALL THE PARTS LISTED BEFORE YOU START ASSEMBLING. IF YOU DO FIND THAT SOMETHING IS MISSING, DO NOT CONTINUE ASSEMBLY. PLEASE CONTACT YOUR SUPPLIER IMMEDIATELY.

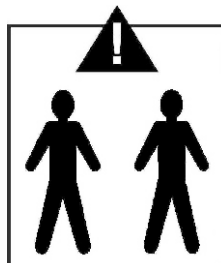
PARTS LIST

Part Number	Part Code	Part Description	Quantity	Carton
1	S200-205-015-RJ2-01	Back Left Post	1	1
2	S200-205-015-RJ2-02	Front Left Post	1	1
3	S200-205-015-RJ2-03	Back Right Post	2	1
4	S200-205-015-RJ2-04	Front Right Post	4	1
5	S200-205-015-RJ2-05	Headboard Crossbar	1	1
6	S200-205-015-RJ2-06	Top Base Centre Rail	21	1
7	S200-205-015-RJ2-07	Top Back Side/Safety Rail	2	1
8	S200-205-015-RJ2-08	Bottom Base Centre Rails	1	1
9	S200-205-015-RJ2-09	Bottom Base Siderail	1	1
10	S200-205-015-RJ2-10	Top Bunk Slats	1	1
11	S200-205-015-RJ2-11	Top Bunk Fixed Slats	2	1
12	S200-205-015-RJ2-12	Bottom Bunk Slats	4	1
13	S200-205-015-RJ2-13	Bottom Bunk Fixed Slats	1	1
14	S200-205-015-RJ2-14	Front Safety Rail	21	1
15	S200-205-015-RJ2-15	Headboard Frame	2	1
16	S200-205-015-RJ2-16	Bottom Front Siderail	1	1
17	S200-205-015-RJ2-17	Ladder Side	21	1
18	S200-205-015-RJ2-18	Ladder Steps	2	1
19	S200-205-015-RJ2-19	Centre Support Legs	1	1

HARDWARE LIST

REF		HARDWARE NAME	QTY
A		M6 x 15mm Bolt	8PCS
B		M6 x 20mm Bolt	8PCS
C		M6 x 40mm Bolt	10PCS
D		M6 x 45mm Bolt	4PCS
E		M6 x 70mm Bolt	27PCS
F		1.5 x 18(Ø6.5) Washer	39PCS
G		M6 x 50mm Bolt	4PC
H		Anti-Tip	2PCS
I		Nut M6	4PCS
J		Allen Key M4	1PC
K		Spanner	1PC

PLEASE CHECK THAT YOU HAVE ALL THE PARTS LISTED BEFORE YOU START ASSEMBLING. IF YOU DO FIND THAT SOMETHING IS MISSING, DO NOT CONTINUE ASSEMBLY. PLEASE CONTACT YOUR SUPPLIER IMMEDIATELY.






TWO PEOPLE ARE NEEDED TO ASSEMBLE THIS BUNK BED.

STEP 1

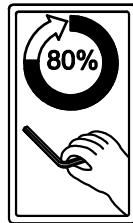
PARTS REQUIRED

1 - BACK LEFT POST	x1
2 - FRONT LEFT POST	x1
5 - HEADBOARD CROSSBAR	x1
15 - HEADBOARD FRAME	x1

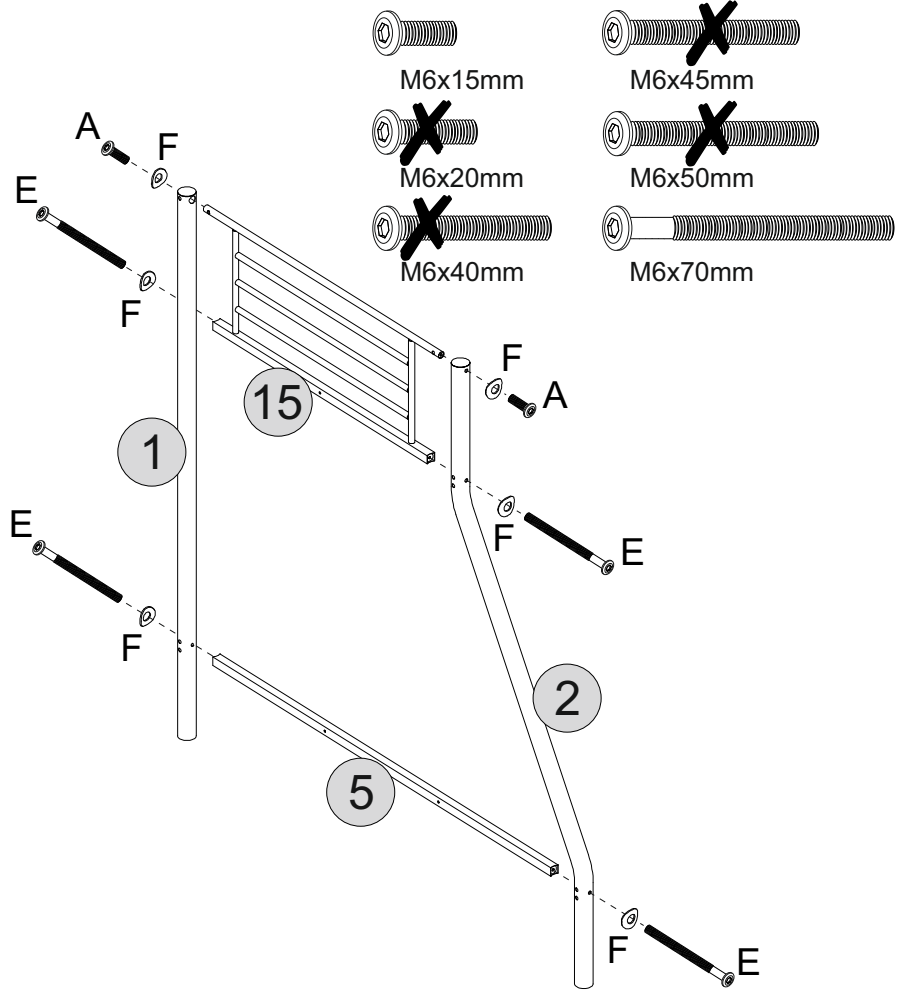
HARDWARE REQUIRED

A		02
E		04
F		06

TOOLS REQUIRED



DO NOT FULLY TIGHTEN THE BOLTS AT THIS STAGE !!






STEP 2

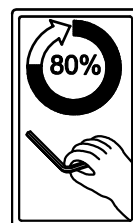
PARTS REQUIRED

3 - RIGHT BACK POST	x1
4 - FRONT RIGHT POST	x1
5 - HEADBOARD CROSSBAR	x1
15 - HEADBOARD FRAME	x1

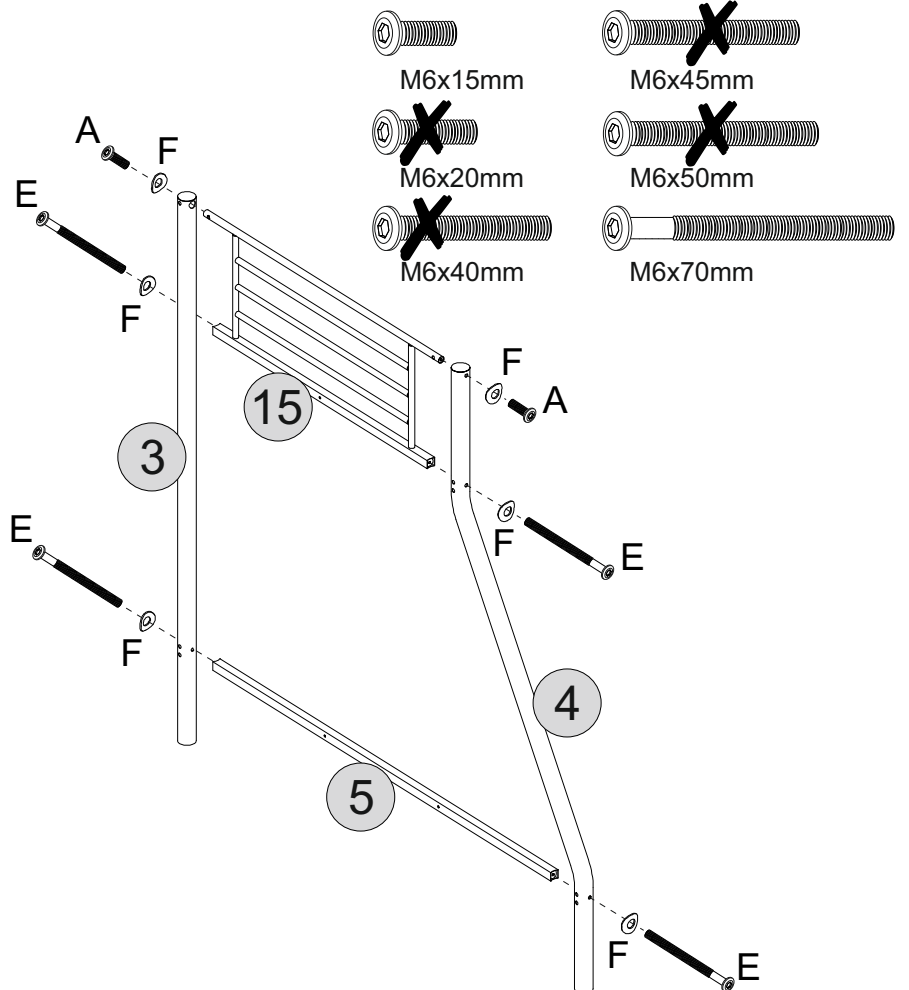
HARDWARE REQUIRED

A		02
E		04
F		06

TOOLS REQUIRED



DO NOT FULLY TIGHTEN THE BOLTS AT THIS STAGE !!



STEP 3

PARTS REQUIRED

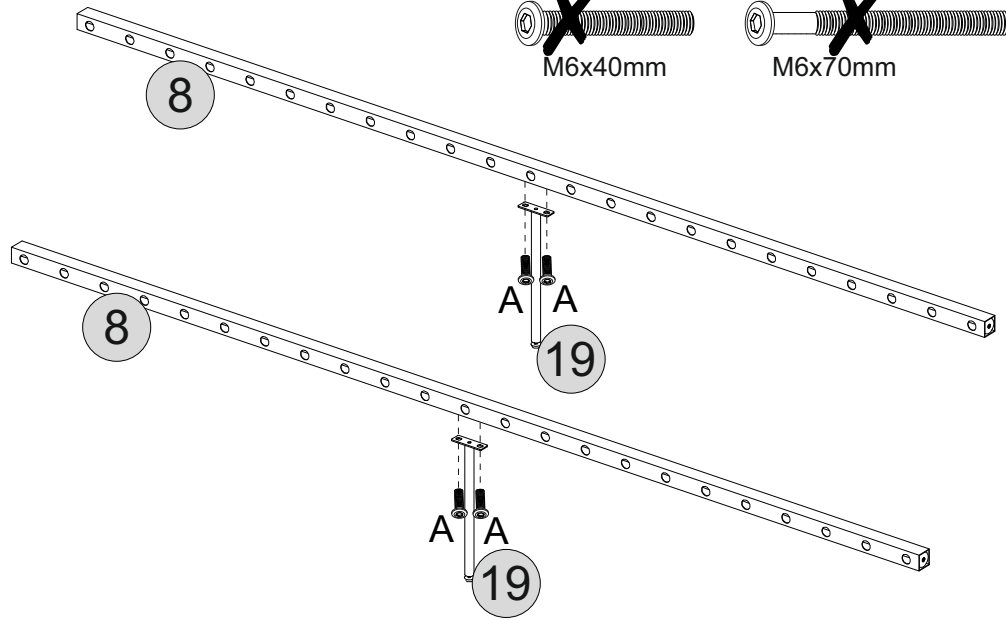
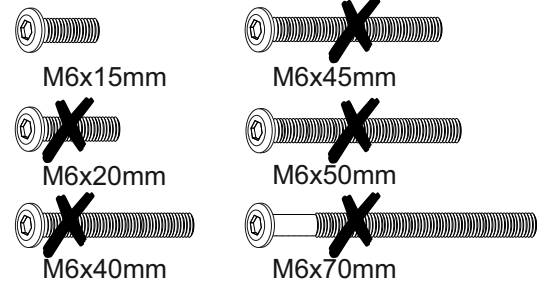
8 - BOTTOM BASE CENTRE RAIL x2

19- CENTRE SUPPORT LEGS x2

HARDWARE REQUIRED

A  02

TOOLS REQUIRED

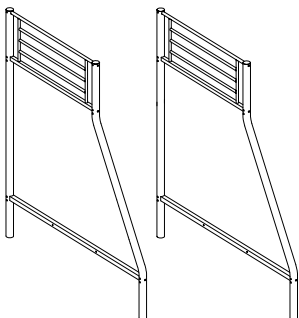


STEP 4


PARTS REQUIRED

7 - TOP BACK SIDE/SAFETY RAIL x1

9 - BOTTOM BACK SIDERAIL x1

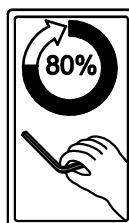
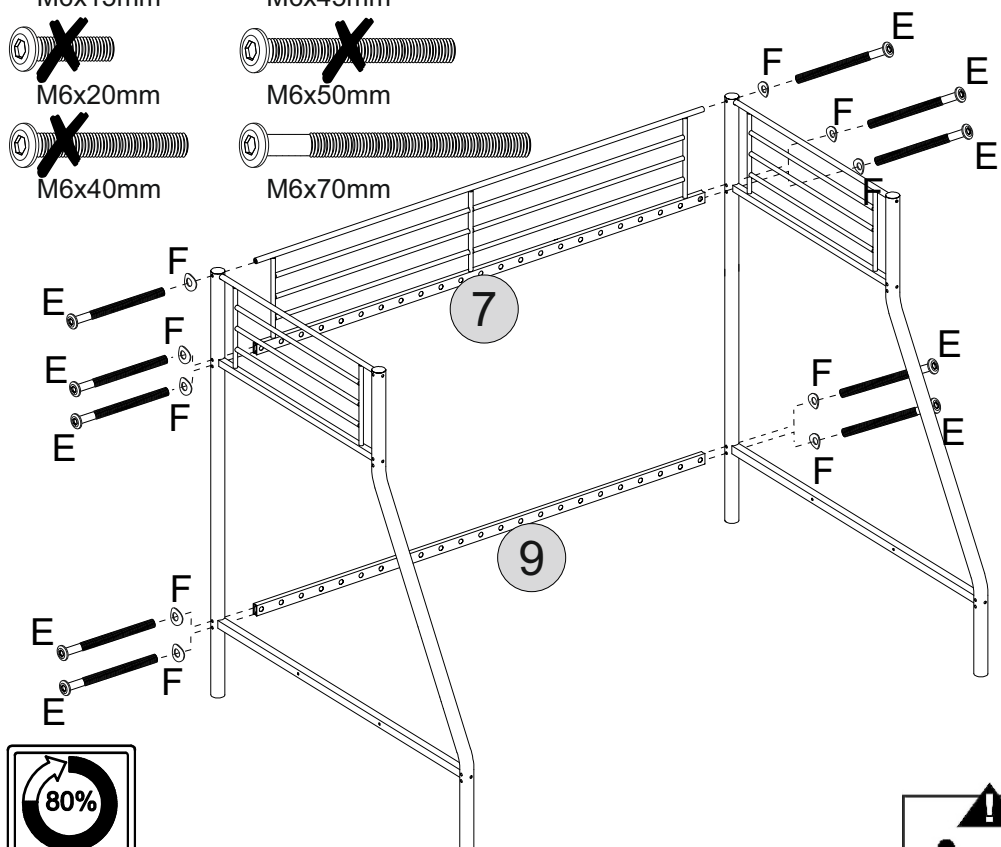
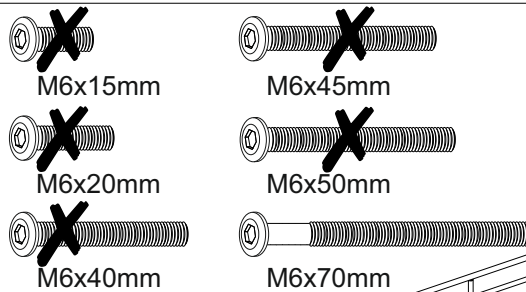


HARDWARE REQUIRED

E  10

F  10

TOOLS REQUIRED



DO NOT FULLY TIGHTEN THE BOLTS AT THIS STAGE !!

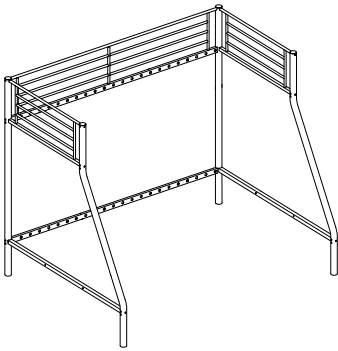


STEP 5

PARTS REQUIRED

6 - TOP BASE CENTRE RAIL x1

8 - BOTTOM BASE CENTRE RAIL x2



HARDWARE REQUIRED

C  02

D  04

TOOLS REQUIRED



M6x15mm



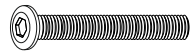
M6x45mm



M6x20mm



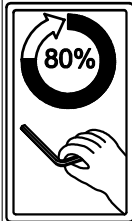
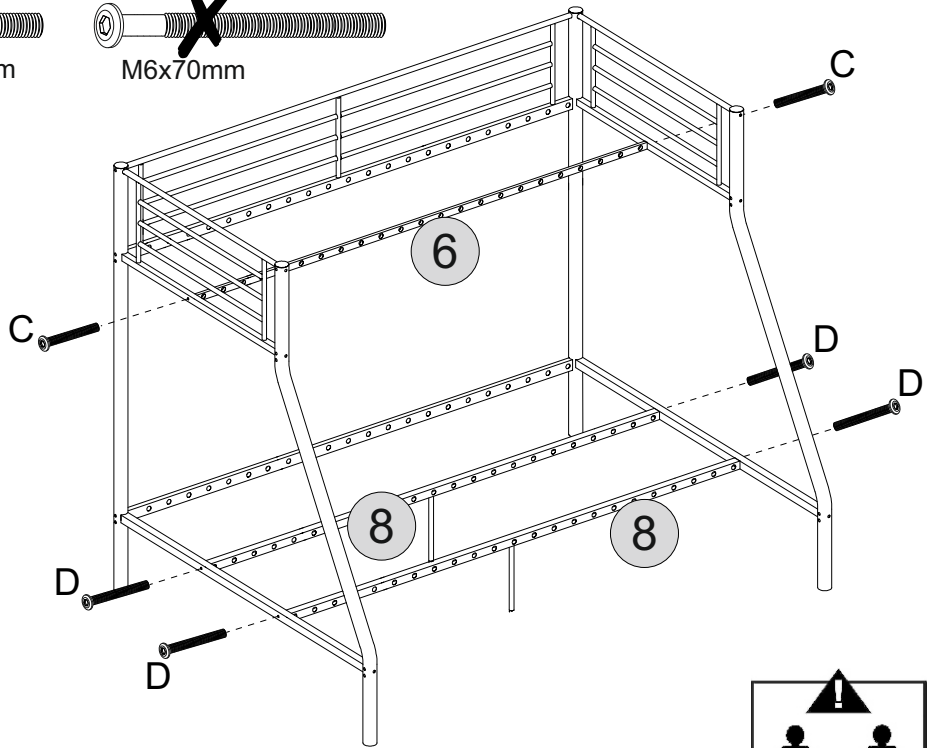
M6x50mm



M6x40mm



M6x70mm



DO NOT FULLY TIGHTEN THE BOLTS AT THIS STAGE !!



STEP 6

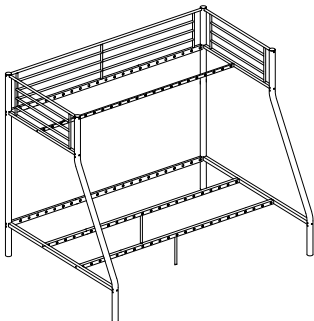
PARTS REQUIRED

10 - TOP BUNK SLATS x21

11 - TOP BUNK FIXED SLATS x2


12 - BOTTOM BUNK SLATS x21

13 - BOTTOM BUNK FIXED SLATS x2



HARDWARE REQUIRED

B  04

H  02

TOOLS REQUIRED



M6x15mm



M6x45mm



M6x20mm



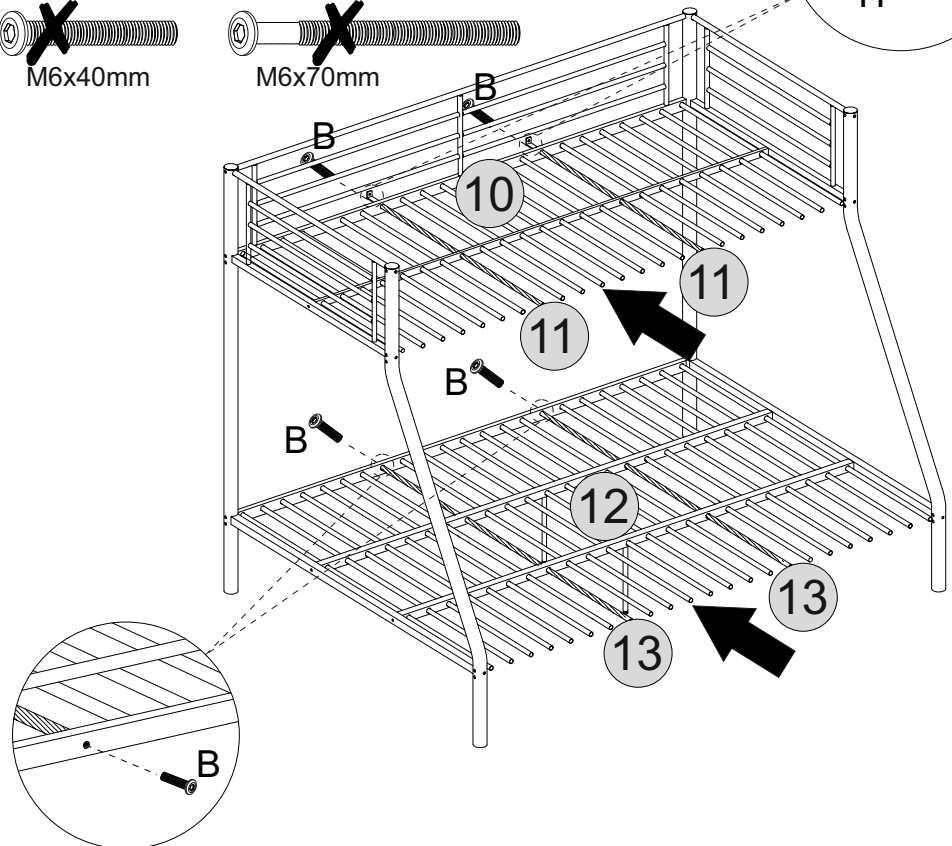
M6x50mm



M6x40mm



M6x70mm

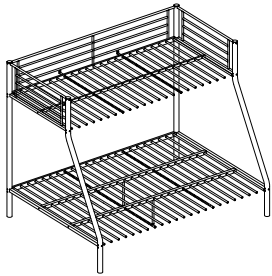


STEP 7

PARTS REQUIRED

14 - FRONT SAFETY RAIL x1

16 - BOTTOM FRONT SIDERAIL x1



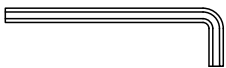
HARDWARE REQUIRED

B  04

E  08

F  08

TOOLS REQUIRED



~~M6x15mm~~

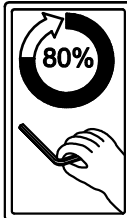
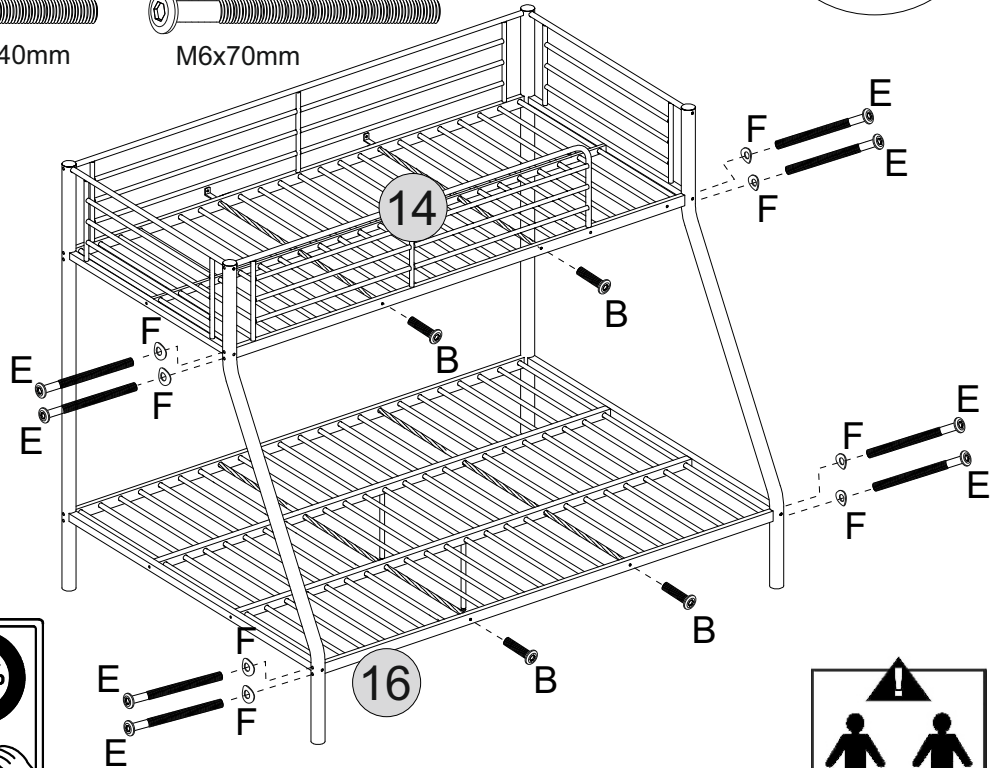
~~M6x45mm~~

M6x20mm

~~M6x50mm~~

~~M6x40mm~~

M6x70mm



DO NOT FULLY TIGHTEN THE BOLTS AT THIS STAGE !!



STEP 8

PARTS REQUIRED

17 - LADDER SIDE x2

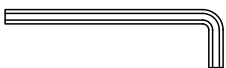
18 - LADDER STEPS x4

HARDWARE REQUIRED

C  08

F  08

TOOLS REQUIRED



~~M6x15mm~~

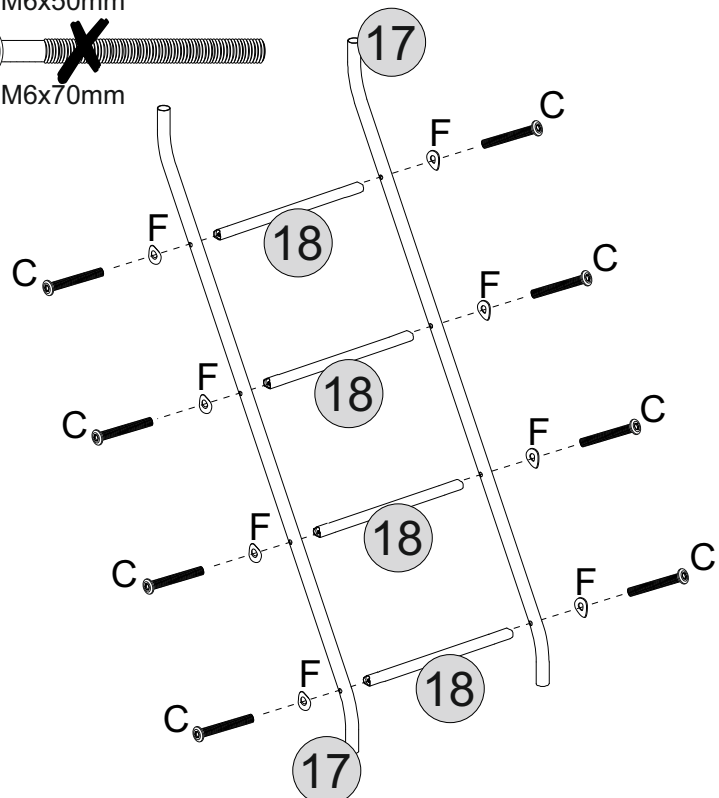
~~M6x45mm~~

~~M6x20mm~~

~~M6x50mm~~

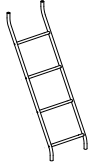
M6x40mm

~~M6x70mm~~

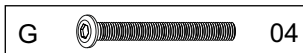


STEP 9

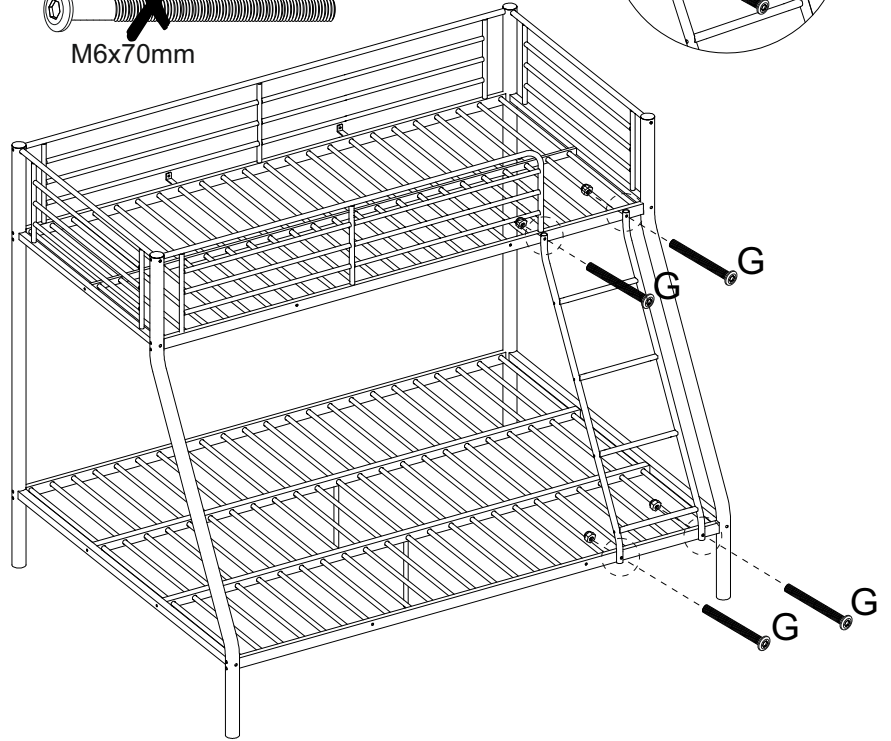
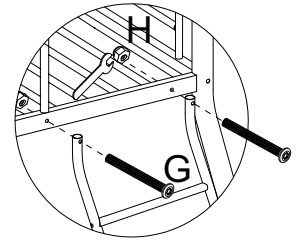
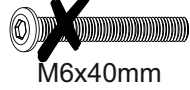
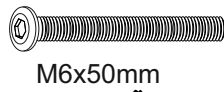
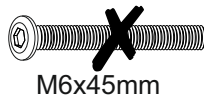
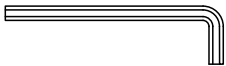
PARTS REQUIRED



HARDWARE REQUIRED



TOOLS REQUIRED

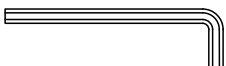


STEP 10

PARTS REQUIRED

HARDWARE REQUIRED

TOOLS REQUIRED



**TOP BUNK
MAX WEIGHT**



**BOTTOM BUNK
MAX WEIGHT**



NOW FULLY TIGHTEN ALL BOLTS !!

WARNING

Serious or fatal injuries can occur from furniture tipping over. To prevent the furniture from tipping over we recommend that it is permanently fixed to the wall.

Wall fixings are not supplied with this product as different wall materials require different types of fixing devices.

Please make sure you use fixings suitable for the walls in your home.

