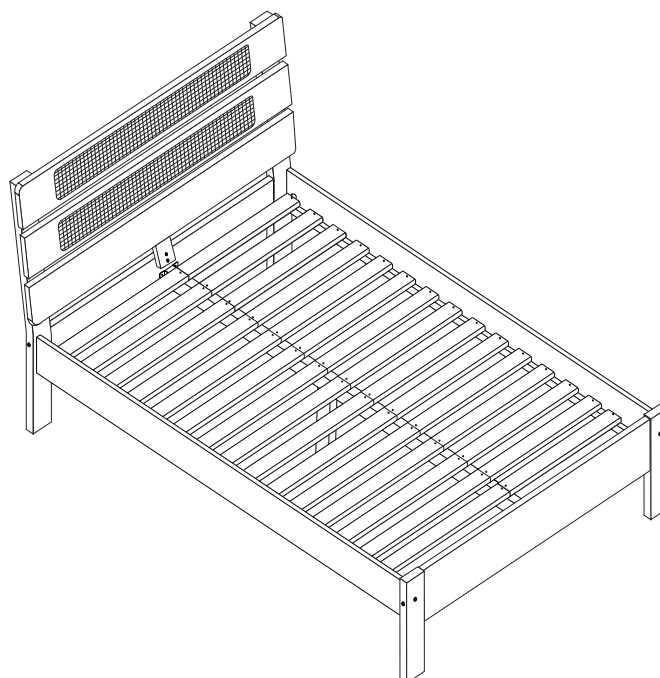


LIGHT OAK RATTAN EFFECT SANTANA 5'0 BED ASSEMBLY INSTRUCTIONS

56359



**MAX BED
WEIGHT**



FOR DOMESTIC USE ONLY

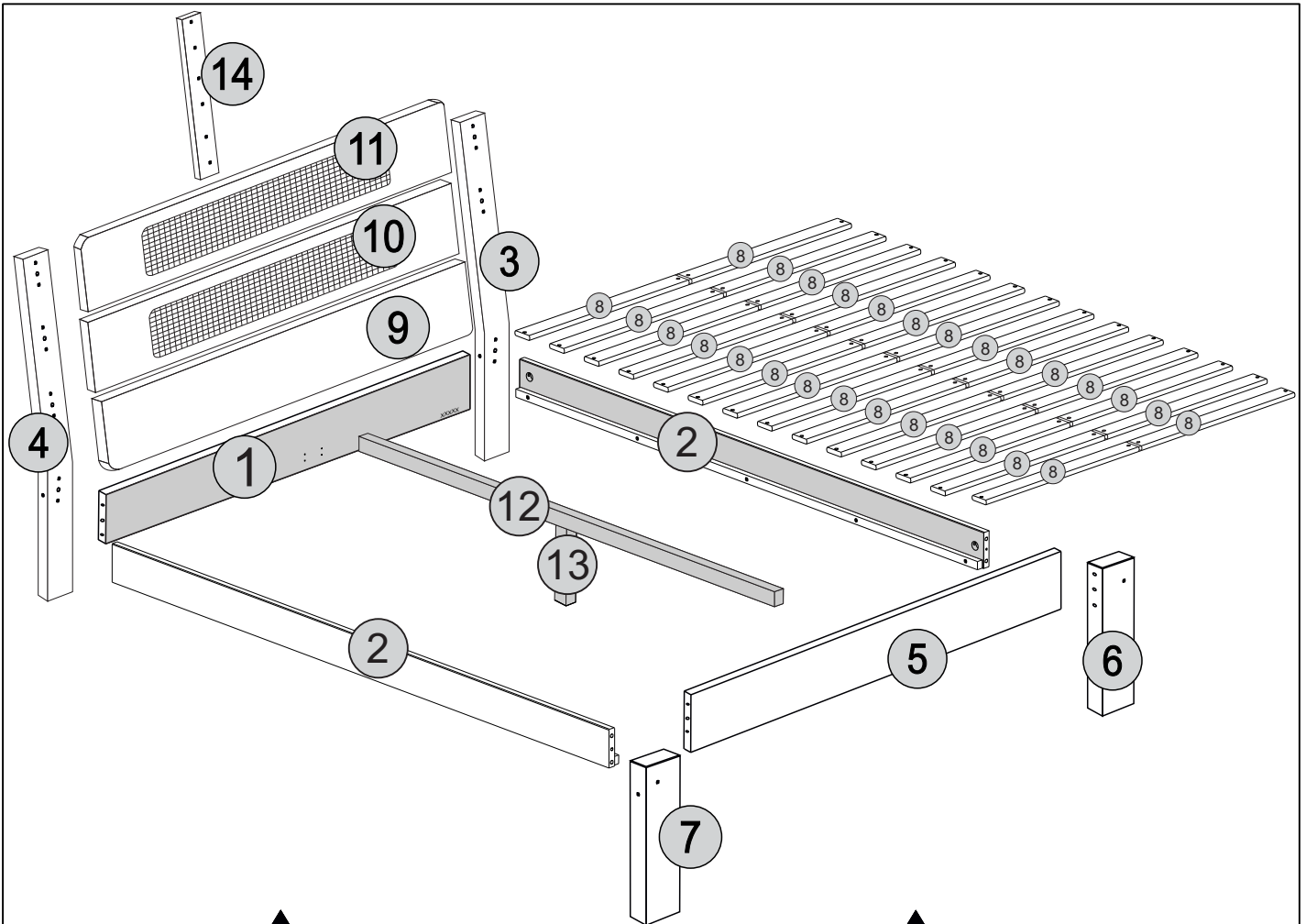
IMPORTANT

PLEASE READ BEFORE YOU CONTINUE FURTHER

CARE AND MAINTENANCE

After unpacking this product please keep the original packaging in case it needs to be returned for any reason.

- Please ensure all fittings and parts are present before commencing with assembly.
- We recommend that you lay a blanket or sheet on the floor to avoid damage to both your floor and the product.
- We strongly recommend that you keep children away from your work area.
- Assemble this product as close to its final position as possible.
- Never drag or push products as this could cause damage to the joints making it inferior.
- Do not place this product next to a radiator or in direct sunlight.
- Wood is a natural product and may expand if subjected to damp and may shrink or crack if subjected to heat. Therefore it is recommended that room temperature is maintained, with no sudden temperature fluctuations.
- Make sure any spillage is wiped off immediately.
- Do not place hot or chilled items directly on to the surface, use a place mat or marking will occur.
- For general cleaning use a duster, and do not use detergents of any kind. However, the surface will need to be retreated from time to time. This can be done by using block wax (unperfumed) and rubbing it over the whole item.
- From time to time it may be necessary to tighten fittings, regular inspections should be carried out.



* Use of power tools to assemble this product will invalidate any claim and damage this product making it unsafe !!!
 * Please assemble on a clean soft surface to avoid damage.

* Please check contents and read the instructions before commencing assembly.
 * Assemble this product following the enclosed instructions carefully.
 * Please take care to avoid damaging panels during assembly.



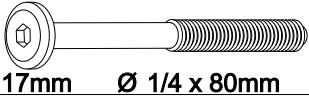


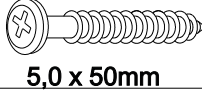
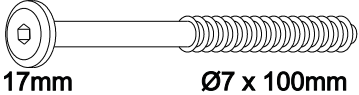
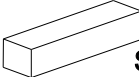
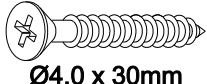

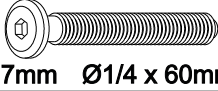
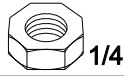
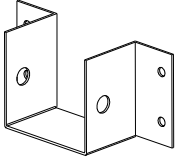
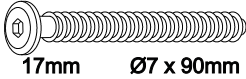

PARTS LIST

Please Note:

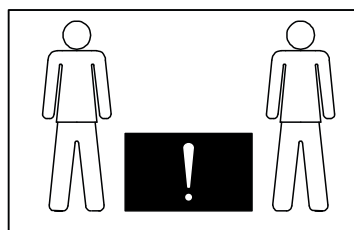
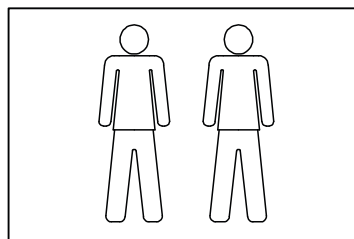
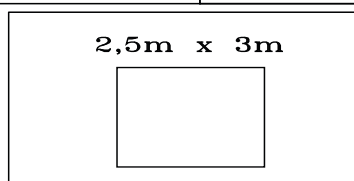
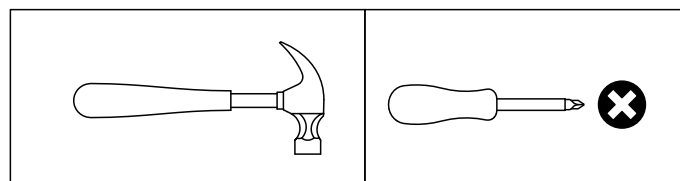
The below parts have all been stamped with the part number/color to help identify them during assembly.

Part Number	Part Code	Part Description	Quantity	Carton
1	S200-204-051-DC1-01	Headboard Panel	1	1/2
2	S200-204-051-DC1-02	Siderail	2	1/2
3	S200-204-051-DC1-03	Headboard Right Post (Natural)	1	1/2
4	S200-204-051-DC1-04	Headboard Left Post (Green)	1	1/2
5	S200-204-051-DC1-05	Footboard Panel	1	1/2
6	S200-204-051-DC1-06	Footboard Right Post	1	1/2
7	S200-204-051-DC1-07	Footboard Left Post (Green)	1	1/2
8	S200-204-051-DC1-08	Slats	28	2/2
9	S200-204-051-DC1-09	Lower Headboard Panel	1	1/2
10	S200-204-051-DC1-10	Centre Headboard Panel	1	1/2
11	S200-204-051-DC1-11	Top Headboard Panel	1	1/2
12	S200-204-051-DC1-12	Centre Rail	1	1/2
13	S200-204-051-DC1-13	Centre Support Leg	1	1/2
14	S200-204-051-DC1-14	Support Headboard	1	1/2

FITTINGS

A	 Ø8 x 50mm	16	H		01
B	 17mm Ø 1/4 x 80mm	04	I	 Ø8 x 20mm	08
C	 1/4	04	J	 5,0 x 50mm	12
D	 17mm Ø7 x 100mm	04	K	 SPACER	02
E	 Ø4,0 x 30mm	58	L	 Ø3,5 x 25mm	04
F	 17mm Ø1/4 x 60mm	02	M	 1/4	02
G		02	N	 17mm Ø7 x 90mm	01
			O	 Ø4,0 x 16mm	08

TOOLS REQUIRED




STEP 1

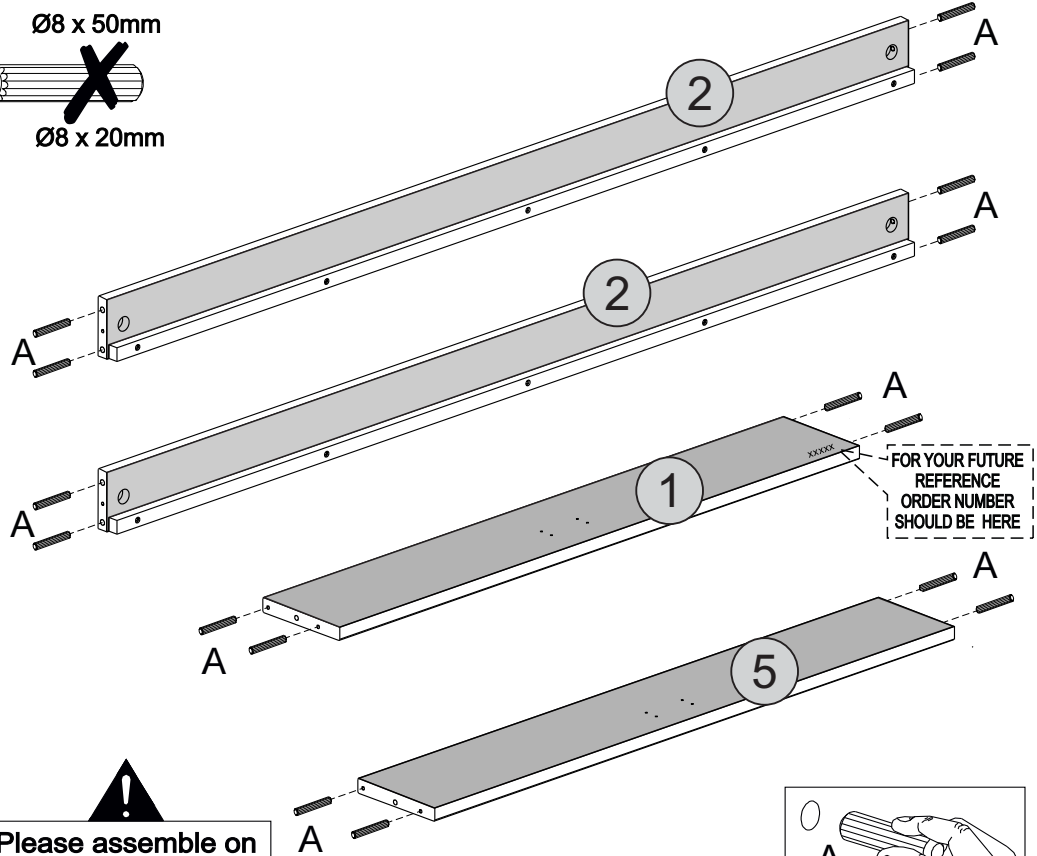
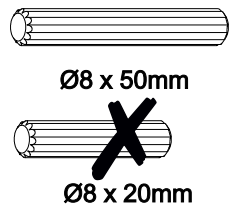
PARTS REQUIRED

1 - HEADBOARD PANEL	x1
2 - SIDERAIL	x2
5 - FOOTBOARD PANEL	x1

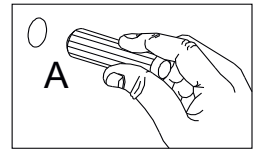
HARDWARE REQUIRED

A		16
<small>Ø8 x 50mm</small>		

TOOLS REQUIRED



Please assemble on a clean soft surface to avoid damage.

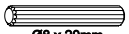


STEP 2

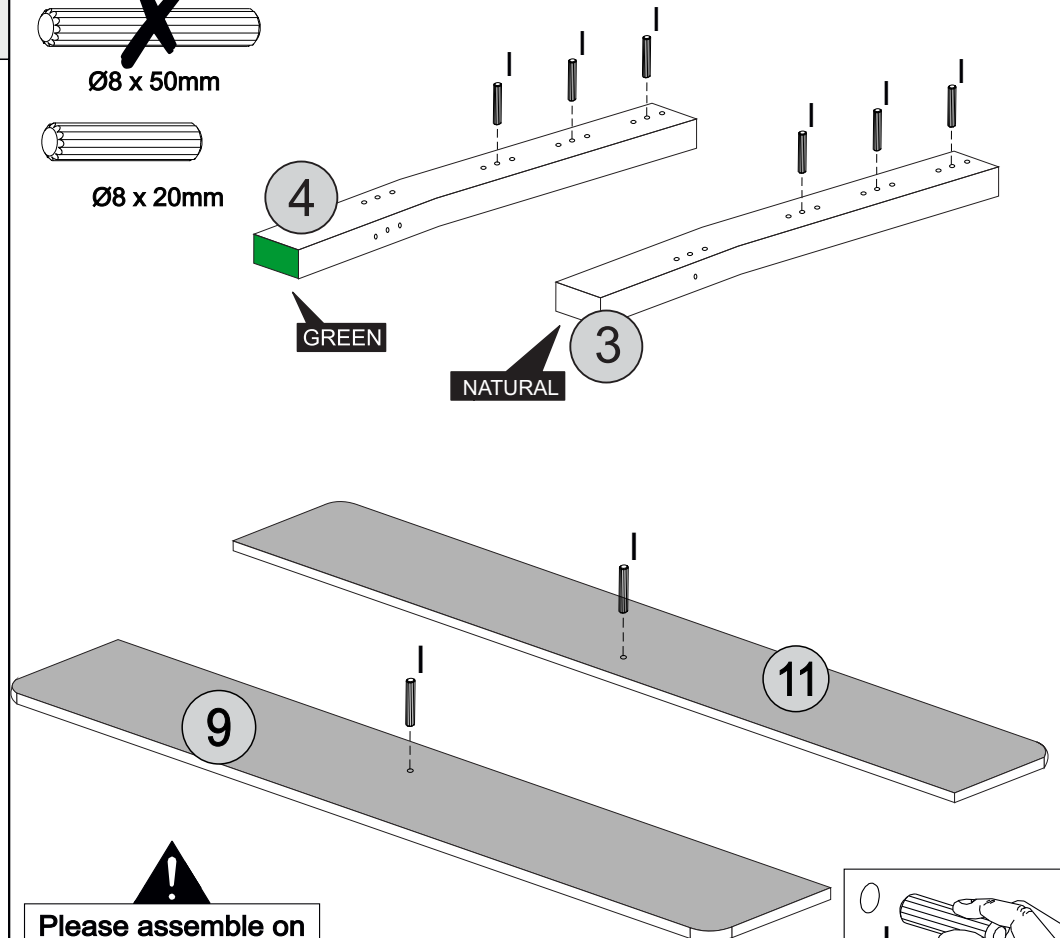
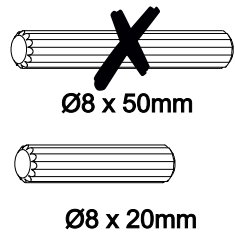
PARTS REQUIRED

3 - HEADBOARD RIGHT POST (NATURAL)	x1
4 - HEADBOARD LEFT POST (GREEN)	x1
9 - LOWER HEADBOARD PANEL	x1
11 - HEAD & FOOTBOARD TOP PANEL	x1

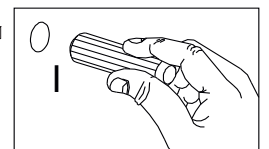
HARDWARE REQUIRED

I		08
<small>Ø8 x 20mm</small>		

TOOLS REQUIRED



Please assemble on a clean soft surface to avoid damage.

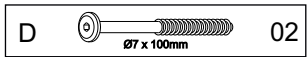


STEP 3

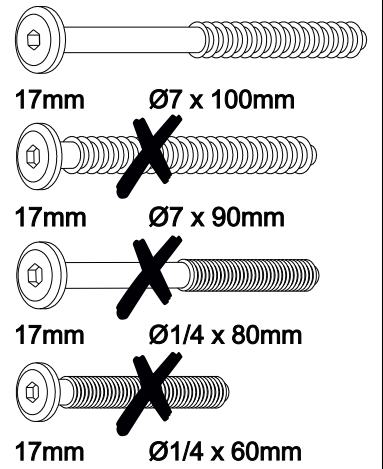
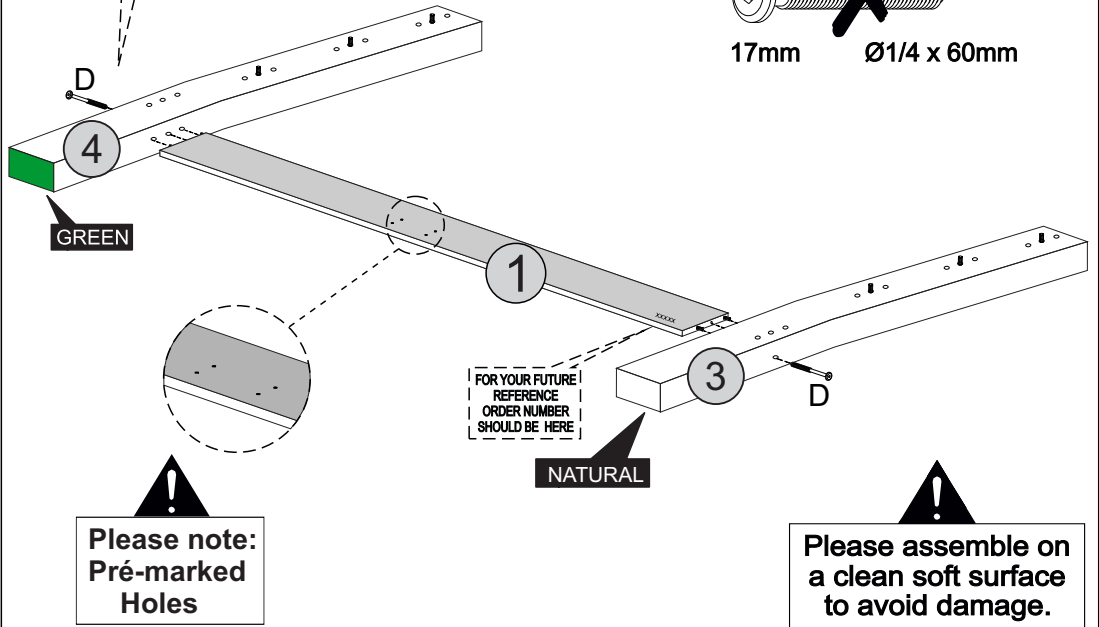
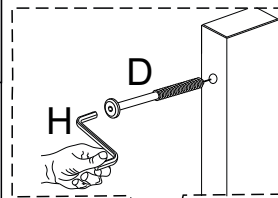
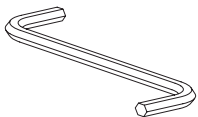
PARTS REQUIRED

- 1 - HEADBOARD PANEL x1
- 3 - HEADBOARD RIGHT POST (NATURAL) x1
- 4 - HEADBOARD LEFT POST (GREEN) x1

HARDWARE REQUIRED



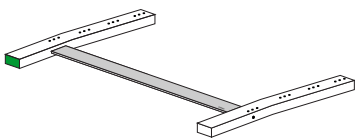
TOOLS REQUIRED



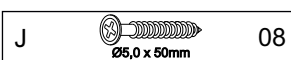
STEP 4

PARTS REQUIRED

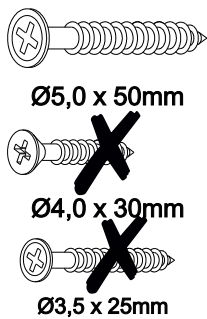
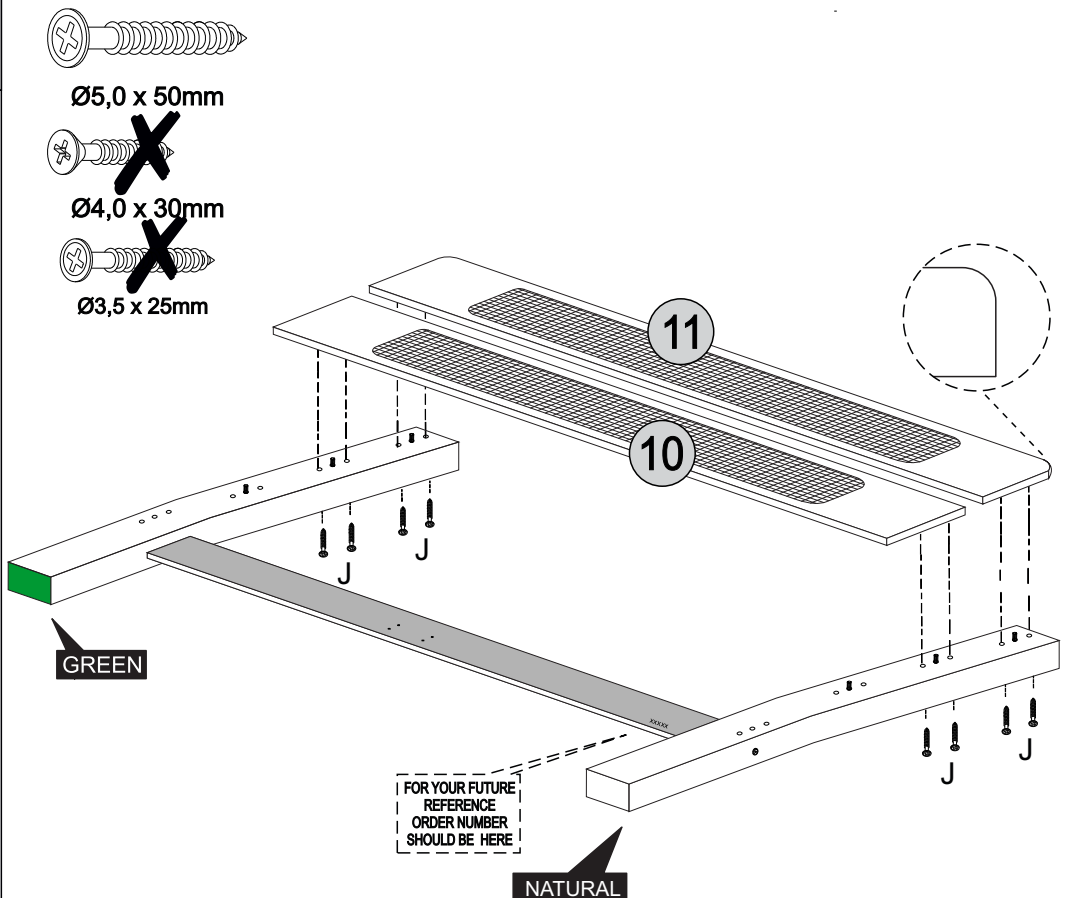
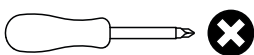
- 10 - CENTRE HEADBOARD PANEL x1
- 11 - TOP HEADBOARD PANEL x1



HARDWARE REQUIRED



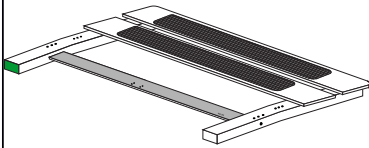
TOOLS REQUIRED




STEP 5

PARTS REQUIRED

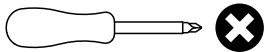
9 - LOWER HEADBOARD PANEL x1



HARDWARE REQUIRED

J  04
Ø5,0 x 50mm

TOOLS REQUIRED



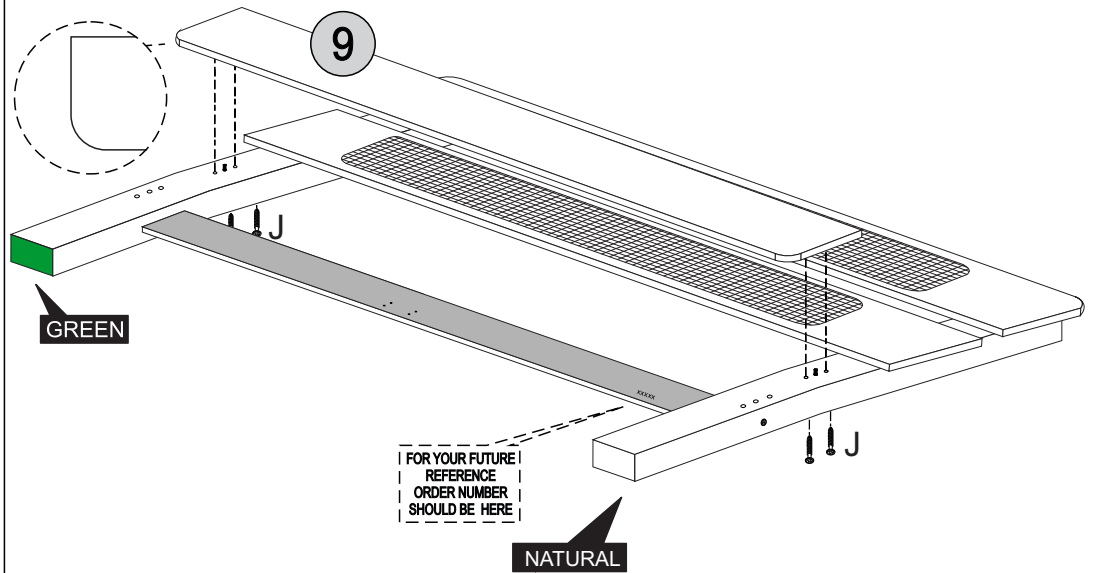
~~Ø5,0 x 50mm~~



~~Ø4,0 x 30mm~~



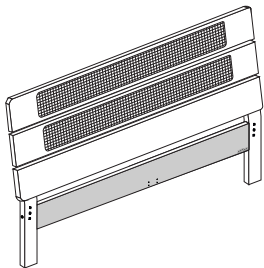
~~Ø3,5 x 25mm~~




STEP 6

PARTS REQUIRED

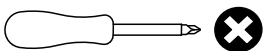
14 - SUPPORT HEADBOARD x1



HARDWARE REQUIRED

L  4
Ø3,5 x 25mm

TOOLS REQUIRED



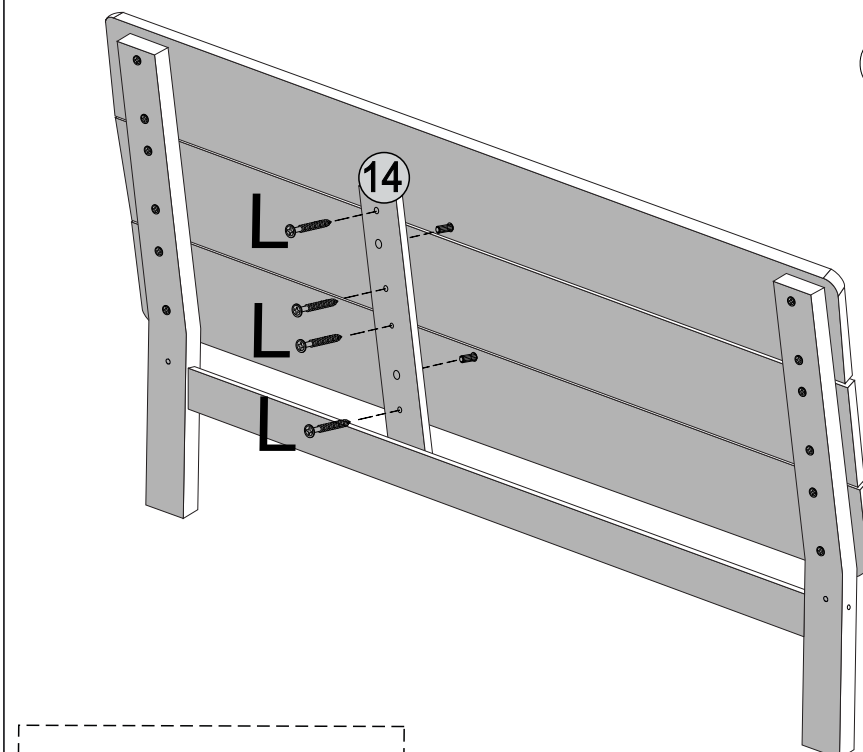
~~Ø5,0 x 50mm~~



~~Ø4,0 x 30mm~~

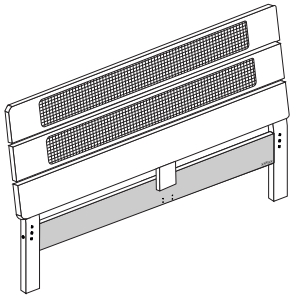


~~Ø3,5 x 25mm~~

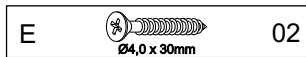


STEP 7

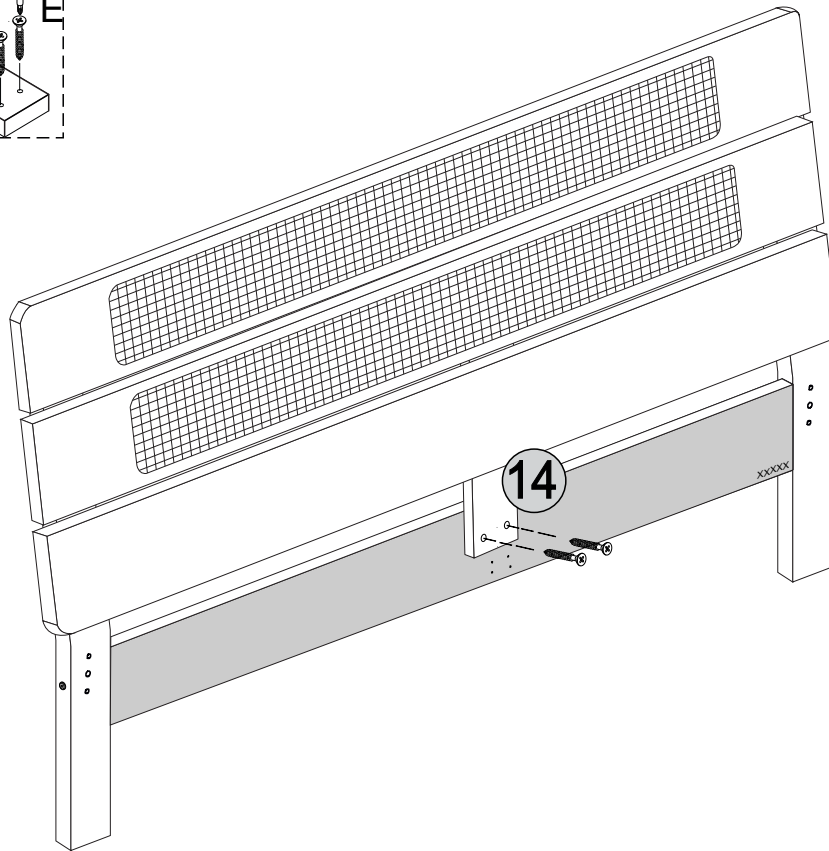
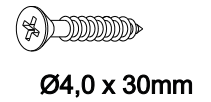
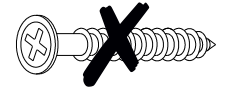
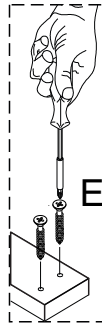
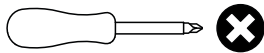
PARTS REQUIRED



HARDWARE REQUIRED



TOOLS REQUIRED



STEP 8

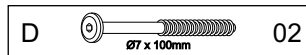
PARTS REQUIRED

5 - FOOTBOARD PANEL x1

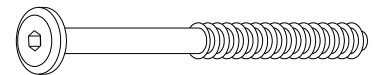
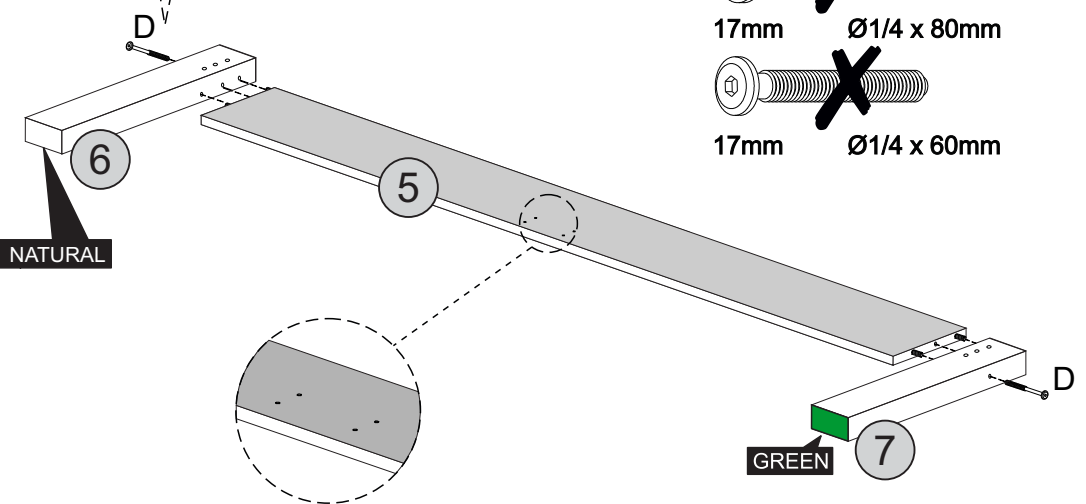
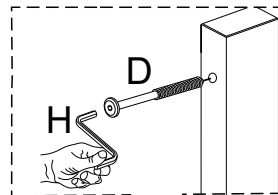
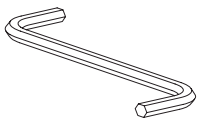
6 - FOOTBOARD RIGHT POST (NATURAL) x1

7 - FOOTBOARD LEFT POST (GREEN) x1

HARDWARE REQUIRED



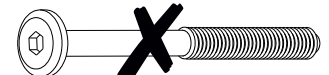
TOOLS REQUIRED



17mm Ø7 x 100mm



17mm Ø7 x 90mm



17mm Ø1/4 x 80mm



17mm Ø1/4 x 60mm

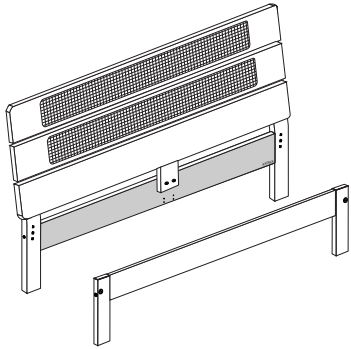
!
Please note:
Pré-marked
Holes

!
Please assemble on
a clean soft surface
to avoid damage.

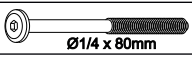
STEP 9

PARTS REQUIRED

2- SIDERAIL x2

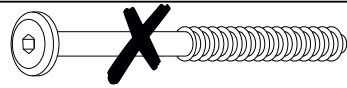
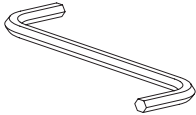


HARDWARE REQUIRED

B  04
Ø1/4 x 80mm

C  04
1/4

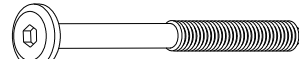
TOOLS REQUIRED



17mm Ø7 x 100mm



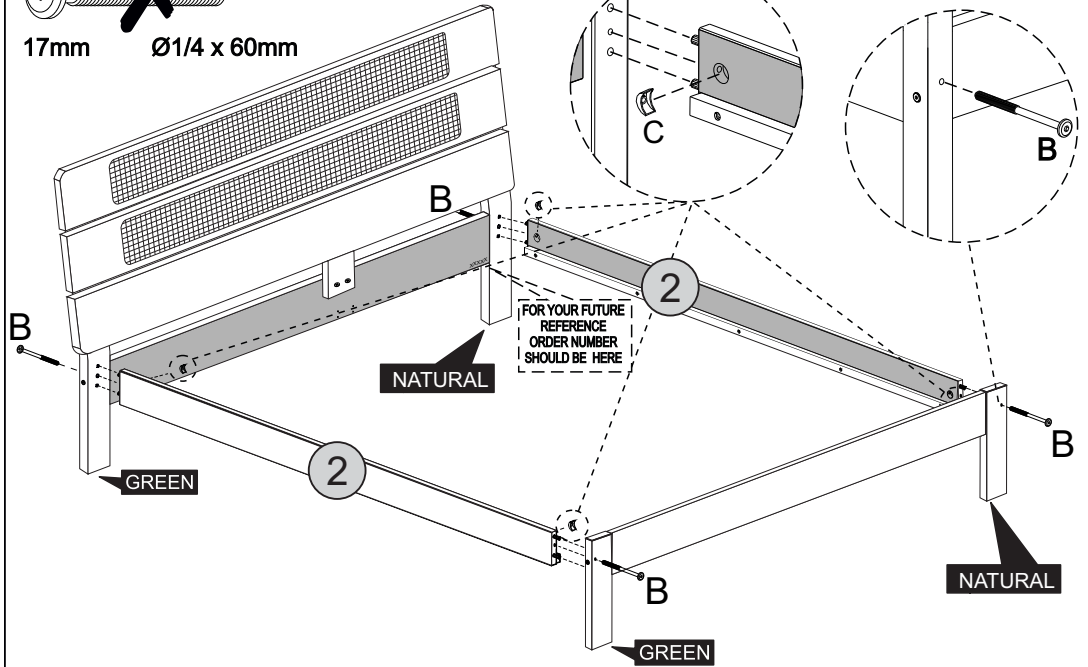
17mm Ø7 x 90mm



17mm Ø1/4 x 80mm

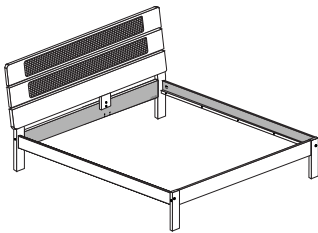


17mm Ø1/4 x 60mm

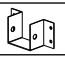


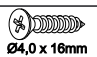
STEP 10

PARTS REQUIRED

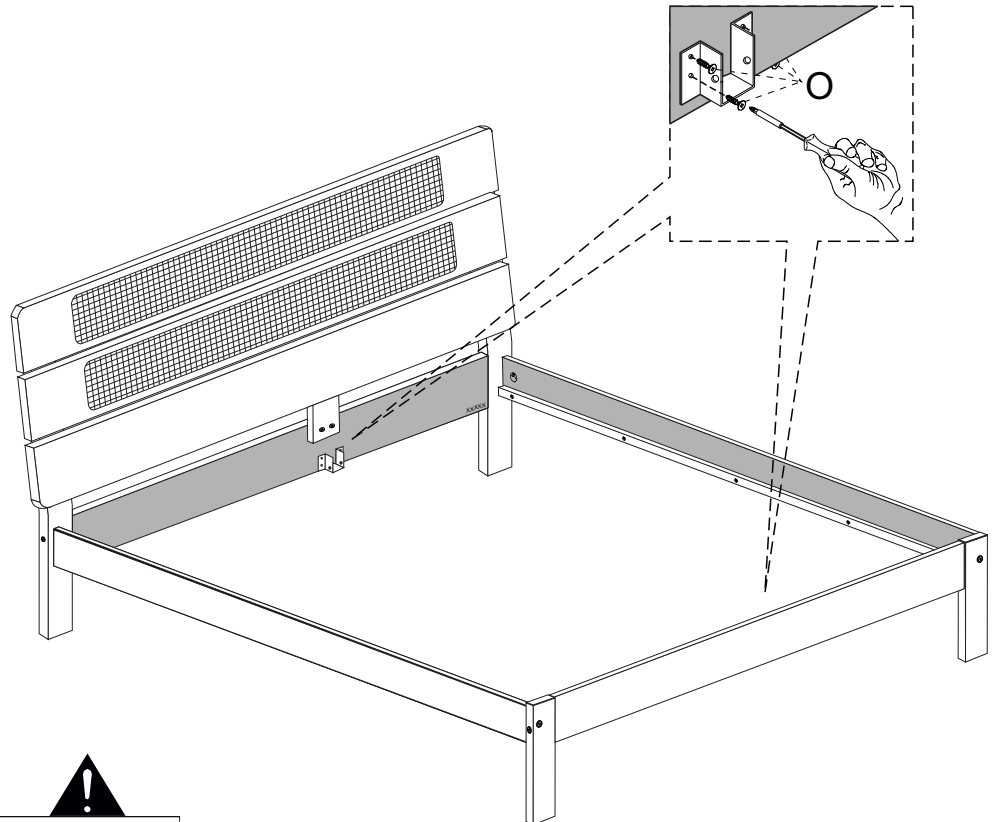
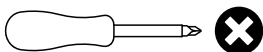


HARDWARE REQUIRED

G  02

O  08
Ø4,0 x 16mm

TOOLS REQUIRED



 Please note:
Pré-marked
Holes

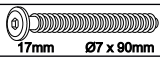
STEP 11

PARTS REQUIRED

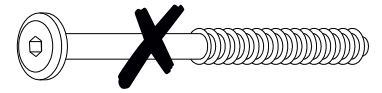
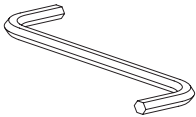
12 - CENTRE RAIL x1

13 - CENTRE SUPPORT LEG x1

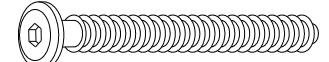
HARDWARE REQUIRED

N  01
17mm Ø7 x 90mm

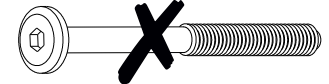
TOOLS REQUIRED



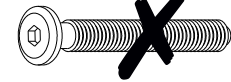
17mm Ø7 x 100mm



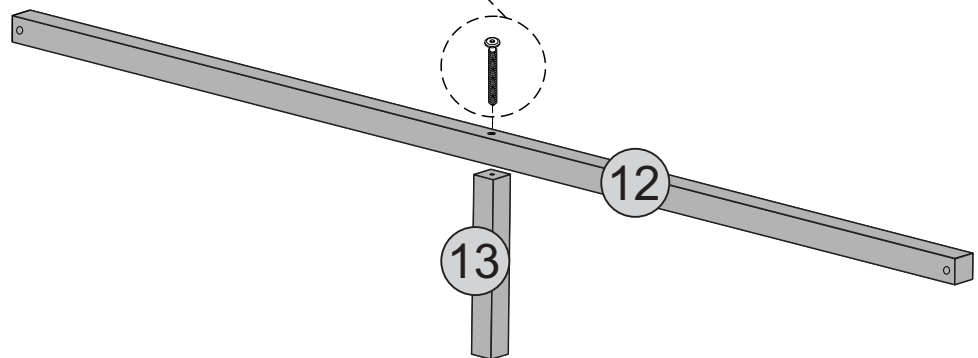
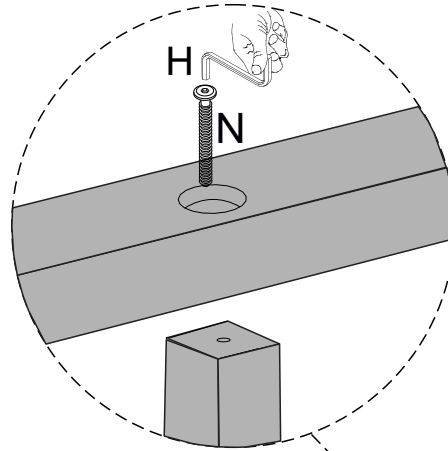
17mm Ø7 x 90mm



17mm Ø1/4 x 80mm

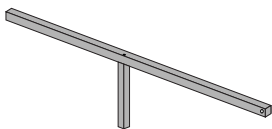
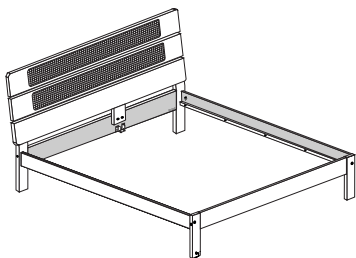


17mm Ø1/4 x 60mm

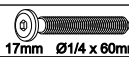


STEP 12

PARTS REQUIRED

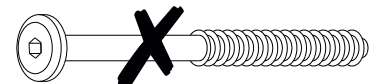
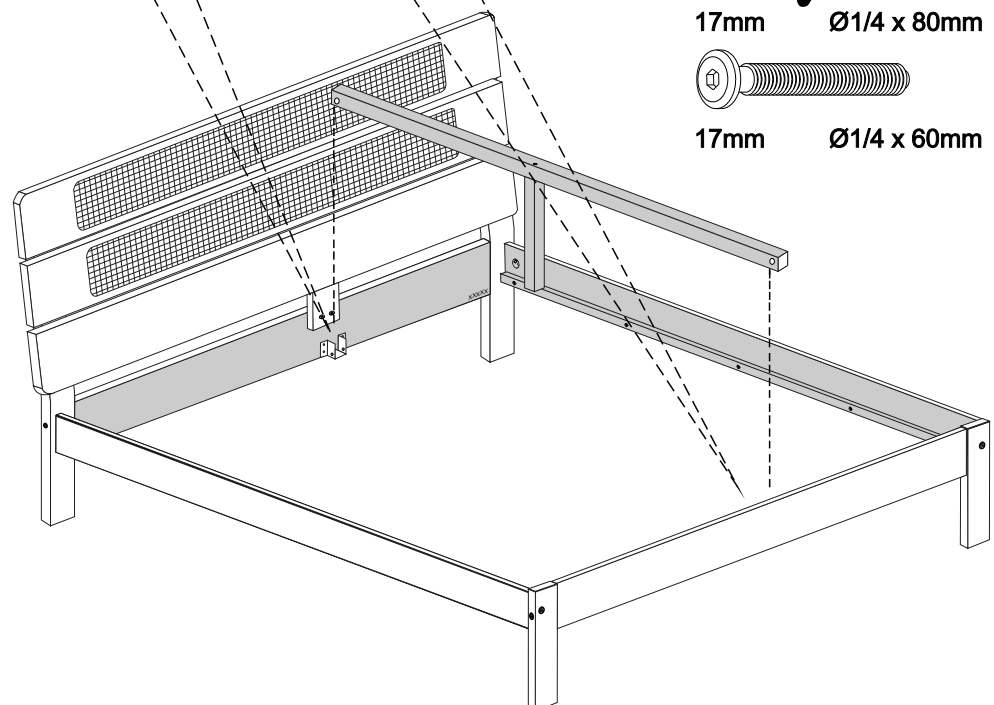
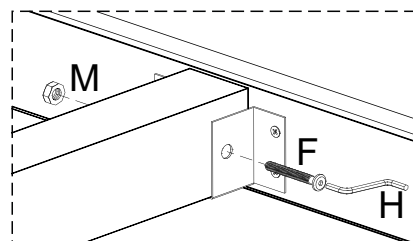
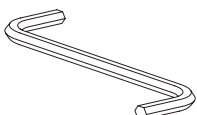


HARDWARE REQUIRED

F  02
17mm Ø1/4 x 60mm

M  1/4 02

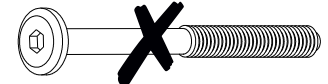
TOOLS REQUIRED



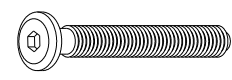
17mm Ø7 x 100mm



17mm Ø7 x 90mm



17mm Ø1/4 x 80mm

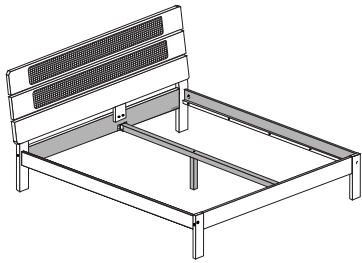


17mm Ø1/4 x 60mm

STEP 12

PARTS REQUIRED

8 - SLATS x28

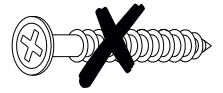
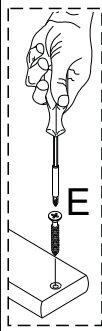
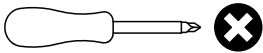


HARDWARE REQUIRED

E  56
Ø4,0 x 30mm

K  02
SPACER

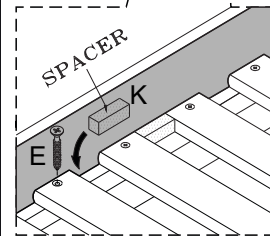
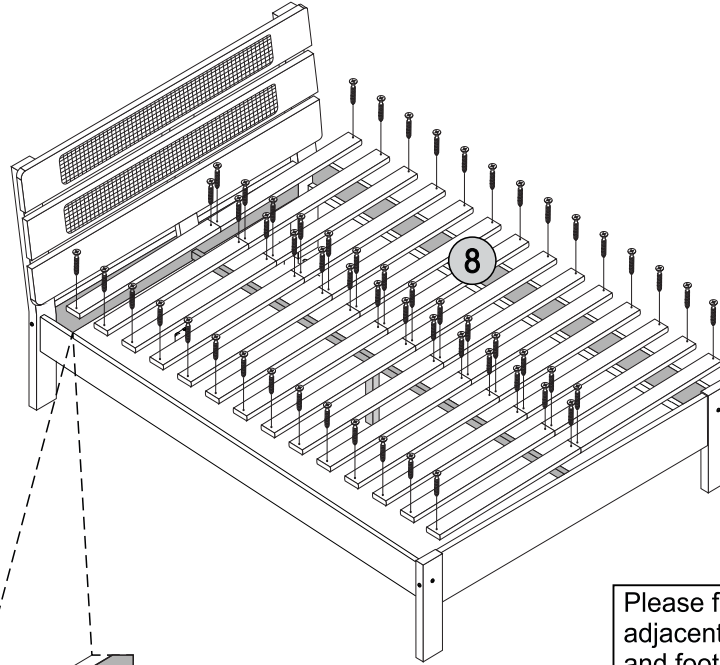
TOOLS REQUIRED



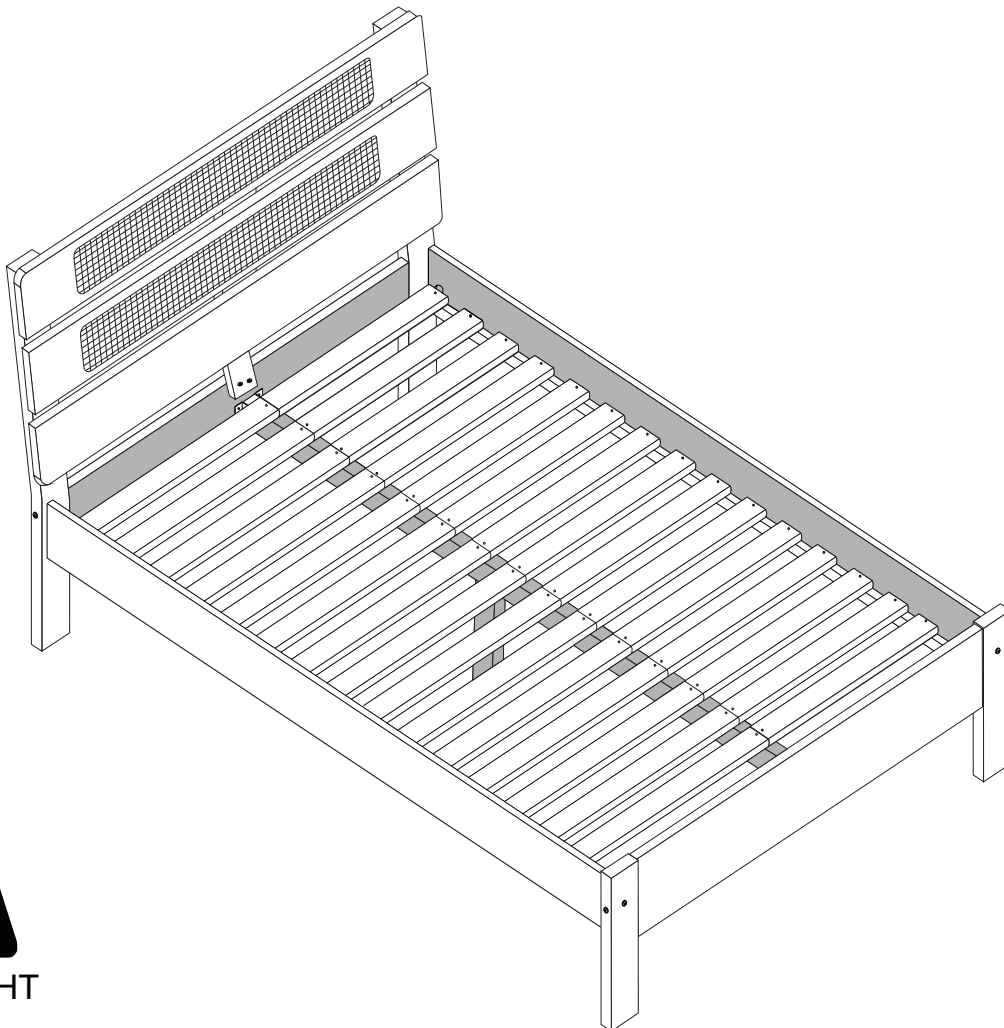
Ø5,0 x 50mm



Ø4,0 x 30mm



Please fix the first slats adjacent to the headboard and footboard and work towards the middle of the bed using the spacer (K) as shown to ensure correct spacing. Fix all the slats to one siderail first then push the second siderail tight against the slats and fix.



MAX WEIGHT