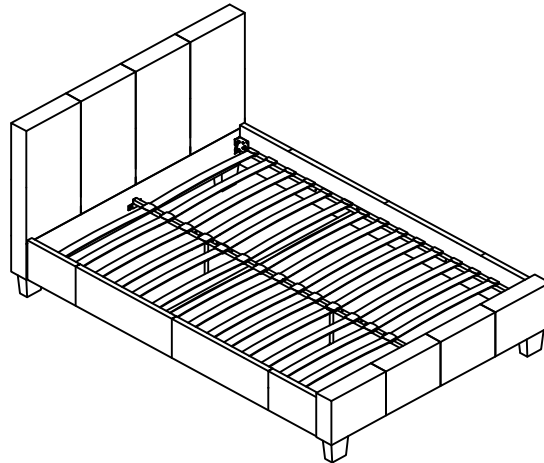
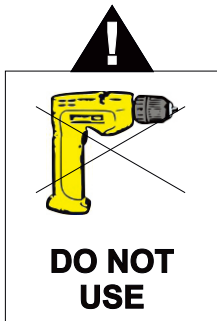


BROWN PU PRADO 4' BED ASSEMBLY INSTRUCTIONS



**MAX BED
WEIGHT**

**FOR DOMESTIC USE ONLY
IMPORTANT**

PLEASE READ BEFORE YOU CONTINUE FURTHER

THE PRODUCT YOU HAVE PURCHASED WILL GIVE YOU MANY YEARS OF SERVICE IF YOU FOLLOW THE GUIDELINES FOR ITS SAFE ASSEMBLY AND PERIODIC MAINTENANCE AND CLEANING.

ASSEMBLE ON A SOFT CLEAN SURFACE.

DO NOT USE ANY TOOLS OTHER THAN THOSE SHOWN.

ANY SPANNERS OR ALLEN KEYS REQUIRED ARE INCLUDED WITH THE FITTINGS KIT.

DO NOT FOR ANY REASON USE A POWER TOOL TO ASSEMBLE THIS PRODUCT. ITS USE WILL INVALIDATE ANY CLAIM YOU MAY HAVE AND COULD MAKE THIS PRODUCT UNSAFE.

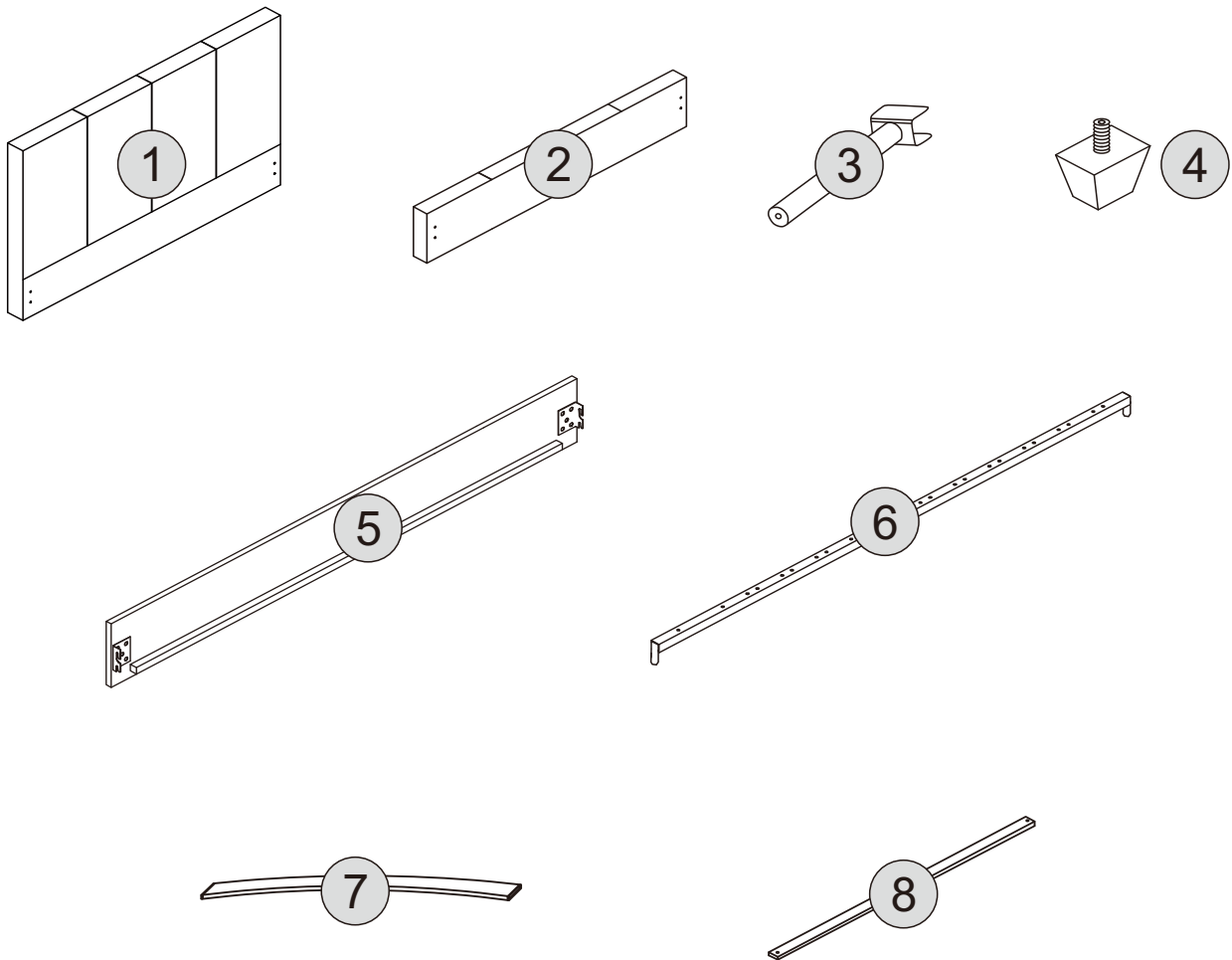
DEPENDING ON THE AMOUNT OF USE THIS PRODUCT RECEIVES IT MAY BE NECESSARY TO TIGHTEN UP THE FIXINGS FROM TIME TO TIME. THIS IS COMPLETELY NORMAL FOR ANY FLAT PACK FURNITURE.

DO NOT OVERTIGHTEN FIXINGS.

FOR CLEANING, YOU MAY USE A DAMP CLOTH (NOT WET) DO NOT USE POLISH, DETERGENT OR CHEMICAL CLEANERS

THIS PRODUCT MAY STAIN OR MARK IF ALLOWED TO COME INTO CONTACT WITH WET OR DAMP OBJECTS AS MATERIALS USED HAVE NOT BEEN SCOTCH GUARDED.

THE SURFACE OF THIS ITEM IS NOT HEAT RESISTANT. ALWAYS USE A PLACE MAT UNDER HOT OR COLD ITEMS TO PREVENT MARKING.

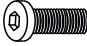













PART LIST

Part Number	Part Code	Part Description	Quantity	Carton
1	S200-202-004-HA1-01	Headboard	1	1/2
2	S200-202-004-HA1-02	Footboard	1	1/2
3	S200-202-004-HA1-03	Centre Support Leg	2	2/2
4	S200-202-004-HA1-04	Feet	4	2/2
5	S200-202-004-HA1-05	Siderail	2	2/2
6	S200-202-004-HA1-06	Centre Rail	1	2/2
7	S200-202-004-HA1-07	Wooden Slat	26	1/2
8	S200-202-004-HA1-08	Centre Cross Rail	1	2/2

PLEASE CHECK THAT YOU HAVE ALL THE PARTS LISTED BEFORE YOU START ASSEMBLING. IF YOU DO FIND THAT SOMETHING IS MISSING, DO NOT CONTINUE ASSEMBLY. PLEASE CONTACT YOUR SUPPLIER IMMEDIATELY.

HARDWARE LIST

REF		HARDWARE NAME	QTY
A		5/16" x 25MM	8 PCS
B		5/16" x 45MM	2 PCS
C		PLASTIC FOOT ADJUSTER	2 PCS
D		5MM ALLEN KEY	1 PCS
E		CENTRE CAP	13 PCS
F		END CAP	26 PCS
G		1/4" x 57MM	3 PCS
H		1/4" x BUTTERFLY NUT	3 PCS
I		1/4" x 16MM WASHER	6 PCS
J		1/4" SPRING WASHER	6 PCS
K		1/4 x 16MM PLASTIC WASHER	3 PCS
L		4MM ALLEN KEY	1 PC

PLEASE CHECK THAT YOU HAVE ALL THE PARTS LISTED BEFORE YOU START ASSEMBLING. IF YOU DO FIND THAT SOMETHING IS MISSING. DO NOT CONTINUE ASSEMBLY. PLEASE CONTACT YOUR SUPPLIER IMMEDIATELY.

STEP 1

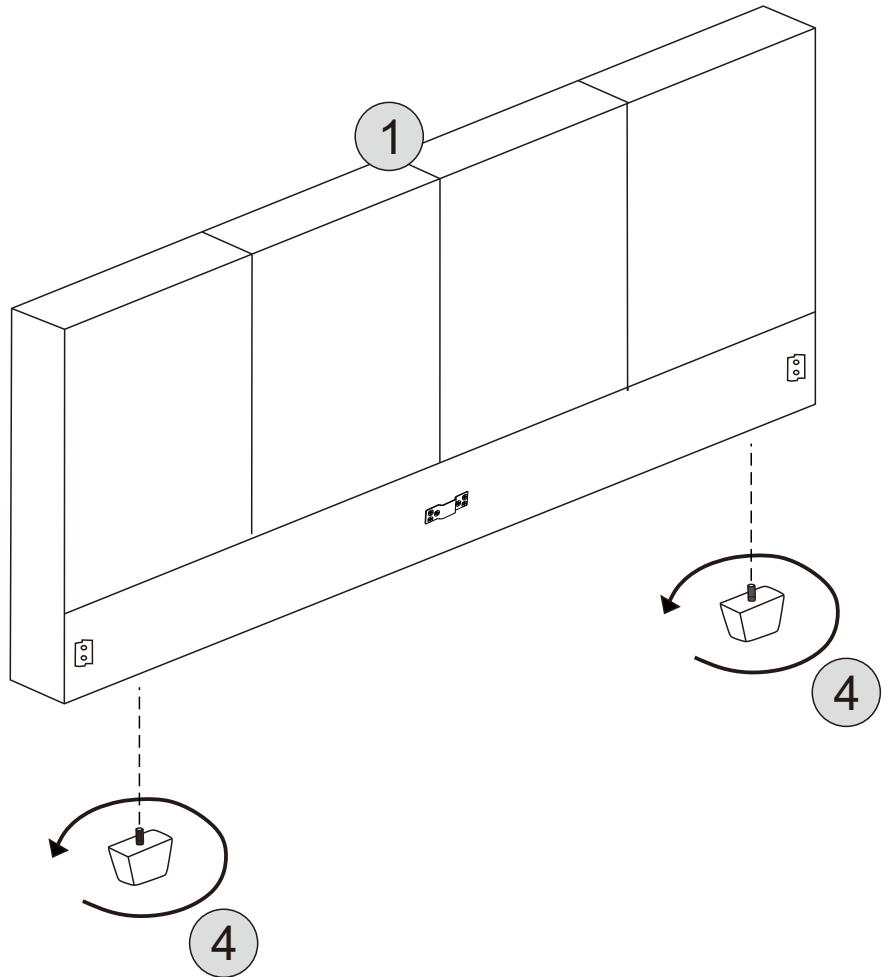
PARTS REQUIRED

1 - HEADBOARD	x1
---------------	----

4 - FEET	x2
----------	----

HARDWARE REQUIRED

TOOLS REQUIRED



STEP 2

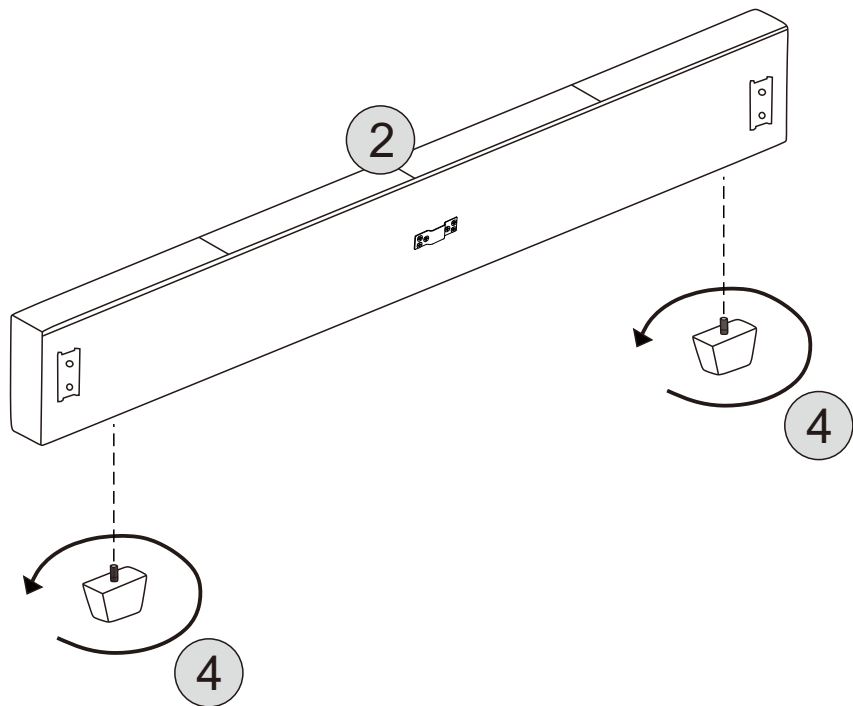
PARTS REQUIRED

2 - FOOTBOARD	x1
---------------	----

4 - FEET	x2
----------	----

HARDWARE REQUIRED

TOOLS REQUIRED



STEP 3

PARTS REQUIRED

3 - CENTRE SUPPORT LEG x2

6 - CENTRE RAIL x1

HARDWARE REQUIRED

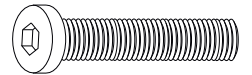
B  02

C  02

TOOLS REQUIRED



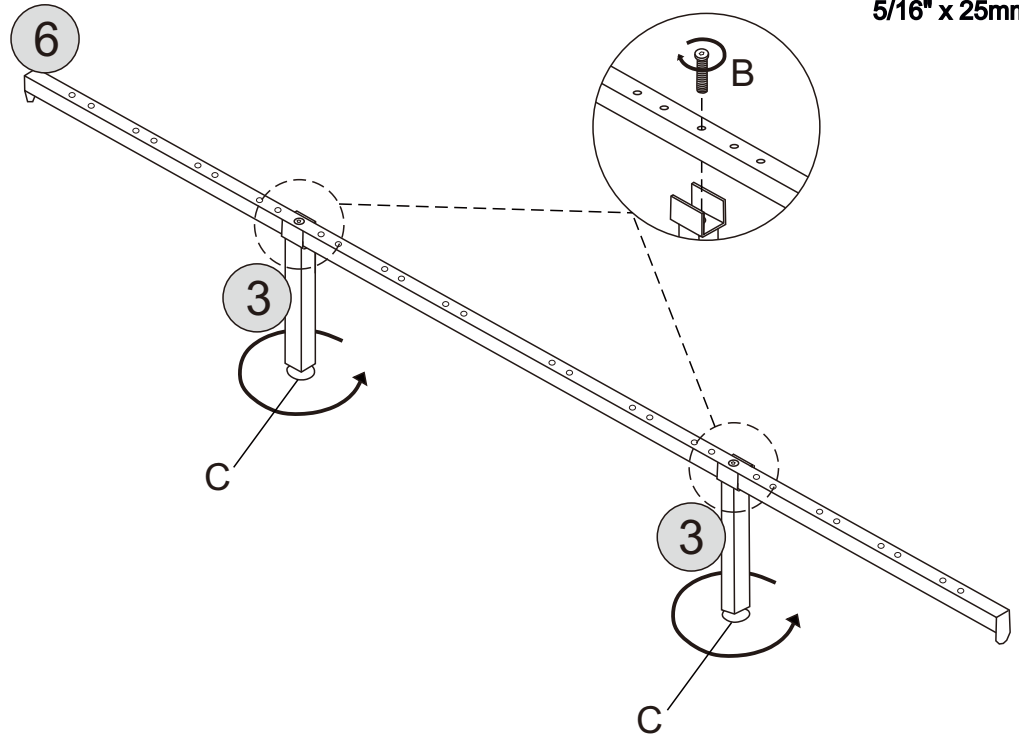
1/4" x 57mm



5/16" x 45mm



5/16" x 25mm



STEP 4


PARTS REQUIRED

1 - HEADBOARD x1

2 - FOOTBOARD x1

5 - SIDERAIL x2

HARDWARE REQUIRED

A  08

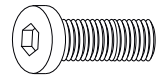
TOOLS REQUIRED



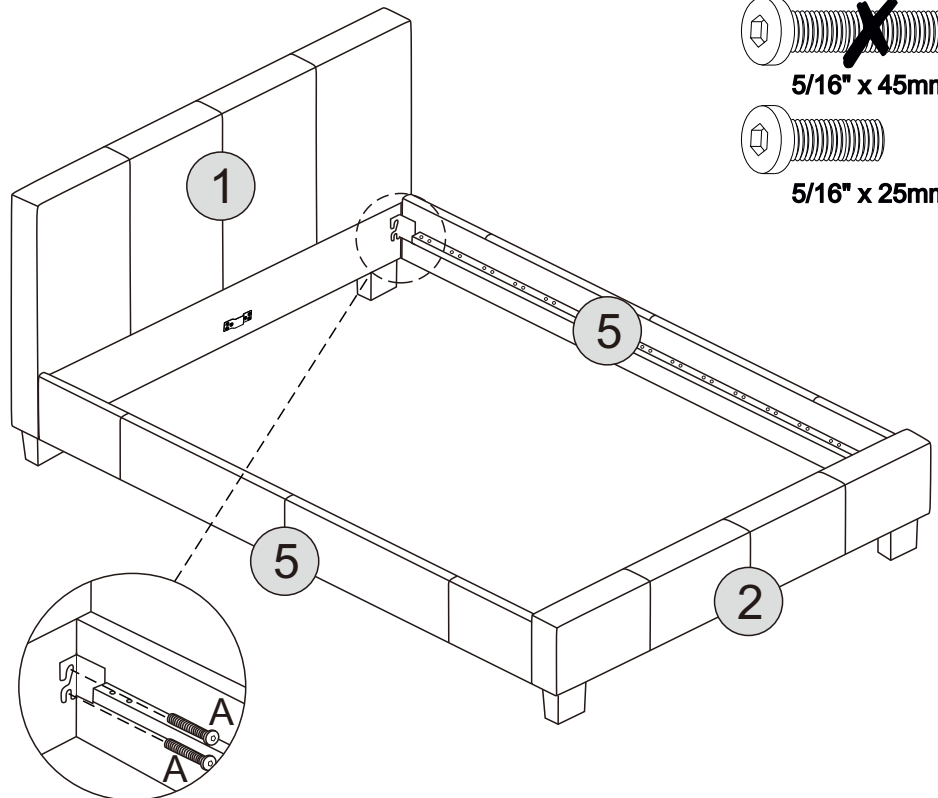
1/4" x 57mm



5/16" x 45mm



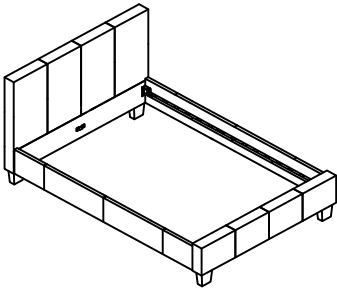
5/16" x 25mm



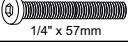




STEP 5

PARTS REQUIRED

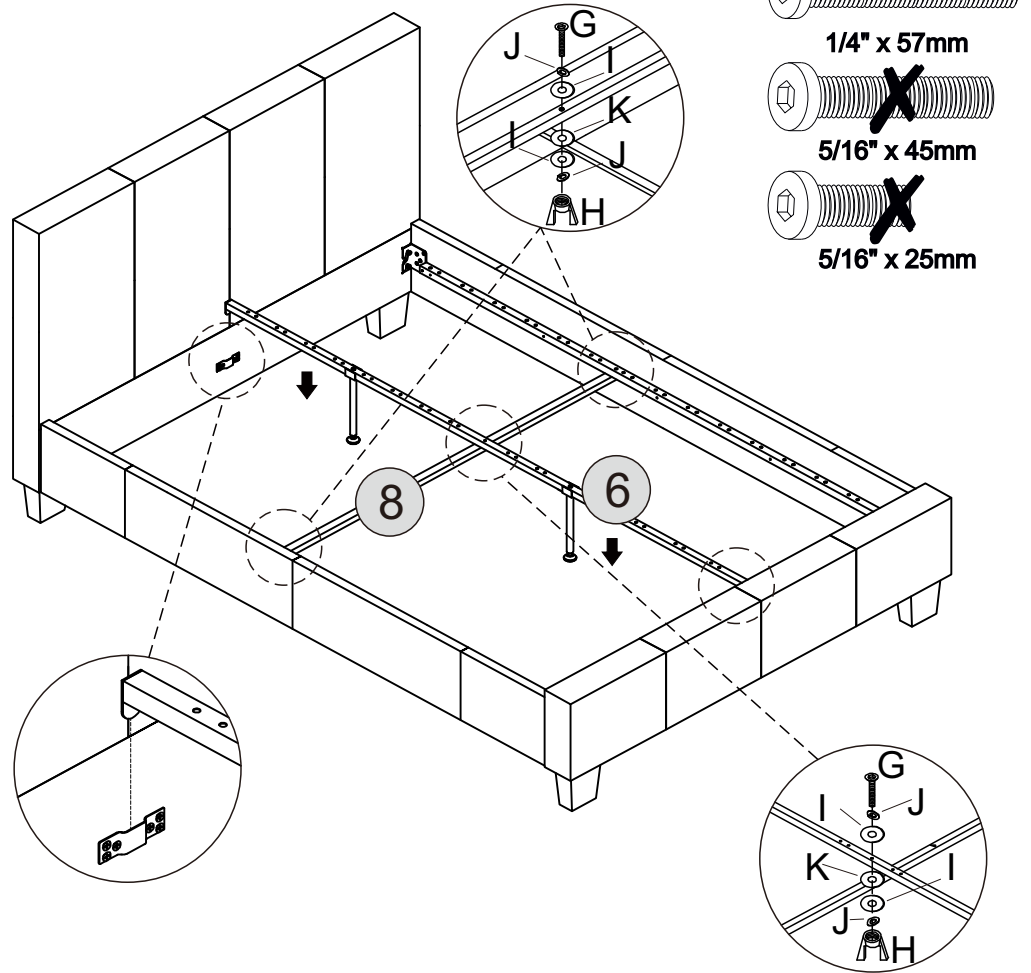
6 - CENTRE RAIL	x1
8 - CENTRE CROSS RAIL	x1



HARDWARE REQUIRED

G	 03 1/4" x 57mm
H	 03
I	 03
J	 06
K	 03

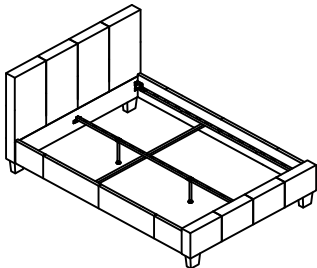
TOOLS REQUIRED





STEP 6

PARTS REQUIRED

7 - WOODEN SLAT	x26
-----------------	-----



HARDWARE REQUIRED

E	 13
F	 26

TOOLS REQUIRED

