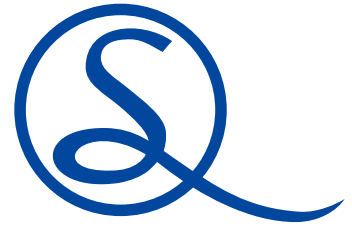
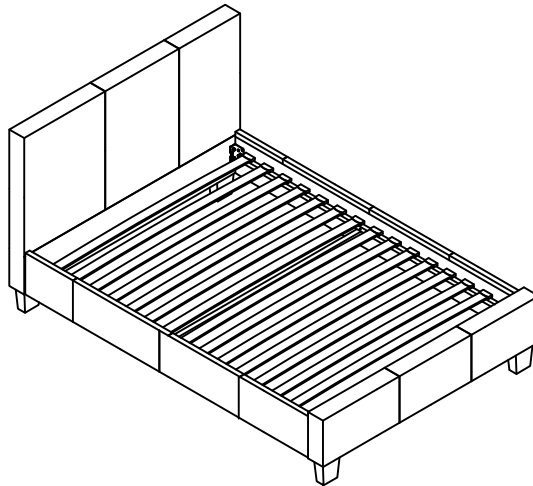


BLACK PU PRADO 3' BED ASSEMBLY INSTRUCTIONS



**MAX BED
WEIGHT**

**FOR DOMESTIC USE ONLY
IMPORTANT**

PLEASE READ BEFORE YOU CONTINUE FURTHER

THE PRODUCT YOU HAVE PURCHASED WILL GIVE YOU MANY YEARS OF SERVICE IF YOU FOLLOW THE GUIDELINES FOR ITS SAFE ASSEMBLY AND PERIODIC MAINTENANCE AND CLEANING.

ASSEMBLE ON A SOFT CLEAN SURFACE.

DO NOT USE ANY TOOLS OTHER THAN THOSE SHOWN.

ANY SPANNERS OR ALLEN KEYS REQUIRED ARE INCLUDED WITH THE FITTINGS KIT.

DO NOT FOR ANY REASON USE A POWER TOOL TO ASSEMBLE THIS PRODUCT. ITS USE WILL INVALIDATE ANY CLAIM YOU MAY HAVE AND COULD MAKE THIS PRODUCT UNSAFE.

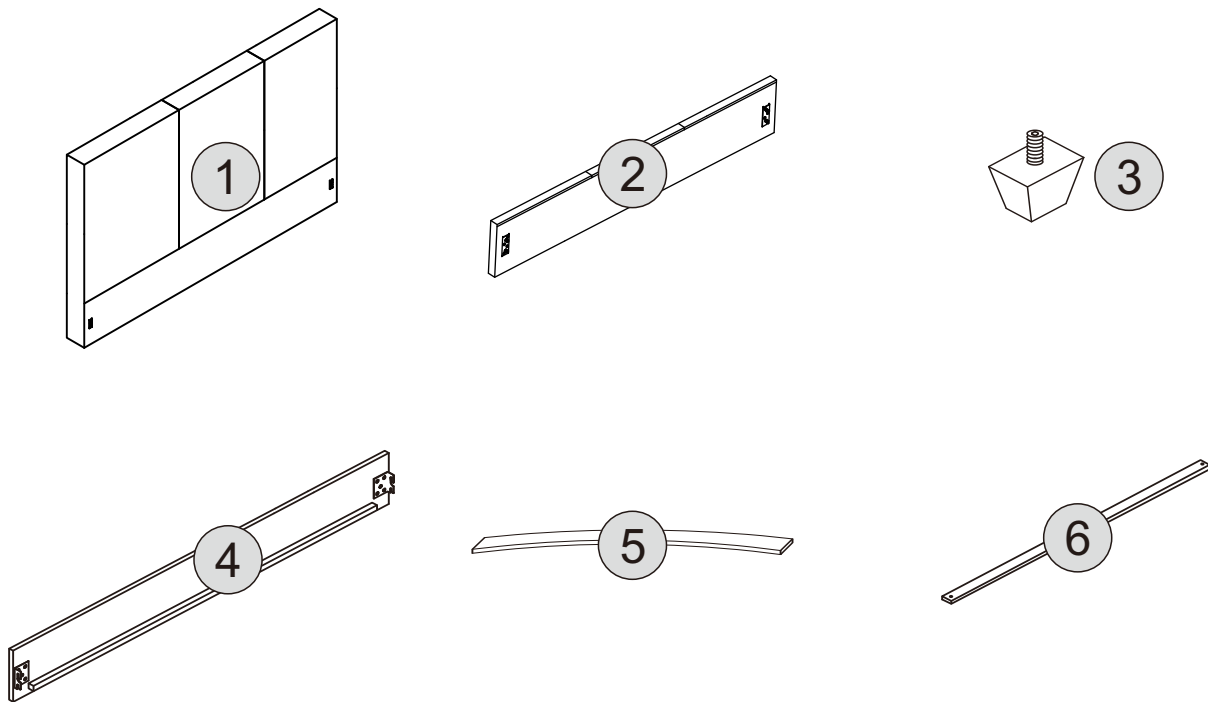
DEPENDING ON THE AMOUNT OF USE THIS PRODUCT RECEIVES IT MAY BE NECESSARY TO TIGHTEN UP THE FIXINGS FROM TIME TO TIME. THIS IS COMPLETELY NORMAL FOR ANY FLAT PACK FURNITURE.

DO NOT OVERTIGHTEN FIXINGS.

FOR CLEANING, YOU MAY USE A DAMP CLOTH (NOT WET) DO NOT USE POLISH, DETERGENT OR CHEMICAL CLEANERS

THIS PRODUCT MAY STAIN OR MARK IF ALLOWED TO COME INTO CONTACT WITH WET OR DAMP OBJECTS AS MATERIALS USED HAVE NOT BEEN SCOTCH GUARDED.

THE SURFACE OF THIS ITEM IS NOT HEAT RESISTANT. ALWAYS USE A PLACE MAT UNDER HOT OR COLD ITEMS TO PREVENT MARKING.

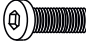











PART LIST

Part Number	Part Code	Part Description	Quantity	Carton
1	S200-201-030-HA1-01	Headboard	1	1/2
2	S200-201-030-HA1-02	Footboard	1	1/2
3	S200-201-030-HA1-03	Feet	4	2/2
4	S200-201-030-HA1-04	Siderail	2	2/2
5	S200-201-030-HA1-05	Wooden Slat	14	1/2
6	S200-201-030-HA1-06	Centre Cross Rail	1	2/2

PLEASE CHECK THAT YOU HAVE ALL THE PARTS LISTED BEFORE YOU START ASSEMBLING. IF YOU DO FIND THAT SOMETHING IS MISSING, DO NOT CONTINUE ASSEMBLY. PLEASE CONTACT YOUR SUPPLIER IMMEDIATELY.

HARDWARE LIST

REF		HARDWARE NAME	QTY
A		5/16" x 25MM	8 PCS
B		5MM ALLEN KEY	1 PC
C		END CAP	28 PCS
D		1/4" x 57MM	2 PCS
E		1/4" x BUTTERFLY NUT	2 PCS
F		1/4" x 16MM WASHER	4 PCS
G		1/4" SPRING WASHER	4 PCS
H		1/4 x 16MM PLASTIC WASHER	2 PCS
I		4MM ALLEN KEY	1 PC
J		M3 x 9MM SCREW	28 PCS

**PLEASE CHECK THAT YOU HAVE ALL THE PARTS LISTED
BEFORE YOU START ASSEMBLING. IF YOU DO FIND THAT
SOMETHING IS MISSING. DO NOT CONTINUE ASSEMBLY.
PLEASE CONTACT YOUR SUPPLIER IMMEDIATELY.**

STEP 1

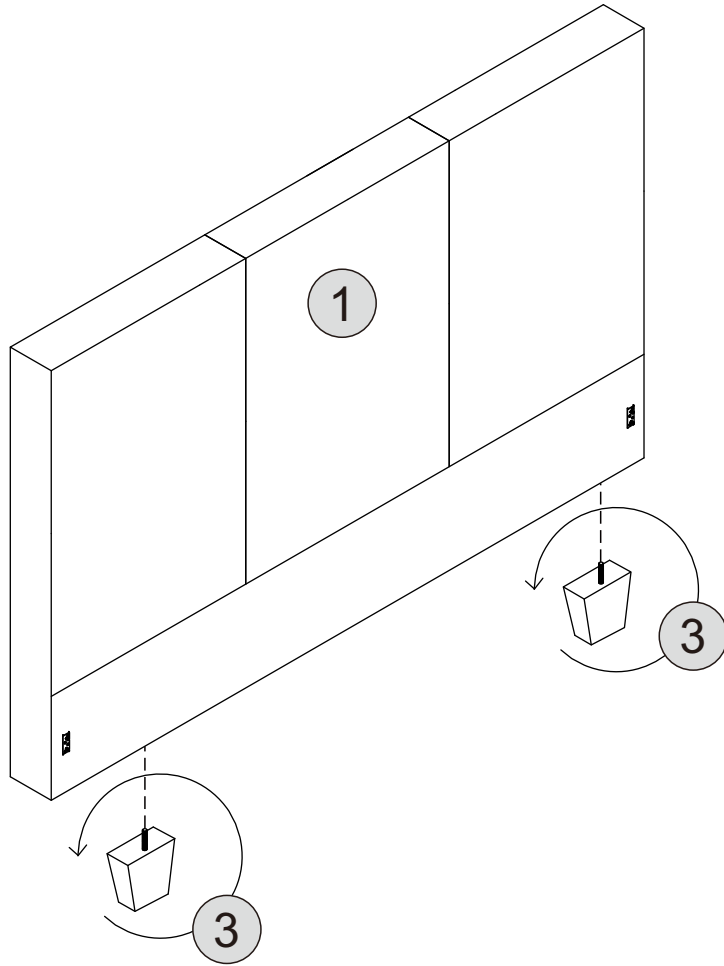
PARTS REQUIRED

1 - HEADBOARD	x1
---------------	----

3 - FEET	x2
----------	----

HARDWARE REQUIRED

TOOLS REQUIRED



STEP 2

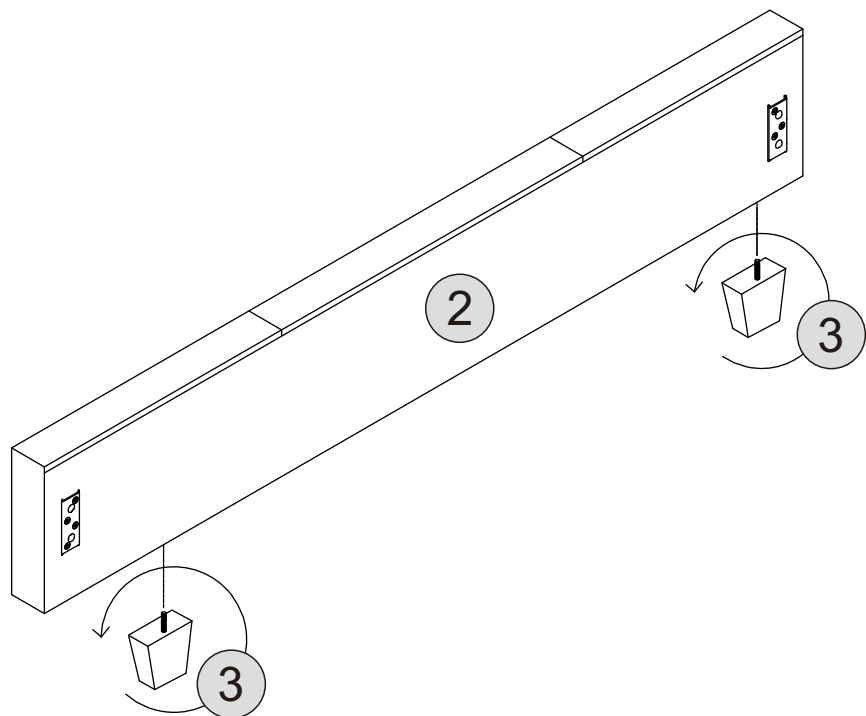
PARTS REQUIRED

2 - FOOTBOARD	x1
---------------	----

3 - FEET	x2
----------	----

HARDWARE REQUIRED

TOOLS REQUIRED




STEP 3

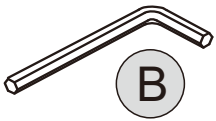
PARTS REQUIRED

1 - HEADBOARD	x1
2 - FOOTBOARD	x1
4 - SIDE RAIL	x2

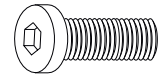
HARDWARE REQUIRED

A		08
---	---	----

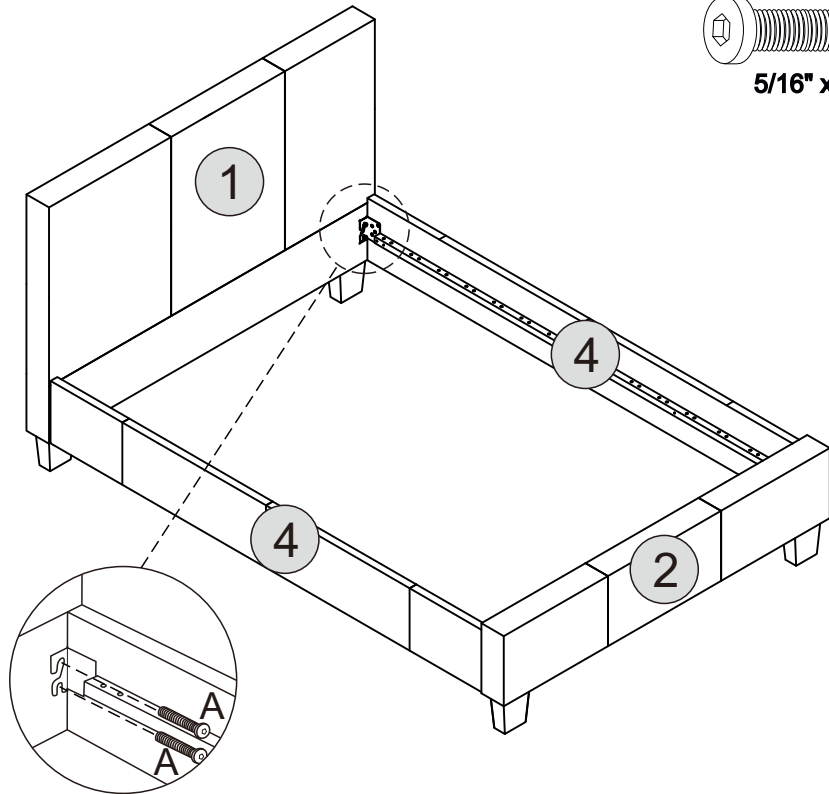
TOOLS REQUIRED



1/4" x 57mm



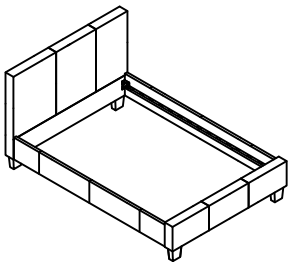
5/16" x 25mm



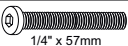
STEP 4

PARTS REQUIRED

6 - CENTRE CROSS RAIL	x1
-----------------------	----



HARDWARE REQUIRED

D		02
---	---	----

1/4" x 57mm

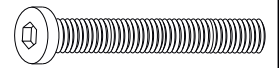
E		02
---	---	----

F		02
---	---	----

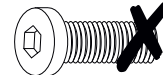
G		04
---	---	----

H		02
---	---	----

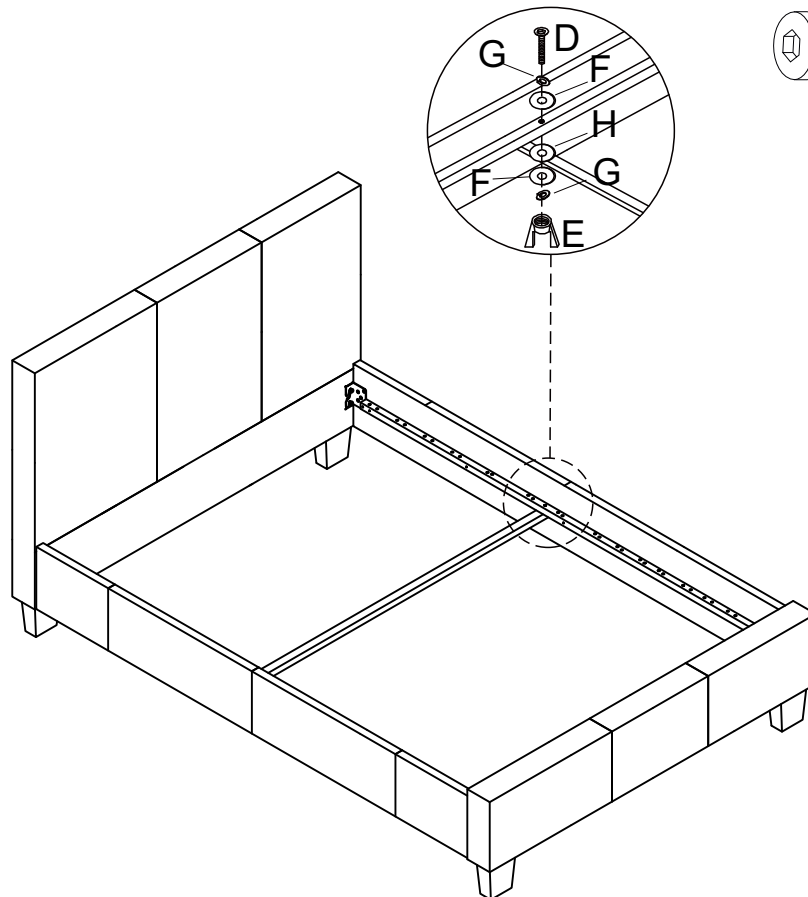
TOOLS REQUIRED



1/4" x 57mm



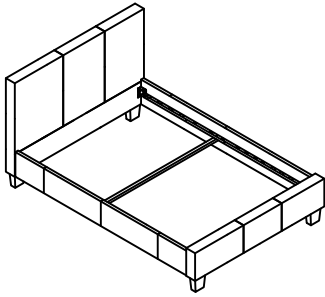
5/16" x 25mm



STEP 5

PARTS REQUIRED

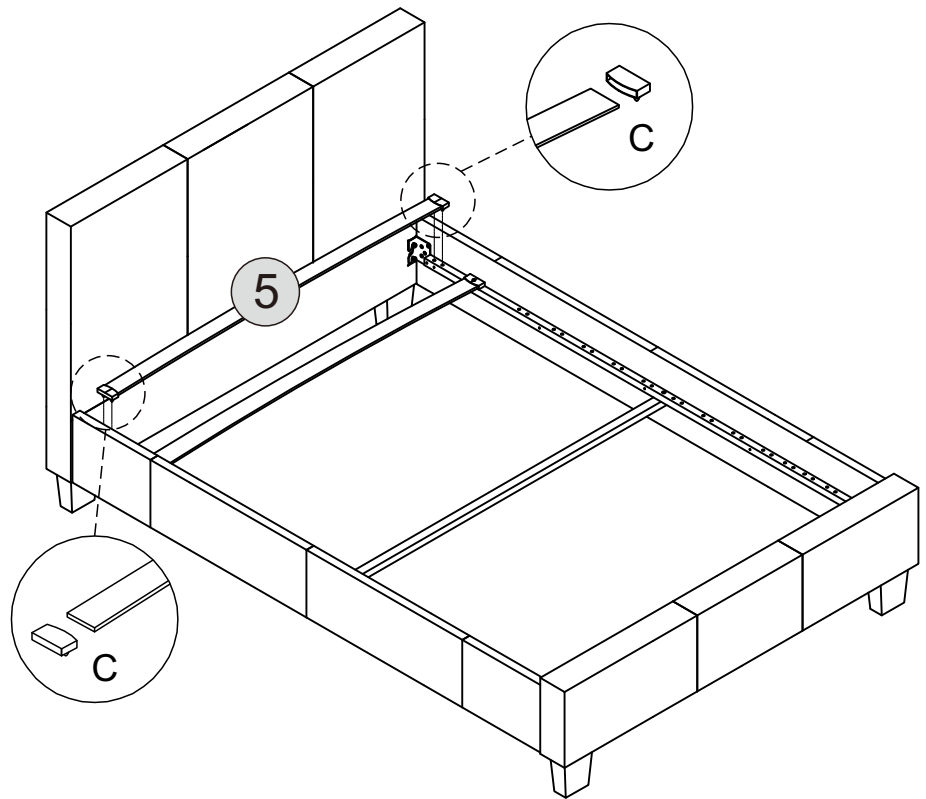
5 - WOODEN SLAT x14



HARDWARE REQUIRED

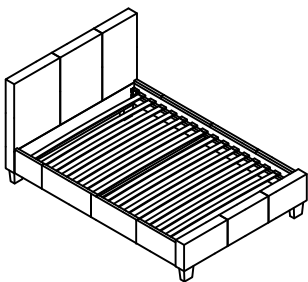
C  28

TOOLS REQUIRED



STEP 6

PARTS REQUIRED



HARDWARE REQUIRED

TOOLS REQUIRED

