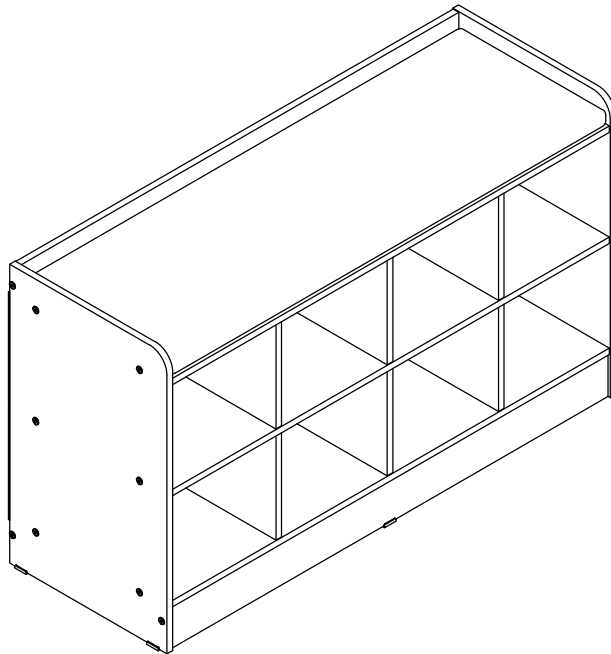
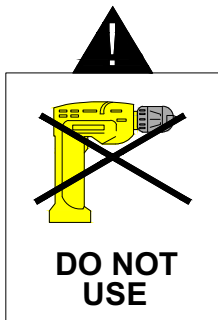


# WHITE / STEEL FABRIC PORTLAND SHOE BENCH ASSEMBLY INSTRUCTIONS



## **IMPORTANT FOR DOMESTIC USE ONLY PLEASE READ BEFORE YOU CONTINUE FURTHER**

THE PRODUCT YOU HAVE PURCHASED WILL GIVE YOU MANY YEARS OF SERVICE IF YOU FOLLOW THE GUIDELINES FOR ITS SAFE ASSEMBLY AND PERIODIC MAINTENANCE AND CLEANING.

ASSEMBLE ON A SOFT CLEAN SURFACE.

DO NOT USE ANY TOOLS OTHER THAN THOSE SHOWN.

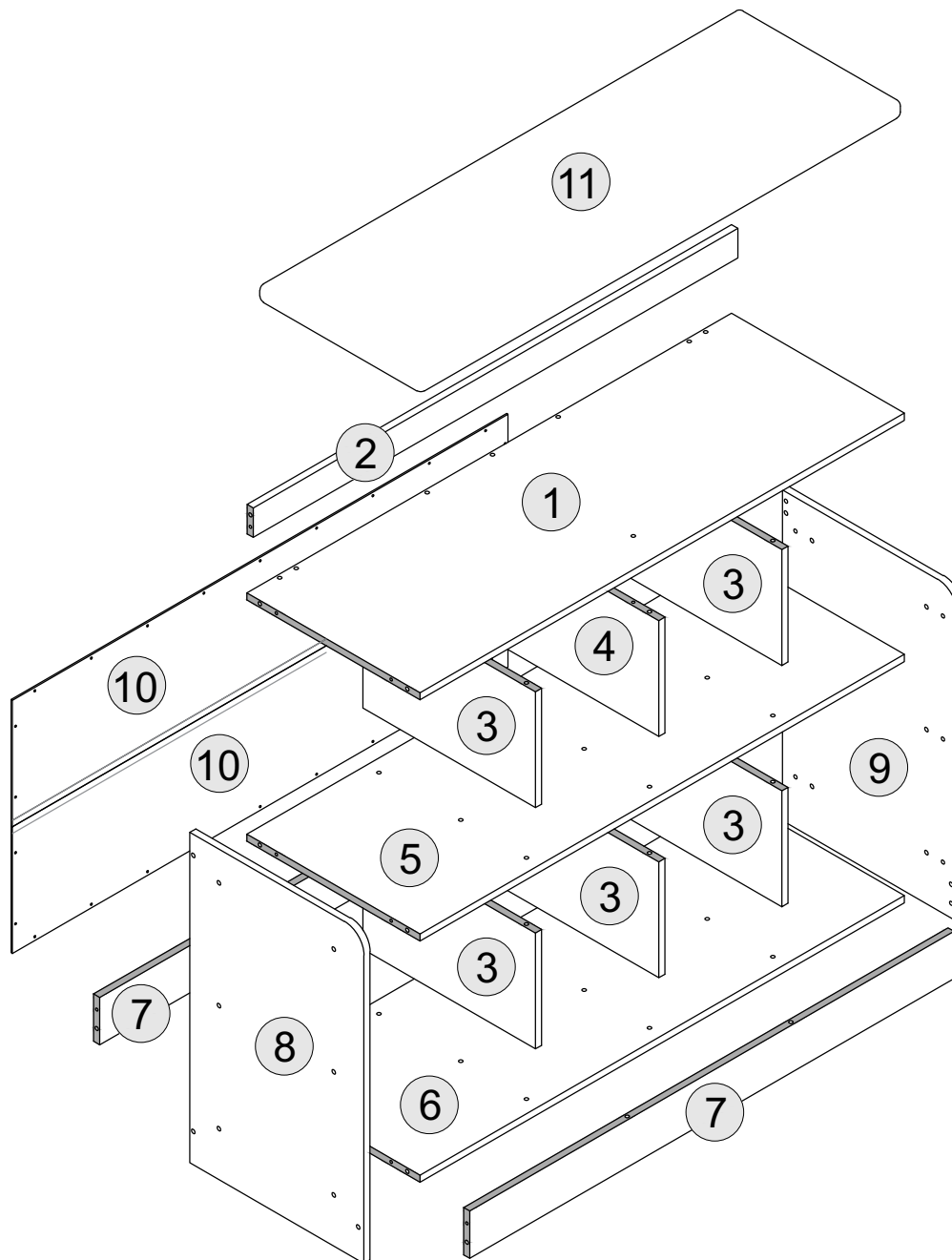
ANY SPANNERS OR ALLEN KEYS REQUIRED ARE INCLUDED WITH THE FITTINGS KIT.

DO NOT FOR ANY REASON USE A POWER TOOL TO ASSEMBLE THIS PRODUCT. ITS USE WILL INVALIDATE ANY CLAIM YOU MAY HAVE AND COULD MAKE THIS PRODUCT UNSAFE.

DEPENDING ON THE AMOUNT OF USE THIS PRODUCT RECEIVES IT MAY BE NECESSARY TO TIGHTEN UP THE FIXINGS FROM TIME TO TIME. THIS IS COMPLETELY NORMAL FOR ANY FLAT PACK FURNITURE. DO NOT OVERTIGHTEN FIXING.

FOR CLEANING, YOU MAY USE A DAMP CLOTH (NOT WET) DO NOT USE POLISH, DÉTERGENT OR CHEMICAL CLEANERS.



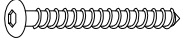
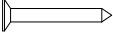

THE SURFACE OF THIS ITEM IS NOT HEAT RESISTANT. ALWAYS USE A PLACE MAT UNDER HOT OR COLD ITEMS TO PREVENT MARKING.



## PART LIST

Part Number	Part Code	Part Description	Quantity	Carton
1	S100-120-024-EU1-01	Top Panel	1	1/1
2	S100-120-024-EU1-02	Upper Back Rail	1	1/1
3	S100-120-024-EU1-03	Divider Panel I	5	1/1
4	S100-120-024-EU1-04	Divider Panel II	1	1/1
5	S100-120-024-EU1-05	Middle Panel	1	1/1
6	S100-120-024-EU1-06	Bottom Panel	1	1/1
7	S100-120-024-EU1-07	Base Apron	2	1/1
8	S100-120-024-EU1-08	Side Panel - Left	1	1/1
9	S100-120-024-EU1-09	Side Panel - Right	1	1/1
10	S100-120-024-EU1-10	Back Panel	2	1/1
11	S100-120-024-EU1-11	Cushion	1	1/1

**HARDWARE LIST**

A		DOWEL 6 X 30MM	49 PCS
B		ALLEN KEY	1 PC
C		BOLT M6 X 50MM	18 PCS
D		SCREW M3.5 X 16MM	6 PCS
E		TACK	26 PCS
F		PLASTIC FOOT	6 PCS
G		SCREW M6 X 50MM	11 PCS

# STEP 1

PARTS REQUIRED

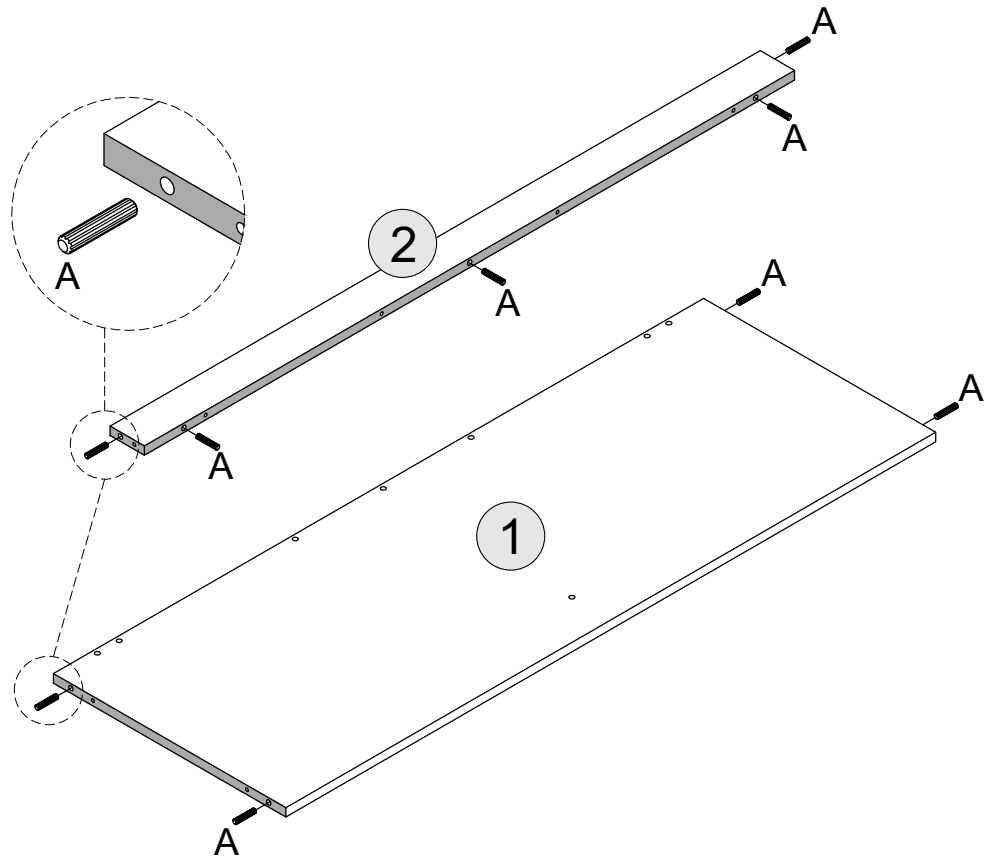
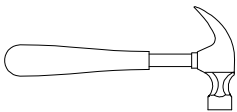
1 - TOP PANEL x1

2 - UPPER BACK RAIL x1

HARDWARE REQUIRED

A  09

TOOLS REQUIRED



# STEP 2

PARTS REQUIRED

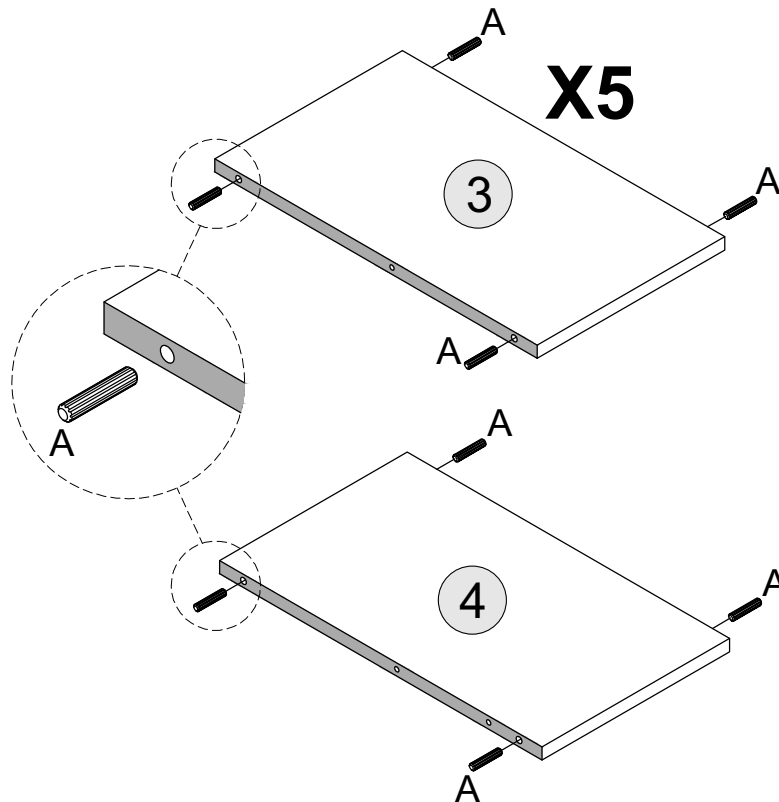
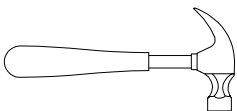
3 - DIVIDER PANEL I x5

4 - DIVIDER PANEL II x1

HARDWARE REQUIRED

A  24

TOOLS REQUIRED



# STEP 3

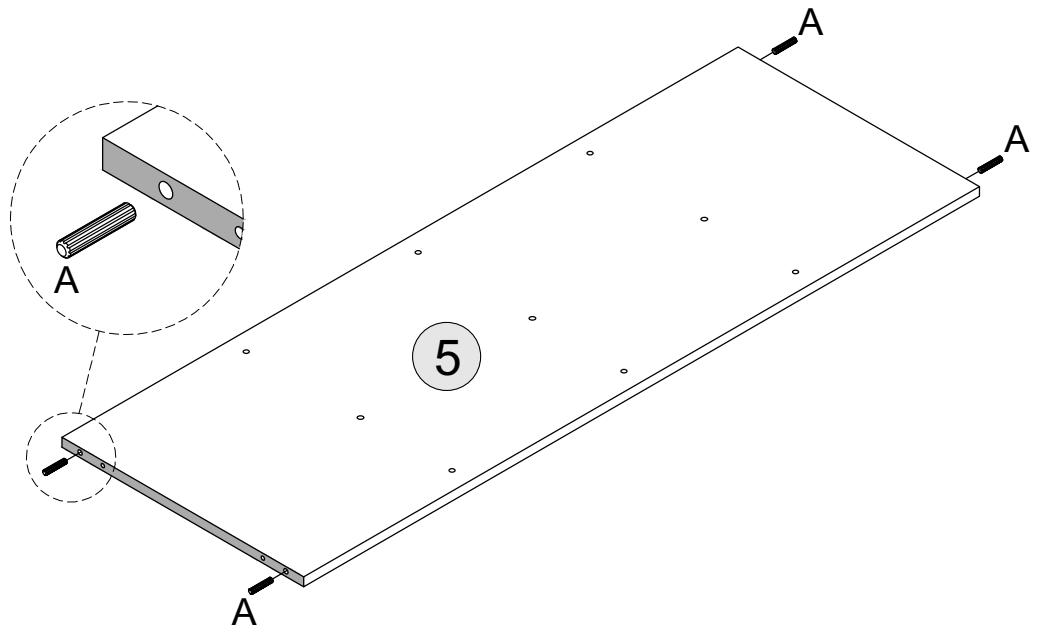
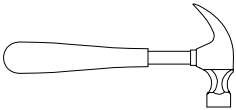
PARTS REQUIRED

5 - MIDDLE PANEL x1

HARDWARE REQUIRED

A  04

TOOLS REQUIRED



# STEP 4

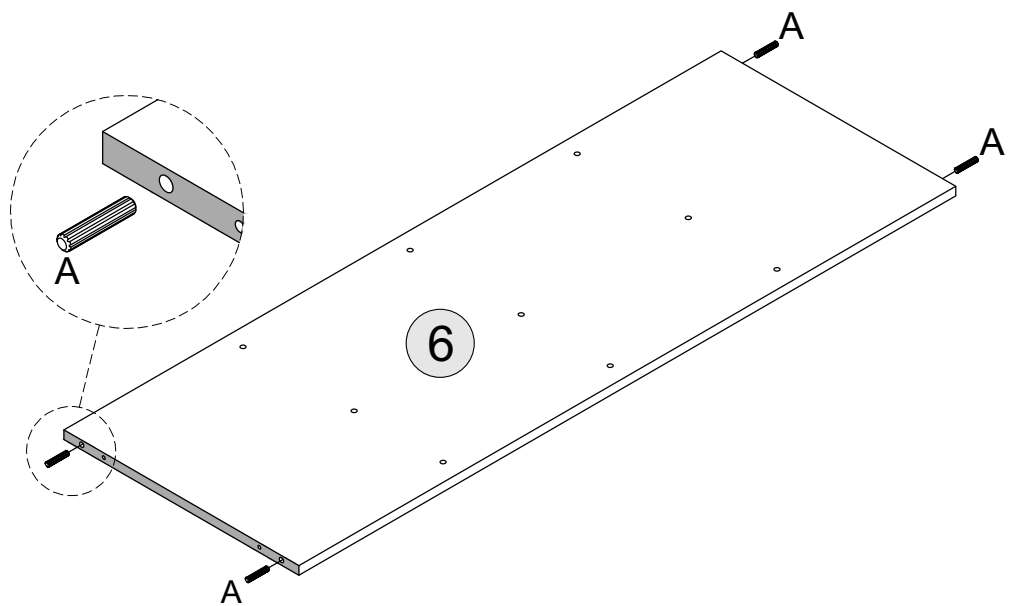
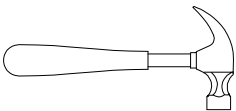
PARTS REQUIRED

6 - BOTTOM PANEL x1

HARDWARE REQUIRED

A  04

TOOLS REQUIRED



# STEP 5

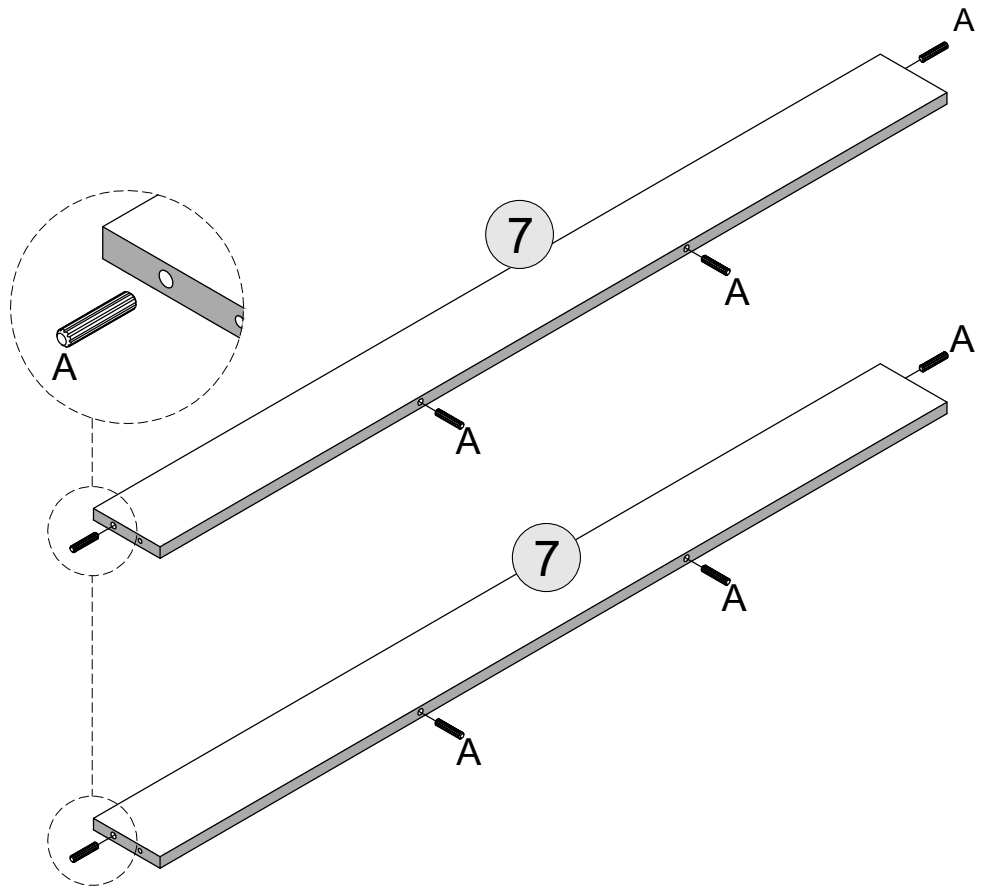
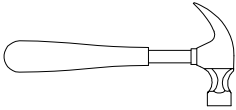
**PARTS REQUIRED**

7 - BASE APRON x2

**HARDWARE REQUIRED**

A  08

**TOOLS REQUIRED**



# STEP 6

**PARTS REQUIRED**

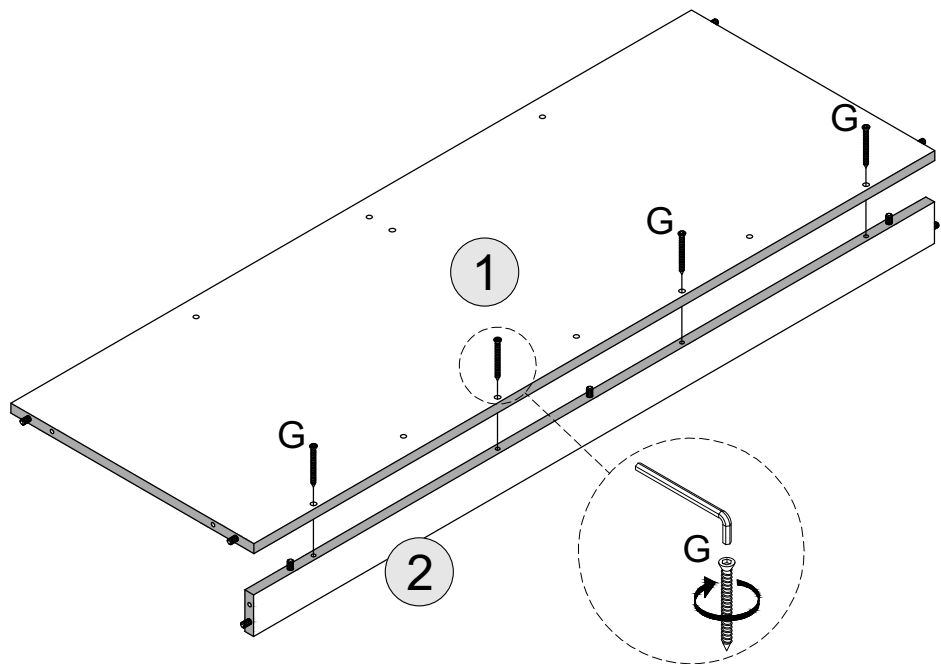
1 - TOP PANEL x1

2 - UPPER BACK RAIL x1

**HARDWARE REQUIRED**

G  04

**TOOLS REQUIRED**



# STEP 7

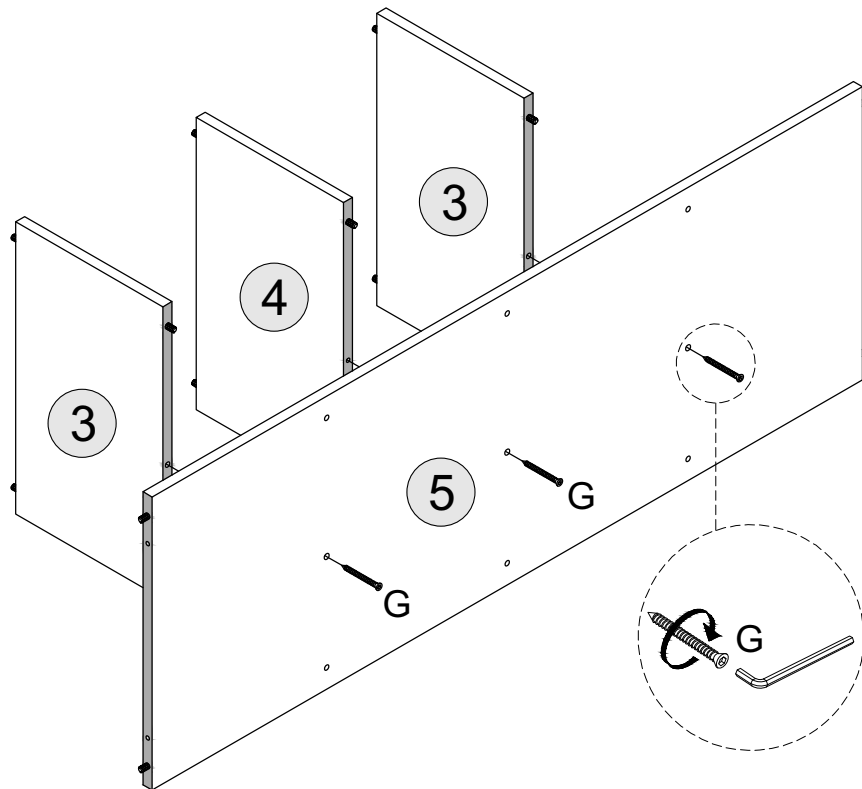
PARTS REQUIRED

3 - DIVIDER PANEL I	x2
4 - DIVIDER PANEL II	x1
5 - MIDDLE PANEL	x1

HARDWARE REQUIRED

G		03
---	---	----

TOOLS REQUIRED




# STEP 8

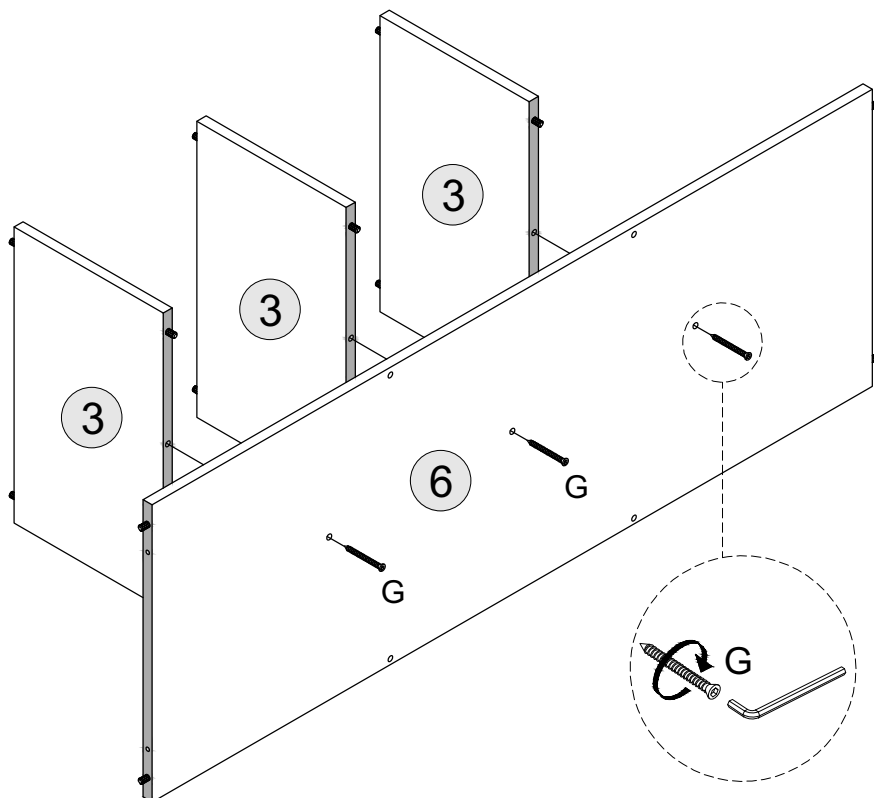
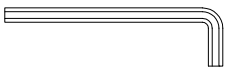
PARTS REQUIRED

3 - DIVIDER PANEL I	x3
6 - BOTTOM PANEL	x1

HARDWARE REQUIRED

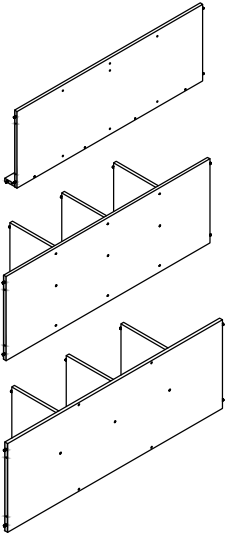
G		03
---	---	----

TOOLS REQUIRED

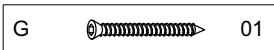


# STEP 9

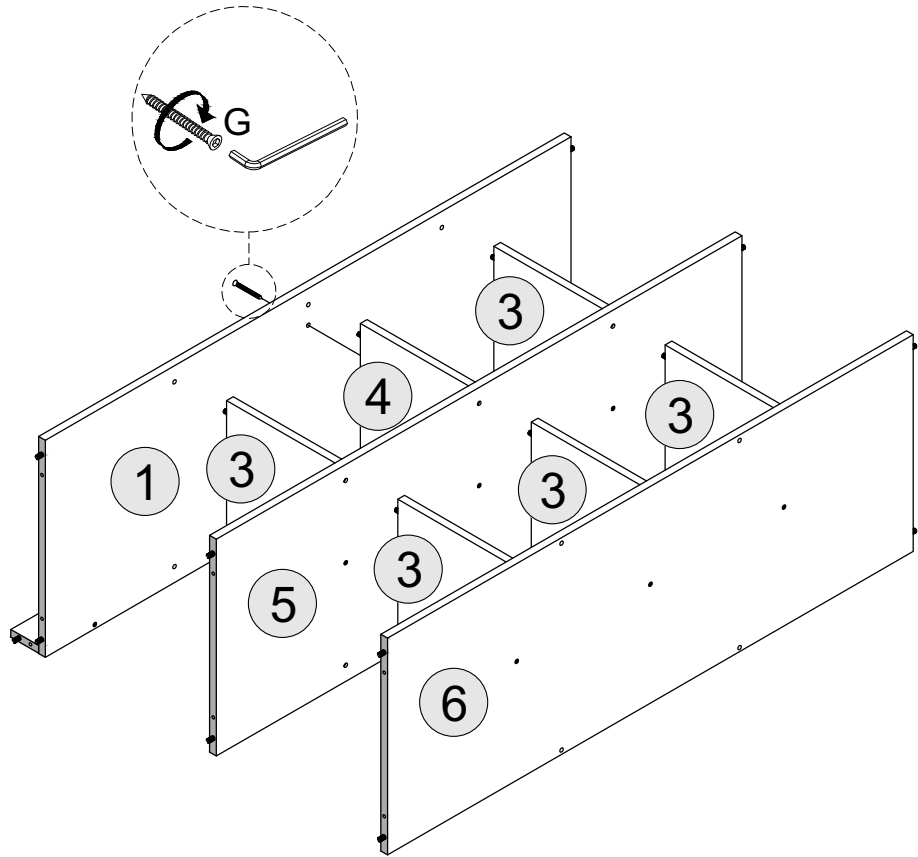
PARTS REQUIRED



HARDWARE REQUIRED



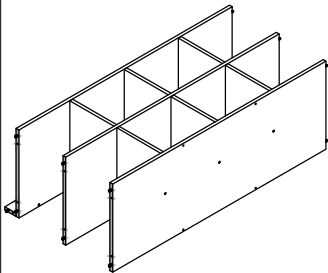
TOOLS REQUIRED



# STEP 10

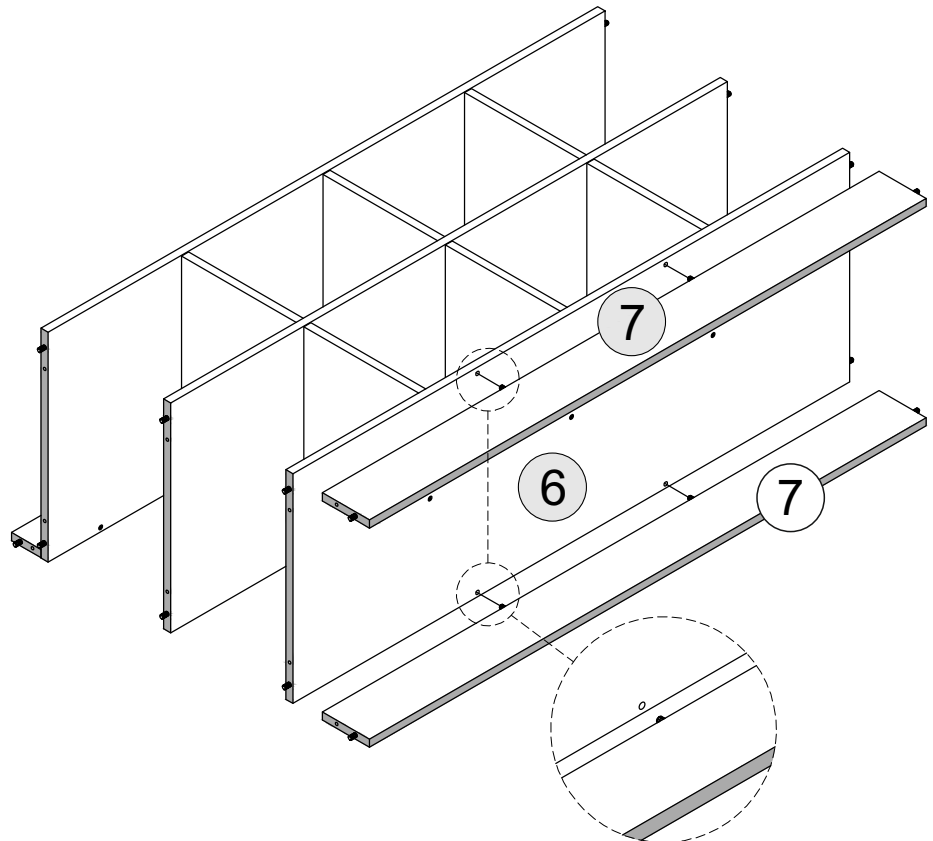
PARTS REQUIRED

7 - BASE APRON x2



HARDWARE REQUIRED

TOOLS REQUIRED

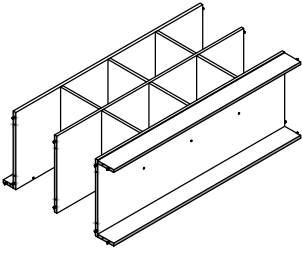




# STEP 11

PARTS REQUIRED

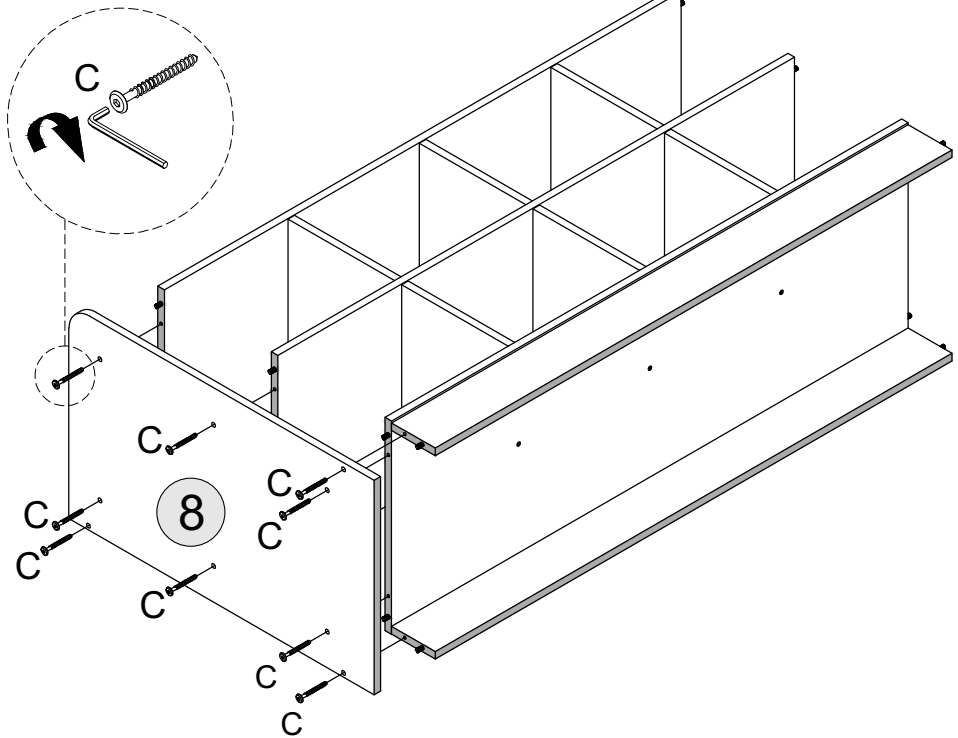
8 - SIDE PANEL - LEFT x1



HARDWARE REQUIRED

C  09

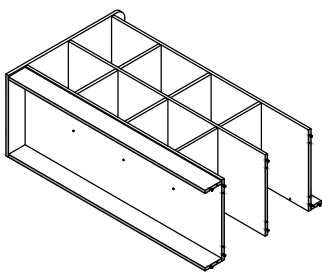
TOOLS REQUIRED



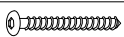
# STEP 12

PARTS REQUIRED

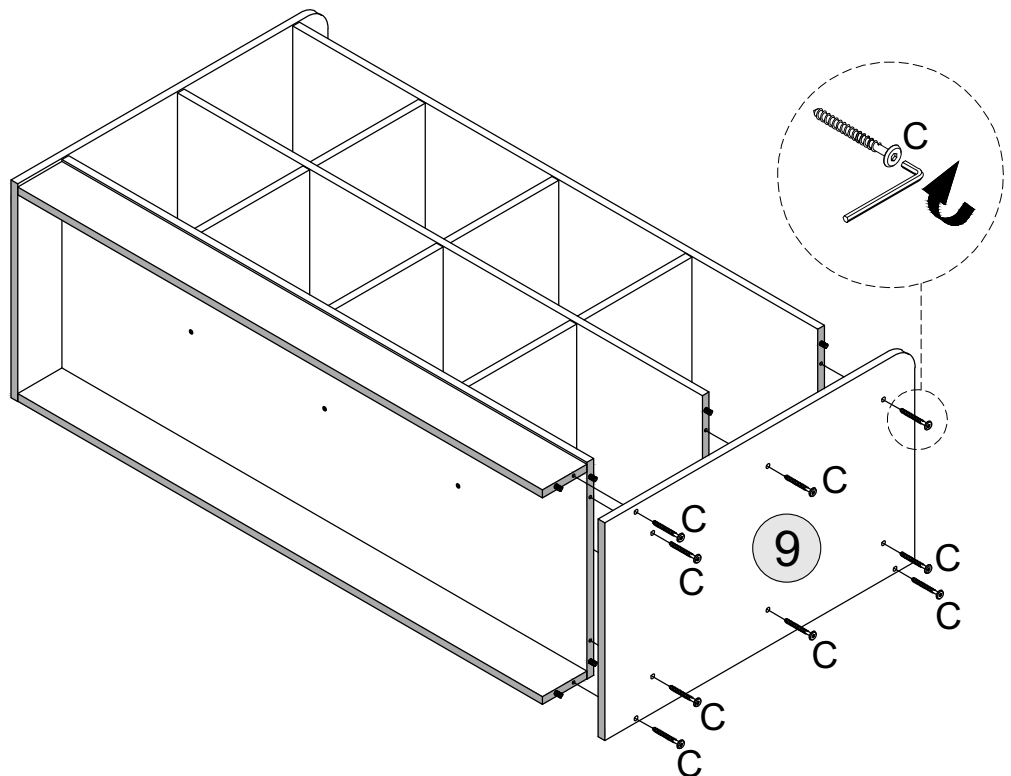
9 - SIDE PANEL - RIGHT x1



HARDWARE REQUIRED

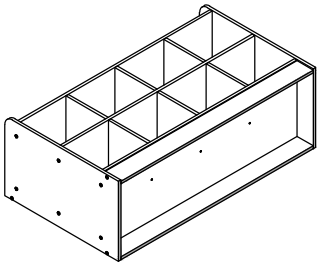
C  09

TOOLS REQUIRED

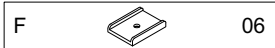
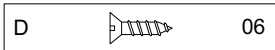


# STEP 13

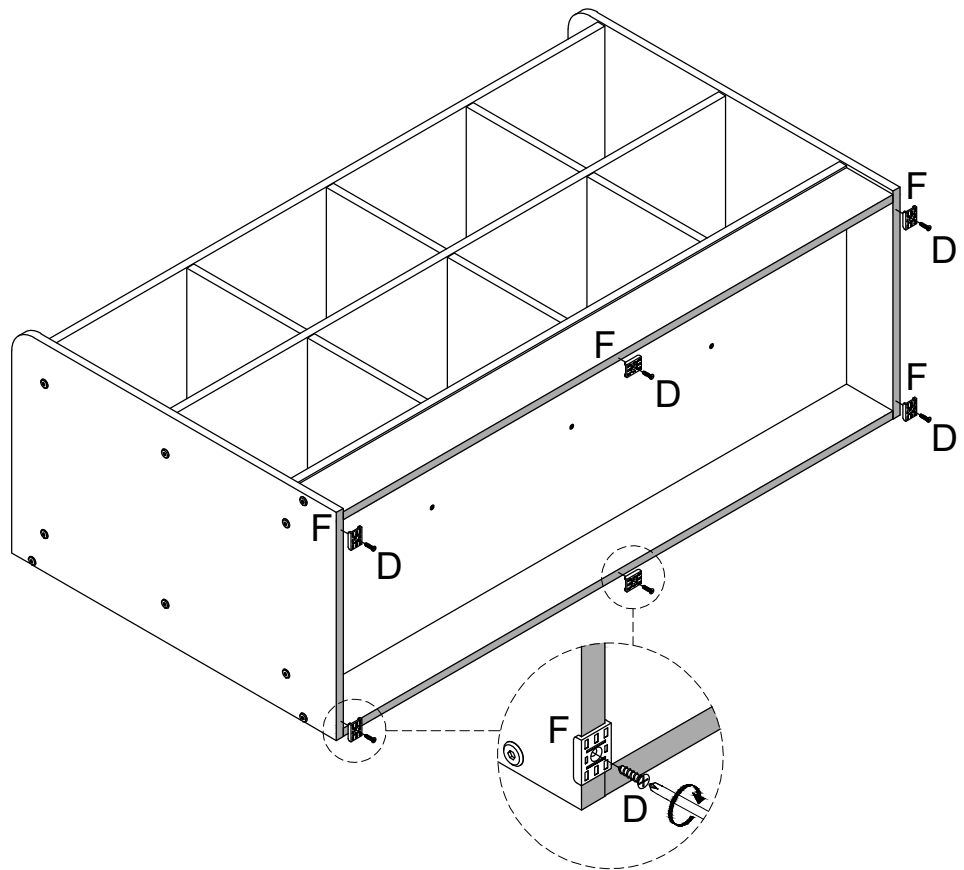
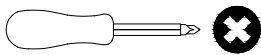
**PARTS REQUIRED**



**HARDWARE REQUIRED**

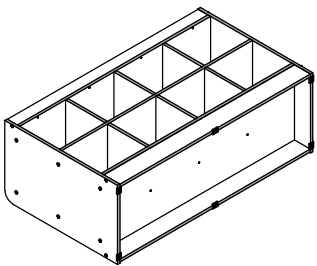


**TOOLS REQUIRED**

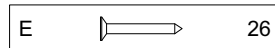


# STEP 14

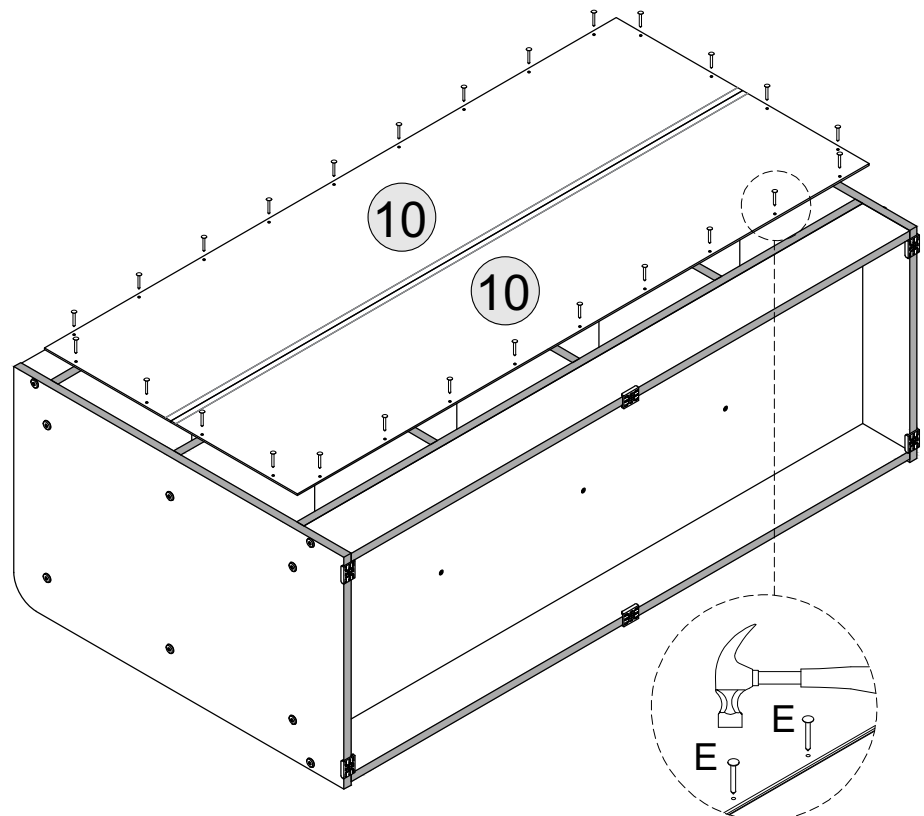
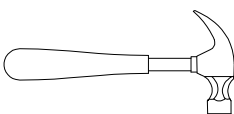
**PARTS REQUIRED**



**HARDWARE REQUIRED**



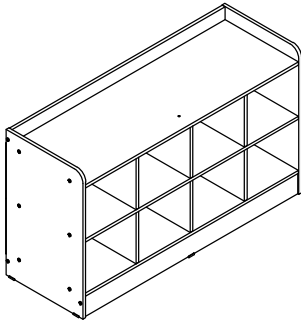
**TOOLS REQUIRED**



## STEP 15

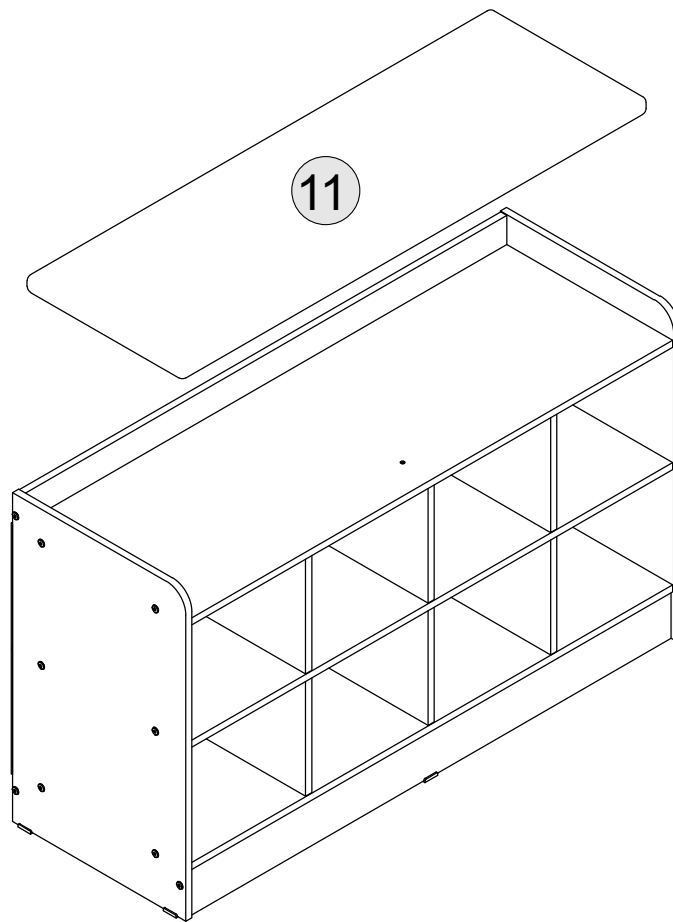
### PARTS REQUIRED

11 - CUSHION x1



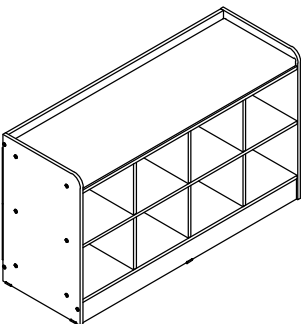
### HARDWARE REQUIRED

### TOOLS REQUIRED



## STEP 16

### PARTS REQUIRED



### HARDWARE REQUIRED

### TOOLS REQUIRED

