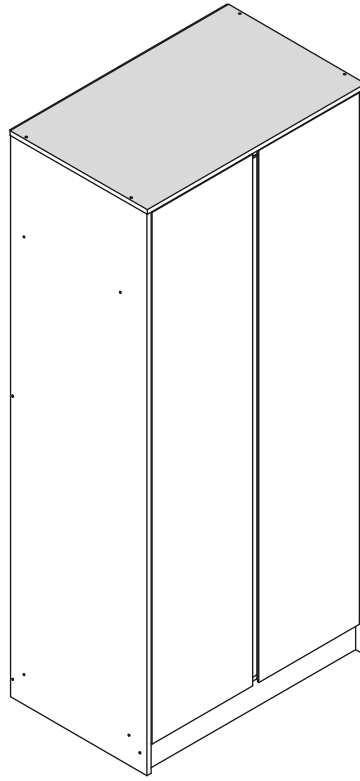


# GREY MALVERN 2 DOOR WARDROBE ASSEMBLY INSTRUCTIONS



**FOR DOMESTIC USE ONLY  
IMPORTANT**

**PLEASE READ BEFORE YOU CONTINUE FURTHER**

THE PRODUCT YOU HAVE PURCHASED WILL GIVE YOU MANY YEARS OF SERVICE IF YOU FOLLOW THE GUIDELINES FOR ITS SAFE ASSEMBLY AND PERIODIC MAINTENANCE AND CLEANING.

ASSEMBLE ON A SOFT CLEAN SURFACE.

DO NOT USE ANY TOOLS OTHER THAN THOSE SHOWN.

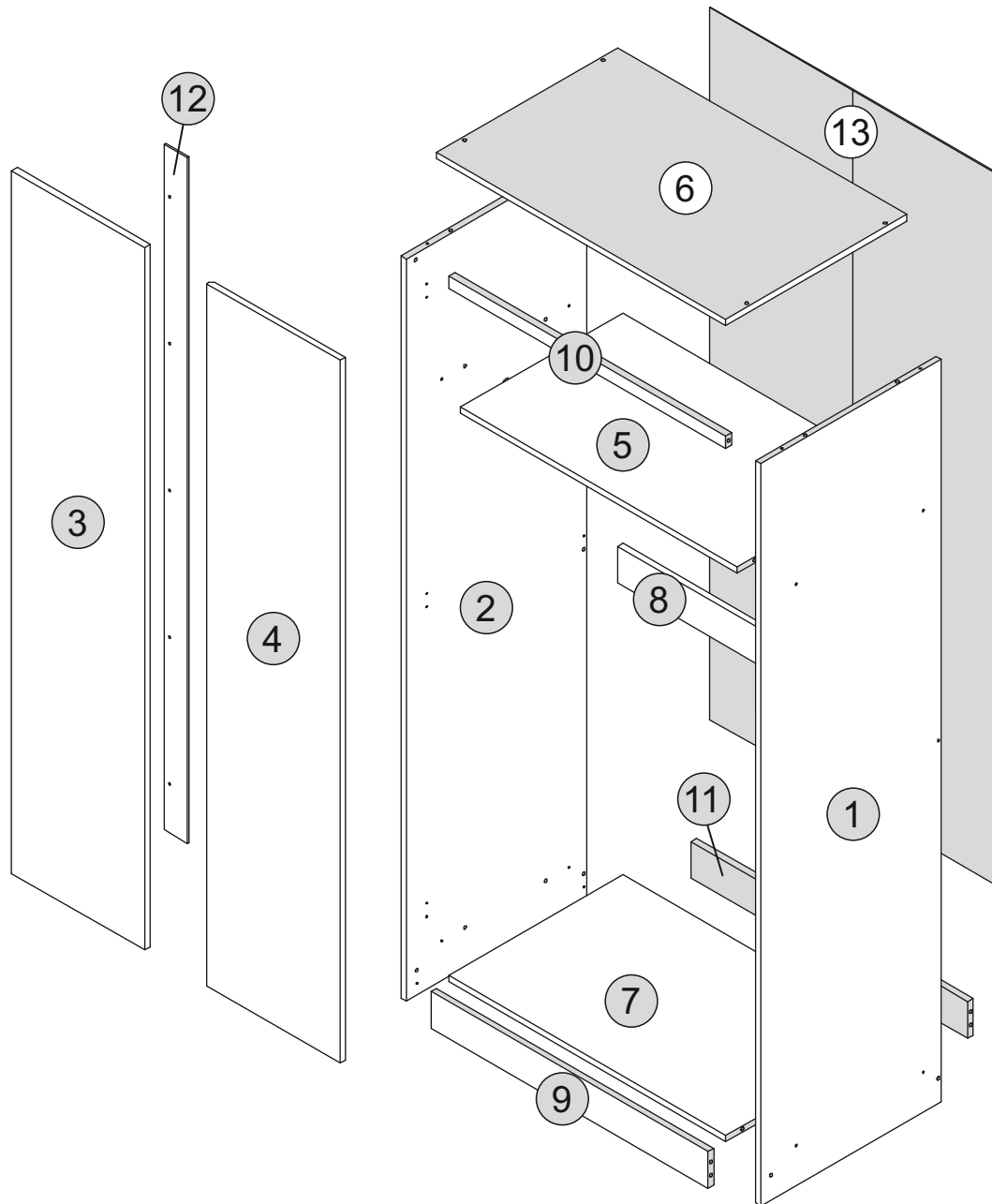
ANY SPANNERS OR ALLEN KEYS REQUIRED ARE INCLUDED WITH THE FITTING KIT.

DO NOT FOR ANY REASON USE A POWER TOOL TO ASSEMBLE THIS PRODUCT. ITS USE WILL INVALIDATE ANY CLAIM YOU MAY HAVE AND COULD MAKE THIS PRODUCT UNSAFE.

DEPENDING ON THE AMOUNT OF USE THIS PRODUCT RECEIVES, IT MAY BE NECESSARY TO TIGHTEN UP THE FIXINGS FROM TIME TO TIME. THIS IS COMPLETELY NORMAL FOR ANY FLAT PACK FURNITURE. DO NOT OVERTIGHTEN FIXINGS.

FOR CLEANING, YOU MAY USE A DAMP CLOTH (NOT WET). DO NOT USE POLISH, DETERGENT OR CHEMICAL CLEANERS.

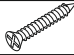


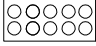



THIS SURFACE OF THIS ITEM IS NOT HEAT RESISTANT. ALWAYS USE A PLACE MAT UNDER HOT OR COLD ITEMS TO PREVENT MARKING.



## PART LIST

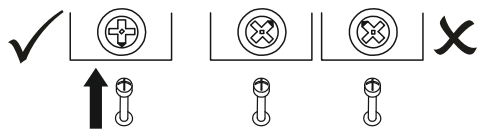
Part Number	Part Code	Part Description	Quantity	Carton
1	S100-101-170-ZF1-01	Right Side Panel	1	1/2
2	S100-101-170-ZF1-02	Left Side Panel	1	1/2
3	S100-101-170-ZF1-03	Left Door	1	1/2
4	S100-101-170-ZF1-04	Right Door	1	1/2
5	S100-101-170-ZF1-05	Shelf Panel	1	2/2
6	S100-101-170-ZF1-06	Top Panel	1	2/2
7	S100-101-170-ZF1-07	Bottom Panel	1	2/2
8	S100-101-170-ZF1-08	Back Support Panel	1	2/2
9	S100-101-170-ZF1-09	Front Crossbar	1	2/2
10	S100-101-170-ZF1-10	Support Panel	1	2/2
11	S100-101-170-ZF1-11	Back Crossbar	1	2/2
12	S100-101-170-ZF1-12	Door Support	1	1/2
13	S100-101-170-ZF1-13	Back Panel	1	1/2

# HARDWARE LIST

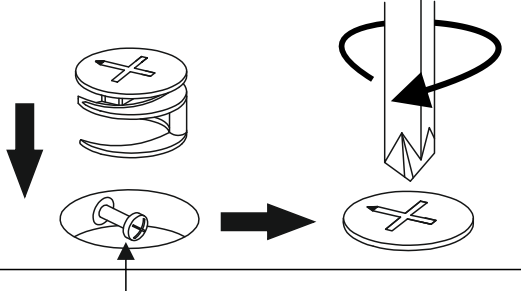
No	Part Name		Qty	Carton
A	M8x30mm Wooden Dowel		x20	1
B	M4x45mm Screw		x18	1
C	M3.5x16mm Screw		x35	1
D	PVC L-Bracket		x2	1
E	Screw Cover <small>(Sticker 12mm)</small>		x14	1
F	Plastic Foot		x5	1
G	6/8" Nail		x46	1
H	Hanging Rail (780mm)		x1	1
I	Wall Fixing <small>(4x20mm=1pc)</small>		x1	1
J	End Hinges <small>(M11)-Big</small>		x6	1

## TIPS FOR FITTINGS CAM-LOCKS

WHEN FITTING CAM NUT. ENSURE STARTING POSITION IS CORRECT BEFORE YOU INSERT CONNECTING CAM BOLT TURN CLOCKWISE UNTIL SECURE



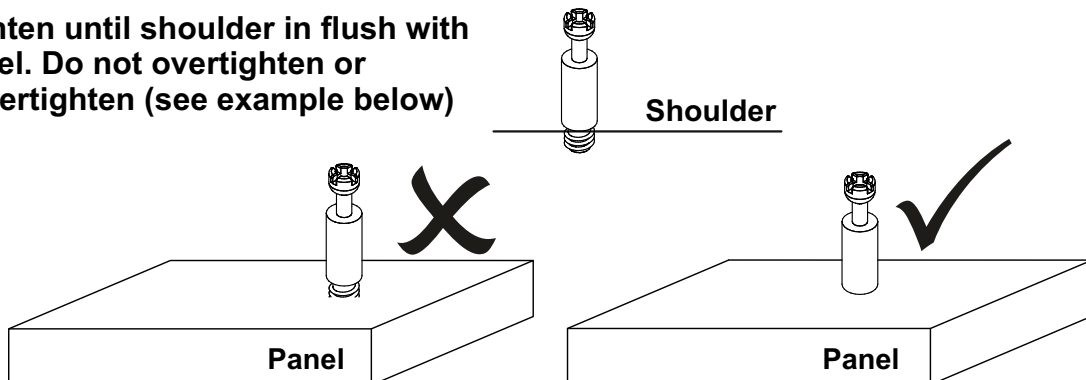
CORRECT
WRONG



**Cam bolt head needs to be in centre**

### CAMBOLT

**Tighten until shoulder in flush with panel. Do not overtighten or undertighten (see example below)**



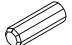


**Panel** **Panel**

# STEP 1

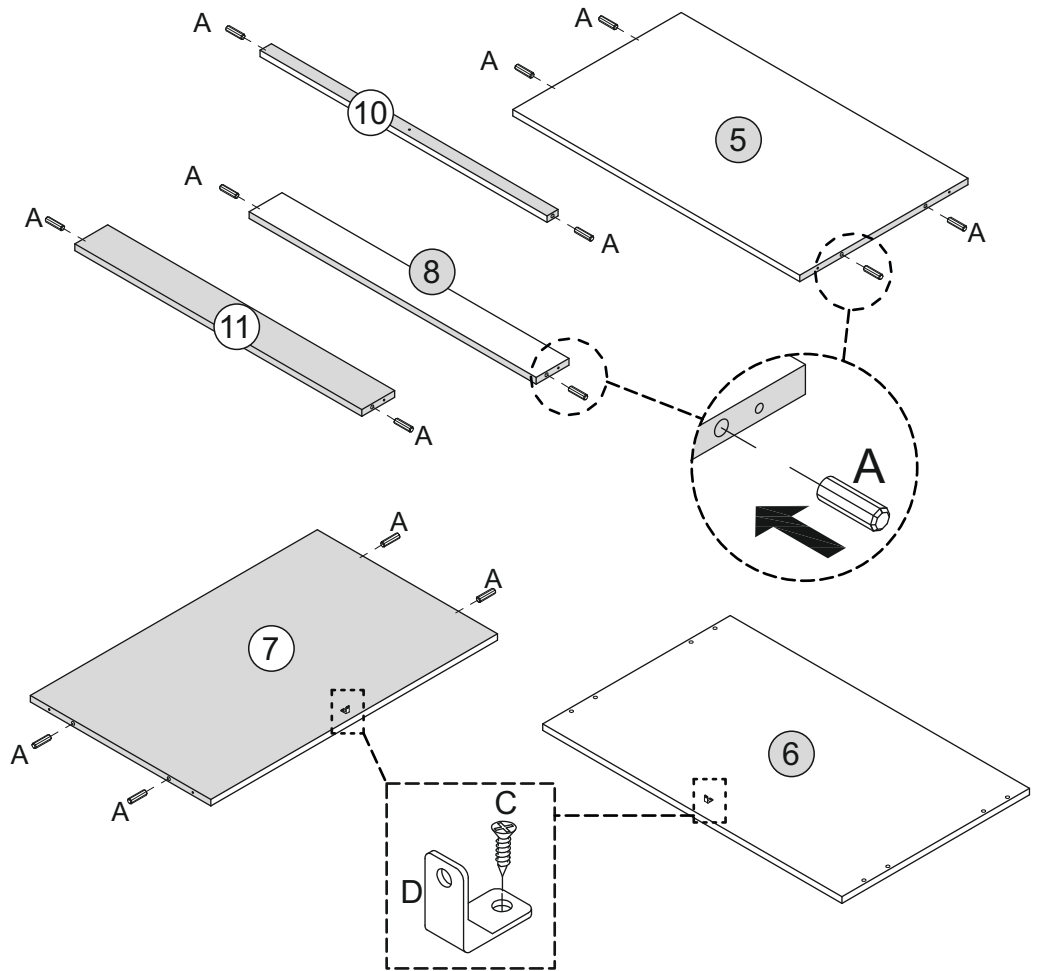
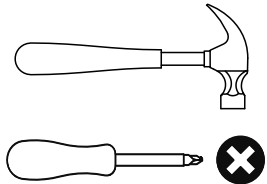
## PARTS REQUIRED

5 - SHELF PANEL	x1
6 - TOP PANEL	x1
7 - BOTTOM PANEL	x1
8 - BACK SUPPORT PANEL	x1
10 - SUPPORT PANEL	x1
11 - BACK CROSSBAR	x1

## HARDWARE REQUIRED

A		14
C		02
D		02

## TOOLS REQUIRED





# STEP 2

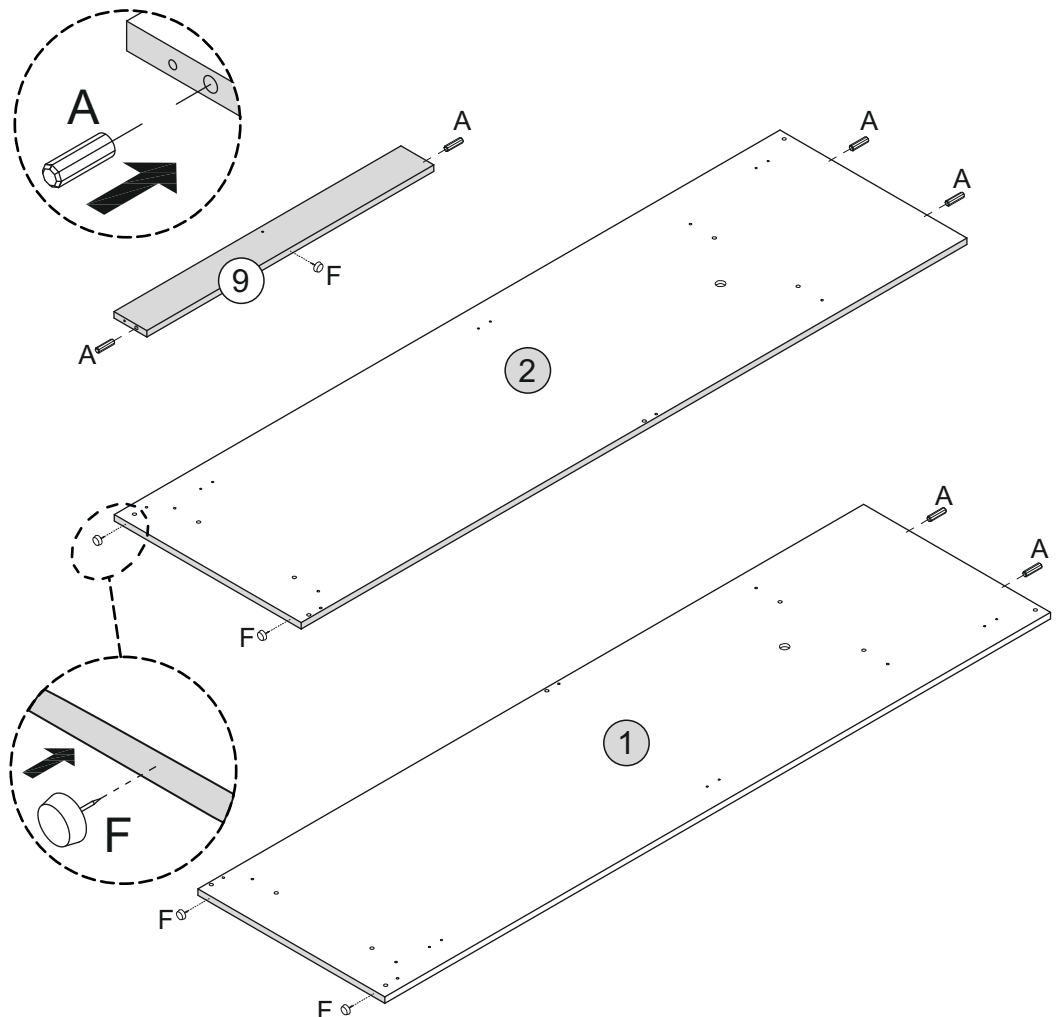
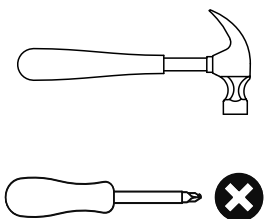
## PARTS REQUIRED

1 - RIGHT SIDE PANEL	x1
2 - LEFT SIDE PANEL	x1
9 - FRONT CROSSBAR	x1

## HARDWARE REQUIRED

A		06
F		05

## TOOLS REQUIRED





# STEP 3

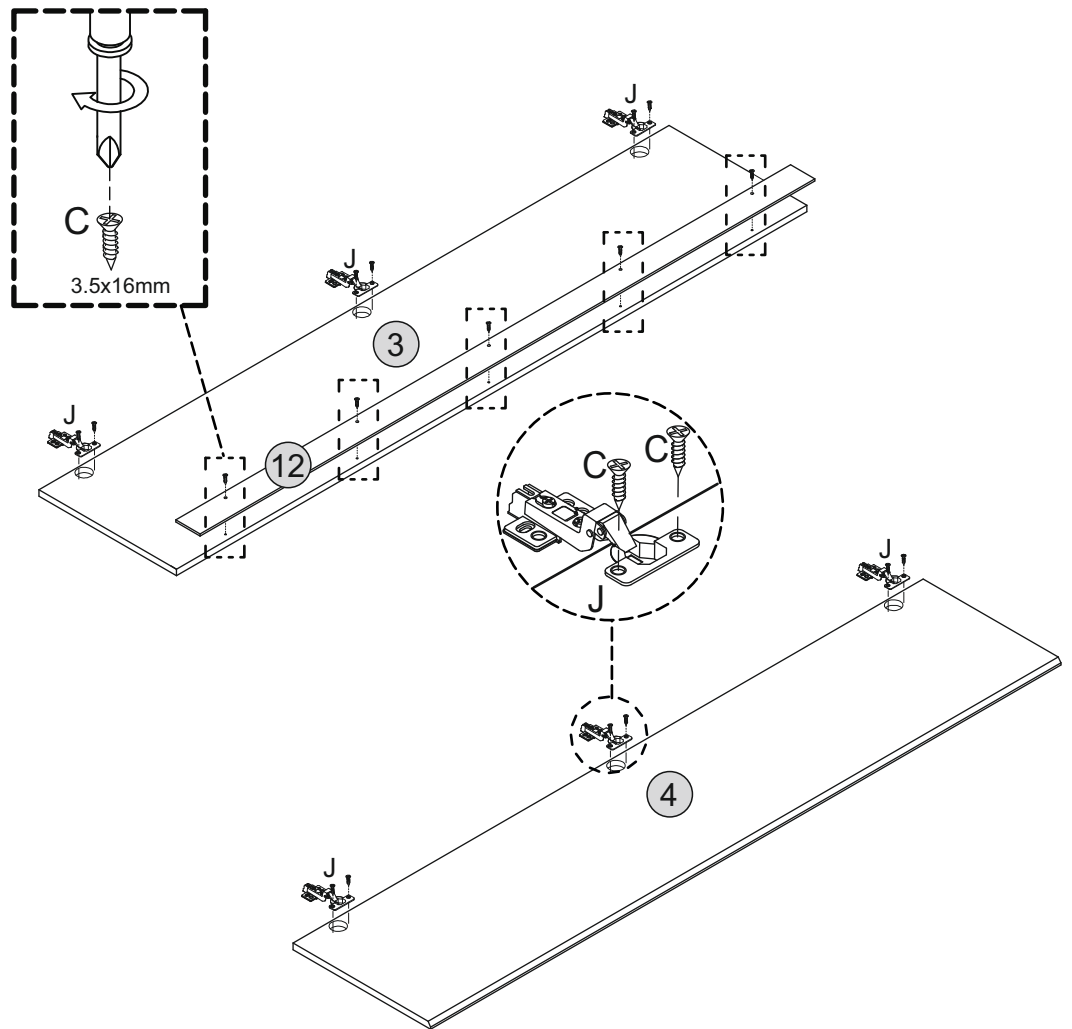
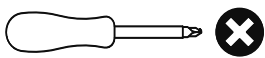
## PARTS REQUIRED

3 - LEFT DOOR	x1
4 - RIGHT DOOR	x1
12 - DOOR SUPPORT	x1

## HARDWARE REQUIRED

C	 3.5x16mm	17
J		06

## TOOLS REQUIRED





# STEP 4

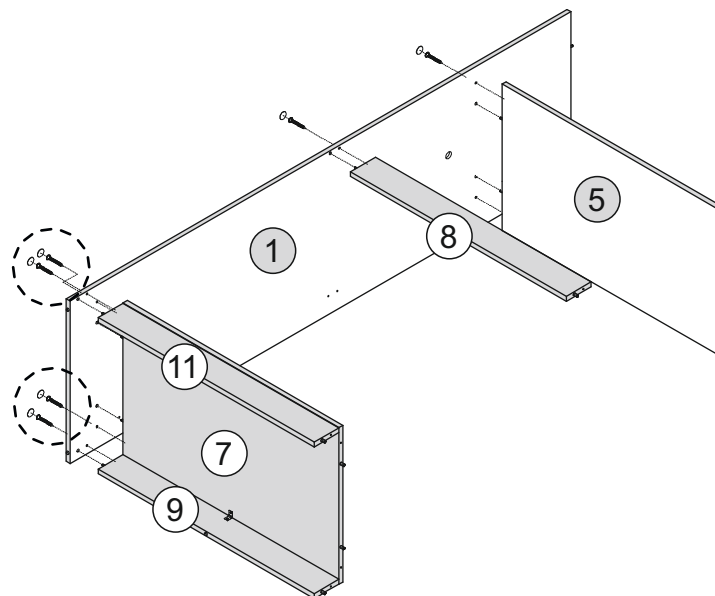
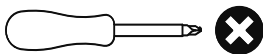
## PARTS REQUIRED

1 - RIGHT SIDE PANEL	x1
5 - SHELF PANEL	x1
7 - BOTTOM PANEL	x1
8 - BACK SUPPORT PANEL	x1
9 - FRONT CROSSBAR	x1
11 - BACK CROSSBAR	x1

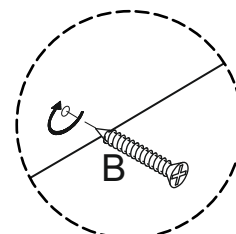
## HARDWARE REQUIRED

B	 4x45mm	07
E		07

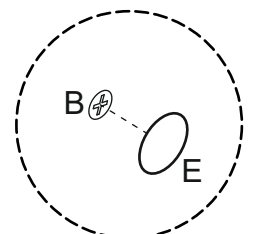
## TOOLS REQUIRED



### STEP 1



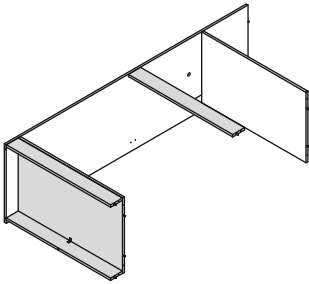
### STEP 2




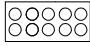
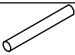
# STEP 5

## PARTS REQUIRED

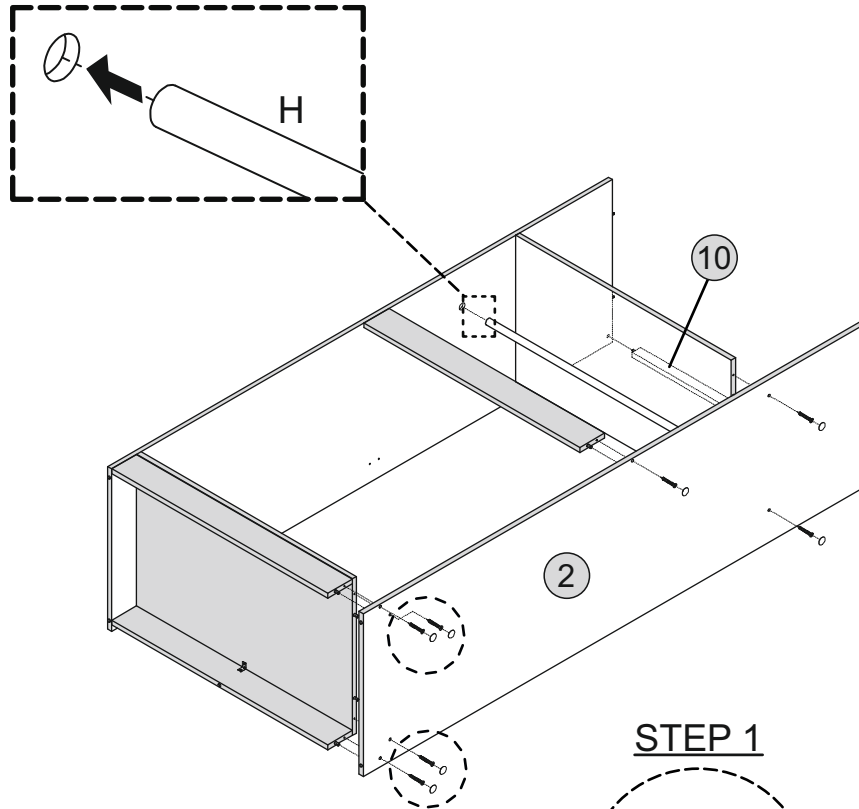
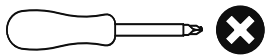
- 2 - LEFT SIDE PANEL x1
- 10 - SUPPORT PANEL x1



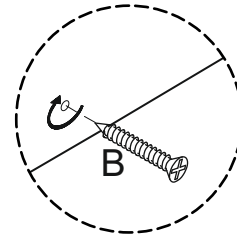
## HARDWARE REQUIRED

- B  07
- E  07
- H  01

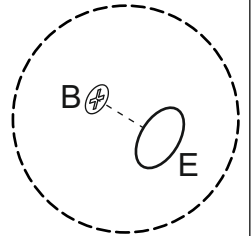
## TOOLS REQUIRED



### STEP 1



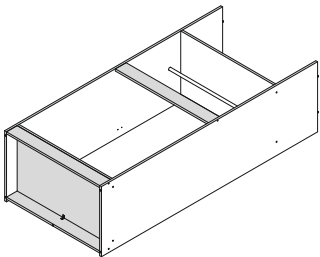
### STEP 2



# STEP 6

## PARTS REQUIRED

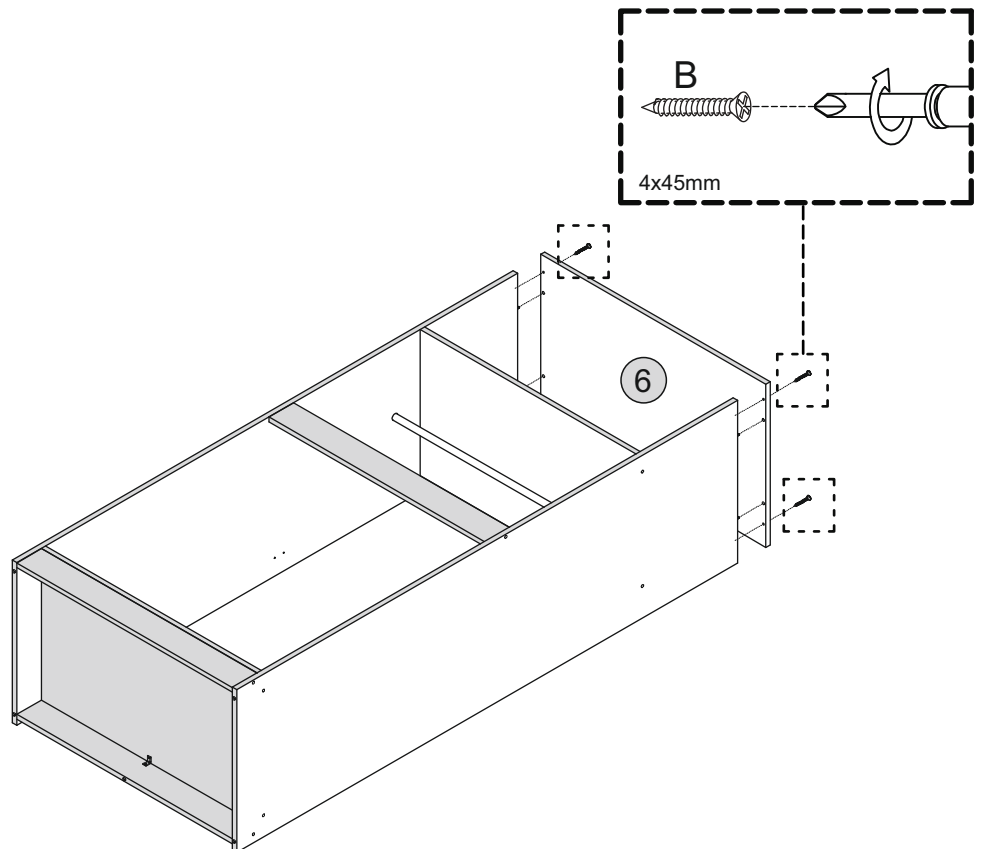
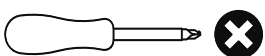
- 6 - TOP PANEL x1



## HARDWARE REQUIRED

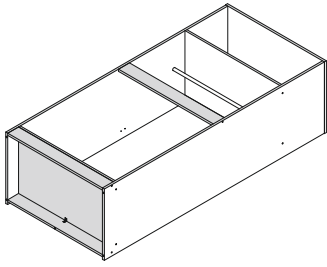
- B  04

## TOOLS REQUIRED

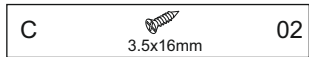


# STEP 7

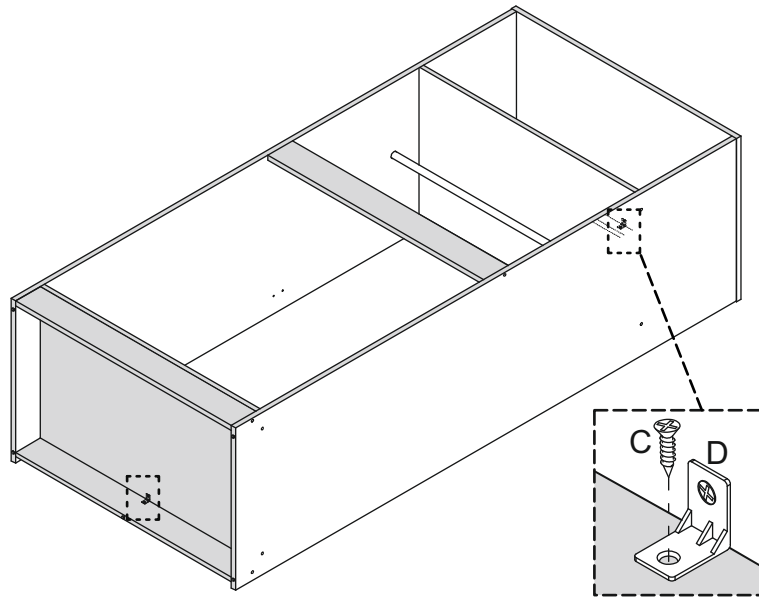
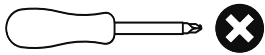
PARTS REQUIRED



HARDWARE REQUIRED

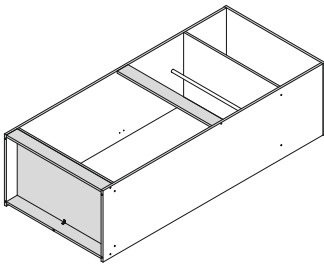


TOOLS REQUIRED

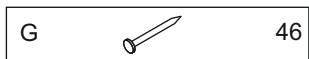
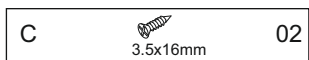


# STEP 8

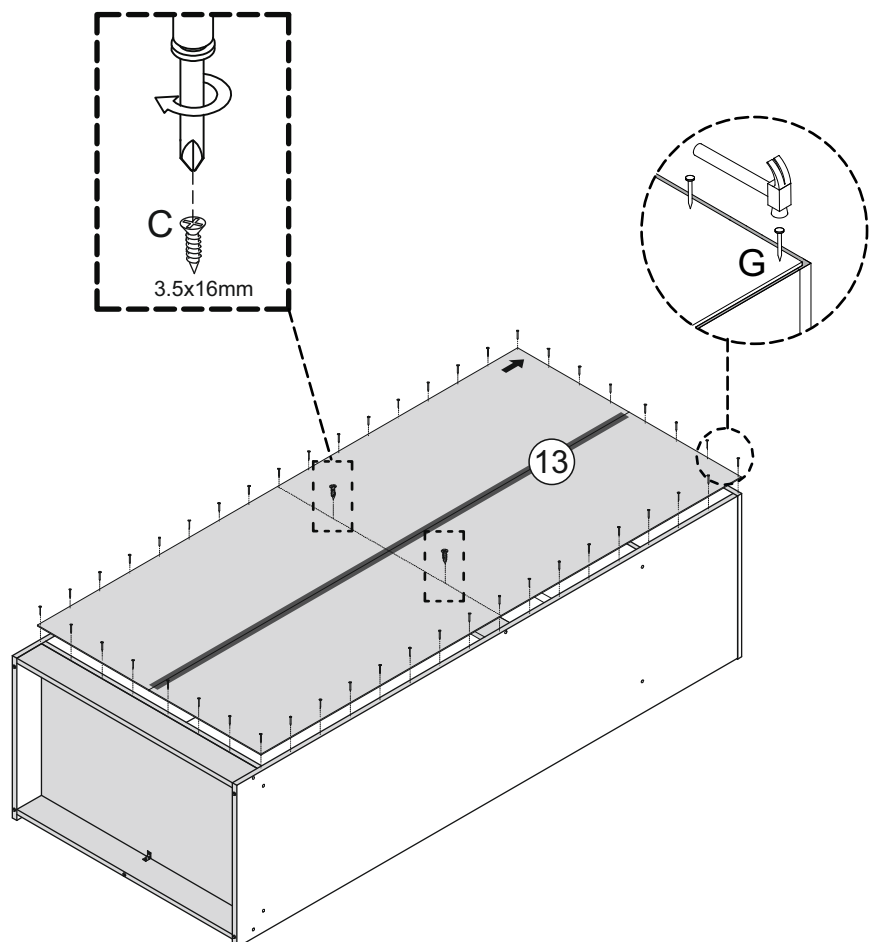
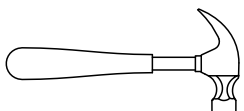
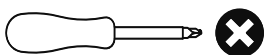
PARTS REQUIRED



HARDWARE REQUIRED



TOOLS REQUIRED

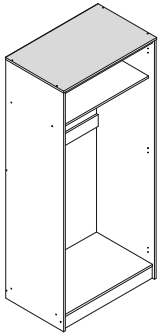


# STEP 9

## PARTS REQUIRED

3 - LEFT DOOR x1

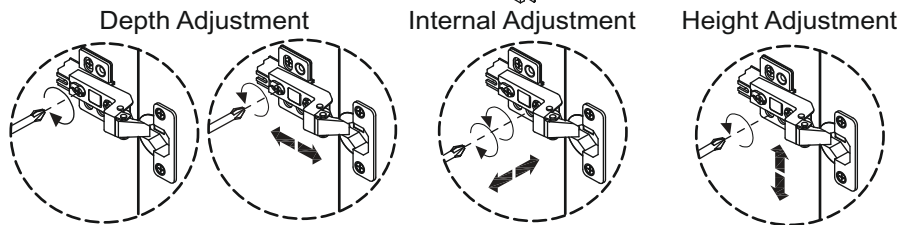
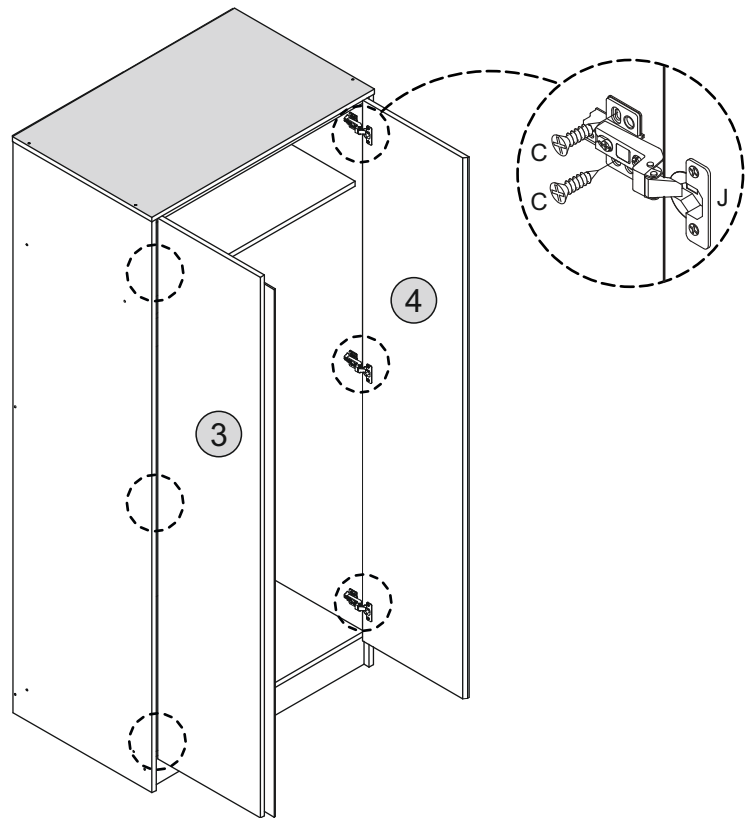
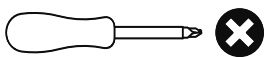
4 - RIGHT DOOR x1



## HARDWARE REQUIRED

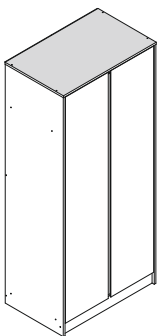
C 3.5x16mm 12

## TOOLS REQUIRED



# STEP 10

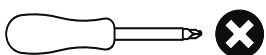
## PARTS REQUIRED



## HARDWARE REQUIRED

I 01

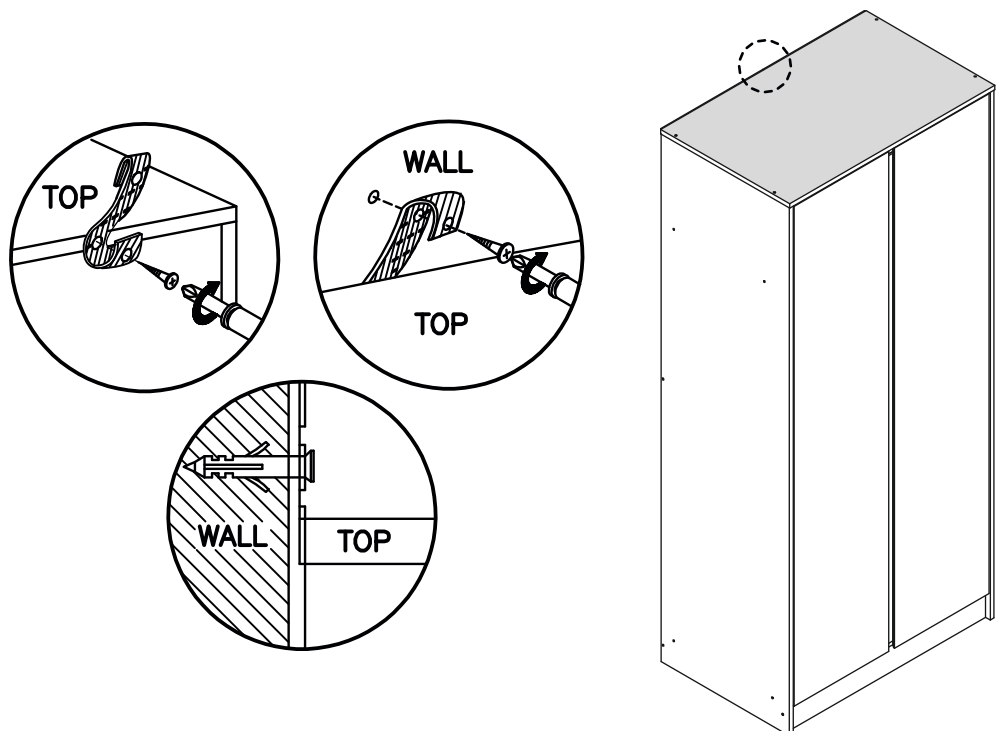
## TOOLS REQUIRED



## WARNING

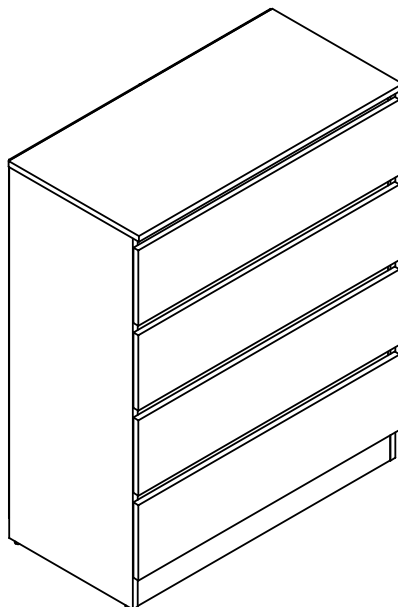
**Serious or fatal injuries can occur from furniture tipping over. To prevent the furniture from tipping over we recommend that it is permanently fixed to the wall.**

Wall fixings are not supplied with this product as different wall materials require different types of fixing devices. Please make sure you use fixings suitable for the walls in your home.





# GREY MALVERN 4 DRAWER CHEST ASSEMBLY INSTRUCTIONS



## FOR DOMESTIC USE ONLY

### IMPORTANT

### PLEASE READ BEFORE YOU CONTINUE FURTHER

THE PRODUCT YOU HAVE PURCHASED WILL GIVE YOU MANY YEARS OF SERVICE IF YOU FOLLOW THE GUIDELINES FOR ITS SAFE ASSEMBLY AND PERIODIC MAINTENANCE AND CLEANING.

ASSEMBLE ON A SOFT CLEAN SURFACE.

DO NOT USE ANY TOOLS OTHER THAN THOSE SHOWN.

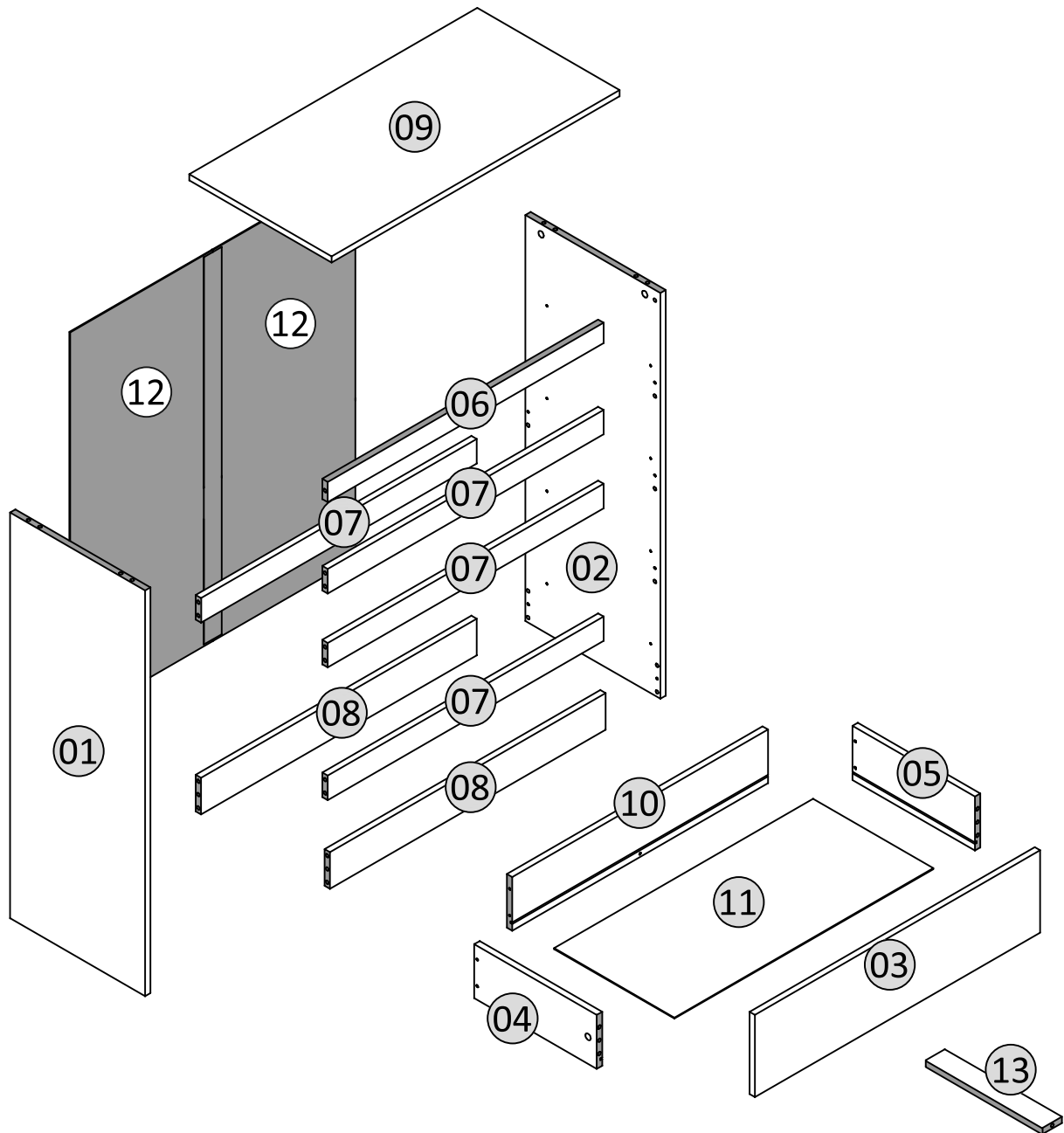
ANY SPANNERS OR ALLEN KEYS REQUIRED ARE INCLUDED WITH THE FITTING KIT.

DO NOT FOR ANY REASON USE A POWER TOOL TO ASSEMBLE THIS PRODUCT. ITS USE WILL INVALIDATE ANY CLAIM YOU MAY HAVE AND COULD MAKE THIS PRODUCT UNSAFE.

DEPENDING ON THE AMOUNT OF USE THIS PRODUCT RECEIVES. IT MAY BE NECESSARY TO TIGHTEN UP THE FIXINGS FROM TIME TO TIME. THIS IS COMPLETELY NORMAL FOR ANY FLAT PACK FURNITURE. DO NOT OVERTIGHTEN FIXINGS.

FOR CLEANING, YOU MAY USE A DAMP CLOTH (NOT WET). DO NOT USE POLISH, DETERGENT OR CHEMICAL CLEANERS.

THIS SURFACE OF THIS ITEM IS NOT HEAT RESISTANT. ALWAYS USE A PLACE MAT UNDER HOT OR COLD ITEMS TO PREVENT MARKING.



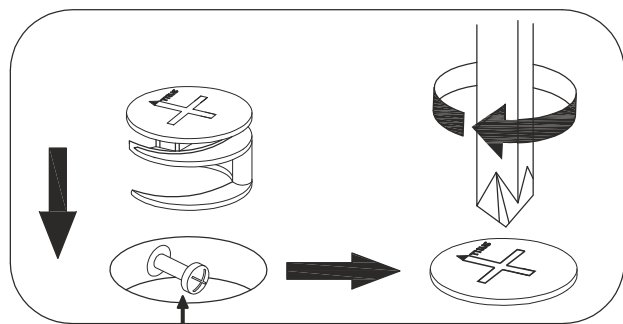
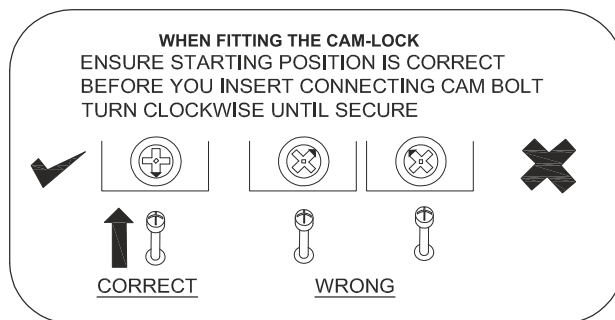
## PART LIST

<b>Part Number</b>	<b>Part Code</b>	<b>Part Description</b>	<b>Quantity</b>	<b>Carton</b>
01	S100-102-133-ZF1-01	Left Panel	1	1/2
02	S100-102-133-ZF1-02	Right Panel	1	1/2
03	S100-102-133-ZF1-03	Drawer Front	4	1/2
04	S100-102-133-ZF1-04	Drawer Left Panel	4	2/2
05	S100-102-133-ZF1-05	Drawer Right Panel	4	2/2
06	S100-102-133-ZF1-06	Top Support Panel	1	2/2
07	S100-102-133-ZF1-07	Centre Support Panel	4	2/2
08	S100-102-133-ZF1-08	Bottom Support Panel	2	2/2
09	S100-102-133-ZF1-09	Top Panel	1	1/2
10	S100-102-133-ZF1-10	Drawer Back Panel	4	2/2
11	S100-102-133-ZF1-11	Drawer Bottom Panel	4	1/2
12	S100-102-133-ZF1-12	Back Panel	2	1/2
13	S100-102-133-ZF1-13	Drawer Support Panel	4	1/2

# HARDWARE LIST

No.	Part Name		Qty
A	Cam Nut		28
B	Cam Bolt		28
C	M8 x 25mm Wood Dowel		38
D	38mm Chipboard Screw		20
E	14mm Chipboard Screw		44
F	14" Drawer Slide		4 sets
G	PVC L Braket		1
H	Plastic Foot		4
J	18mm Panel Pin		45
K	Wall Fittings (4 x 20mm x 1)		1

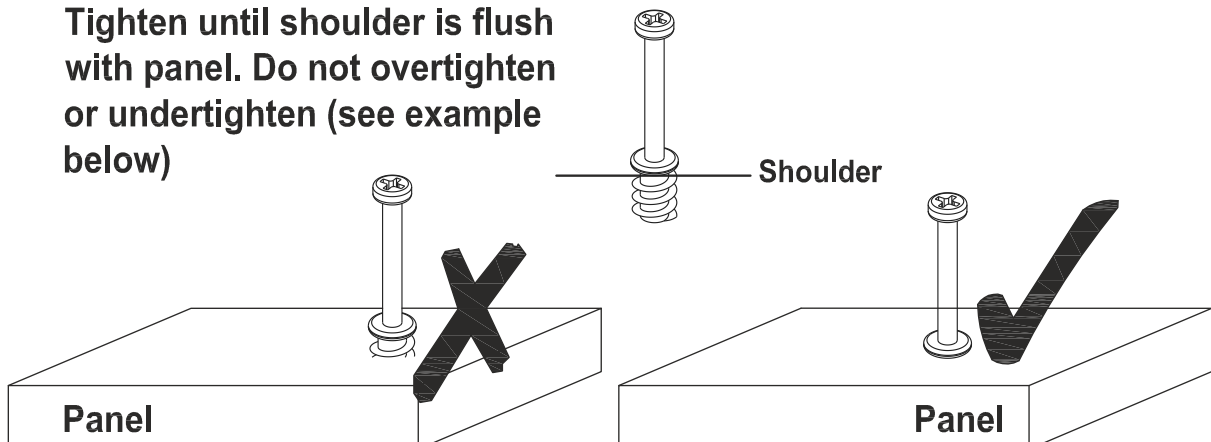
## TIPS FOR FITTING CAM-LOCKS



Cam bolt head needs to be in centre

### CAMBOLT

Tighten until shoulder is flush with panel. Do not overtighten or undertighten (see example below)



# STEP 1

## PARTS REQUIRED

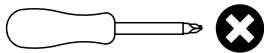
01 - LEFT PANEL x1

## HARDWARE REQUIRED

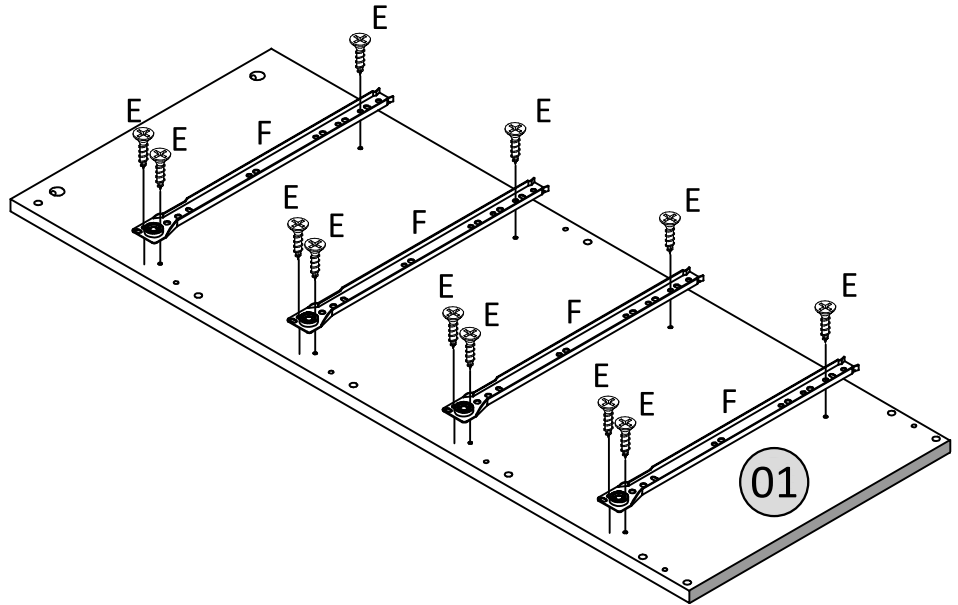
E  12

F  04

## TOOLS REQUIRED



To Assemble the Drawer Slide, Please Follow Step as Below



# STEP 2

## PARTS REQUIRED

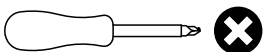
02 - RIGHT PANEL x1

## HARDWARE REQUIRED

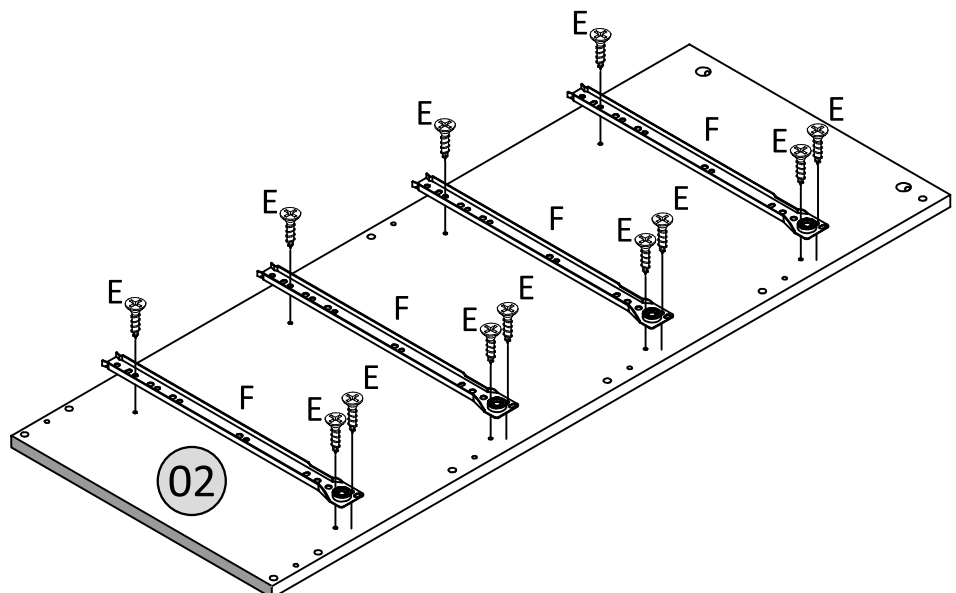
E  12

F  04

## TOOLS REQUIRED



To Assemble the Drawer Slide, Please Follow Step as Below


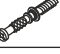



# STEP 3

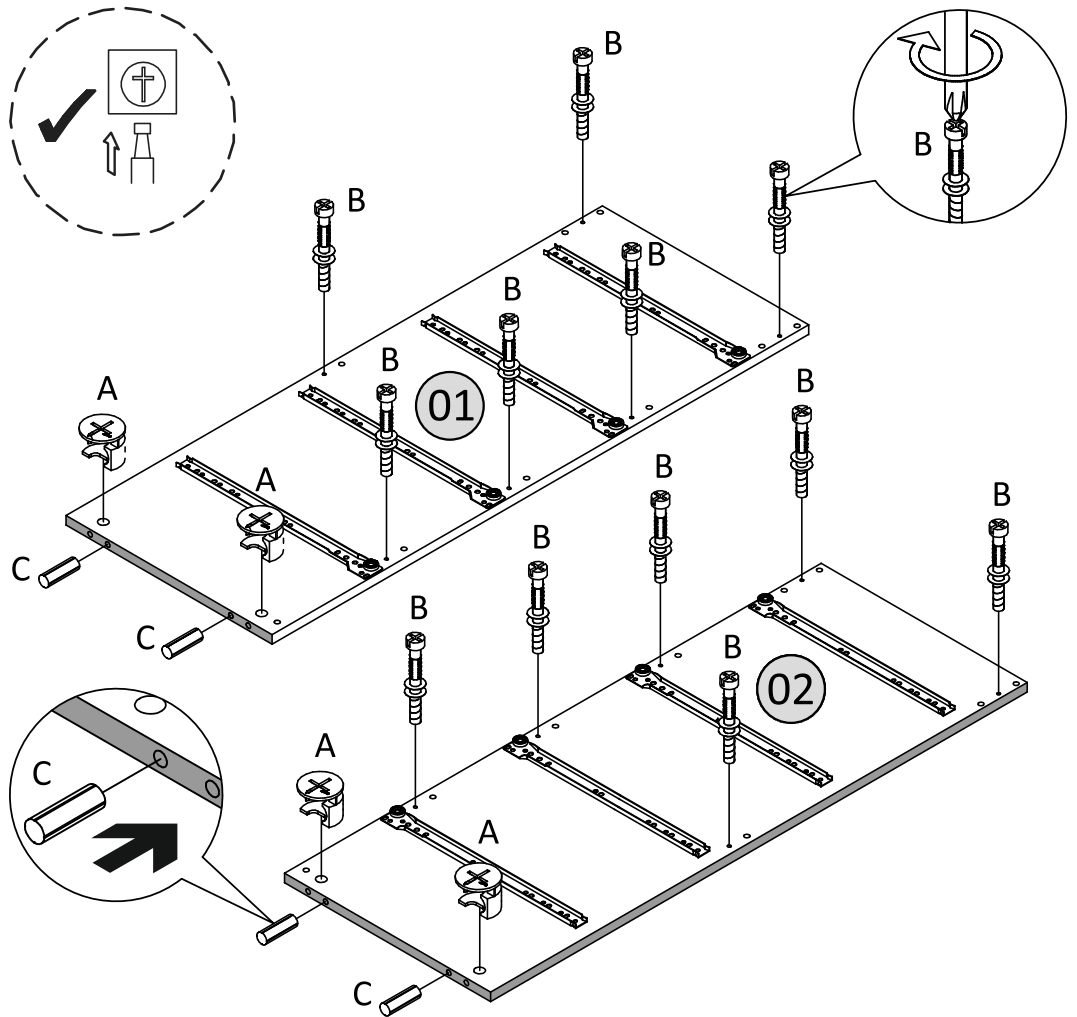
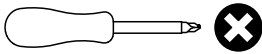
## PARTS REQUIRED

01 - LEFT PANEL	x1
02 - RIGHT PANEL	x1

## HARDWARE REQUIRED

A		04
B		12
C		04

## TOOLS REQUIRED


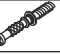
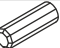


# STEP 4

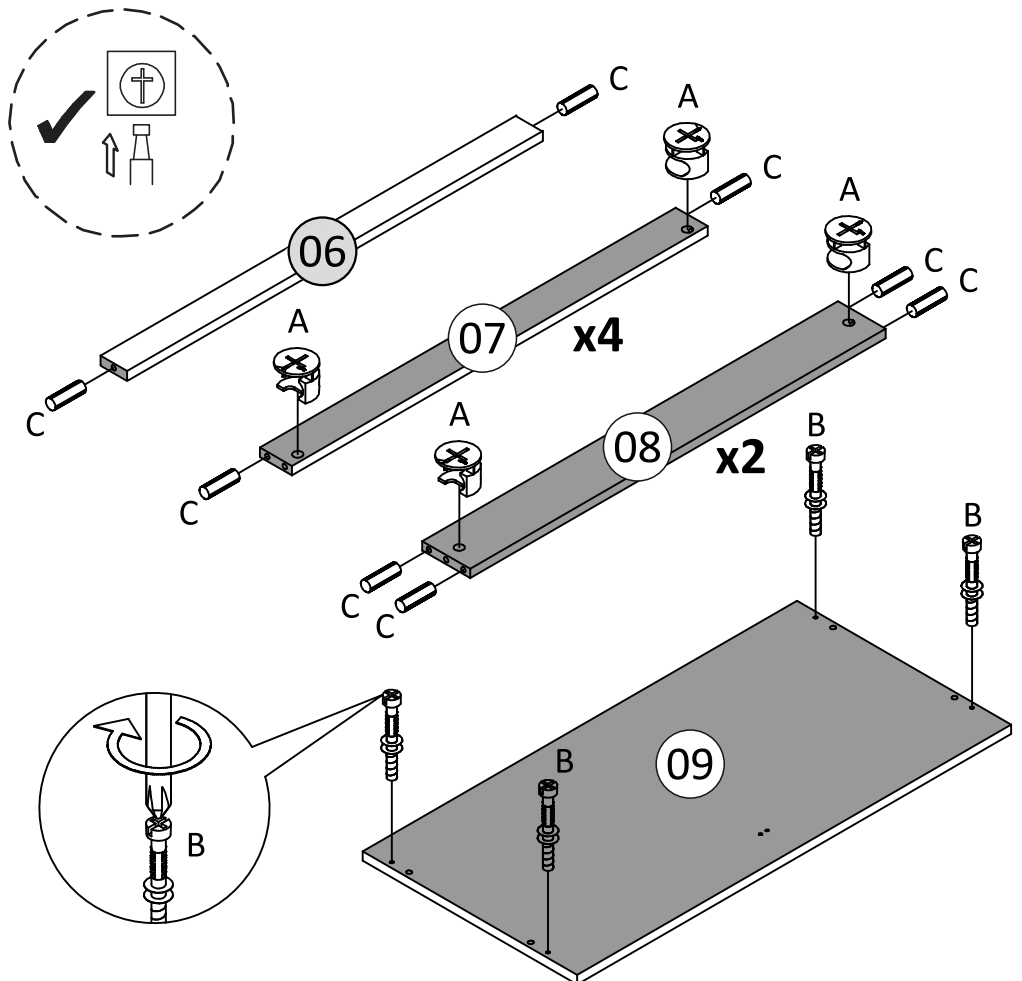
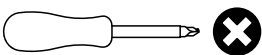
## PARTS REQUIRED

06 - TOP SUPPORT PANEL	x1
07 - CENTRE SUPPORT PANEL	x4
08 - BOTTOM SUPPORT PANEL	x2
09 - TOP PANEL	x1

## HARDWARE REQUIRED

A		12
B		04
C		18

## TOOLS REQUIRED



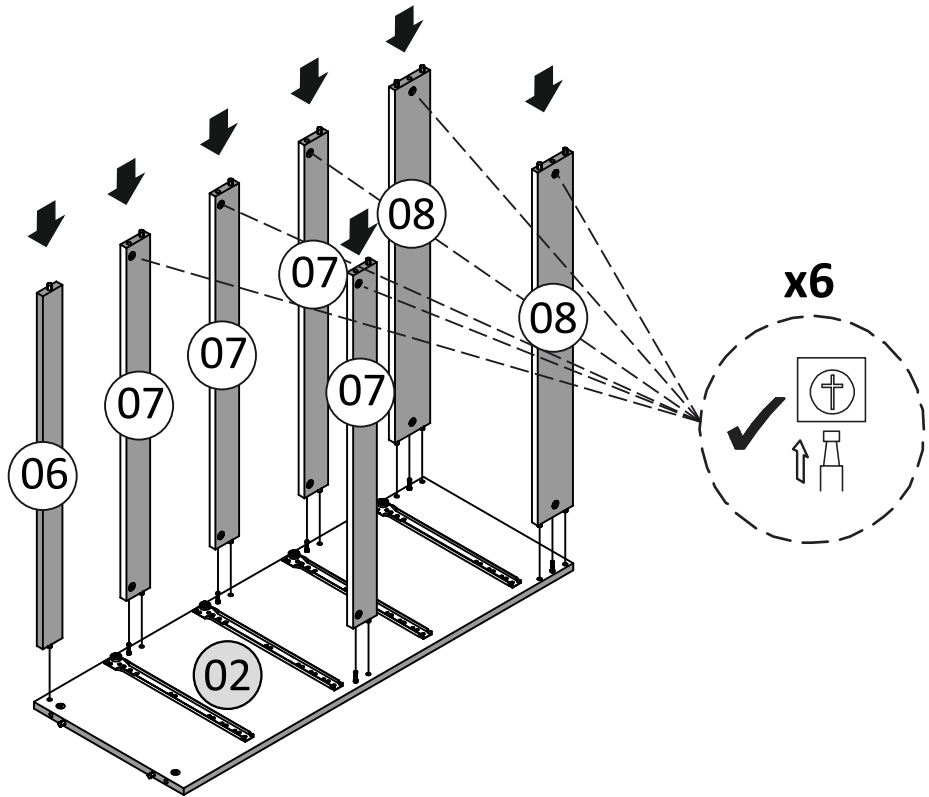
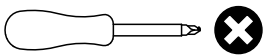
# STEP 5

## PARTS REQUIRED

- 02 - RIGHT PANEL x1
- 06 - TOP SUPPORT PANEL x1
- 07 - CENTRE SUPPORT PANEL x4
- 08 - BOTTOM SUPPORT PANEL x2

## HARDWARE REQUIRED

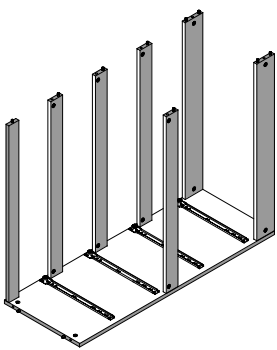
## TOOLS REQUIRED



# STEP 6

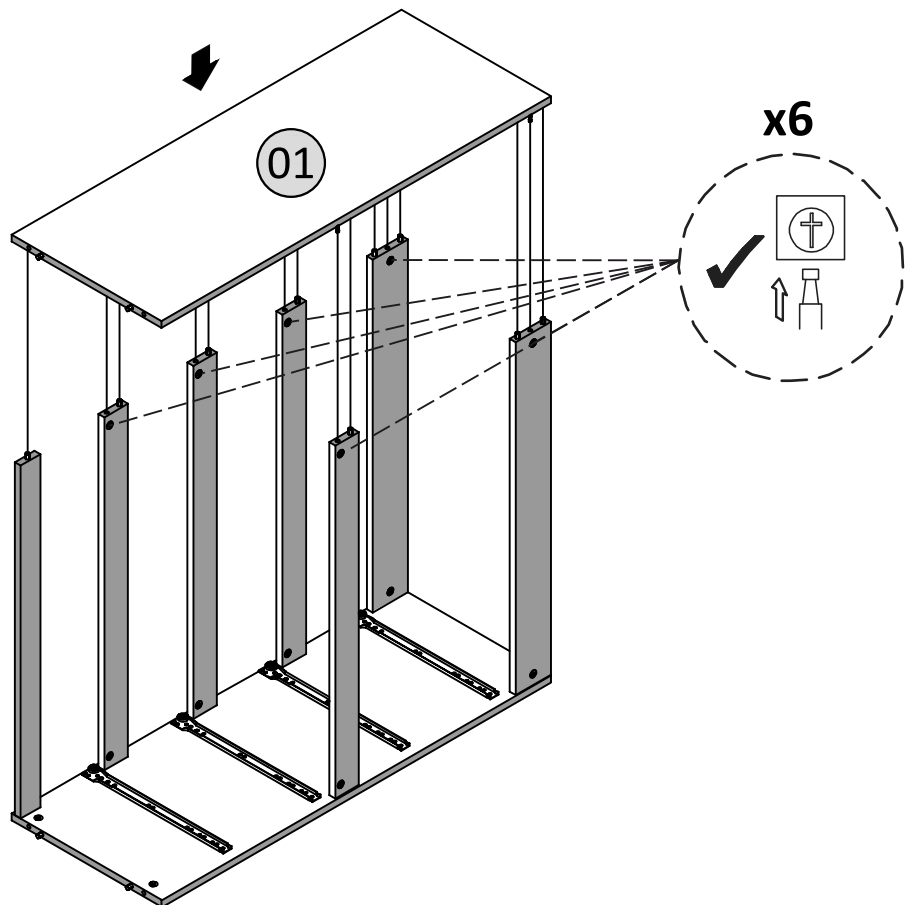
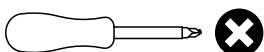
## PARTS REQUIRED

- 01 - LEFT PANEL x1



## HARDWARE REQUIRED

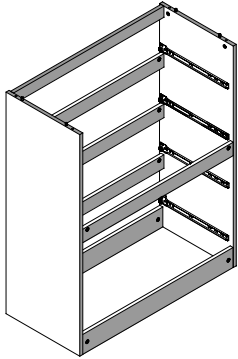
## TOOLS REQUIRED



# STEP 7

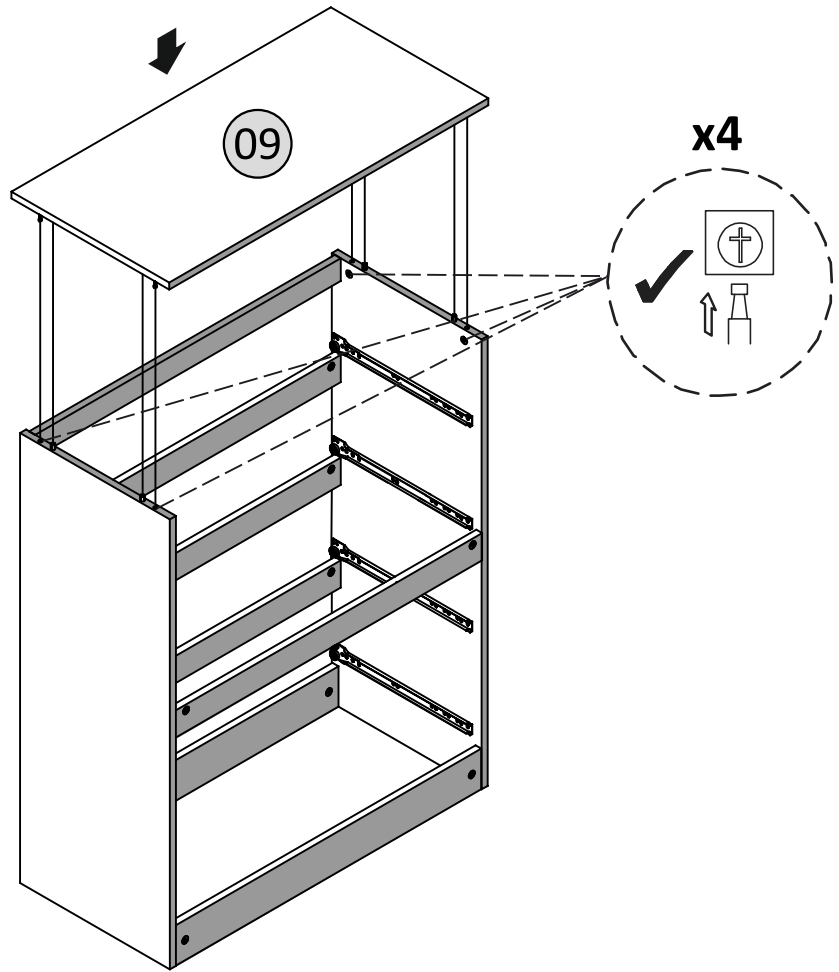
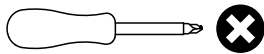
## PARTS REQUIRED

09 - TOP PANEL x1



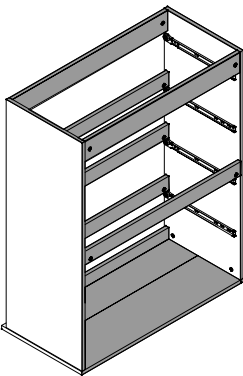
## HARDWARE REQUIRED

## TOOLS REQUIRED




# STEP 8

## PARTS REQUIRED

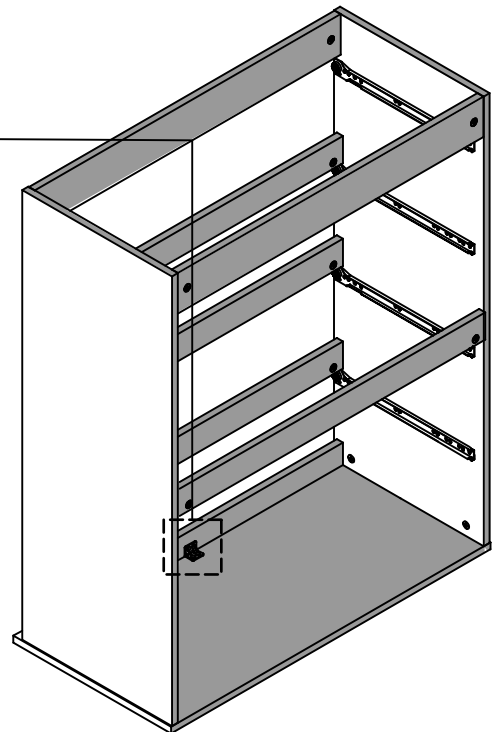
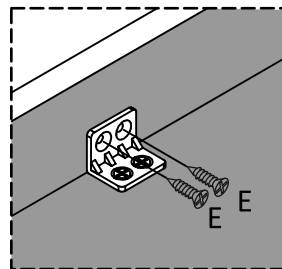
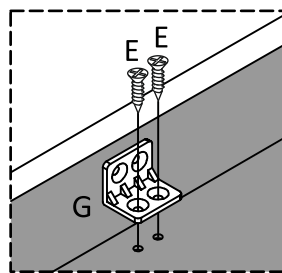
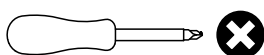


## HARDWARE REQUIRED

E  04

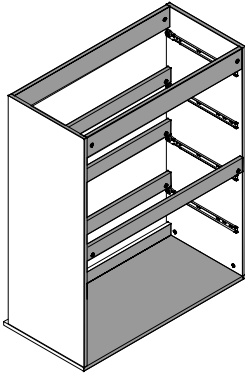
G  01

## TOOLS REQUIRED



# STEP 9

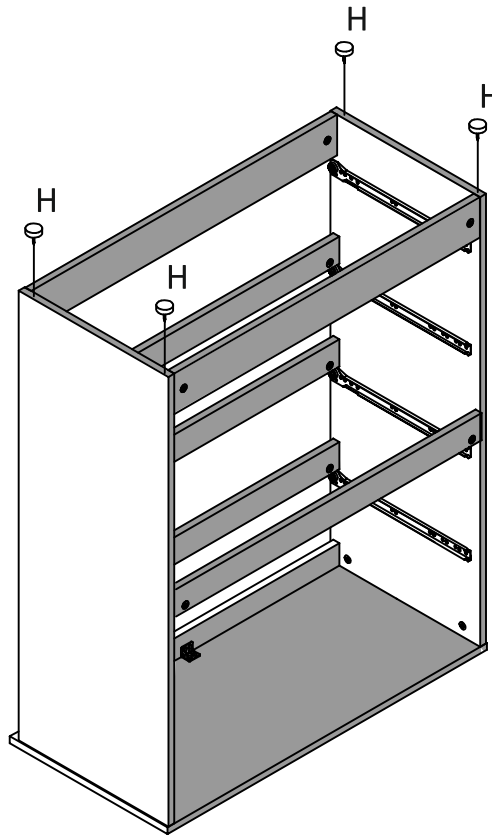
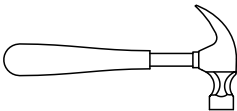
**PARTS REQUIRED**



**HARDWARE REQUIRED**

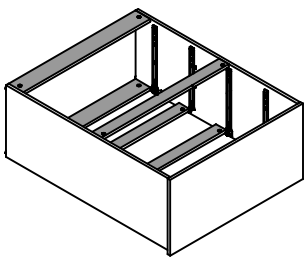


**TOOLS REQUIRED**

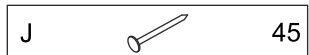


# STEP 10

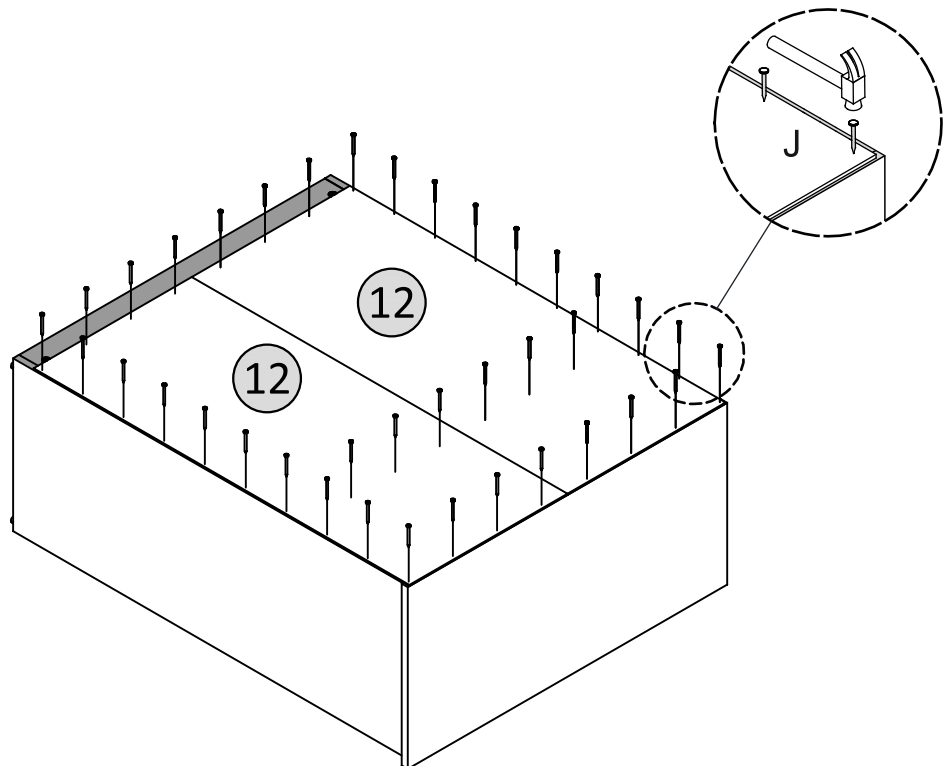
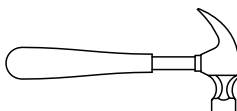
**PARTS REQUIRED**



**HARDWARE REQUIRED**



**TOOLS REQUIRED**





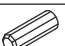


# STEP 11

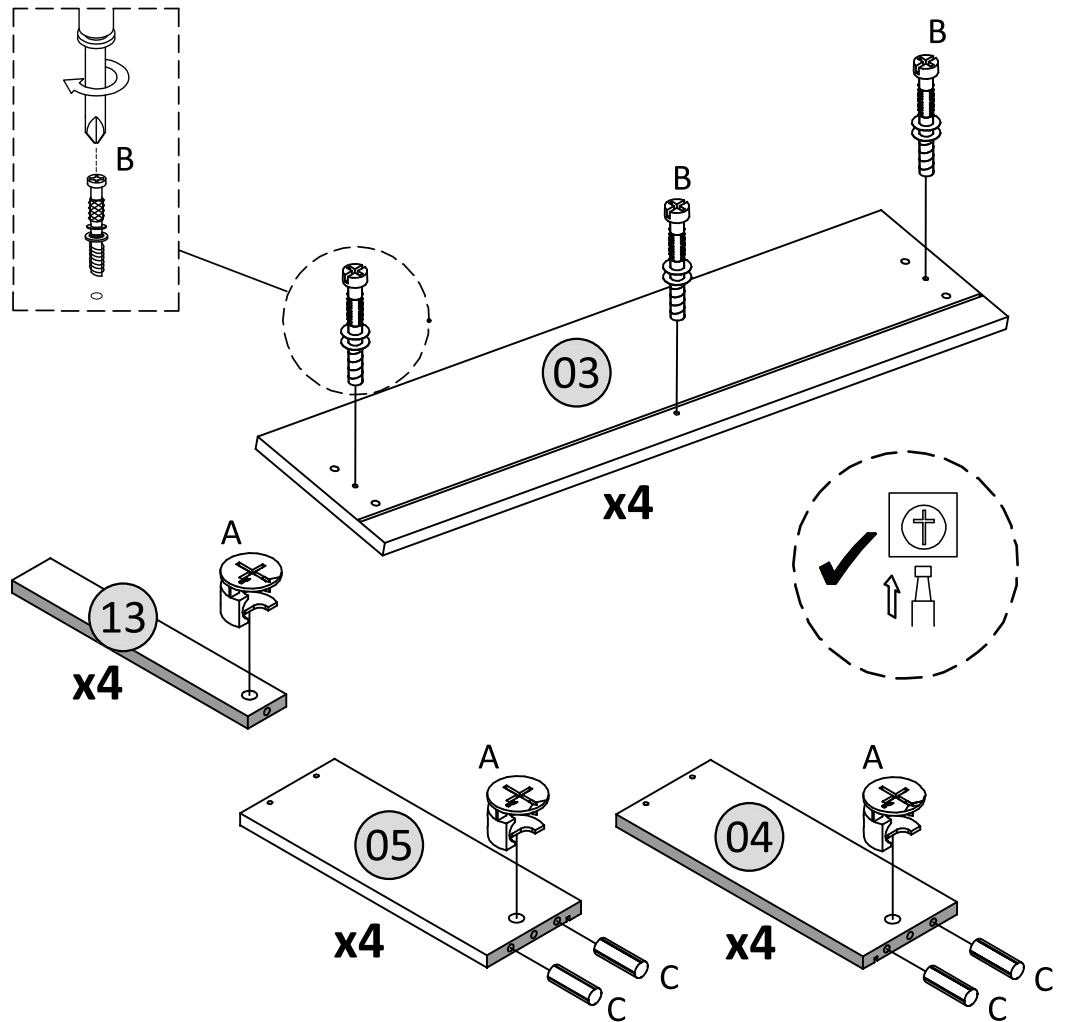
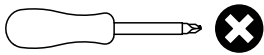
## PARTS REQUIRED

03 - DRAWER FRONT	x4
04 - DRAWER LEFT PANEL	x4
05 - DRAWER RIGHT PANEL	x4
13- DRAWER SUPPORT PANEL x4	

## HARDWARE REQUIRED

A		12
B		12
C		16

## TOOLS REQUIRED



# STEP 12

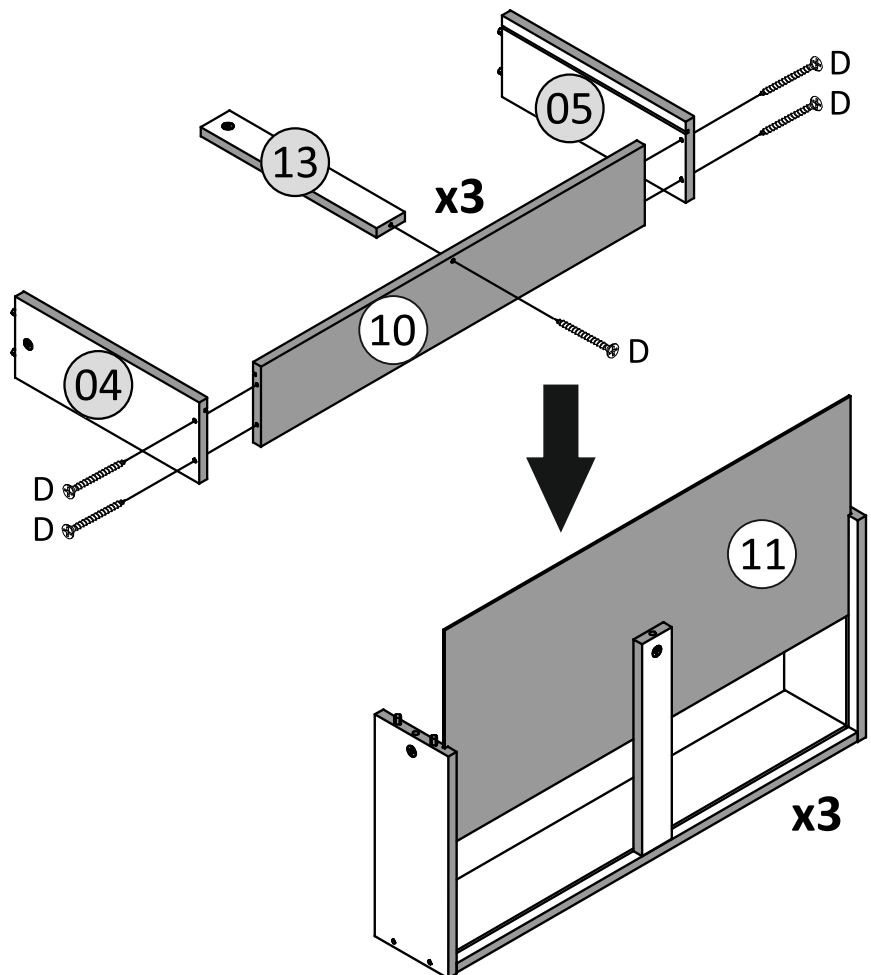
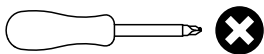
## PARTS REQUIRED

04 - DRAWER LEFT PANEL	x4
05 - DRAWER RIGHT PANEL	x4
10- DRAWER BACK PANEL	x4
11- DRAWER BOTTOM PANEL	x4
13- DRAWER SUPPORT PANEL x4	

## HARDWARE REQUIRED

D		20
---	---	----

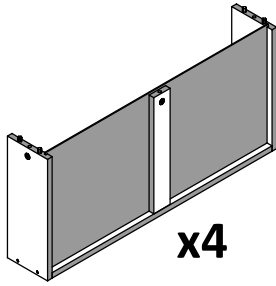
## TOOLS REQUIRED



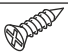
# STEP 13

**PARTS REQUIRED**

03 - DRAWER FRONT x4

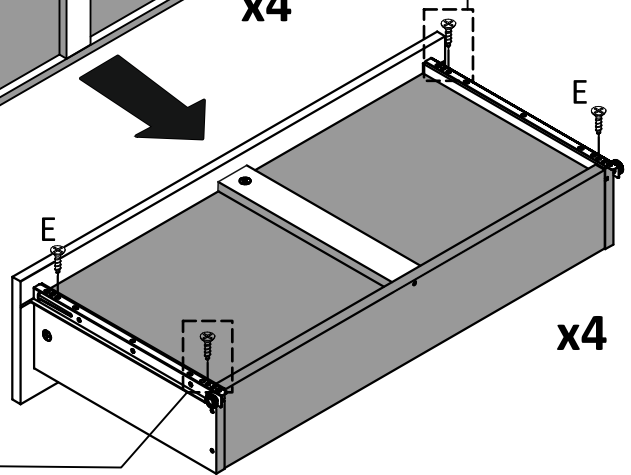
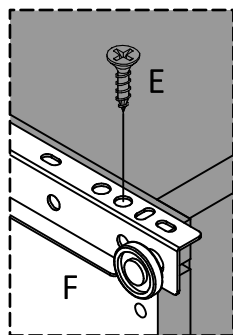
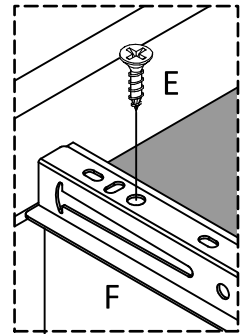
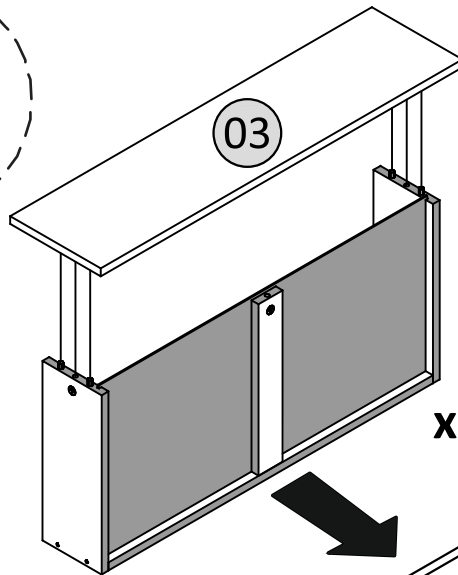
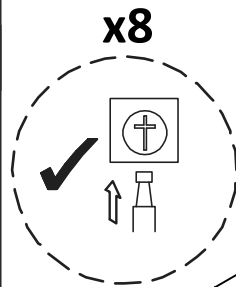
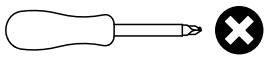


**HARDWARE REQUIRED**

E  16

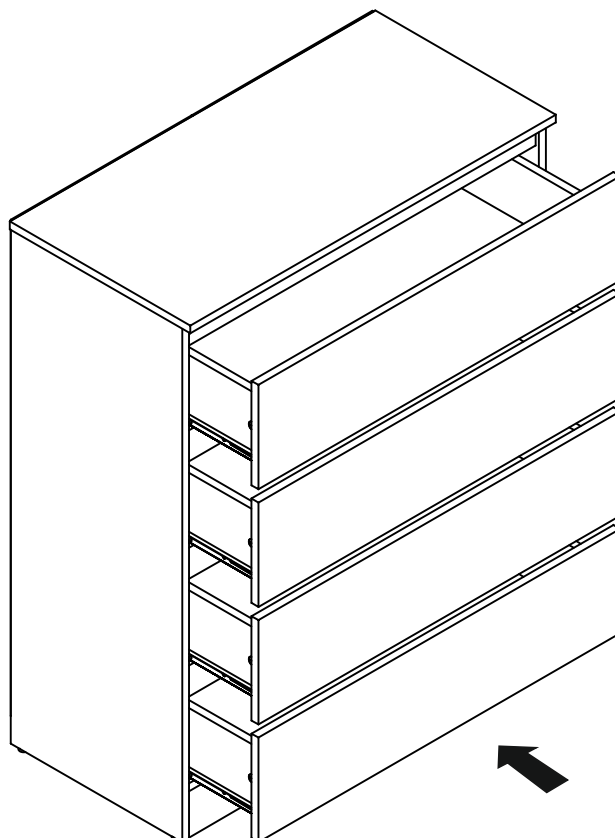
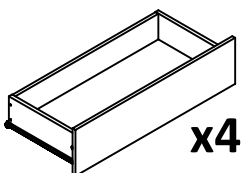
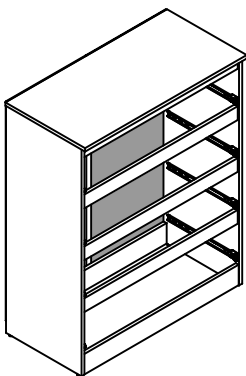
F  04

**TOOLS REQUIRED**



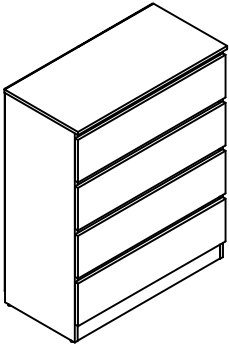
# STEP 14

**PARTS REQUIRED**



# STEP 15

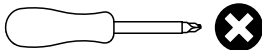
## PARTS REQUIRED



## HARDWARE REQUIRED

K  01

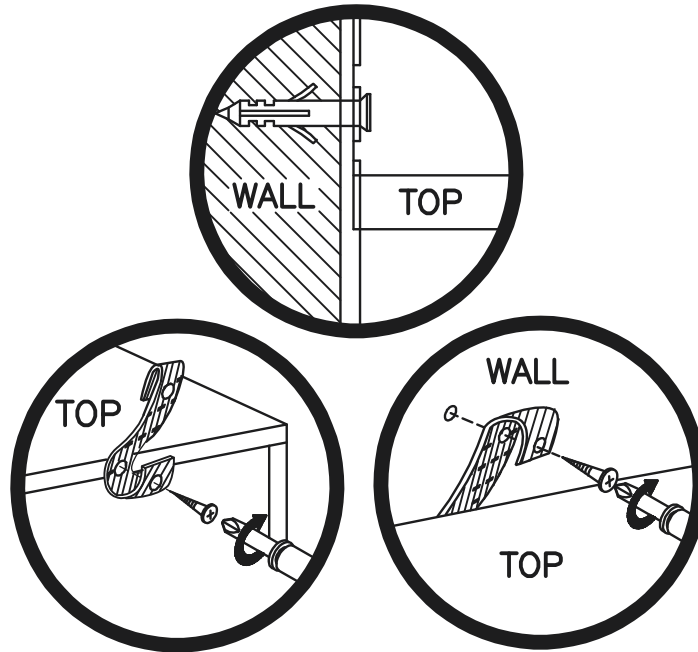
## TOOLS REQUIRED



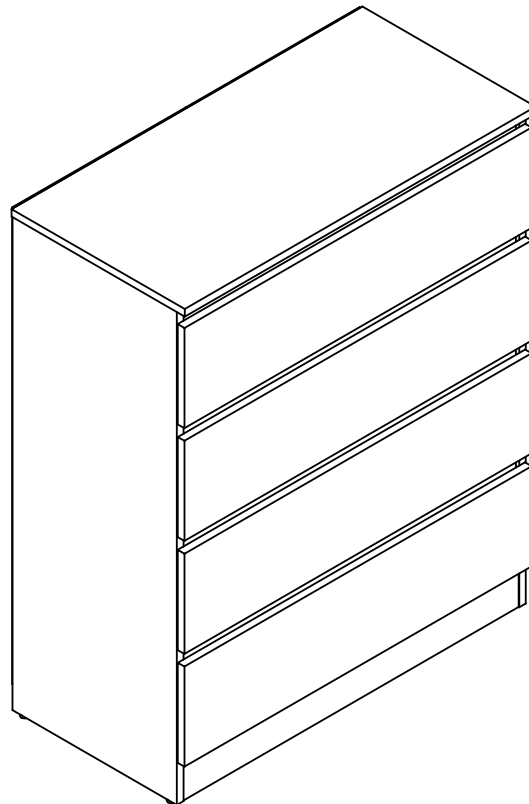
# WARNING

**Serious or fatal injuries can occur from furniture tipping over. To prevent the furniture from tipping over we recommend that it is permanently fixed to the wall.**

Wall fixings are not supplied with this product as different wall materials require different types of fixing devices. Please make sure you use fixings suitable for the walls in your home.

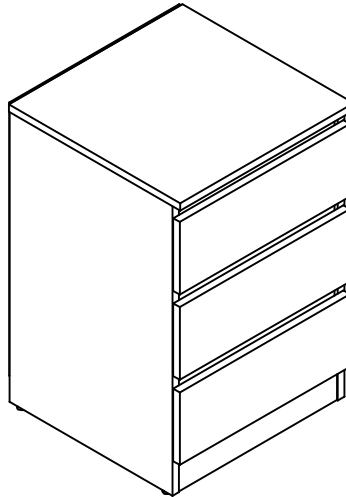


# STEP 16



# FINISH

# GREY MALVERN 3 DRAWER BEDSIDE ASSEMBLY INSTRUCTIONS



## FOR DOMESTIC USE ONLY

### IMPORTANT

PLEASE READ BEFORE YOU CONTINUE FURTHER

THE PRODUCT YOU HAVE PURCHASED WILL GIVE YOU MANY YEARS OF SERVICE IF YOU FOLLOW THE GUIDELINES FOR ITS SAFE ASSEMBLY AND PERIODIC MAINTENANCE AND CLEANING.

ASSEMBLE ON A SOFT CLEAN SURFACE.

DO NOT USE ANY TOOLS OTHER THAN THOSE SHOWN.

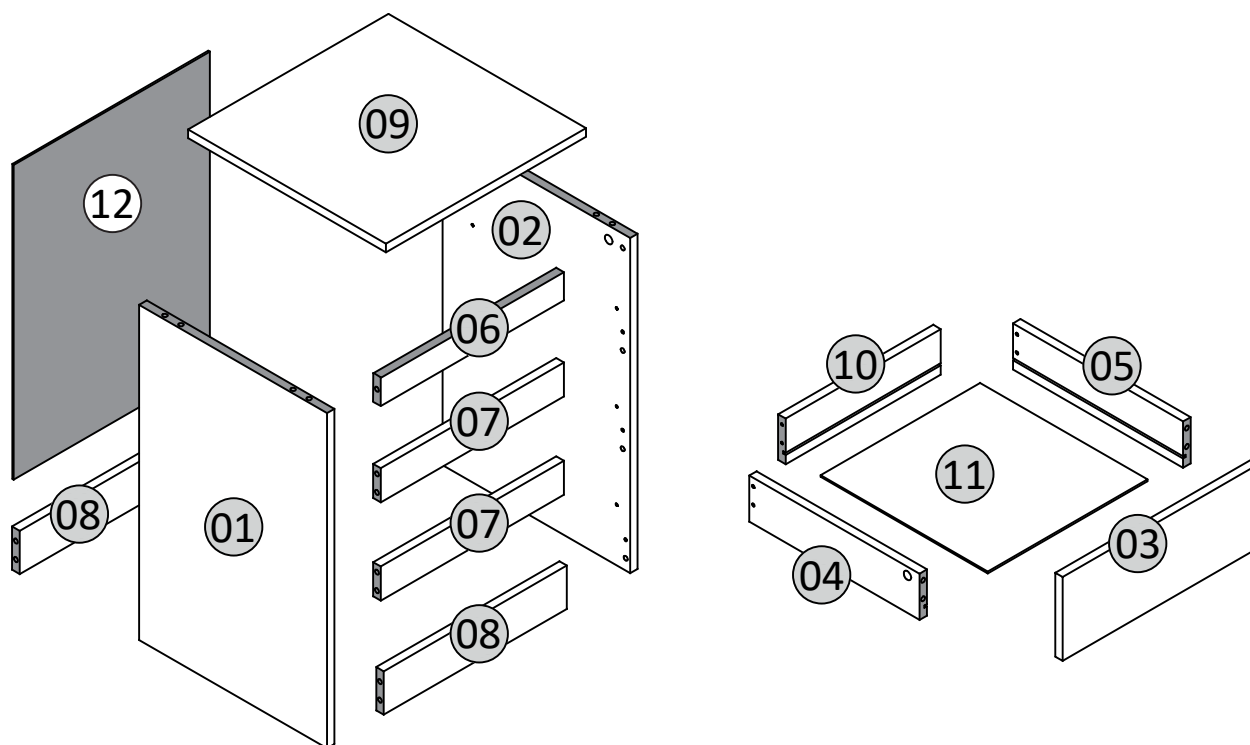
ANY SPANNERS OR ALLEN KEYS REQUIRED ARE INCLUDED WITH THE FITTING KIT.

DO NOT FOR ANY REASON USE A POWER TOOL TO ASSEMBLE THIS PRODUCT. ITS USE WILL INVALIDATE ANY CLAIM YOU MAY HAVE AND COULD MAKE THIS PRODUCT UNSAFE.

DEPENDING ON THE AMOUNT OF USE THIS PRODUCT RECEIVES. IT MAY BE NECESSARY TO TIGHTEN UP THE FIXINGS FROM TIME TO TIME. THIS IS COMPLETELY NORMAL FOR ANY FLAT PACK FURNITURE. DO NOT OVERTIGHTEN FIXINGS.

FOR CLEANING, YOU MAY USE A DAMP CLOTH (NOT WET). DO NOT USE POLISH, DETERGENT OR CHEMICAL CLEANERS.


THIS SURFACE OF THIS ITEM IS NOT HEAT RESISTANT. ALWAYS USE A PLACE MAT UNDER HOT OR COLD ITEMS TO PREVENT MARKING.



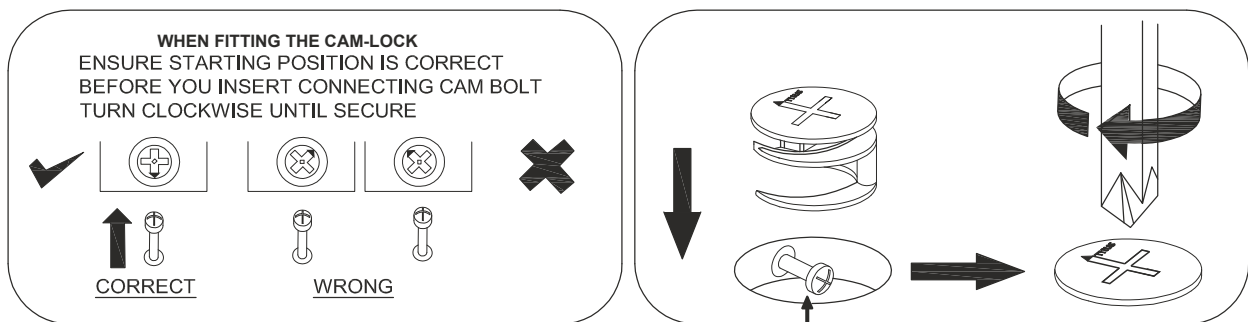
## PART LIST

<u>Part Number</u>	<u>Part Code</u>	<u>Part Description</u>	<u>Quantity</u>	<u>Carton</u>
01	S100-103-069-ZF1-01	Left Panel	1	1/1
02	S100-103-069-ZF1-02	Right Panel	1	1/1
03	S100-103-069-ZF1-03	Drawer Front	3	1/1
04	S100-103-069-ZF1-04	Drawer Left Panel	3	1/1
05	S100-103-069-ZF1-05	Drawer Right Panel	3	1/1
06	S100-103-069-ZF1-06	Top Support Panel	1	1/1
07	S100-103-069-ZF1-07	Centre Support Panel	2	1/1
08	S100-103-069-ZF1-08	Bottom Support Panel	2	1/1
09	S100-103-069-ZF1-09	Top Panel	1	1/1
10	S100-103-069-ZF1-10	Drawer Back Panel	3	1/1
11	S100-103-069-ZF1-11	Drawer Bottom Panel	3	1/1
12	S100-103-069-ZF1-12	Back Panel	1	1/1

# HARDWARE LIST

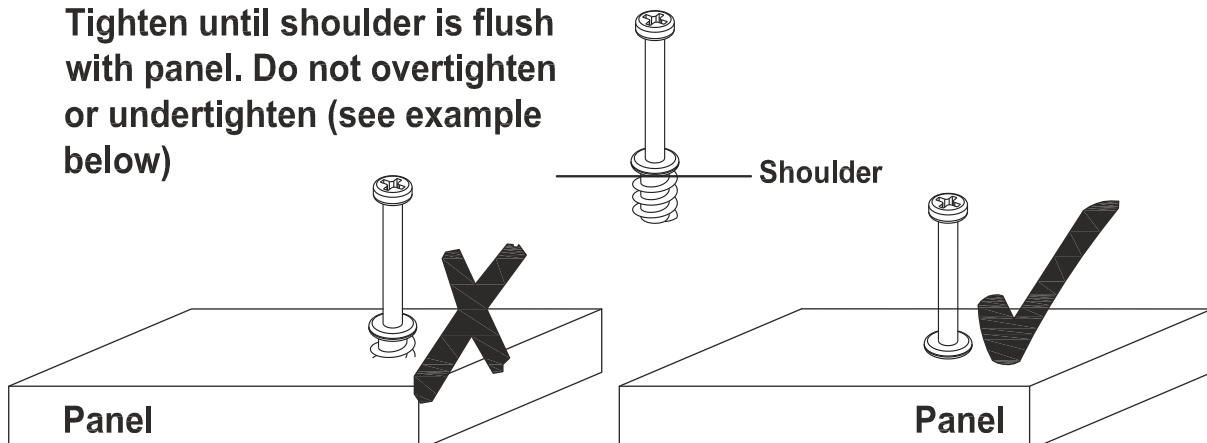
No.	Part Name		Qty
A	Cam Nut		18
B	Cam Bolt		18
C	M8 x 25mm Wood Dowel		20
D	38mm Chipboard Screw		12
E	14mm Chipboard Screw		34
F	14" Drawer Slide		3 sets
G	PVC L Bracket		1
H	Plastic Foot		4
J	18mm Panel Pin		20
K	Wall Fittings (4 x 20mm x 1)		1

## TIPS FOR FITTING CAM-LOCKS



### CAMBOLT

Tighten until shoulder is flush with panel. Do not overtighten or undertighten (see example below)




# STEP 1

## PARTS REQUIRED

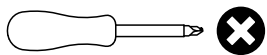
01 - LEFT PANEL x1

## HARDWARE REQUIRED

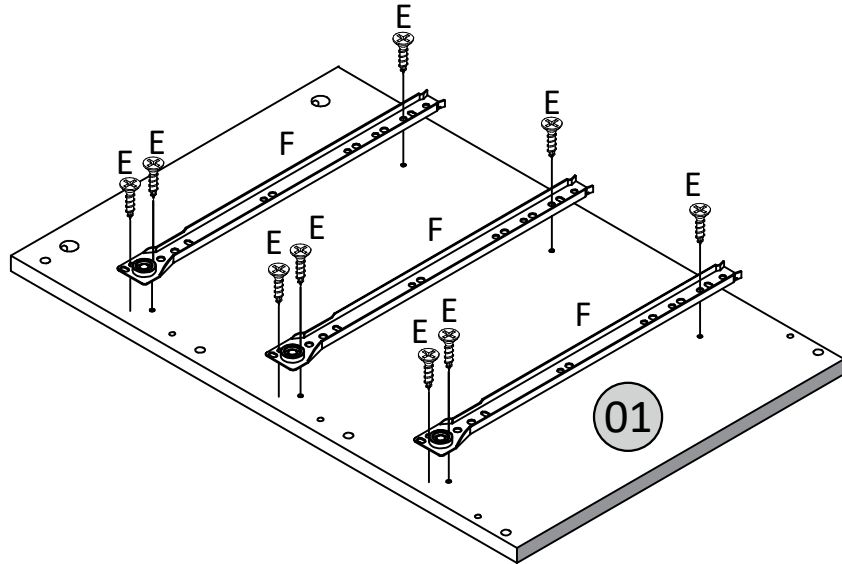
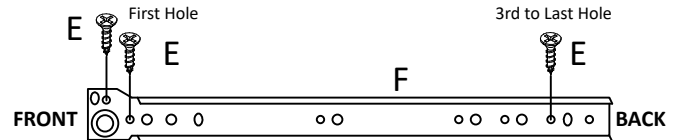
E  09

F  03

## TOOLS REQUIRED



To Assemble the Drawer Slide, Please Follow Step as Below




# STEP 2

## PARTS REQUIRED

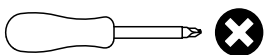
02 - RIGHT PANEL x1

## HARDWARE REQUIRED

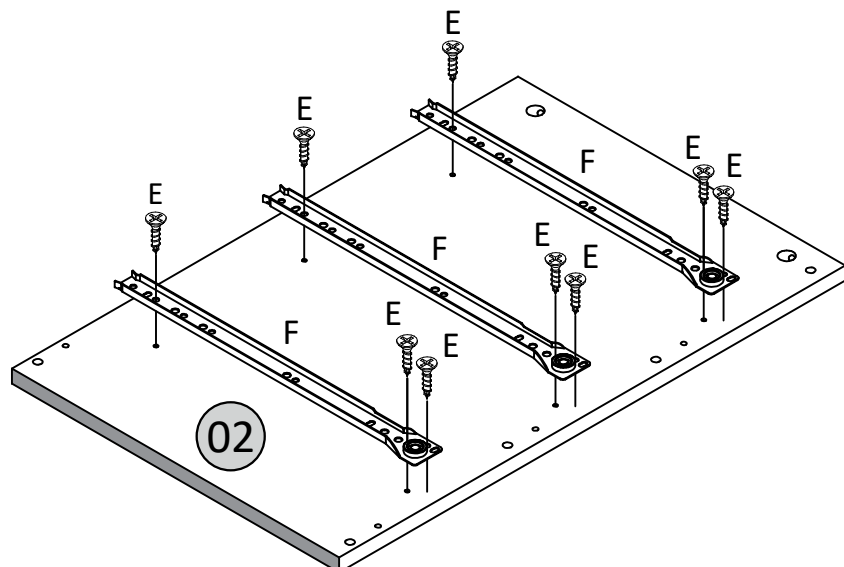
E  09

F  03

## TOOLS REQUIRED



To Assemble the Drawer Slide, Please Follow Step as Below



# STEP 3

## PARTS REQUIRED

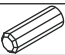
01 - LEFT PANEL x1

02 - RIGHT PANEL x1

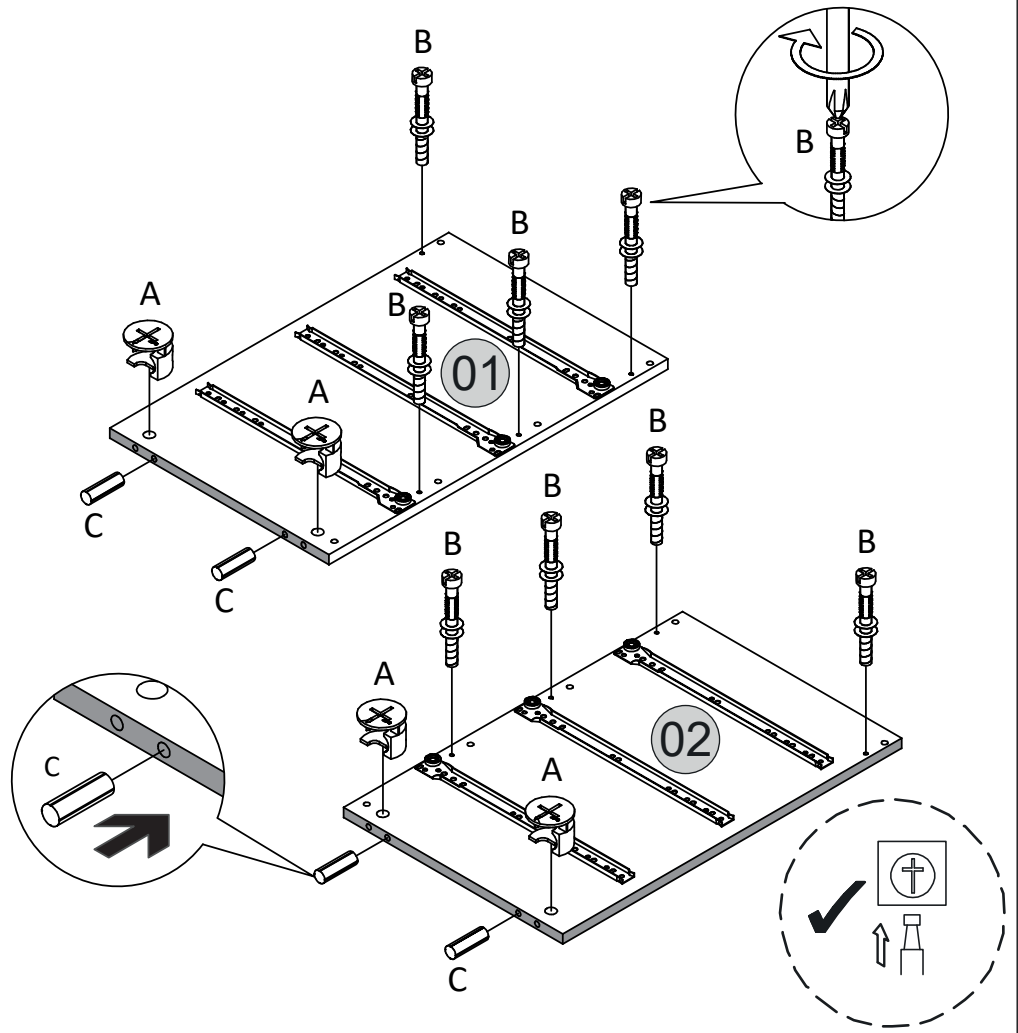
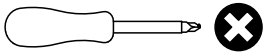
## HARDWARE REQUIRED

A  04

B  08

C  04

## TOOLS REQUIRED



# STEP 4

## PARTS REQUIRED

06 - TOP SUPPORT PANEL x1

07 - CENTRE SUPPORT PANEL x1

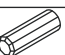
08 - BOTTOM SUPPORT PANEL x1

09 - TOP PANEL x1

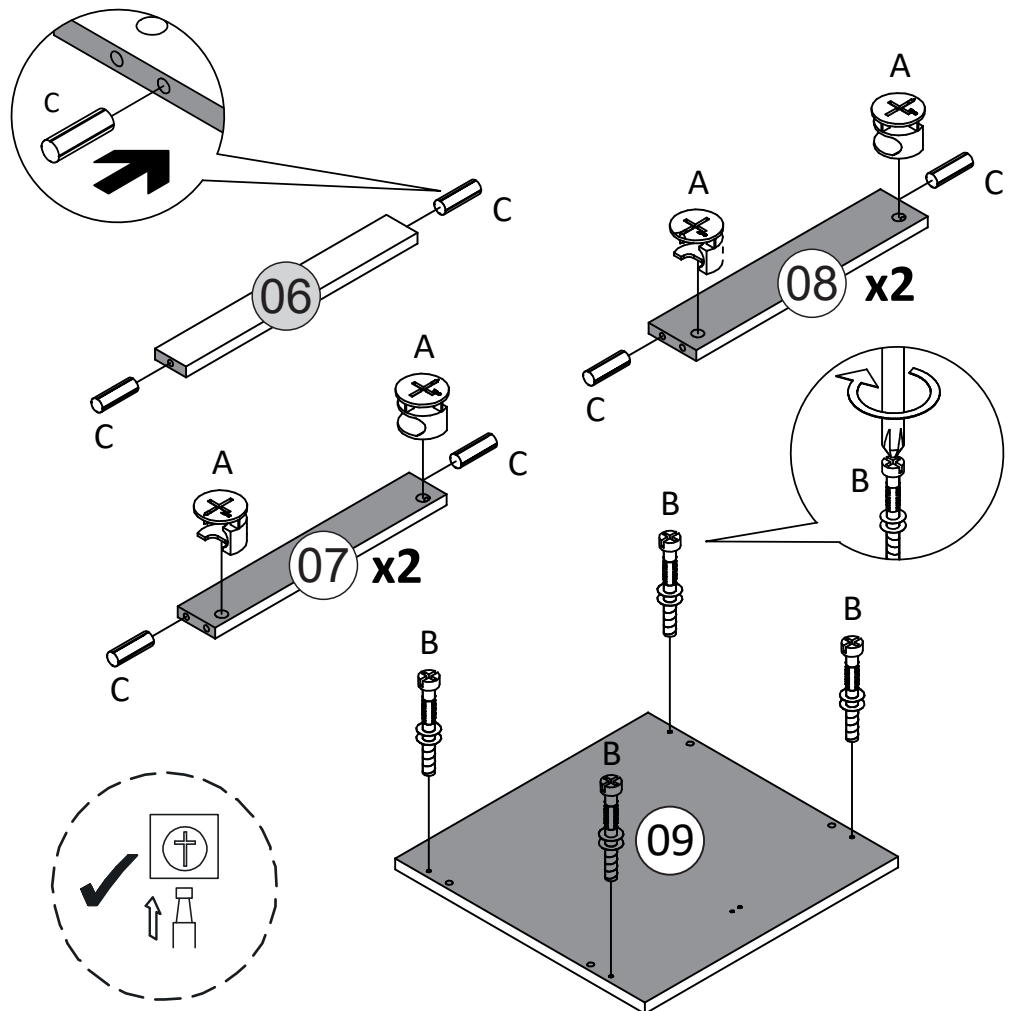
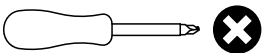
## HARDWARE REQUIRED

A  08

B  04

C  10

## TOOLS REQUIRED





# STEP 5

## PARTS REQUIRED

02 - RIGHT PANEL x1

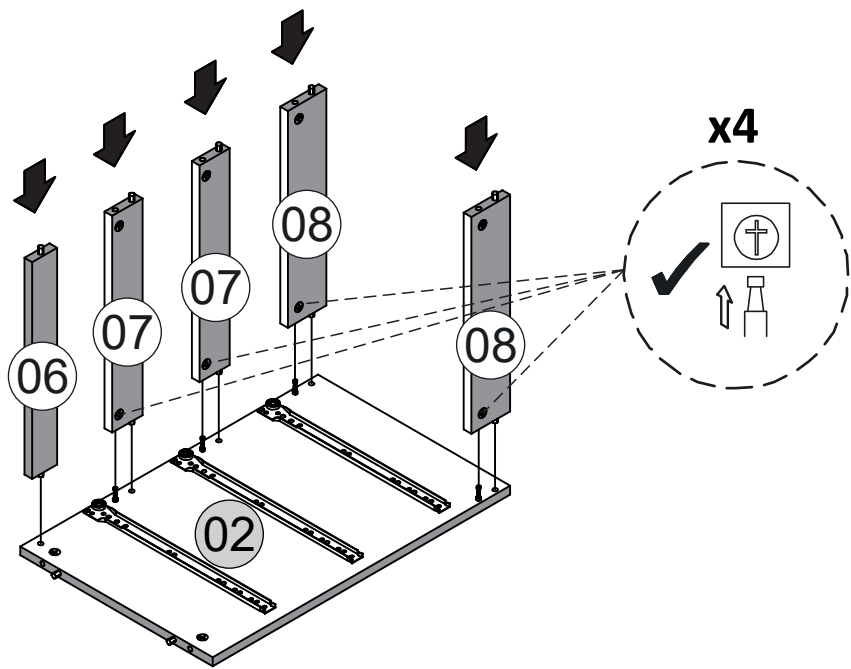
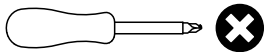
06 - TOP SUPPORT PANEL x1

07 - CENTRE SUPPORT PANEL x2

08 - BOTTOM SUPPORT PANEL x2

## HARDWARE REQUIRED

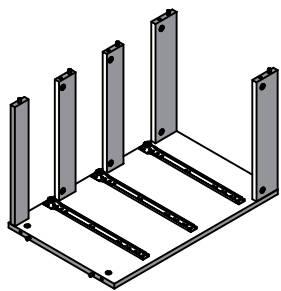
## TOOLS REQUIRED



# STEP 6

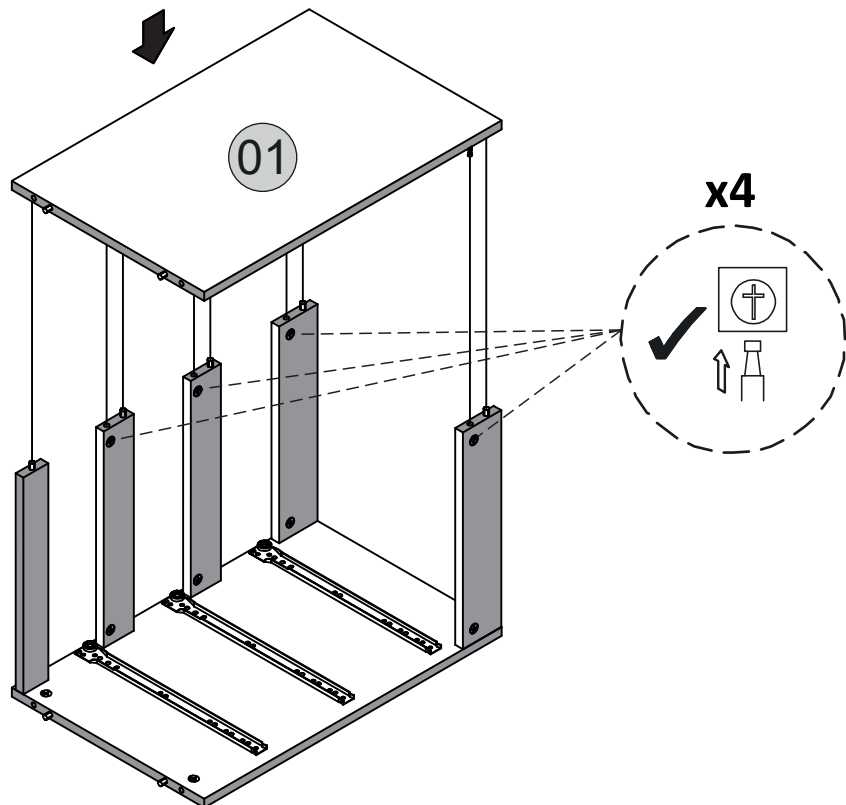
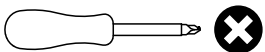
## PARTS REQUIRED

01 - LEFT PANEL x1



## HARDWARE REQUIRED

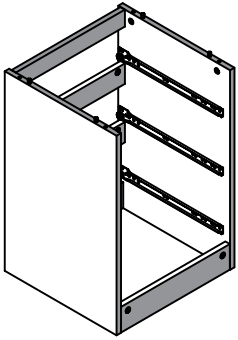
## TOOLS REQUIRED



# STEP 7

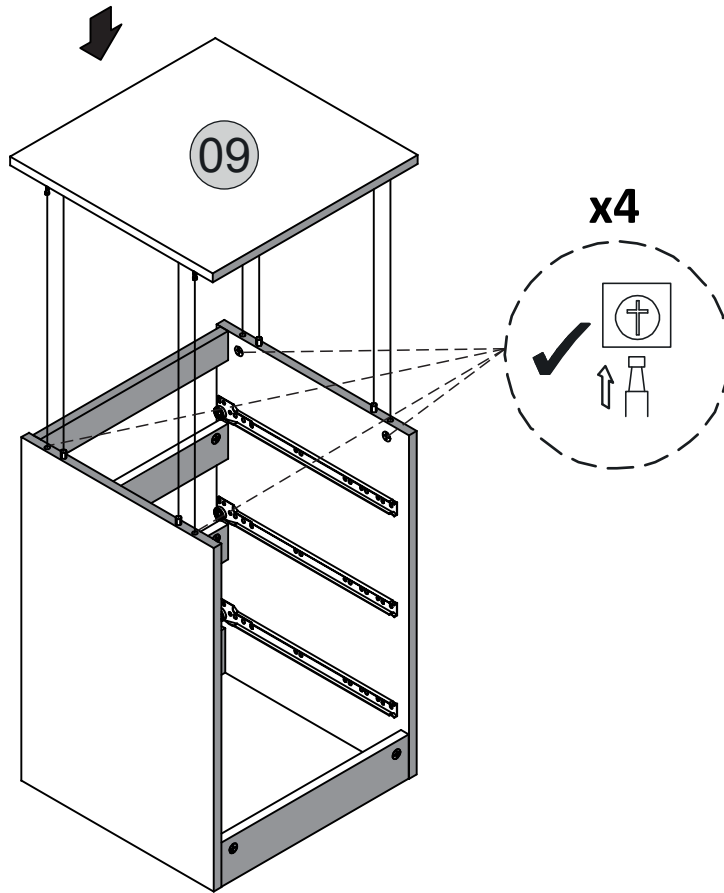
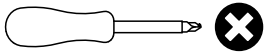
**PARTS REQUIRED**

09 - TOP PANEL x1



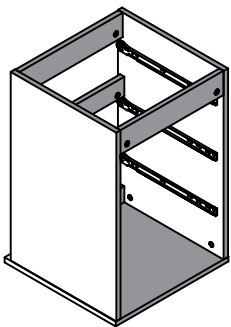
**HARDWARE REQUIRED**

**TOOLS REQUIRED**

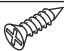


# STEP 8

**PARTS REQUIRED**

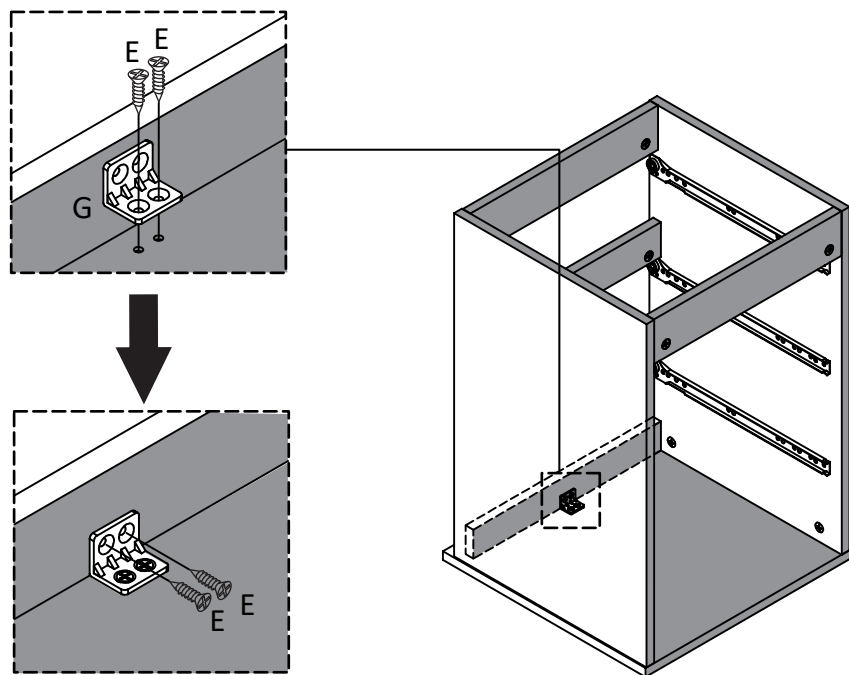
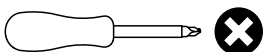


**HARDWARE REQUIRED**

E  04

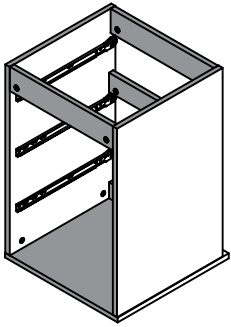
G  01

**TOOLS REQUIRED**



# STEP 9

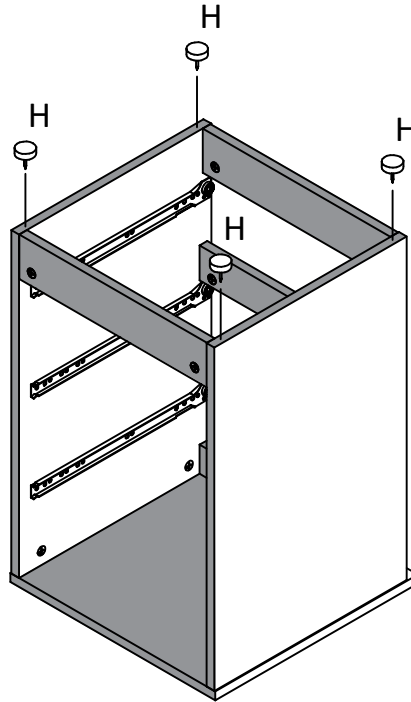
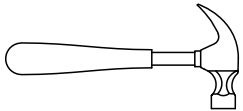
**PARTS REQUIRED**



**HARDWARE REQUIRED**

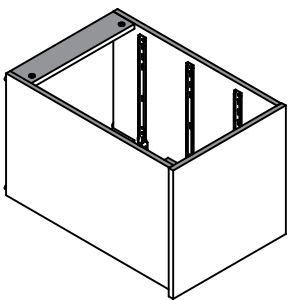


**TOOLS REQUIRED**

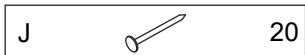


# STEP 10

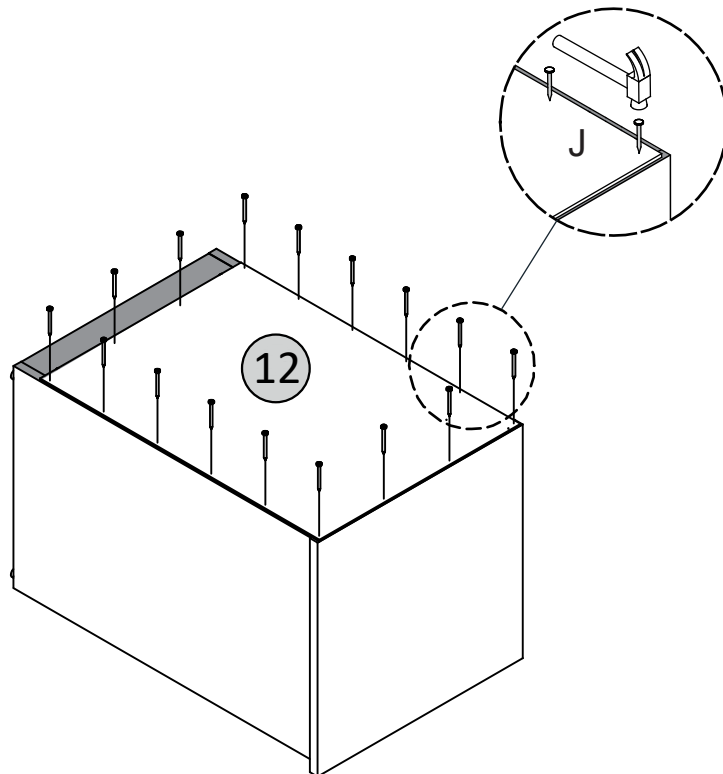
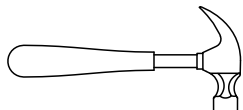
**PARTS REQUIRED**



**HARDWARE REQUIRED**



**TOOLS REQUIRED**



# STEP 11

## PARTS REQUIRED

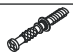
03 - DRAWER FRONT x3

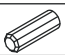
04 - DRAWER LEFT PANEL x3

05 - DRAWER RIGHT PANEL x3

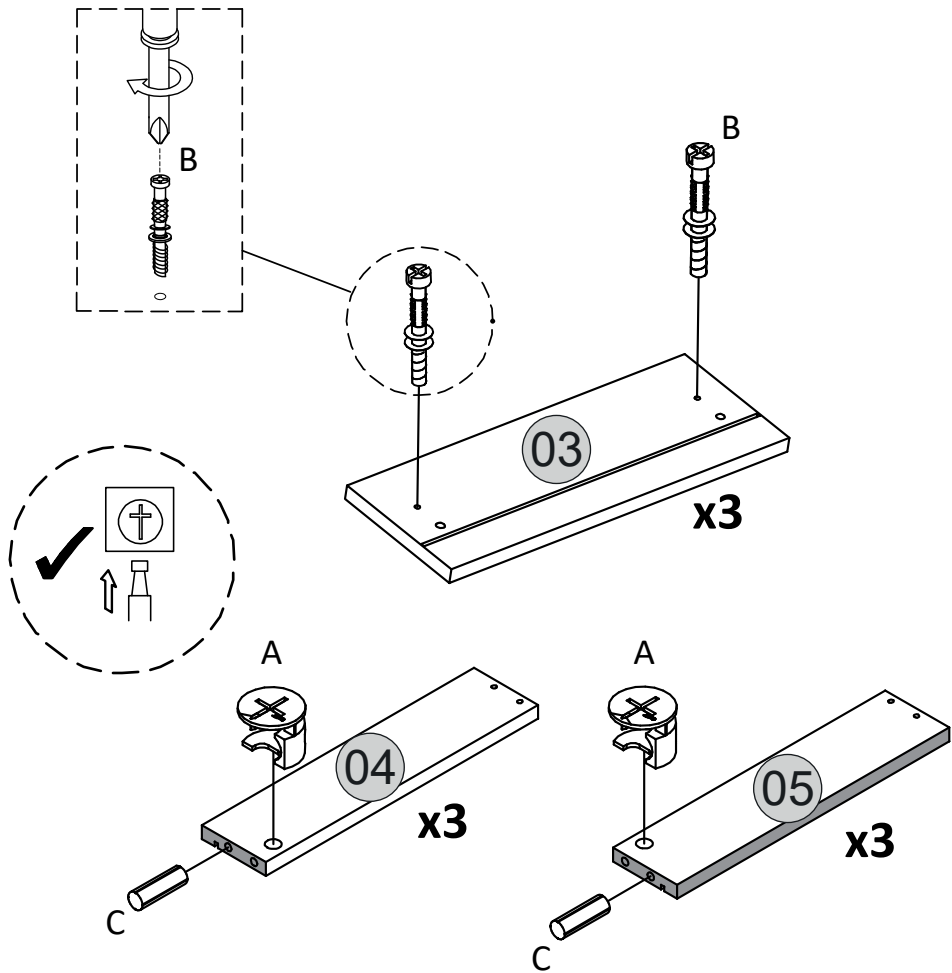
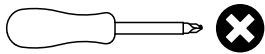
## HARDWARE REQUIRED

A  06

B  06

C  06

## TOOLS REQUIRED



# STEP 12

## PARTS REQUIRED

04 - DRAWER LEFT PANEL x3

05 - DRAWER RIGHT PANEL x3

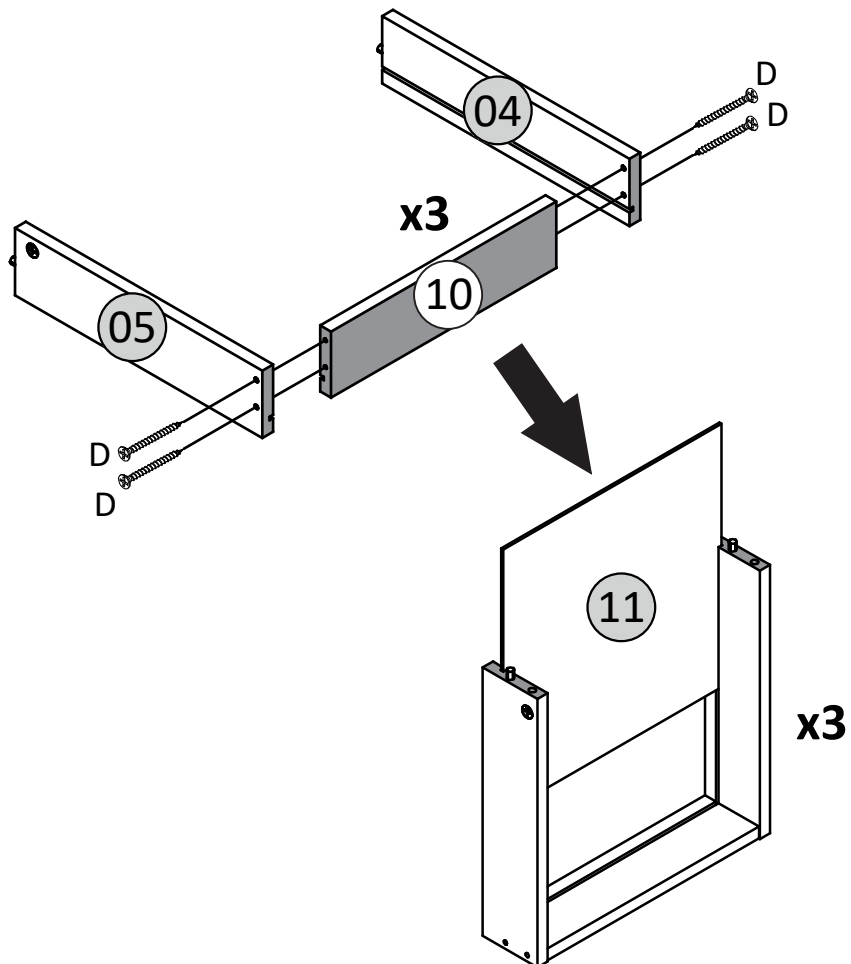
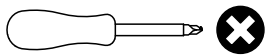
10- DRAWER BACK PANEL x3

11- DRAWER BOTTOM PANEL x3

## HARDWARE REQUIRED

D  12

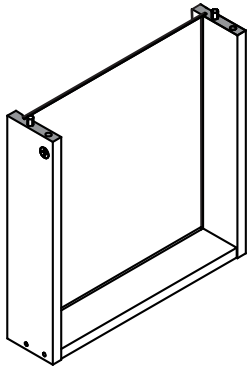
## TOOLS REQUIRED




# STEP 13

**PARTS REQUIRED**

03 - DRAWER FRONT x1

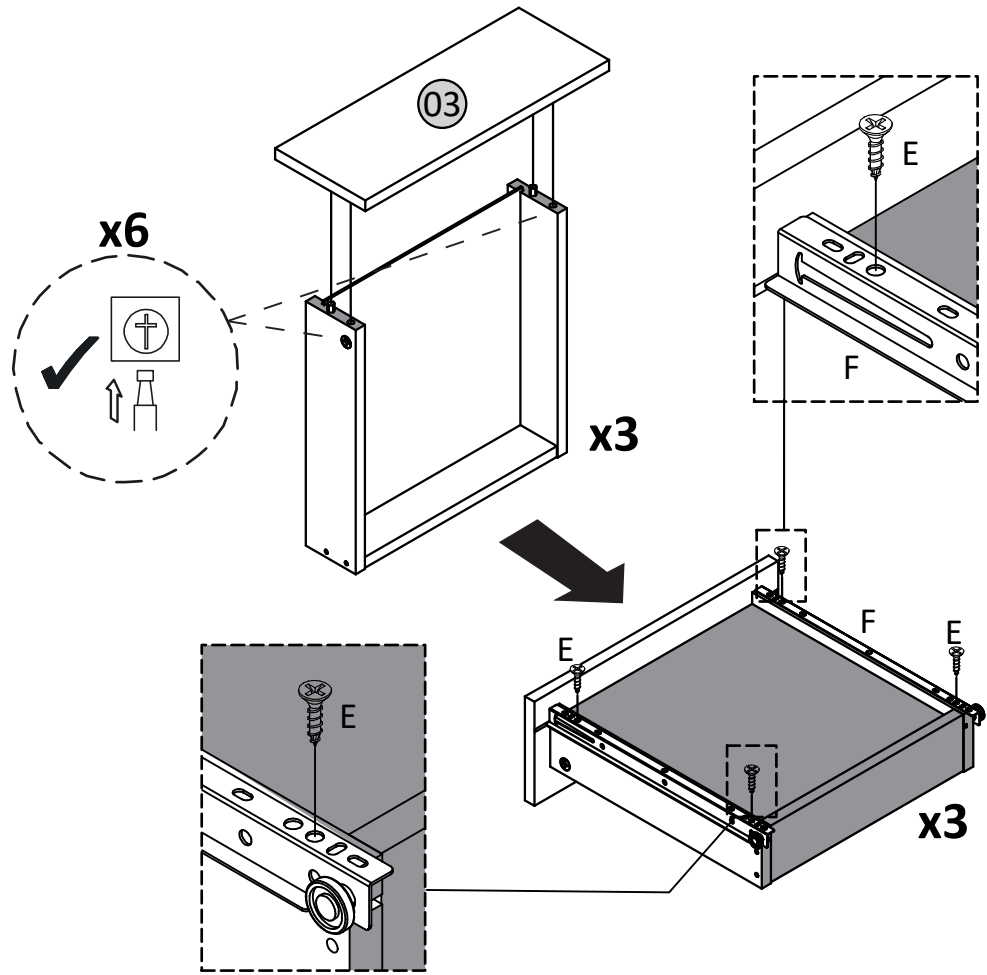
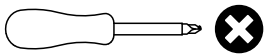


**HARDWARE REQUIRED**

E  12

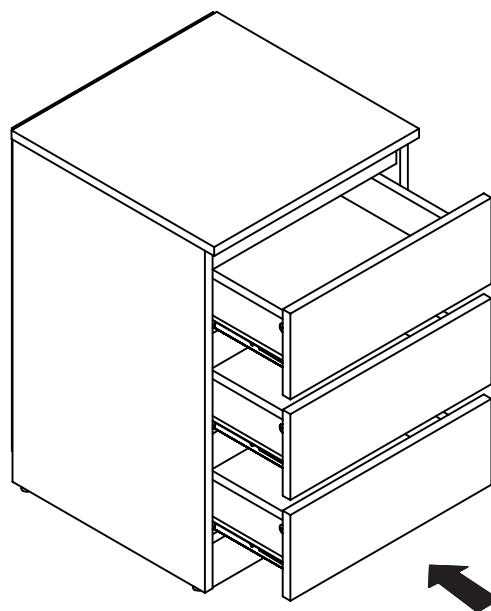
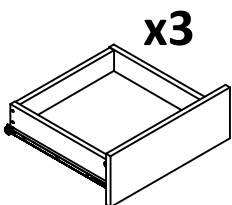
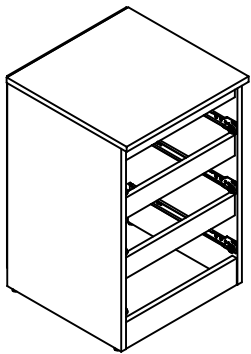
F  03

**TOOLS REQUIRED**



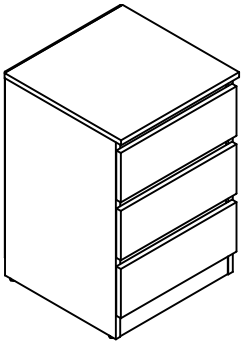
# STEP 14

**PARTS REQUIRED**



## STEP 15

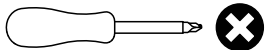
### PARTS REQUIRED



### HARDWARE REQUIRED

K  01

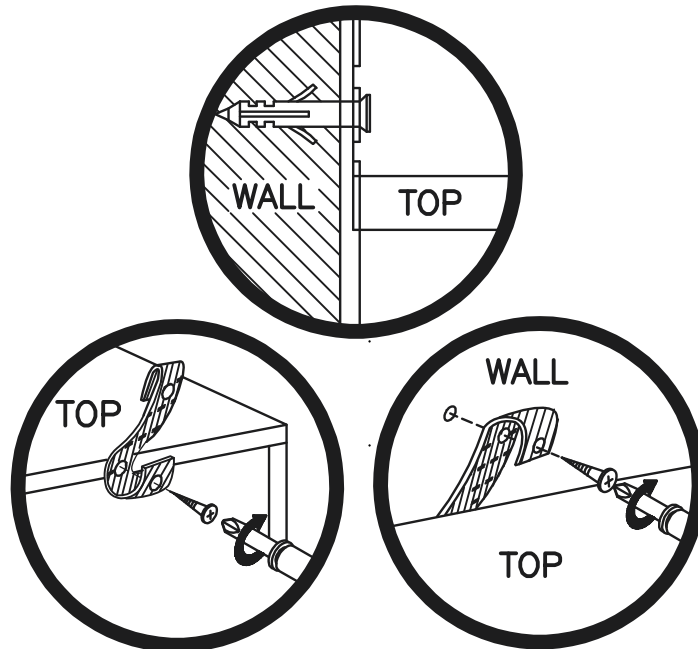
### TOOLS REQUIRED



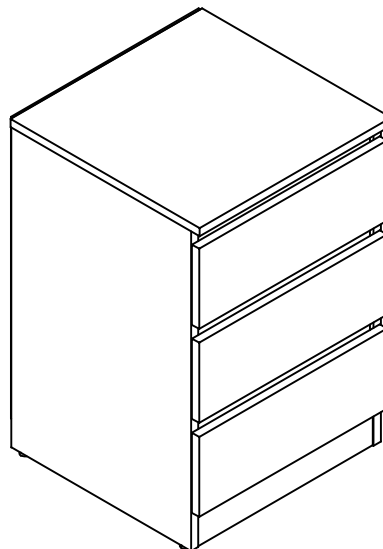
## WARNING

**Serious or fatal injuries can occur from furniture tipping over. To prevent the furniture from tipping over we recommend that it is permanently fixed to the wall.**

Wall fixings are not supplied with this product as different wall materials require different types of fixing devices. Please make sure you use fixings suitable for the walls in your home.



## STEP 16



# ***FINISH***