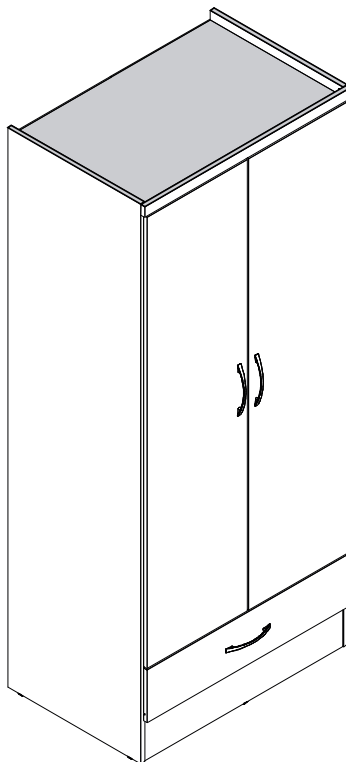




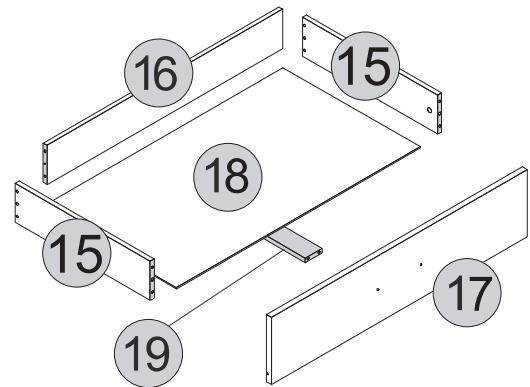
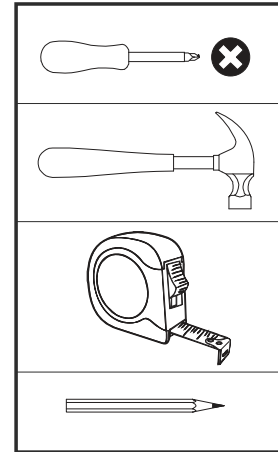
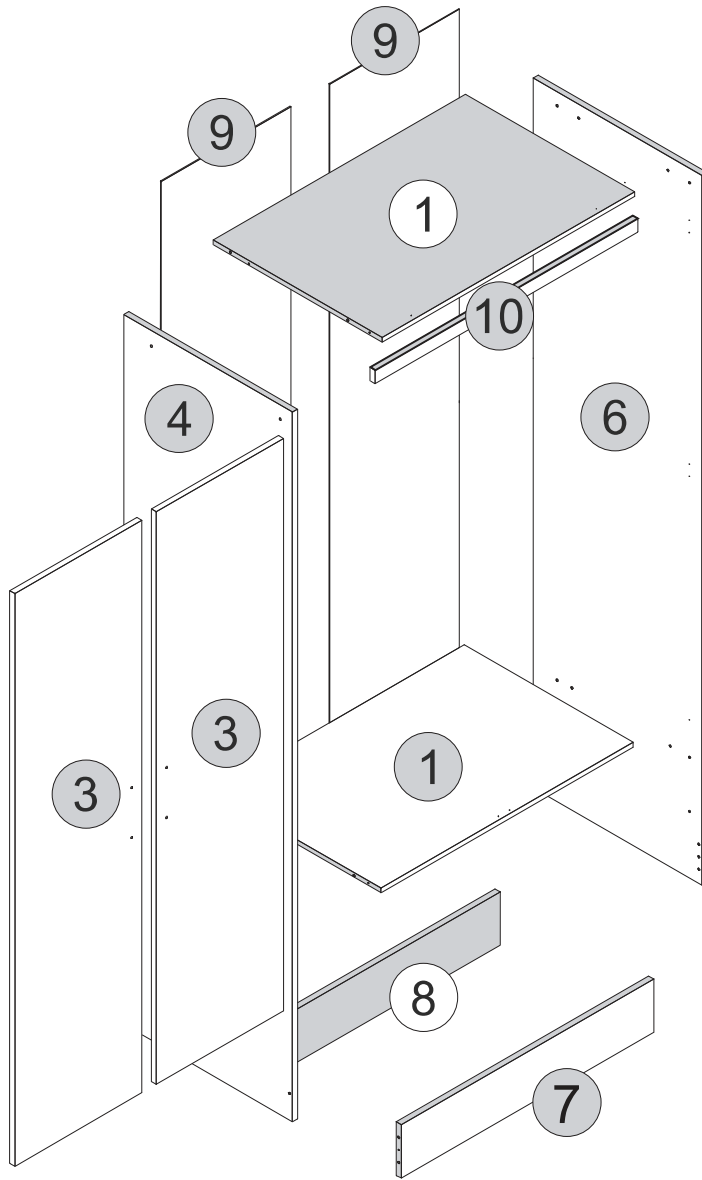
NEVADA 2 DOOR 1 DRAWER WARDROBE ASSEMBLY INSTRUCTIONS BLACK GLOSS



IMPORTANT FOR DOMESTIC USE ONLY PLEASE READ BEFORE YOU CONTINUE FURTHER CARE AND MAINTENANCE

After unpacking this product please keep the original packaging in case it needs to be returned for any reason.

- Please ensure all fittings and parts are present before commencing with assembly.
- Never drag or push products as this could cause damage to the joints making it inferior.
- We strongly recommend that you keep children away from your work area.
- We recommend that you lay a blanket or sheet on the floor to avoid damage to both your floor and the product.
- Assemble this product as close to its final position as possible.
- Do not place this product next to a radiator or in direct sunlight.
- Do not drag or push items across your high gloss furniture as this may cause the surface to scratch
- Wood is a natural product and may expand if subjected to damp and may shrink or crack if subjected to heat. Therefore it is recommended that room temperature is maintained, with no sudden temperature fluctuations.
- Make sure any spillage is wiped off immediately.
- Do not place hot or chilled items directly on to the surface, use a place mat or marking will occur.
- For general cleaning use a soft cotton or micro fibre cloth, and do not use detergents of any kind.
- From time to time it may be necessary to tighten fittings, regular inspections should be carried out.
- Do not place on a wet or damp floor as staining may occur to your floor.




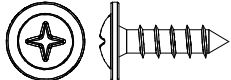
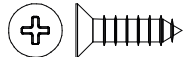
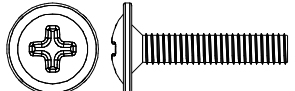

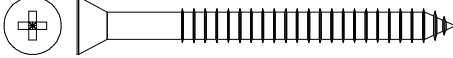



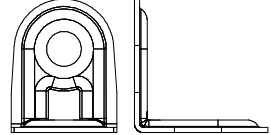

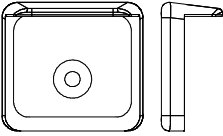
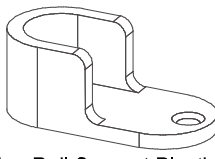
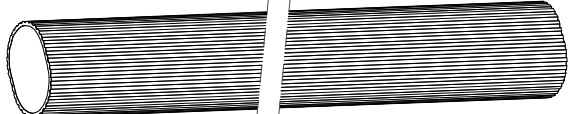
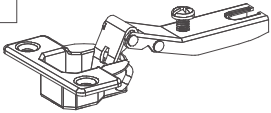
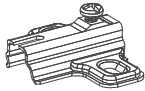
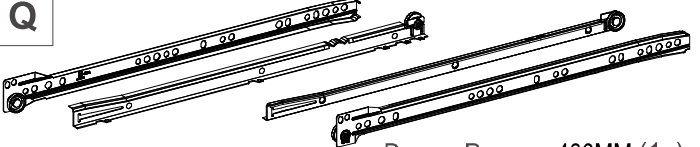
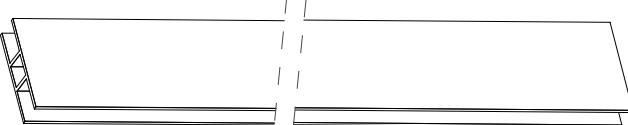




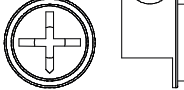
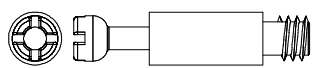

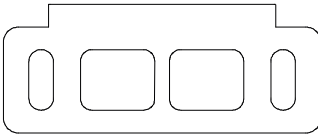

PARTS LIST

Please Note:
The below parts have all been stamped with the part number to help identify them during assembly.

Part Number	Part Code	Part Description	Quantity	Carton
01	S100-101-183-HV1-01	Base-Top Panel	2	1/2
03	S100-101-183-HV1-03	Door	2	2/2
04	S100-101-183-HV1-04	Left Side Panel	1	1/2
06	S100-101-183-HV1-06	Right Side Panel	1	1/2
07	S100-101-183-HV1-07	Front Baseboard	1	2/2
08	S100-101-183-HV1-08	Back Baseboard	1	2/2
09	S100-101-183-HV1-09	Back Panel	2	1/2
10	S100-101-183-HV1-10	Frame	1	2/2
15	S100-101-183-HV1-15	Drawer Side	2	1/2
16	S100-101-183-HV1-16	Drawer Back Panel	1	2/2
17	S100-101-183-HV1-17	Drawer Front	1	2/2
18	S100-101-183-HV1-18	Drawer Bottom	1	1/2
19	S100-101-183-HV1-19	Drawer Bottom Support Bar	1	2/2

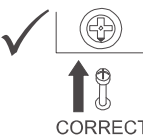
FITTINGS LIST

SEC/SH/09/21/HV1

<p>A</p>  <p>Flat Head Screw Ø6,0 x 10mm (4x)</p> <p>1/+</p>	<p>B</p>  <p>Flan Head Screw Ø4,0 x 14mm (6x)</p> <p>1/+</p>	<p>C</p>  <p>Flat Head Screw Ø4,0 x 14mm (34x)</p> <p>2/+</p>	<p>D</p>  <p>Flan Head Screw Ø4,0 x 20mm (6x)</p> <p>1/+</p>
<p>E</p>  <p>Flat Head Screw Ø3,5 x 40mm (2x)</p> <p>1/+</p>	<p>F</p>  <p>Flat Head Screw Ø4,0 x 50mm (14x)</p> <p>2/+</p>	<p>G</p>  <p>2/+ Dowel Ø6,0 x 30mm (26x)</p>	
<p>H</p>  <p>2/+ Nail 10x10 Ringed-1,5x23mm (58x)</p>	<p>I</p>  <p>Flan Head Screw Ø3,5 x 30mm (2x)</p> <p>1/+</p>	<p>J</p>  <p>1/+ 'L' Metallic Support 18x18MM (4x)</p>	<p>K</p>  <p>1/+ Washer Ø16x7(4x)</p>
<p>L</p>  <p>1/+ Plastic Foot L 19x17x8mm Ø2 (6x)</p>	<p>M</p>  <p>Hanging Rail Support Plastic (2x)</p>	<p>N</p>  <p>Hanging Rail 737x30X16X0,60MM (1x)</p>	
<p>O</p>  <p>Hinge 26MM High Lap (6x)</p>	<p>P</p>  <p>Hinge Plate 26MM D5 (6x)</p>	<p>Q</p>  <p>Drawer Runners 400MM (1x)</p>	
<p>R</p>  <p>Back Panel Strip H 1633x19x3,8MM (1x)</p>	<p>S</p>  <p>Strap 200x20x1MM (2x)</p>		<p>T</p>  <p>Handle (3x)</p>
<p>U</p>  <p>2/+ Hole Plugs 19MM (14x)</p>	<p>V</p>  <p>Glue 10Gr (1x)</p>	<p>W</p>  <p>1/+ Cam Nut Ø12x8,8MM (2x)</p>	<p>X</p>  <p>1/+ Cam Bolt (2x)</p>
<p>Y</p>  <p>Flat Head Screw Ø4,0 x 12mm (12x)</p> <p>2/+</p>	<p>Z</p>  <p>Door Support L42xP27xA28MM (2x)</p>	<p>A1</p>  <p>+/-2 Hole PlugsLineo 19mm (2x)</p>	

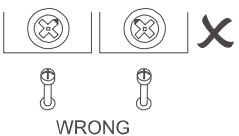
TIPS FOR FITTINGS CAM-LOCKS

WHEN FITTING CAM NUT. ENSURE STARTING POSITION IS CORRECT BEFORE YOU INSERT CONNECTING CAM BOLT TURN CLOCKWISE UNTIL SECURE



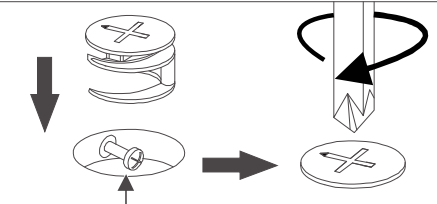
✓

CORRECT



✗

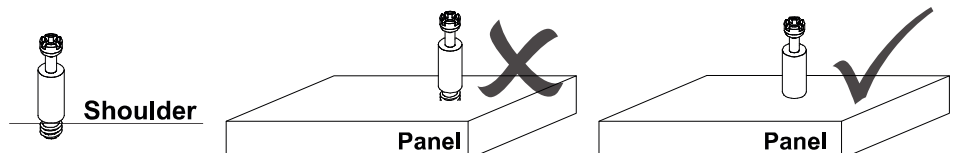
WRONG



Cam bolt head needs to be in centre

CAMBOLT

Tighten until shoulder in flush with panel. Do not overtighten or undertighten (see example beside)

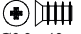


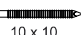
STEP 1


PARTS REQUIRED

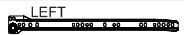
4 - LEFT SIDE PANEL x1

HARDWARE REQUIRED

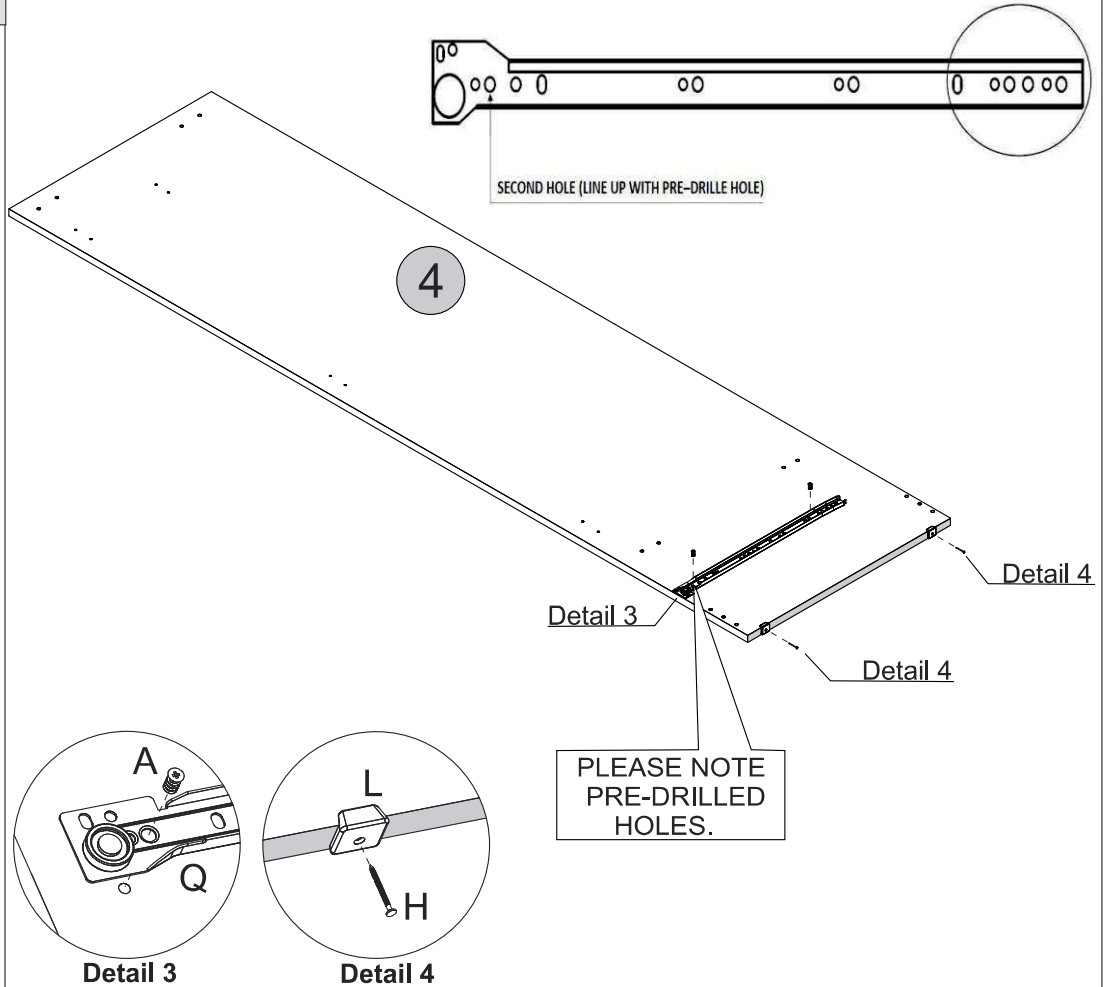
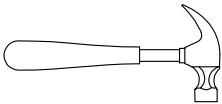
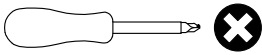
A  02
Ø6.0 x 10mm

H  02
10 x 10

L  02

Q  01
LEFT

TOOLS REQUIRED




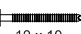
STEP 2


PARTS REQUIRED

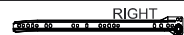
6 - RIGHT SIDE PANEL x1

HARDWARE REQUIRED

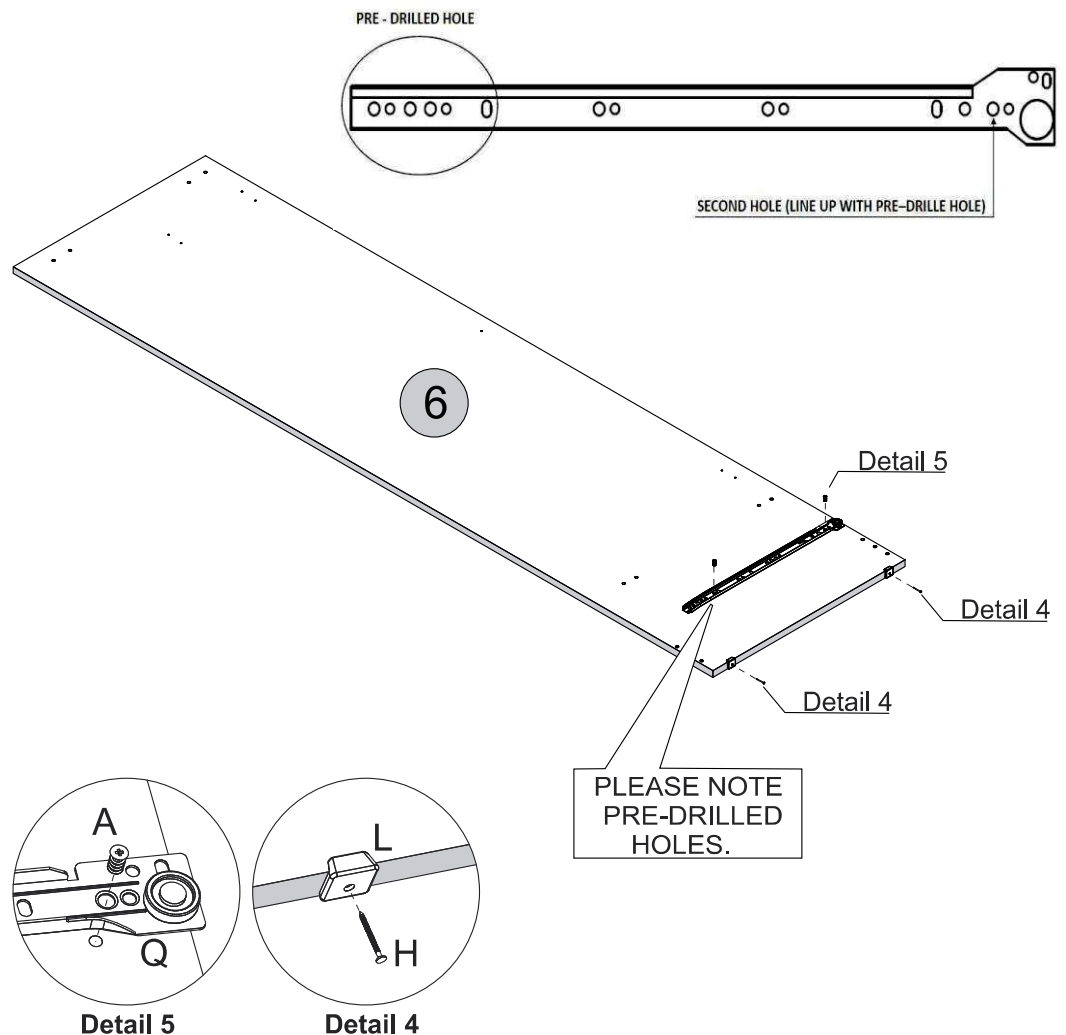
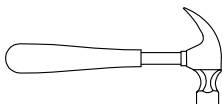
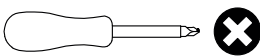
A  02
Ø6.0 x 10mm

H  02
10 x 10

L  02

Q  01
RIGHT

TOOLS REQUIRED




STEP 3

PARTS REQUIRED

4 - LEFT SIDE PANEL x1

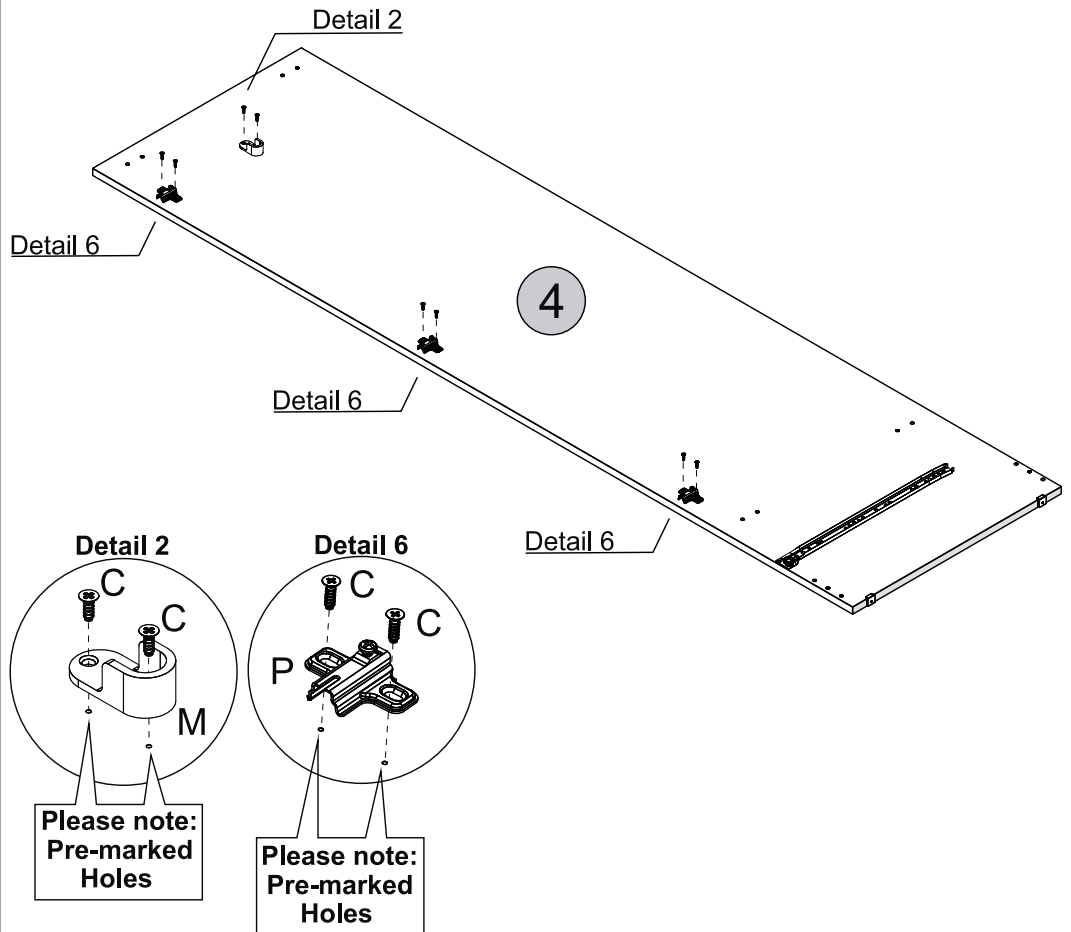
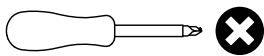
HARDWARE REQUIRED

C  08
Ø4,0 x 14mm

M  01

P  03

TOOLS REQUIRED

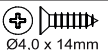



STEP 4

PARTS REQUIRED

6 - RIGHT SIDE PANEL x1

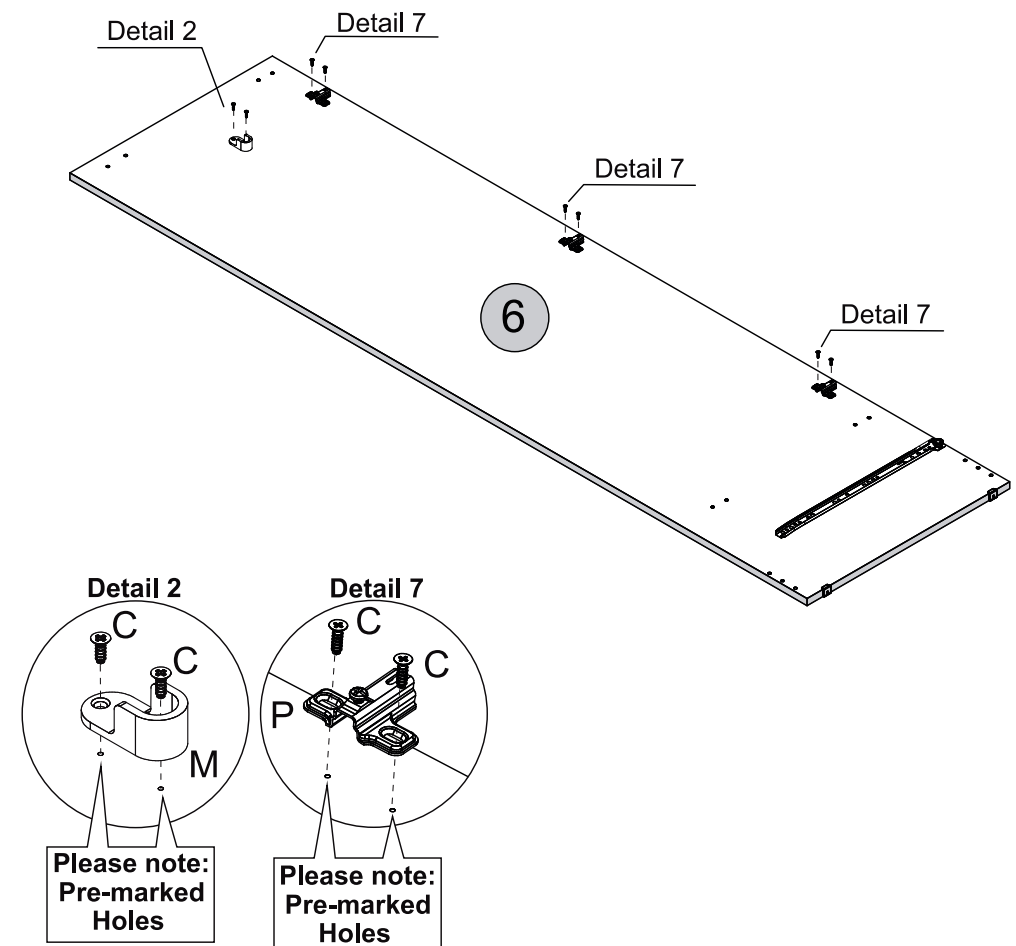
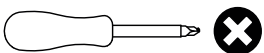
HARDWARE REQUIRED

C  08
Ø4,0 x 14mm

M  01

P  03

TOOLS REQUIRED




STEP 5

PARTS REQUIRED

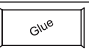
1A - BASE PANEL x1


1B - TOP PANEL x1


HARDWARE REQUIRED

G  08
Ø6,0 x 30mm

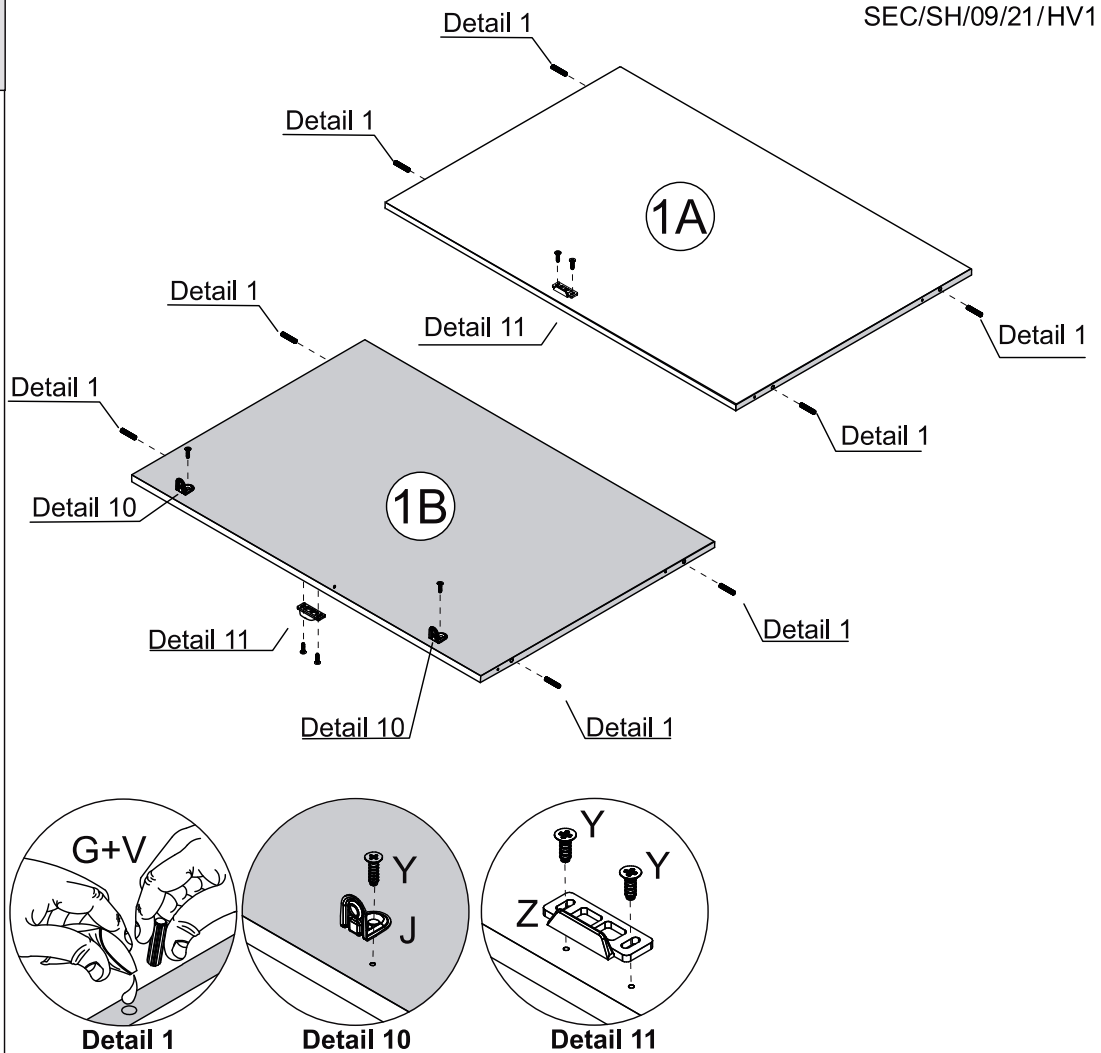
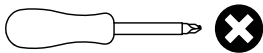
J  02

V  01

Y  06
Ø4,0 x 12mm

Z  02

TOOLS REQUIRED




STEP 6

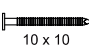
PARTS REQUIRED

7 - FRONT BASEBOARD x1

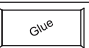
8 - BACK BASEBOARD x1

HARDWARE REQUIRED

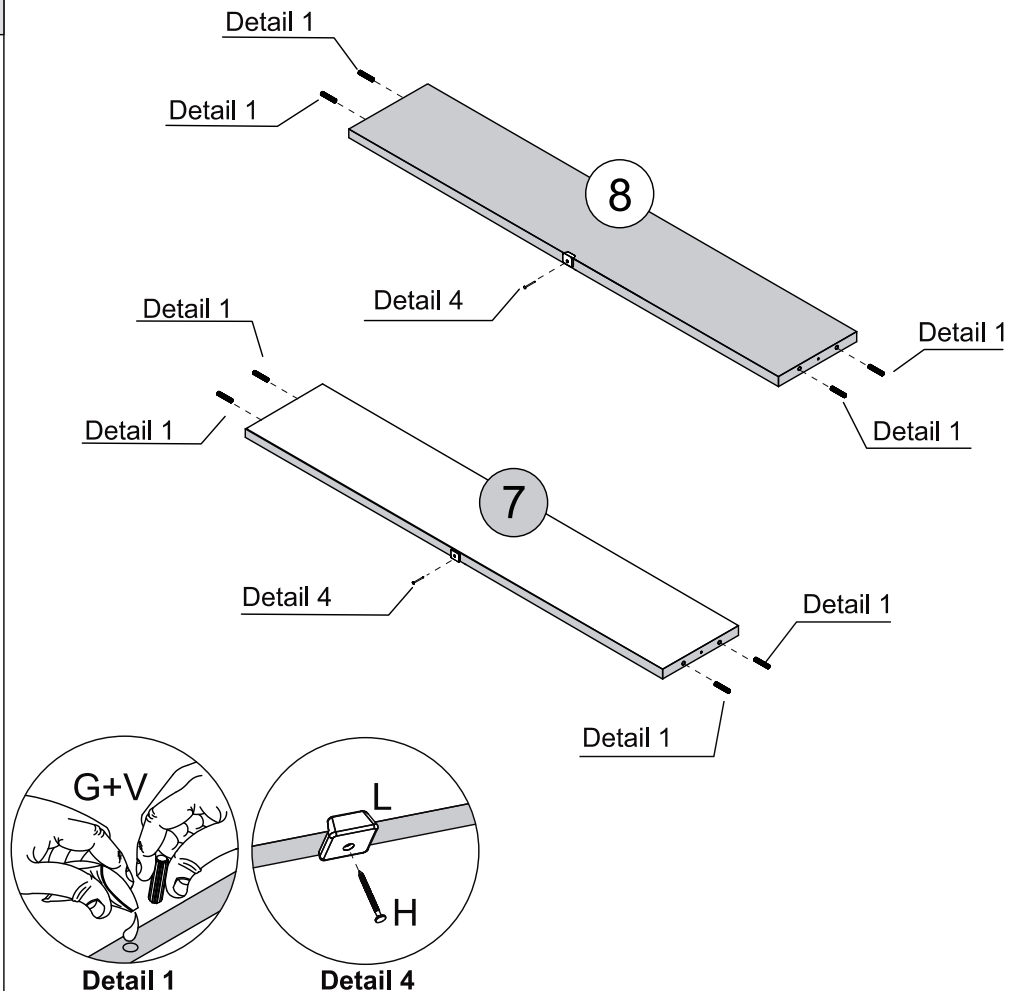
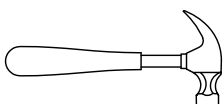
G  08
Ø6,0 x 30mm

H  02
10 x 10

L  02

V  01

TOOLS REQUIRED



STEP 7

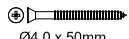
PARTS REQUIRED


1A - BASE PANEL x1

1B - TOP PANEL x1

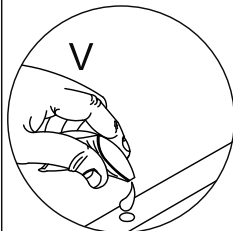
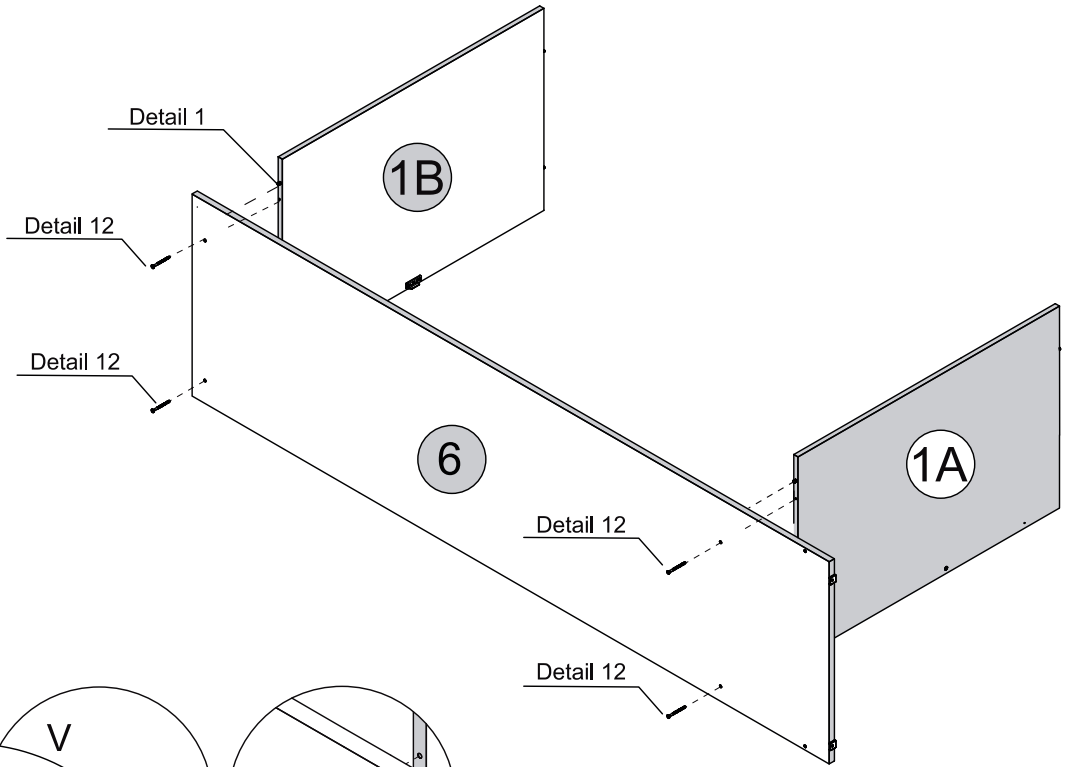
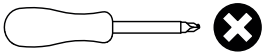
6 - RIGHT SIDE PANEL x1

HARDWARE REQUIRED

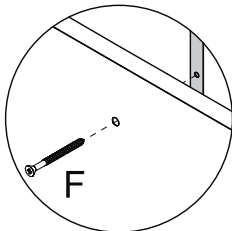
F  04
Ø4,0 x 50mm

V  01

TOOLS REQUIRED



Detail 1



Detail 12

STEP 8

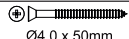
PARTS REQUIRED


4 - LEFT SIDE PANEL x1

7 - FRONT BASEBOARD x1

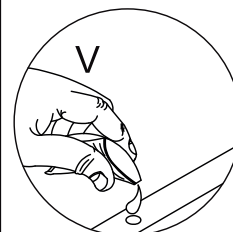
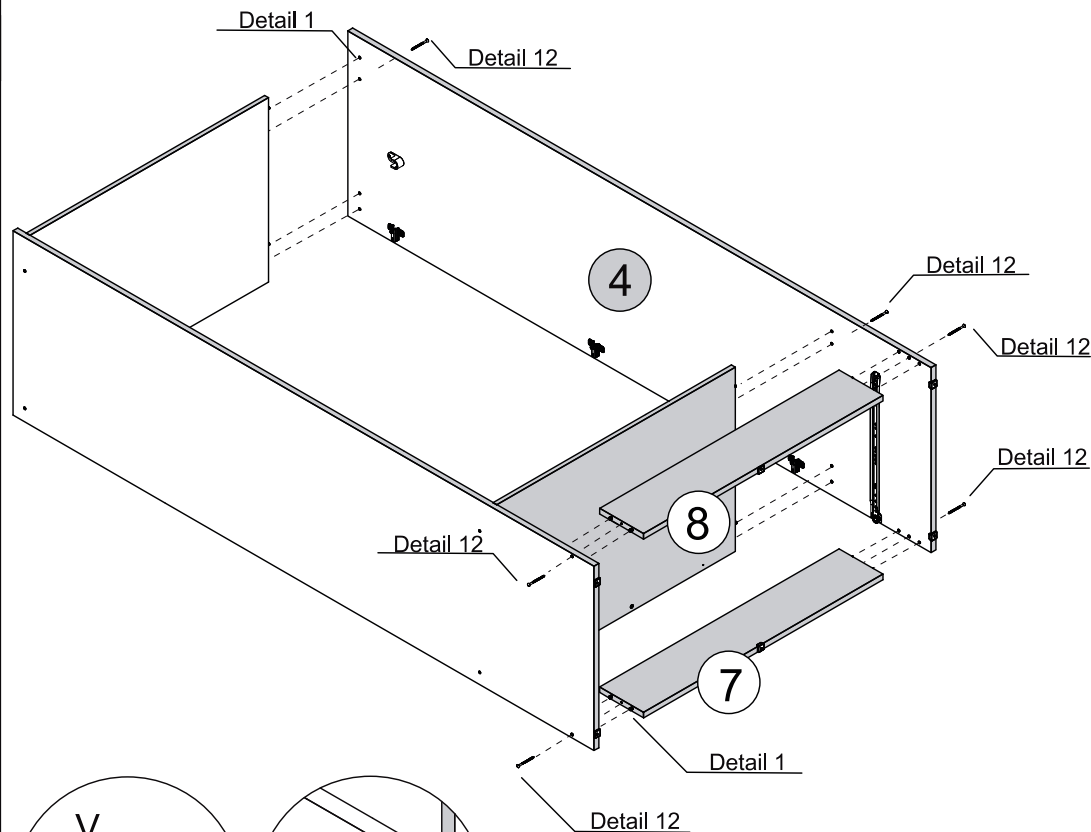
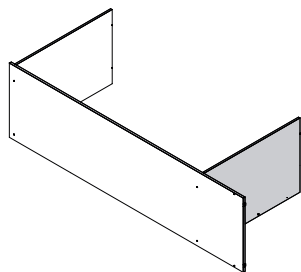
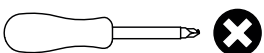
8 - BACK BASEBOARD x1

HARDWARE REQUIRED

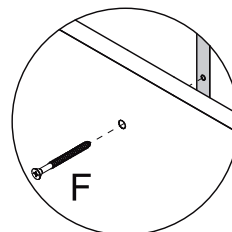
F  08
Ø4,0 x 50mm

V  01

TOOLS REQUIRED



Detail 1

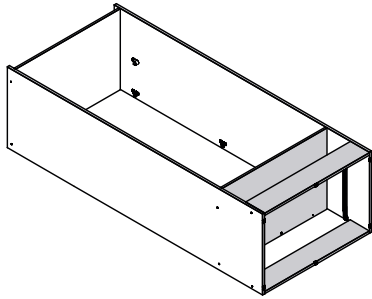


Detail 12

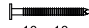
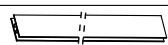
STEP 9

PARTS REQUIRED

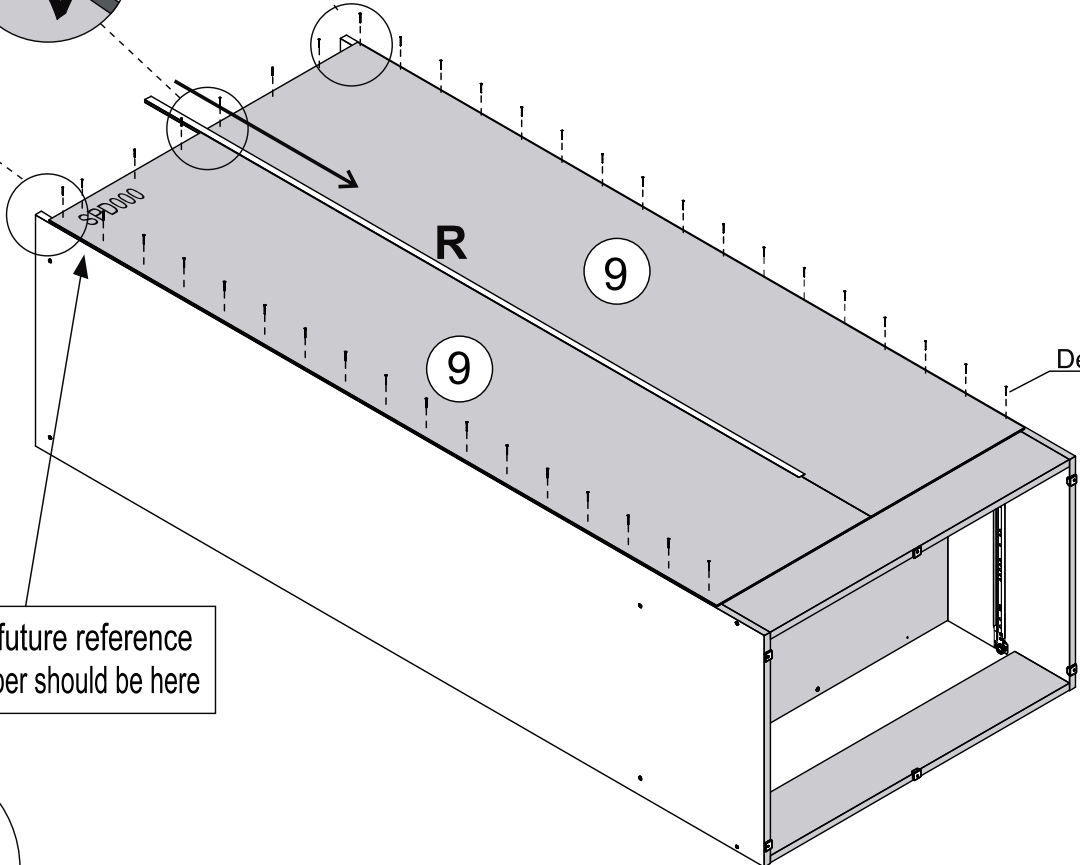
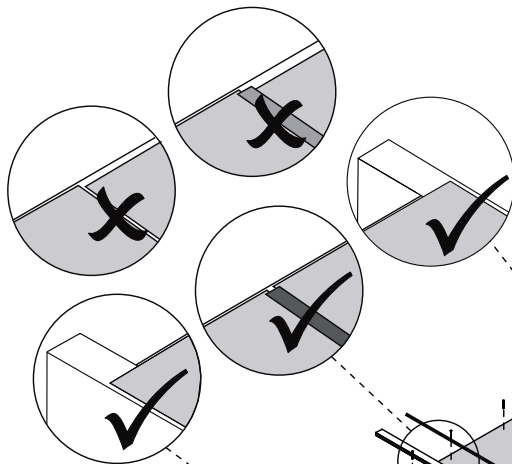
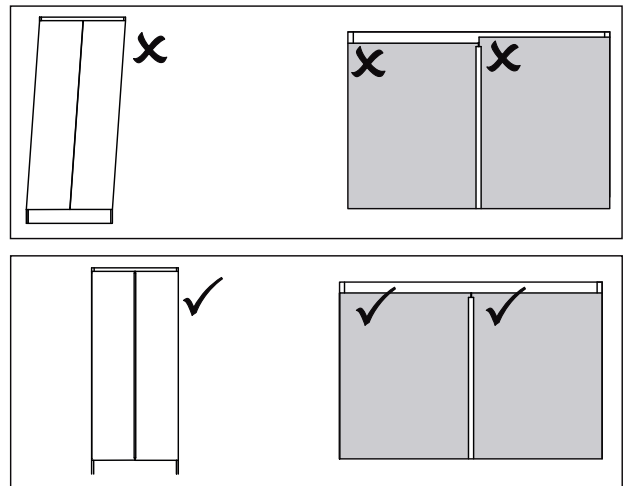
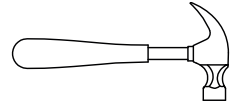
9 - BACK PANEL x2



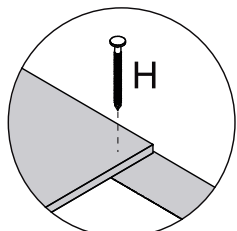
HARDWARE REQUIRED

H	 10 x 10	40
R		01

TOOLS REQUIRED



* For your future reference
Order Number should be here

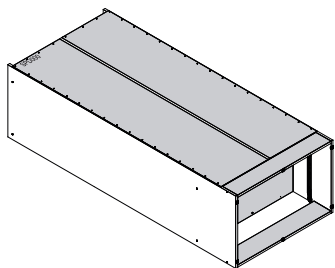


Detail 13

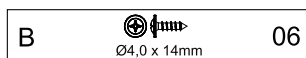
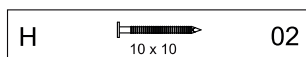
STEP 10

SEC/SH/09/21/HV1

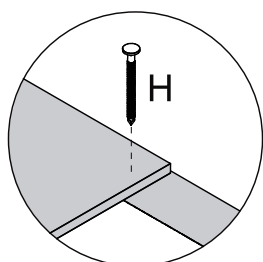
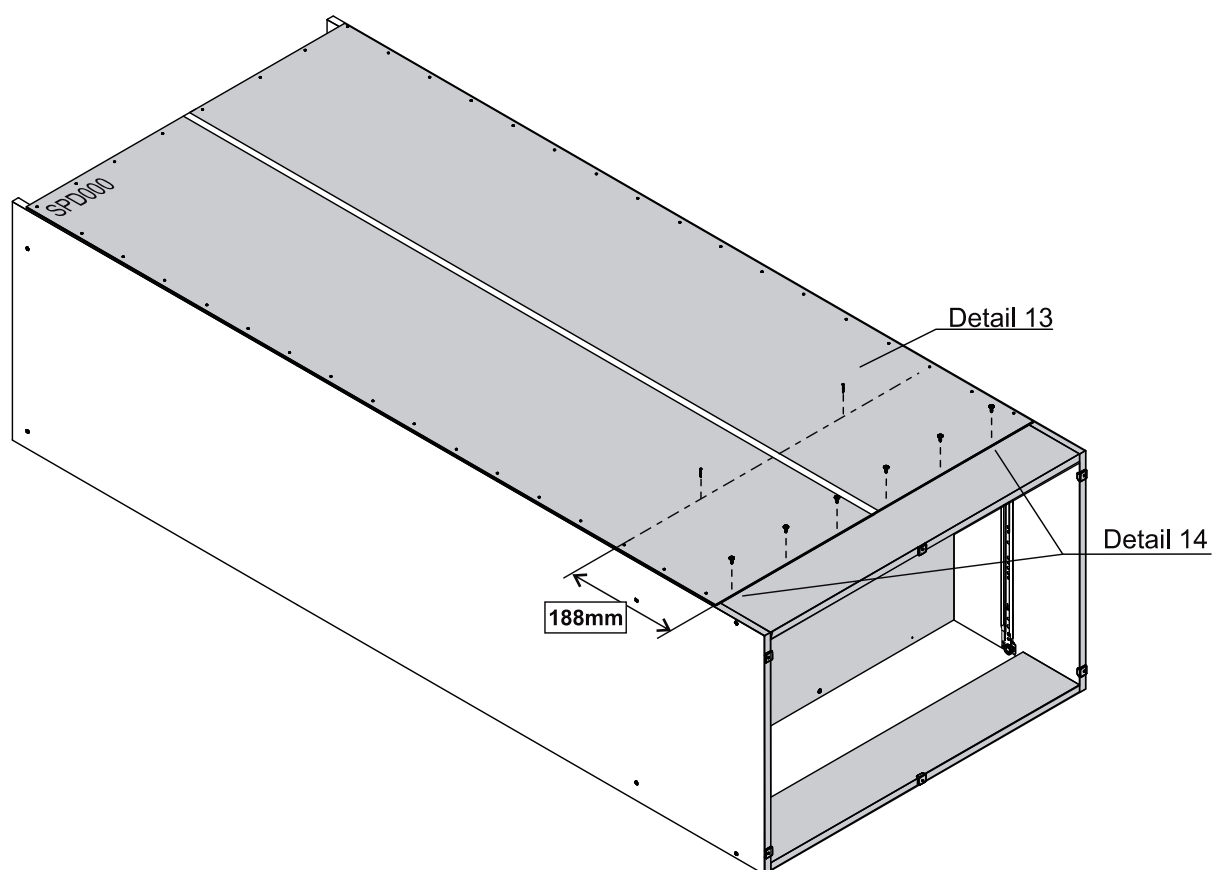
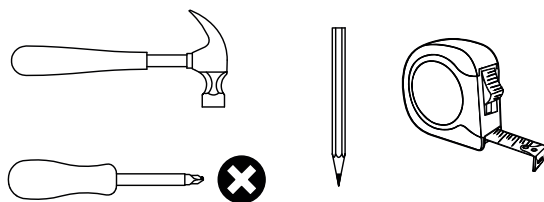
PARTS REQUIRED



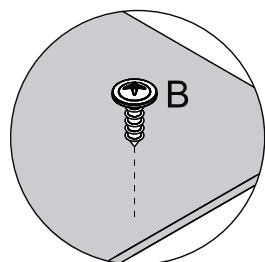
HARDWARE REQUIRED



TOOLS REQUIRED



Detail 13

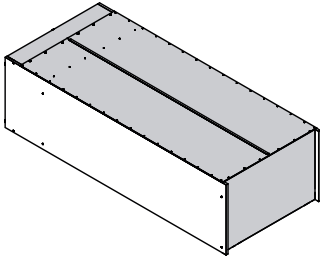


Detail 14


STEP 11

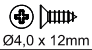
PARTS REQUIRED

10 - FRAME x1

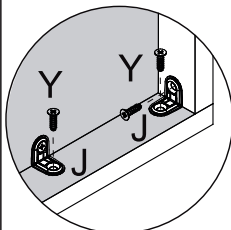
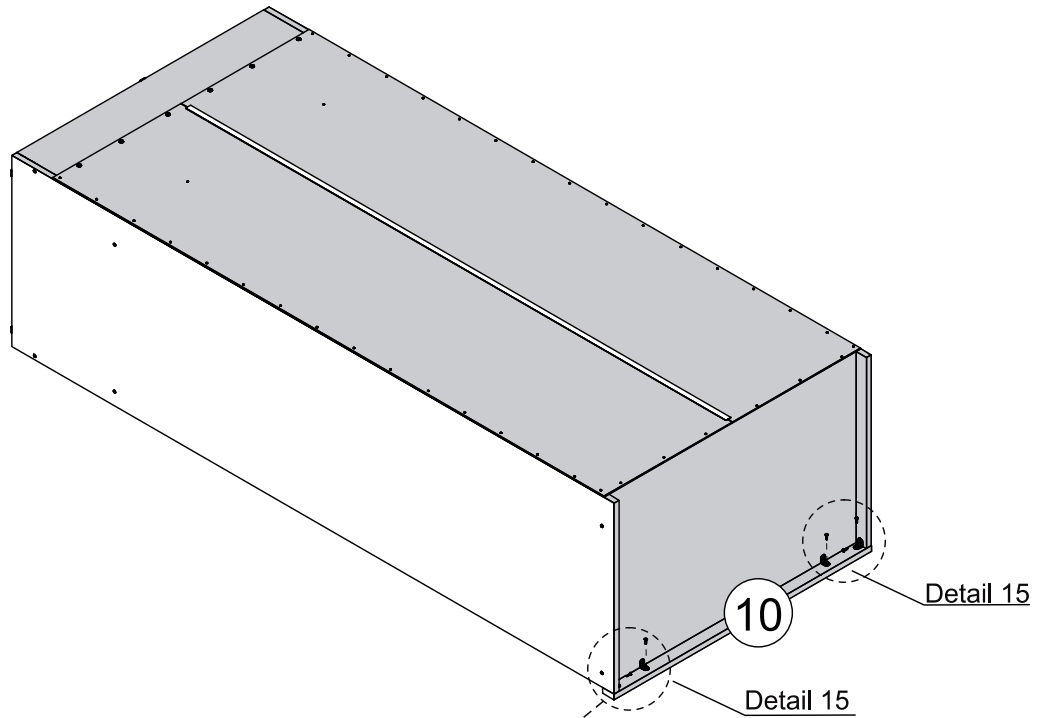
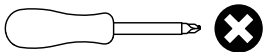


HARDWARE REQUIRED

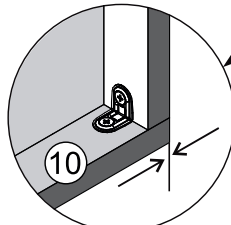
J  02

Y  06
Ø4,0 x 12mm

TOOLS REQUIRED



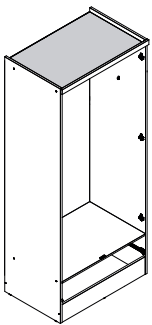
Detail 15



Align corners

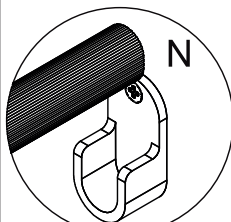
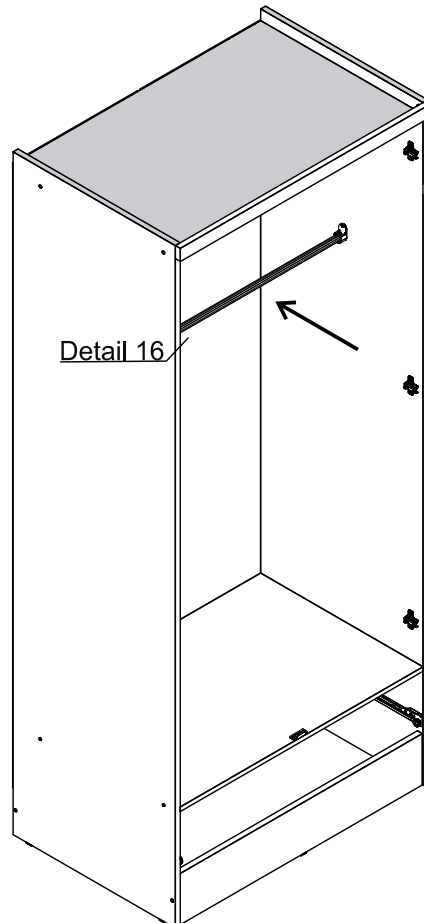
STEP 12

PARTS REQUIRED



HARDWARE REQUIRED

N  01



Detail 16

STEP 13


PARTS REQUIRED

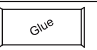
15 - DRAWER SIDE x2

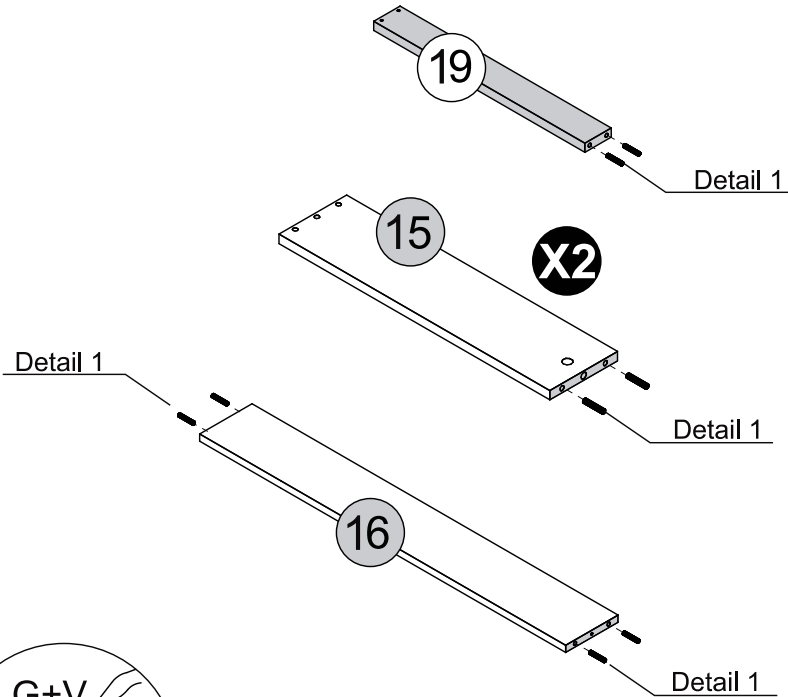
16 - DRAWER BACK PANEL x1

19 - DRAWER BOTTOM SUPPORT BAR x1

HARDWARE REQUIRED

G  10
Ø6,0 x 30mm

V  01
Glue



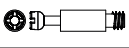
Detail 1

STEP 14

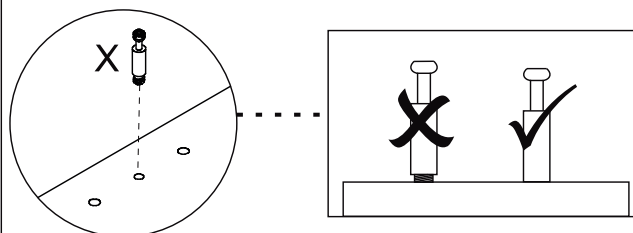
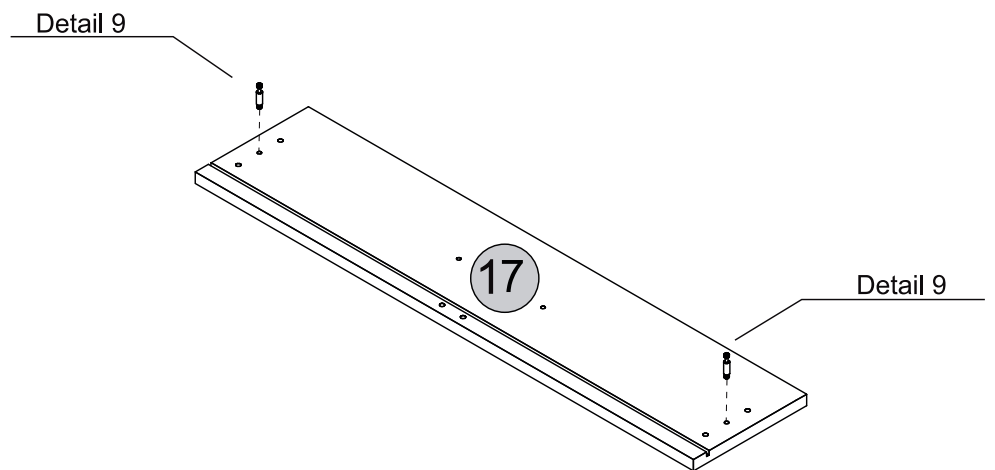
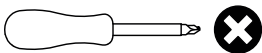
PARTS REQUIRED

17 - DRAWER FRONT x1

HARDWARE REQUIRED

X  02

TOOLS REQUIRED



Detail 9

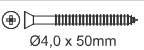
STEP 15

PARTS REQUIRED

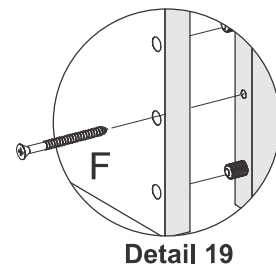
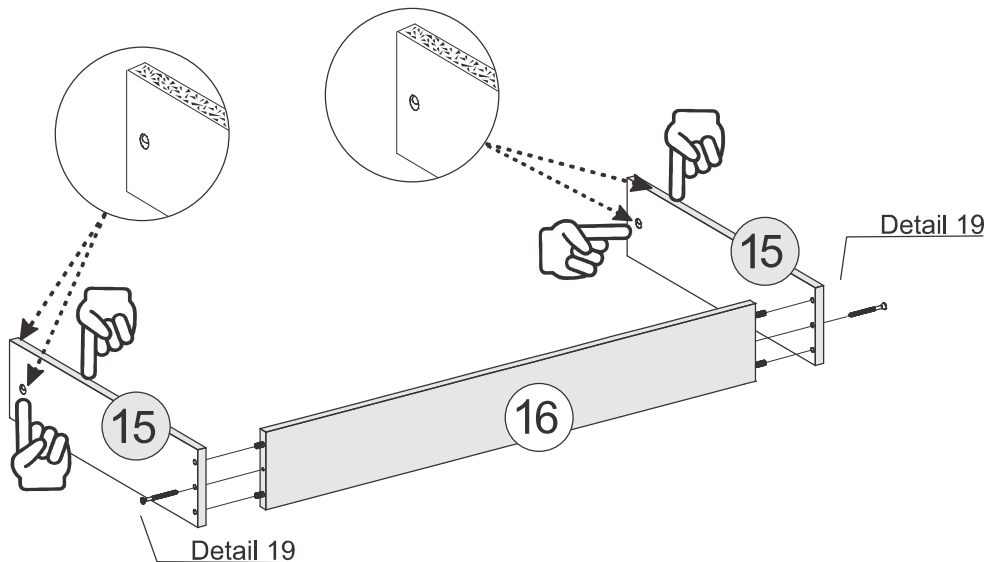
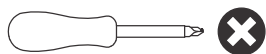
15 - DRAWER SIDE x2

16 - DRAWER BACK PANEL x1

HARDWARE REQUIRED

F  02
Ø4,0 x 50mm

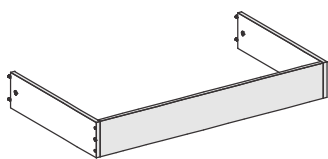
TOOLS REQUIRED



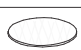
STEP 16

PARTS REQUIRED

17 - DRAWER FRONT x1



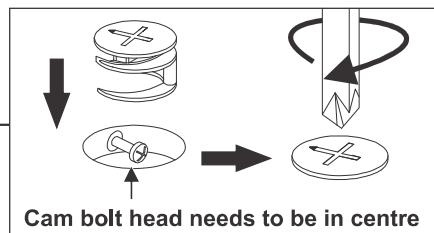
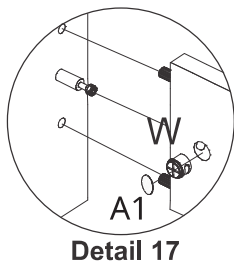
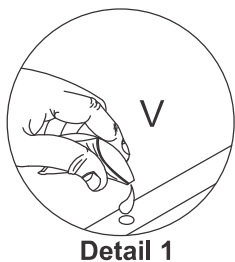
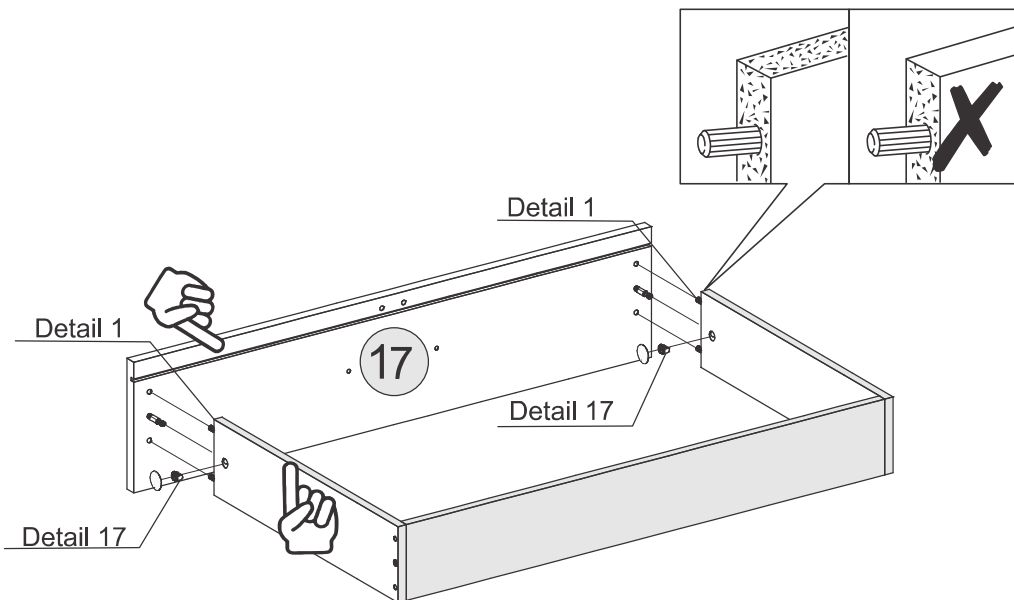
HARDWARE REQUIRED

A1  02

V  01

W  02

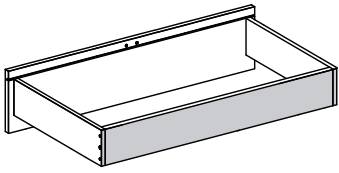
TOOLS REQUIRED



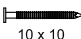
STEP 17

PARTS REQUIRED

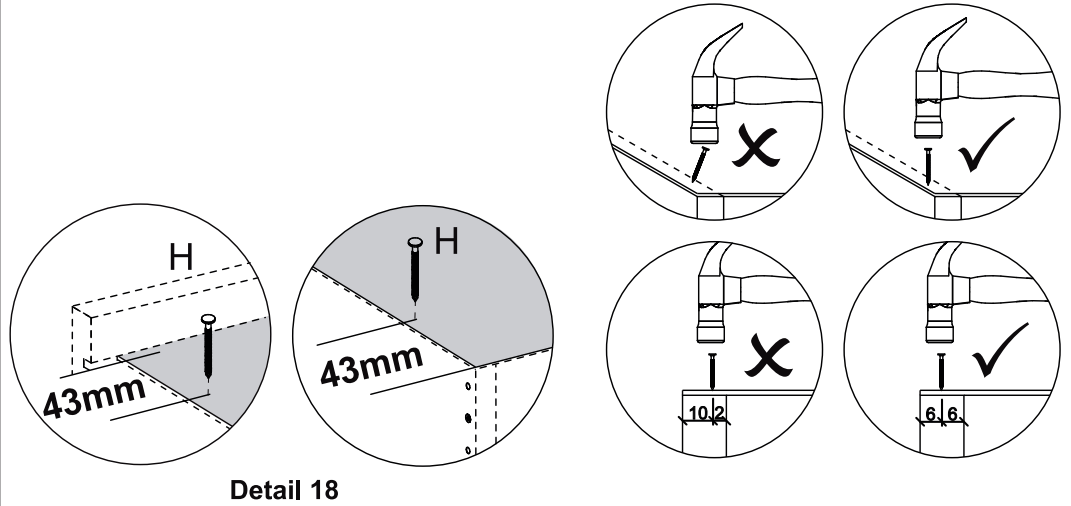
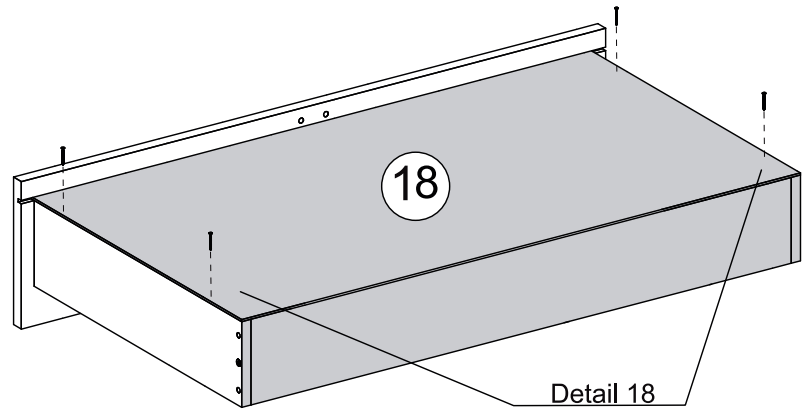
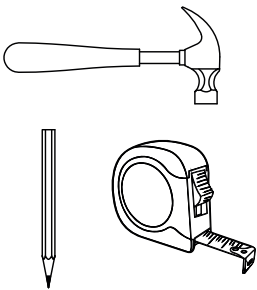
18 - DRAWER BOTTOM x1



HARDWARE REQUIRED

H  04
10 x 10

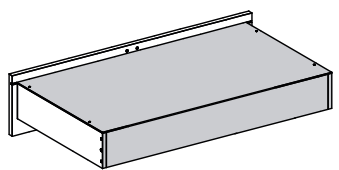
TOOLS REQUIRED



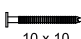
STEP 18

PARTS REQUIRED

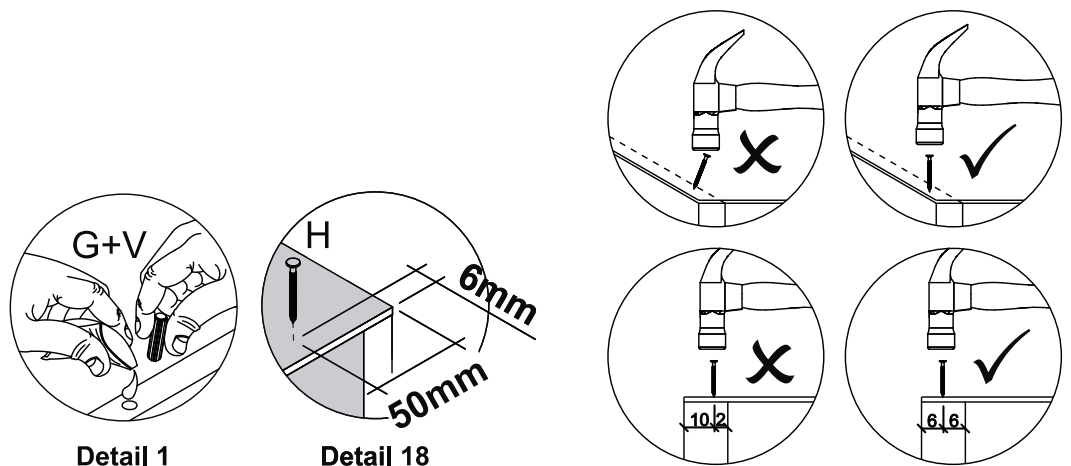
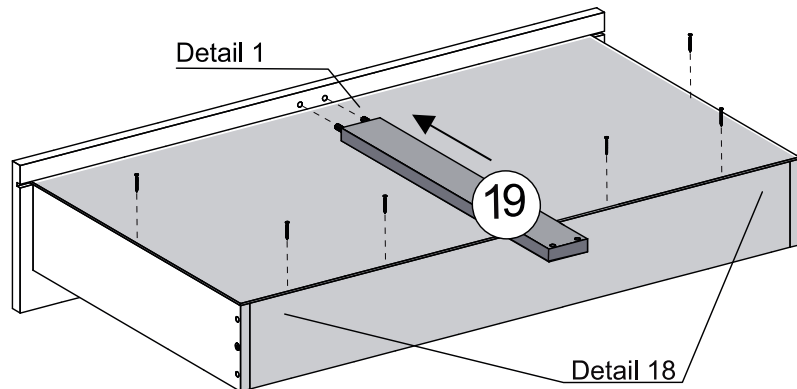
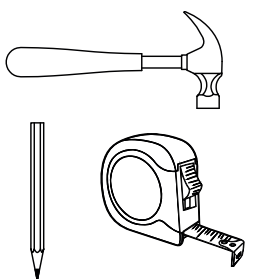
19 - DRAWER BOTTOM SUPPORT BAR x1



HARDWARE REQUIRED

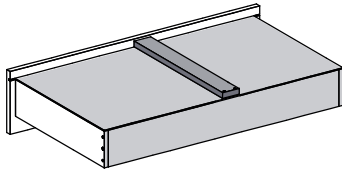
H  06
10 x 10

TOOLS REQUIRED

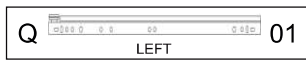
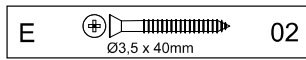
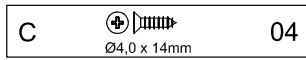


STEP 19

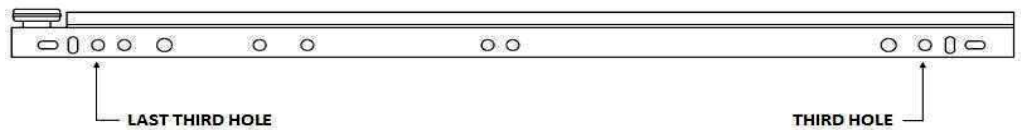
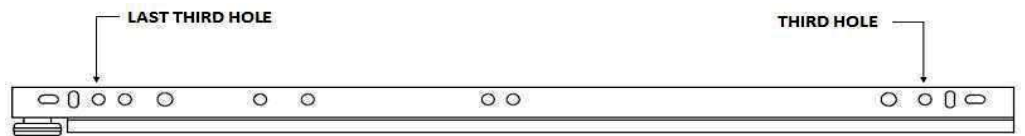
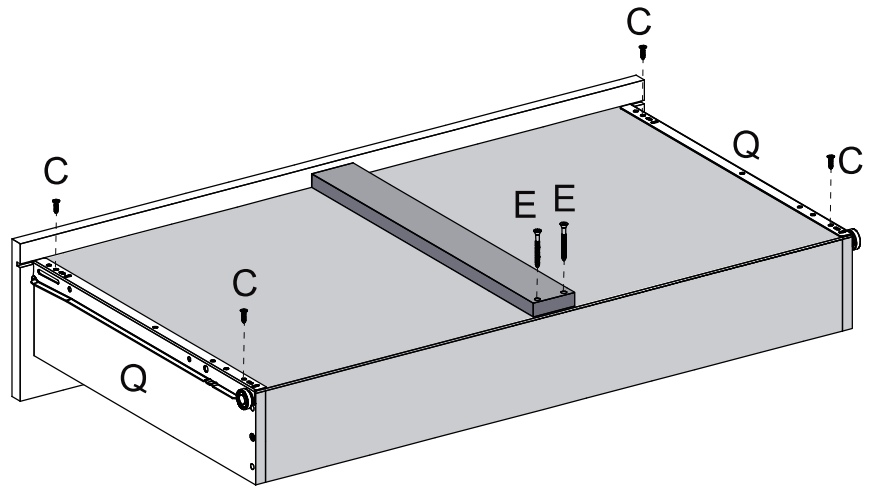
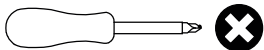
PARTS REQUIRED



HARDWARE REQUIRED



TOOLS REQUIRED

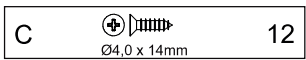


STEP 20

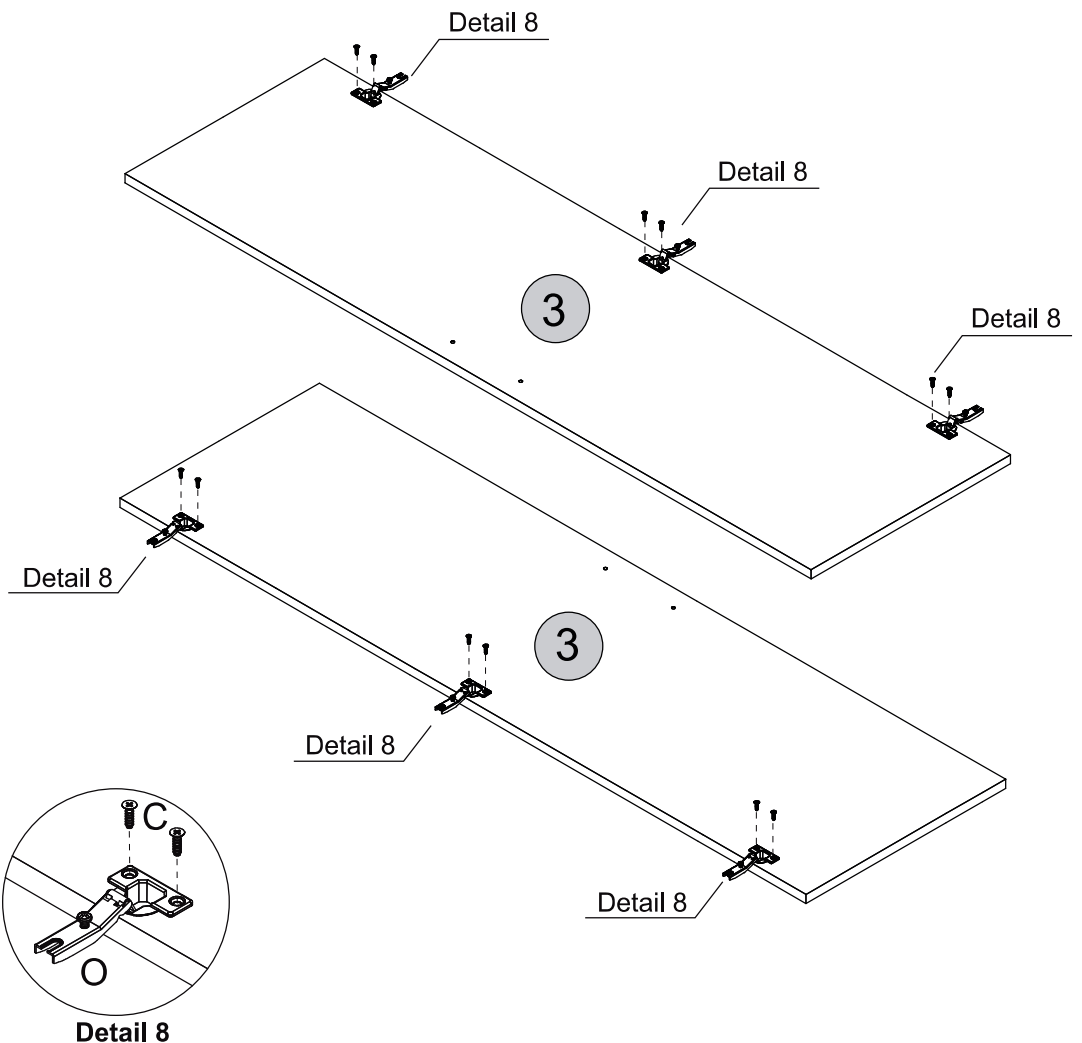
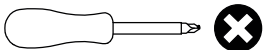
PARTS REQUIRED



HARDWARE REQUIRED



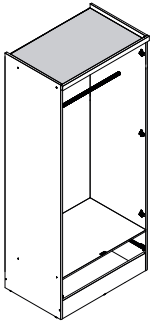
TOOLS REQUIRED



STEP 21

PARTS REQUIRED

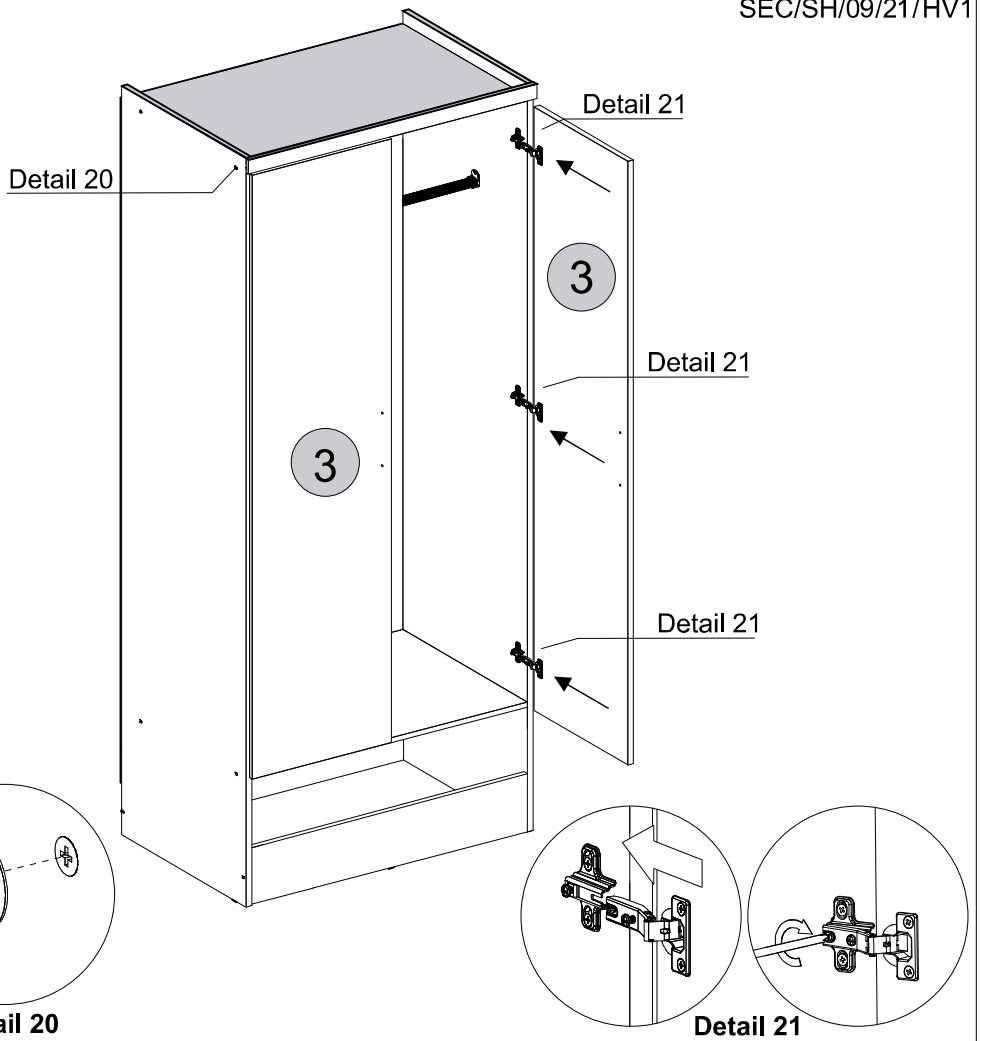
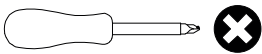
3 - DOOR x2



HARDWARE REQUIRED

U  12

TOOLS REQUIRED

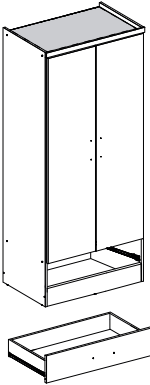


Detail 20

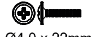
Detail 21

STEP 22

PARTS REQUIRED

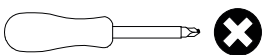


HARDWARE REQUIRED

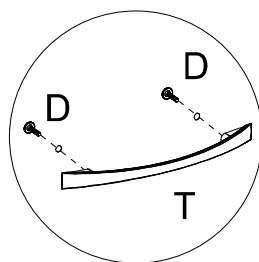
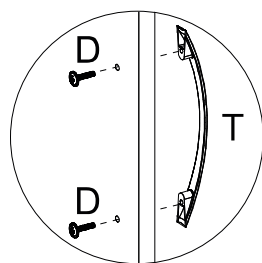
D  06
Ø4,0 x 22mm

T  03

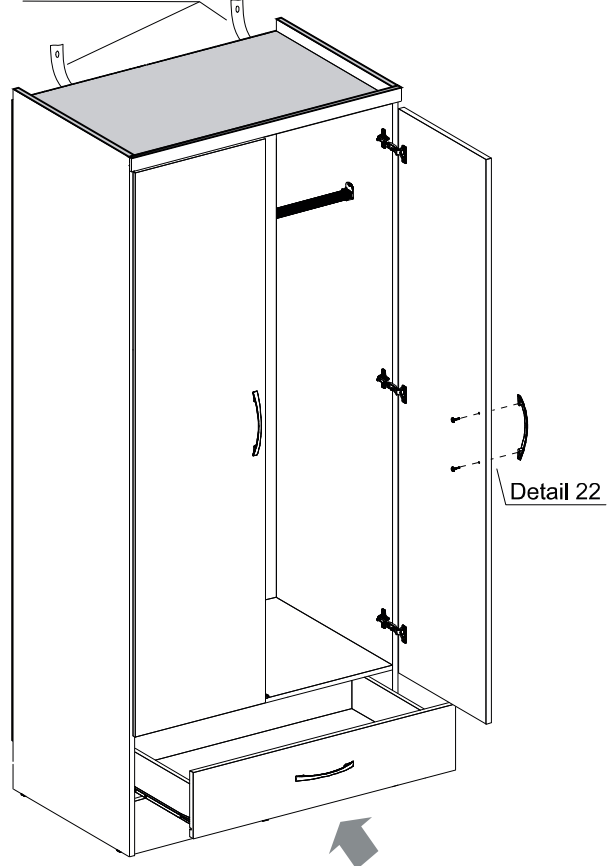
TOOLS REQUIRED




See the last page



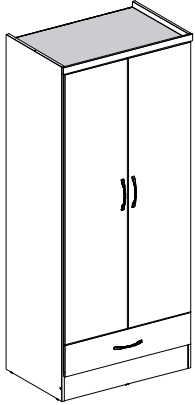
Detail 22



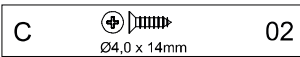
Detail 22

STEP 23

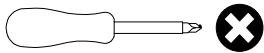
PARTS REQUIRED



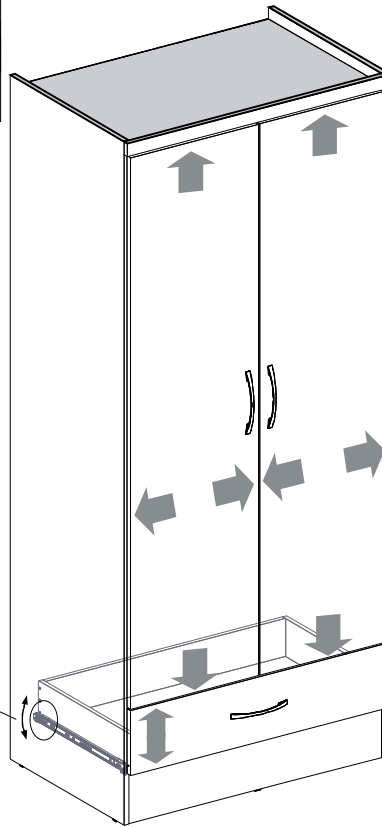
HARDWARE REQUIRED



TOOLS REQUIRED



TIP
If desired, after assembly use an alcohol cleaner to erase the number printed on the parts.

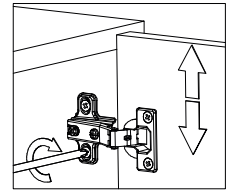


Detail 23

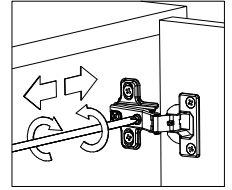
Drawer Adjustment Drawer Lock

Detail 23

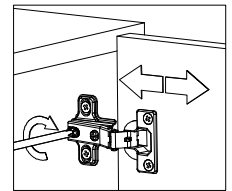
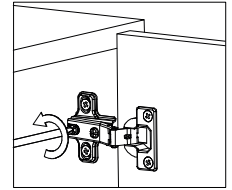
Height Adjustment



Internal Adjustment



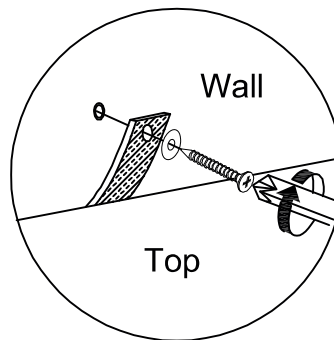
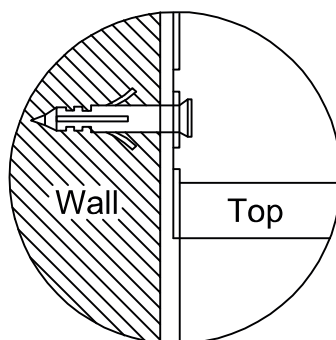
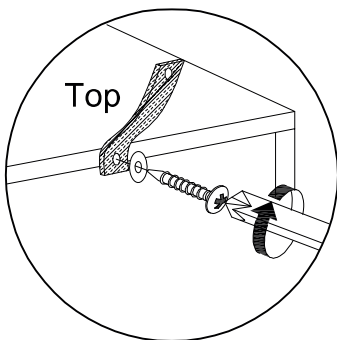
Depth Adjustment



WARNING

Serious or fatal injuries can occur from furniture tipping over. To prevent the furniture from tipping over we recommend that it is permanently fixed to the wall.

Wall fixings are not supplied with this product as different wall materials require different types of fixing devices. Please make sure you use fixings suitable for the walls in your home.

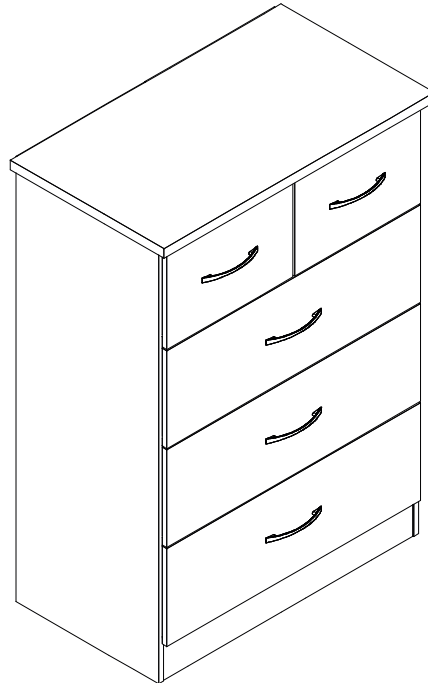


I Flan Head Screw
Ø3,5 x 30mm (2x)

K Washer (4x)

S Strap (2x)

NEVADA 3+2 DRAWER CHEST ASSEMBLY INSTRUCTIONS BLACK GLOSS

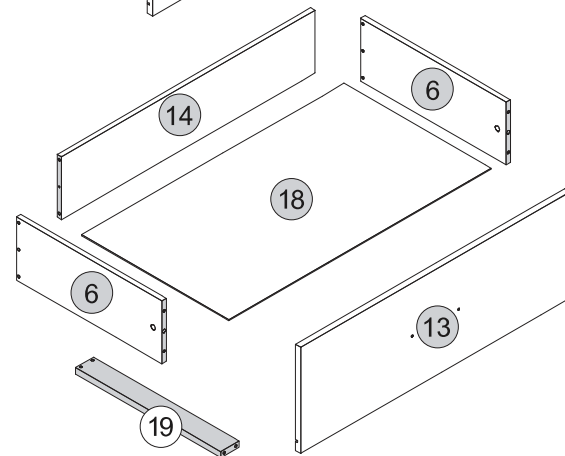
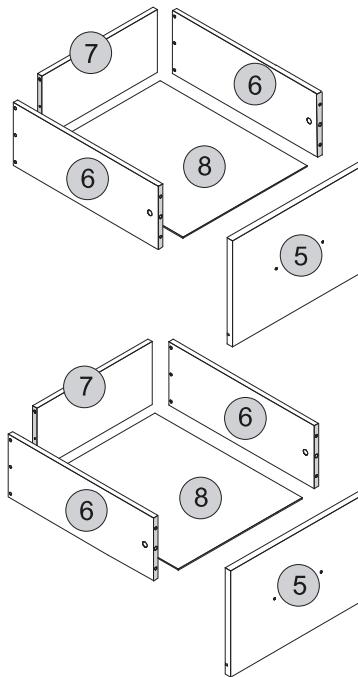
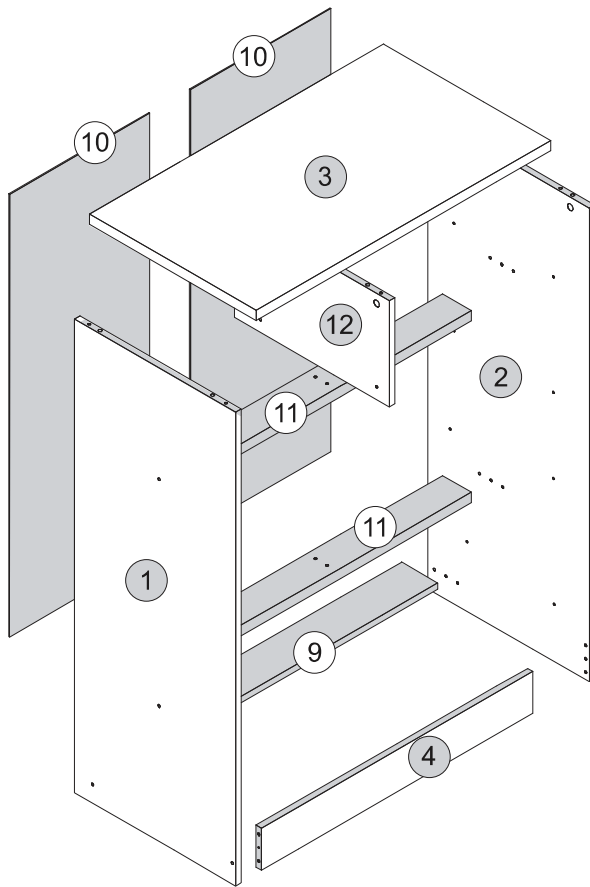
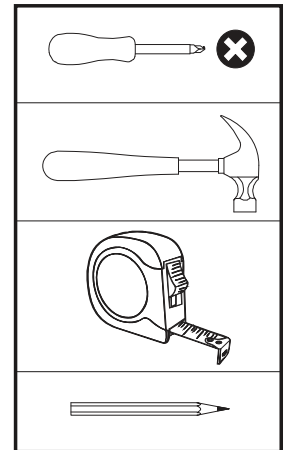


IMPORTANT FOR DOMESTIC USE ONLY PLEASE READ BEFORE YOU CONTINUE FURTHER CARE AND MAINTENANCE

After unpacking this product please keep the original packaging in case it needs to be returned for any reason.

- Please ensure all fittings and parts are present before commencing with assembly.
- Never drag or push products as this could cause damage to the joints making it inferior.
- We strongly recommend that you keep children away from your work area.
- We recommend that you lay a blanket or sheet on the floor to avoid damage to both your floor and the product.
- Assemble this product as close to its final position as possible.
- Do not place this product next to a radiator or in direct sunlight.
- Do not drag or push items across your high gloss furniture as this may cause the surface to scratch
- Wood is a natural product and may expand if subjected to damp and may shrink or crack if subjected to heat. Therefore it is recommended that room temperature is maintained, with no sudden temperature fluctuations.
- Make sure any spillage is wiped off immediately.
- Do not place hot or chilled items directly on to the surface, use a place mat or marking will occur.
- For general cleaning use a soft cotton or micro fibre cloth, and do not use detergents of any kind.
- From time to time it may be necessary to tighten fittings, regular inspections should be carried out.
- Do not place on a wet or damp floor as staining may occur to your floor.

TOOLS REQUIRED



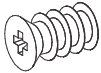
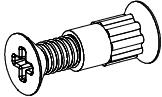
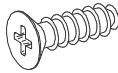
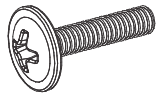
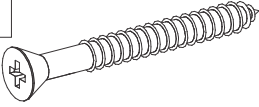
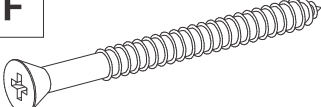
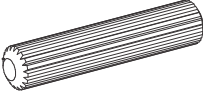


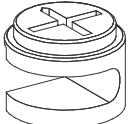

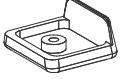

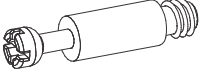


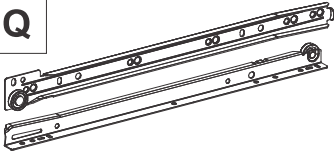

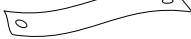

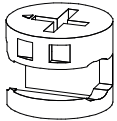

PARTS LIST

Please Note:
The below parts have all been stamped with the part number to help identify them during assembly.

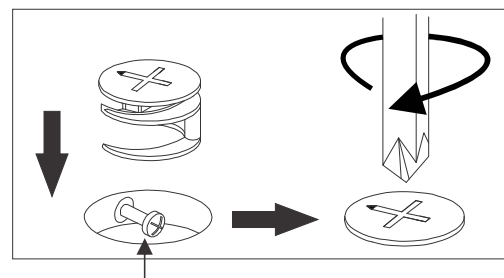
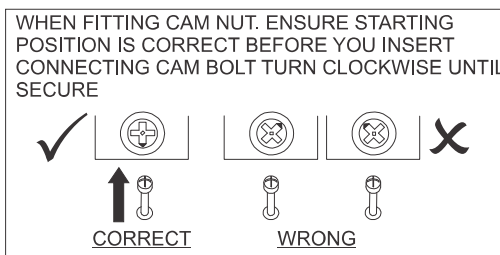
Part Number	Part Code	Part Description	Quantity	Carton
01	S100-102-158-HV1-01	Left Side Panel	1	1/2
02	S100-102-158-HV1-02	Right Side Panel	1	1/2
03	S100-102-158-HV1-03	Top Panel	1	2/2
04	S100-102-158-HV1-04	Front Baseboard	1	1/2
05	S100-102-158-HV1-05	Small Drawer Front	1	2/2
06	S100-102-158-HV1-06	Drawer Side	10	1/2
07	S100-102-158-HV1-07	Small Drawer Back Panel	2	1/2
08	S100-102-158-HV1-08	Small Drawer Bottom	2	1/2
09	S100-102-158-HV1-09	Back Baseboard	1	1/2
10	S100-102-158-HV1-10	Back Panel	1	1/2
11	S100-102-158-HV1-11	Crossbar	2	2/2
12	S100-102-158-HV1-12	Division Panel	1	1/2
13	S100-102-158-HV1-13	Large Drawer Front	3	2/2
14	S100-102-158-HV1-14	Large Drawer Back Panel	3	1/2
18	S100-102-158-HV1-18	Large Drawer Bottom	3	2/2
19	S100-102-158-HV1-19	Drawer Bottom Support Bar	3	1/2

FITTINGS LIST

SEC/SH/09/21/HV1

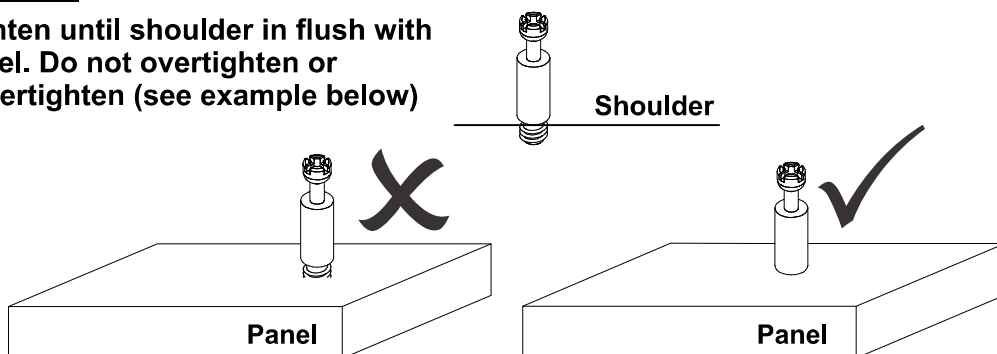
<p>A</p>  <p>Flat Head Screw 2/+ Ø6,0 x 10mm (16x)</p>	<p>B</p>  <p>Double Flat Head Screw 1/+ Ø4,0 x 18mm (2x)</p>	<p>C</p>  <p>Flat Head Screw 2/+ Ø4,0 x 14mm (30x)</p>	<p>D</p>  <p>Flan Head Screw 2/+ Ø4,0 x 20mm (10x)</p>
<p>E</p>  <p>Flat Head Screw 1/+ Ø3,5 x 40mm (6x)</p>	<p>F</p>  <p>Flat Head Screw 2/+ Ø4,0 x 50mm (19x)</p>	<p>G</p>  <p>2/+ Dowel Ø6,0 x 30mm (69x)</p>	<p>H</p>  <p>2/+ Nail 10x10 Ringed-1,5x23mm (84x)</p>
<p>I</p>  <p>1/+ Back Panel Bracket 14x14mm (2x)</p>	<p>J</p>  <p>2/+ Cam Nut Ø12x8,8MM (10x)</p>	<p>K</p>  <p>1/+ Washer Ø16x7 (4x)</p>	<p>L</p>  <p>1/+ Plastic Foot L 19x17x8mm Ø2 (6x)</p>
<p>M</p>  <p>Flan Head Screw 1/+ Ø3,5 x 30mm (2x)</p>	<p>N</p>  <p>2/+ Cam Bolt (16x)</p>	<p>O</p>  <p>2/+ Hole Plugs 19MM (9x)</p>	<p>P</p>  <p>Glue 10Gr (3x)</p>
<p>Q</p>  <p>Drawer Runners 400MM (5x)</p>	<p>R</p>  <p>Back Panel Strip H 799x19x3,8mm (1x)</p>	<p>S</p>  <p>Strap 200x20x1MM (2x)</p>	<p>T</p>  <p>Handle (5x)</p>
<p>U</p>  <p>1/+ Cam Nut Ø14,9x11MM (6x)</p>	<p>V</p>  <p>+2 Hole Plugs Líneo 19mm (9x)</p>		

TIPS FOR FITTINGS CAM-LOCKS



CAMBOLT

Tighten until shoulder is flush with panel. Do not overtighten or undertighten (see example below)

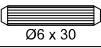


STEP 1

PARTS REQUIRED

1 - LEFT SIDE PANEL x1

HARDWARE REQUIRED

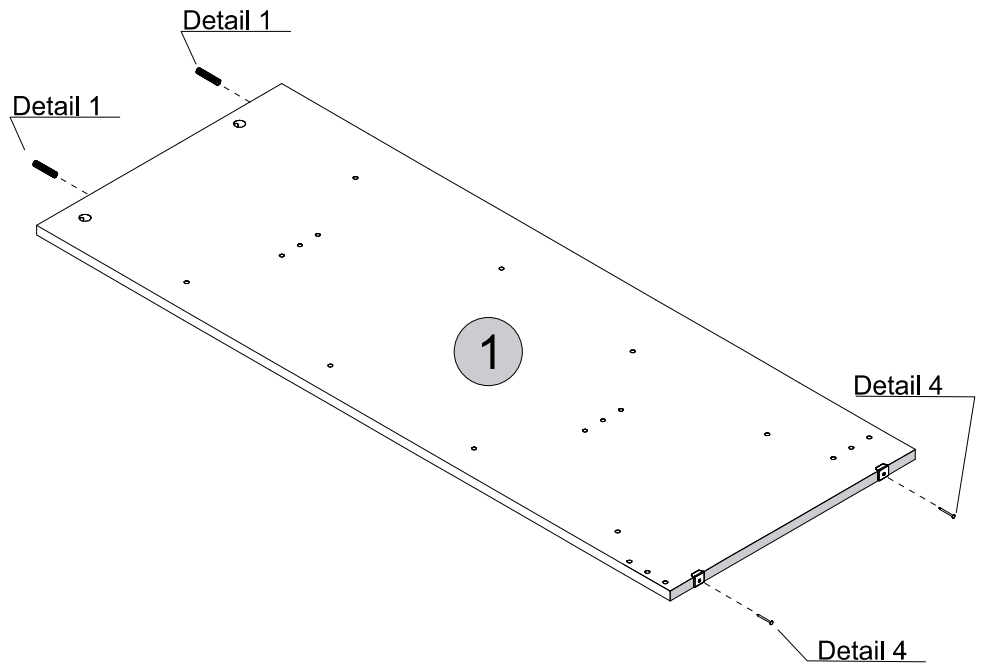
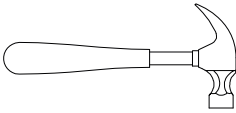
G  02
Ø6 x 30

H  02
10 x 10

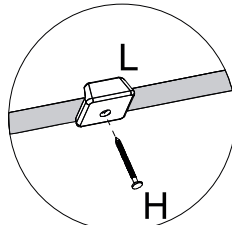
L  02

P  01
GLUE

TOOLS REQUIRED



Detail 1



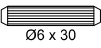
Detail 4

STEP 2

PARTS REQUIRED

2 - RIGHT SIDE PANEL x1

HARDWARE REQUIRED

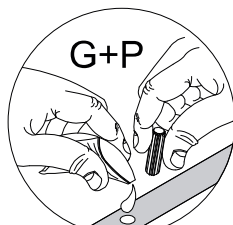
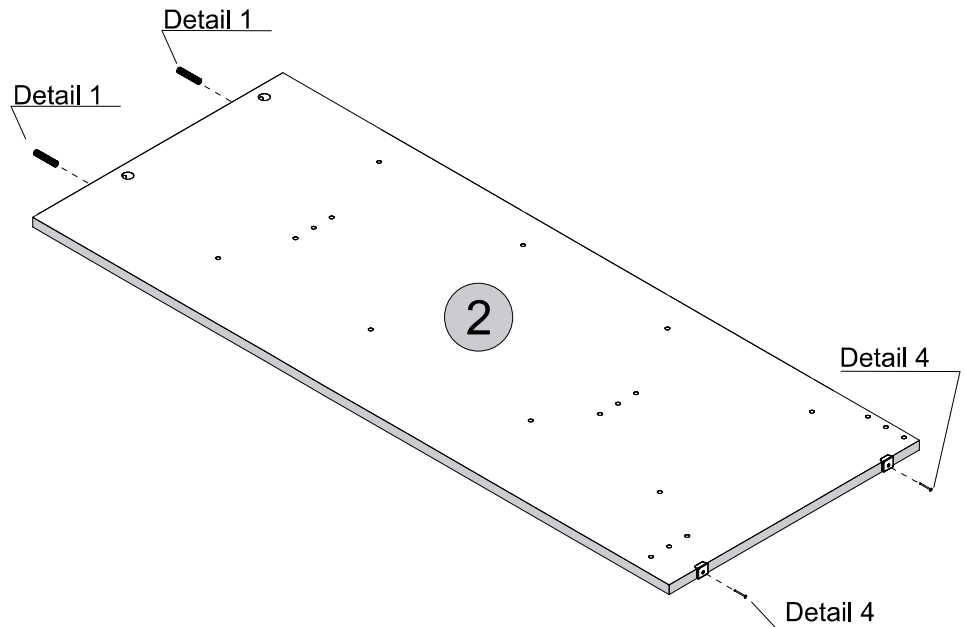
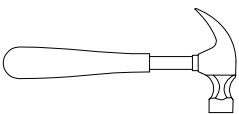
G  02
Ø6 x 30

H  02
10 x 10

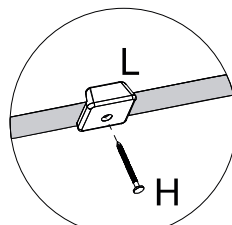
L  02

P  01
GLUE

TOOLS REQUIRED



Detail 1




Detail 4


STEP 3

PARTS REQUIRED

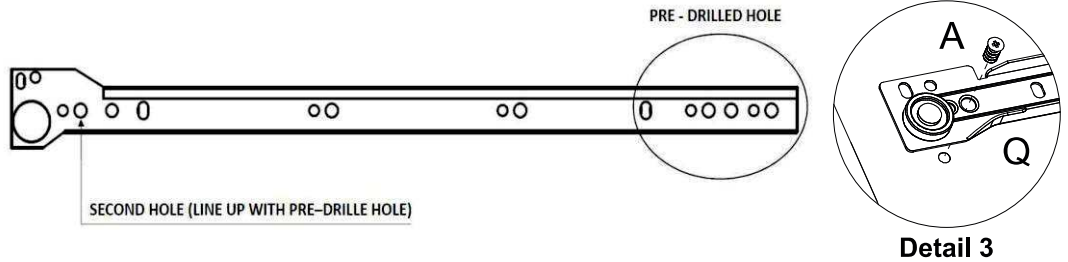
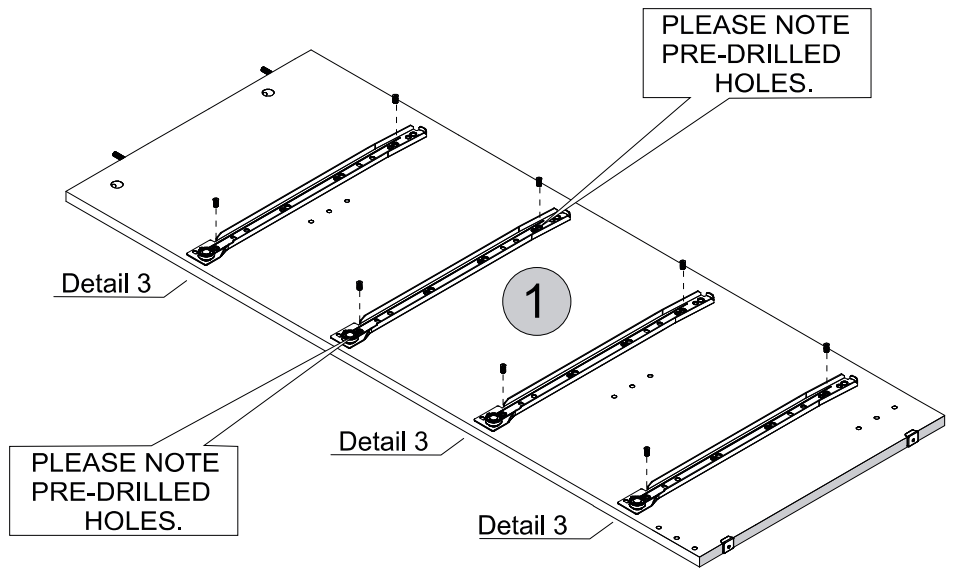
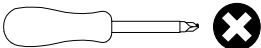
1 - LEFT SIDE PANEL x1

HARDWARE REQUIRED

A  08
Ø6 x 10

Q  04
LEFT

TOOLS REQUIRED





STEP 4

PARTS REQUIRED

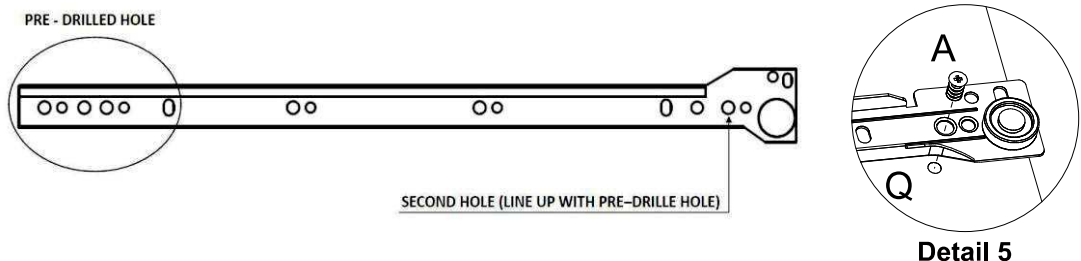
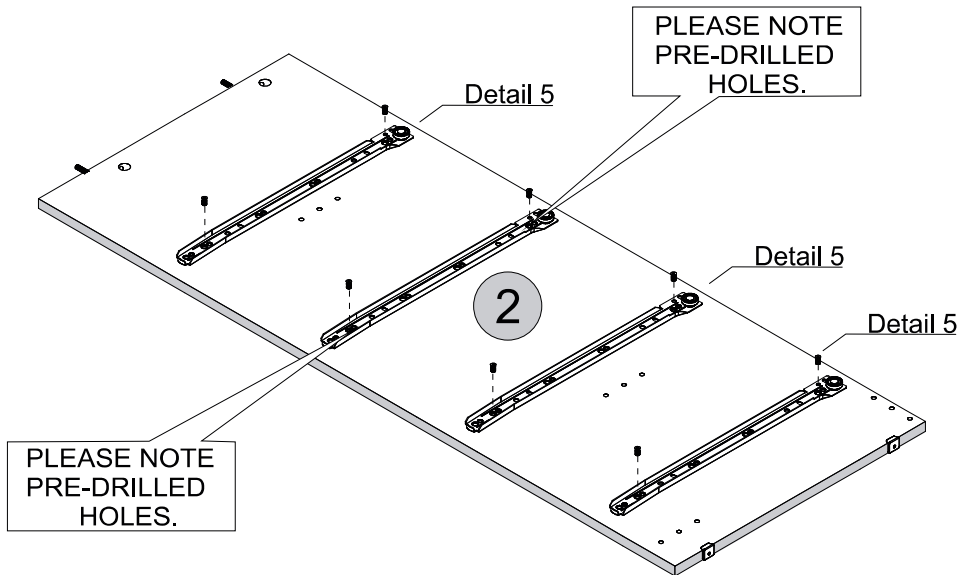
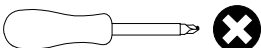
2 - RIGHT SIDE PANEL x1

HARDWARE REQUIRED

A  08
Ø6 x 10

Q  04
RIGHT

TOOLS REQUIRED



STEP 5

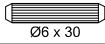
PARTS REQUIRED

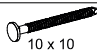
4 - FRONT BASEBOARD x1

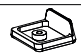
9 - BACK BASEBOARD x1

11 - CROSSBAR x2

HARDWARE REQUIRED

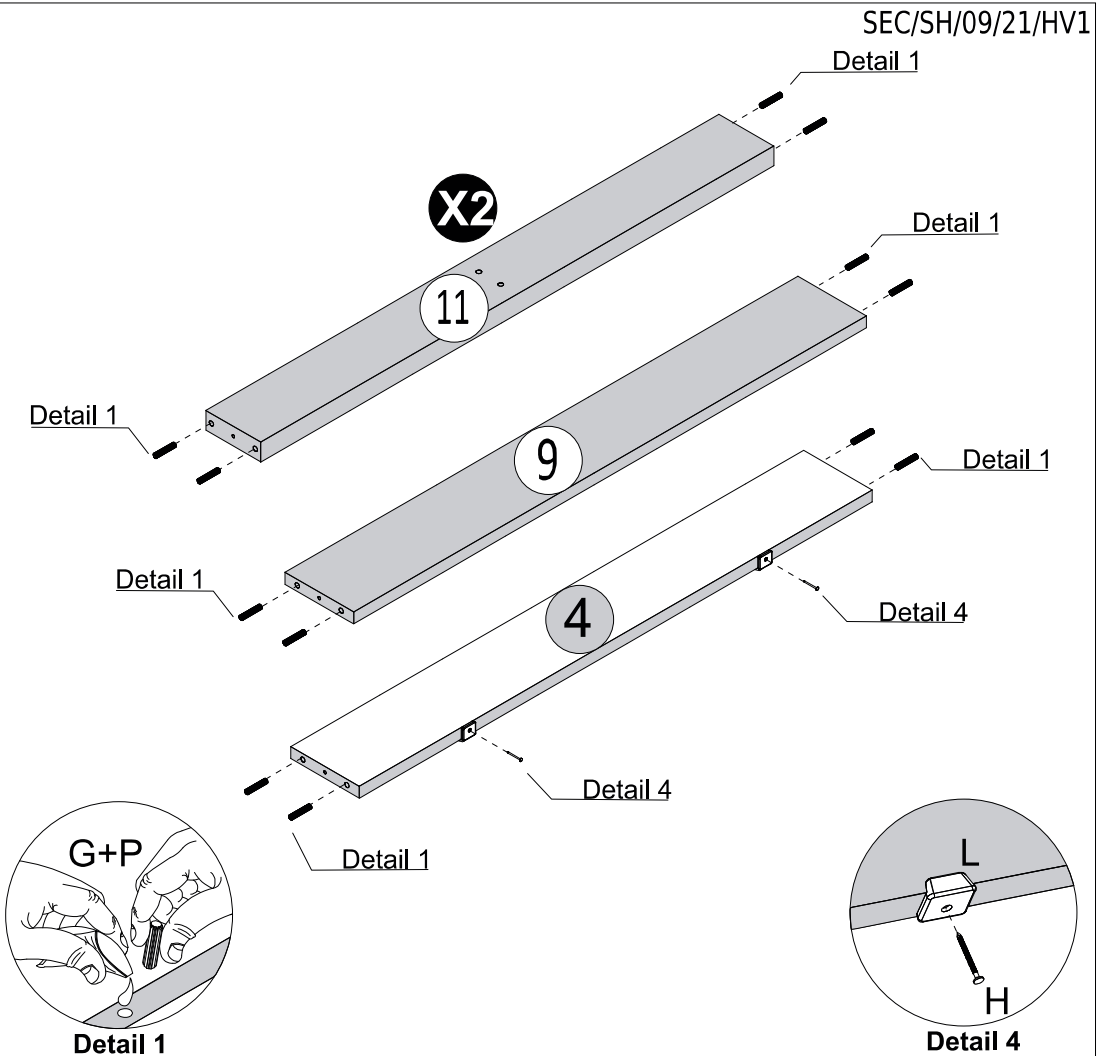
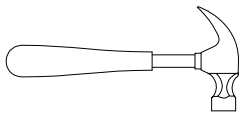
G  16
Ø6 x 30

H  02
10 x 10

L  02

P  01
GLUE

TOOLS REQUIRED




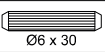
STEP 6

PARTS REQUIRED


12 - DIVISION PANEL x1

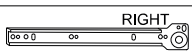
HARDWARE REQUIRED

B  02
Ø4.0 x 18mm

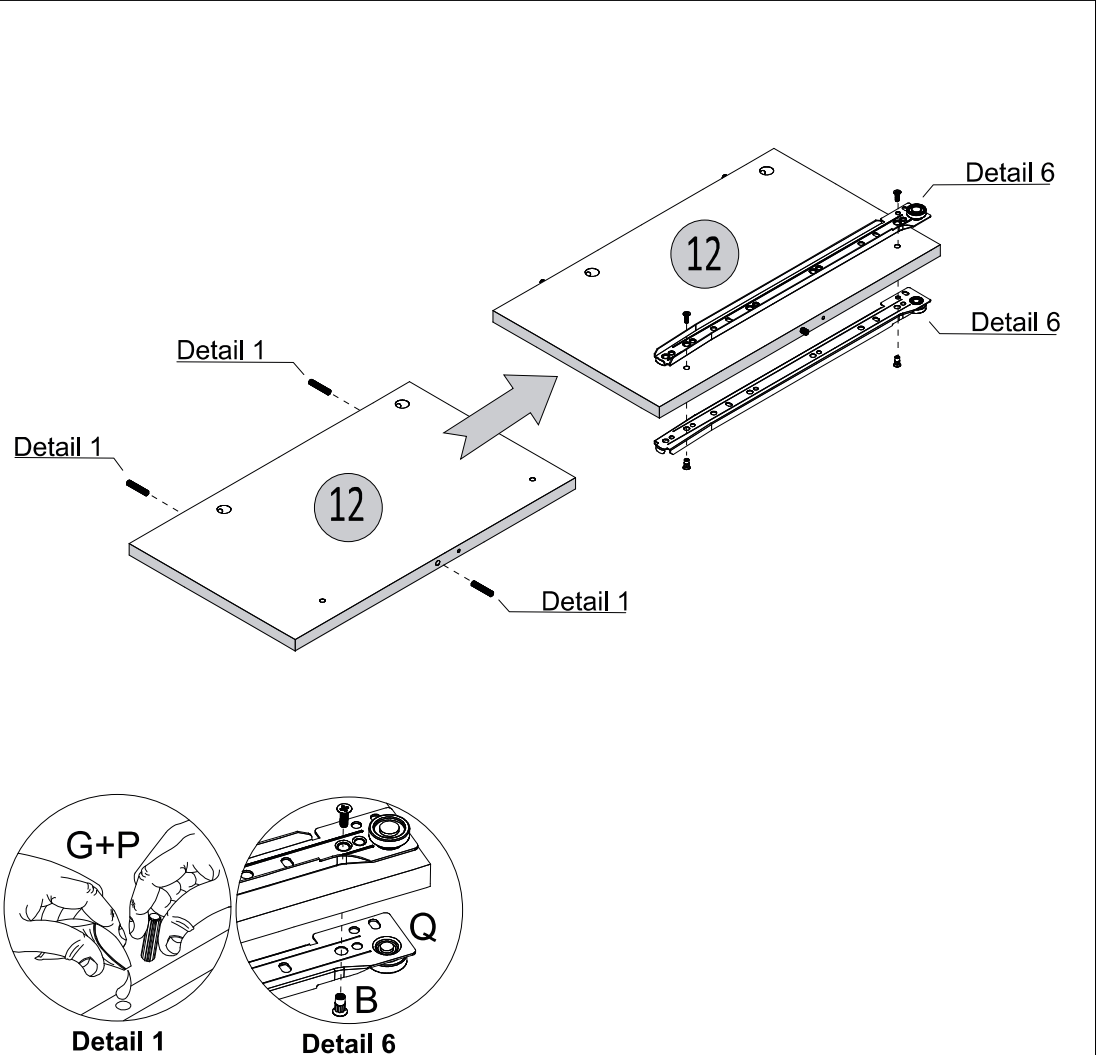
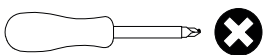
G  03
Ø6 x 30

P  01
GLUE

Q  01
LEFT

Q  01
RIGHT

TOOLS REQUIRED

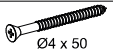



STEP 7

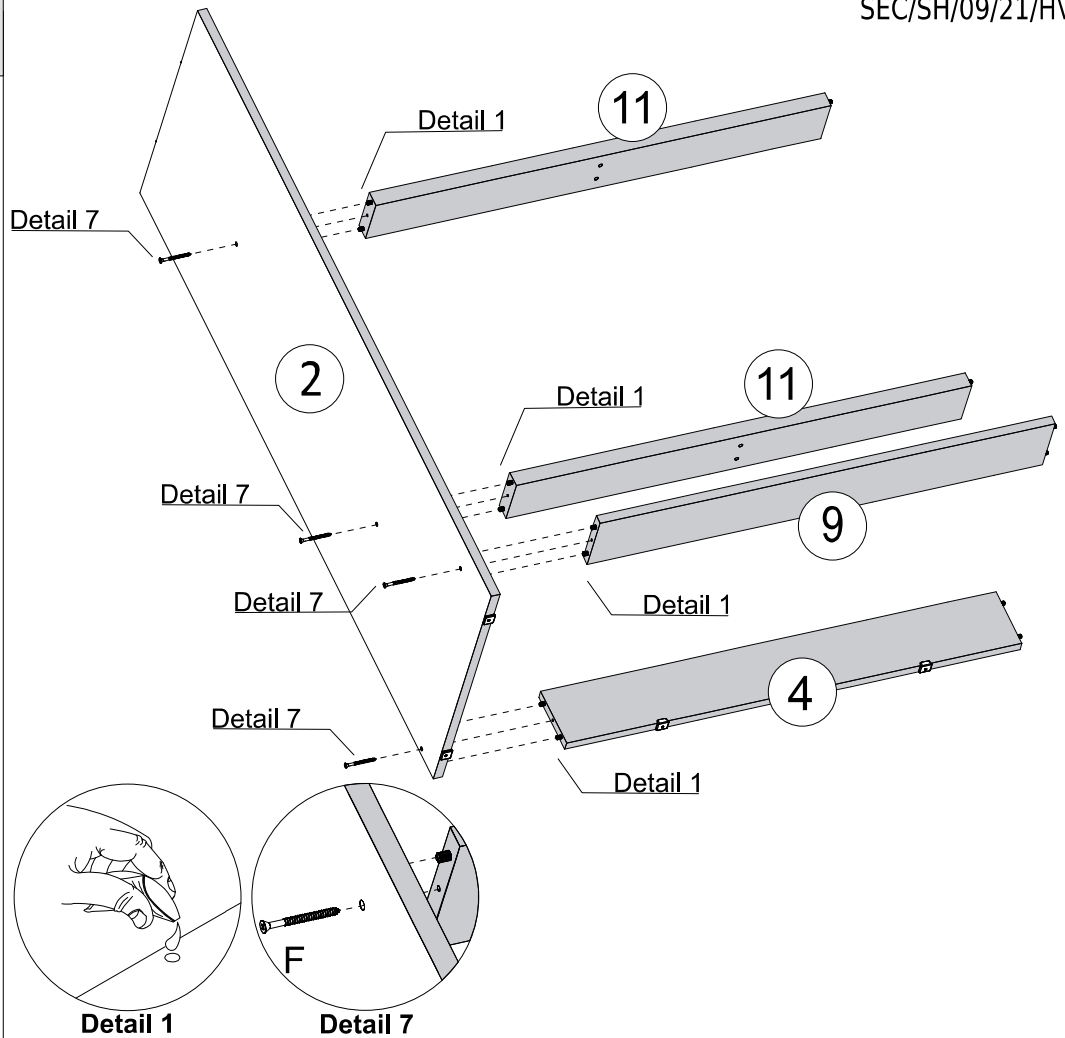
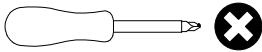
PARTS REQUIRED

- 2 - RIGHT SIDE PANEL x1
- 4 - FRONT BASEBOARD x1
- 9 - BACK BASEBOARD x1
- 11 - CROSSBAR x2

HARDWARE REQUIRED

- F  04
Ø4 x 50
- P  01

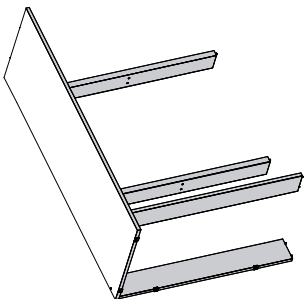
TOOLS REQUIRED




STEP 8

PARTS REQUIRED

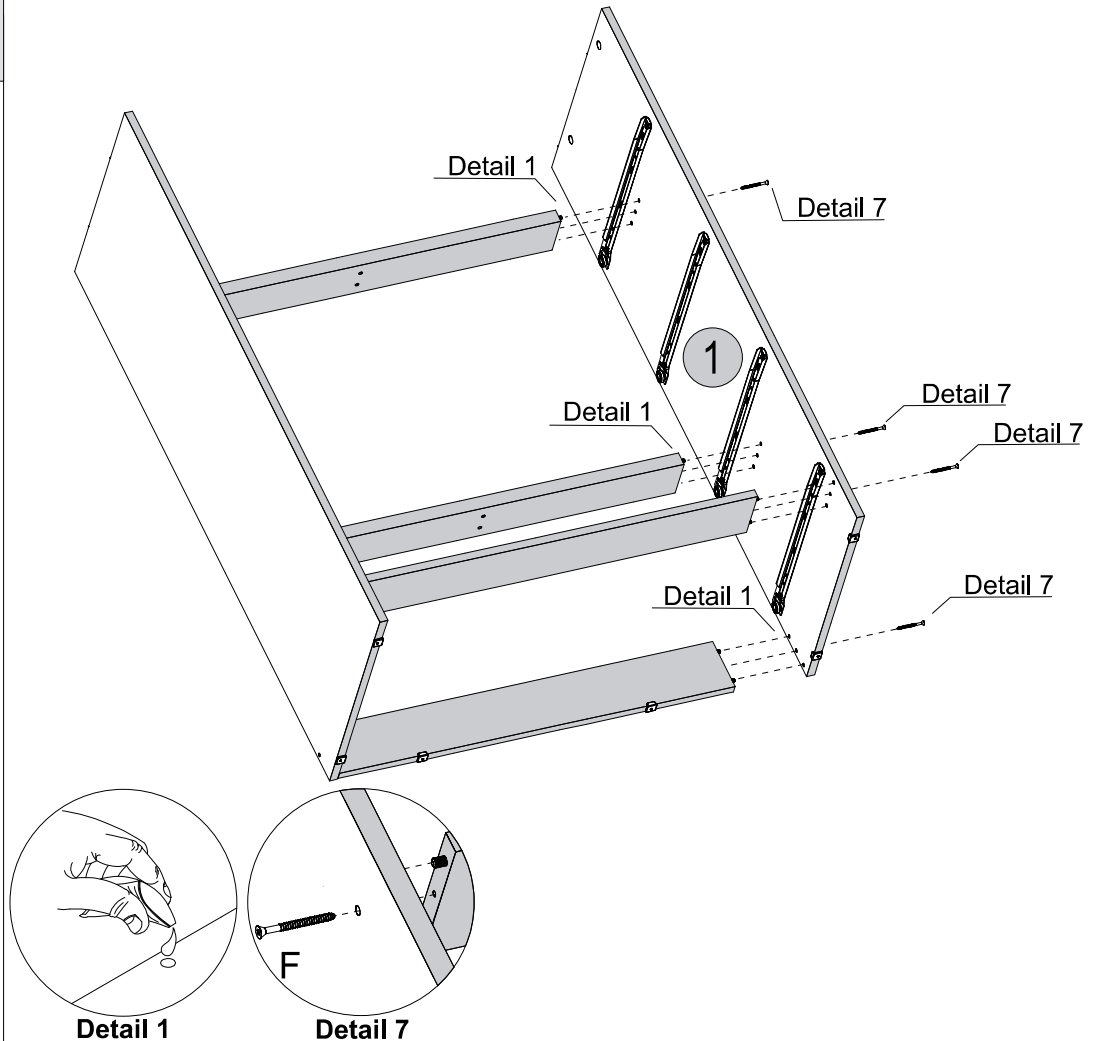
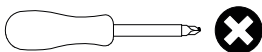
- 1 - LEFT SIDE PANEL x1



HARDWARE REQUIRED

- F  04
Ø4 x 50
- P  01

TOOLS REQUIRED



STEP 9

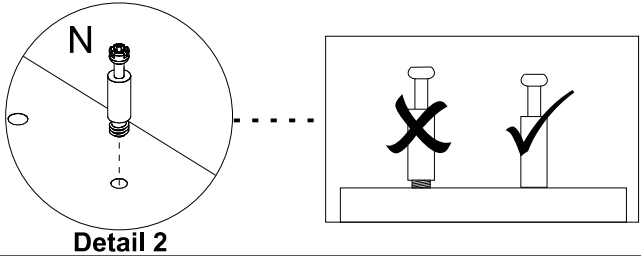
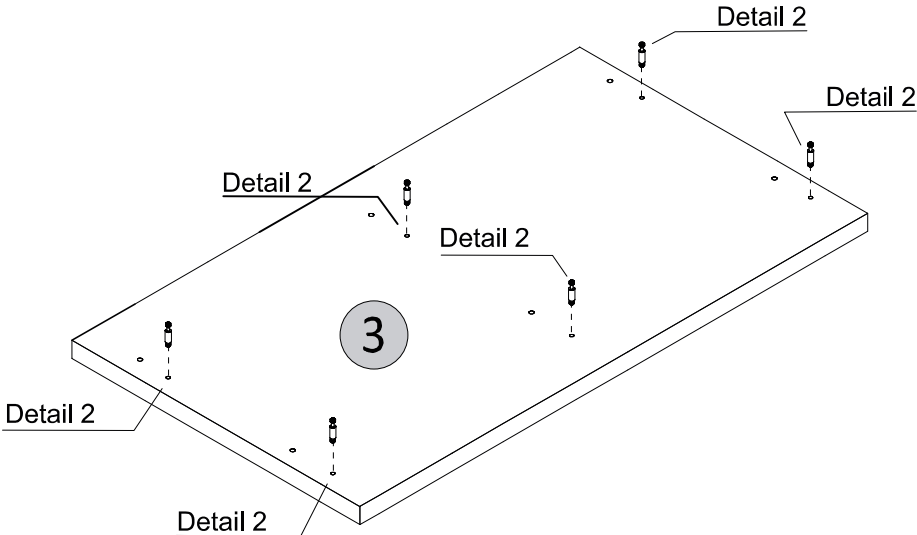
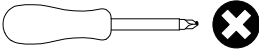
PARTS REQUIRED

3 - TOP PANEL x1

HARDWARE REQUIRED

N  06

TOOLS REQUIRED



STEP 10

PARTS REQUIRED

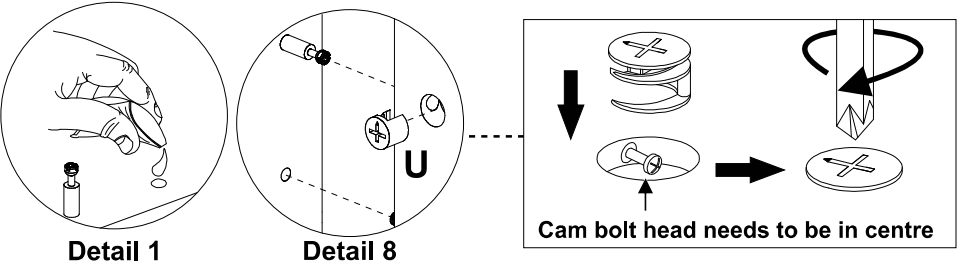
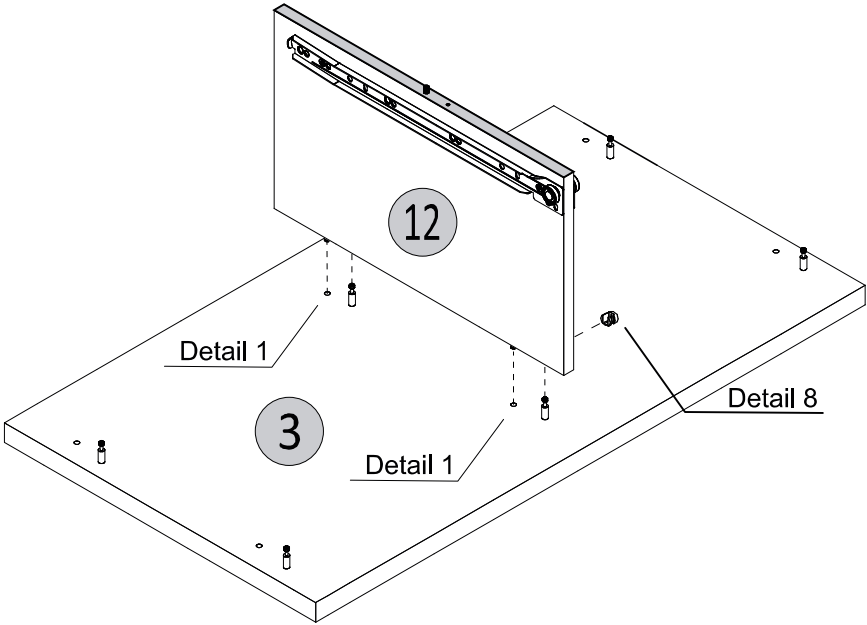
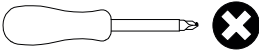
3 - TOP PANEL x1

12 - DIVISION PANEL x1

HARDWARE REQUIRED

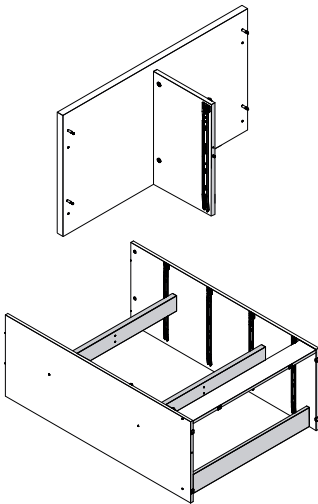
U  02

TOOLS REQUIRED

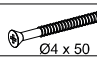




STEP 11

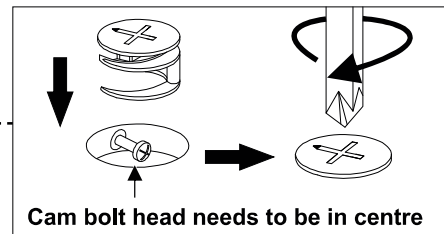
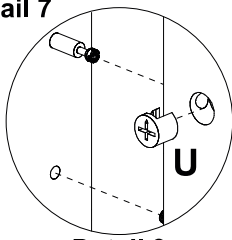
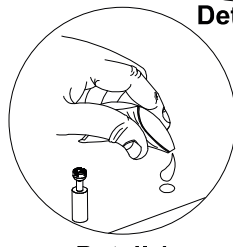
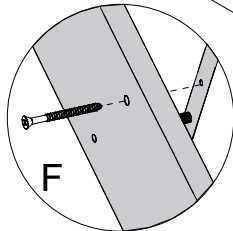
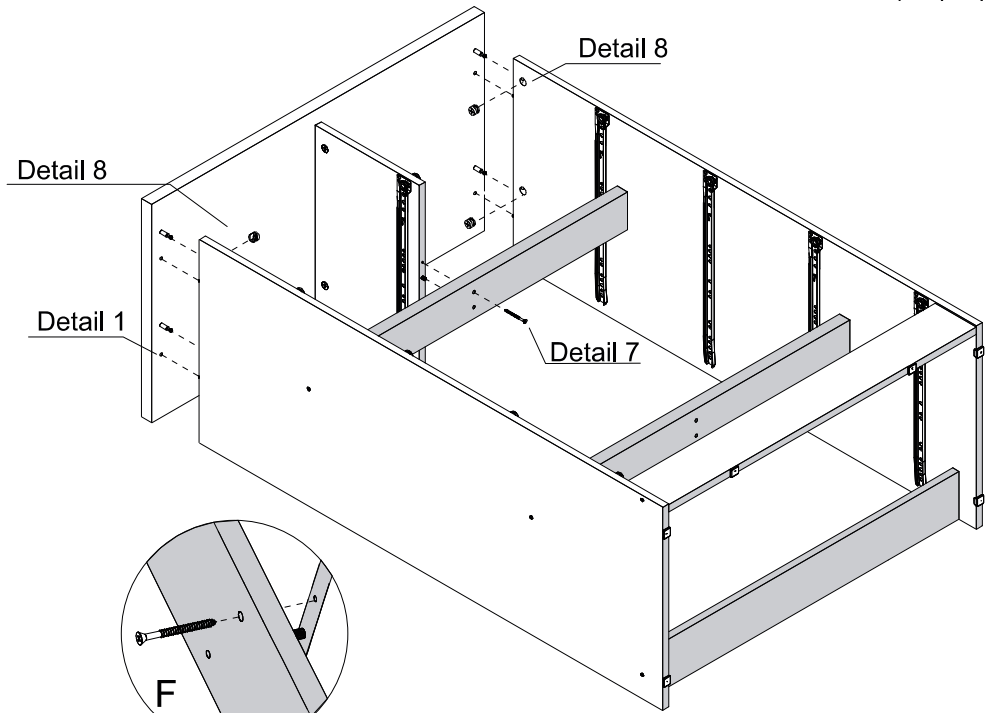
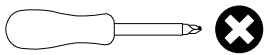
PARTS REQUIRED



HARDWARE REQUIRED

F		01
P		01
U		04

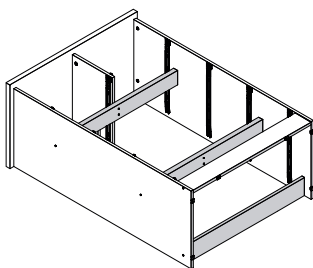
TOOLS REQUIRED






STEP 12

PARTS REQUIRED

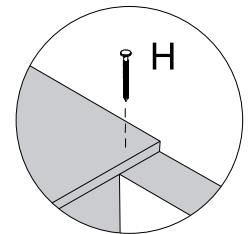
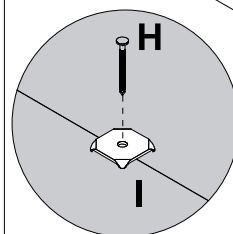
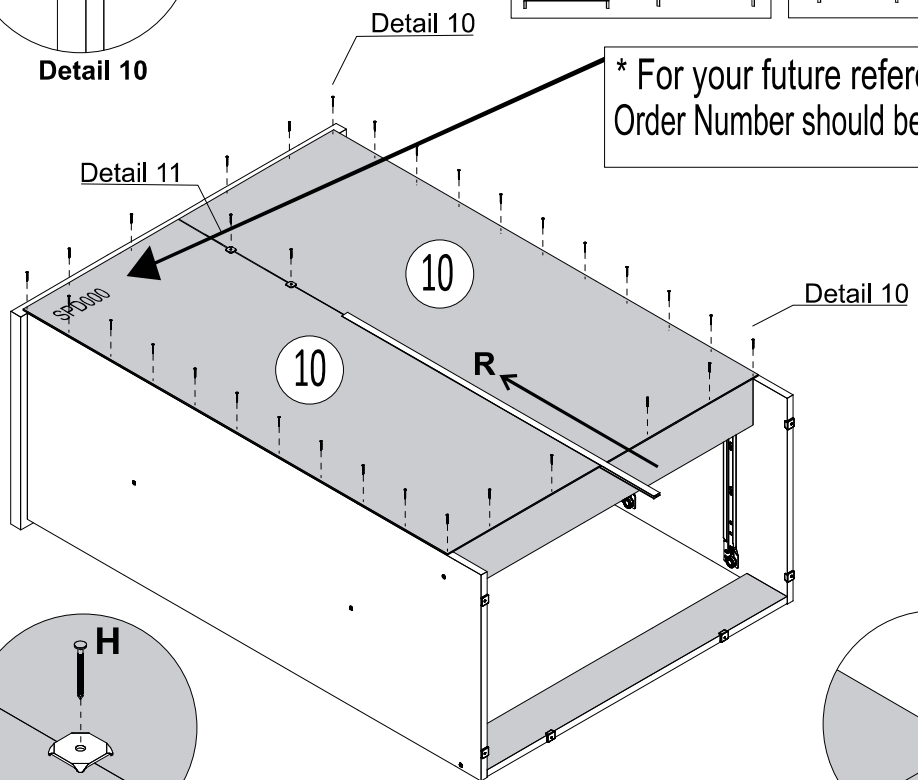
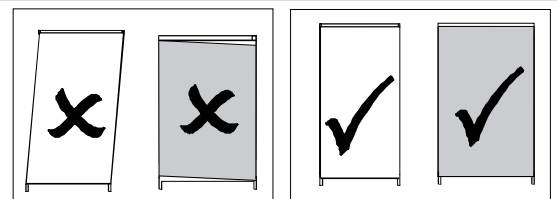
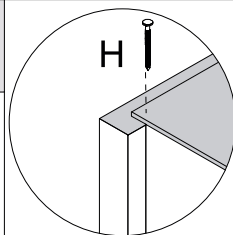
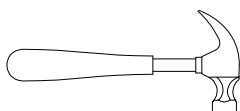
10 - BACK PANEL	x2
-----------------	----



HARDWARE REQUIRED

H		32
I		02
R		01

TOOLS REQUIRED





STEP 13

PARTS REQUIRED

- 6 - DRAWER SIDE x10
- 7 - SMALL DRAWER BACK PANEL x2
- 14 - LARGE DRAWER BACK PANEL x3
- 19 - DRAWER BOTTOM SUPPORT BAR x3

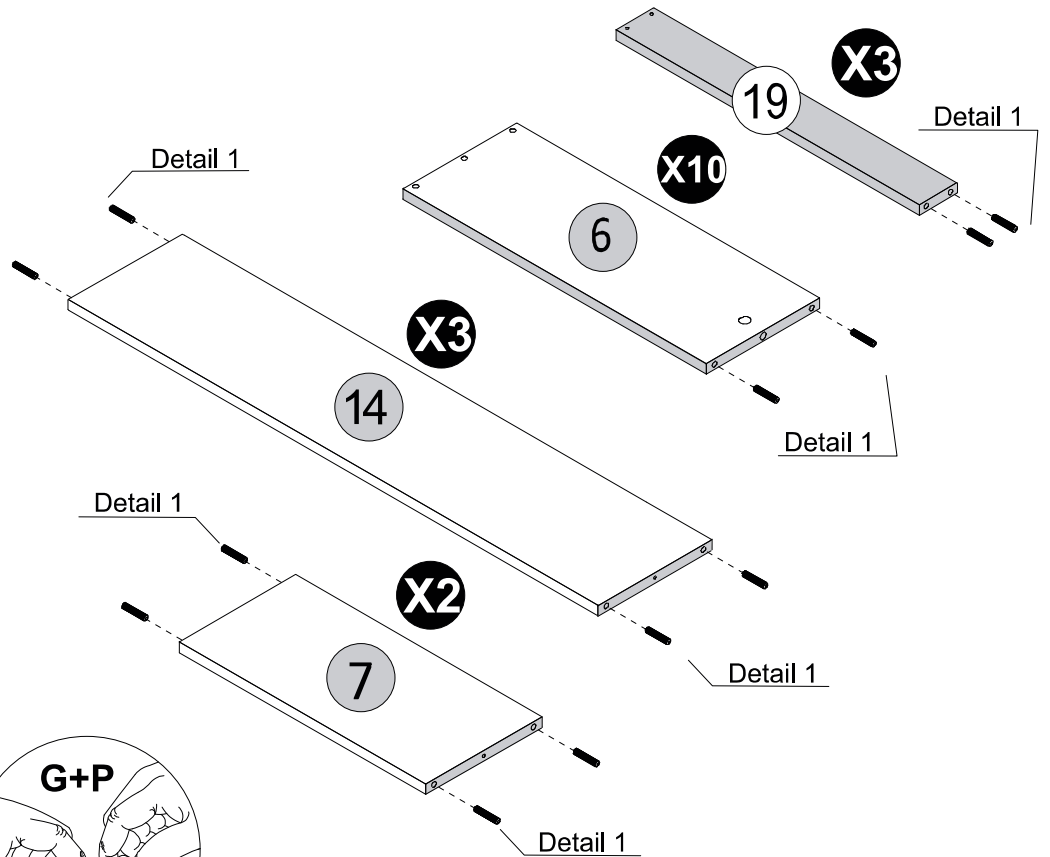
HARDWARE REQUIRED

- G  46
- P  01

TOOLS REQUIRED



Detail 1




STEP 14

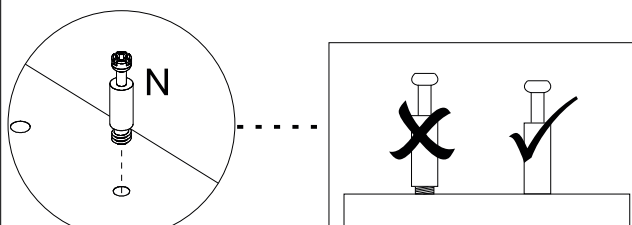
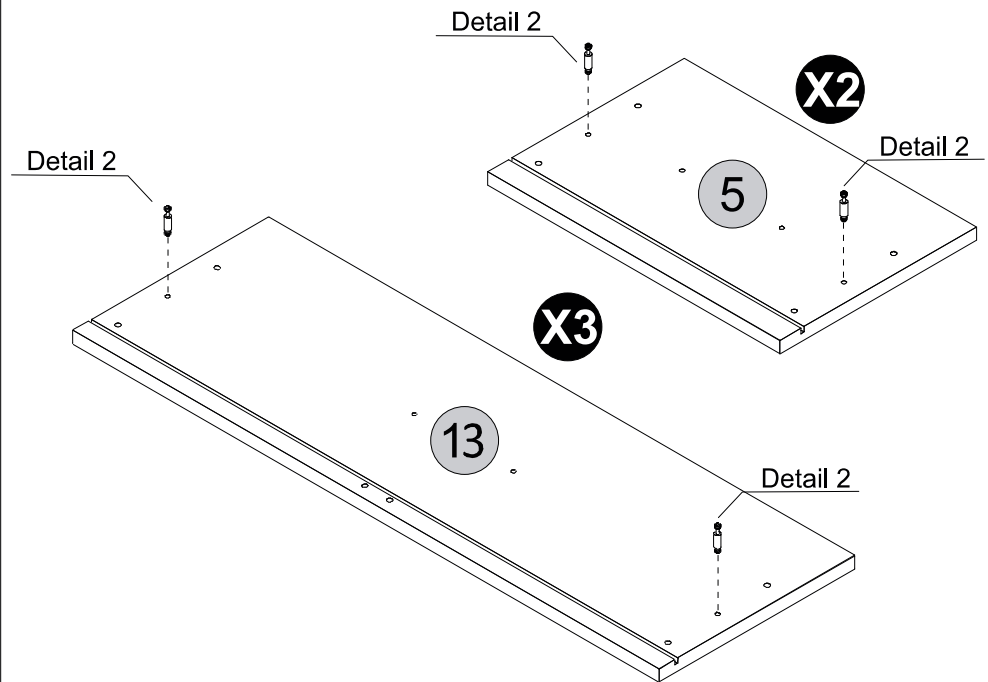
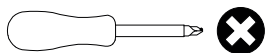
PARTS REQUIRED

- 13 - LARGE DRAWER FRONT x3
- 5 - SMALL DRAWER FRONT x2

HARDWARE REQUIRED

- N  10

TOOLS REQUIRED

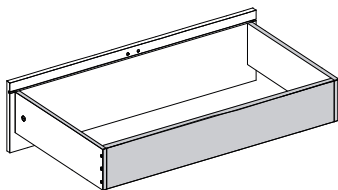


Detail 2

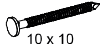
STEP 17

PARTS REQUIRED

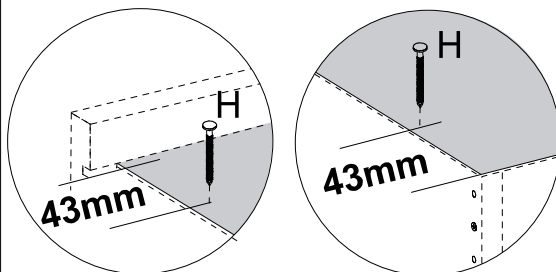
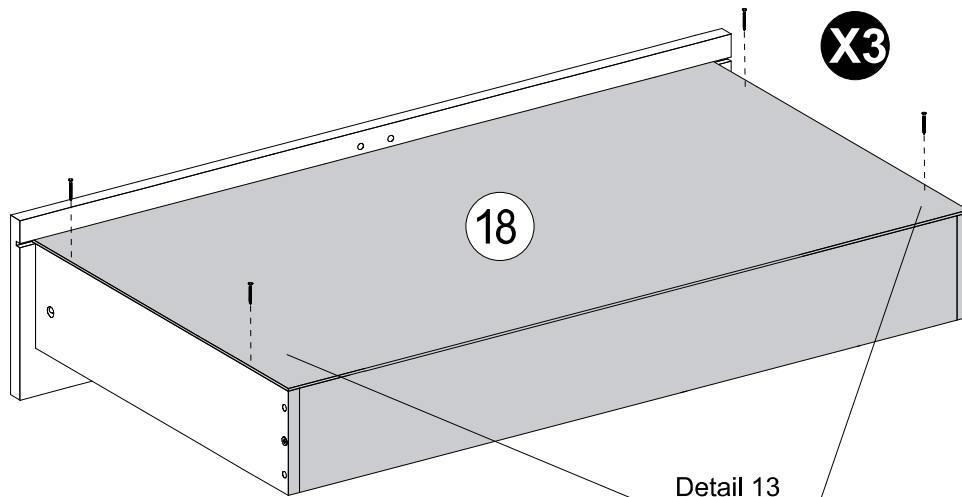
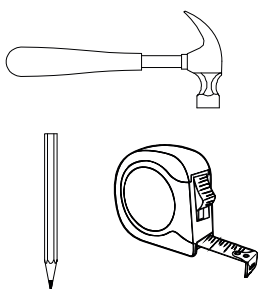
18 -LARGE DRAWER BOTTOM x3



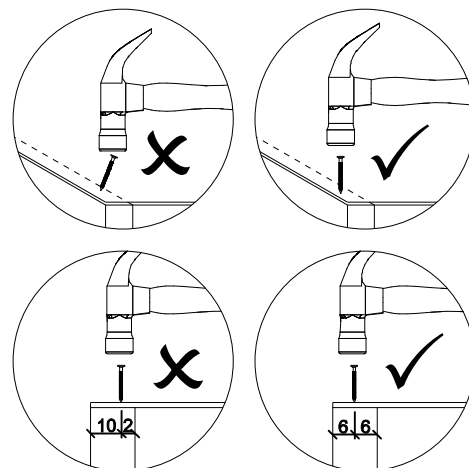
HARDWARE REQUIRED

H  12

TOOLS REQUIRED



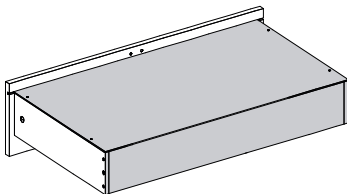
Detail 13



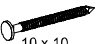
STEP 18

PARTS REQUIRED

19 -DRAWER BOTTOM SUPPORT BAR x3

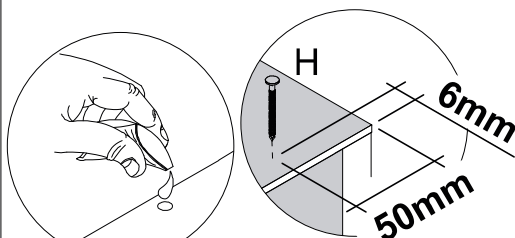
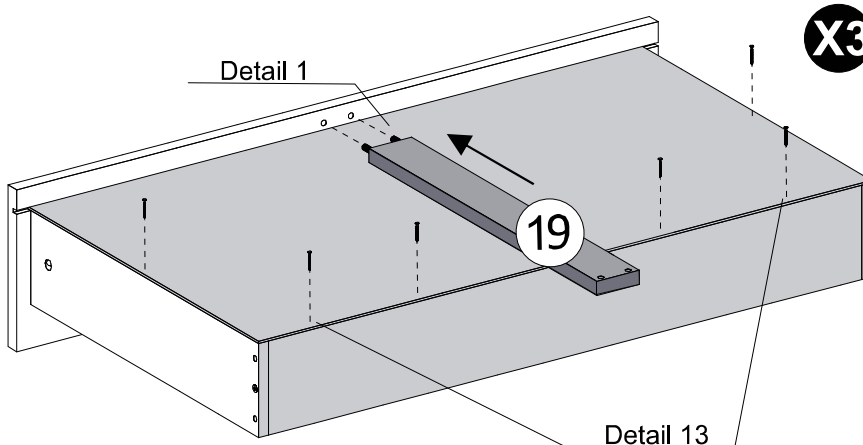
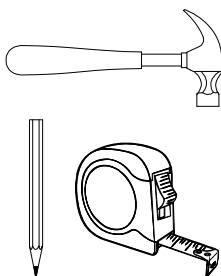


HARDWARE REQUIRED

H  18

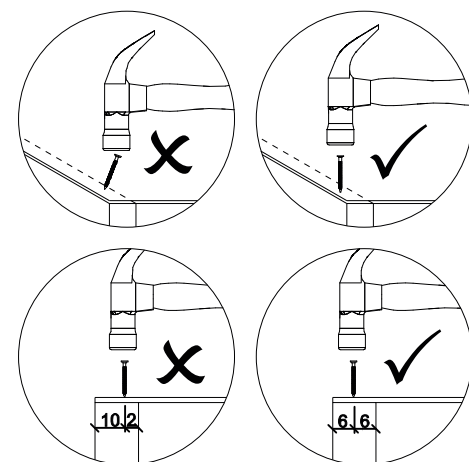
P  01

TOOLS REQUIRED



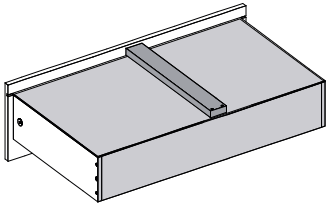
Detail 1

Detail 13


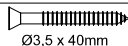


STEP 19

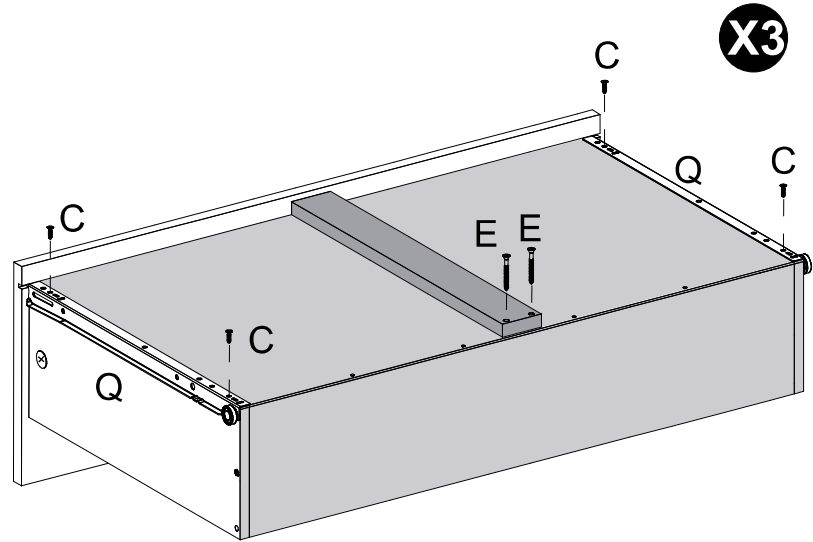
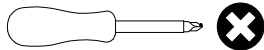
PARTS REQUIRED



HARDWARE REQUIRED

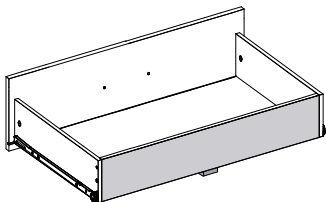
C	 Ø4,0 x 14mm	12
E	 Ø3,5 x 40mm	06
Q	LEFT	03
Q	RIGHT	03

TOOLS REQUIRED


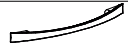



STEP 20

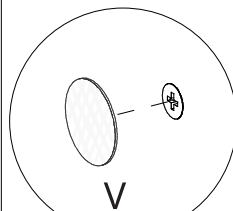
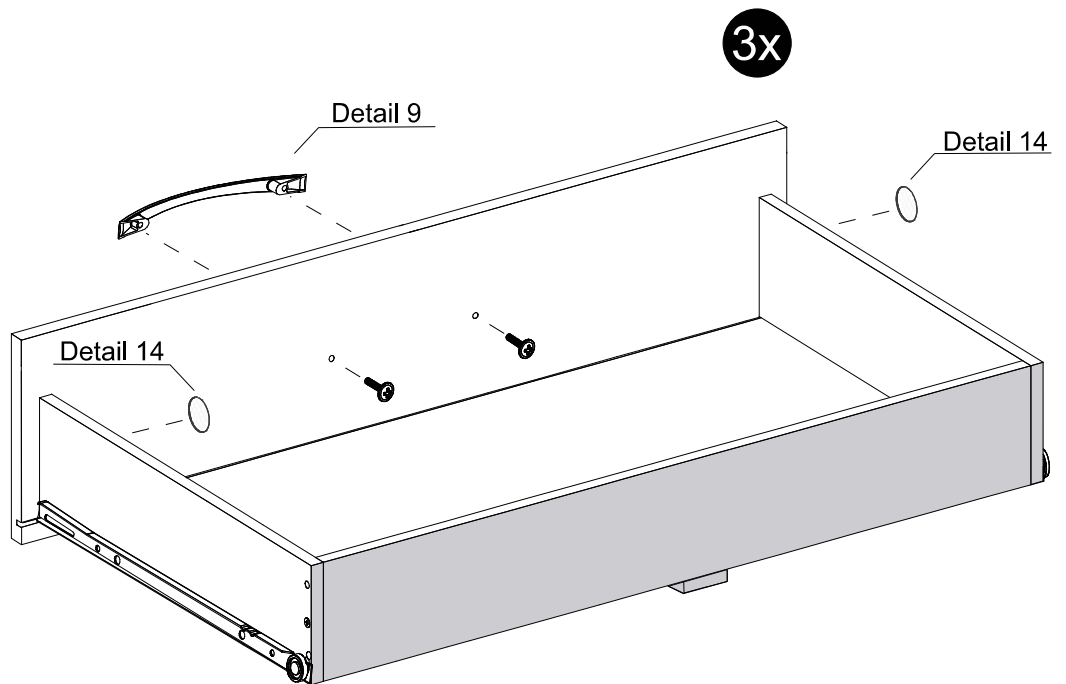
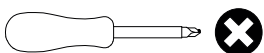
PARTS REQUIRED



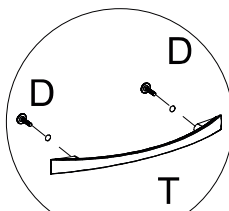
HARDWARE REQUIRED

D	 4 x 22	06
T		03
V		06

TOOLS REQUIRED



Detail 14



Detail 9

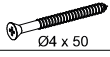
STEP 21

PARTS REQUIRED

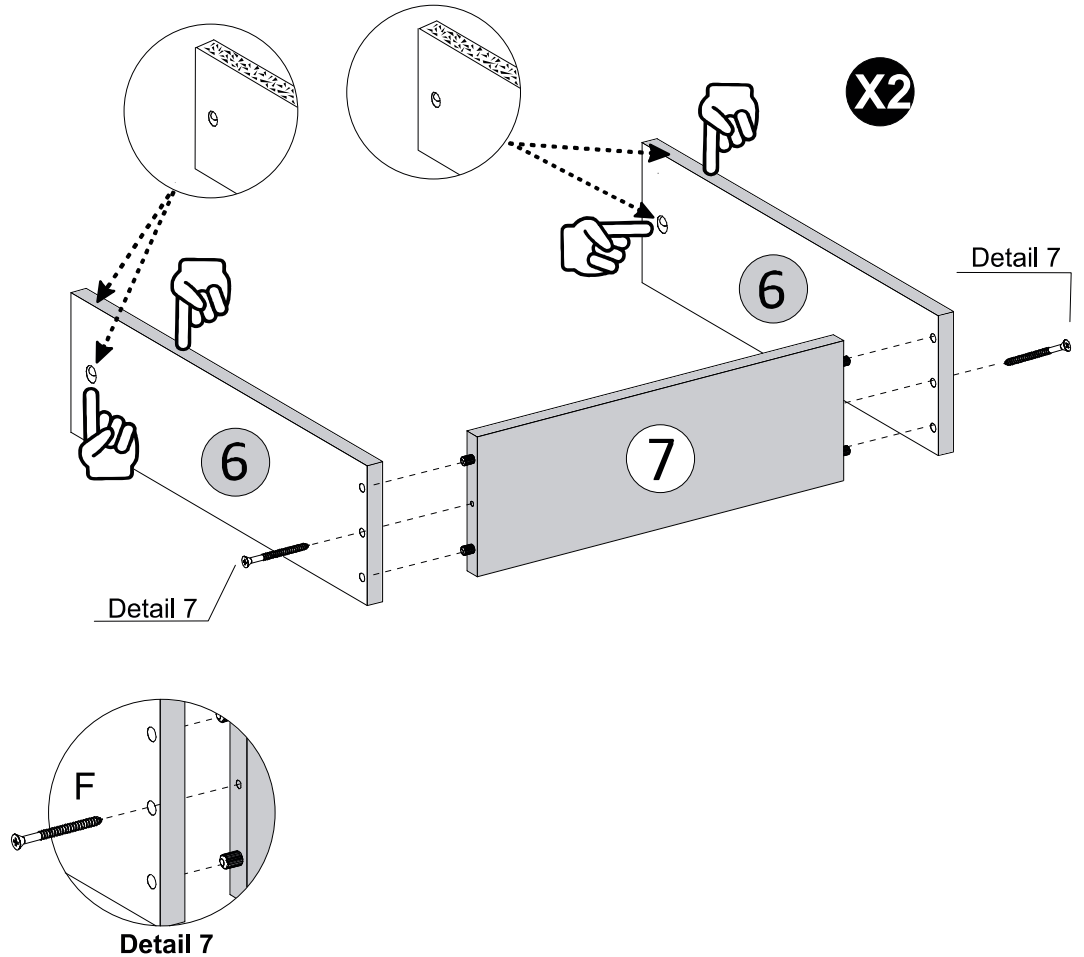
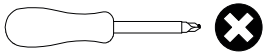
6 - DRAWER SIDE x6

7 - DRAWER BACK PANEL x3

HARDWARE REQUIRED

F  04
Ø4 x 50

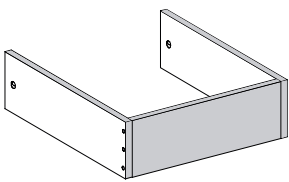
TOOLS REQUIRED



STEP 22

PARTS REQUIRED

5 - SMALL DRAWER FRONT x3

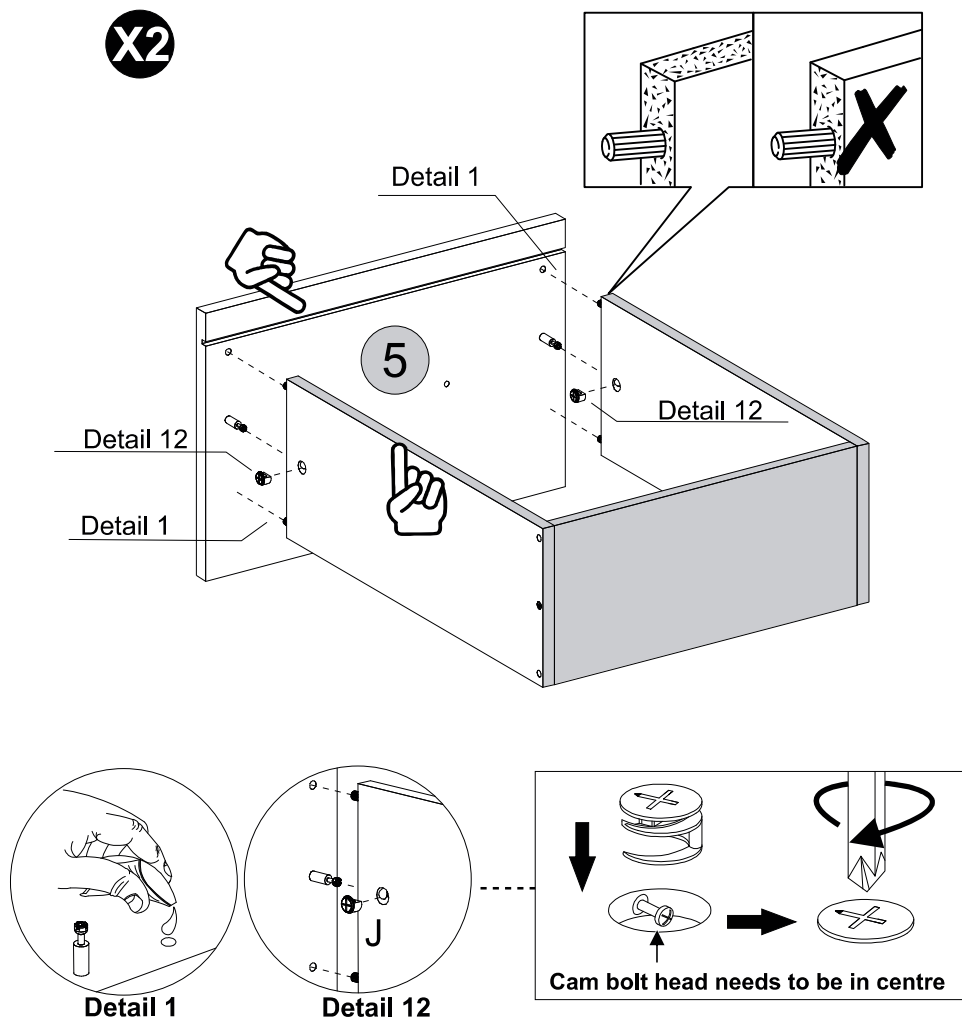
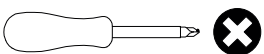


HARDWARE REQUIRED

J  04

P  01
GLUE

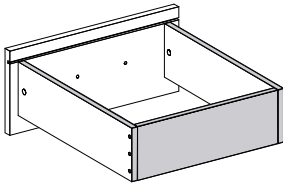
TOOLS REQUIRED



STEP 23

PARTS REQUIRED

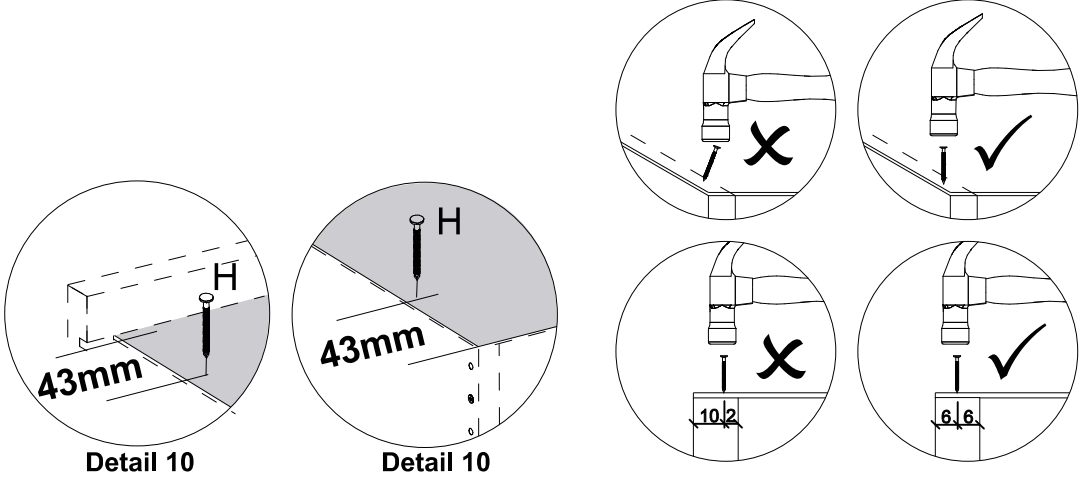
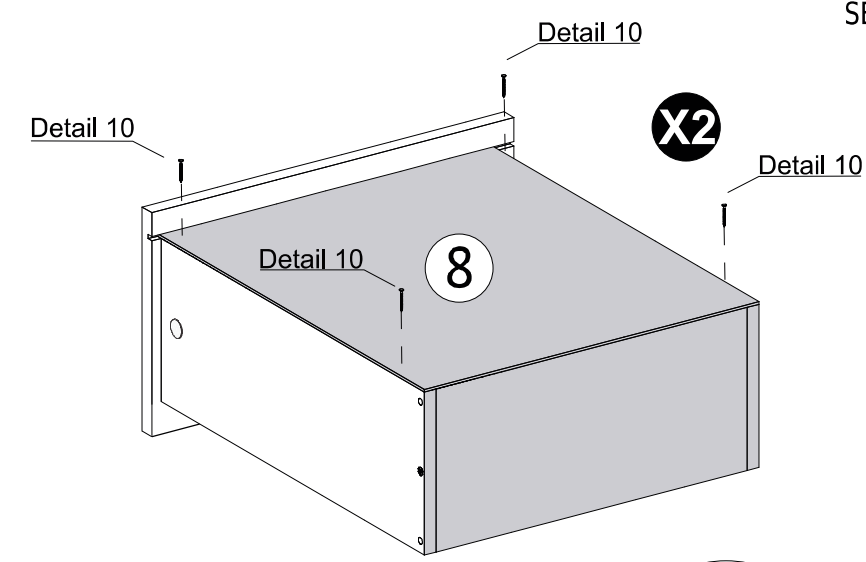
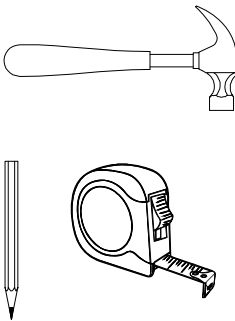
8 - DRAWER BOTTOM x2



HARDWARE REQUIRED

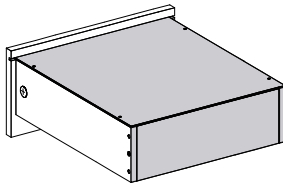
H 10 x 10 08

TOOLS REQUIRED



STEP 24

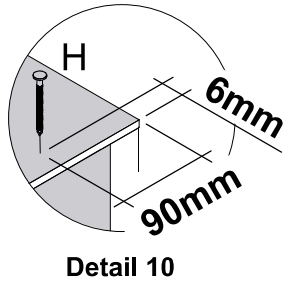
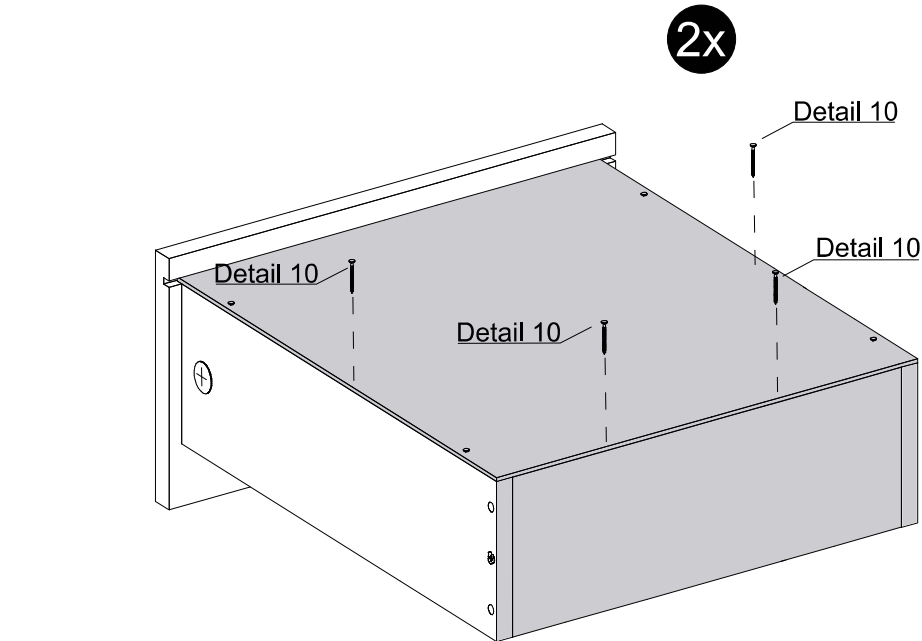
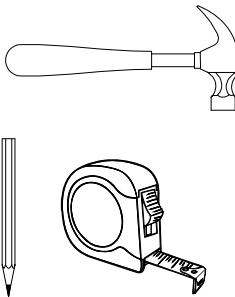
PARTS REQUIRED



HARDWARE REQUIRED

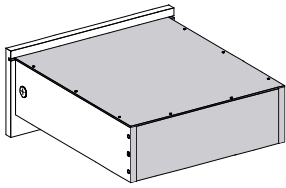
H 10 x 10 08

TOOLS REQUIRED

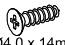


STEP 25

PARTS REQUIRED



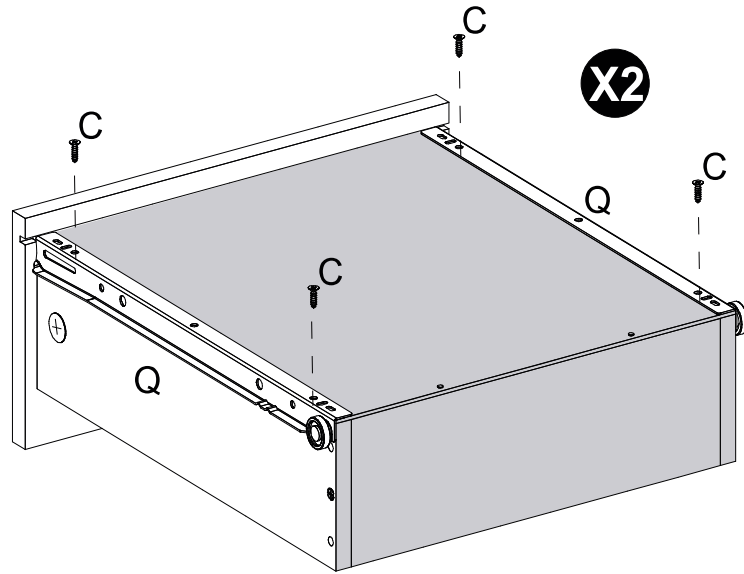
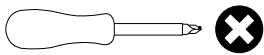
HARDWARE REQUIRED

C		08
Ø4.0 x 14mm		

Q	LEFT	02
---	------	----

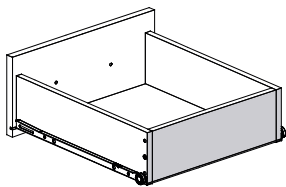
Q	RIGHT	02
---	-------	----

TOOLS REQUIRED





STEP 26

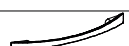
PARTS REQUIRED



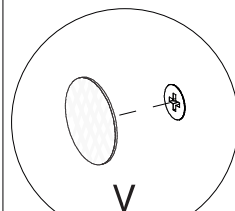
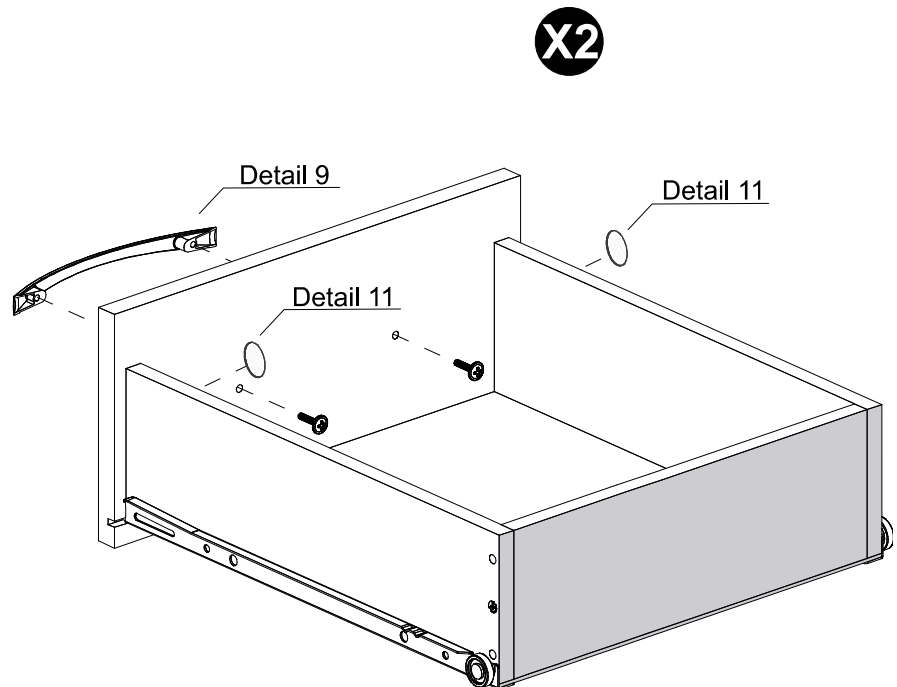
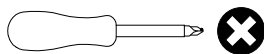
HARDWARE REQUIRED

D		04
4 x 22		

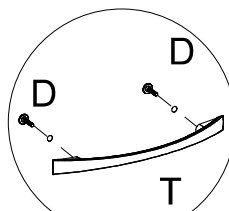
V		04
---	---	----

T		02
---	---	----

TOOLS REQUIRED



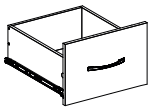
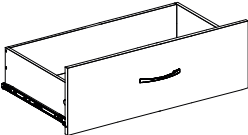
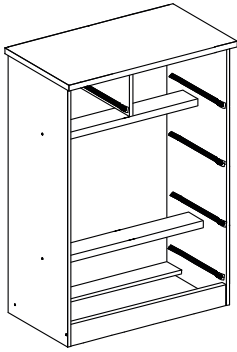
Detail 11



Detail 9

STEP 27

PARTS REQUIRED



HARDWARE REQUIRED

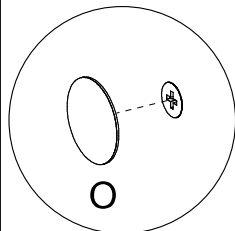


TOOLS REQUIRED

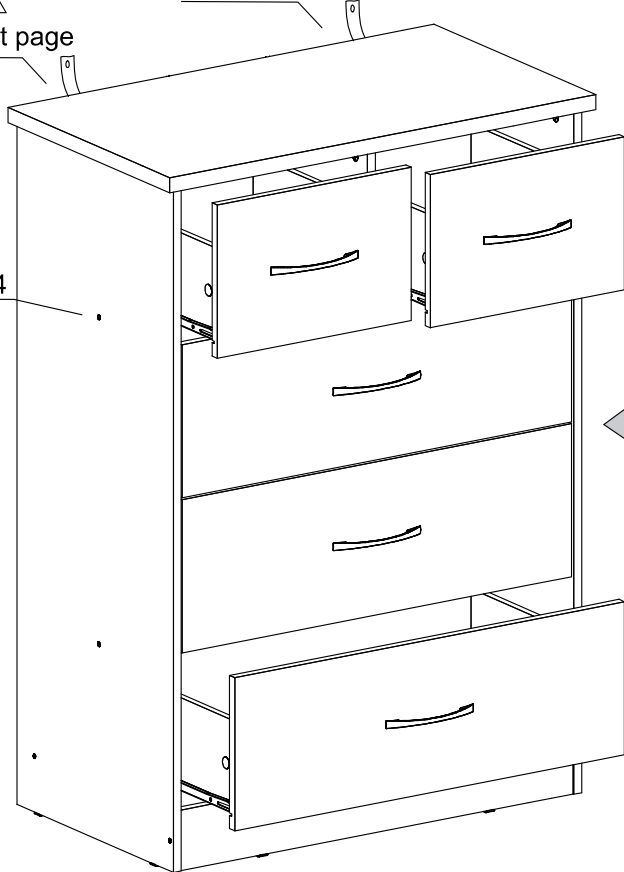
See the last page

See the last page

Detail 14

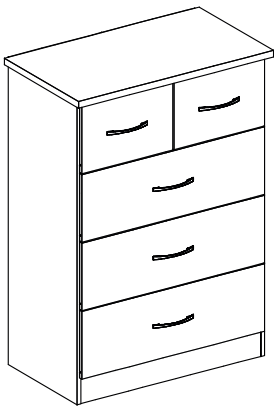


Detail 14

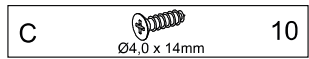


STEP 28

PARTS REQUIRED



HARDWARE REQUIRED



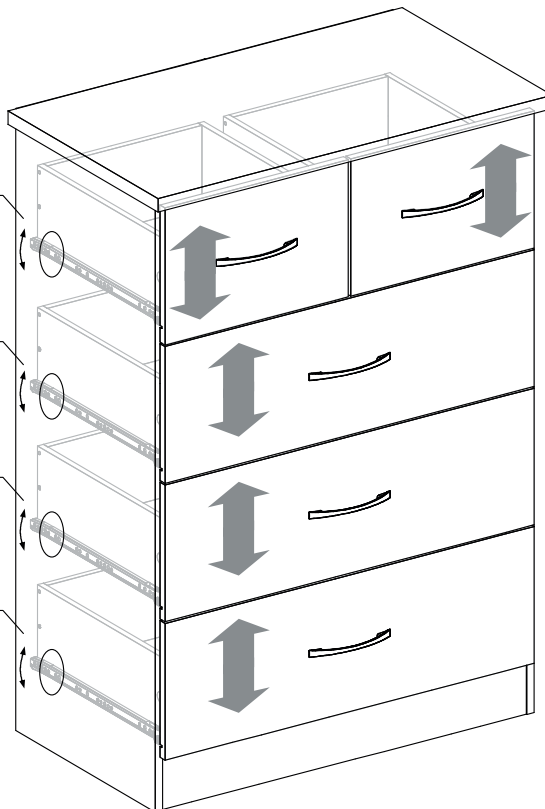
TOOLS REQUIRED

Detail 15

Detail 15

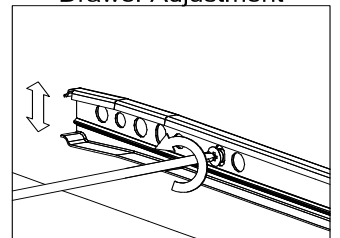
Detail 15

Detail 15

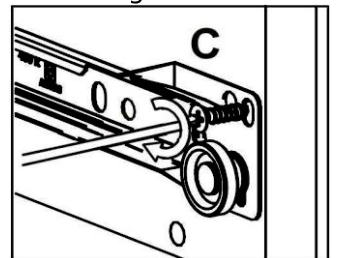


TIP
If desired, after assembly use an alcohol cleaner to erase the number printed on the parts.

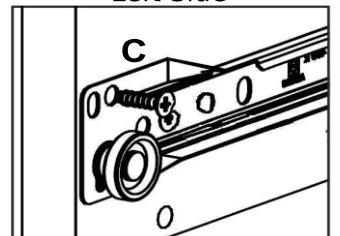
Drawer Adjustment



Right Side



Left Side

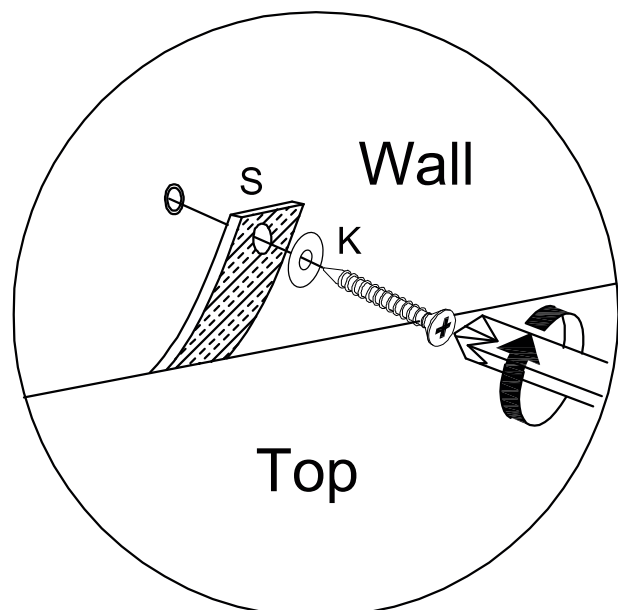
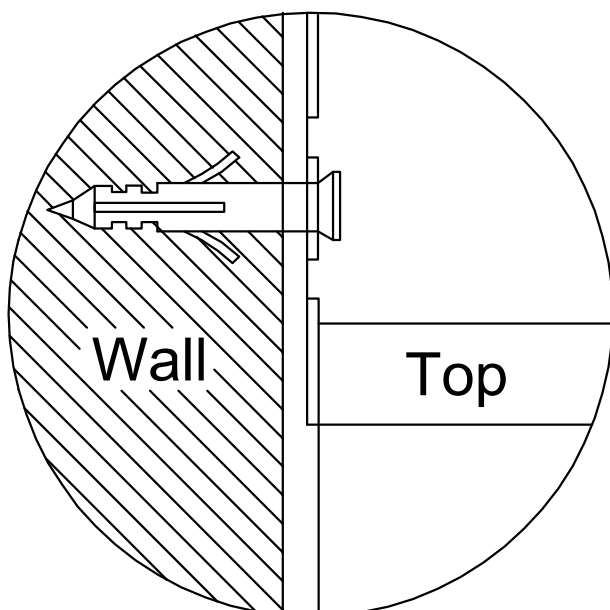
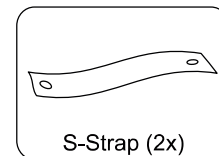
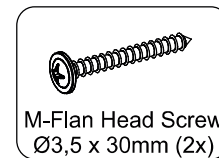
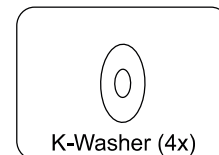
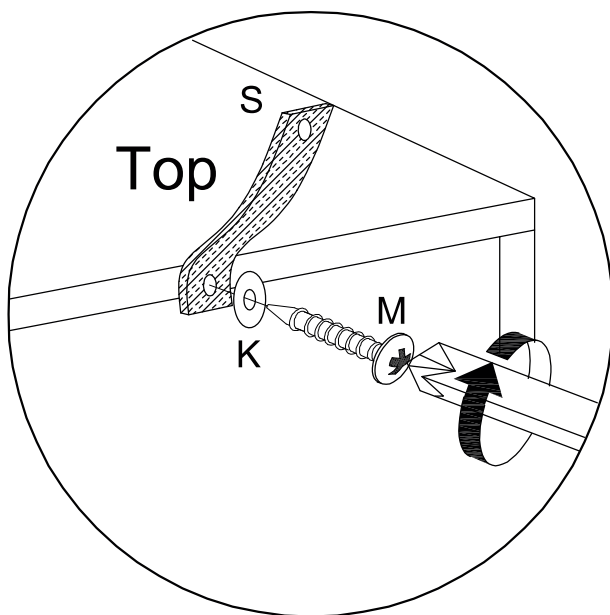


Detail 15

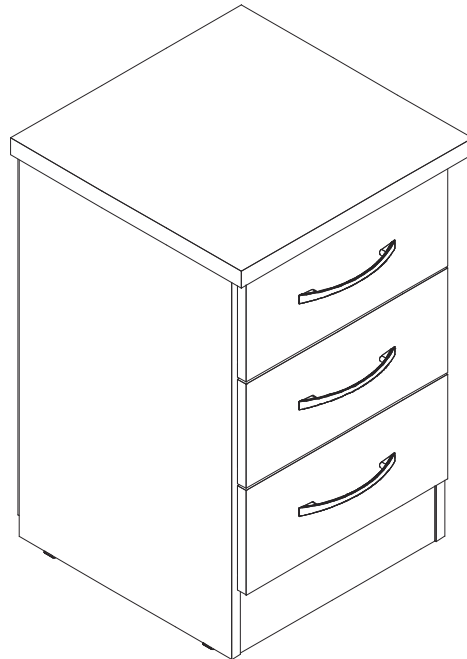
WARNING

Serious or fatal injuries can occur from furniture tipping over. To prevent the furniture from tipping over we recommend that it is permanently fixed to the wall.

Wall fixings are not supplied with this product as different wall materials require different types of fixing devices.
Please make sure you use fixings suitable for the walls in your home.



NEVADA 3 DRAWER BEDSIDE ASSEMBLY INSTRUCTIONS BLACK GLOSS

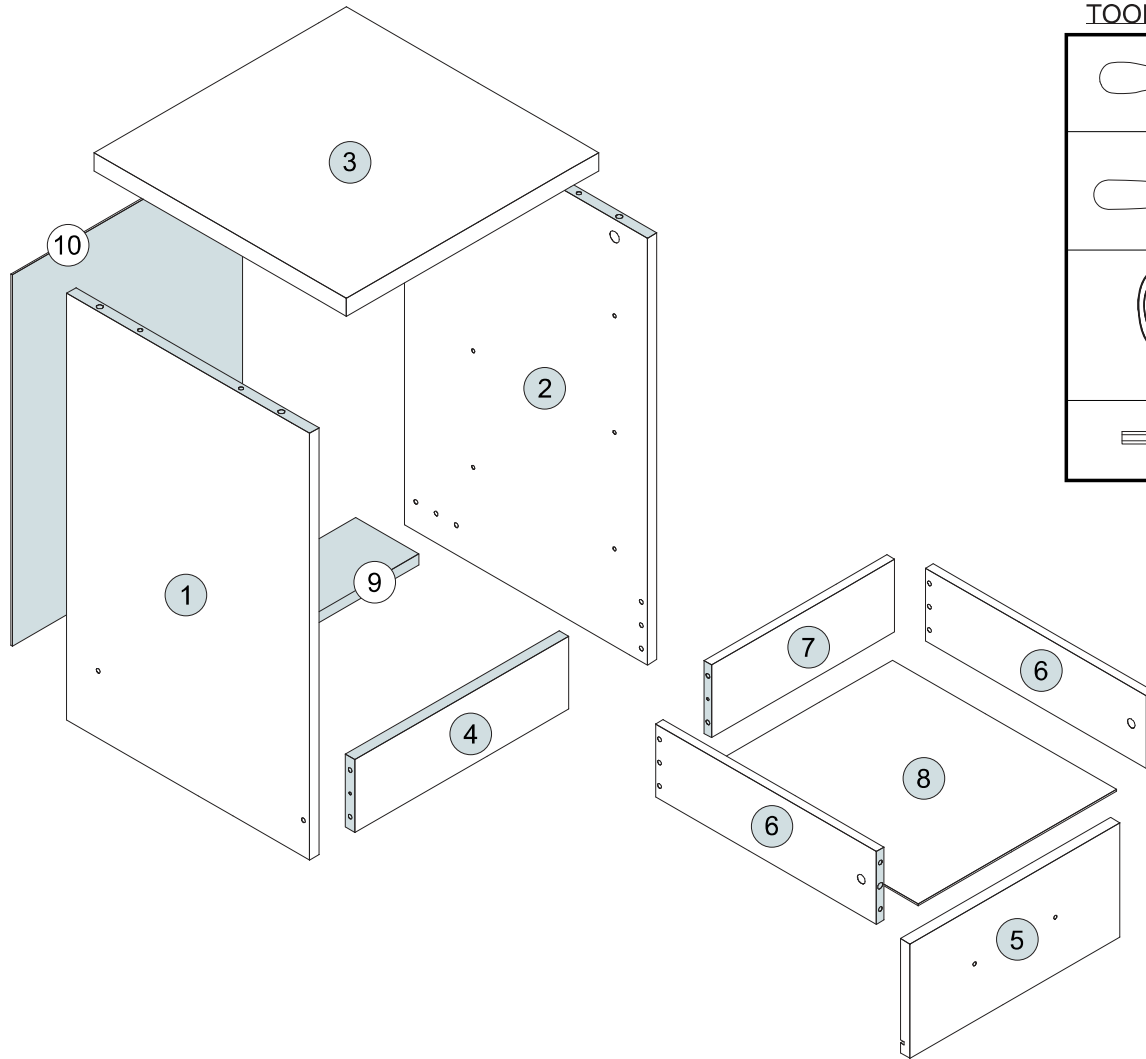


IMPORTANT FOR DOMESTIC USE ONLY

PLEASE READ BEFORE YOU CONTINUE FURTHER

CARE AND MAINTENANCE

- After unpacking this product please keep the original packaging in case it needs to be returned for any reason.
- Please ensure all fittings and parts are present before commencing with assembly.
 - Never drag or push products as this could cause damage to the joints making it inferior.
 - We strongly recommend that you keep children away from your work area.
 - We recommend that you lay a blanket or sheet on the floor to avoid damage to both your floor and the product.
 - Assemble this product as close to its final position as possible.
 - Do not place this product next to a radiator or in direct sunlight.
 - Do not drag or push items across your high gloss furniture as this may cause the surface to scratch
 - Wood is a natural product and may expand if subjected to damp and may shrink or crack if subjected to heat. Therefore it is recommended that room temperature is maintained, with no sudden temperature fluctuations.
 - Make sure any spillage is wiped off immediately.
 - Do not place hot or chilled items directly on to the surface, use a place mat or marking will occur.
 - For general cleaning use a soft cotton or micro fibre cloth, and do not use detergents of any kind.
 - From time to time it may be necessary to tighten fittings, regular inspections should be carried out.
 - Do not place on a wet or damp floor as staining may occur to your floor.


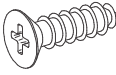
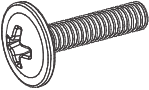

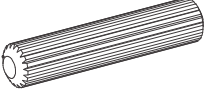

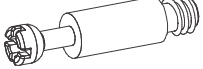
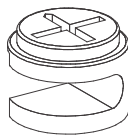
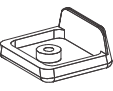



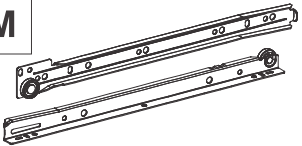
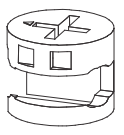






PARTS LIST

Please Note:
The below parts have all been stamped with the part number to help identify them during assembly.


Part Number	Part Code	Part Description	Quantity	Carton
01	S100-103-089-HV1-01	Left Side Panel	1	1/1
02	S100-103-089-HV1-02	Right Side Panel	1	1/1
03	S100-103-089-HV1-03	Top Panel	1	1/1
04	S100-103-089-HV1-04	Front Baseboard	1	1/1
05	S100-103-089-HV1-05	Drawer Front	3	1/1
06	S100-103-089-HV1-06	Drawer Side	6	1/1
07	S100-103-089-HV1-07	Drawer Back Panel	3	1/1
08	S100-103-089-HV1-08	Drawer Bottom	3	1/1
09	S100-103-089-HV1-09	Back Baseboard	1	1/1
10	S100-103-089-HV1-10	Back Panel	1	1/1

FITTINGS LIST


<p>A</p>  <p>Flat Head Screw 2/+ Ø6,0 x 10mm (12x)</p>	<p>B</p>  <p>Flat Head Screw 2/+ Ø4,0 x 14mm (18x)</p>	<p>C</p>  <p>Flan Head Screw 2/+ Ø4,0 x 20mm (6x)</p>	<p>D</p>  <p>Flat Head Screw 1/+ Ø4,0 x 50mm (10x)</p>
<p>E</p>  <p>2/+ Dowel Ø6,0 x 30mm (36x)</p>	<p>F</p>  <p>2/+ Nail 10x10 Ringed-1,5x23mm (42x)</p>	<p>G</p>  <p>2/+ Cam Bolt (10x)</p>	<p>H</p>  <p>1/+ Cam Nut Ø12x8 8mm (6x)</p>
<p>I</p>  <p>1/+ Plastic Foot L 19x17x8mm Ø2 (4x)</p>	<p>J</p>  <p>2/+ Hole Plugs 19mm (4x)</p>	<p>K</p>  <p>GLUE Glue 10 Gr (2x)</p>	<p>L</p>  <p>Handle (3x)</p>
<p>M</p>  <p>Drawer Runners 350mm (3x)</p>	<p>N</p>  <p>1/+ Cam Nut Ø14,9x11 mm (4x)</p>	<p>O</p>  <p>Flan Head Screw 1/+ Ø3,5 x 30mm (1x)</p>	<p>P</p>  <p>Strap 200x20x1MM (1x)</p>
<p>Q</p>  <p>1/+ Washer Ø16x7 (2x)</p>	<p>R</p>  <p>+1/2 Hole Plugs Lineo 19mm (6x)</p>		

TIPS FOR FITTINGS CAM-LOCKS

WHEN FITTING CAM NUT. ENSURE STARTING POSITION IS CORRECT BEFORE YOU INSERT CONNECTING CAM BOLT TURN CLOCKWISE UNTIL SECURE




✓




↑

CORRECT

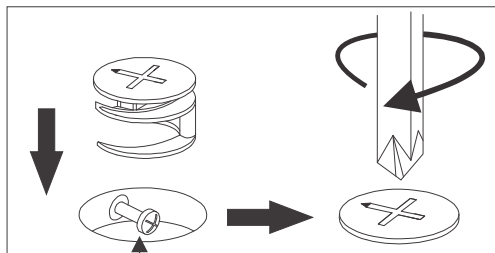


✗



↑

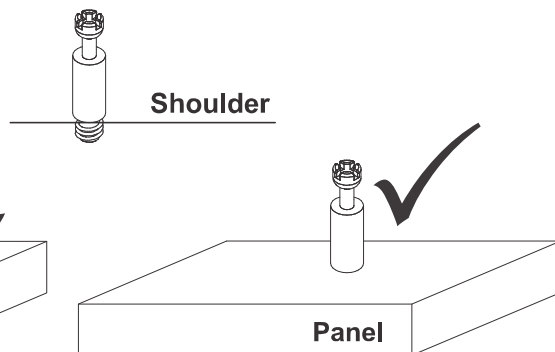
WRONG



Cam bolt head needs to be in centre

CAMBOLT

Tighten until shoulder is flush with panel. Do not overtighten or undertighten (see example below)

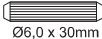



STEP 1

PARTS REQUIRED

1 - LEFT SIDE PANEL x1

HARDWARE REQUIRED

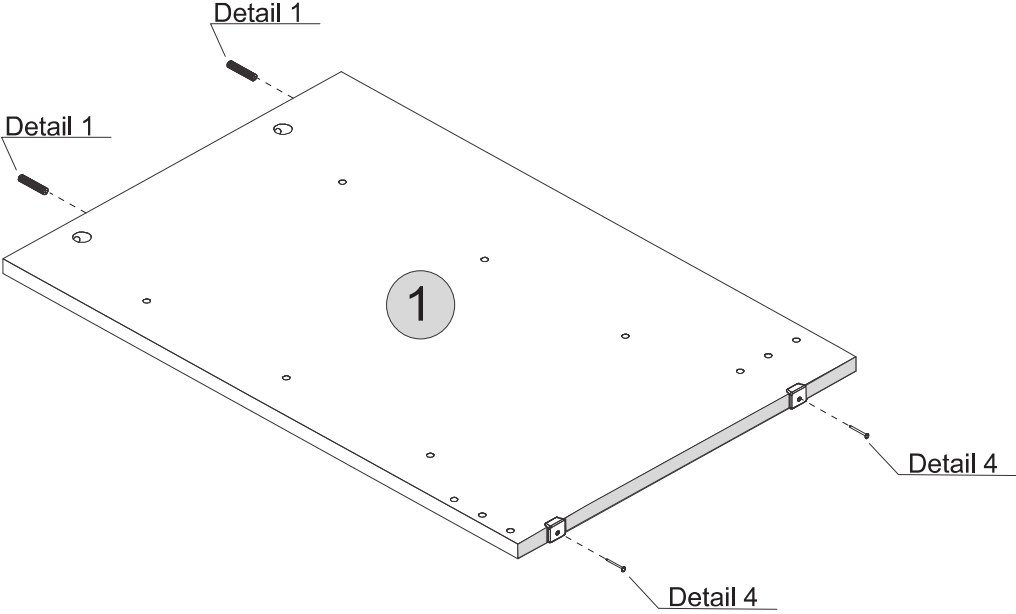
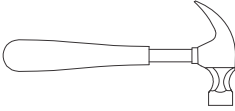
E  02
Ø6,0 x 30mm

F  02
10 x 10

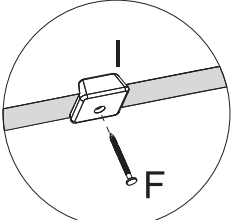
I  02

K  01
GLUE

TOOLS REQUIRED



Detail 1



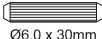
Detail 4


STEP 2

PARTS REQUIRED

2 - RIGHT SIDE PANEL x1

HARDWARE REQUIRED

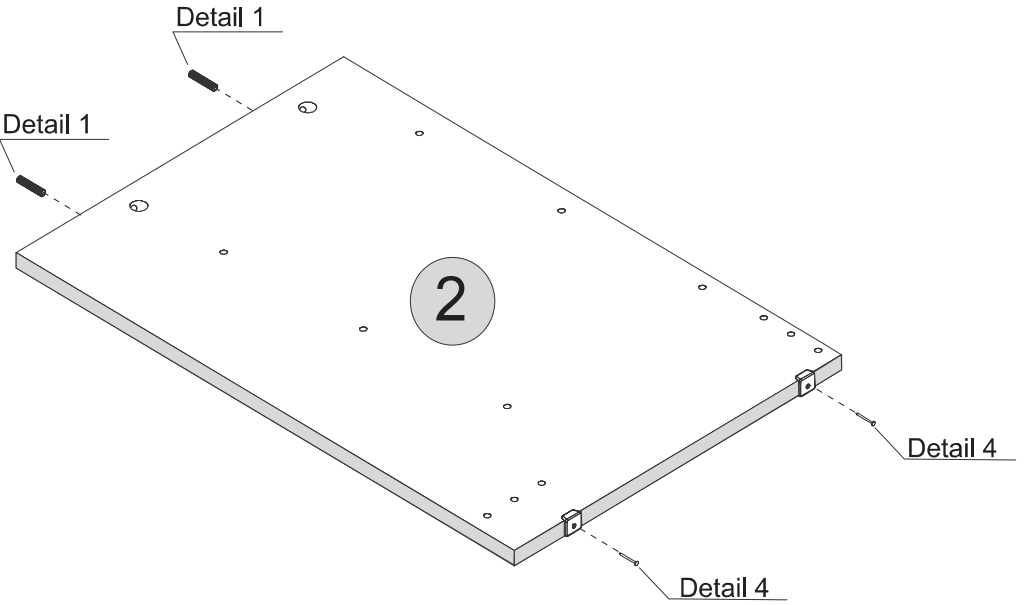
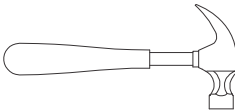
E  02
Ø6,0 x 30mm

F  02
10 x 10

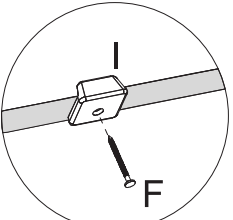
I  02

K  01
GLUE

TOOLS REQUIRED



Detail 1



Detail 4


STEP 3


PARTS REQUIRED

2 - RIGHT SIDE PANEL x1

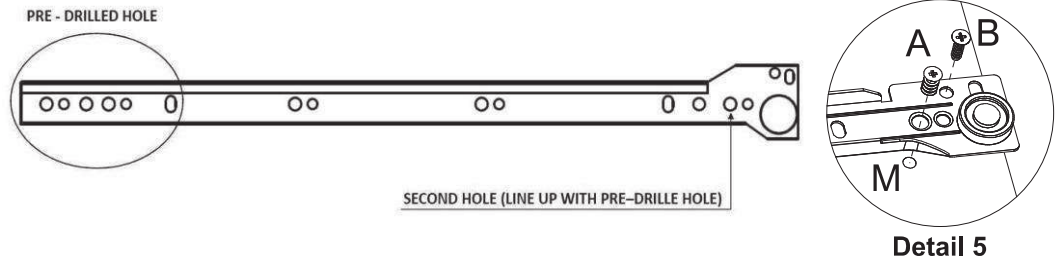
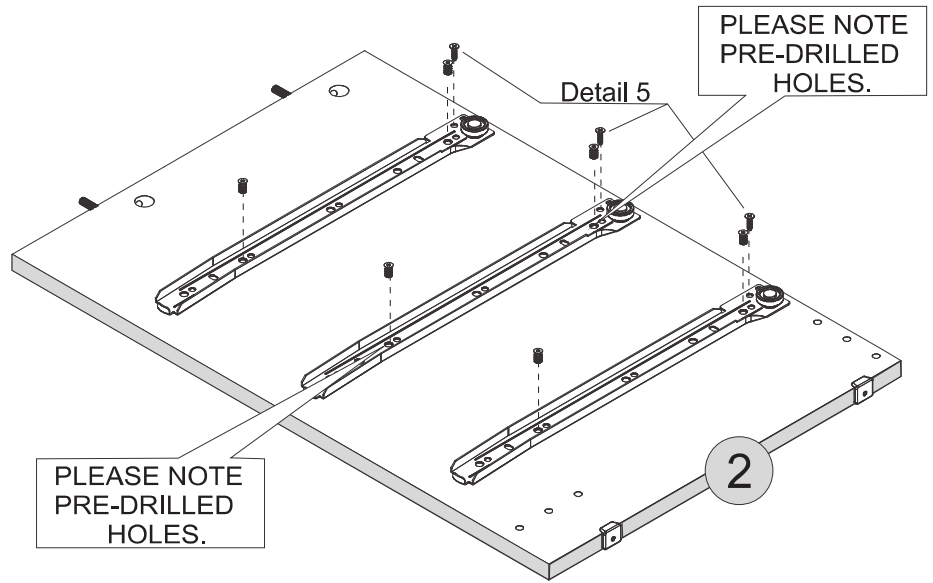
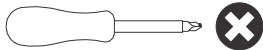
HARDWARE REQUIRED

A  06
Ø6.0 x 10mm

B  03
Ø4.0 x 14mm

M  03
RIGHT

TOOLS REQUIRED





STEP 4

PARTS REQUIRED

1 - LEFT SIDE PANEL x1

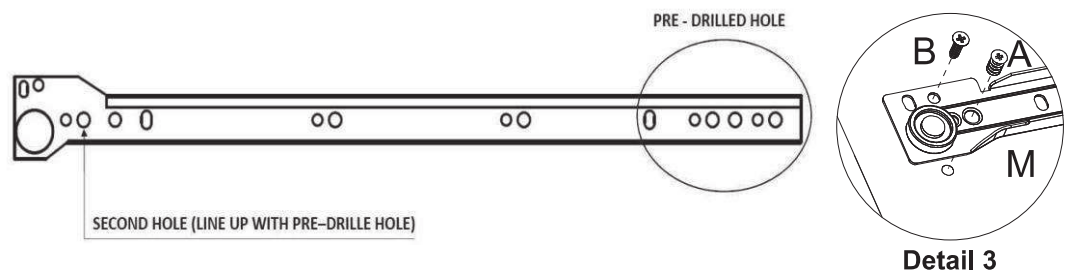
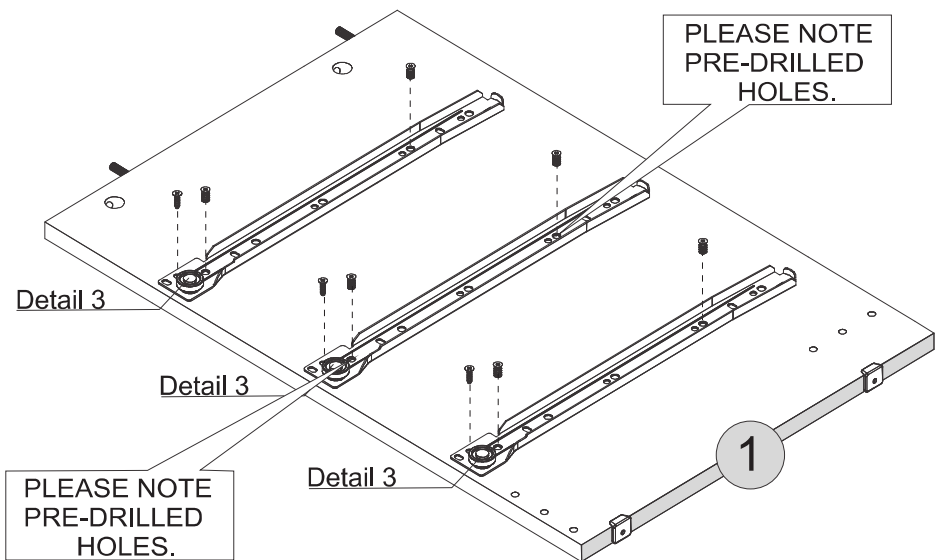
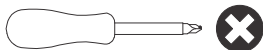
HARDWARE REQUIRED

A  06
Ø6.0 x 10mm

B  03
Ø4.0 x 14mm

M  03
LEFT

TOOLS REQUIRED



STEP 5


SEC/SH/09/21/HV1

PARTS REQUIRED

9 - BACK BASEBOARD x1

4 - FRONT BASEBOARD x1

HARDWARE REQUIRED

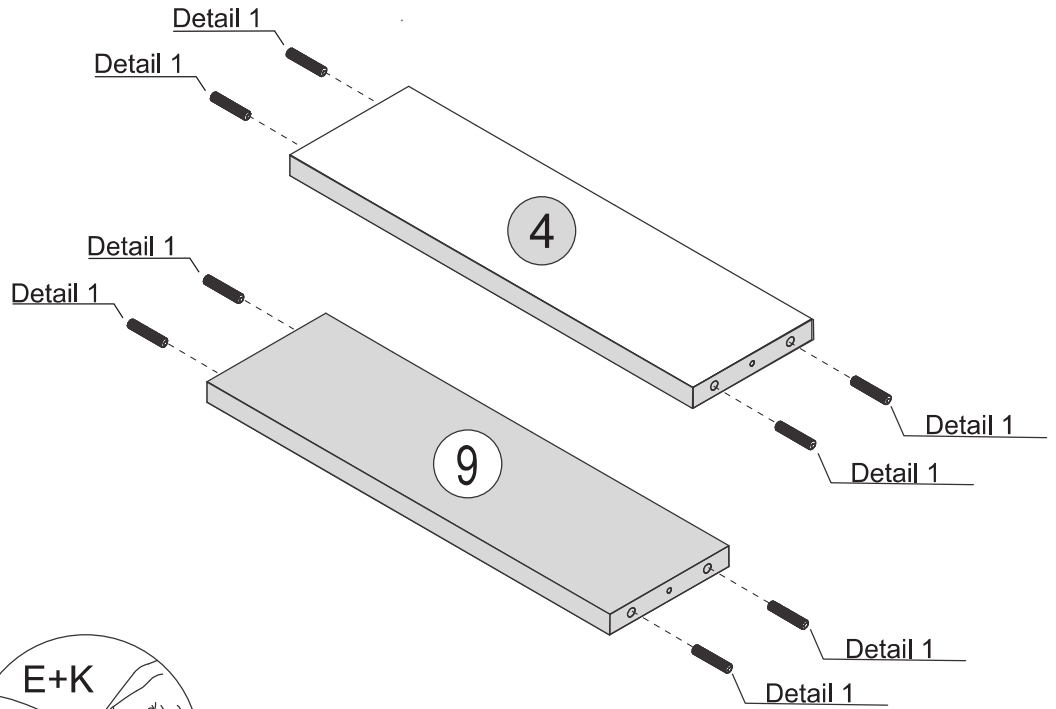
E  08
Ø6,0 x 30mm

K  01
GLUE

TOOLS REQUIRED



Detail 1



STEP 6

PARTS REQUIRED

2 - RIGHT SIDE PANEL x1

9 - BACK BASEBOARD x1

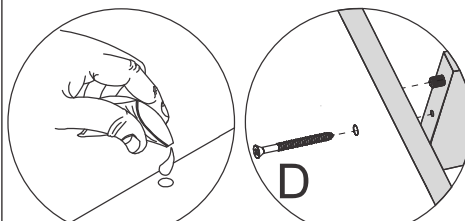
4 - FRONT BASEBOARD x1

HARDWARE REQUIRED

D  02
Ø4 x 50mm

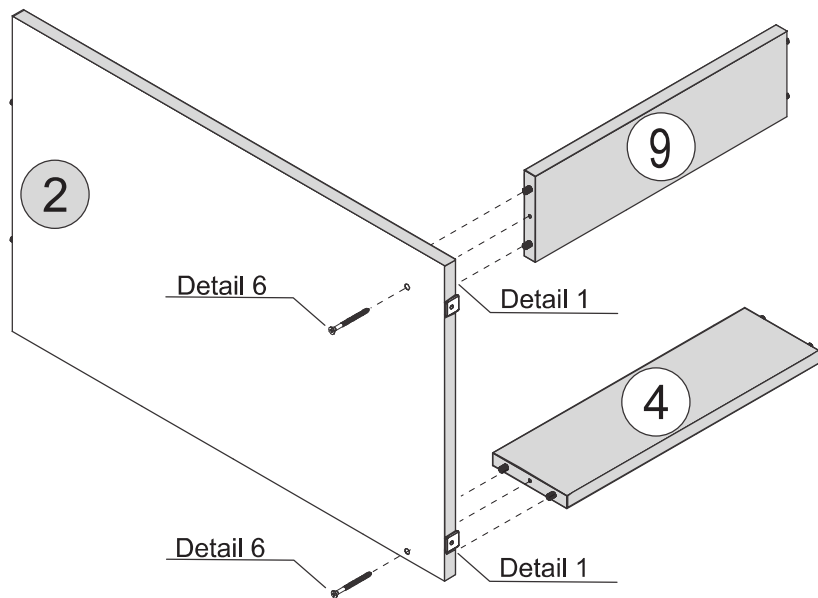
K  01
GLUE

TOOLS REQUIRED



Detail 1

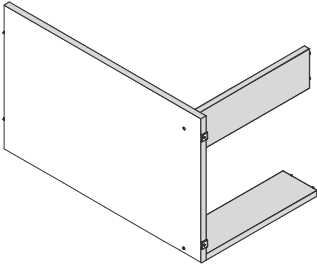
Detail 6



STEP 7

PARTS REQUIRED

1 - LEFT SIDE PANEL x1

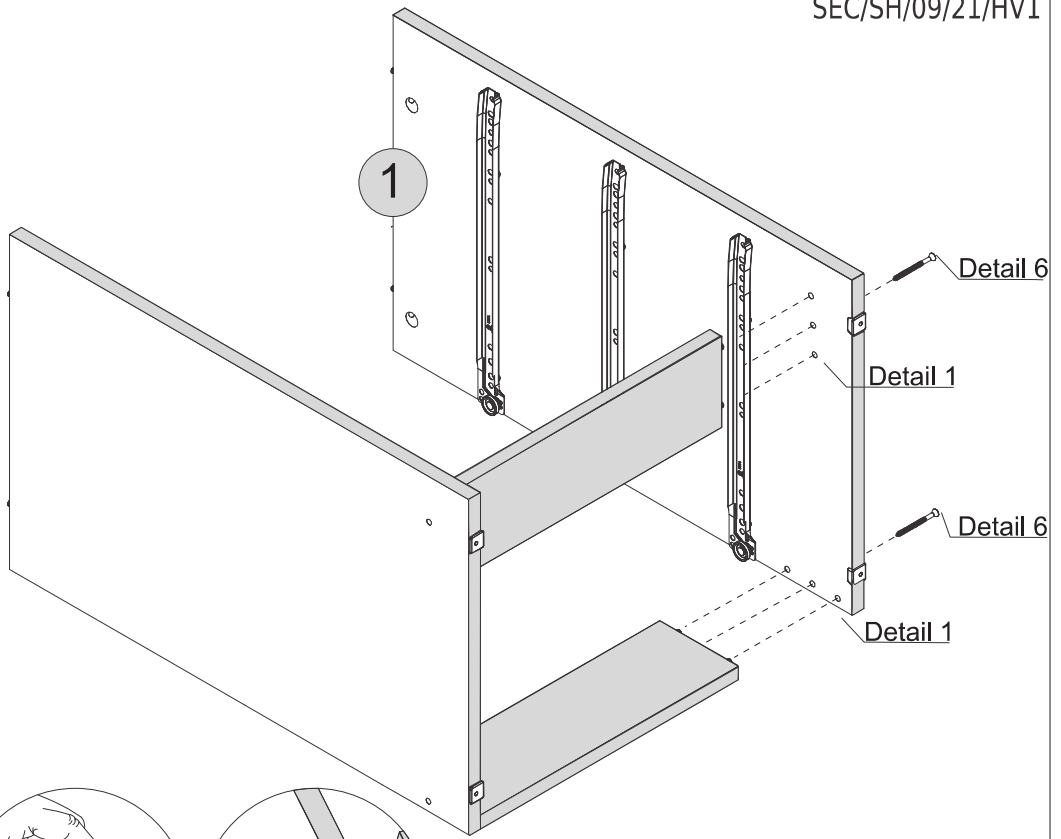
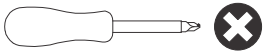


HARDWARE REQUIRED

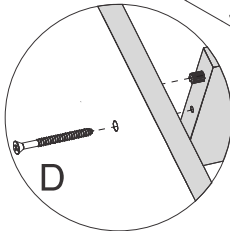
D  02
Ø4 x 50mm

K  01
GLUE

TOOLS REQUIRED



Detail 1




Detail 6

STEP 8

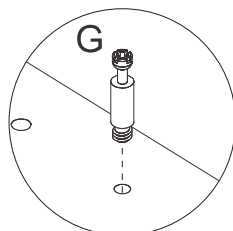
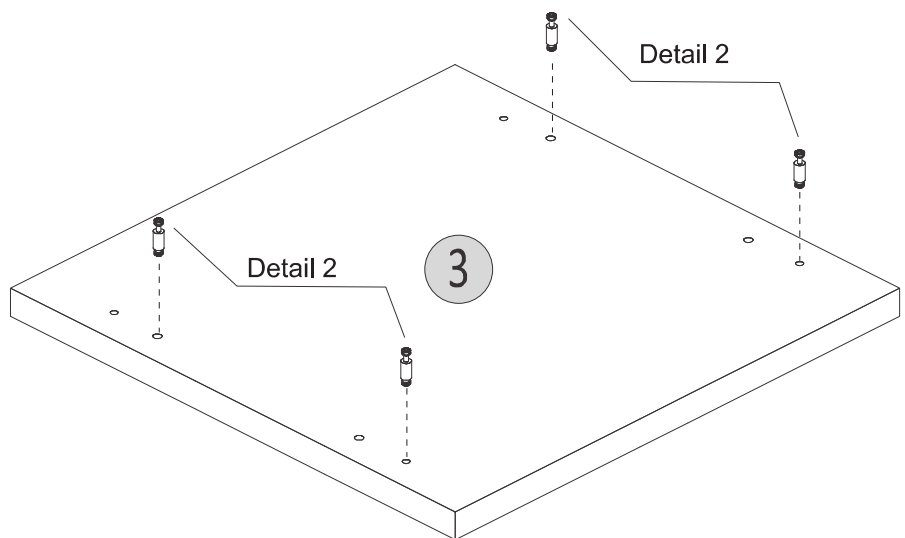
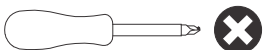
PARTS REQUIRED

3 - TOP PANEL x1

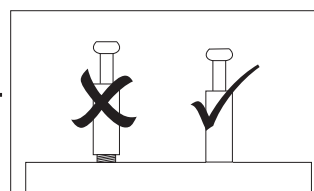
HARDWARE REQUIRED

G  04

TOOLS REQUIRED



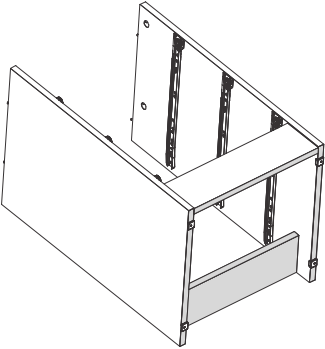
Detail 2



STEP 9

PARTS REQUIRED

3 - TOP PANEL x1

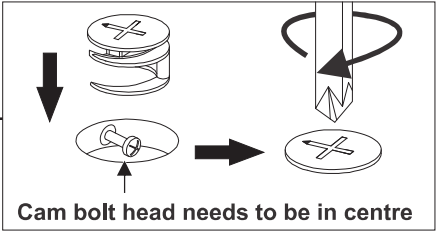
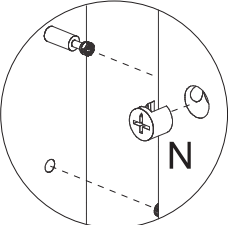
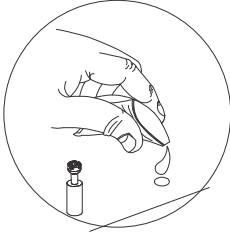
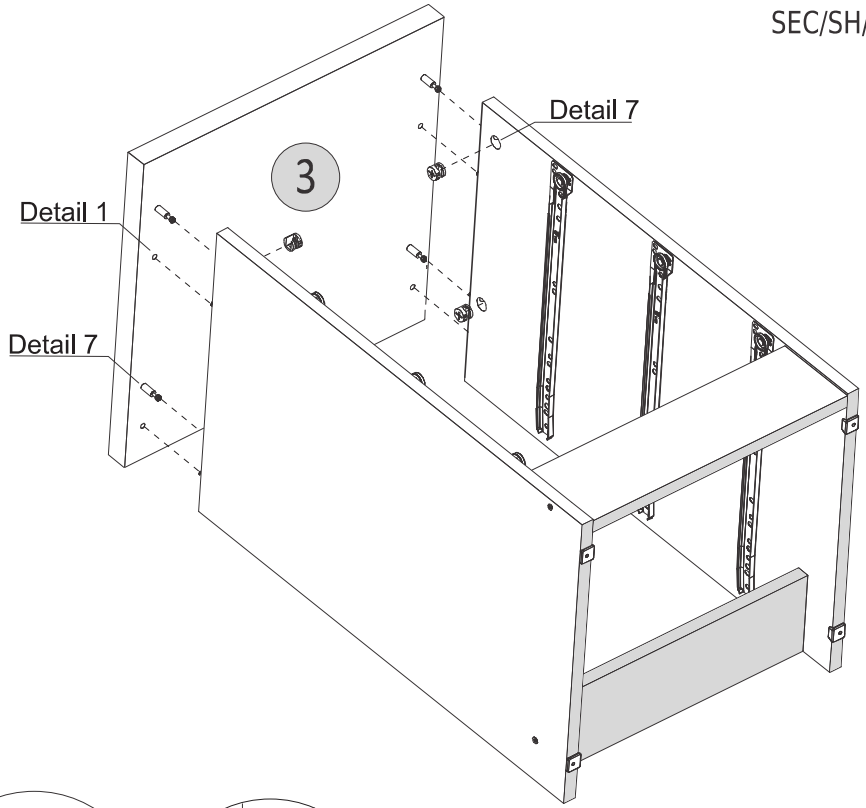
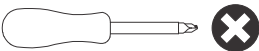


HARDWARE REQUIRED

K  01

N  04

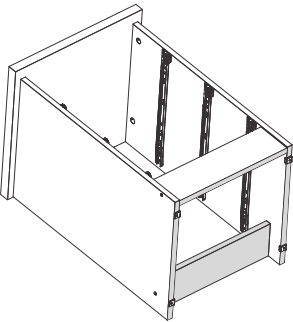
TOOLS REQUIRED



STEP 10

PARTS REQUIRED

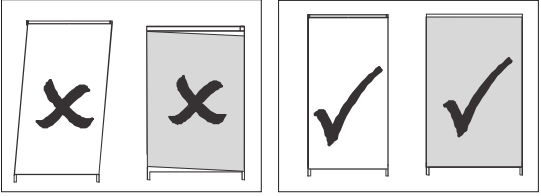
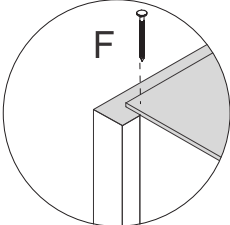
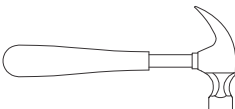
10 - BACK PANEL x1



HARDWARE REQUIRED

F  14

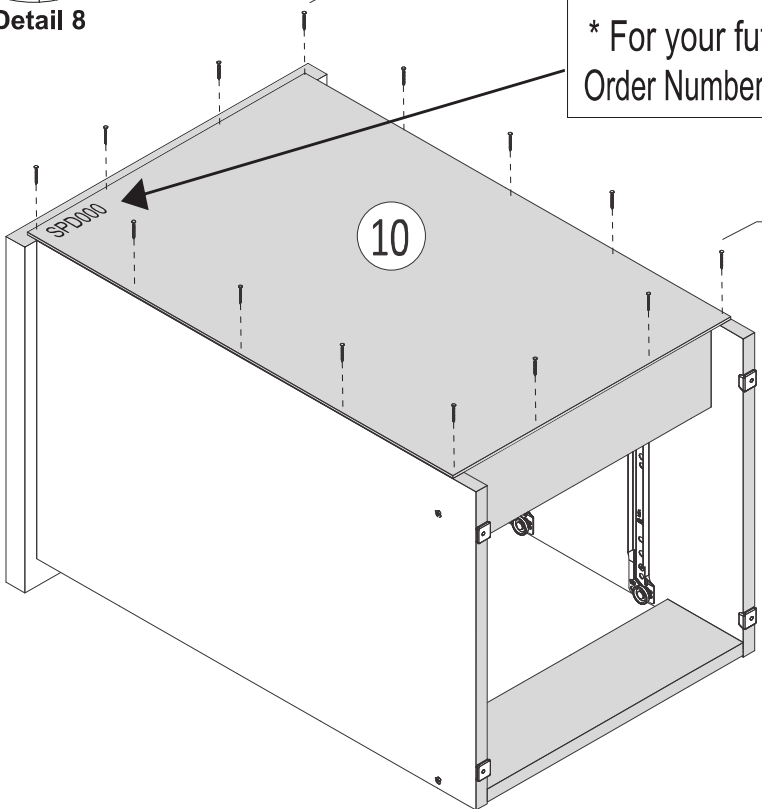
TOOLS REQUIRED



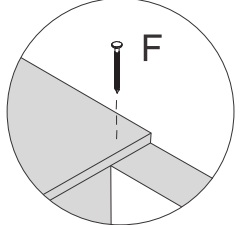
Detail 8

Detail 8

* For your future reference
Order Number should be here



Detail 8



Detail 8

STEP 11


SEC/SH/09/21/HV1

PARTS REQUIRED

6 - DRAWER SIDE x6

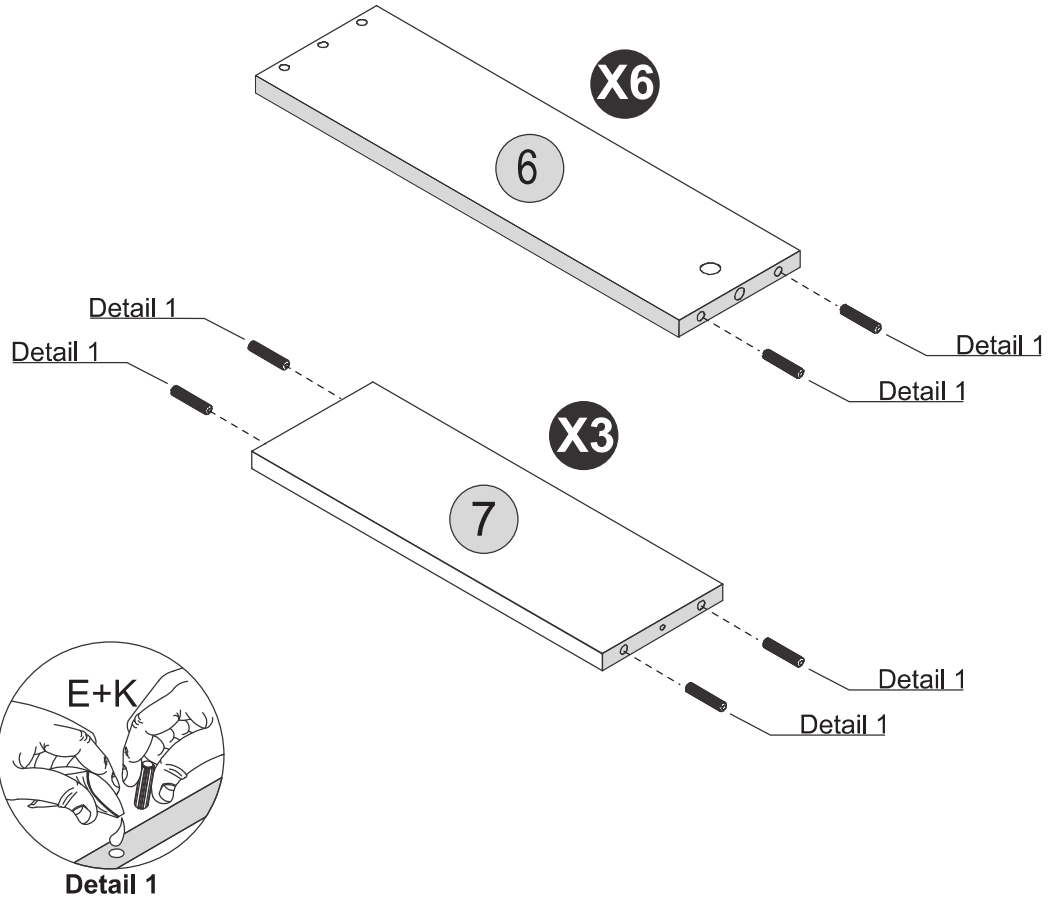
7 - DRAWER BACK PANEL x3

HARDWARE REQUIRED

E  24
Ø6 x 30mm

K  01
GLUE

TOOLS REQUIRED

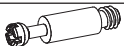


STEP 12

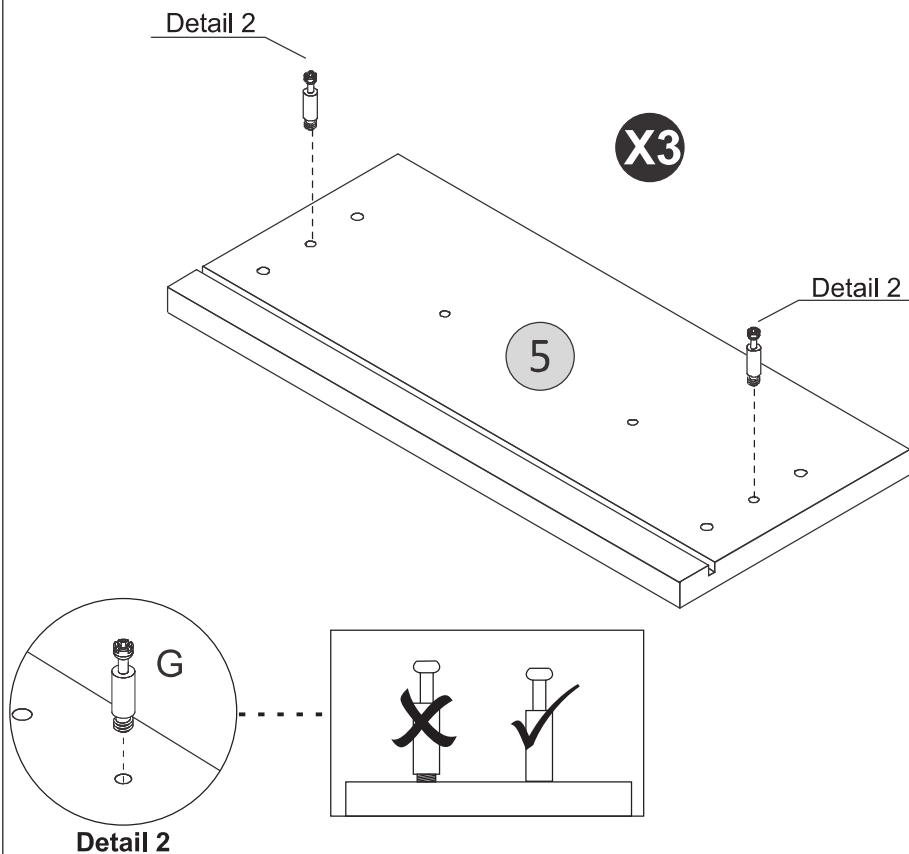
PARTS REQUIRED

5 - DRAWER FRONT x3

HARDWARE REQUIRED

G  06

TOOLS REQUIRED



STEP 13

PARTS REQUIRED

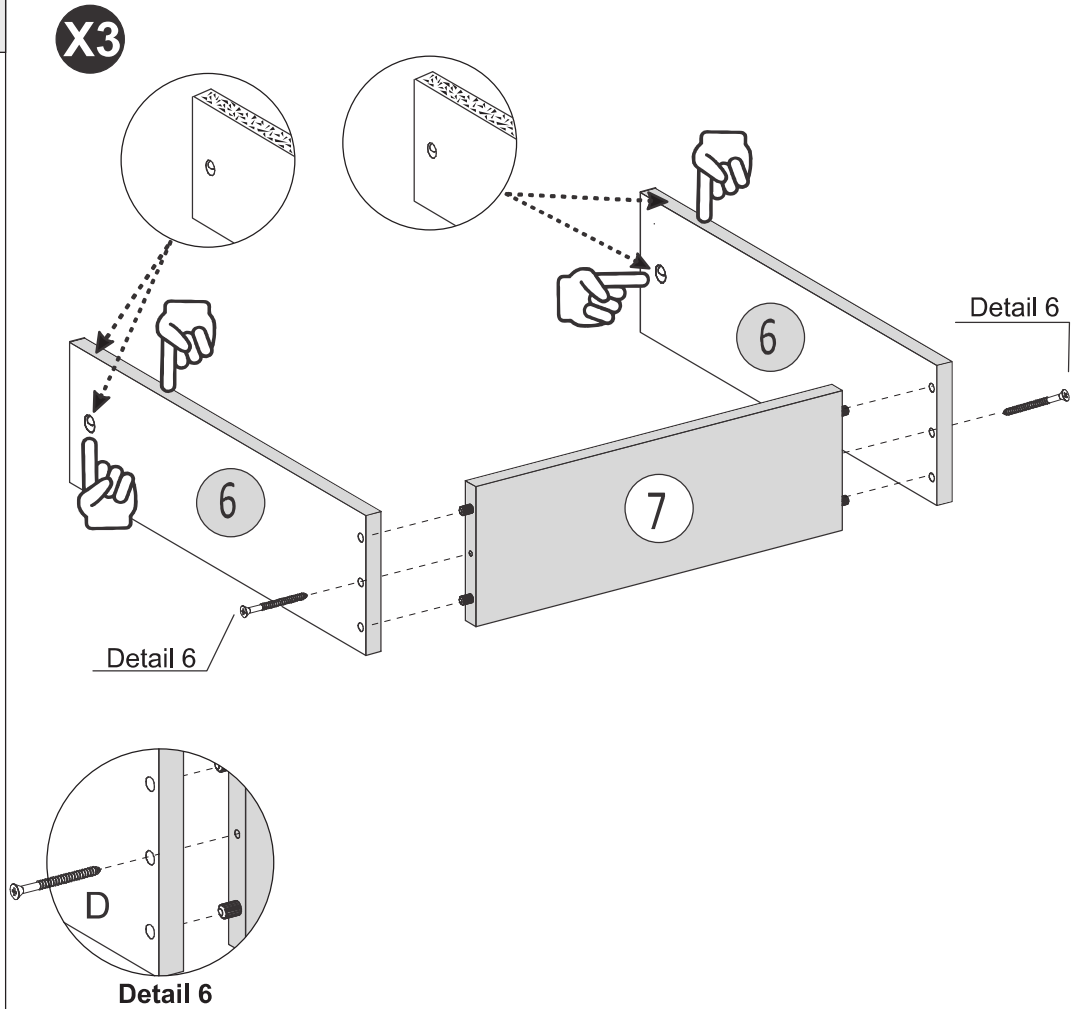
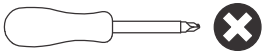
6 - DRAWER SIDE x6

7 - DRAWER BACK PANEL x3

HARDWARE REQUIRED

D  06
Ø4 x 50mm

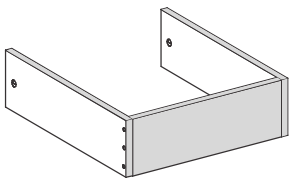
TOOLS REQUIRED



STEP 14

PARTS REQUIRED

5 - DRAWER FRONT x3

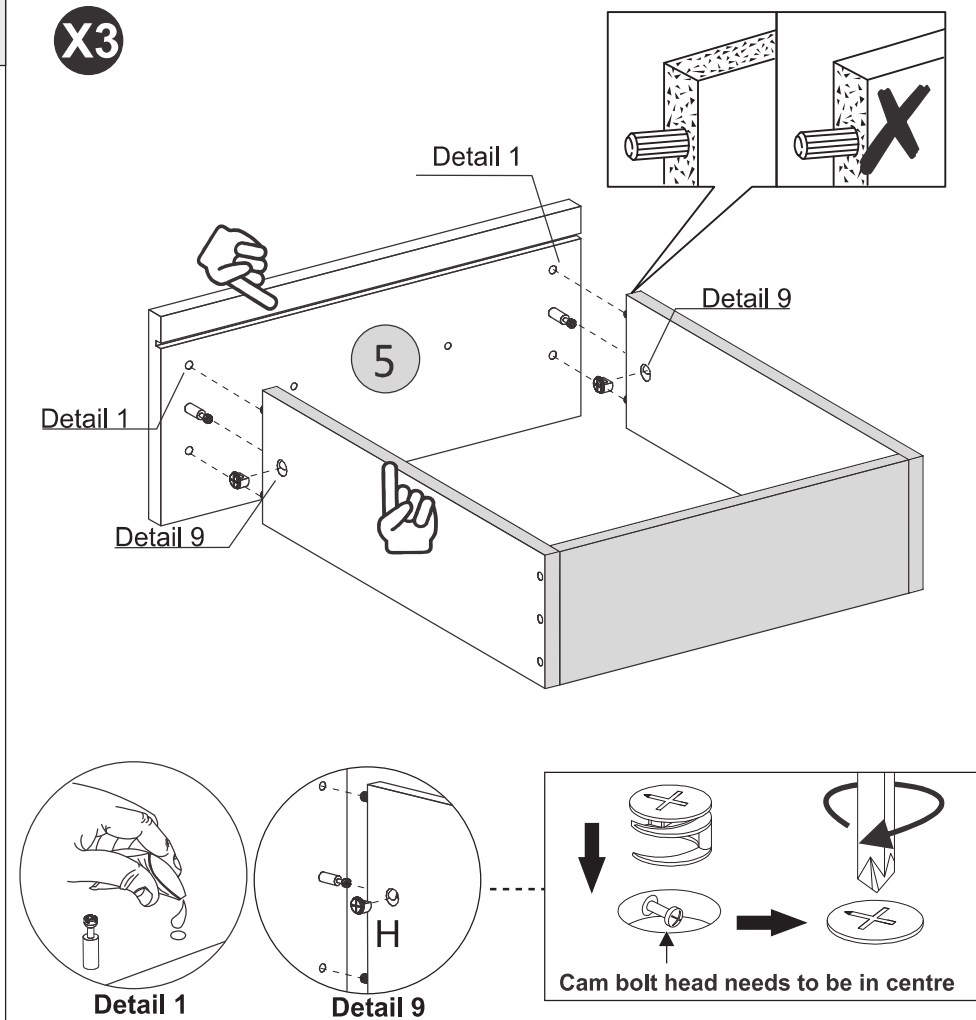
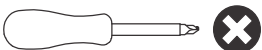


HARDWARE REQUIRED

H  06

K  01
GLUE

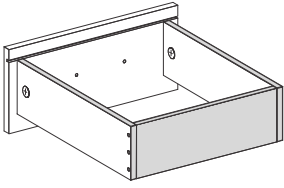
TOOLS REQUIRED



STEP 15

PARTS REQUIRED

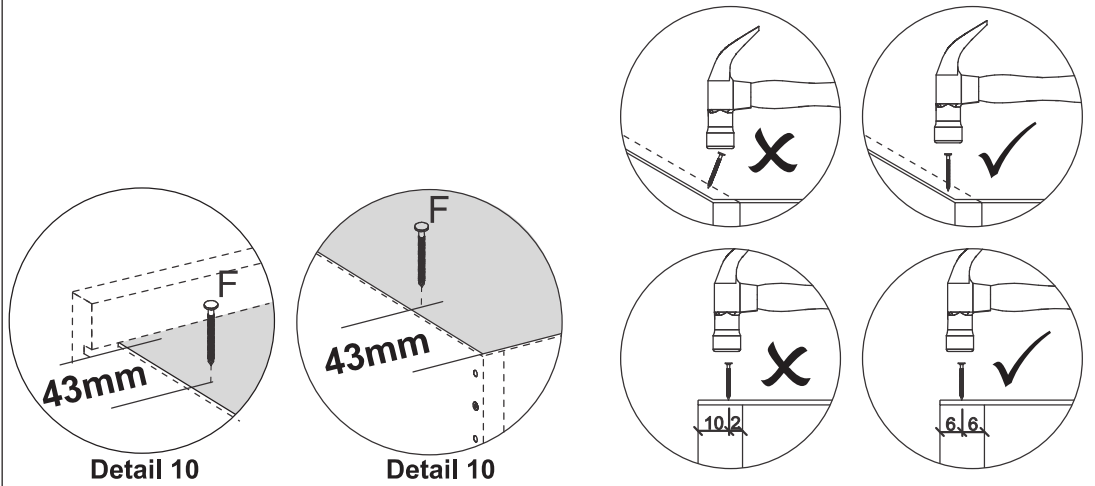
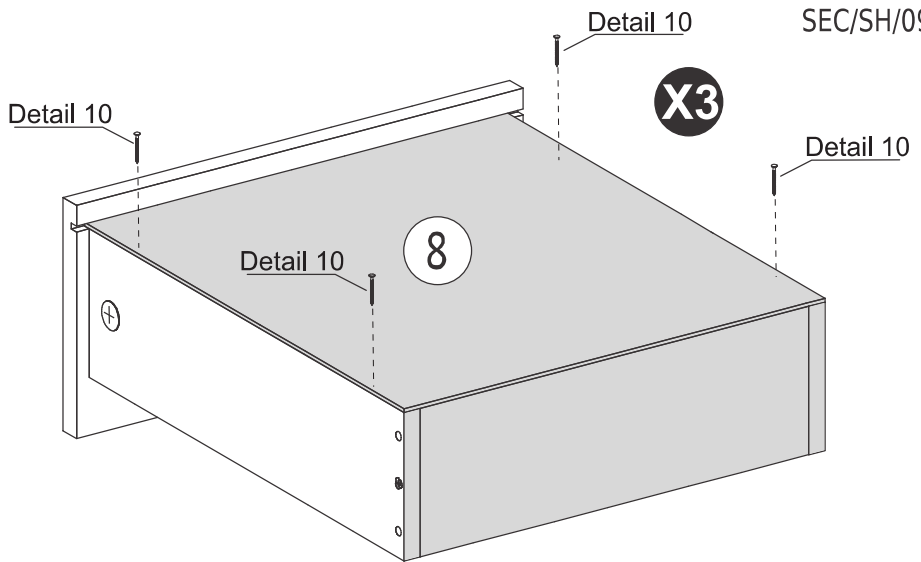
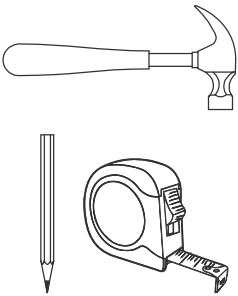
8 - DRAWER BOTTOM x3



HARDWARE REQUIRED

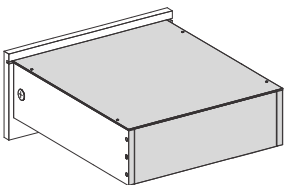
F  12
10 x 10

TOOLS REQUIRED



STEP 16

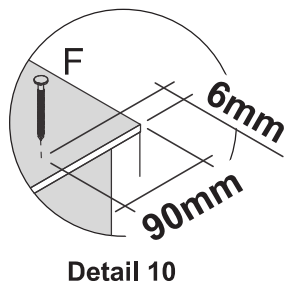
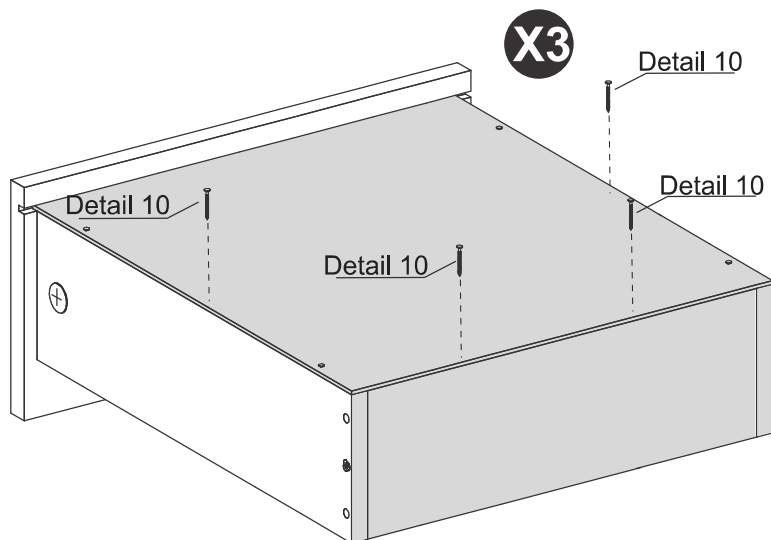
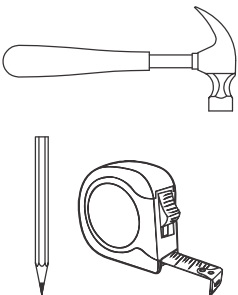
PARTS REQUIRED



HARDWARE REQUIRED

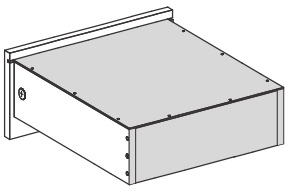
F  12
10 x 10

TOOLS REQUIRED

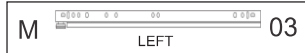
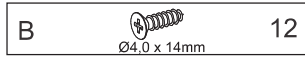


STEP 17

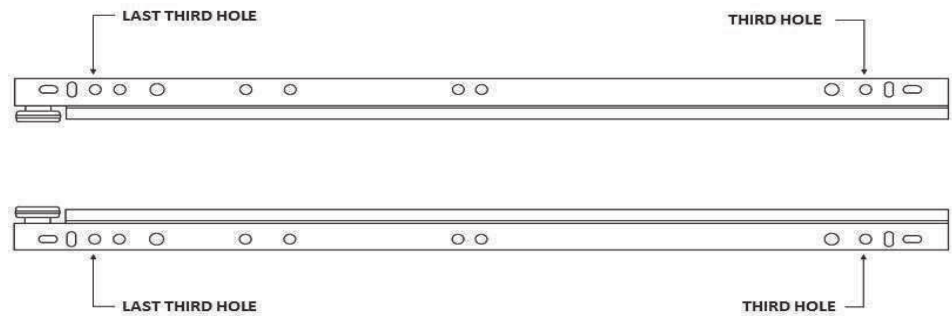
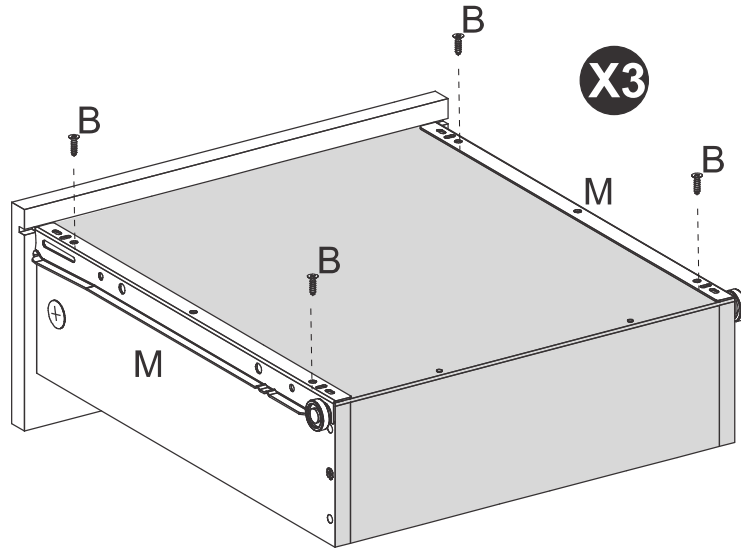
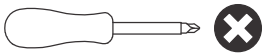
PARTS REQUIRED



HARDWARE REQUIRED

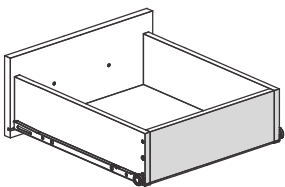


TOOLS REQUIRED

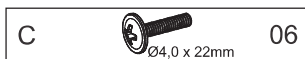


STEP 18

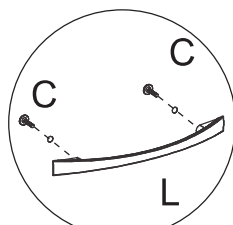
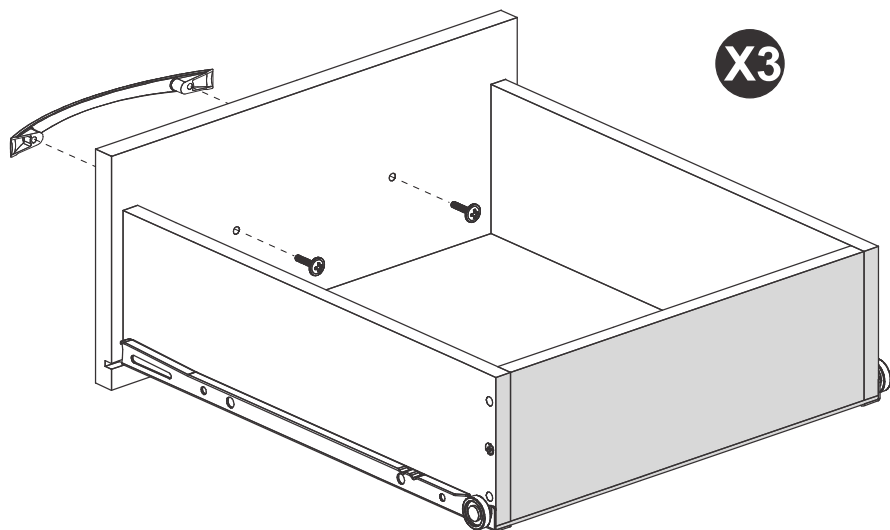
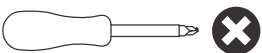
PARTS REQUIRED



HARDWARE REQUIRED



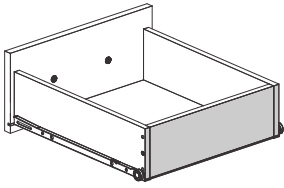
TOOLS REQUIRED



Detail 11

STEP 19

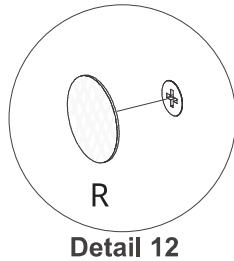
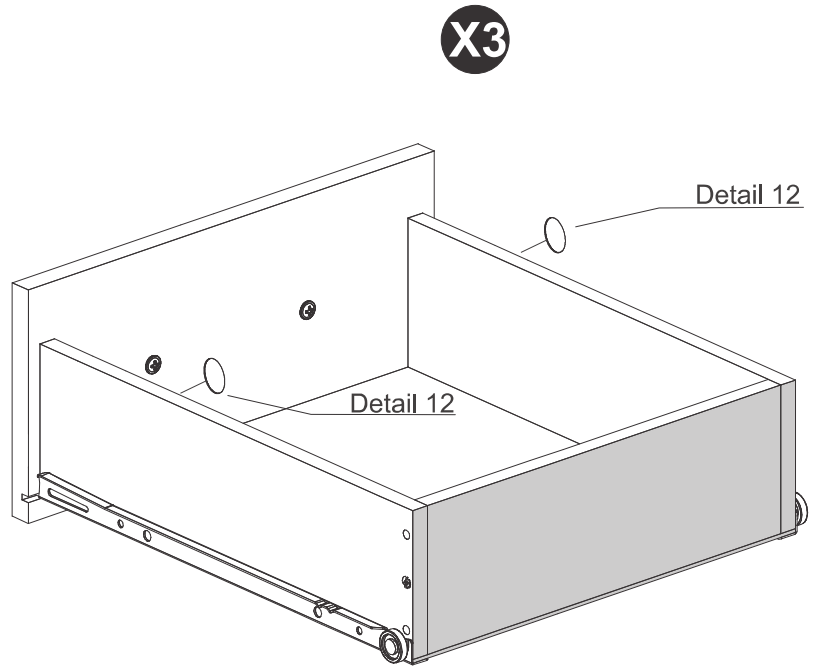
PARTS REQUIRED



HARDWARE REQUIRED

R 06

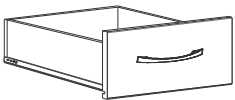
TOOLS REQUIRED



Detail 12

STEP 20

PARTS REQUIRED



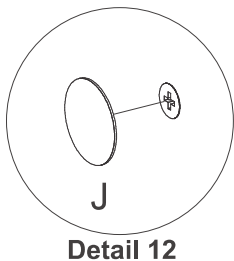
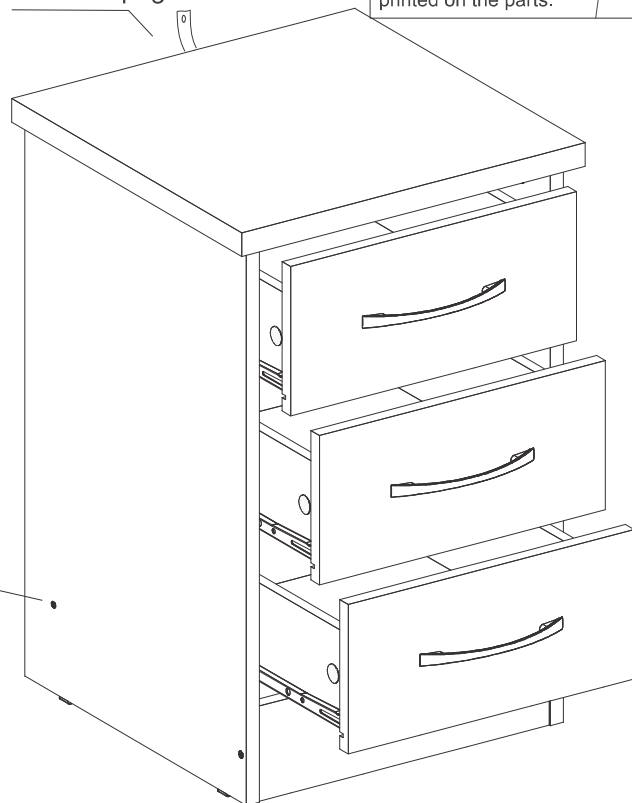
HARDWARE REQUIRED

J 04

TOOLS REQUIRED

See the last page

TIP
If desired, after assembly use an alcohol cleaner to erase the number printed on the parts.



Detail 12

WARNING

Serious or fatal injuries can occur from furniture tipping over. To prevent the furniture from tipping over we recommend that it is permanently fixed to the wall.

Wall fixings are not supplied with this product as different wall materials require different types of fixing devices.

Please make sure you use fixings suitable for the walls in your home.

