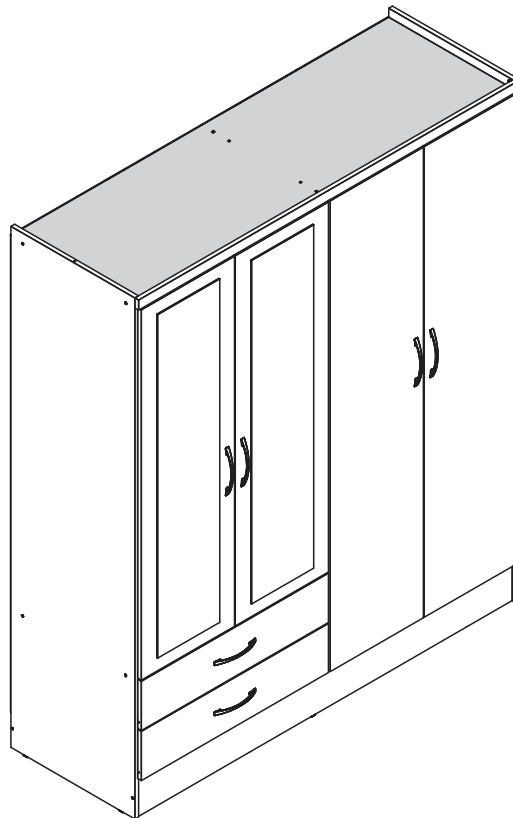


NEVADA 4 DOOR 2 DRAWER WARDROBE ASSEMBLY INSTRUCTIONS



IMPORTANT FOR DOMESTIC USE ONLY

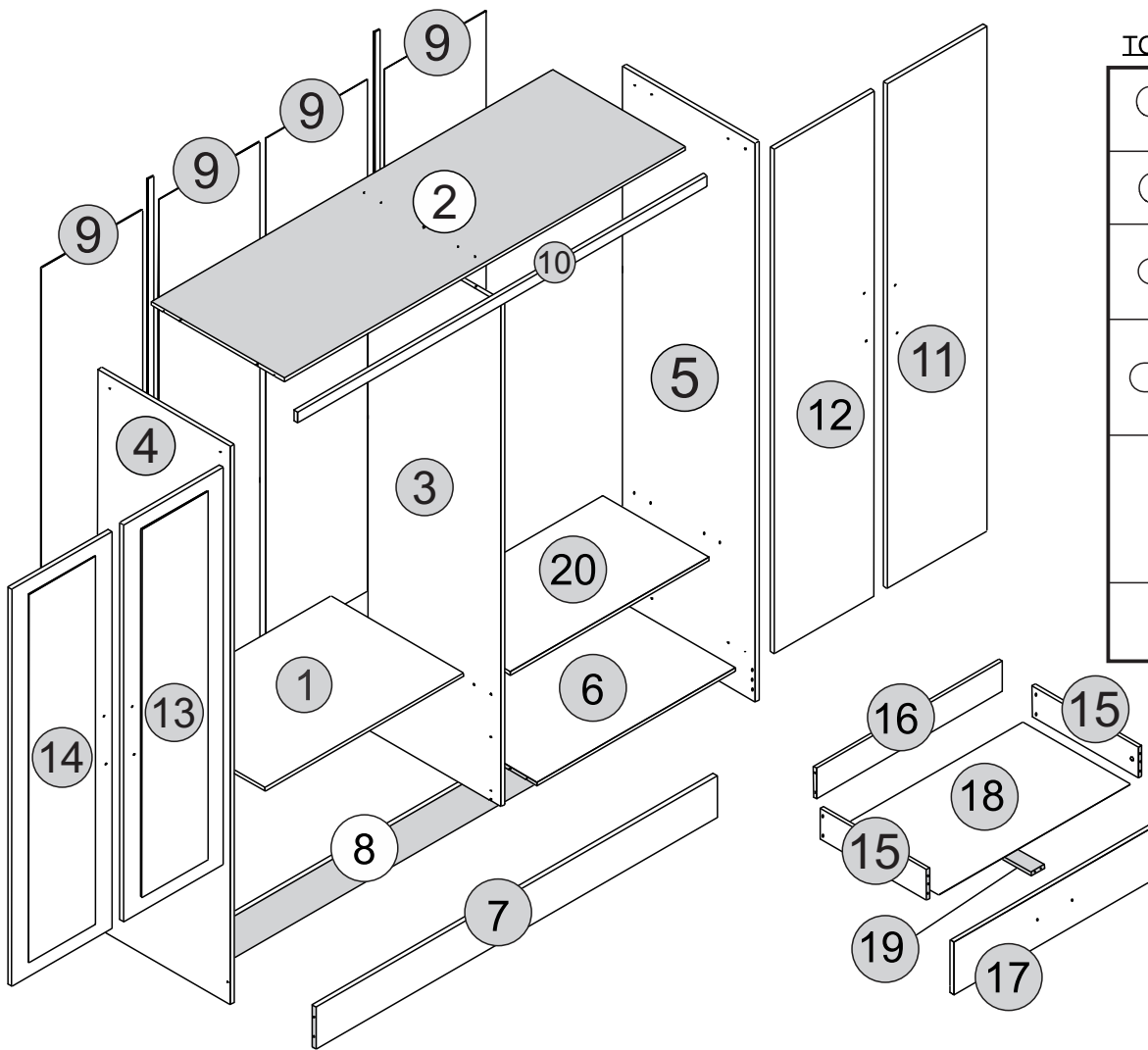
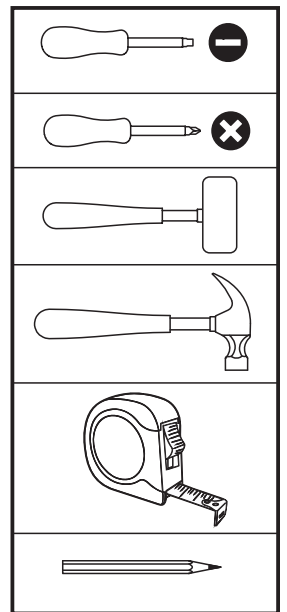
PLEASE READ BEFORE YOU CONTINUE FURTHER

CARE AND MAINTENANCE

After unpacking this product please keep the original packaging in case it needs to be returned for any reason.

- Please ensure all fittings and parts are present before commencing with assembly.
- Never drag or push products as this could cause damage to the joints making it inferior.
- We strongly recommend that you keep children away from your work area.
- We recommend that you lay a blanket or sheet on the floor to avoid damage to both your floor and the product.
- Assemble this product as close to its final position as possible.
- Do not place this product next to a radiator or in direct sunlight.
- Do not drag or push items across your high gloss furniture as this may cause the surface to scratch
- Wood is a natural product and may expand if subjected to damp and may shrink or crack if subjected to heat. Therefore it is recommended that room temperature is maintained, with no sudden temperature fluctuations.
- Make sure any spillage is wiped off immediately.
- Do not place hot or chilled items directly on to the surface, use a place mat or marking will occur.
- For general cleaning use a soft cotton or micro fibre cloth, and do not use detergents of any kind.
- From time to time it may be necessary to tighten fittings, regular inspections should be carried out.
- Do not place on a wet or damp floor as staining may occur to your floor.


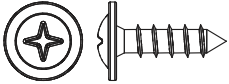

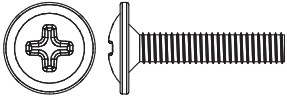

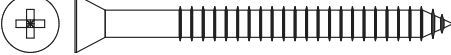

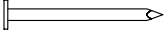
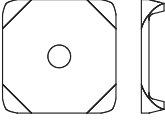
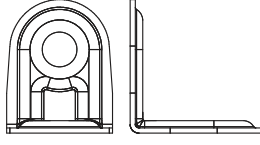
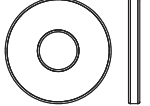
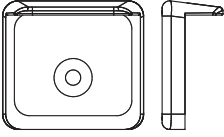
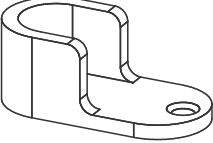
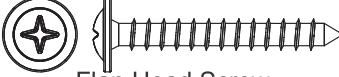
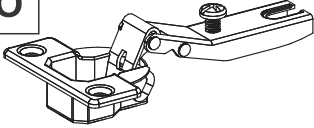
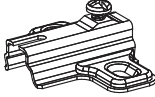
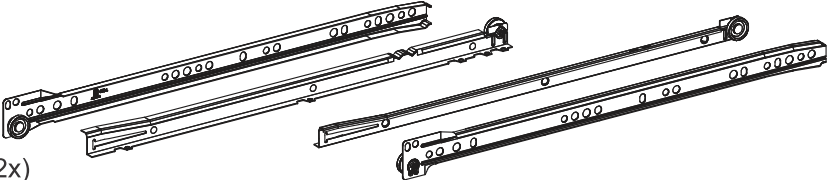
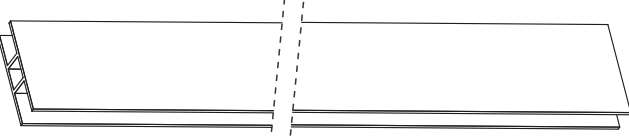




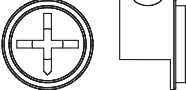
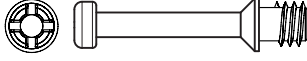
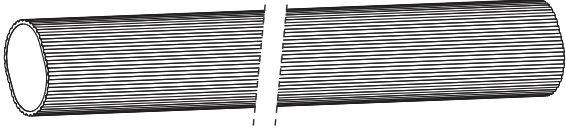

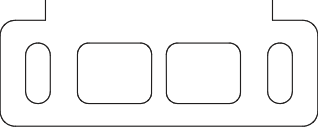
TOOLS REQUIRED



Please Note:
The below parts have all been stamped with the part number to help identify them during assembly.

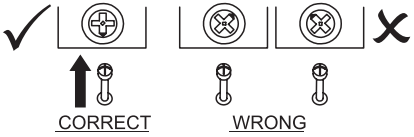
Part Number	Part Description	Quantity	Carton
1	Drawer Top	1	1/3
2	Top Panel	1	2/3
3	Division Panel	1	2/3
4	Left Side Panel	1	1/3
5	Right Side Panel	1	1/3
6	Base Panel	1	1/3
7	Front Baseboard	1	2/3
8	Back Baseboard	1	2/3
9	Back Panel	4	2/3
10	Frame	1	2/3
11	Right Large Door	1	3/3
12	Left Large Door	1	3/3
13	Right Small Door	1	3/3
14	Left Small Door	1	3/3
15	Drawer Side	4	1/3
16	Drawer Back Panel	2	2/3
17	Drawer Front	2	1/3
18	Drawer Bottom	2	2/3
19	Drawer Bottom Support Bar	2	2/3
20	Shelf	1	1/3

FITTINGS LIST

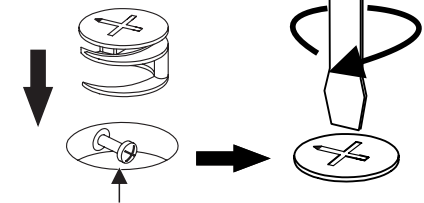
<p>A</p>  <p>Flat Head Screw Ø6,0 x 8mm (8x)</p> <p>+1+</p>	<p>B</p>  <p>Flan Head Screw Ø3,5 x 12mm (20x)</p> <p>+1/2</p>	<p>C</p>  <p>Flat Head Screw Ø4,0 x 14mm (68x)</p> <p>+1/2</p>	<p>D</p>  <p>Flan Head Screw Ø4,0 x 20mm (12x)</p> <p>+1/2</p>
<p>E</p>  <p>Flat Head Screw Ø3,5 x 25mm (2x)</p> <p>+1/1</p>		<p>F</p>  <p>Flat Head Screw Ø4,0 x 45mm (28x)</p> <p>+1/2</p>	<p>G</p>  <p>+1/2 Dowel Ø6,0 x 30mm (46x)</p>
<p>H</p>  <p>Nail 10 x 10 (100X)</p> <p>+1/5</p>	<p>I</p>  <p>Back Panel Bracket (14x)</p> <p>+1/2</p>	<p>J</p>  <p>+1/1 'L' Metallic Support (6x)</p>	<p>K</p>  <p>Washer (4x)</p> <p>+1/1</p>
<p>L</p>  <p>Plastic Foot (6x)</p> <p>+1/1</p>	<p>M</p>  <p>Hanging Rail Support (4x)</p>	<p>N</p>  <p>Flan Head Screw Ø3,5 x 30mm (2x)</p> <p>+1/1</p>	<p>O</p>  <p>Hinge (12x)</p>
<p>P</p>  <p>Hinge Plate (12x)</p>	<p>Q</p>  <p>Drawer Runners (2x)</p>		
<p>R</p>  <p>Back Panel Strip (2x)</p>	<p>S</p>  <p>Strap (2x)</p>	<p>T</p>  <p>Handle (6x)</p>	
<p>U</p>  <p>Hole Plugs (28x)</p> <p>+1/2</p>	<p>V</p>  <p>Glue (2x)</p> <p>Glue (2x)</p>	<p>W</p>  <p>Cam Nut (4x)</p> <p>+1/1</p>	<p>X</p>  <p>Cam Bolt (4x)</p> <p>+1/1</p>
<p>Y</p>  <p>Hanging Rail (2x)</p>	<p>Z</p>  <p>Flat Head Screw Ø4,0 x 12mm (12x)</p> <p>+1/2</p>	<p>A1</p>  <p>Door Support (4x)</p>	

TIPS FOR FITTINGS CAM-LOCKS

WHEN FITTING CAM NUT, ENSURE STARTING POSITION IS CORRECT BEFORE YOU INSERT CONNECTING CAM BOLT TURN CLOCKWISE UNTIL SECURE



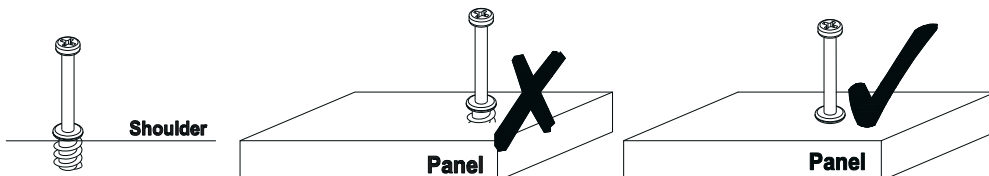
CORRECT **WRONG**



Cam bolt head needs to be in centre

CAMBOLT

Tighten until shoulder in flush with panel. Do not overtighten or undertighten (see example beside)

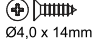


STEP 1

PARTS REQUIRED

4 - LEFT SIDE PANEL x1

HARDWARE REQUIRED

C  08
Ø4,0 x 14mm

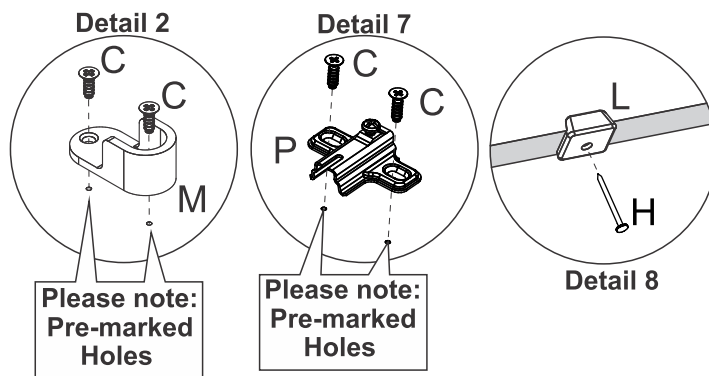
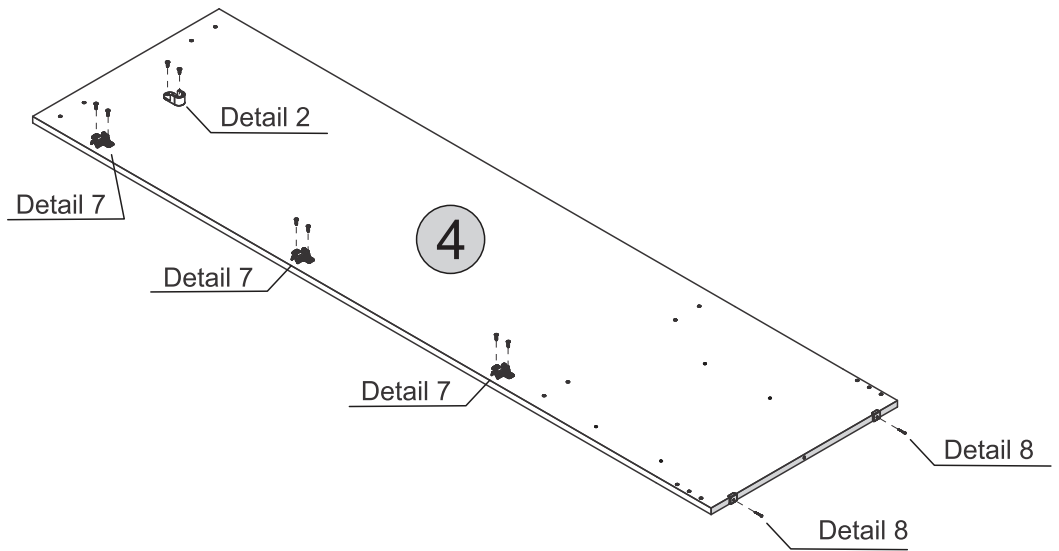
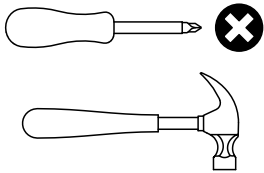
H  02

L  02

M  01

P  03

TOOLS REQUIRED



Please note:
Pre-marked
Holes

Please note:
Pre-marked
Holes


Detail 8

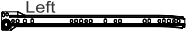
STEP 2

PARTS REQUIRED

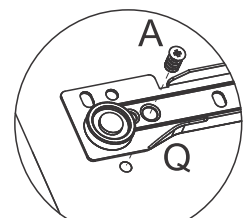
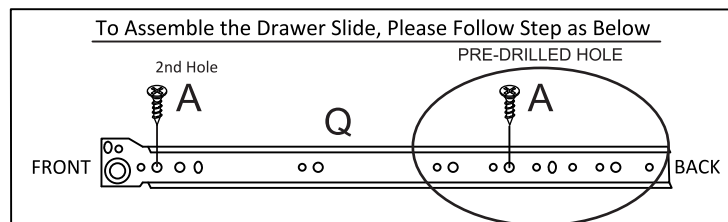
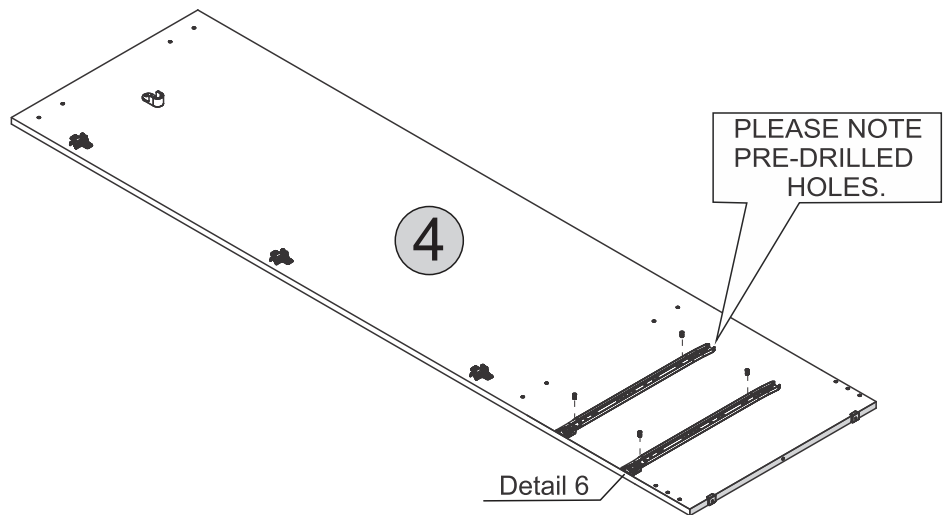
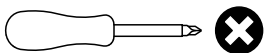
4 - LEFT SIDE PANEL x1

HARDWARE REQUIRED

A  04
Ø6,0 x 8mm

Q  02

TOOLS REQUIRED



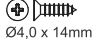
Detail 6

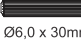
STEP 3


PARTS REQUIRED

3 - DIVISION PANEL x1

HARDWARE REQUIRED

C  08
Ø4,0 x 14mm

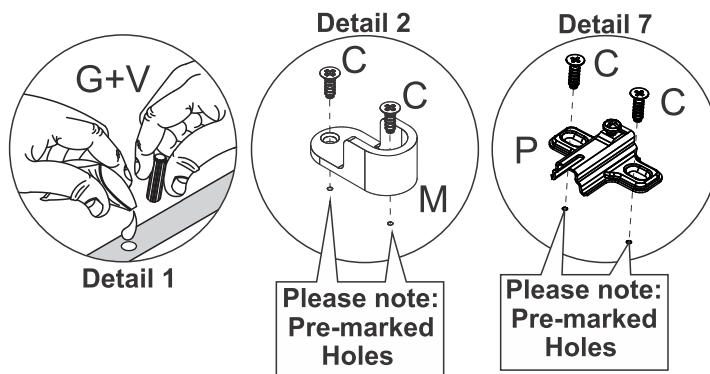
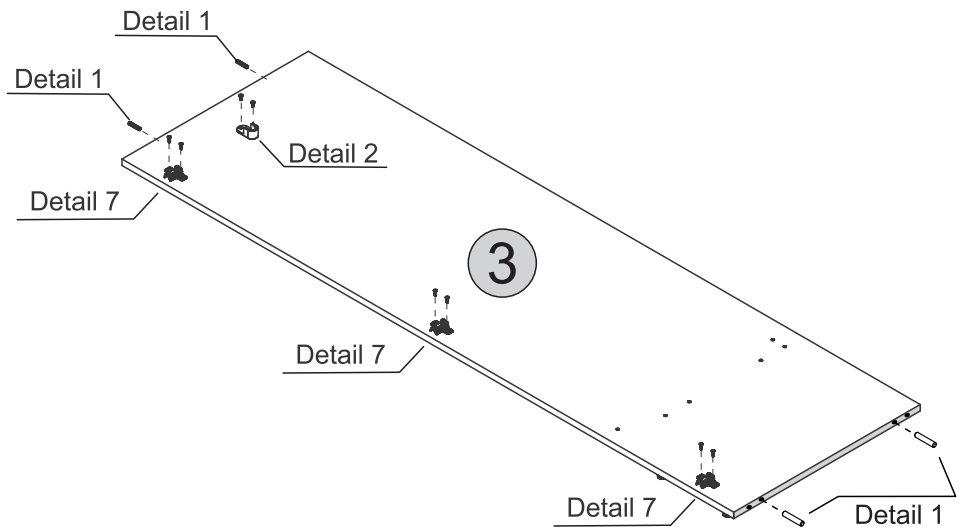
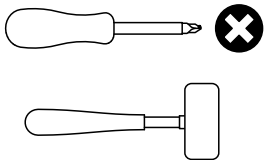
G  04
Ø6,0 x 30mm

M  01

P  03

V  01
Glue

TOOLS REQUIRED

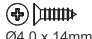


STEP 4

PARTS REQUIRED

3 - DIVISION PANEL x1

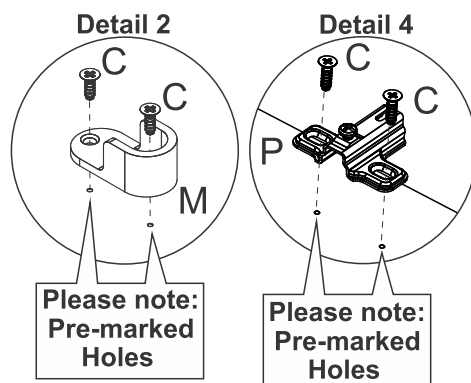
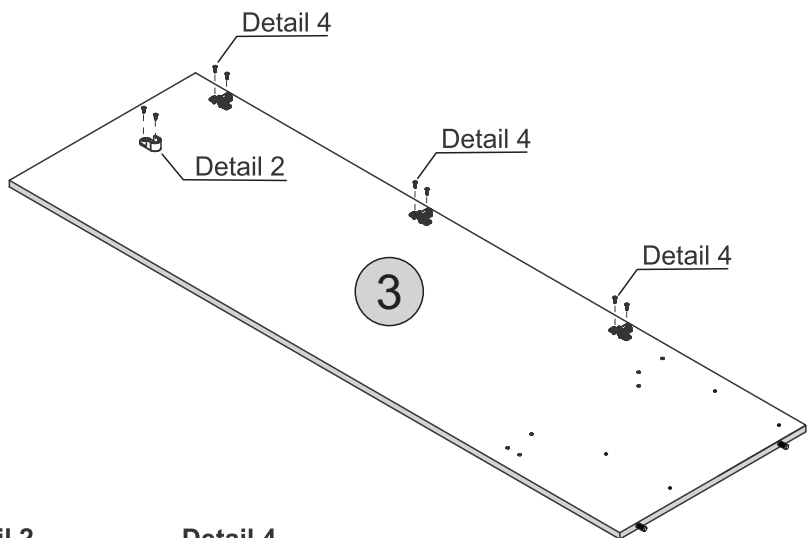
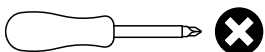
HARDWARE REQUIRED

C  08
Ø4,0 x 14mm

M  01

P  03

TOOLS REQUIRED




STEP 5

PARTS REQUIRED

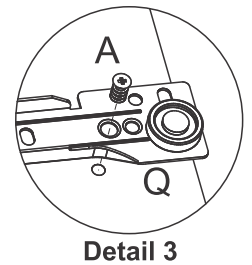
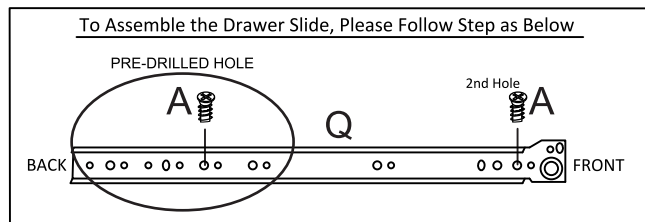
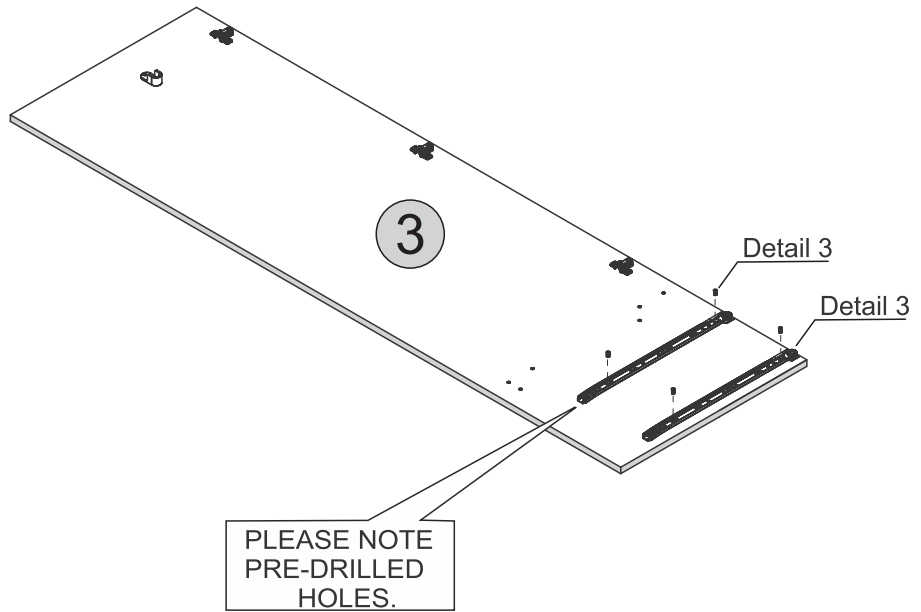
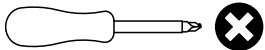
3 - DIVISION PANEL x1

HARDWARE REQUIRED

A  04
Ø6,0 x 8mm

Q  02
Right

TOOLS REQUIRED





STEP 6

PARTS REQUIRED


5 - RIGHT SIDE PANEL x1

HARDWARE REQUIRED

C  08
Ø4,0 x 14mm

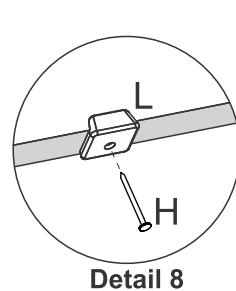
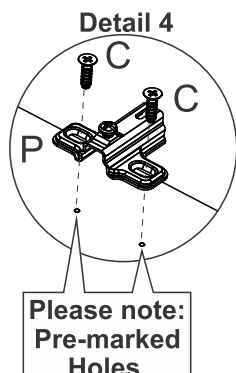
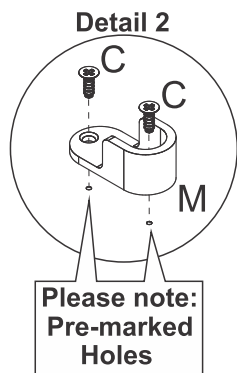
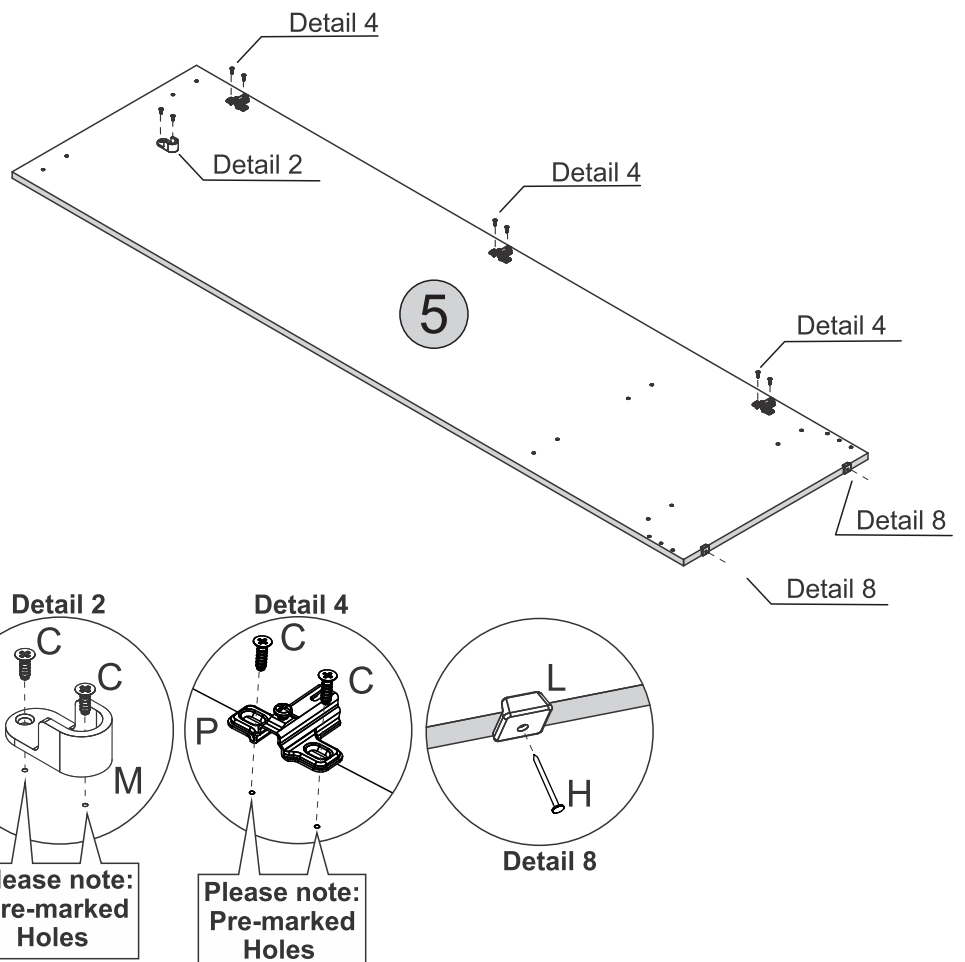
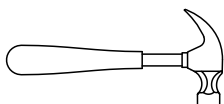
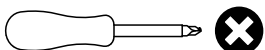
H  02

L  02

M  01

P  03

TOOLS REQUIRED



STEP 7

PARTS REQUIRED


7 - FRONT BASEBOARD x1

8 - BACK BASEBOARD x1

HARDWARE REQUIRED

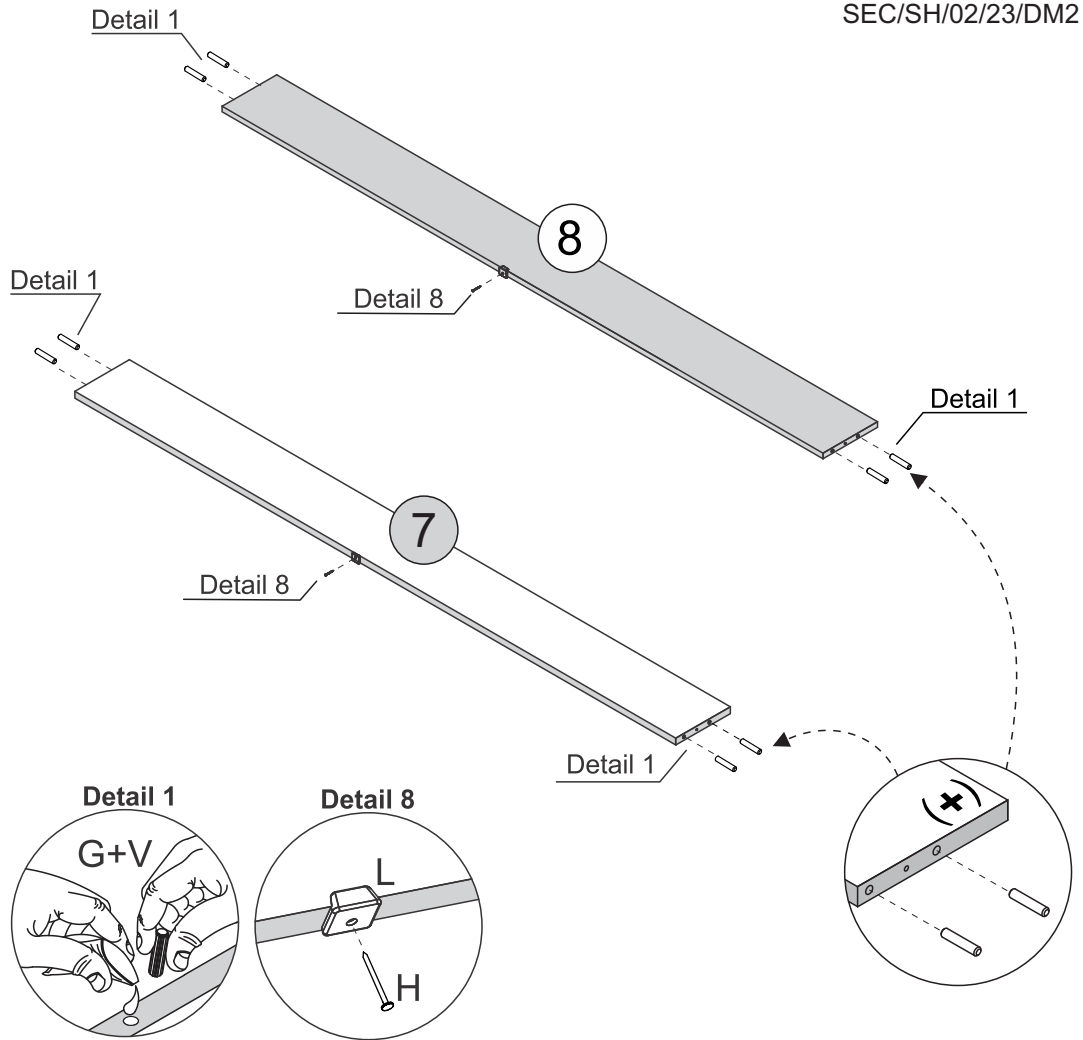
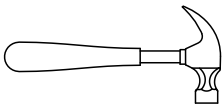
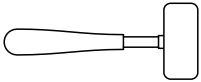
H  02

L  02

G  08
Ø6,0 x 30mm

V  01

TOOLS REQUIRED



STEP 8

PARTS REQUIRED


1 - DRAWER TOP x1

6 - BASE PANEL x1

20 - SHELF x1

HARDWARE REQUIRED

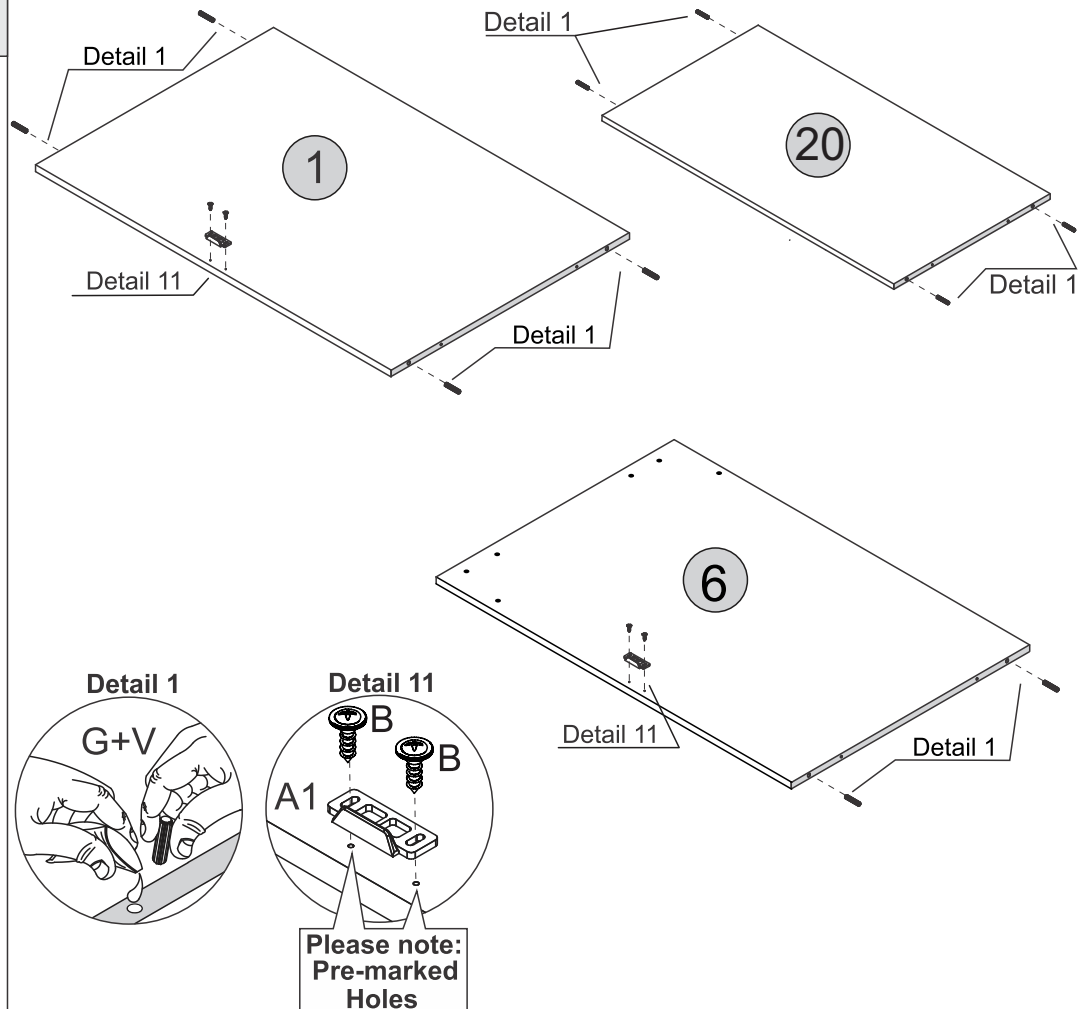
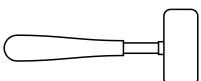
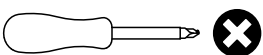
B  04
Ø3,5 x 12mm

G  10
Ø6,0 x 30mm

V  01

A1  02

TOOLS REQUIRED









STEP 9

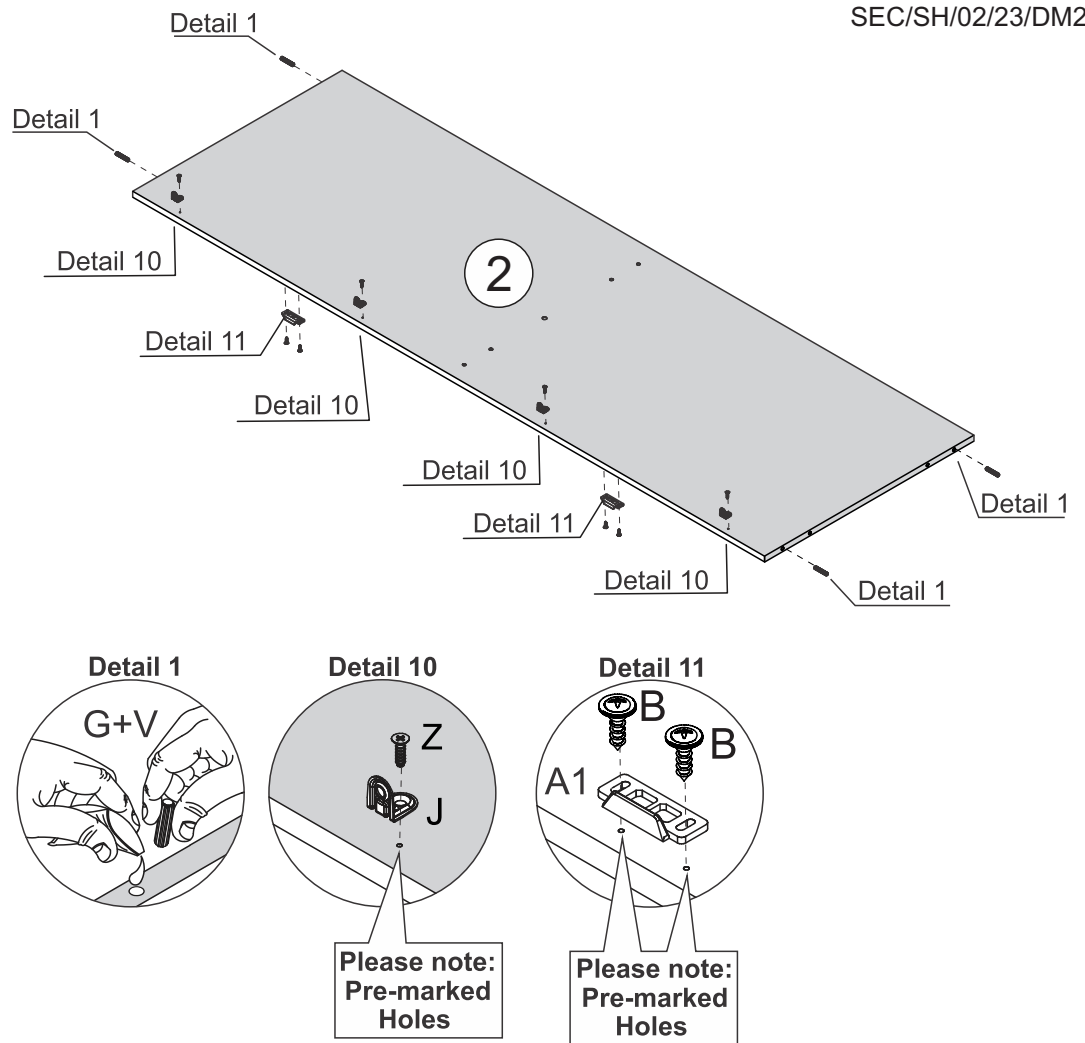
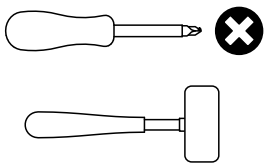
PARTS REQUIRED

2 - TOP PANEL x1

HARDWARE REQUIRED

- B  04
Ø3,5 x 12mm
- G  04
Ø6,0 x 30mm
- J  04
- V  01
Glue
- Z  04
Ø4,0 x 12mm
- A1  02

TOOLS REQUIRED



STEP 10

PARTS REQUIRED

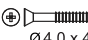

1 - DRAWER TOP x1

2 - TOP PANEL x1

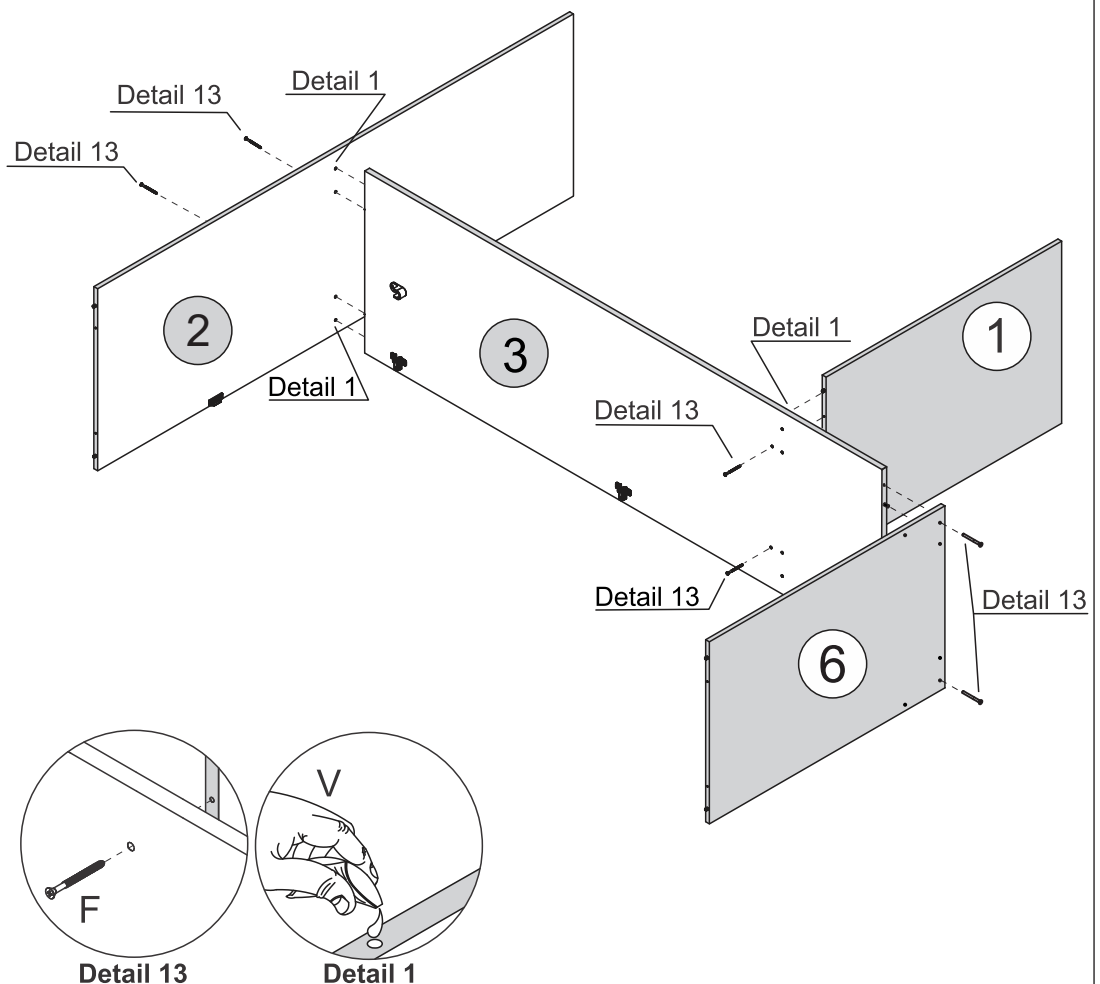
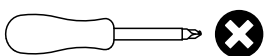
3 - DIVISION PANEL x1

6 - BASE PANEL x1

HARDWARE REQUIRED

- F  06
Ø4,0 x 45mm
- V  01
Glue

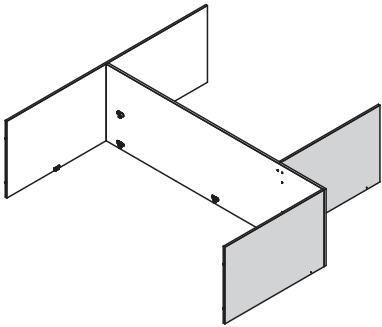
TOOLS REQUIRED




STEP 11

PARTS REQUIRED

4 - LEFT SIDE PANEL x1

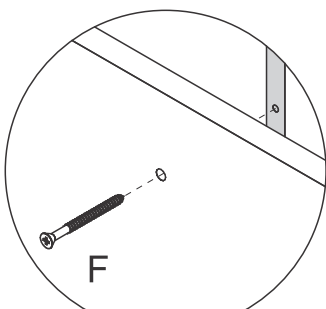
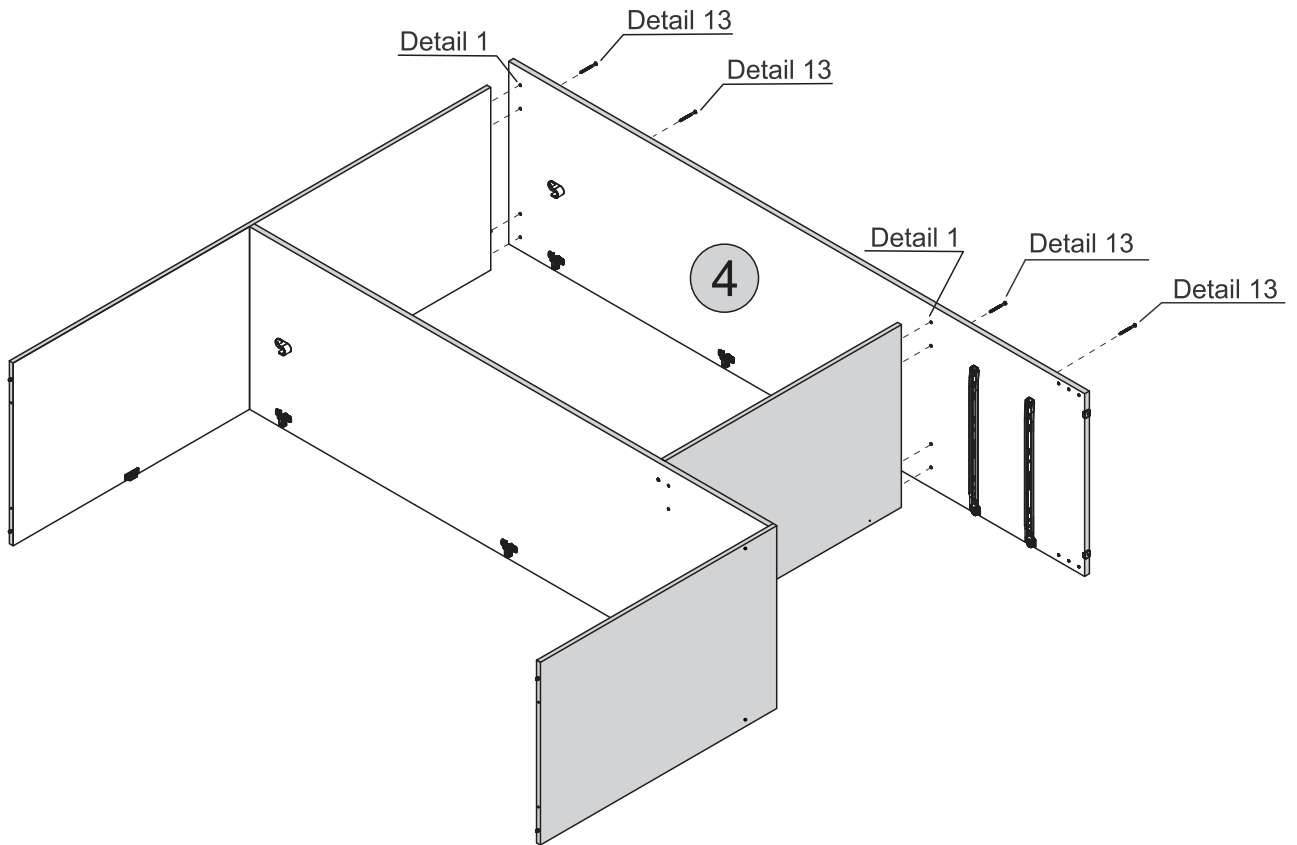
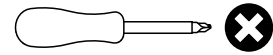


HARDWARE REQUIRED

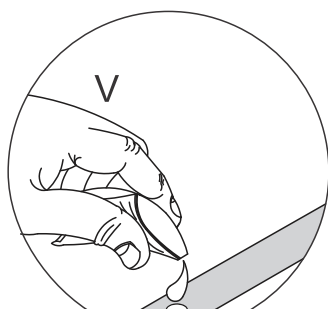
F  Ø4,0 x 45mm 04

V  01

TOOLS REQUIRED



Detail 13





Detail 1

STEP 12

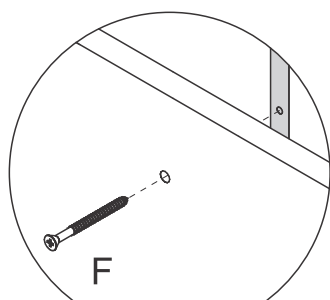
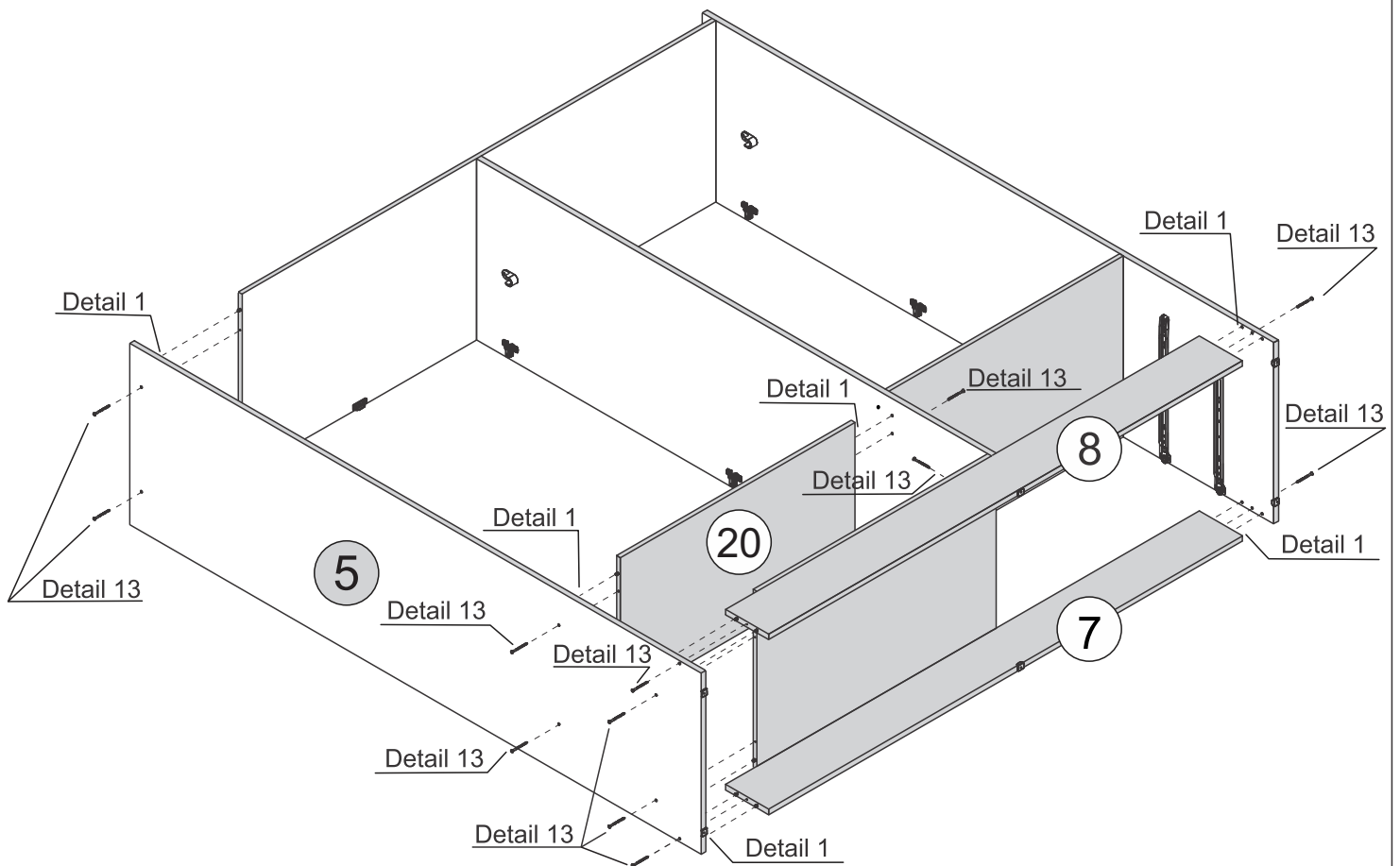
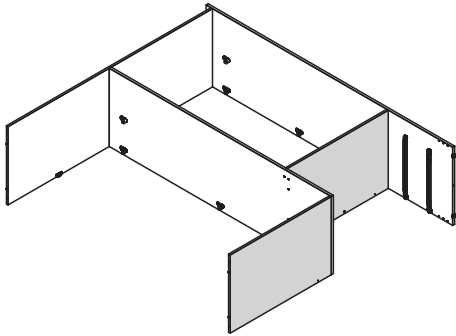
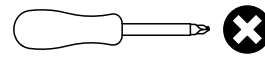
PARTS REQUIRED

5 - RIGHT SIDE PANEL	x1
7 - FRONT BASEBOARD	x1
8 - BACK BASEBOARD	x1
20 - SHELF	x1

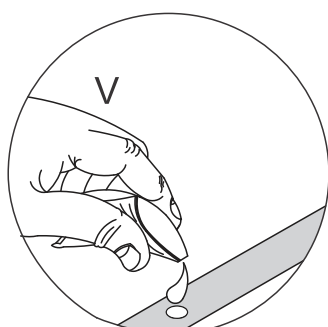
HARDWARE REQUIRED

F	 Ø4.0 x 45mm	14
V		01

TOOLS REQUIRED



Detail 13

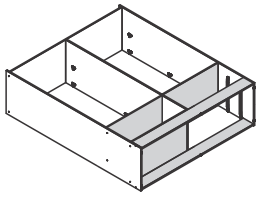


Detail 1

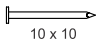
STEP 13


PARTS REQUIRED

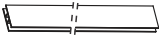
9 - BACK PANEL x4



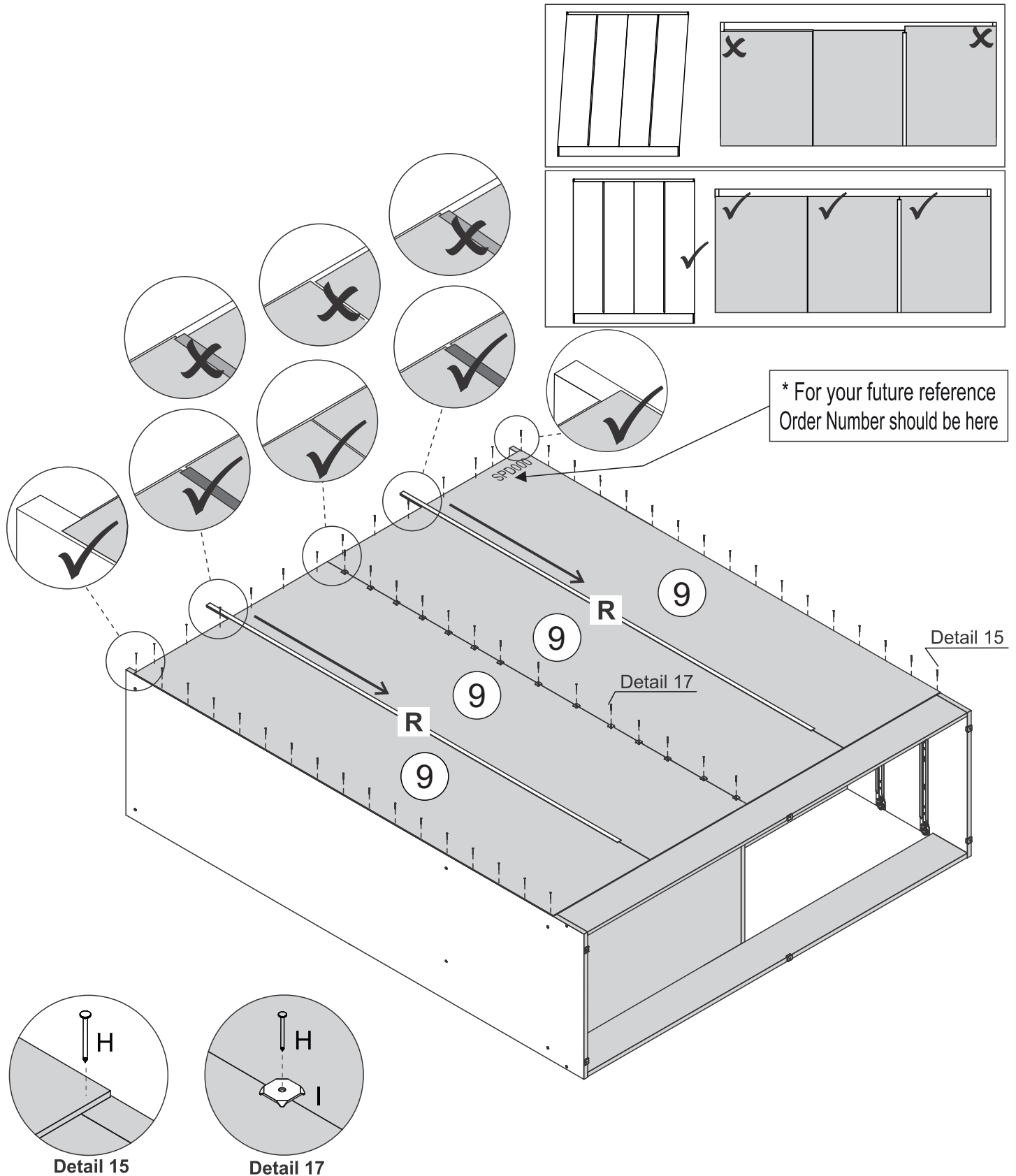
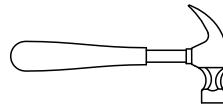
HARDWARE REQUIRED

H  10 x 10 62

I  14

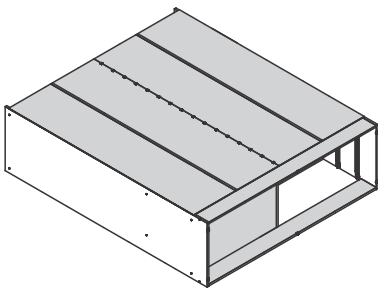
R  02

TOOLS REQUIRED

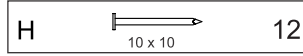


STEP 14

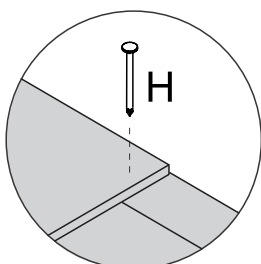
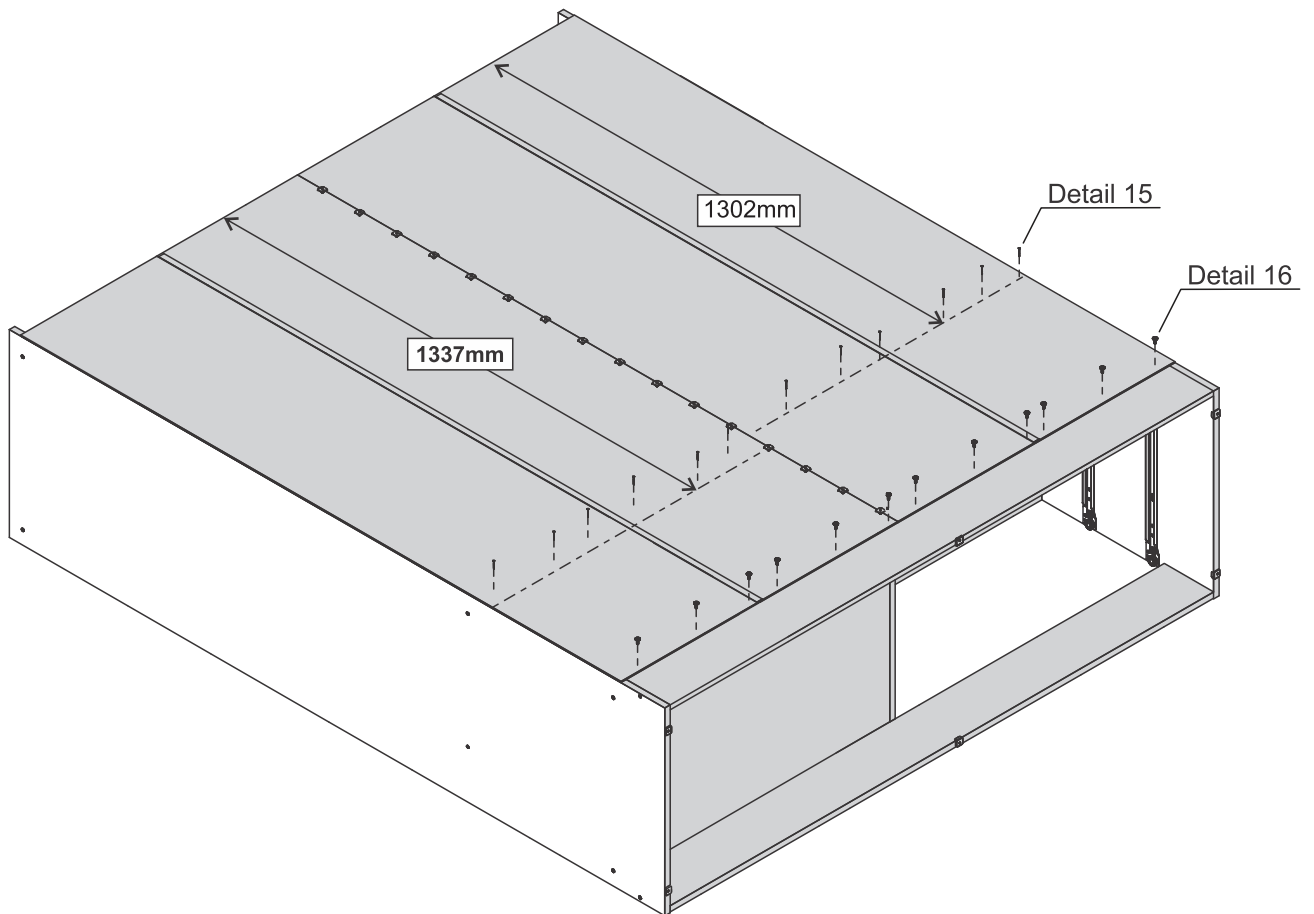
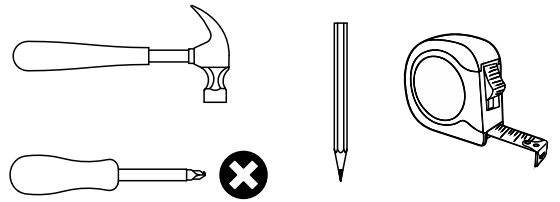
PARTS REQUIRED



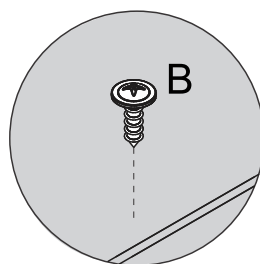
HARDWARE REQUIRED



TOOLS REQUIRED



Detail 15

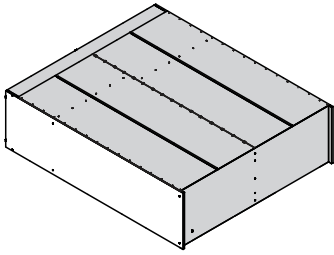


Detail 16

STEP 15

PARTS REQUIRED

10 - FRAME x1

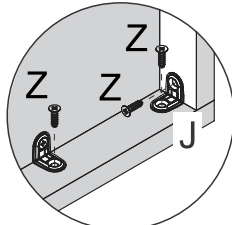
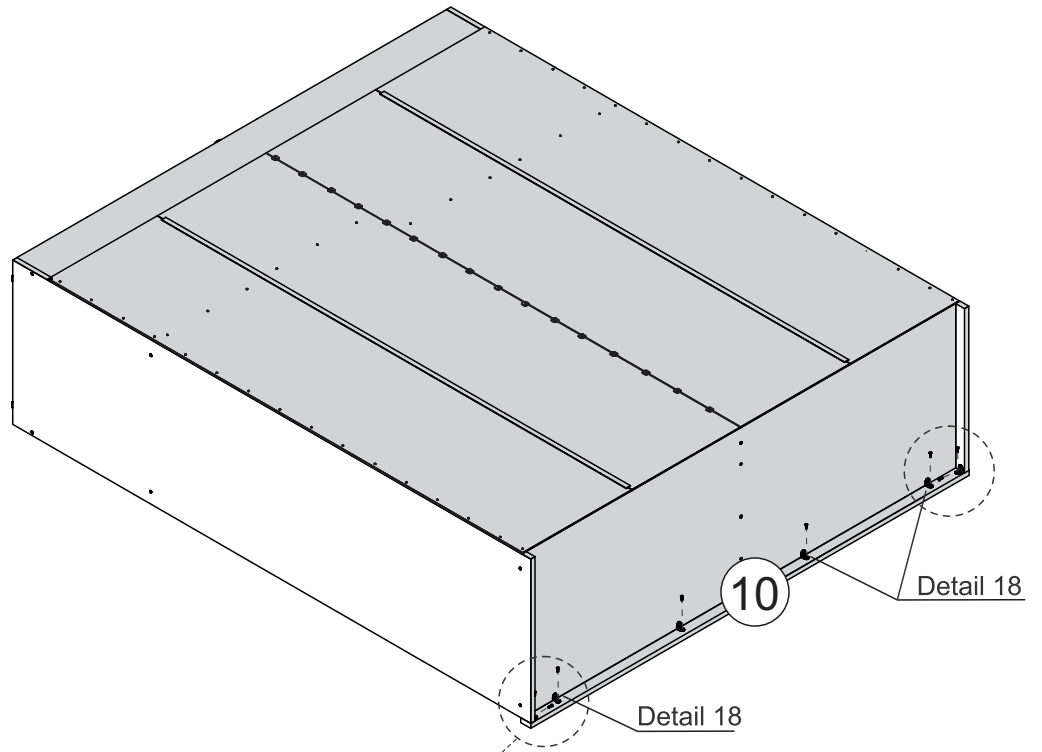
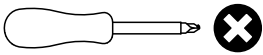


HARDWARE REQUIRED

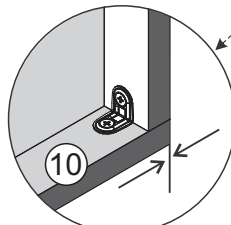
J  02

Z  08
Ø4.0 x 12mm

TOOLS REQUIRED



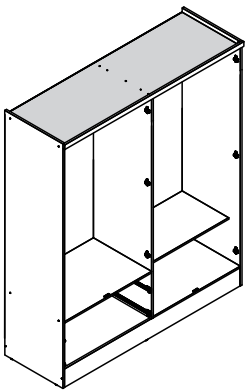
Detail 18



Align corners

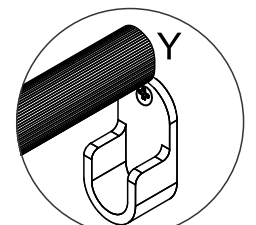
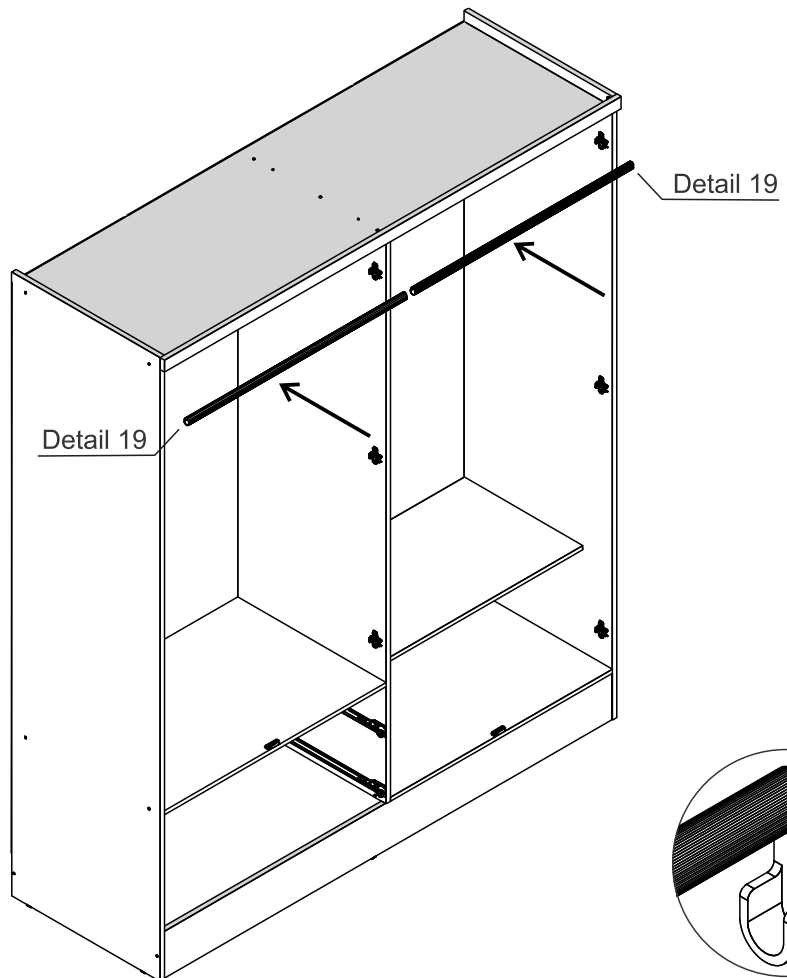
STEP 16

PARTS REQUIRED



HARDWARE REQUIRED

Y  02



Detail 19

STEP 17

PARTS REQUIRED

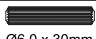
15 - DRAWER SIDE x4

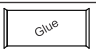
16 - DRAWER BACK PANEL x2

17 - DRAWER FRONT x2

19 - DRAWER BOTTOM SUPPORT BAR x2

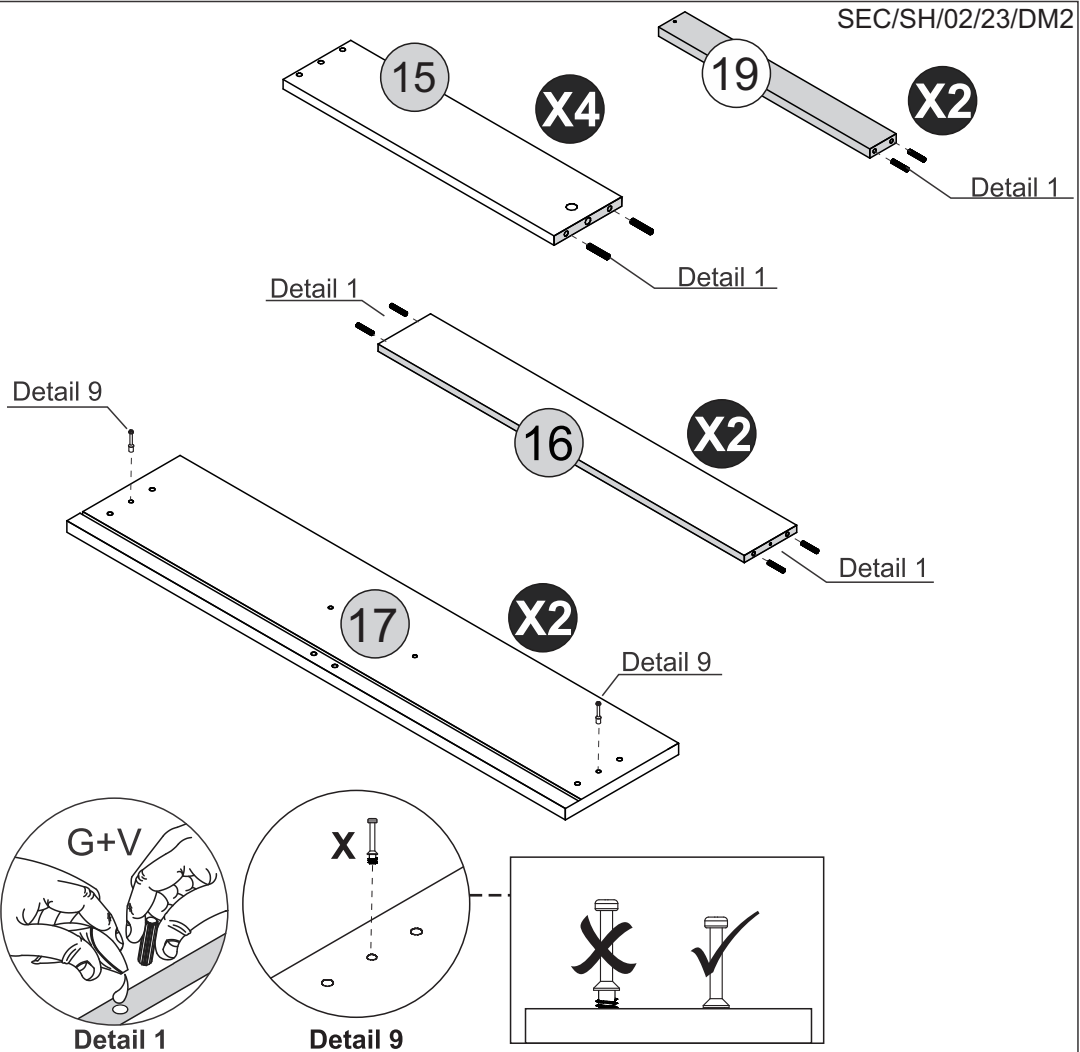
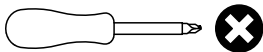
HARDWARE REQUIRED

G  20
Ø6,0 x 30mm

V  01

X  04

TOOLS REQUIRED



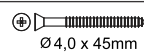
STEP 18

PARTS REQUIRED

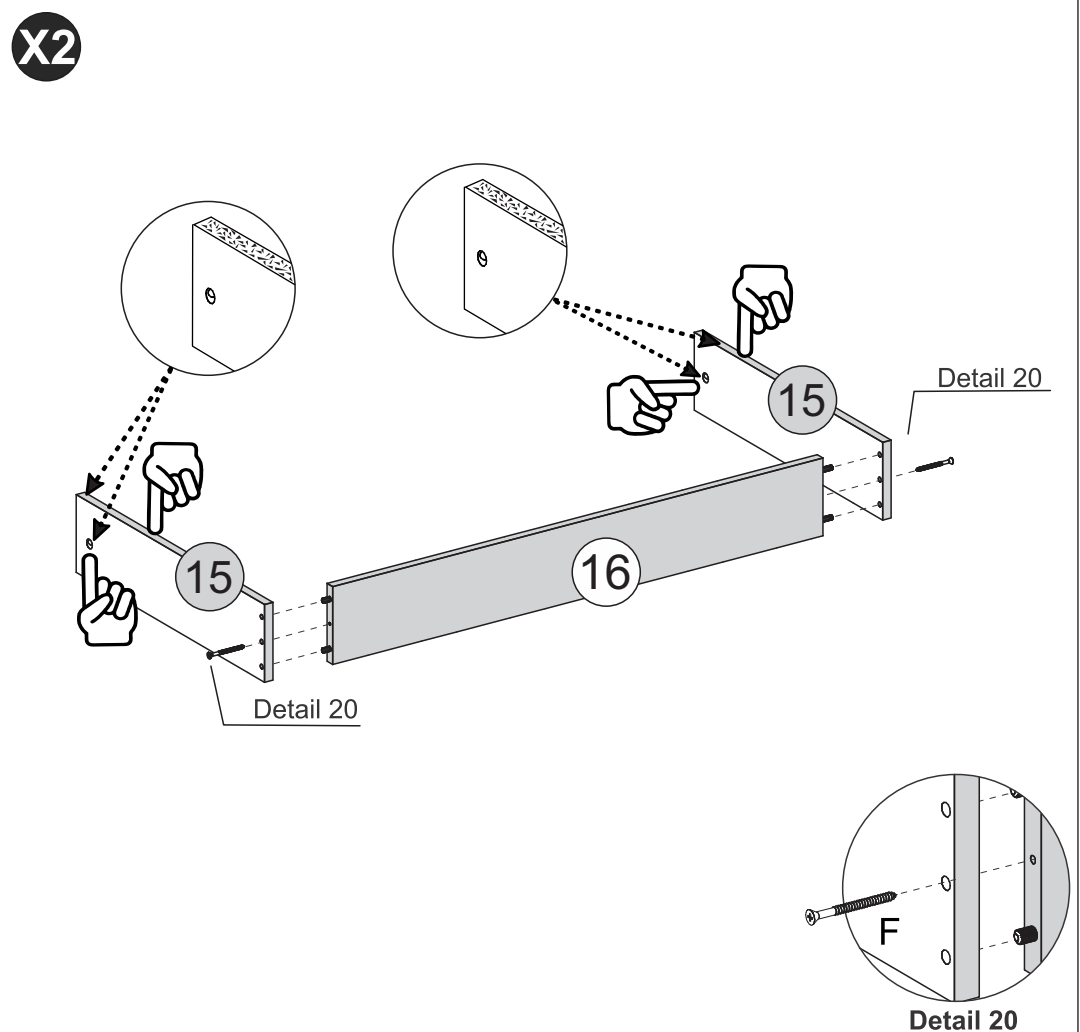
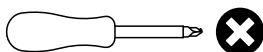
15 - DRAWER SIDE x4

16 - DRAWER BACK PANEL x2

HARDWARE REQUIRED

F  04
Ø4,0 x 45mm

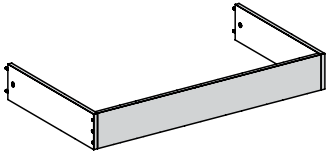
TOOLS REQUIRED




STEP 19

PARTS REQUIRED

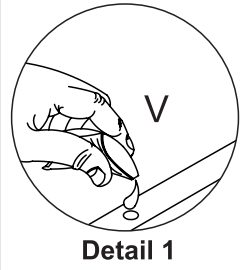
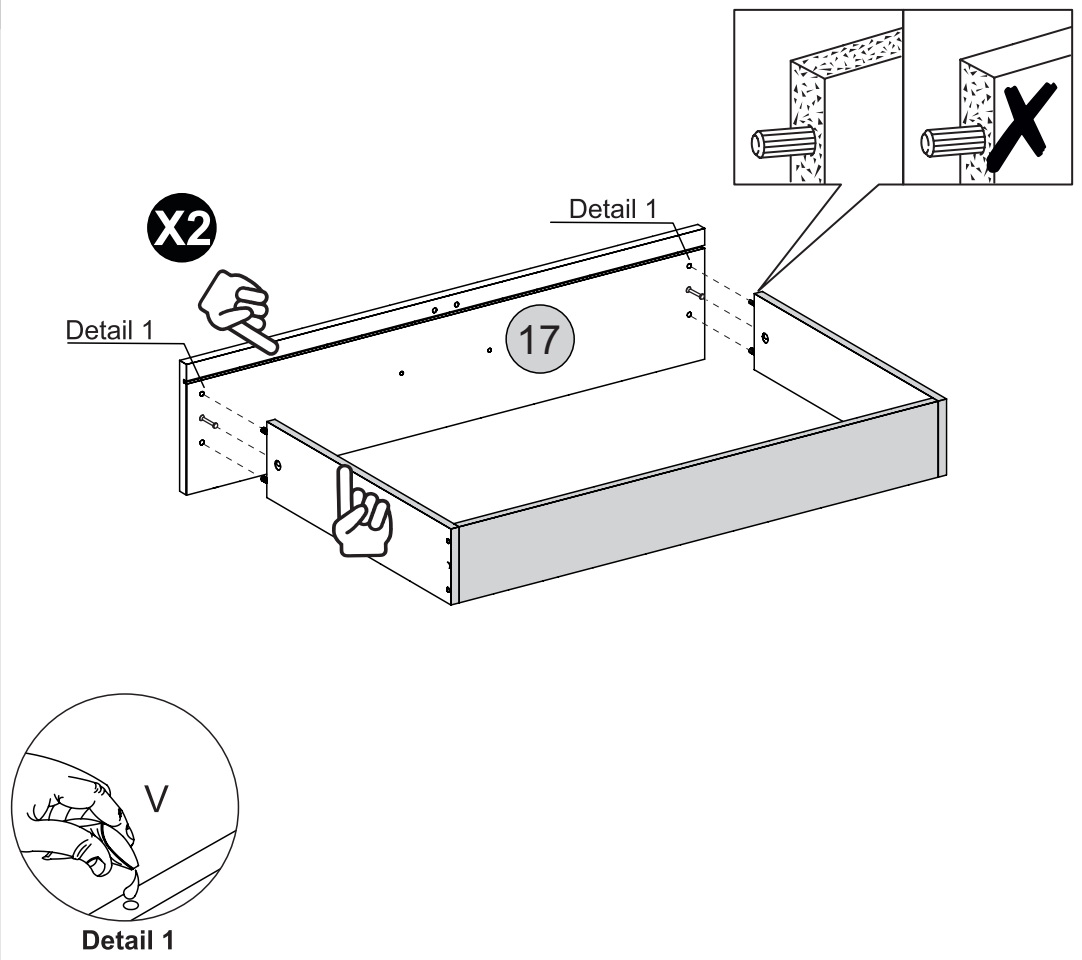
17 - DRAWER FRONT x2



HARDWARE REQUIRED

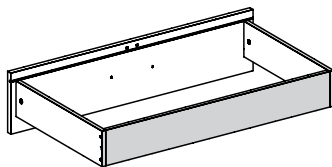
V  01

TOOLS REQUIRED




STEP 20

PARTS REQUIRED

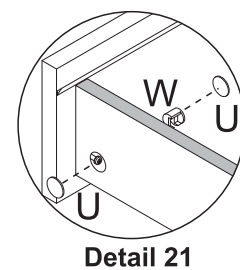
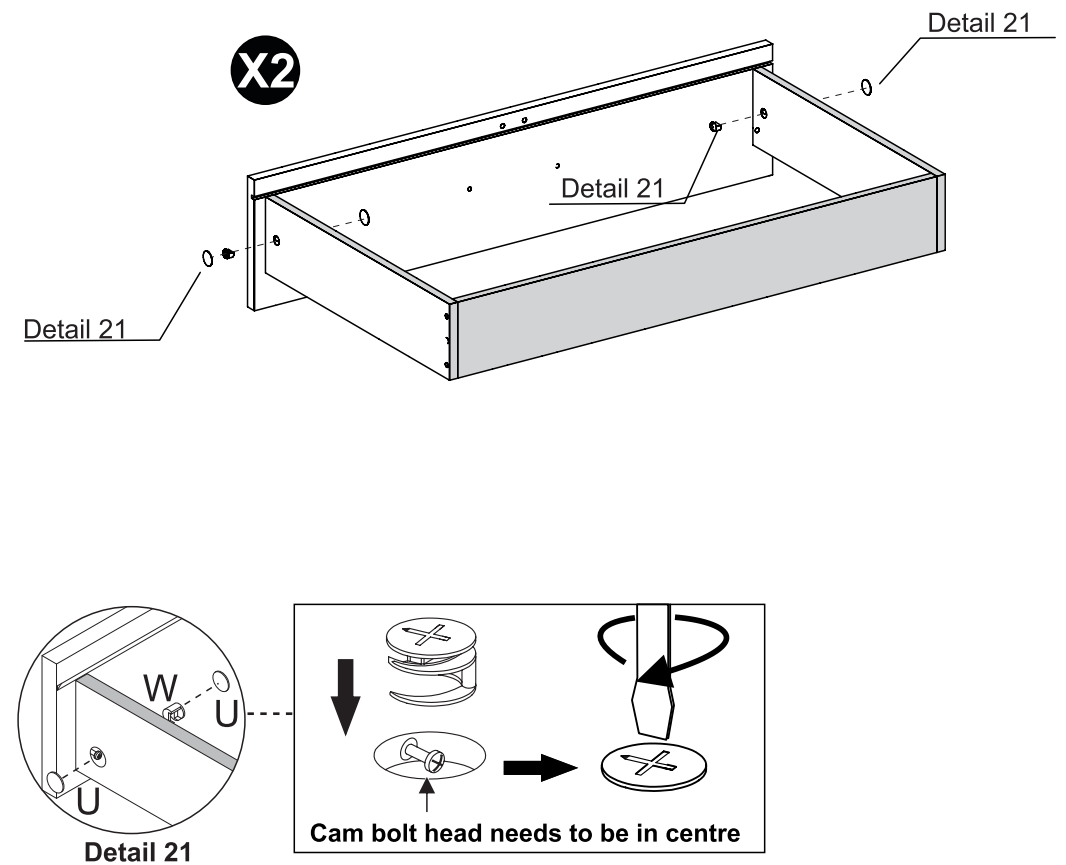
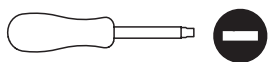


HARDWARE REQUIRED

U  08

W  04

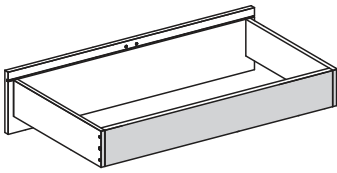
TOOLS REQUIRED



STEP 21

PARTS REQUIRED

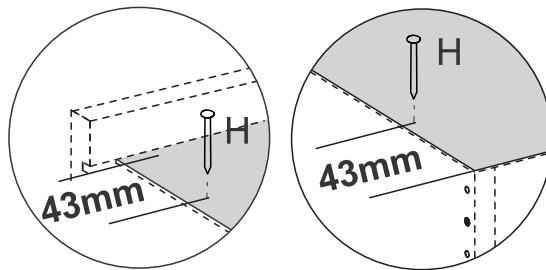
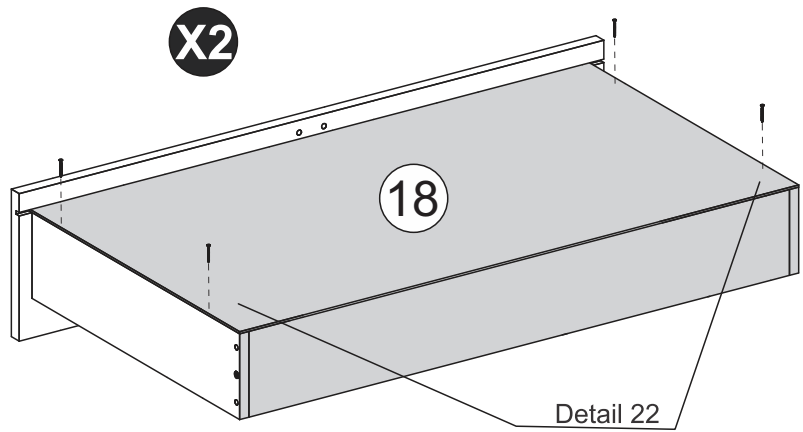
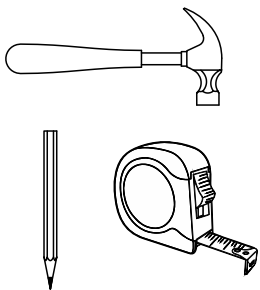
18 - DRAWER BOTTOM x2



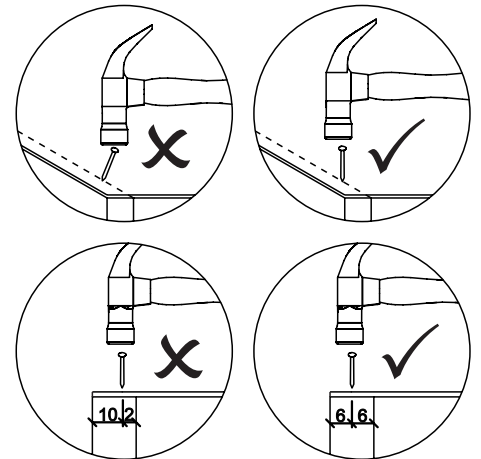
HARDWARE REQUIRED

H 10 x 10 08

TOOLS REQUIRED



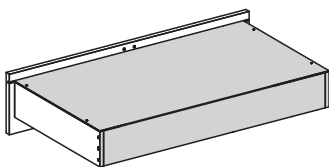
Detail 22



STEP 22

PARTS REQUIRED

19 - DRAWER BOTTOM SUPPORT BAR x2

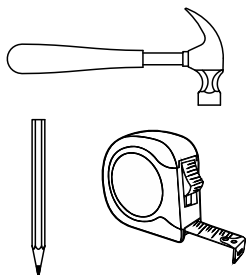


HARDWARE REQUIRED

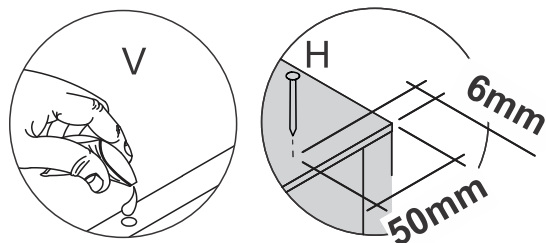
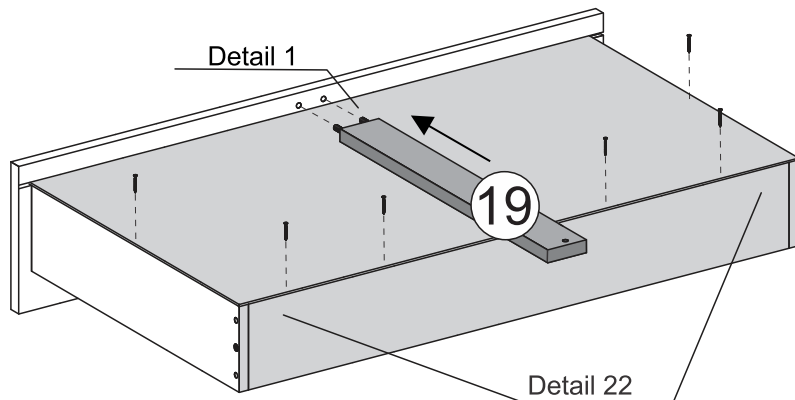
H 10 x 10 12

V Glue 01

TOOLS REQUIRED

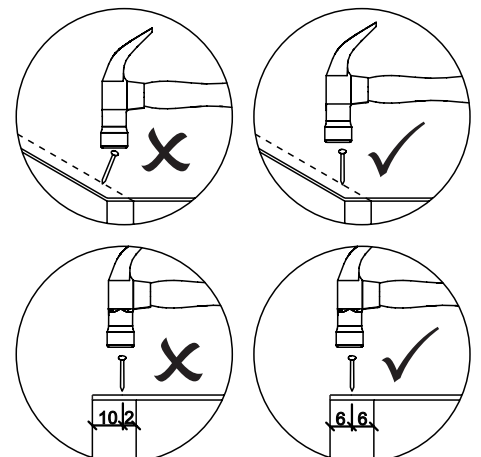


X2



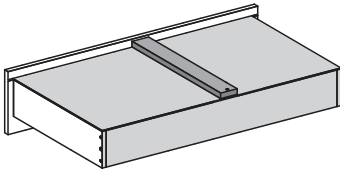
Detail 1

Detail 22

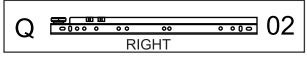
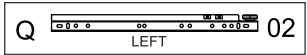
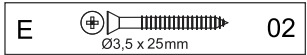
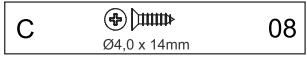


STEP 23

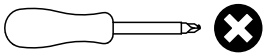
PARTS REQUIRED



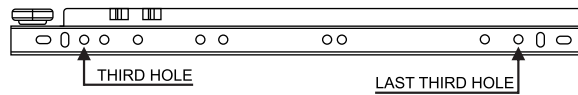
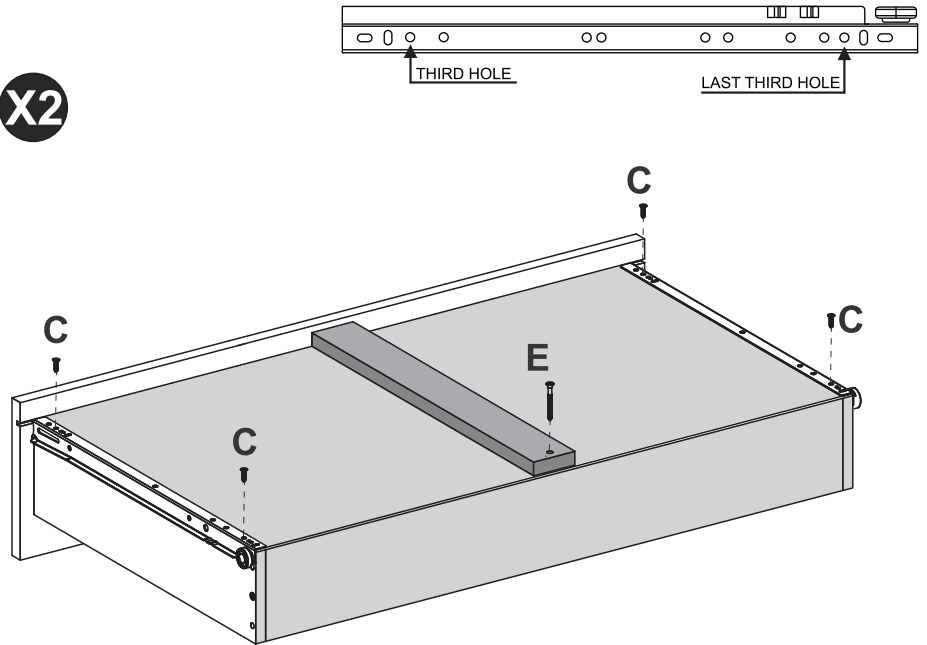
HARDWARE REQUIRED



TOOLS REQUIRED



X2

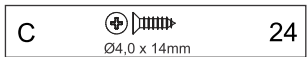


STEP 24

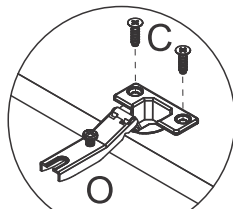
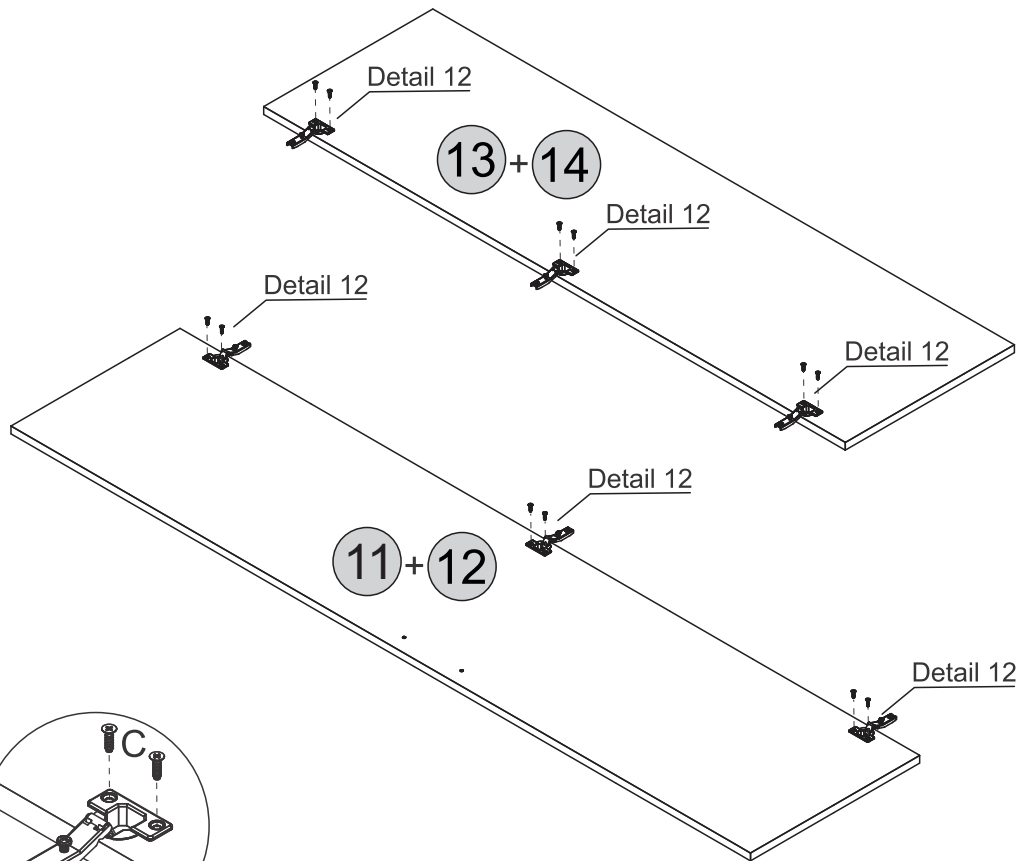
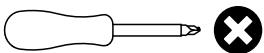
PARTS REQUIRED



HARDWARE REQUIRED



TOOLS REQUIRED

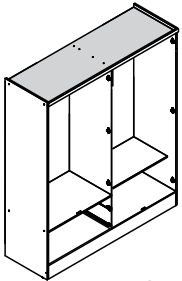


Detail 12

STEP 25

PARTS REQUIRED

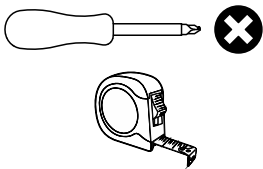
- 11 - RIGHT LARGE DOOR x1
- 12 - LEFT LARGE DOOR x1
- 13 - RIGHT SMALL DOOR x1
- 14 - LEFT SMALL DOOR x1



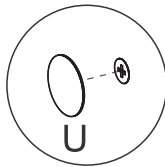
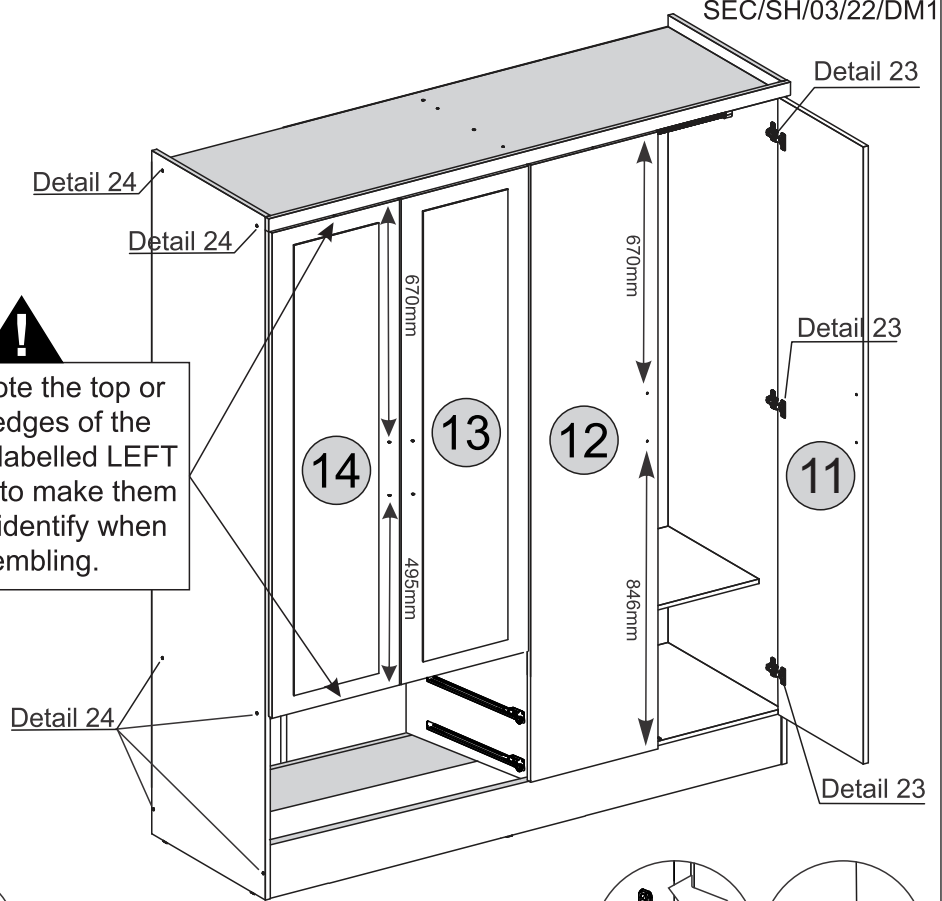
HARDWARE REQUIRED

- U  20

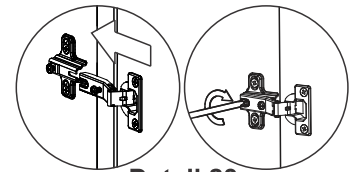
TOOLS REQUIRED



!
Please note the top or bottom edges of the doors are labelled LEFT or RIGHT to make them easier to identify when assembling.



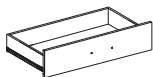
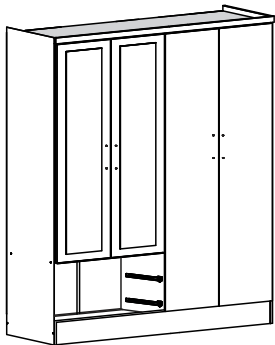
Detail 24





Detail 23

STEP 26

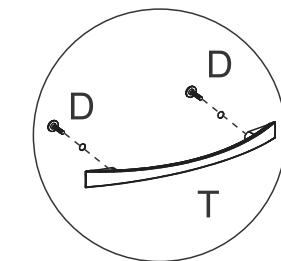
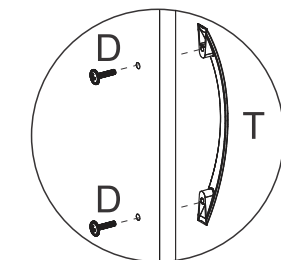
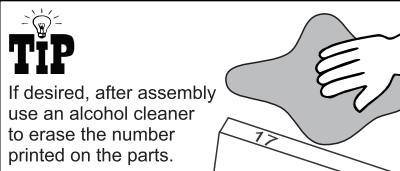
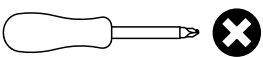
PARTS REQUIRED



HARDWARE REQUIRED

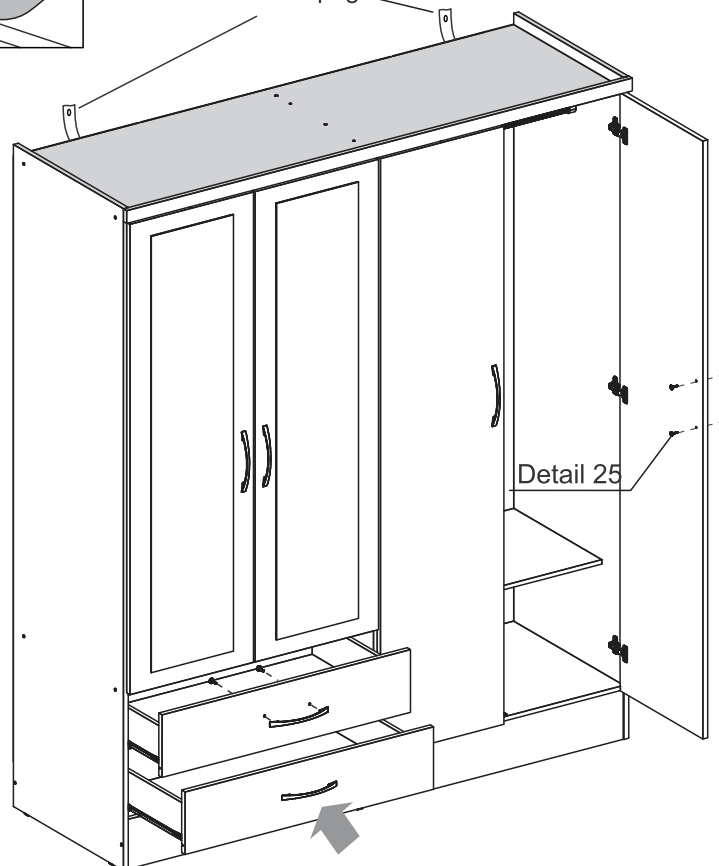
- D  12
Ø4,0 x 20mm
- T  06

TOOLS REQUIRED



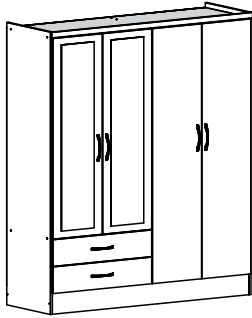
Detail 25

!
See the last page

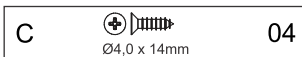


STEP 27

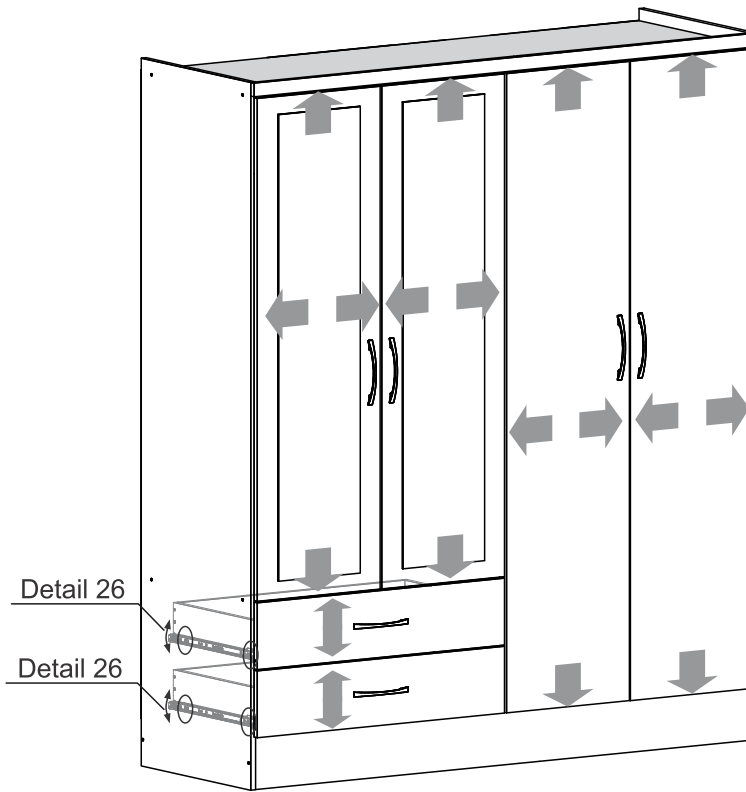
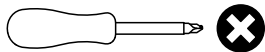
PARTS REQUIRED



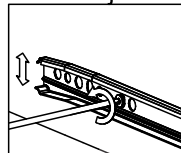
HARDWARE REQUIRED



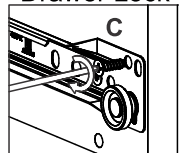
TOOLS REQUIRED



Drawer Adjustment

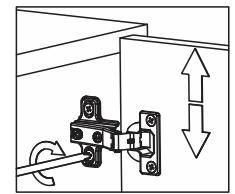


Drawer Lock

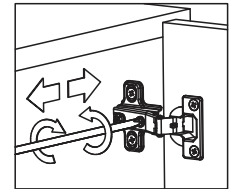


Detail 26

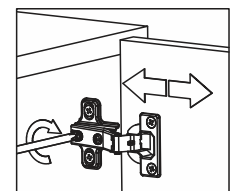
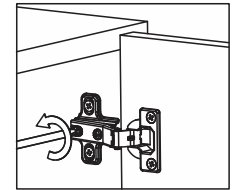
Height Adjustment



Internal Adjustment



Depth Adjustment

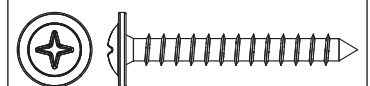
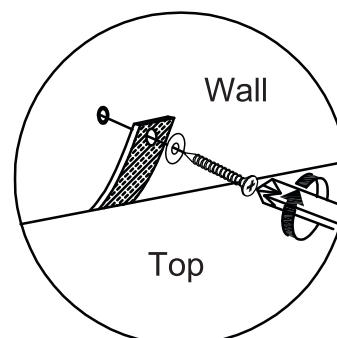
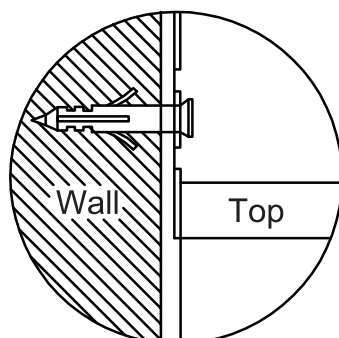
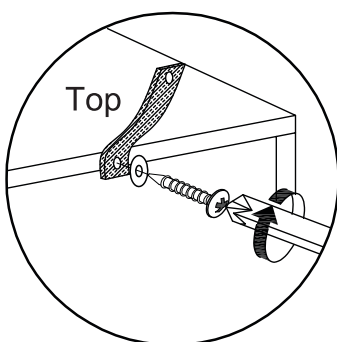


WARNING

Serious or fatal injuries can occur from furniture tipping over. To prevent the furniture from tipping over we recommend that it is permanently fixed to the wall.

Wall fixings are not supplied with this product as different wall materials require different types of fixing devices.

Please make sure you use fixings suitable for the walls in your home.



N Flan Head Screw
Ø3,5 x 30mm (2x)

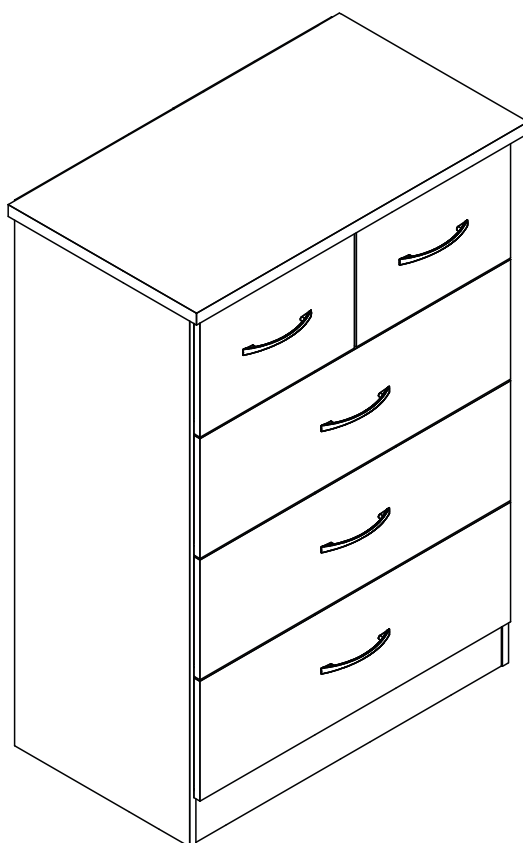


K Washer (4x)



S Strap (2x)

NEVADA 3+2 DRAWER CHEST ASSEMBLY INSTRUCTIONS



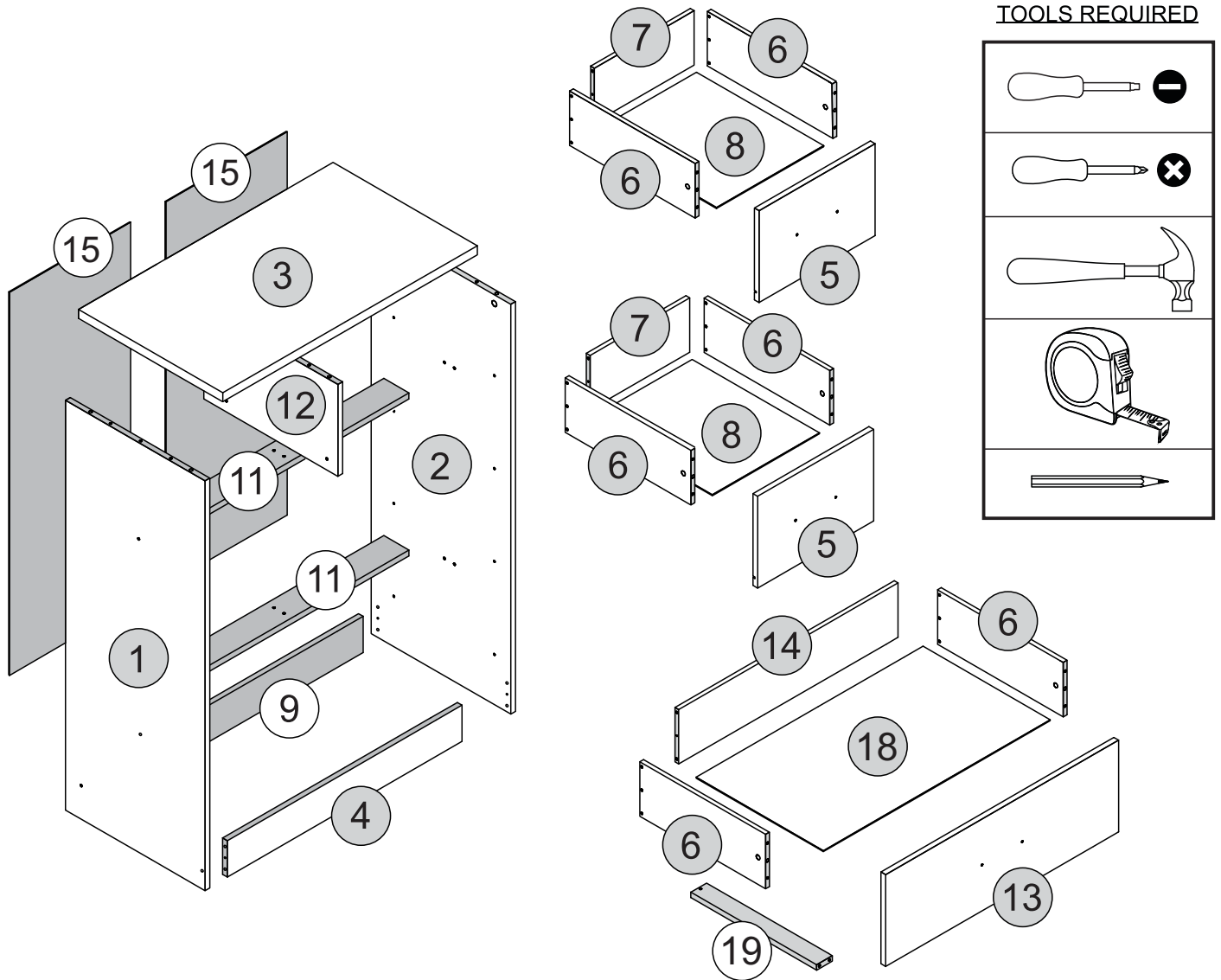
IMPORTANT FOR DOMESTIC USE ONLY

PLEASE READ BEFORE YOU CONTINUE FURTHER

CARE AND MAINTENANCE

After unpacking this product please keep the original packaging in case it needs to be returned for any reason.

- Please ensure all fittings and parts are present before commencing with assembly.
- Never drag or push products as this could cause damage to the joints making it inferior.
- We strongly recommend that you keep children away from your work area.
- We recommend that you lay a blanket or sheet on the floor to avoid damage to both your floor and the product.
- Assemble this product as close to its final position as possible.
- Do not place this product next to a radiator or in direct sunlight.
- Do not drag or push items across your high gloss furniture as this may cause the surface to scratch
- Wood is a natural product and may expand if subjected to damp and may shrink or crack if subjected to heat. Therefore it is recommended that room temperature is maintained, with no sudden temperature fluctuations.
- Make sure any spillage is wiped off immediately.
- Do not place hot or chilled items directly on to the surface, use a place mat or marking will occur.
- For general cleaning use a soft cotton or micro fibre cloth, and do not use detergents of any kind.
- From time to time it may be necessary to tighten fittings, regular inspections should be carried out.
- Do not place on a wet or damp floor as staining may occur to your floor.

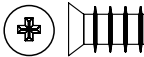
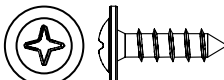
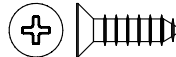
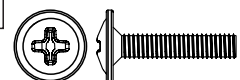



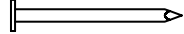





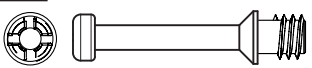


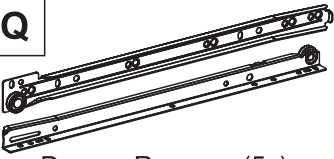


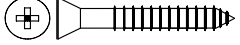


PARTS LIST

Please Note:
The below parts have all been stamped with the part number to help identify them during assembly.

Part Number	Part Description	Quantity	Carton
1	Left Side Panel	1	1/2
2	Right Side Panel	1	1/2
3	Top Panel	1	2/2
4	Front Baseboard	1	1/2
5	Small Drawer Front	2	2/2
6	Drawer Side	10	1/2
7	Small Drawer Back Panel	2	1/2
8	Small Drawer Bottom	2	1/2
9	Back Baseboard	1	1/2
11	Crossbar	2	2/2
12	Division Panel	1	1/2
13	Large Drawer Front	3	2/2
14	Large Drawer Back Panel	3	1/2
15	Back Panel	2	1/2
18	Large Drawer Bottom	3	2/2
19	Drawer Bottom Support Bar	3	1/2


FITTINGS LIST

<p>A</p>  <p>Flat Head Screw Ø6,0 x 8mm (20x) 2/+</p>	<p>B</p>  <p>Flan Head Screw Ø3,5 x 12mm (6x) 1/+</p>	<p>C</p>  <p>Flat Head Screw Ø4,0 x 14mm (30x) 2/+</p>	<p>D</p>  <p>Flan Head Screw Ø4,0 x 20mm (10x) 2/+</p>
<p>E</p>  <p>Flat Head Screw Ø4,0 x 45mm (19x) 2/+</p>	<p>F</p>  <p>Handle (5x)</p>	<p>G</p>  <p>2/+ Dowel Ø6,0 x 30mm (65x)</p>	<p>H</p>  <p>3/+ Nail 10 x 10 (87x)</p>
<p>I</p>  <p>1/+ Back Panel Bracket (2x)</p>	<p>J</p>  <p>2/+ Cam Nut Ø12mm (16x)</p>	<p>K</p>  <p>1/+ Washer (4x)</p>	<p>L</p>  <p>1/+ Plastic Foot (6x)</p>
<p>M</p>  <p>Flan Head Screw Ø3,5 x 30mm (2x) 1/+</p>	<p>N</p>  <p>2/+ Cam Bolt (16x)</p>	<p>O</p>  <p>2/+ Hole Plugs (28x)</p>	<p>P</p>  <p>Glue (3x)</p>
<p>Q</p>  <p>Drawer Runners (5x)</p>	<p>R</p>  <p>Back Panel Strip (1x)</p>	<p>S</p>  <p>Strap (2x)</p>	<p>T</p>  <p>Flat Head Screw Ø3,5 x 25mm (3x) 1/+</p>

TIPS FOR FITTINGS CAM-LOCKS

WHEN FITTING CAM NUT. ENSURE STARTING POSITION IS CORRECT BEFORE YOU INSERT CONNECTING CAM BOLT TURN CLOCKWISE UNTIL SECURE


✓



↑

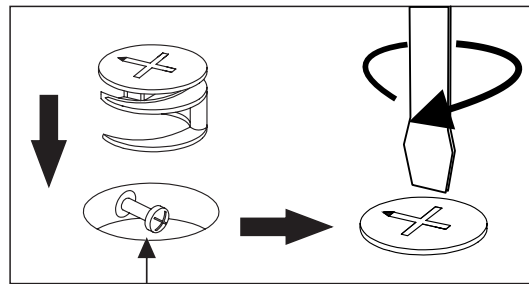
CORRECT

✗



↑

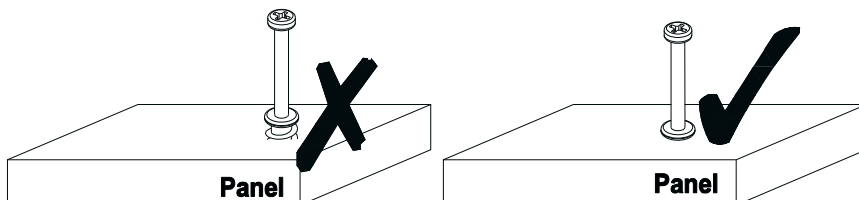
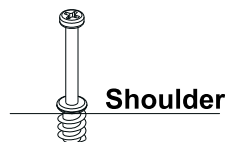
WRONG



Cam bolt head needs to be in centre

CAMBOLT

Tighten until shoulder in flush with panel. Do not overtighten or undertighten (see example beside)

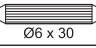


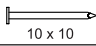
STEP 1

PARTS REQUIRED

1 - LEFT SIDE PANEL x1

HARDWARE REQUIRED

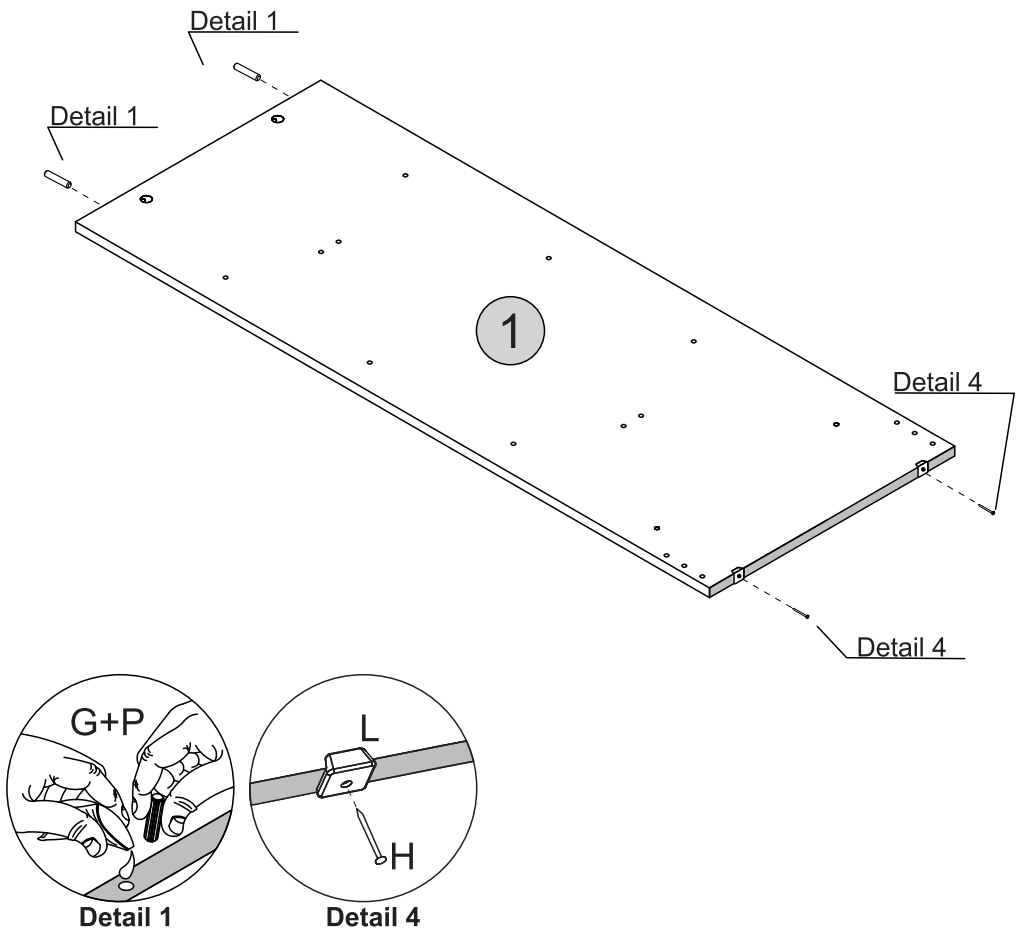
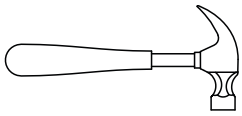
G  02
Ø6 x 30

H  02
10 x 10

L  02

P  01
GLUE

TOOLS REQUIRED

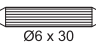


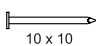
STEP 2

PARTS REQUIRED

2 - RIGHT SIDE PANEL x1

HARDWARE REQUIRED

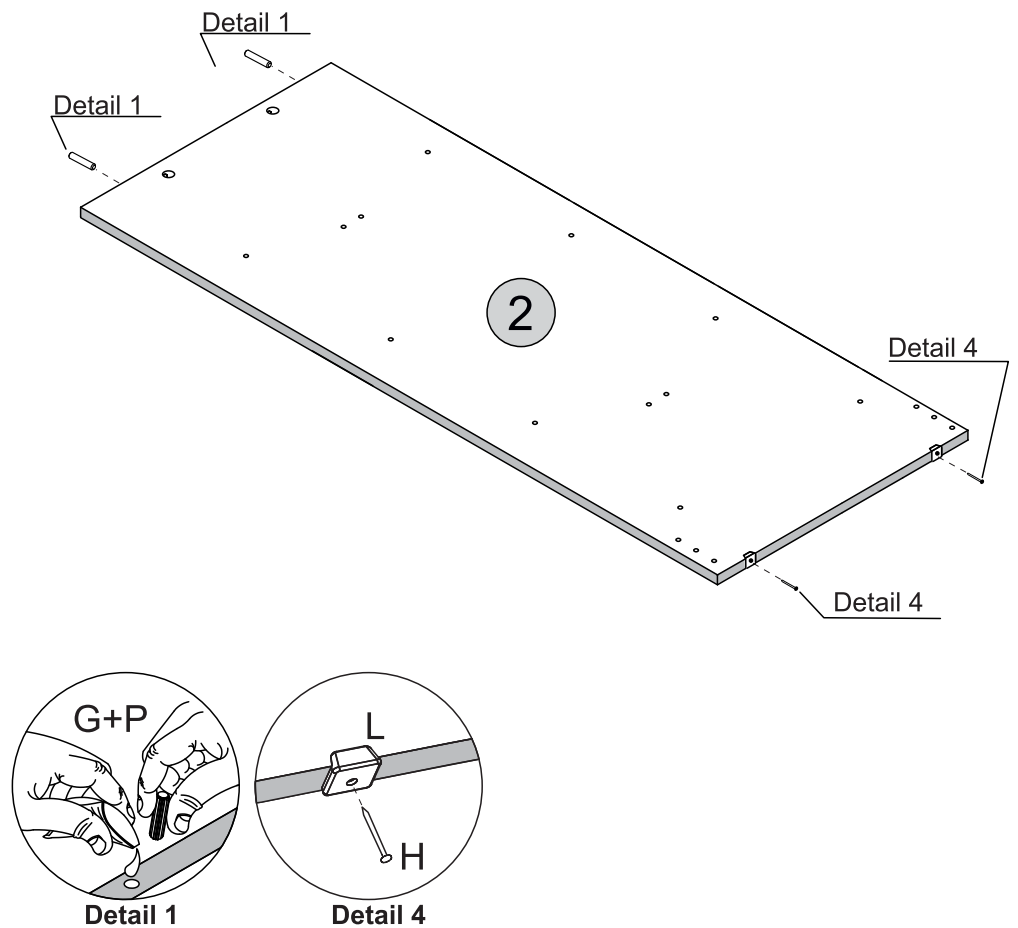
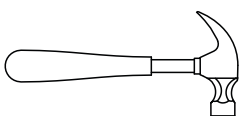
G  02
Ø6 x 30

H  02
10 x 10

L  02

P  01
GLUE

TOOLS REQUIRED



STEP 3

PARTS REQUIRED

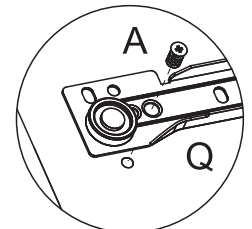
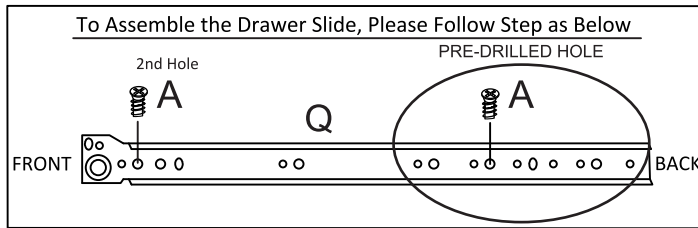
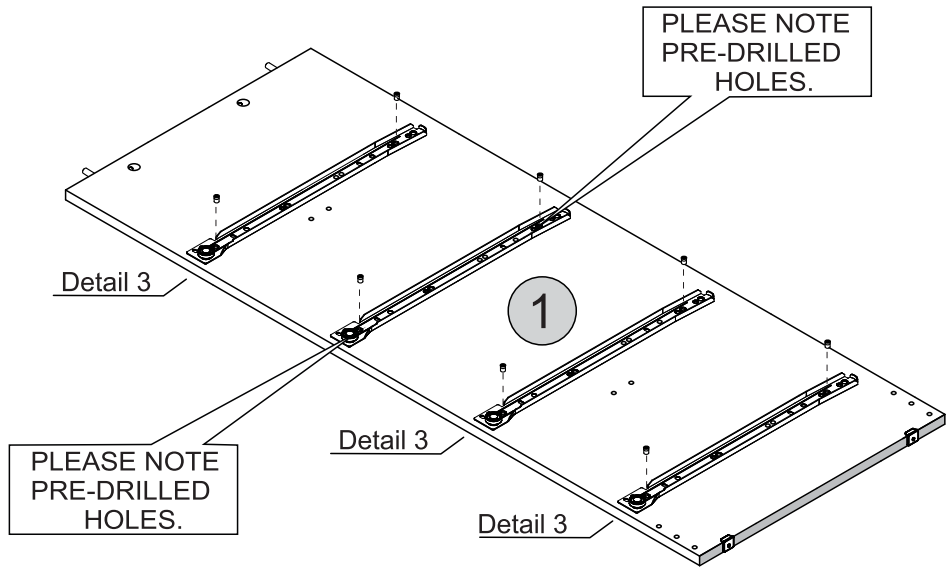
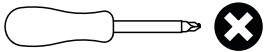
1 - LEFT SIDE PANEL x1

HARDWARE REQUIRED

A  08
Ø6,0 x 8mm

Q  04
LEFT

TOOLS REQUIRED



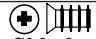
Detail 3

STEP 4

PARTS REQUIRED

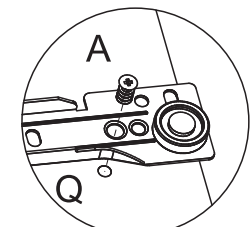
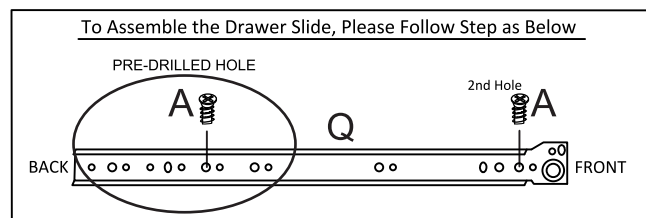
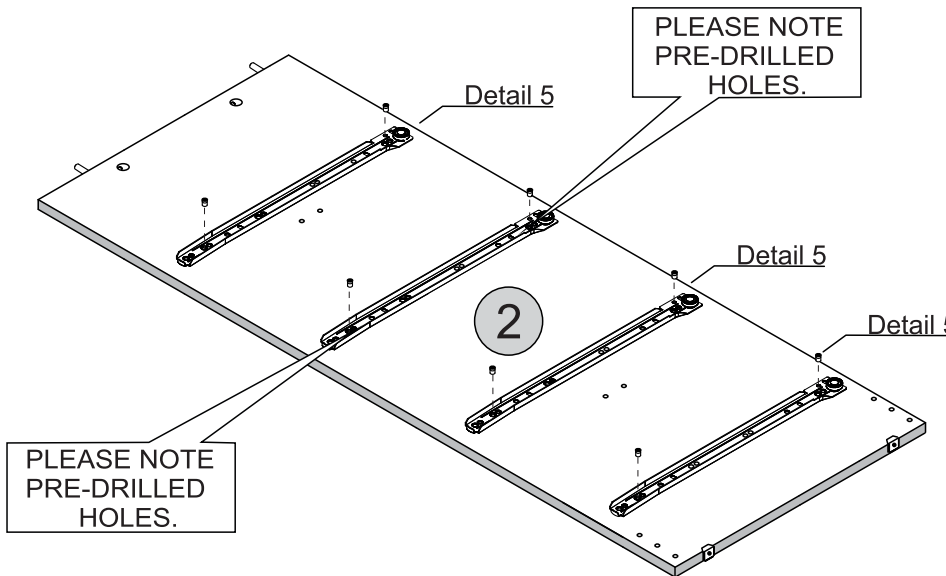
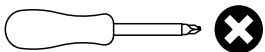
2 - RIGHT SIDE PANEL x1

HARDWARE REQUIRED

A  08
Ø6,0 x 8mm

Q  04
RIGHT

TOOLS REQUIRED



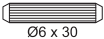
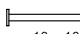

Detail 5

STEP 5

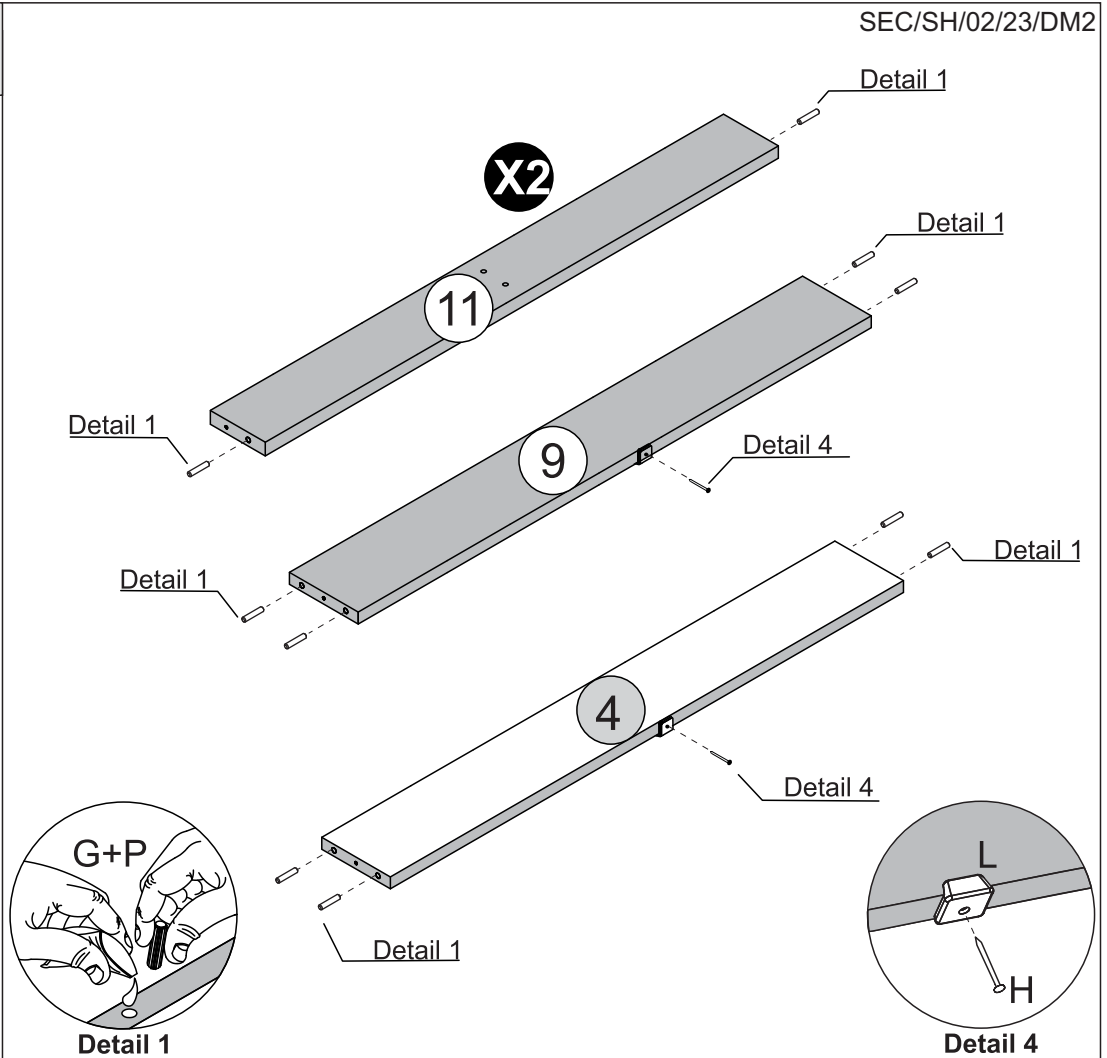
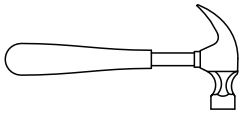
PARTS REQUIRED

4 - FRONT BASEBOARD	x1
9 - BACK BASEBOARD	x1
11 - CROSSBAR	x2

HARDWARE REQUIRED

G		12
H		02
L		02
P	GLUE	01

TOOLS REQUIRED


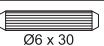


STEP 6

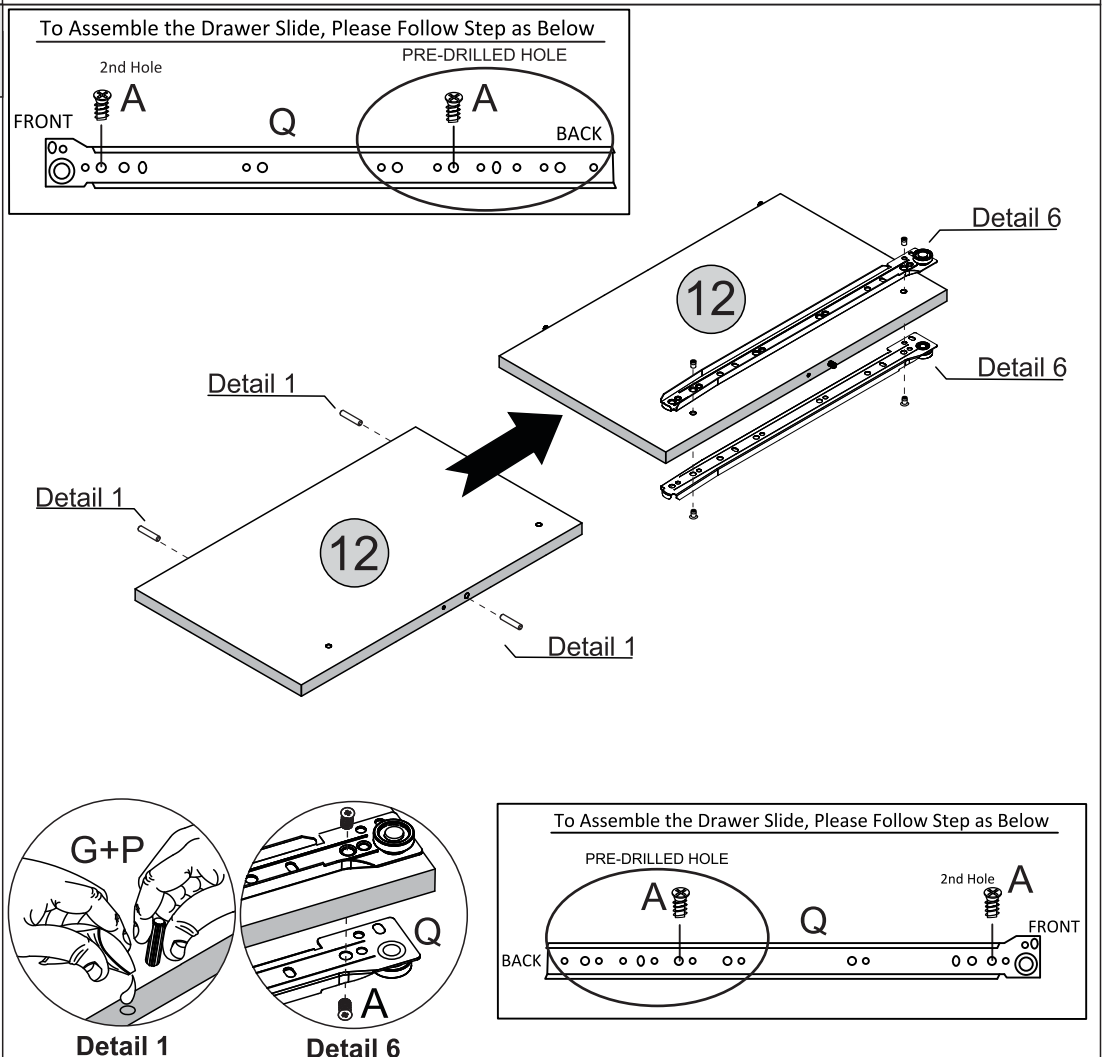
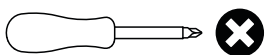
PARTS REQUIRED

12 - DIVISION PANEL	x1
---------------------	----

HARDWARE REQUIRED

A		04
G		03
P	GLUE	01
Q	LEFT	01
Q	RIGHT	01

TOOLS REQUIRED

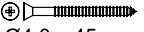



STEP 7

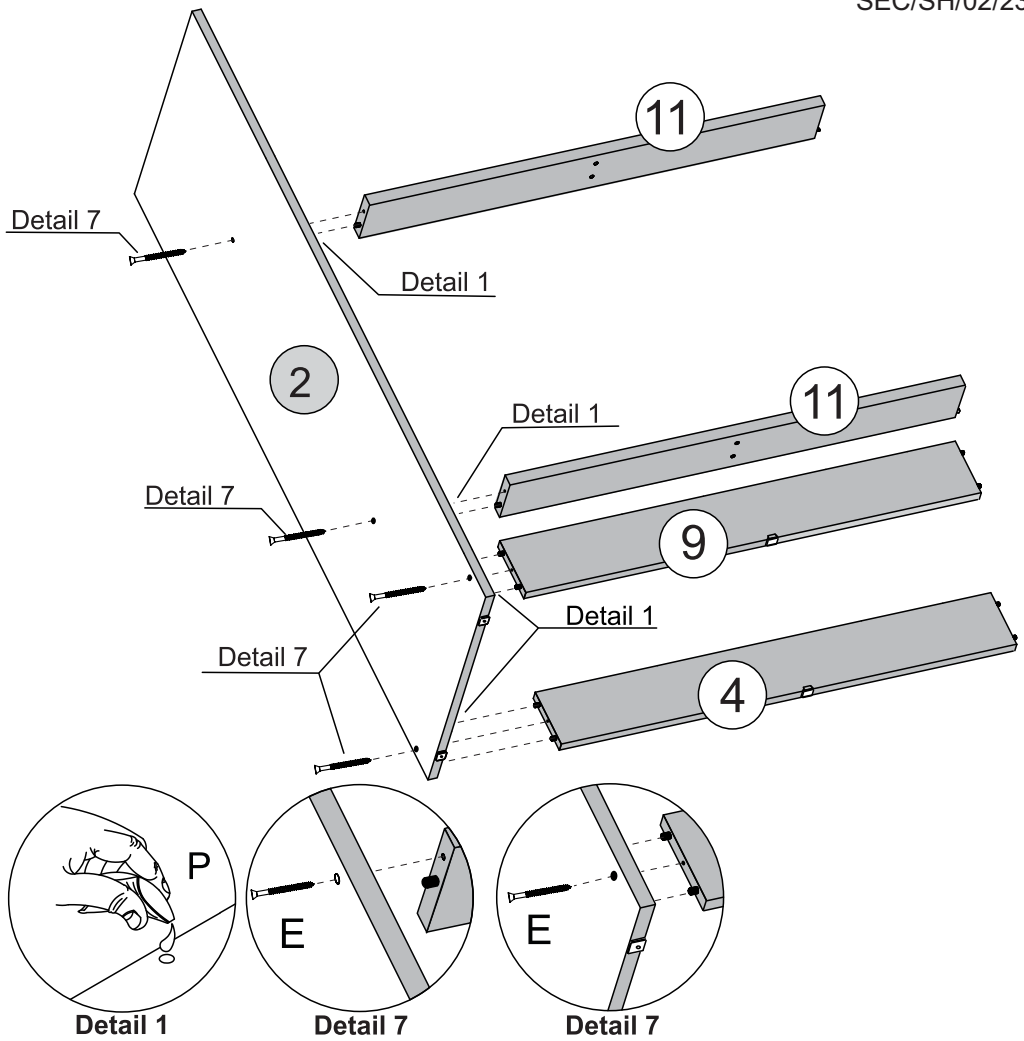
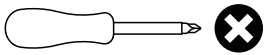
PARTS REQUIRED

2 - RIGHT SIDE PANEL	x1
4 - FRONT BASEBOARD	x1
9 - BACK BASEBOARD	x1
11 - CROSSBAR	x2

HARDWARE REQUIRED

E		04
Ø4,0 x 45mm		
P		01

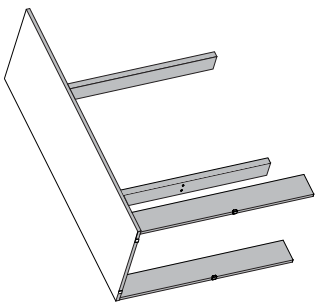
TOOLS REQUIRED



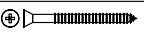

STEP 8

PARTS REQUIRED

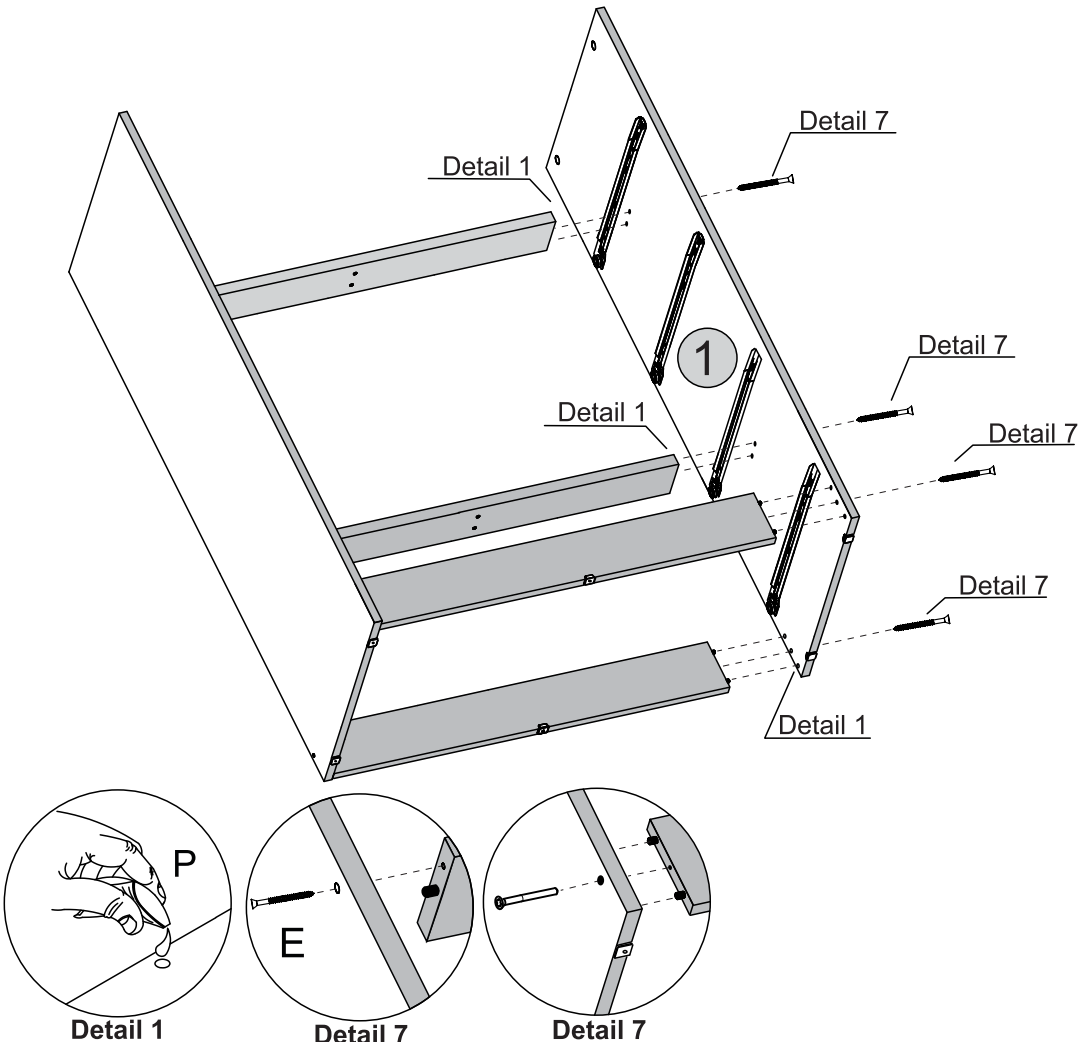
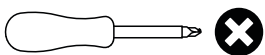
1 - LEFT SIDE PANEL	x1
---------------------	----



HARDWARE REQUIRED

E		04
Ø4,0 x 45mm		
P		01

TOOLS REQUIRED



STEP 9

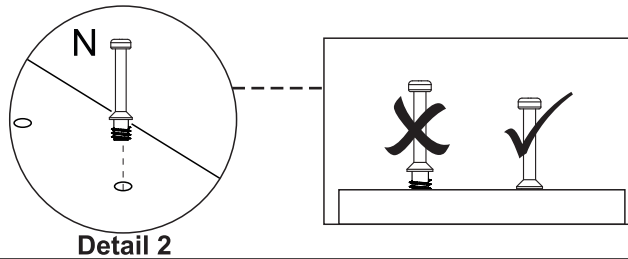
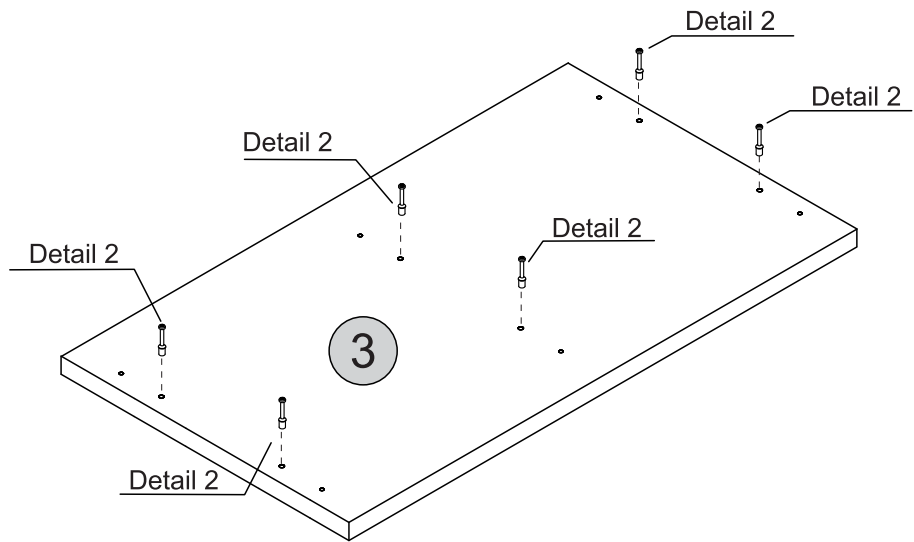
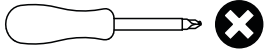
PARTS REQUIRED

3 - TOP PANEL x1

HARDWARE REQUIRED

N  06

TOOLS REQUIRED



STEP 10

PARTS REQUIRED

3 - TOP PANEL x1

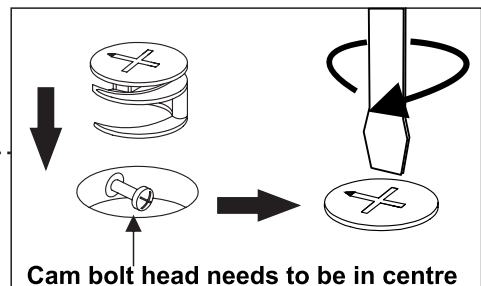
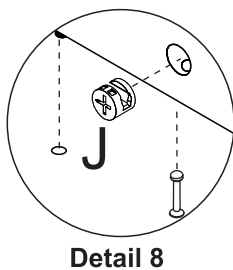
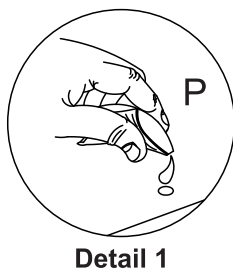
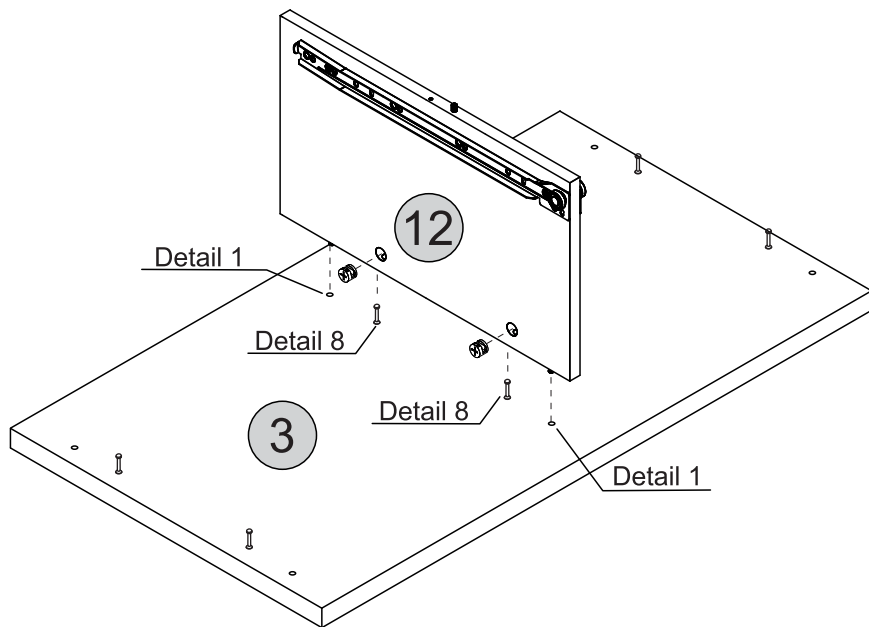
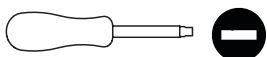
12 - DIVISION PANEL x1

HARDWARE REQUIRED

J  02

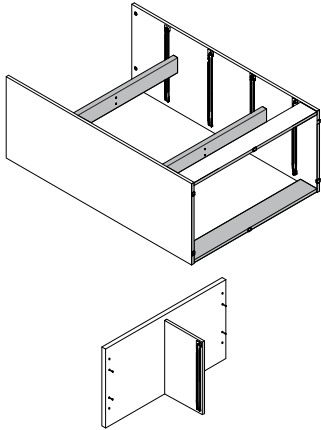
P  01

TOOLS REQUIRED

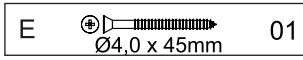


STEP 11

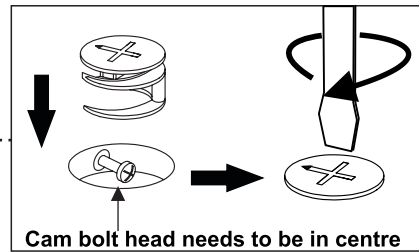
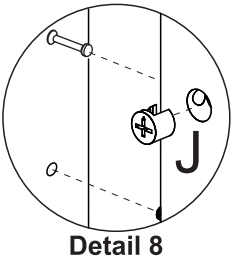
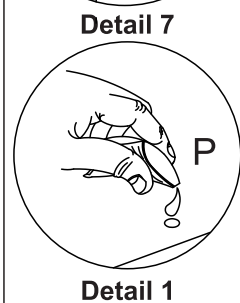
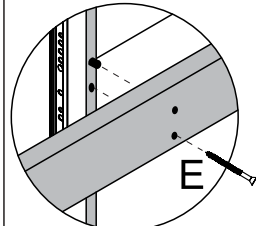
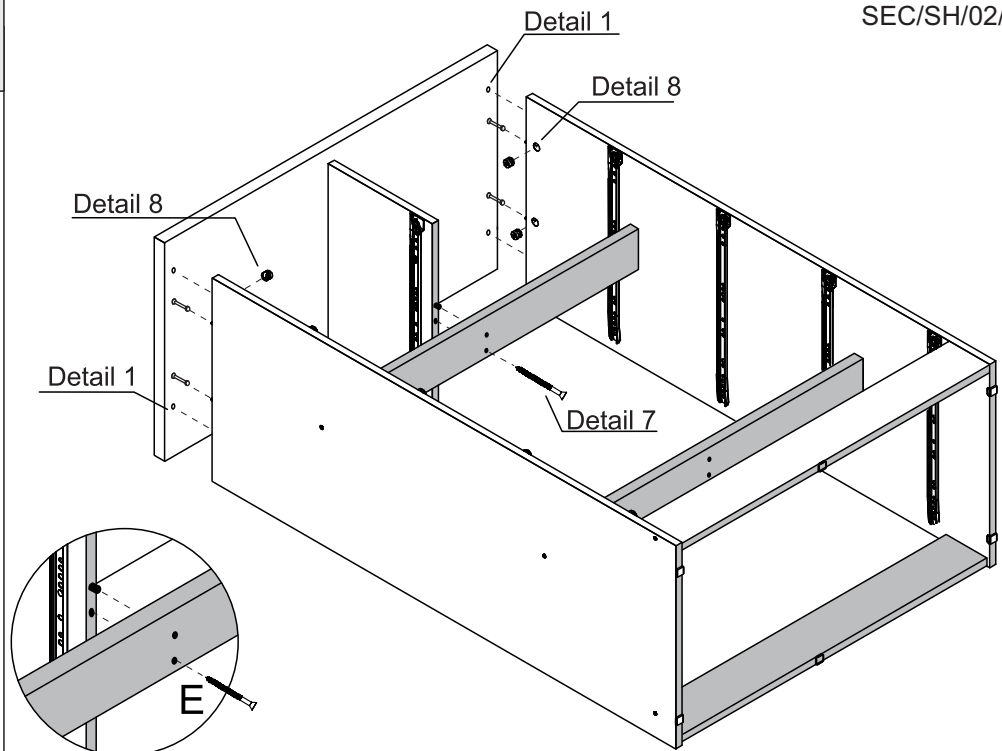
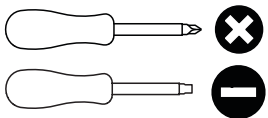
PARTS REQUIRED



HARDWARE REQUIRED



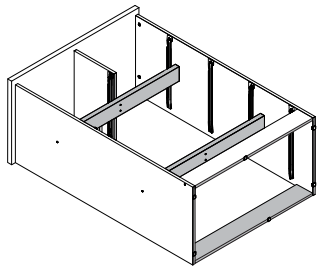
TOOLS REQUIRED



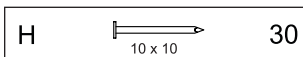
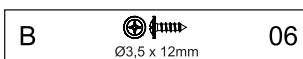
STEP 12

PARTS REQUIRED

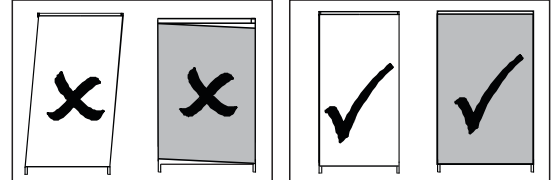
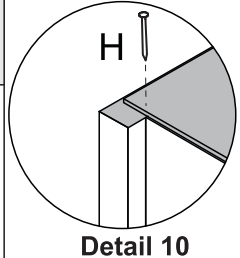
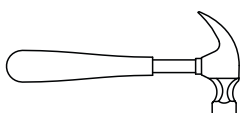
15 - BACK PANEL x2



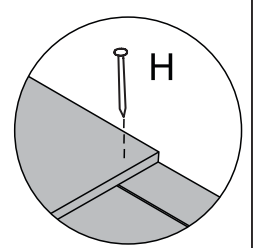
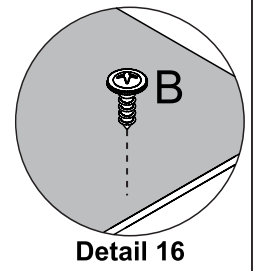
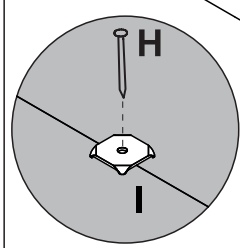
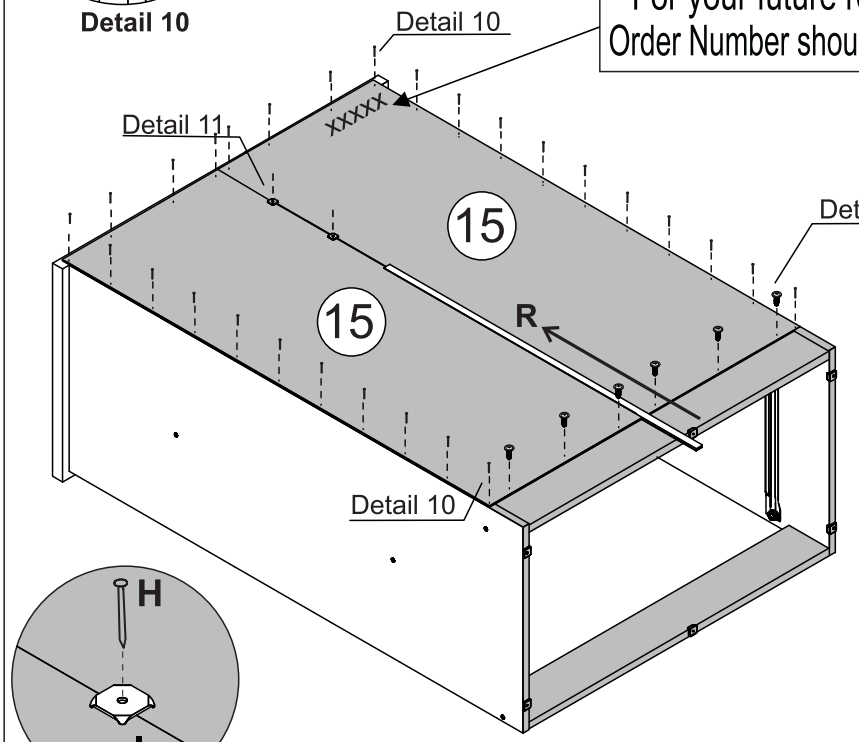
HARDWARE REQUIRED



TOOLS REQUIRED



* For your future reference
Order Number should be here



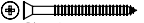
STEP 15

PARTS REQUIRED

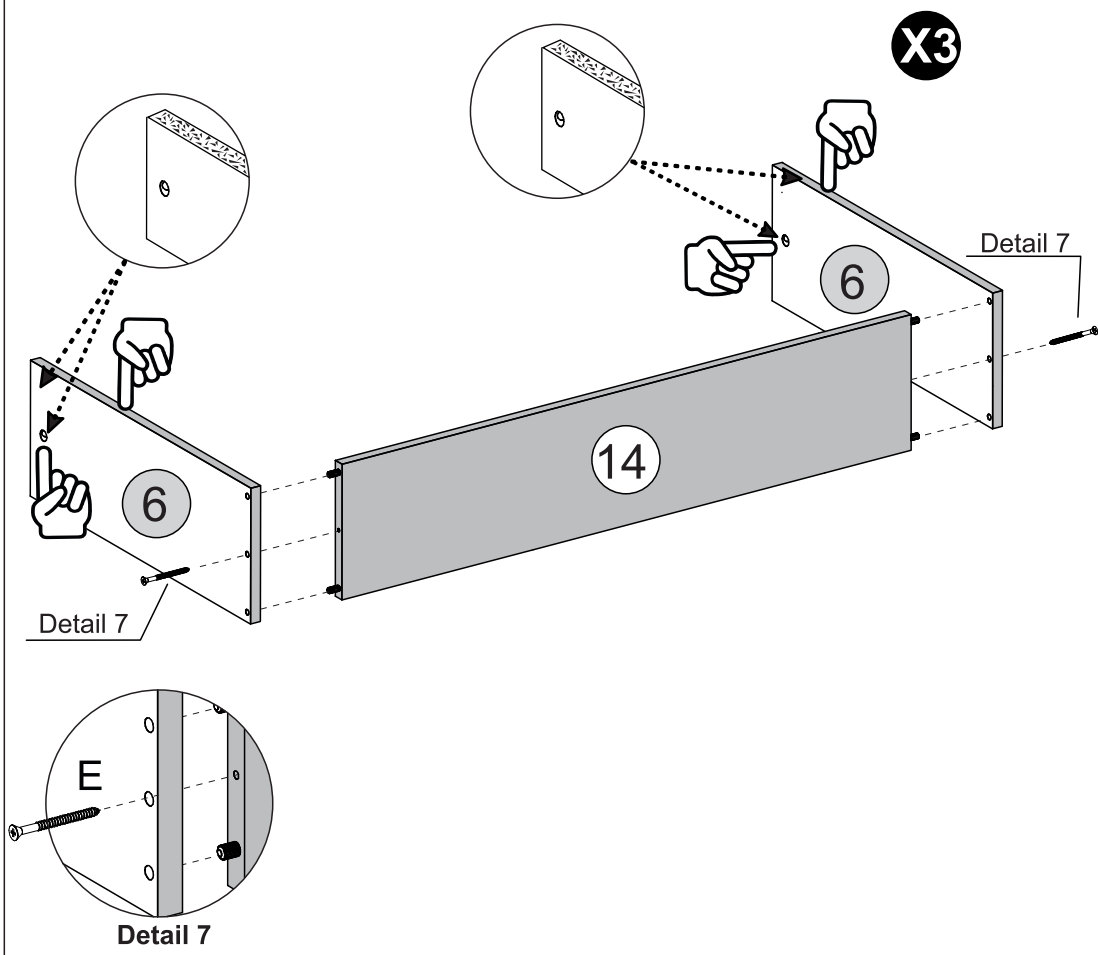
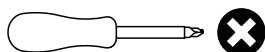
6 - DRAWER SIDE x6

14 - LARGE DRAWER BACK PANEL x3

HARDWARE REQUIRED

E  06
Ø4,0 x 45mm

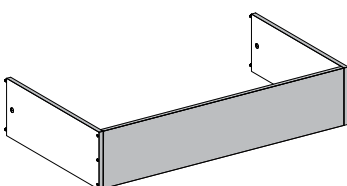
TOOLS REQUIRED



STEP 16

PARTS REQUIRED

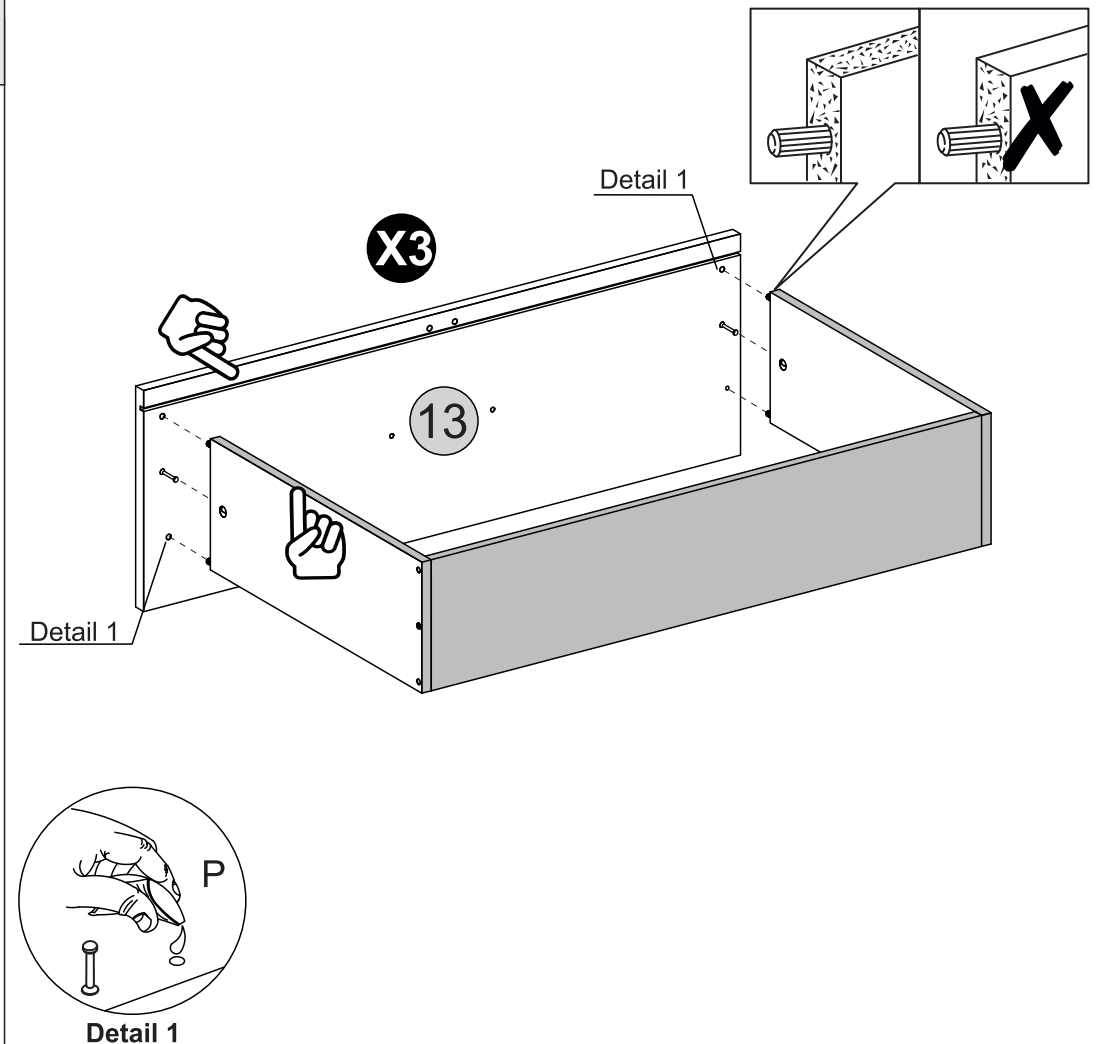
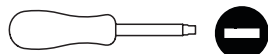
13 - LARGE DRAWER FRONT x3



HARDWARE REQUIRED

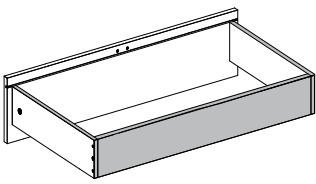
P  01

TOOLS REQUIRED



STEP 17

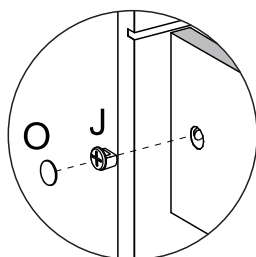
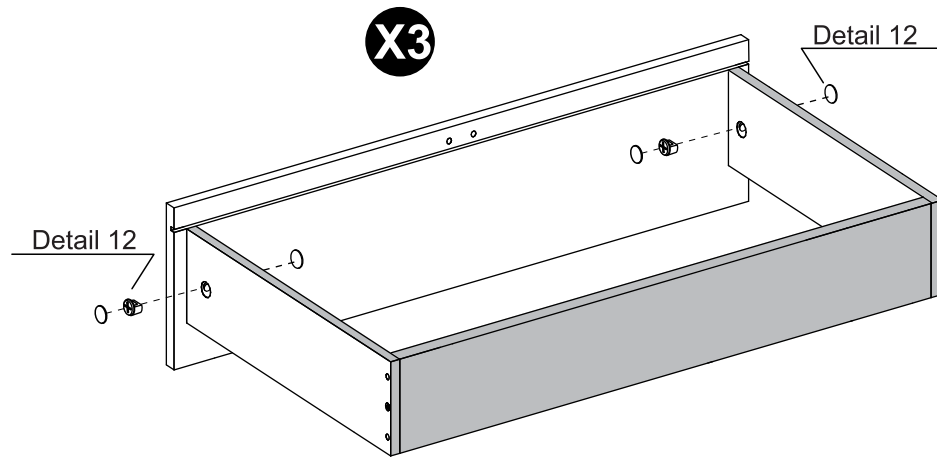
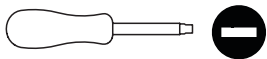
PARTS REQUIRED



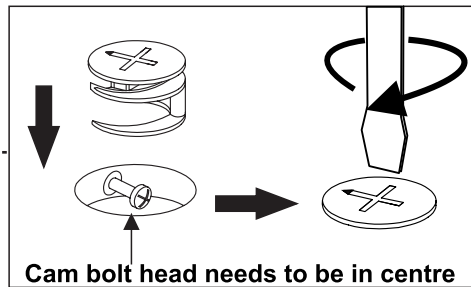
HARDWARE REQUIRED



TOOLS REQUIRED



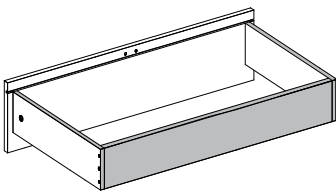
Detail 12



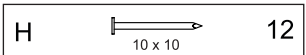
STEP 18

PARTS REQUIRED

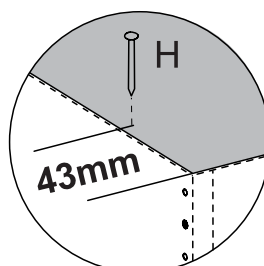
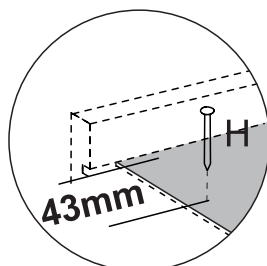
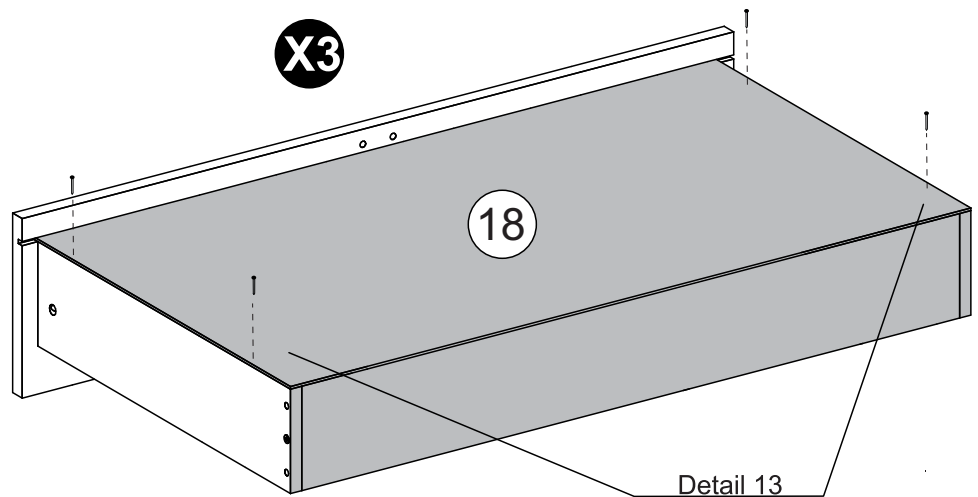
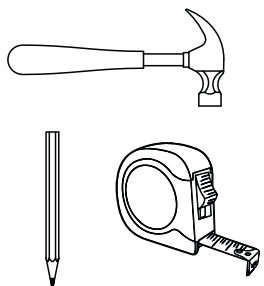
18 LARGE DRAWER BOTTOM x3



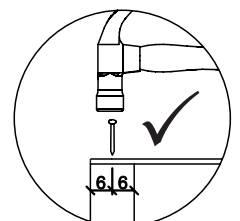
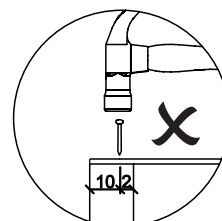
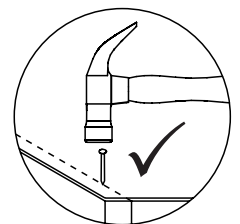
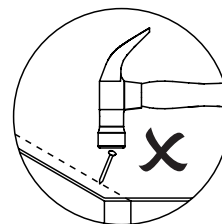
HARDWARE REQUIRED



TOOLS REQUIRED



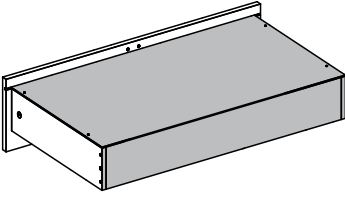
Detail 13



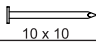
STEP 19

PARTS REQUIRED

19 - DRAWER BOTTOM SUPPORT BAR X3

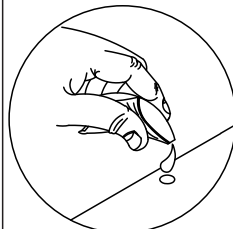
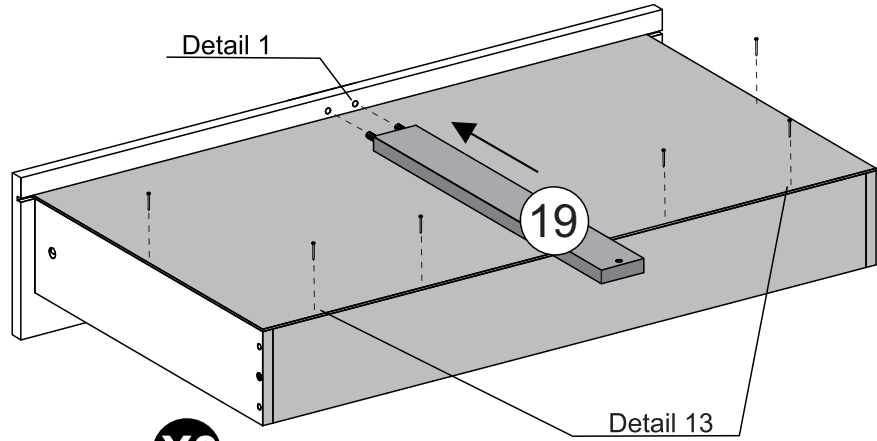
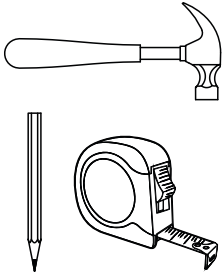


HARDWARE REQUIRED

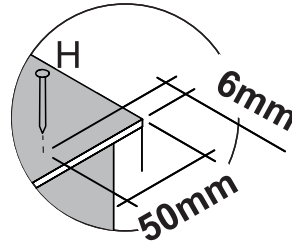
H  18
10 x 10

P  01
GLUE

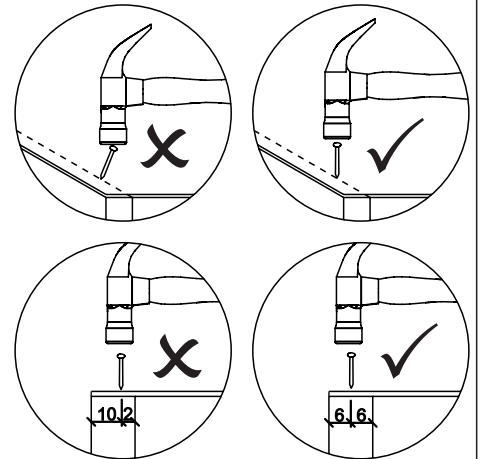
TOOLS REQUIRED



Detail 1

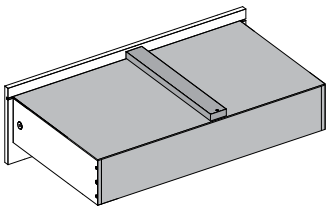


Detail 13




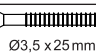
STEP 20

PARTS REQUIRED



HARDWARE REQUIRED

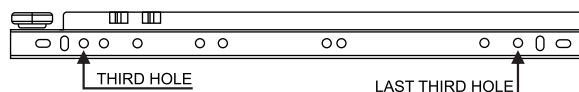
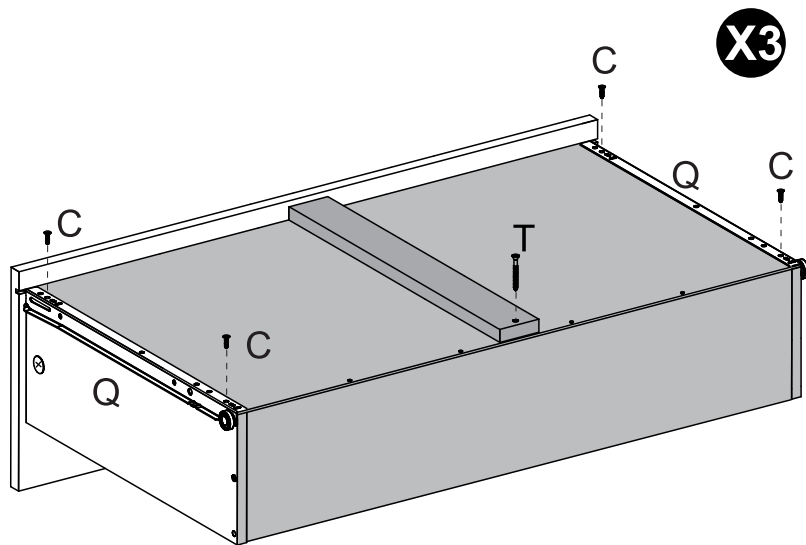
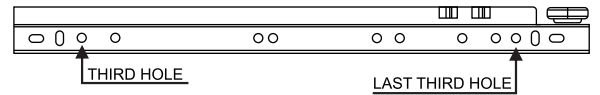
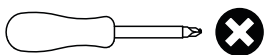
C  12
Ø4,0 x 14mm

T  03
Ø3,5 x 25mm

Q  03
LEFT

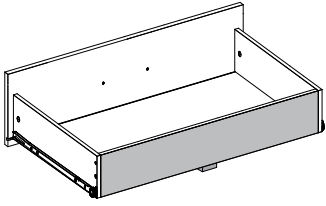
Q  03
RIGHT

TOOLS REQUIRED



STEP 21

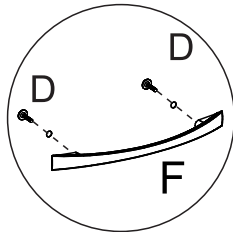
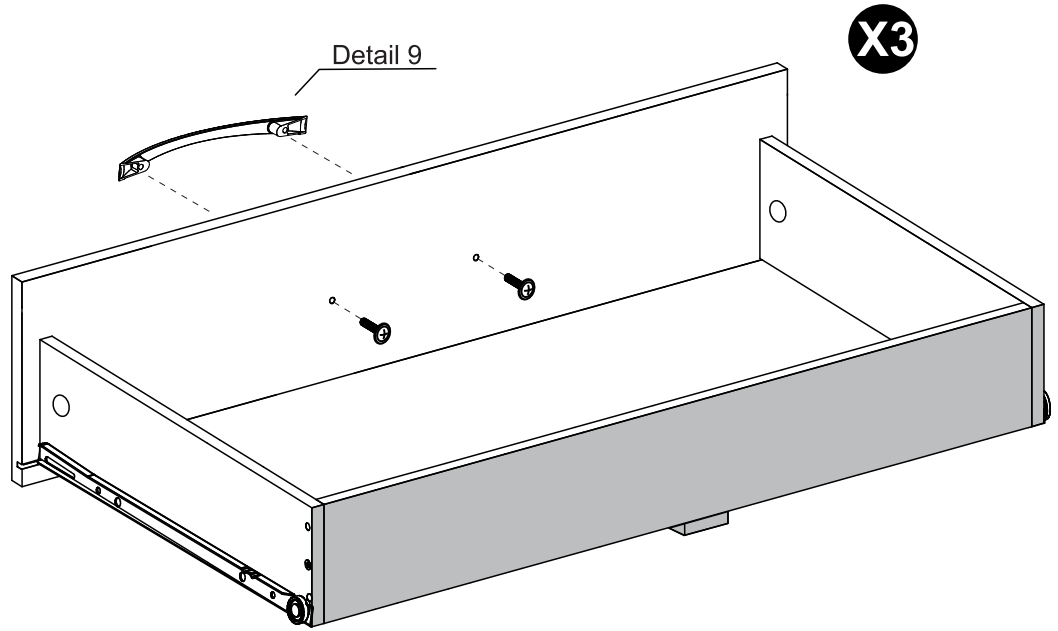
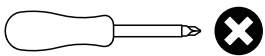
PARTS REQUIRED



HARDWARE REQUIRED



TOOLS REQUIRED



Detail 9

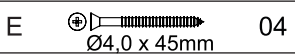
STEP 22

PARTS REQUIRED

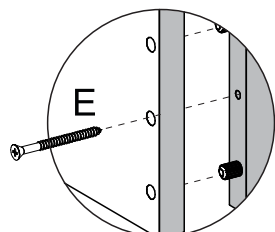
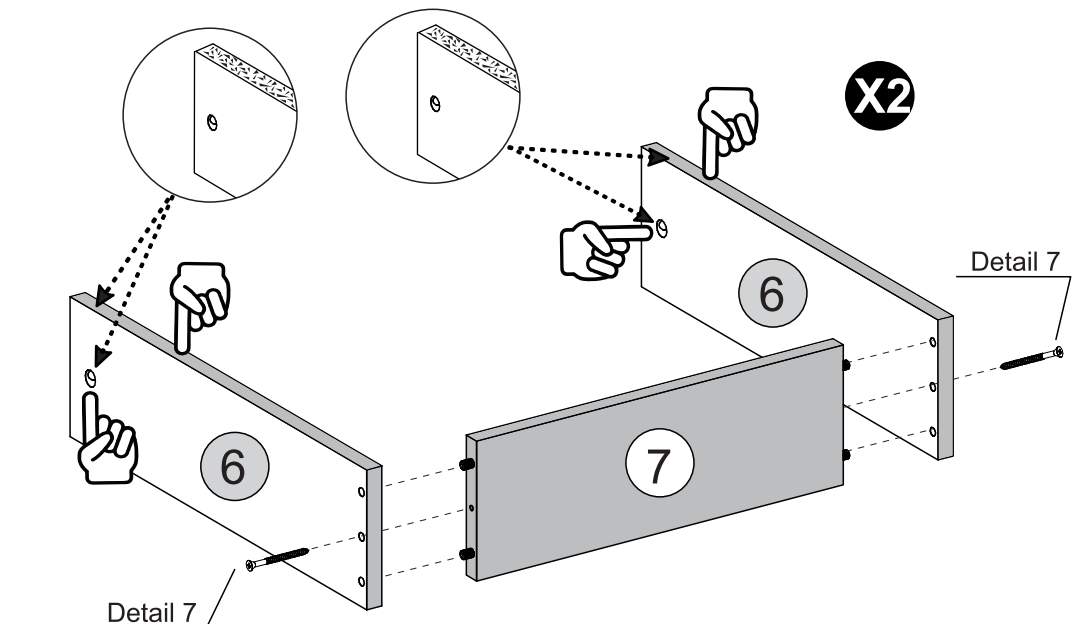
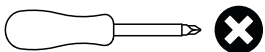
6 - DRAWER SIDE x4

7 - SMALL DRAWER BACK PANEL x2

HARDWARE REQUIRED



TOOLS REQUIRED

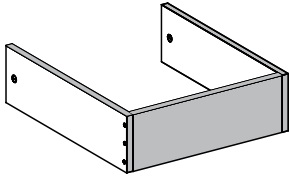


Detail 7

STEP 23

PARTS REQUIRED

5 - SMALL DRAWER FRONT x3

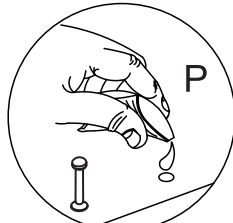
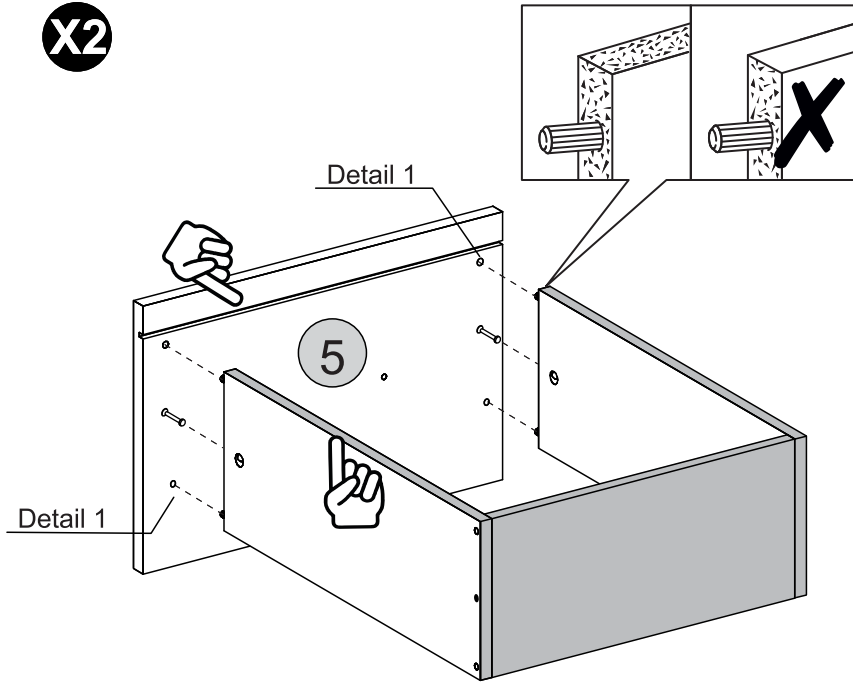


HARDWARE REQUIRED

P  01

TOOLS REQUIRED

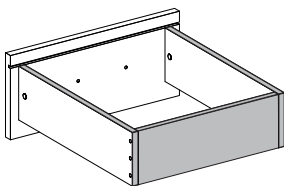
X2



Detail 1

STEP 24

PARTS REQUIRED



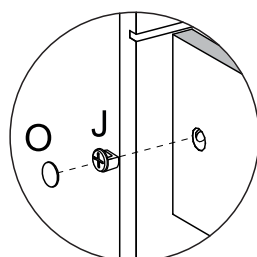
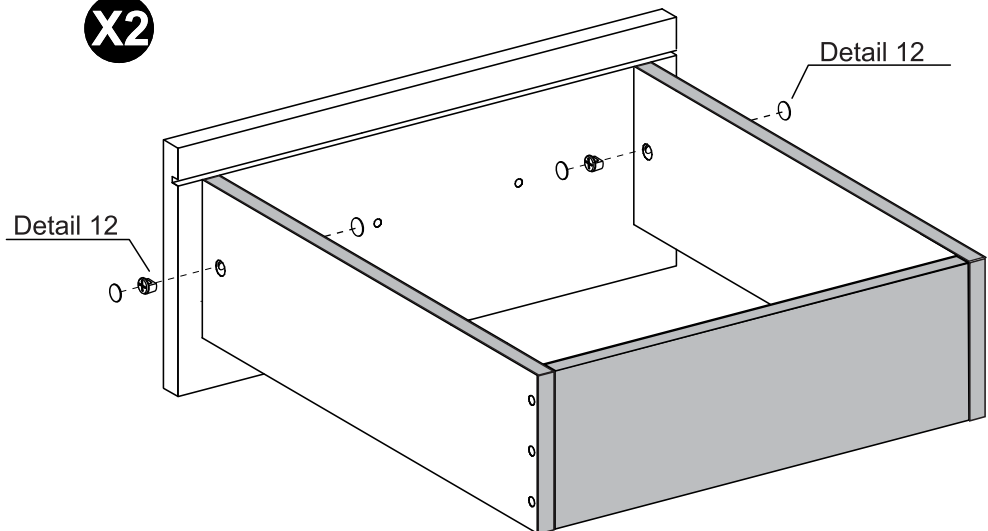
HARDWARE REQUIRED

J  04

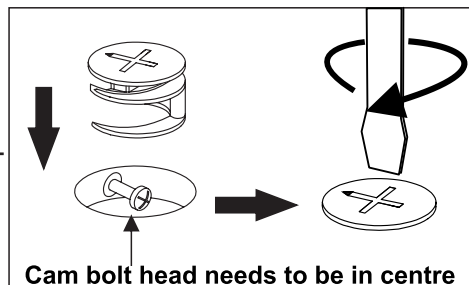
O  08

TOOLS REQUIRED

X2



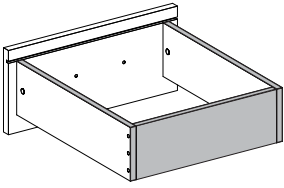
Detail 12



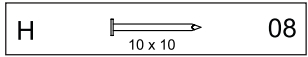
STEP 25

PARTS REQUIRED

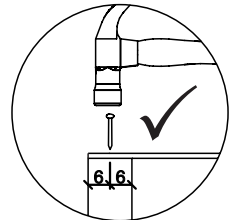
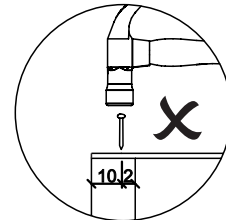
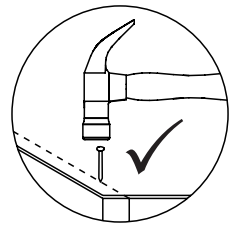
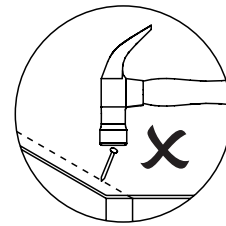
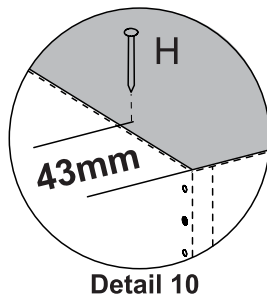
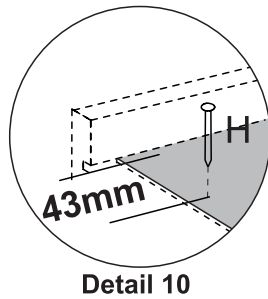
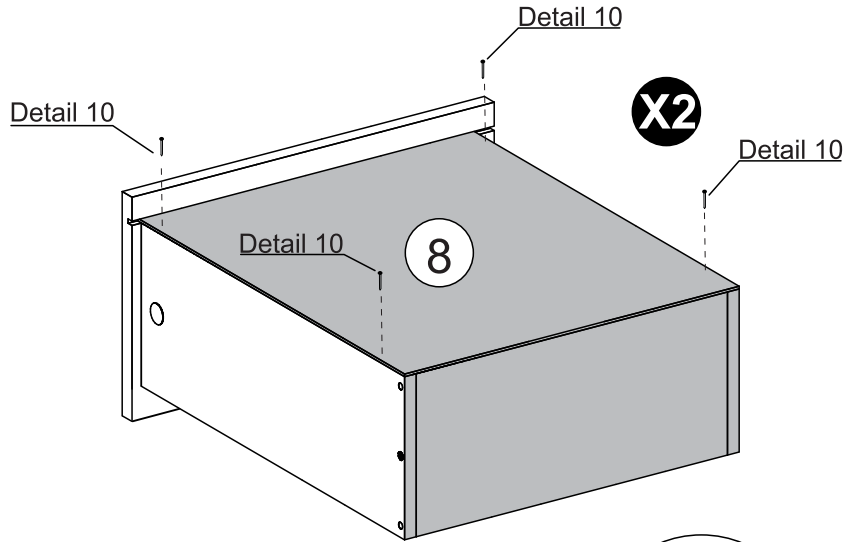
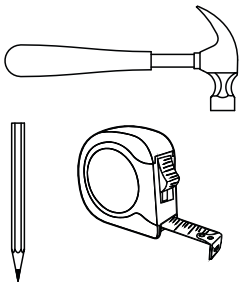
8 - SMALL DRAWER BOTTOM x2



HARDWARE REQUIRED

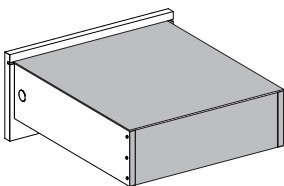


TOOLS REQUIRED

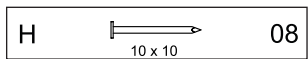


STEP 26

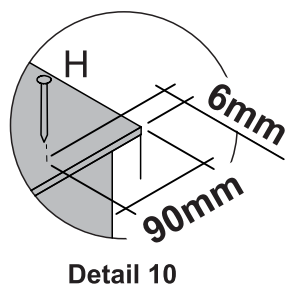
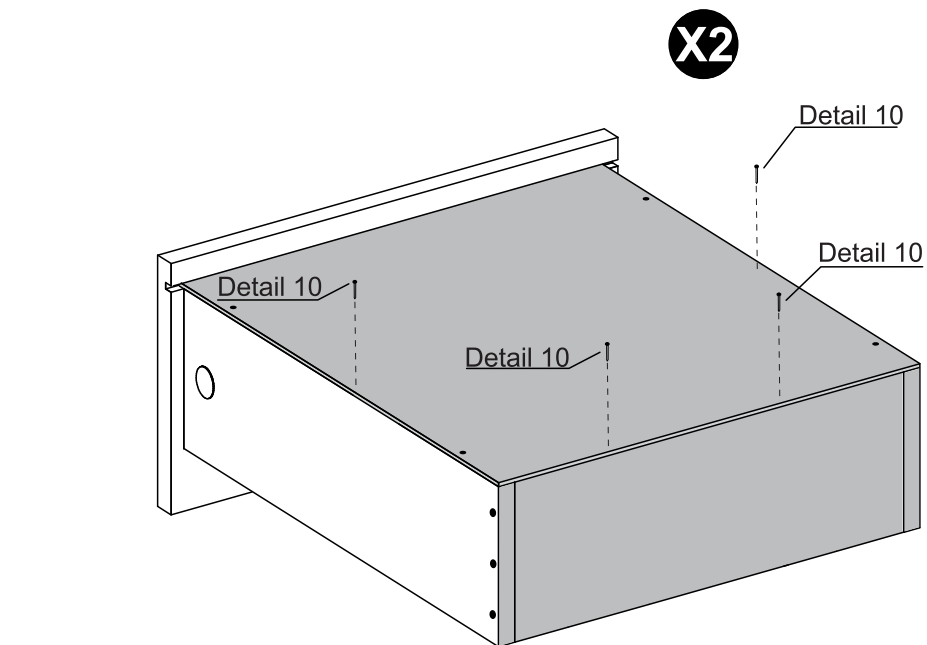
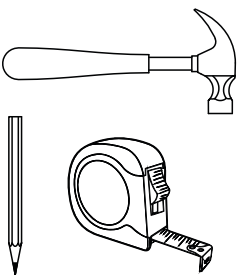
PARTS REQUIRED



HARDWARE REQUIRED

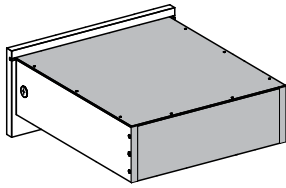


TOOLS REQUIRED

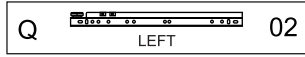
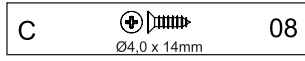


STEP 27

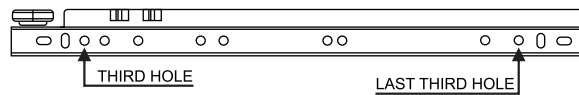
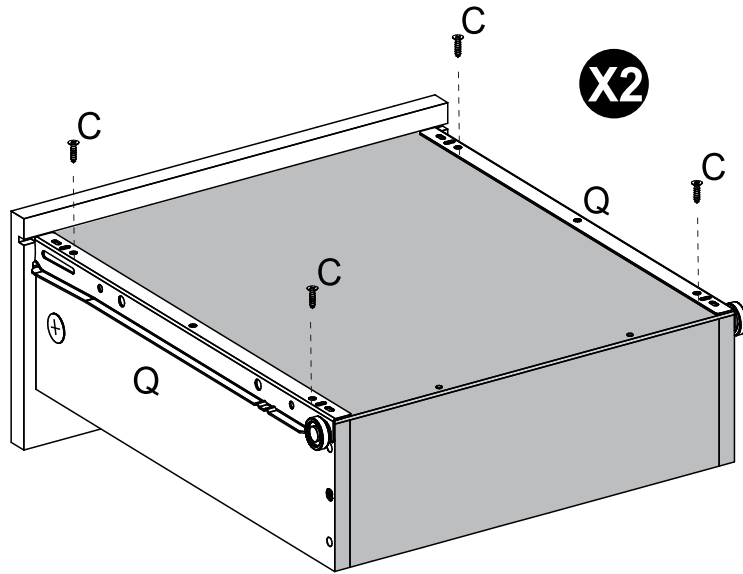
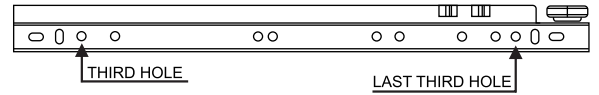
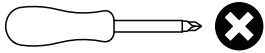
PARTS REQUIRED



HARDWARE REQUIRED

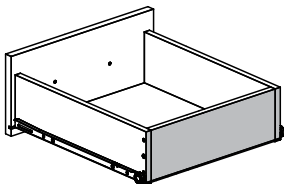


TOOLS REQUIRED

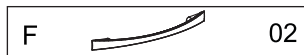


STEP 28

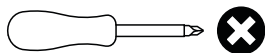
PARTS REQUIRED



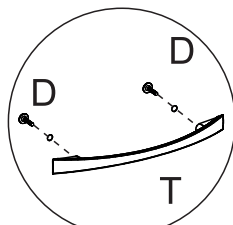
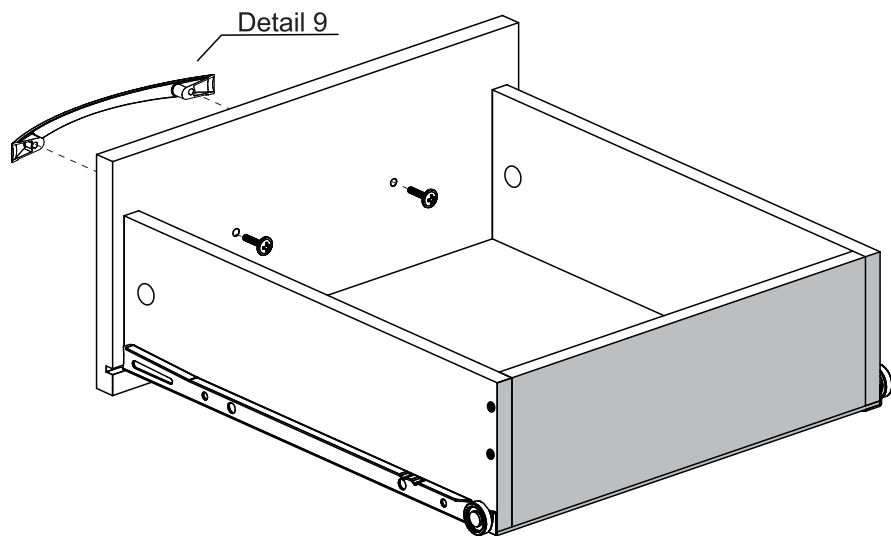
HARDWARE REQUIRED



TOOLS REQUIRED



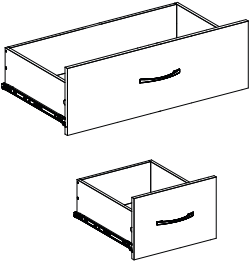
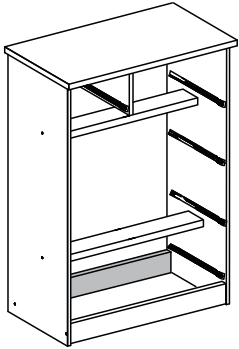
X2



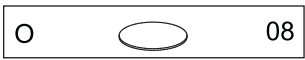
Detail 9

STEP 29

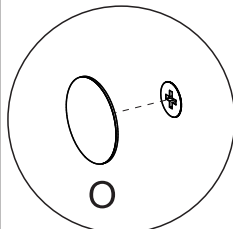
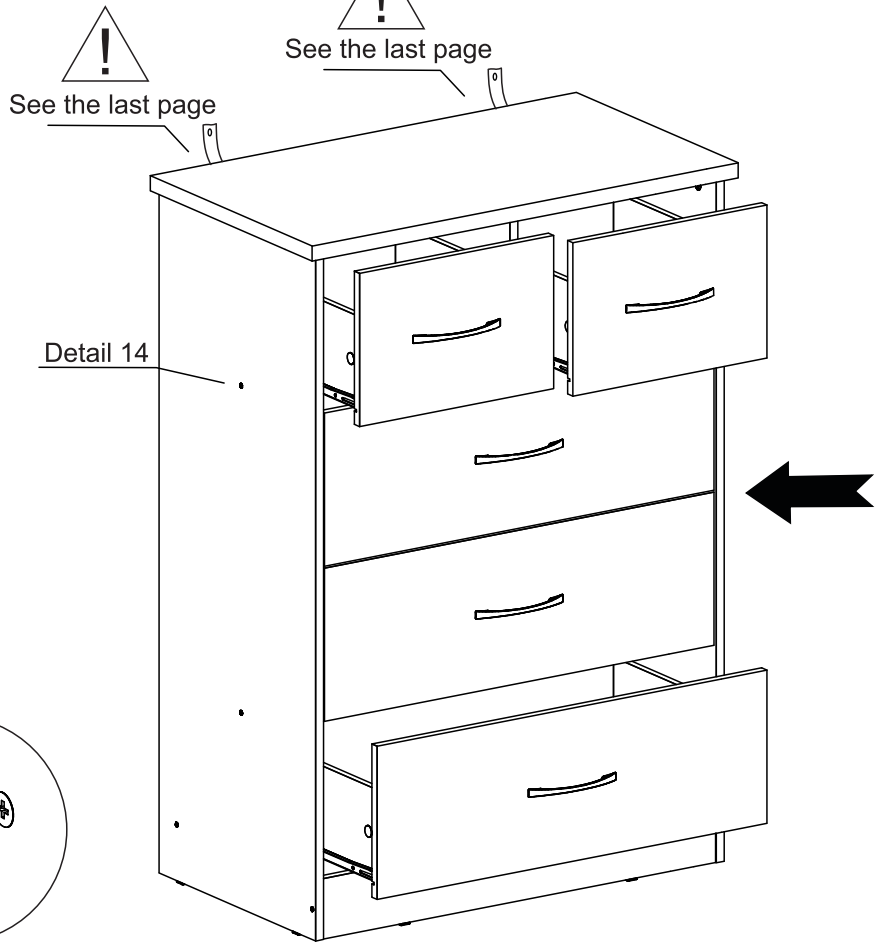
PARTS REQUIRED



HARDWARE REQUIRED



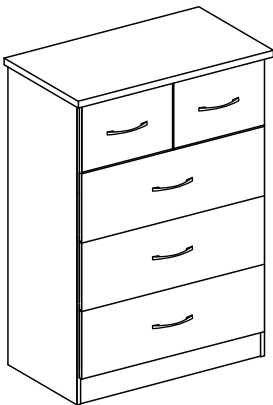
TOOLS REQUIRED



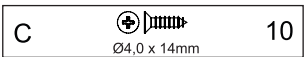
Detail 14

STEP 30

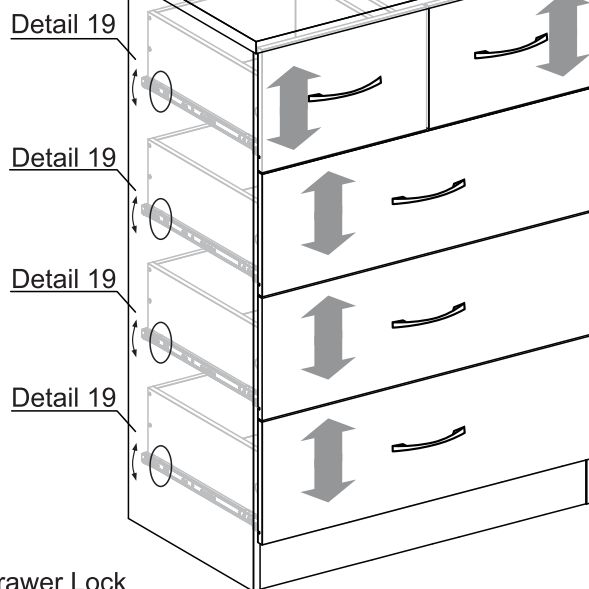
PARTS REQUIRED



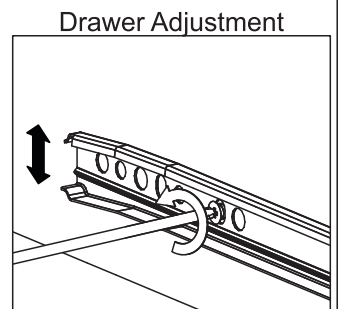
HARDWARE REQUIRED



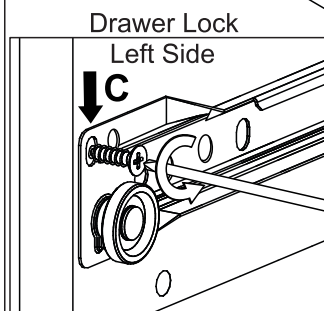
TOOLS REQUIRED



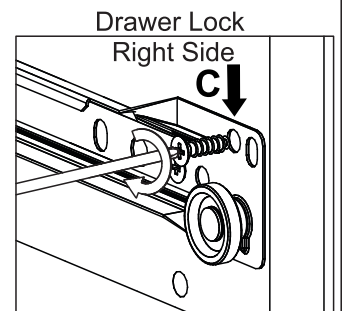
TIP
If desired, after assembly use an alcohol cleaner to erase the number printed on the parts.



Detail 19



Detail 18



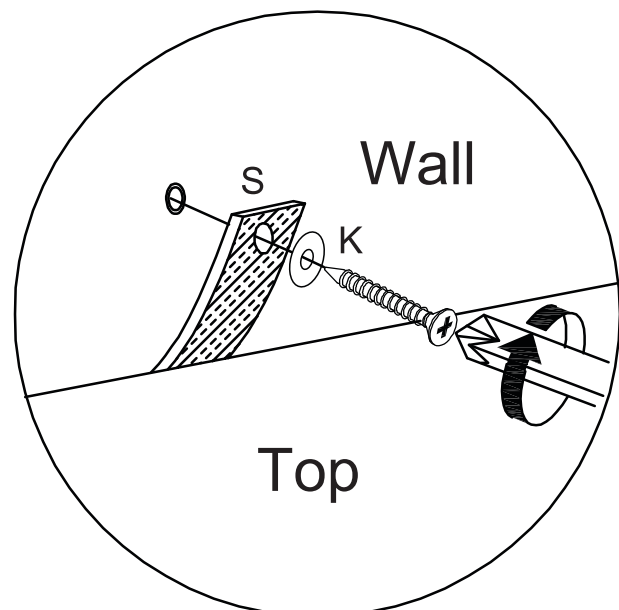
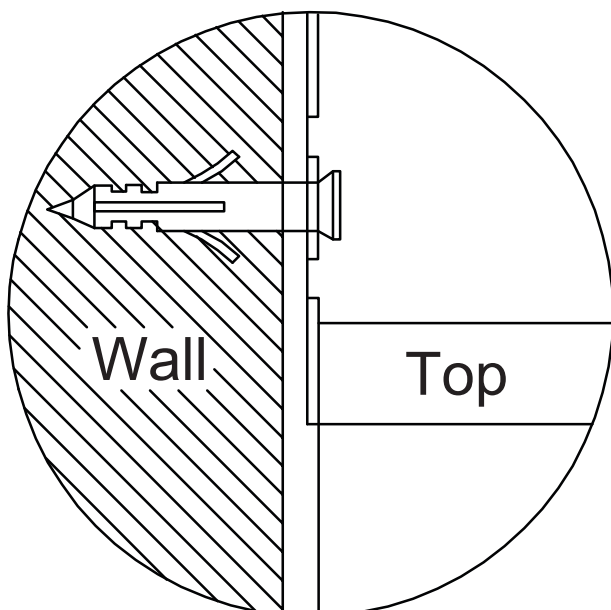
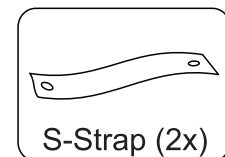
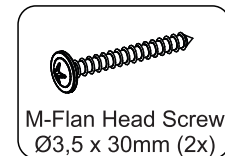
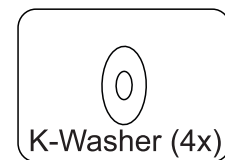
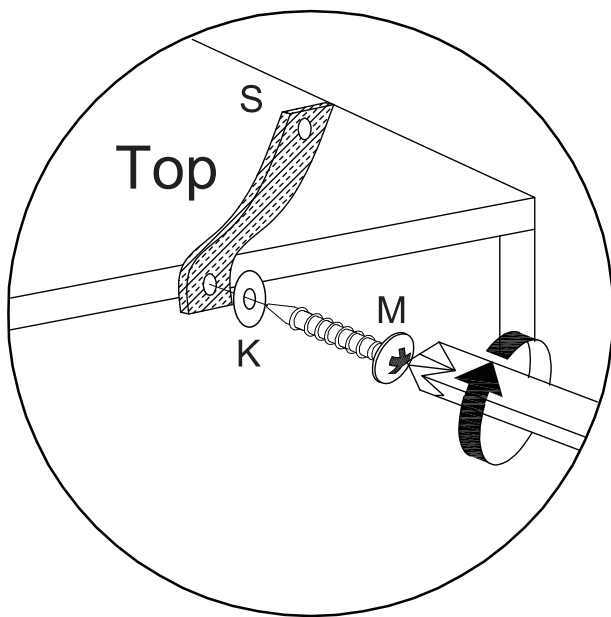
Detail 15

WARNING

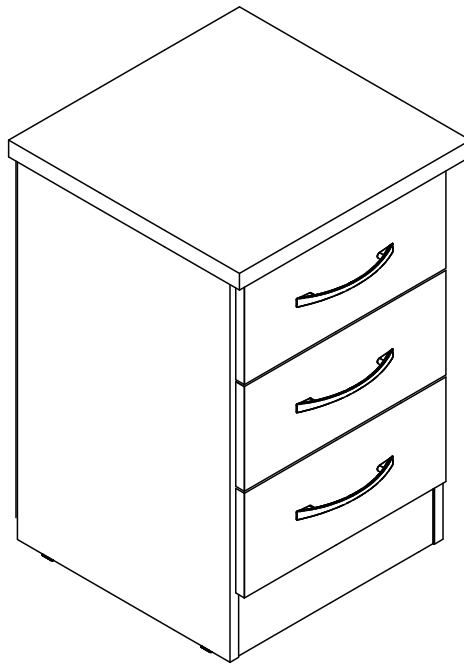
Serious or fatal injuries can occur from furniture tipping over. To prevent the furniture from tipping over we recommend that it is permanently fixed to the wall.

Wall fixings are not supplied with this product as different wall materials require different types of fixing devices.

Please make sure you use fixings suitable for the walls in your home.



NEVADA 3 DRAWER BEDSIDE ASSEMBLY INSTRUCTIONS



IMPORTANT FOR DOMESTIC USE ONLY

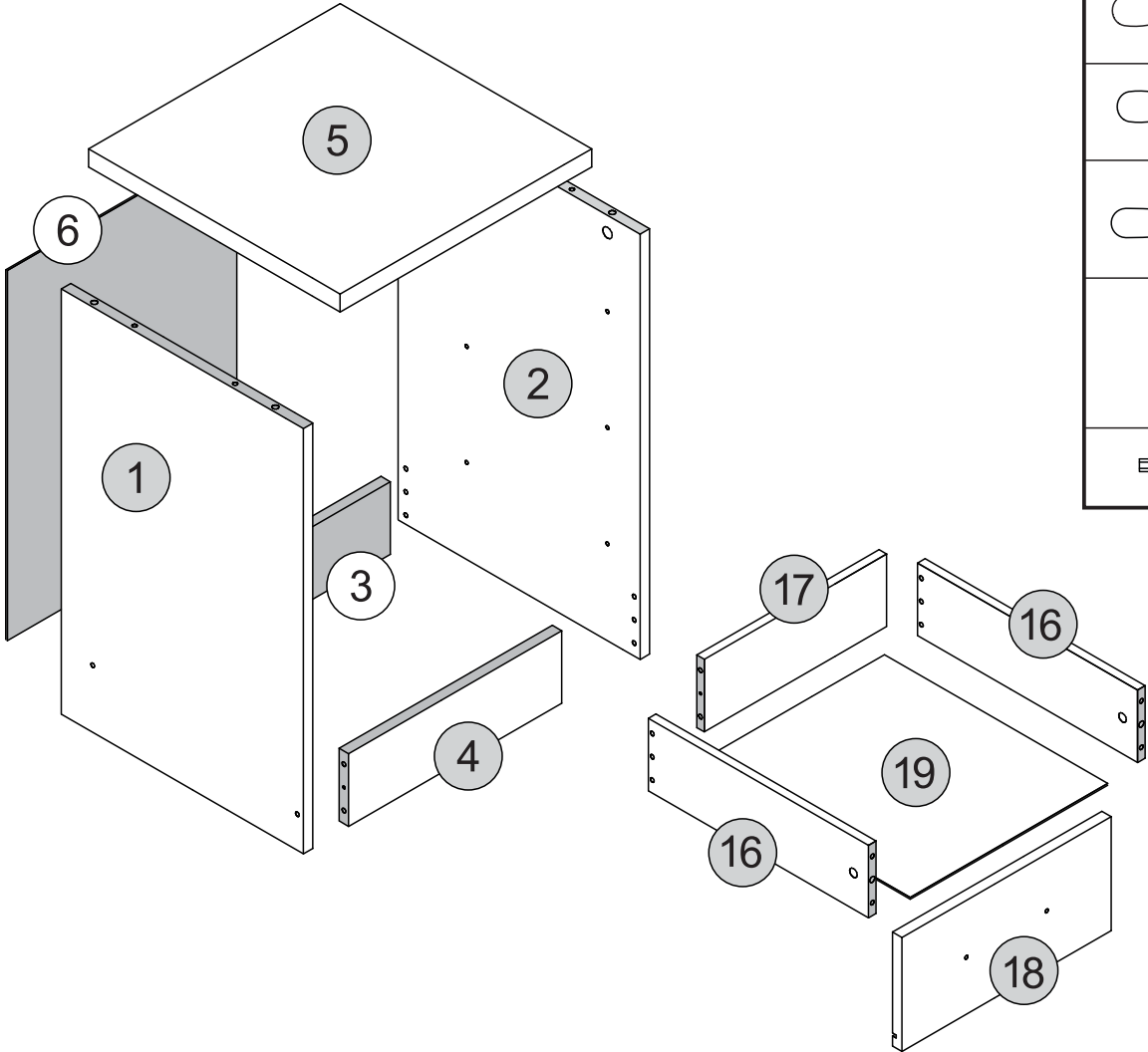
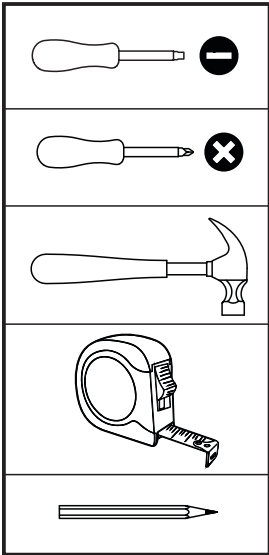
PLEASE READ BEFORE YOU CONTINUE FURTHER

CARE AND MAINTENANCE

After unpacking this product please keep the original packaging in case it needs to be returned for any reason.

- Please ensure all fittings and parts are present before commencing with assembly.
- Never drag or push products as this could cause damage to the joints making it inferior.
- We strongly recommend that you keep children away from your work area.
- We recommend that you lay a blanket or sheet on the floor to avoid damage to both your floor and the product.
- Assemble this product as close to its final position as possible.
- Do not place this product next to a radiator or in direct sunlight.
- Do not drag or push items across your high gloss furniture as this may cause the surface to scratch
- Wood is a natural product and may expand if subjected to damp and may shrink or crack if subjected to heat. Therefore it is recommended that room temperature is maintained, with no sudden temperature fluctuations.
- Make sure any spillage is wiped off immediately.
- Do not place hot or chilled items directly on to the surface, use a place mat or marking will occur.
- For general cleaning use a soft cotton or micro fibre cloth, and do not use detergents of any kind.
- From time to time it may be necessary to tighten fittings, regular inspections should be carried out.
- Do not place on a wet or damp floor as staining may occur to your floor.

TOOLS REQUIRED


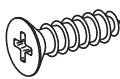
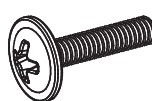
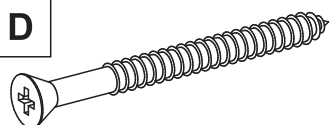
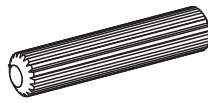
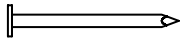
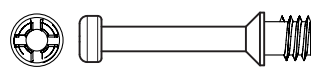





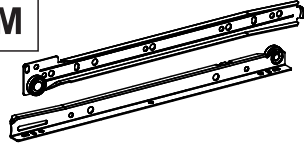
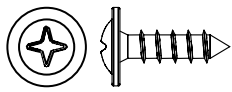


PARTS LIST

Please Note:
The below parts have all been stamped with the part number to help identify them during assembly.

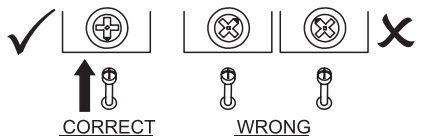
Part Number	Part Description	Quantity	Carton
1	Left Side Panel	1	1/1
2	Right Side Panel	1	1/1
3	Back Baseboard	1	1/1
4	Front Baseboard	1	1/1
5	Top Panel	1	1/1
6	Back Panel	1	1/1
16	Drawer Side	6	1/1
17	Drawer Back Panel	3	1/1
18	Drawer Front	3	1/1
19	Drawer Bottom	3	1/1






FITTINGS LIST




<p>A</p>  <p>Flat Head Screw Ø6,0 x 8mm (12x)</p> <p>2/+</p>	<p>B</p>  <p>Flat Head Screw Ø4,0 x 14mm (18x)</p> <p>2/+</p>	<p>C</p>  <p>Flan Head Screw Ø4,0 x 20mm (6x)</p> <p>1/+</p>	<p>D</p>  <p>Flat Head Screw Ø4,0 x 45mm (10x)</p> <p>1/+</p>
<p>E</p>  <p>Dowel Ø6,0 x 30mm (36x)</p> <p>2/+</p>	<p>F</p>  <p>Nail 10 x 10 (40x)</p> <p>5/+</p>	<p>G</p>  <p>Cam Bolt (10x)</p> <p>1/+</p>	<p>H</p>  <p>Cam Nut Ø12mm (10x)</p> <p>1/+</p>
<p>I</p>  <p>Plastic Foot (4x)</p> <p>1/+</p>	<p>J</p>  <p>Hole Plugs (16x)</p> <p>2/+</p>	<p>K</p>  <p>GLUE</p> <p>Glue (2x)</p>	<p>L</p>  <p>Handle (3x)</p>
<p>M</p>  <p>Drawer Runners (3x)</p>	<p>N</p>  <p>Flan Head Screw Ø3,5 x 12mm (2x)</p> <p>1/+</p>		

TIPS FOR FITTINGS CAM-LOCKS

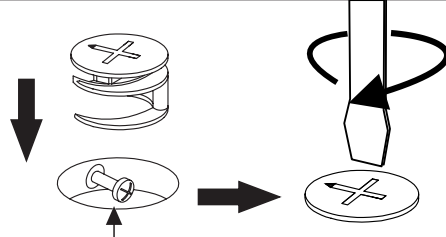
WHEN FITTING CAM NUT, ENSURE STARTING POSITION IS CORRECT BEFORE YOU INSERT CONNECTING CAM BOLT TURN CLOCKWISE UNTIL SECURE



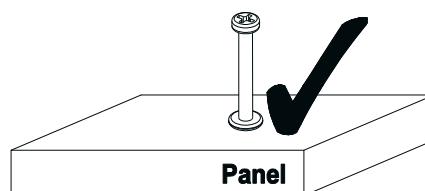
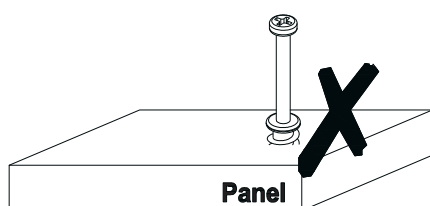
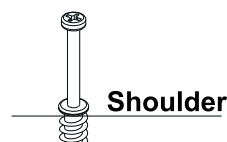
CORRECT WRONG



Cam bolt head needs to be in centre

CAMBOLT

Tighten until shoulder in flush with panel. Do not overtighten or undertighten (see example beside)

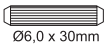


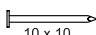
STEP 1

PARTS REQUIRED

1 - LEFT SIDE PANEL x1

HARDWARE REQUIRED

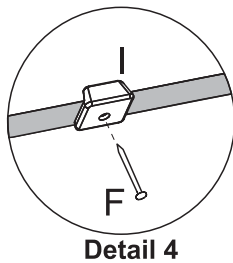
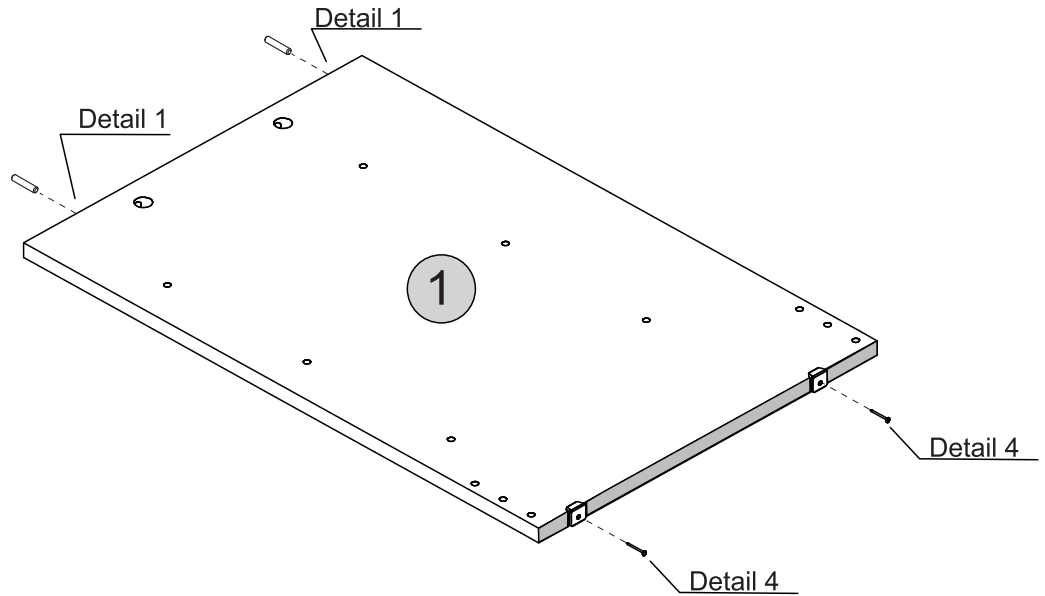
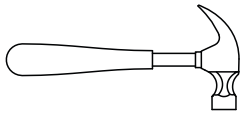
E  02
Ø6,0 x 30mm

F  02
10 x 10

I  02

K  01
GLUE

TOOLS REQUIRED




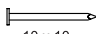
STEP 2

PARTS REQUIRED

2 - RIGHT SIDE PANEL x1

HARDWARE REQUIRED

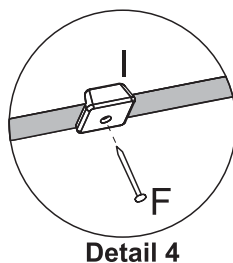
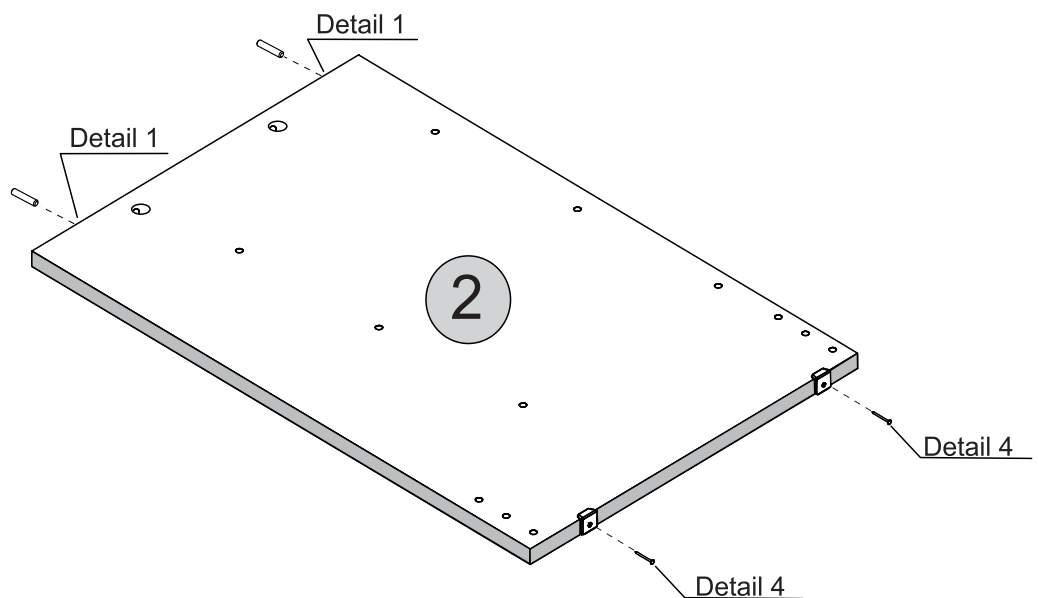
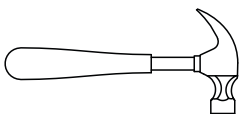
E  02
Ø6,0 x 30mm

F  02
10 x 10

I  02

K  01
GLUE

TOOLS REQUIRED





STEP 3

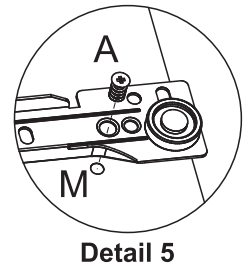
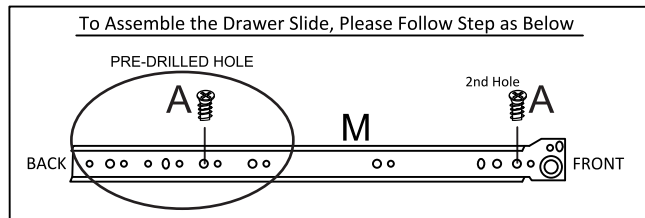
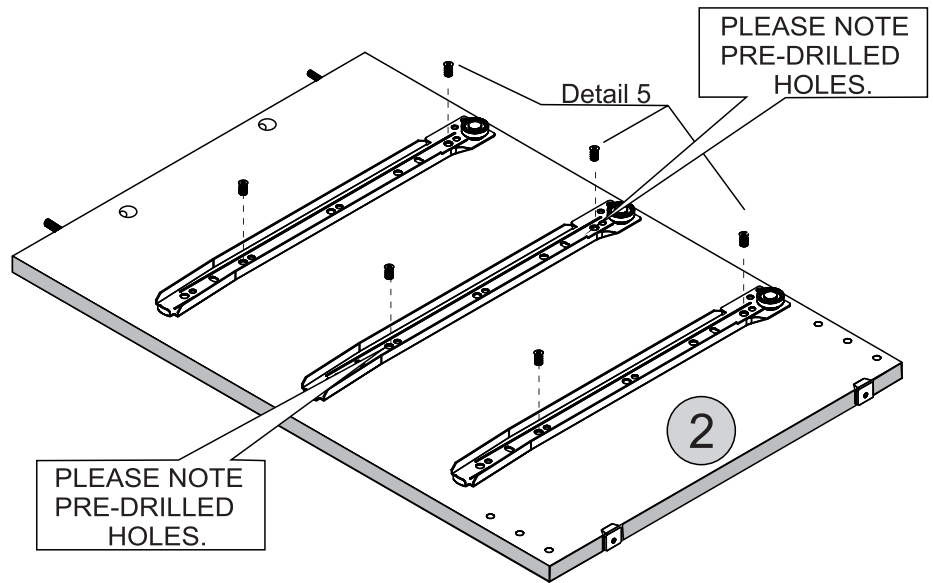
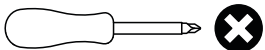
PARTS REQUIRED

2 - RIGHT SIDE PANEL x1

HARDWARE REQUIRED

- A  06
Ø6,0 x 8mm
- M  03

TOOLS REQUIRED





STEP 4

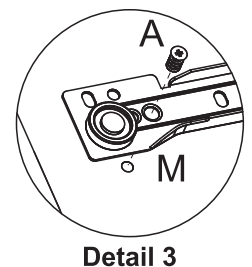
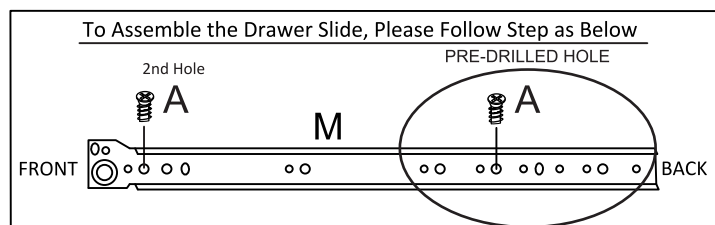
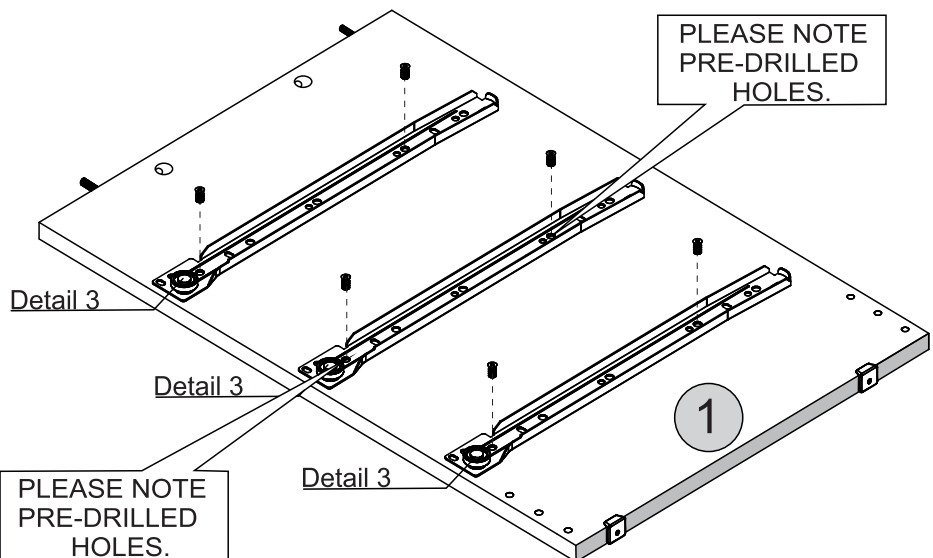
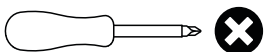
PARTS REQUIRED

1 - LEFT SIDE PANEL x1

HARDWARE REQUIRED

- A  06
Ø6,0 x 8mm
- M  03

TOOLS REQUIRED



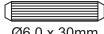
STEP 5

PARTS REQUIRED

3 - BACK BASEBOARD x1

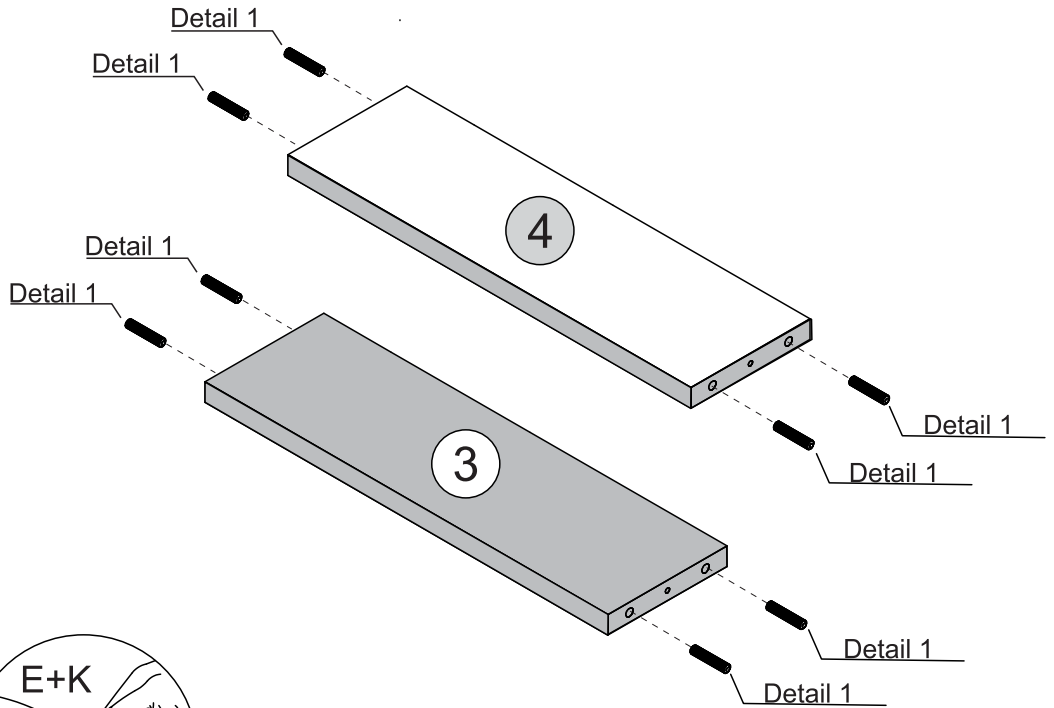
4 - FRONT BASEBOARD x1

HARDWARE REQUIRED

E  08
Ø6.0 x 30mm

K  01

TOOLS REQUIRED



Detail 1

STEP 6

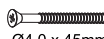
PARTS REQUIRED

2 - RIGHT SIDE PANEL x1

3 - BACK BASEBOARD x1

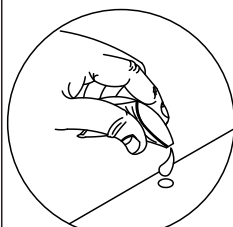
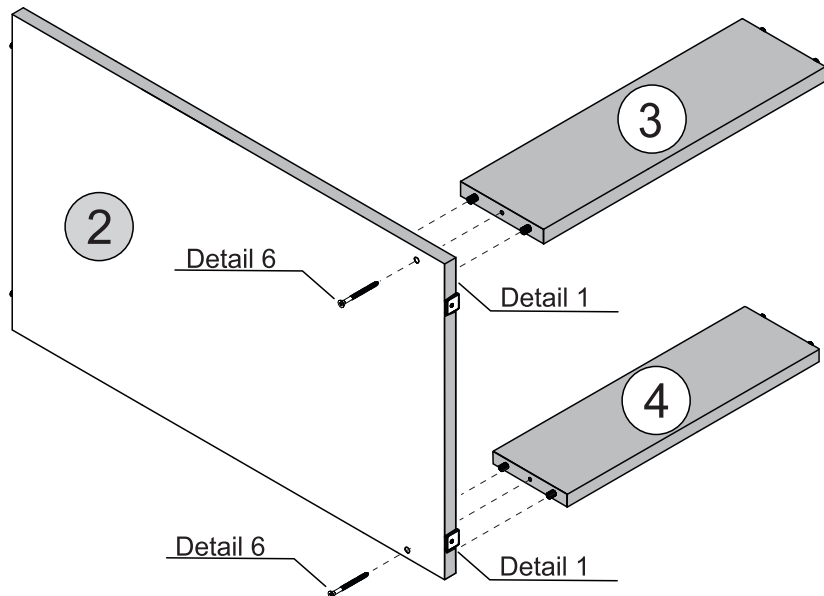
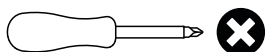
4 - FRONT BASEBOARD x1

HARDWARE REQUIRED

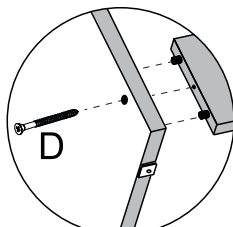
D  02
Ø4.0 x 45mm

K  01

TOOLS REQUIRED



Detail 1

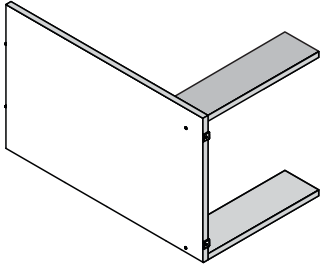


Detail 6


STEP 7

PARTS REQUIRED

1 - LEFT SIDE PANEL x1

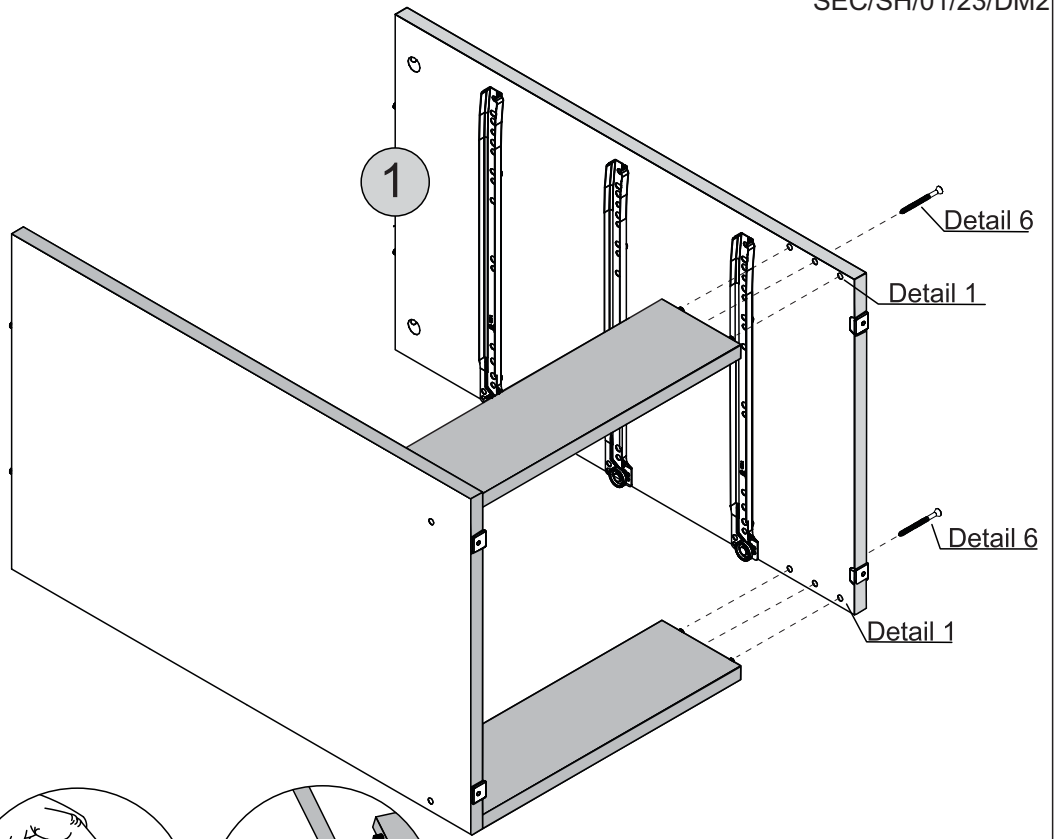
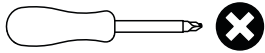


HARDWARE REQUIRED

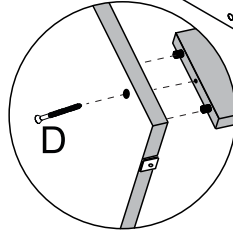
D  Ø4,0 x 45mm 02

K  GLUE 01

TOOLS REQUIRED



Detail 1




Detail 6

STEP 8

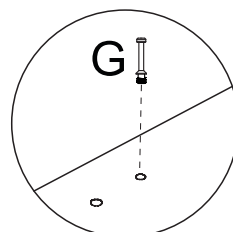
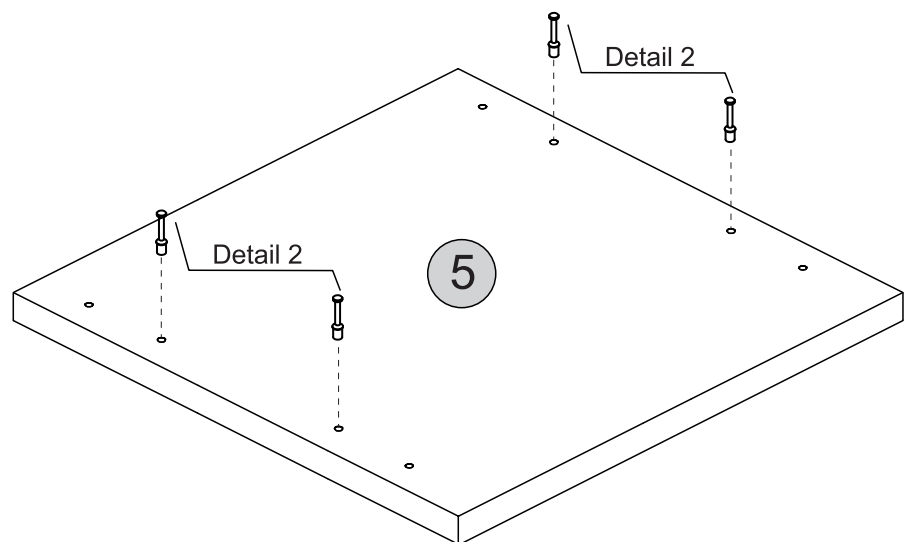
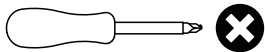
PARTS REQUIRED

5 - TOP PANEL x1

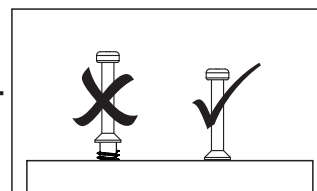
HARDWARE REQUIRED

G  04

TOOLS REQUIRED



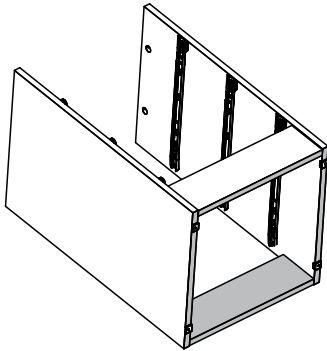
Detail 2



STEP 9

PARTS REQUIRED

5 - TOP PANEL x1

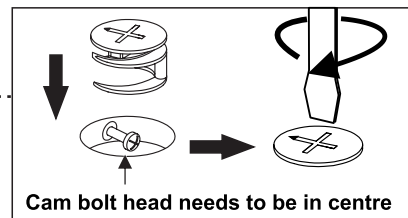
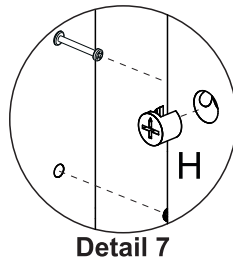
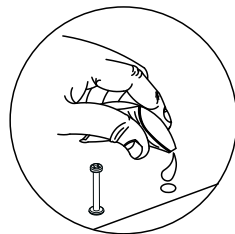
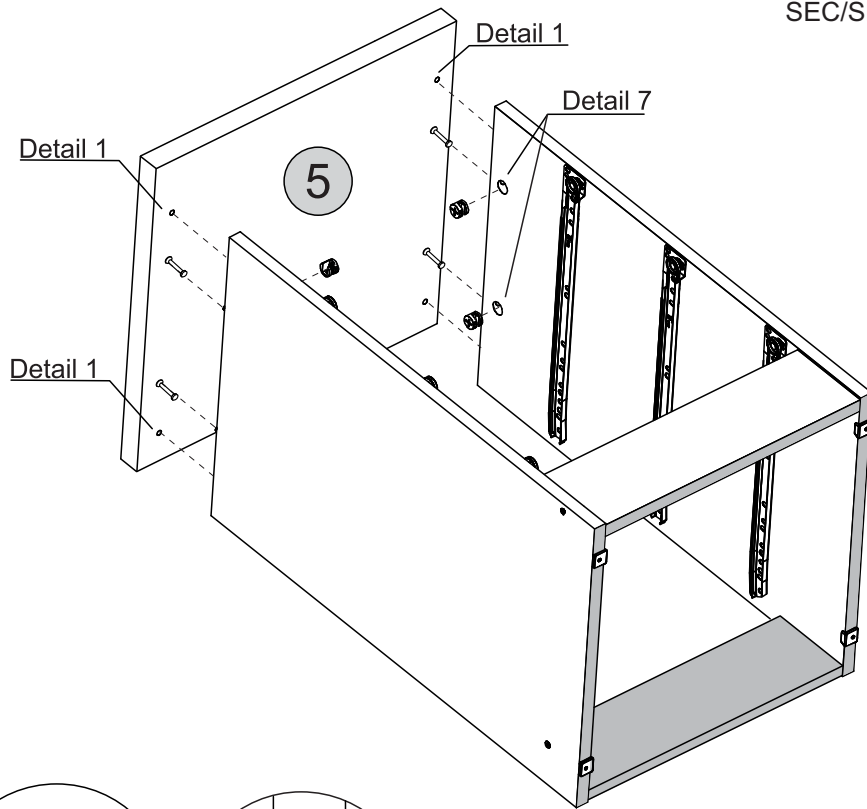
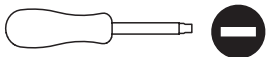


HARDWARE REQUIRED

H  04

K  GLUE 01

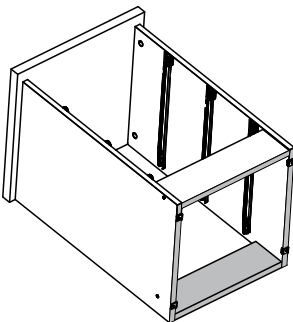
TOOLS REQUIRED



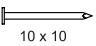
STEP 10


PARTS REQUIRED

6 - BACK PANEL x1

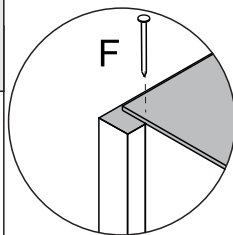
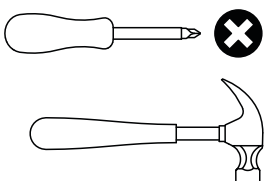


HARDWARE REQUIRED

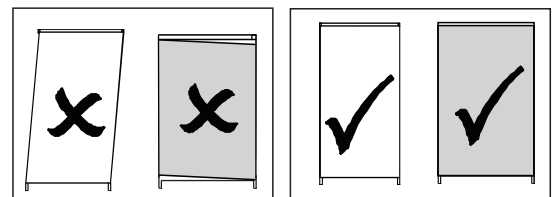
F  10 x 10 12

N  Ø3,5 x 12mm 02

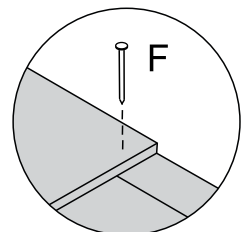
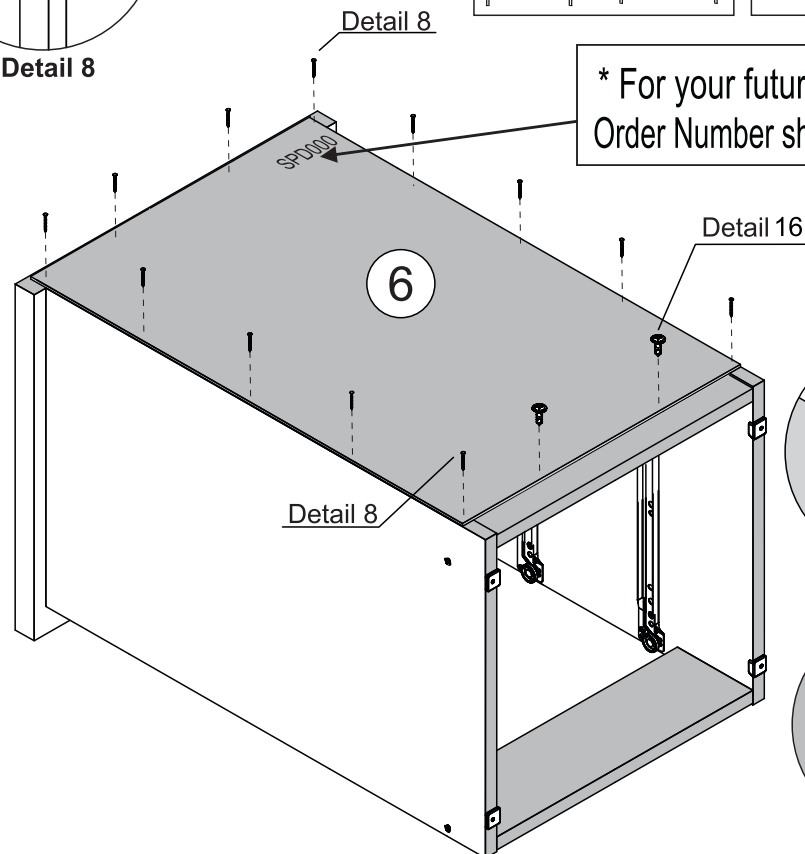
TOOLS REQUIRED



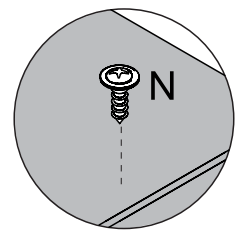
Detail 8



* For your future reference
Order Number should be here



Detail 8



Detail 16

STEP 11

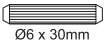
PARTS REQUIRED

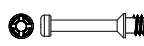
16 - DRAWER SIDE x6

17 - DRAWER BACK PANEL x3

18 - DRAWER FRONT x3

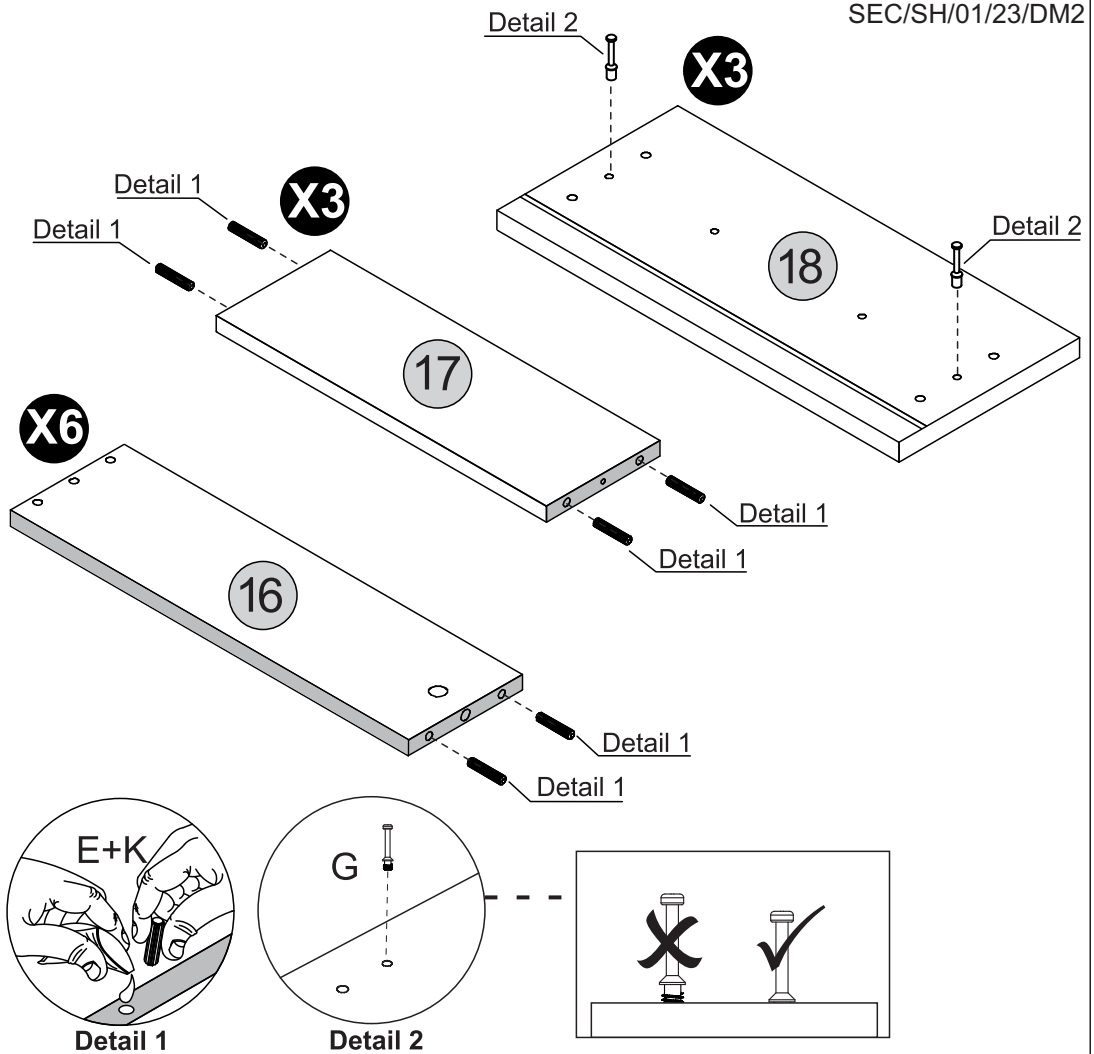
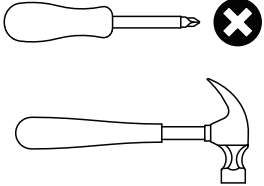
HARDWARE REQUIRED

E  24
Ø6 x 30mm

G  06

K  01

TOOLS REQUIRED



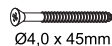
STEP 12

PARTS REQUIRED

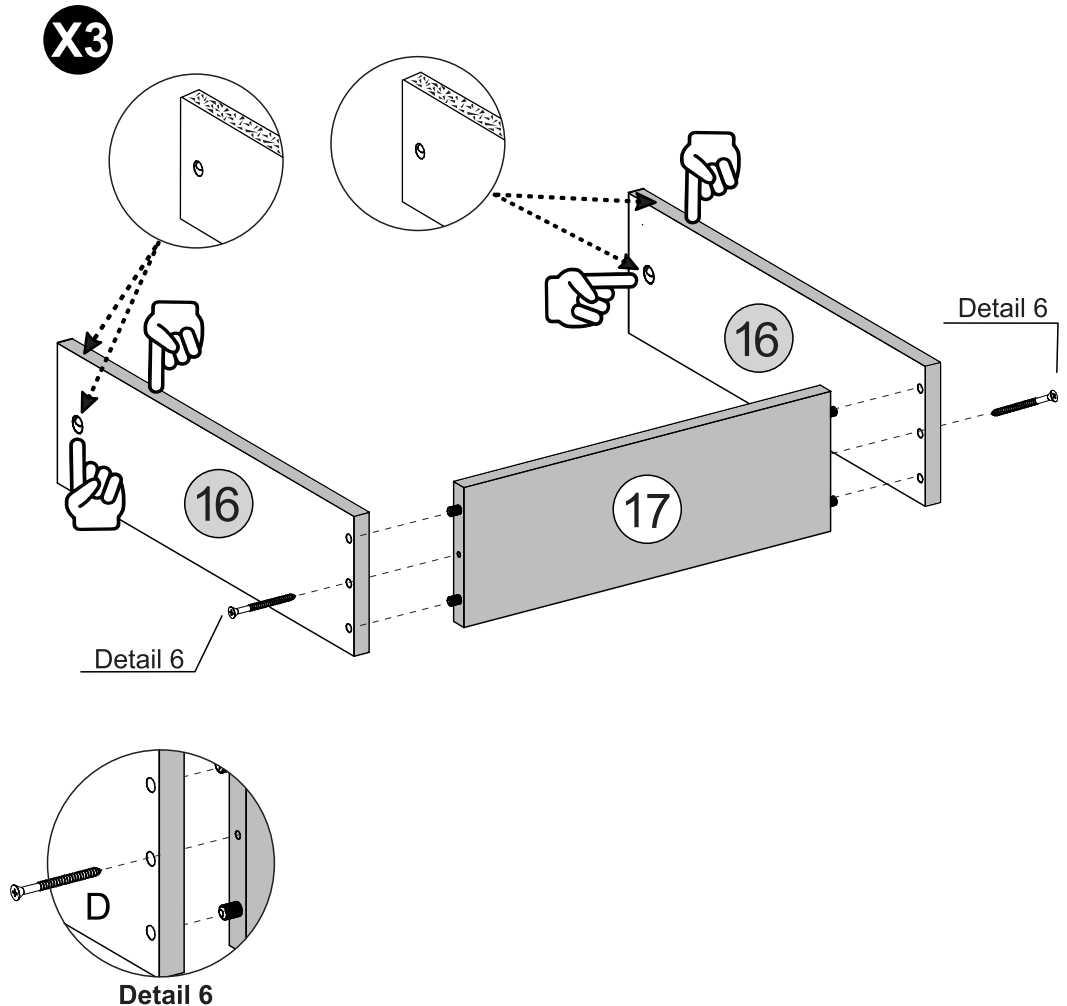
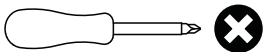
16 - DRAWER SIDE x6

17 - DRAWER BACK PANEL x3

HARDWARE REQUIRED

D  06
Ø4,0 x 45mm

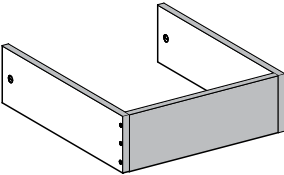
TOOLS REQUIRED



STEP 13

PARTS REQUIRED

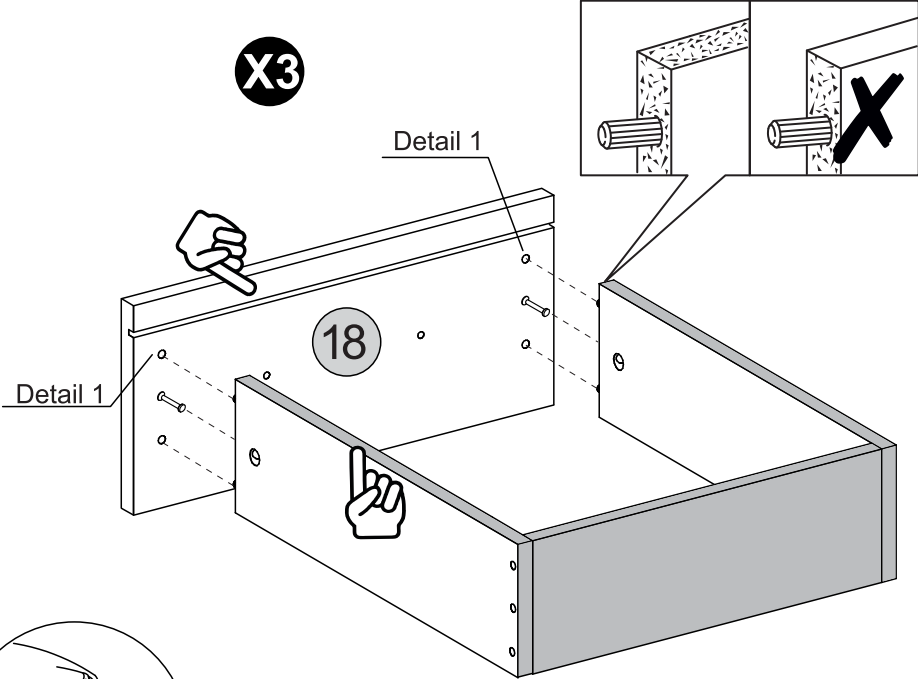
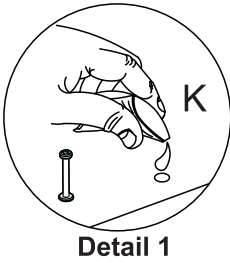
18 - DRAWER FRONT x3



HARDWARE REQUIRED

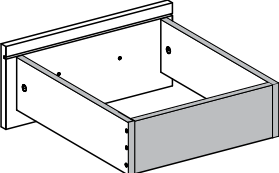
K  01

TOOLS REQUIRED



STEP 14

PARTS REQUIRED

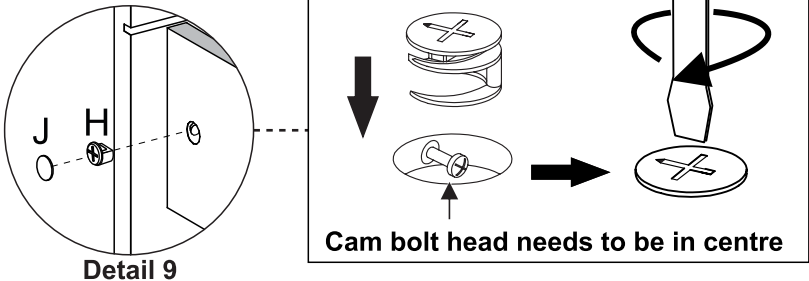
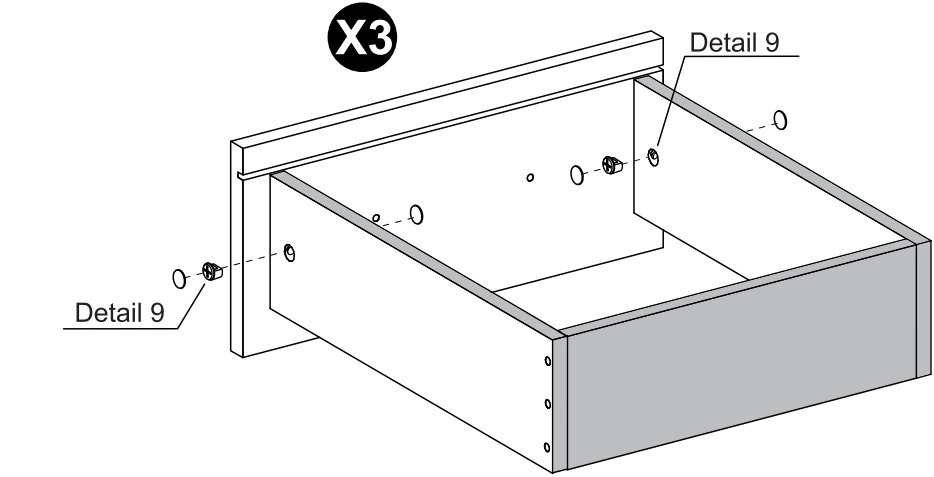
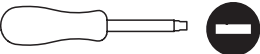


HARDWARE REQUIRED

H  06

J  12

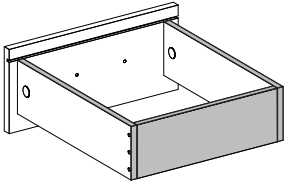
TOOLS REQUIRED



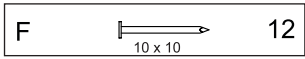
STEP 15

PARTS REQUIRED

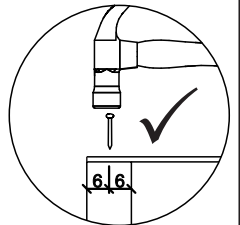
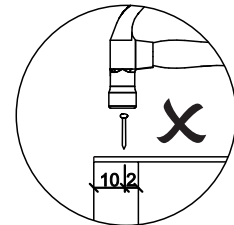
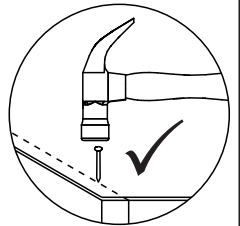
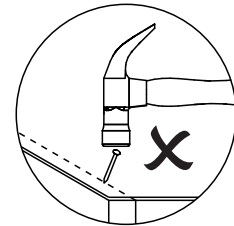
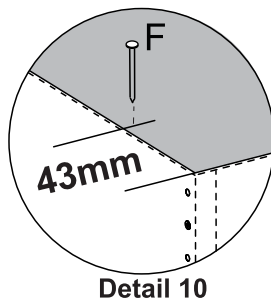
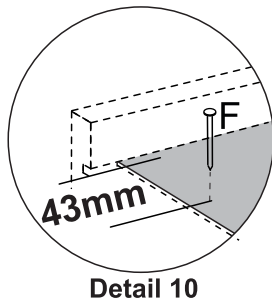
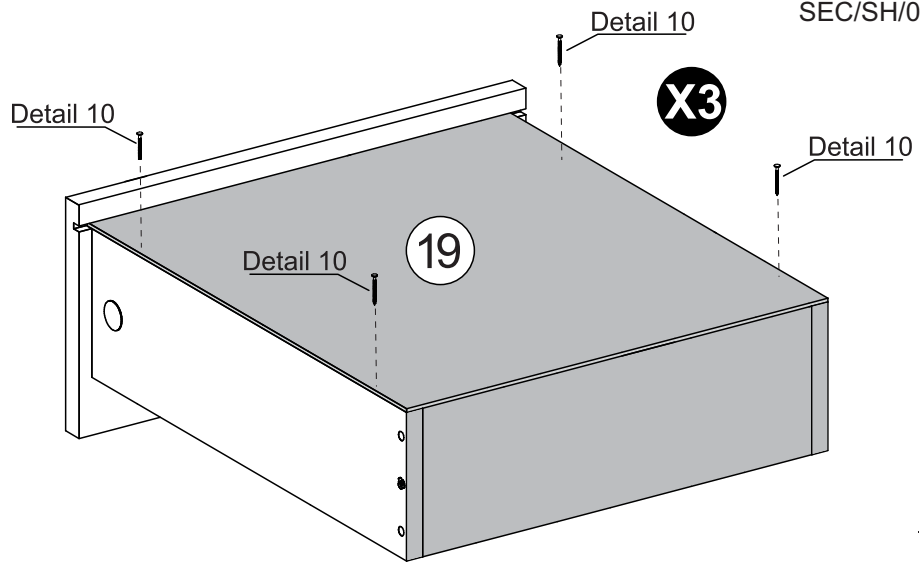
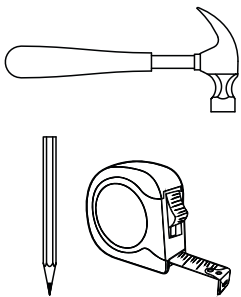
19 - DRAWER BOTTOM x3



HARDWARE REQUIRED

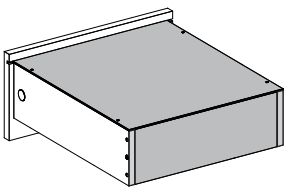


TOOLS REQUIRED

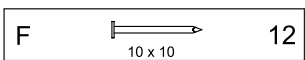


STEP 16

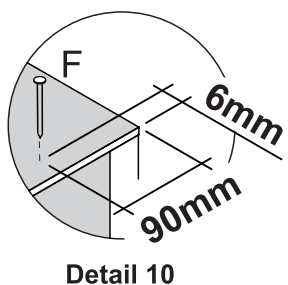
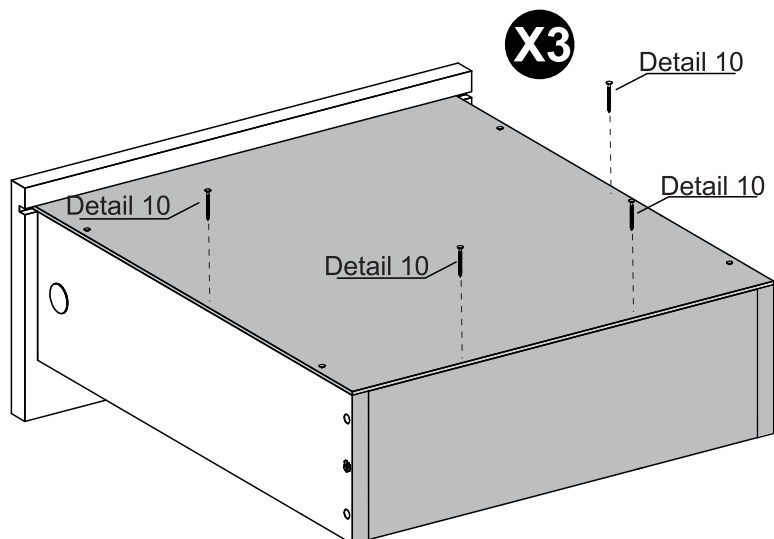
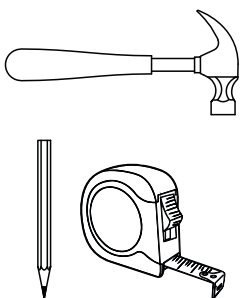
PARTS REQUIRED



HARDWARE REQUIRED

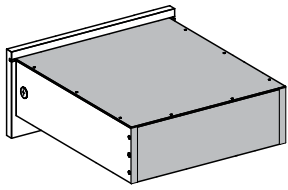


TOOLS REQUIRED

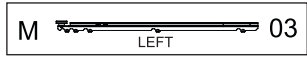
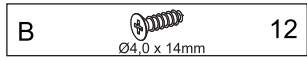


STEP 17

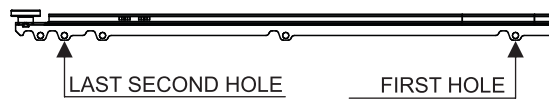
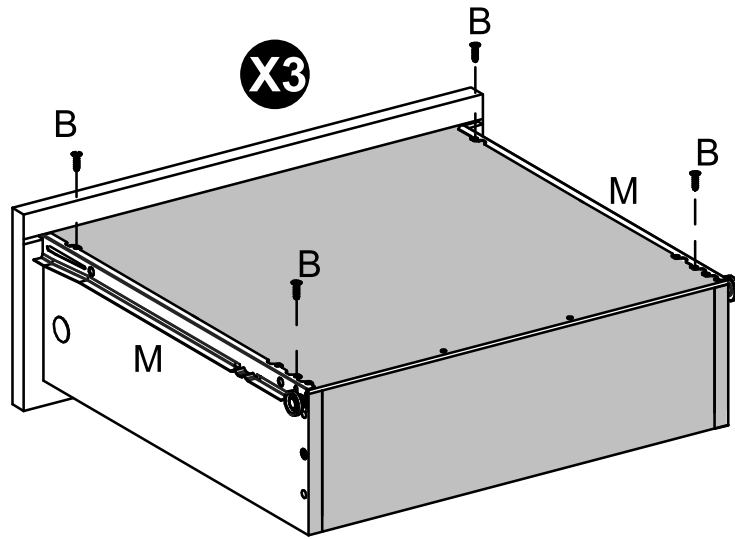
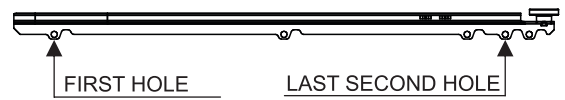
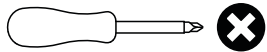
PARTS REQUIRED



HARDWARE REQUIRED

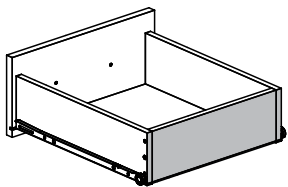


TOOLS REQUIRED

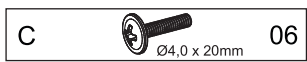


STEP 18

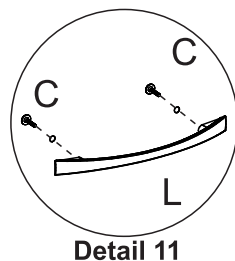
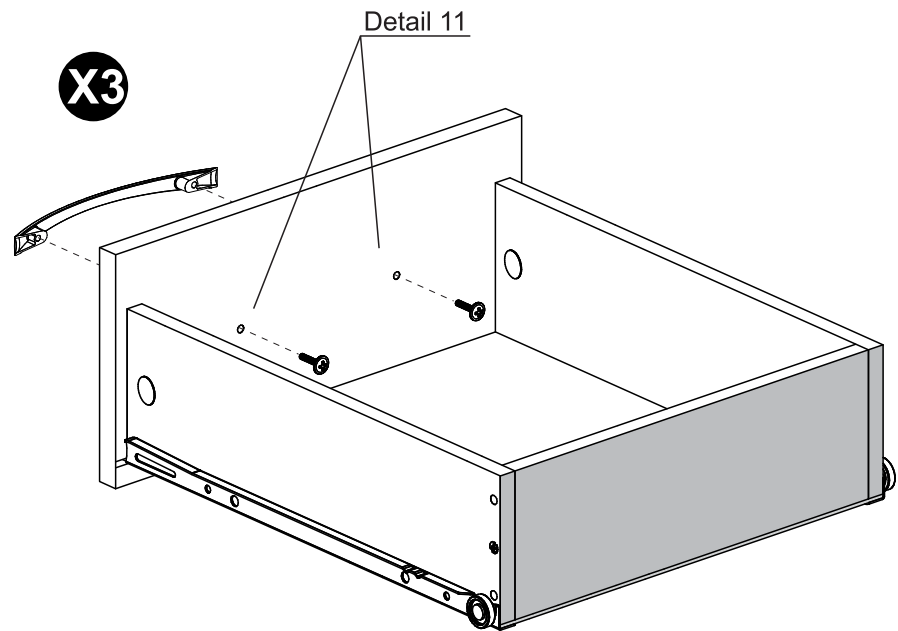
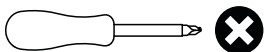
PARTS REQUIRED



HARDWARE REQUIRED

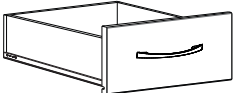
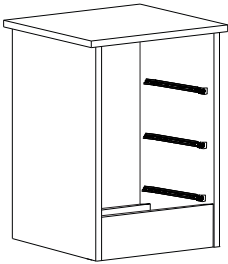


TOOLS REQUIRED



STEP 19

PARTS REQUIRED

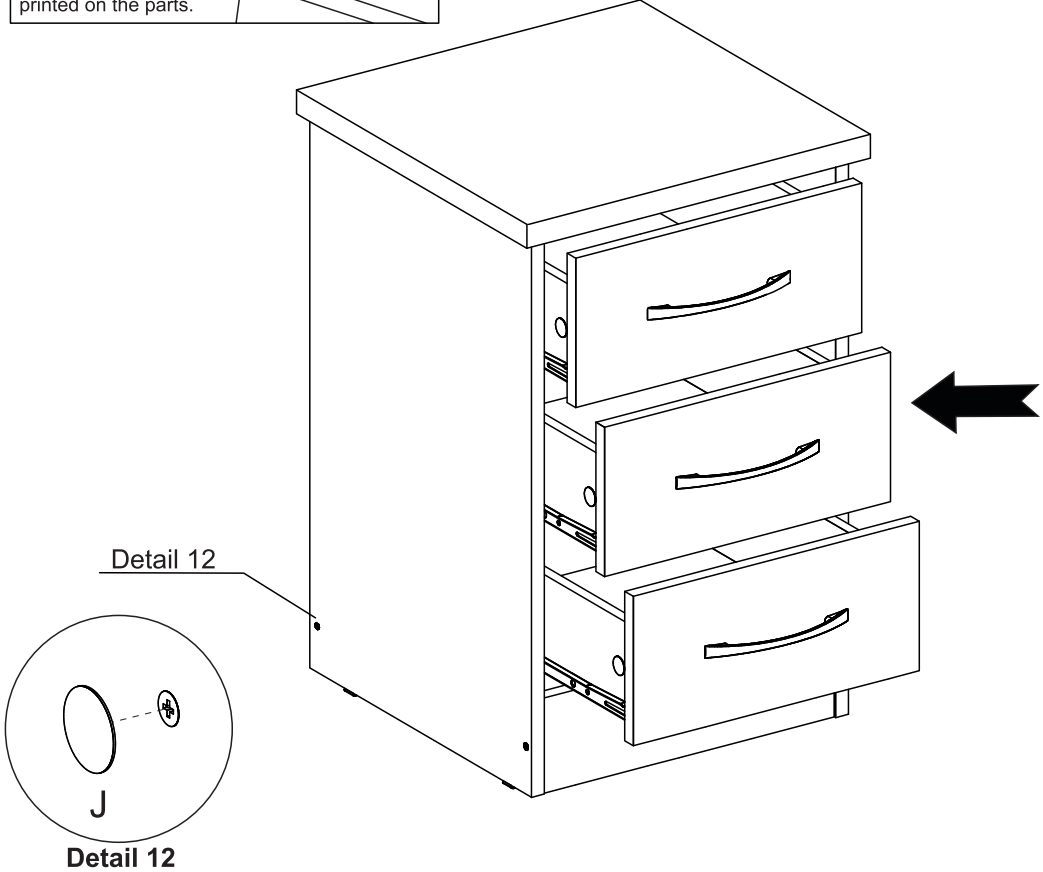


HARDWARE REQUIRED



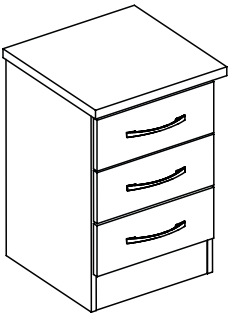
TOOLS REQUIRED

TIP
If desired, after assembly use an alcohol cleaner to erase the number printed on the parts.

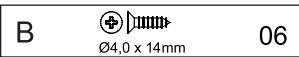


STEP 20

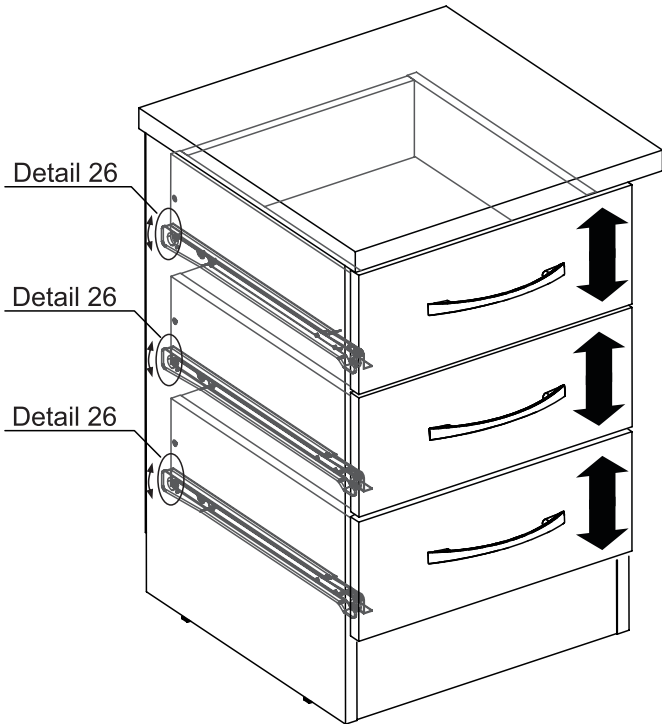
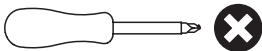
PARTS REQUIRED



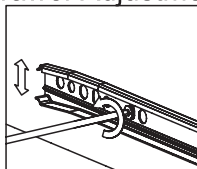
HARDWARE REQUIRED



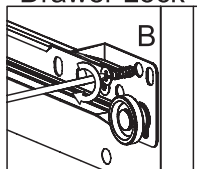
TOOLS REQUIRED



Drawer Adjustment



Drawer Lock



Detail 26