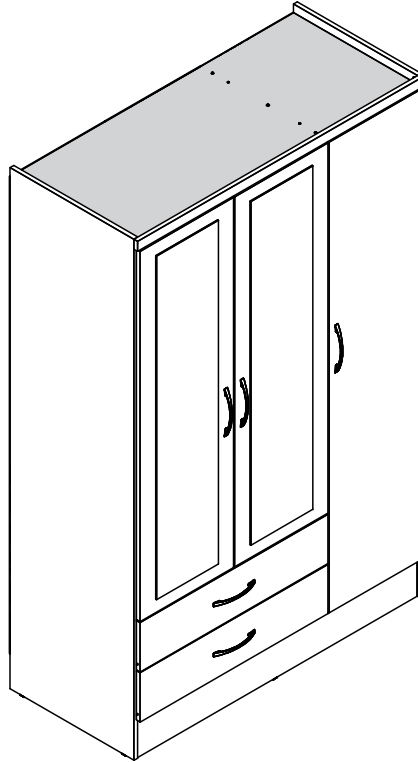


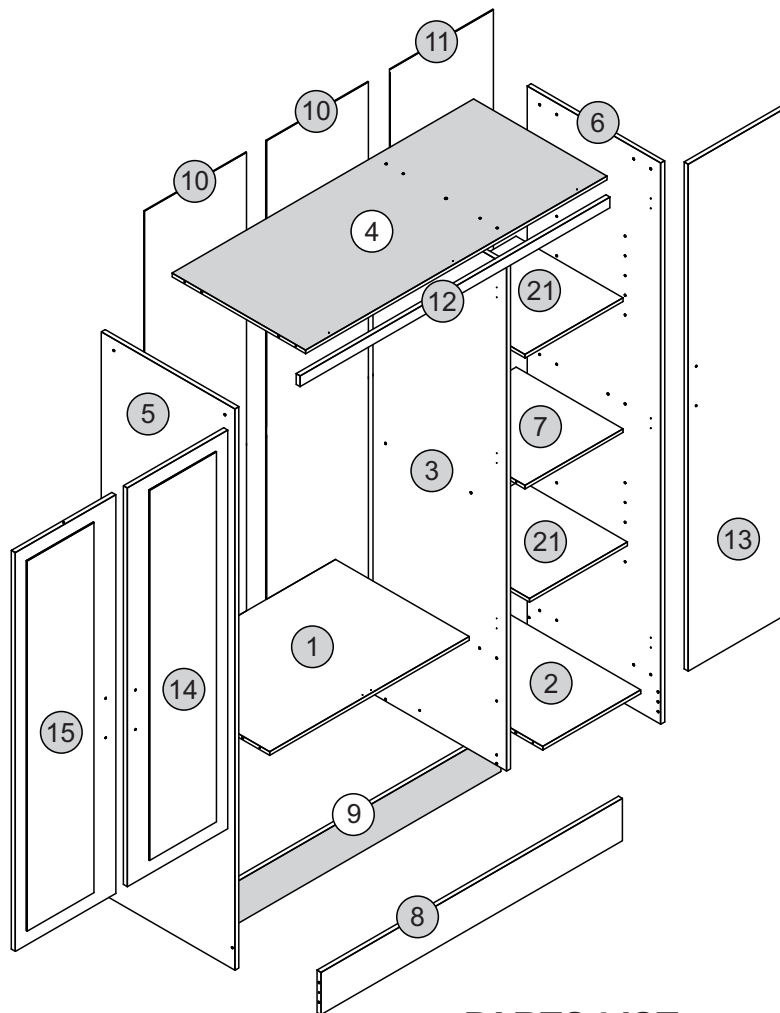
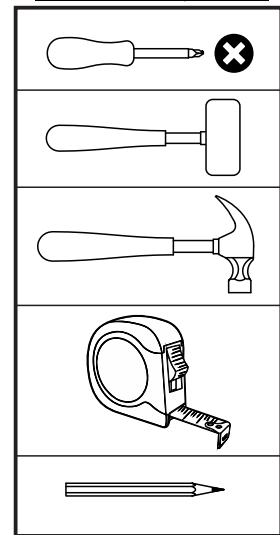
NEVADA 3 DOOR 2 DRAWER WARDROBE ASSEMBLY INSTRUCTIONS



IMPORTANT FOR DOMESTIC USE ONLY PLEASE READ BEFORE YOU CONTINUE FURTHER CARE AND MAINTENANCE

After unpacking this product please keep the original packaging in case it needs to be returned for any reason.

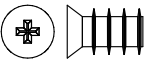
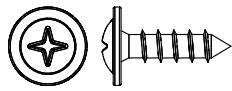
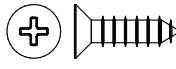
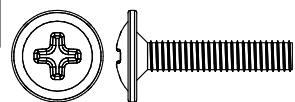
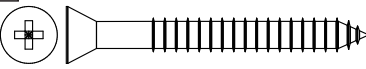
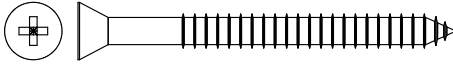
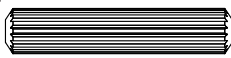

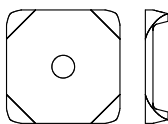
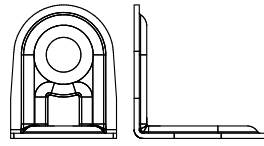
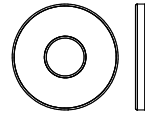
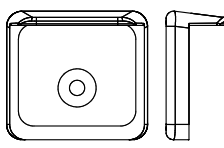
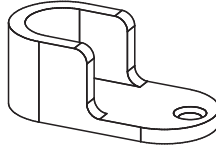
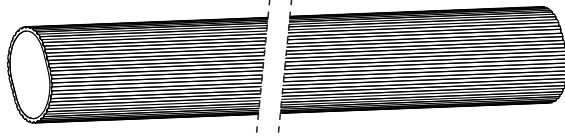
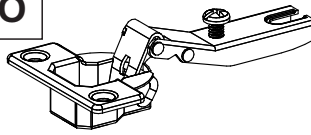
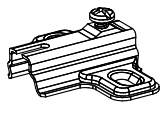
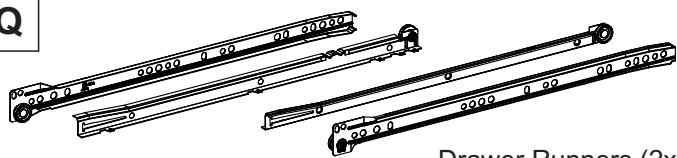
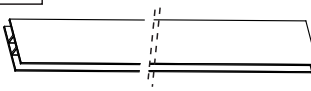



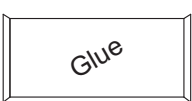
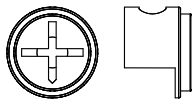
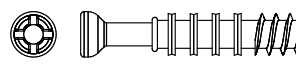
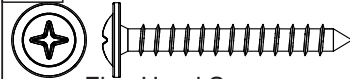
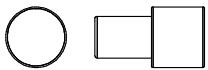
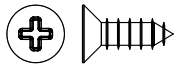
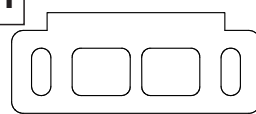
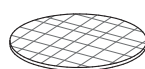
- Please ensure all fittings and parts are present before commencing with assembly.
- Never drag or push products as this could cause damage to the joints making it inferior.
- We strongly recommend that you keep children away from your work area.
- We recommend that you lay a blanket or sheet on the floor to avoid damage to both your floor and the product.
- Assemble this product as close to its final position as possible.
- Do not place this product next to a radiator or in direct sunlight.
- Do not drag or push items across your high gloss furniture as this may cause the surface to scratch
- Wood is a natural product and may expand if subjected to damp and may shrink or crack if subjected to heat. Therefore it is recommended that room temperature is maintained, with no sudden temperature fluctuations.
- Make sure any spillage is wiped off immediately.
- Do not place hot or chilled items directly on to the surface, use a place mat or marking will occur.
- For general cleaning use a soft cotton or micro fibre cloth, and do not use detergents of any kind.
- From time to time it may be necessary to tighten fittings, regular inspections should be carried out.
- Do not place on a wet or damp floor as staining may occur to your floor.

**TOOLS REQUIRED****PARTS LIST*****Please Note:***

The below parts have all been stamped with the part number to help identify them during assembly.


Part Number	Part Description	Quantity	Carton
01	Large Base Panel	1	2/3
02	Small Base Panel	1	2/3
03	Division Panel	1	1/3
04	Top Panel	1	2/3
05	Left Side Panel	1	1/3
06	Right Side Panel	1	1/3
07	Shelf	1	2/3
08	Front Baseboard	1	2/3
09	Back Baseboard	1	2/3
10	Small Back Panel	2	3/3
11	Large Back Panel	1	3/3
12	Frame	1	1/3
13	Large Door	1	3/3
14	Right Small Door	1	3/3
15	Left Small Door	1	3/3
16	Drawer Side	4	2/3
17	Drawer Back Panel	2	2/3
18	Drawer Front	2	2/3
19	Drawer Bottom	2	1/3
20	Drawer Bottom Support Bar	2	2/3
21	Movable Shelf	2	2/3

FITTINGS LIST

<p>A</p>  <p>Flat Head Screw Ø6,0 x 10mm (8x)</p> <p>1/+</p>	<p>B</p>  <p>Flan Head Screw Ø4,0 x 14mm (9x)</p> <p>1/+</p>	<p>C</p>  <p>Flat Head Screw Ø4,0 x 14mm (52x)</p> <p>2/+</p>	<p>D</p>  <p>Flan Head Screw Ø4,0 x 20mm (10x)</p> <p>2/+</p>
<p>E</p>  <p>Flat Head Screw Ø3,5 x 40mm (4x)</p> <p>1/+</p>	<p>F</p>  <p>Flat Head Screw Ø4,0 x 50mm (26x)</p> <p>2/+</p>	<p>G</p>  <p>2/+ Dowel Ø6,0 x 30mm (46x)</p>	
<p>H</p>  <p>Nail 10 x 10 (88x)</p> <p>2/+</p>	<p>I</p>  <p>Back Panel Bracket (16x)</p> <p>2/+</p>	<p>J</p>  <p>'L' Metallic Support (7x)</p> <p>1/+</p>	<p>K</p>  <p>Washer (4x)</p> <p>1/+</p>
<p>L</p>  <p>Plastic Foot (6x)</p> <p>1/+</p>	<p>M</p>  <p>Hanging Rail Support (2x)</p>	<p>N</p>  <p>Hanging Rail (1x)</p>	
<p>O</p>  <p>Hinge (9x)</p>	<p>P</p>  <p>Hinge Plate (9x)</p>	<p>Q</p>  <p>Drawer Runners (2x)</p>	
<p>R</p>  <p>Back Panel Strip (1x)</p>	<p>S</p>  <p>Strap (2x)</p>	<p>T</p>  <p>Handle (5x)</p>	<p>U</p>  <p>Hole Plugs (14x)</p> <p>4/+</p>
<p>V</p>  <p>Glue (2x)</p>	<p>W</p>  <p>Cam Nut (4x)</p> <p>1/+</p>	<p>X</p>  <p>Cam Bolt (4x)</p> <p>1/+</p>	<p>Y</p>  <p>Flan Head Screw Ø3,5 x 30mm (2x)</p> <p>1/+</p>
<p>Z</p>  <p>Support Pin (8x)</p> <p>1/+</p>	<p>A1</p>  <p>Flat Head Screw Ø4,0 x 12mm (18x)</p> <p>2/+</p>	<p>B1</p>  <p>Door Support (2x)</p>	<p>C1</p>  <p>Hole Plugs (08x)</p> <p>4/+</p>

TIPS FOR FITTINGS CAM-LOCKS


WHEN FITTING CAM NUT. ENSURE STARTING POSITION IS CORRECT BEFORE YOU INSERT CONNECTING CAM BOLT TURN CLOCKWISE UNTIL SECURE



✓

↑

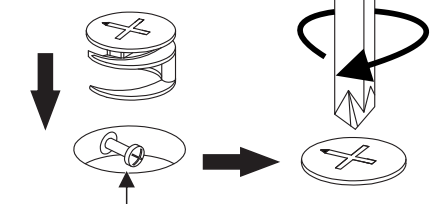
CORRECT



✗

↑

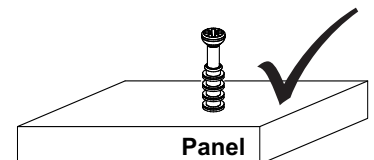
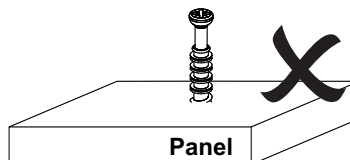
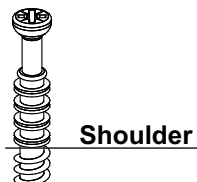
WRONG



Cam bolt head needs to be in centre

CAMBOLT

Tighten until shoulder is flush with panel. Do not overtighten or undertighten (see example beside)




STEP 1

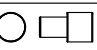
PARTS REQUIRED

3 - DIVISION PANEL x1

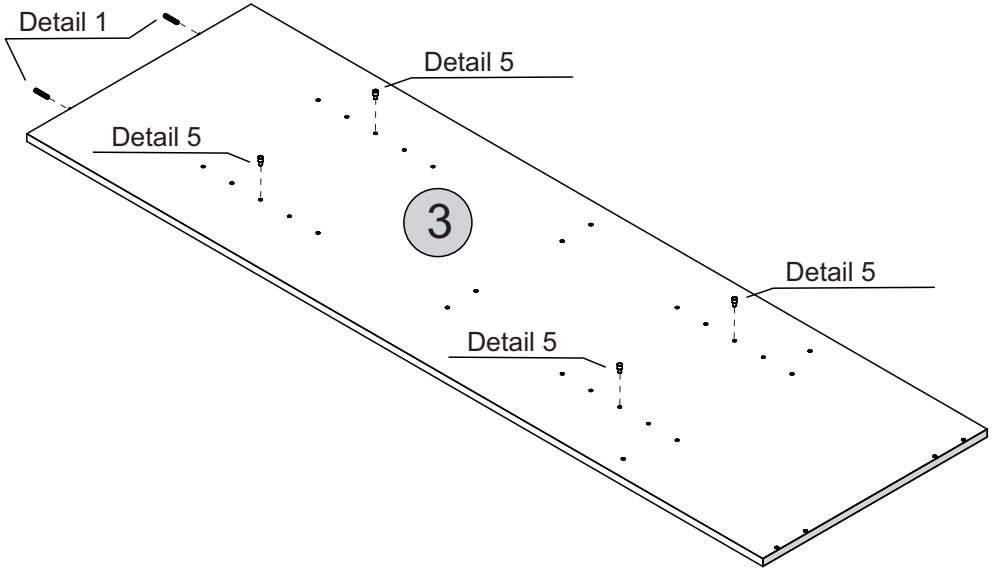
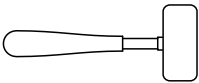
HARDWARE REQUIRED

G  02
Ø6,0 x 30mm

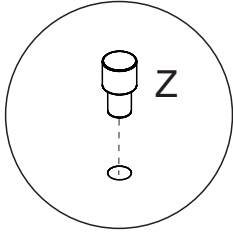
V  01
Glue

Z  04

TOOLS REQUIRED



Detail 1




Detail 5

STEP 2

PARTS REQUIRED

3 - DIVISION PANEL x1

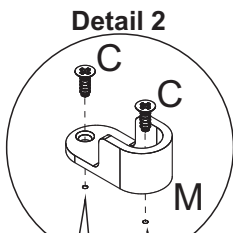
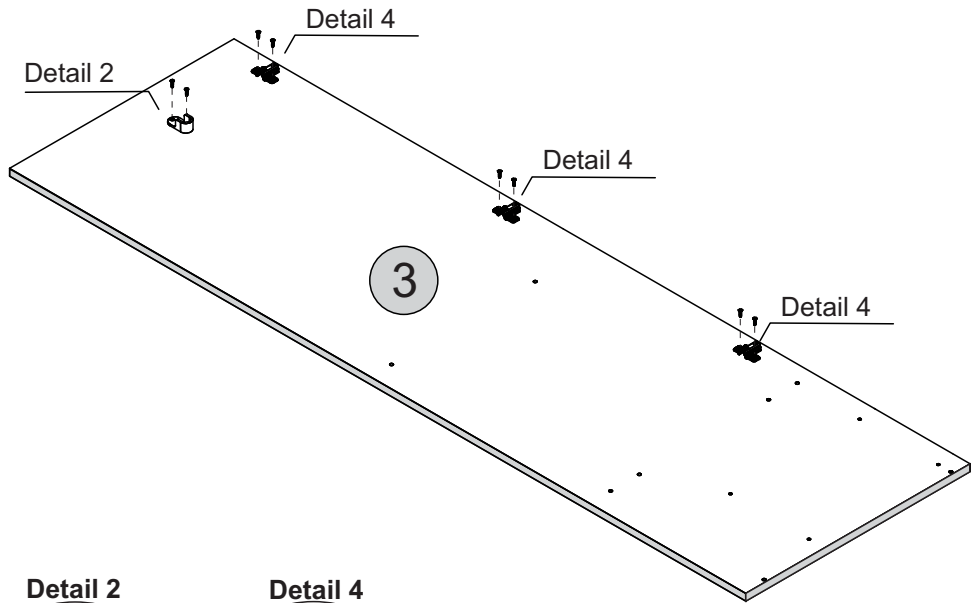
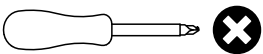
HARDWARE REQUIRED

C  08
Ø4,0 x 14mm

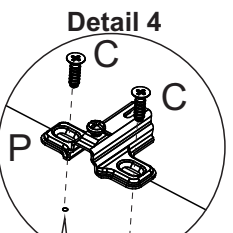
M  01

P  03

TOOLS REQUIRED



Please note:
Pre-marked
Holes



Please note:
Pre-marked
Holes

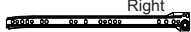
STEP 3

PARTS REQUIRED

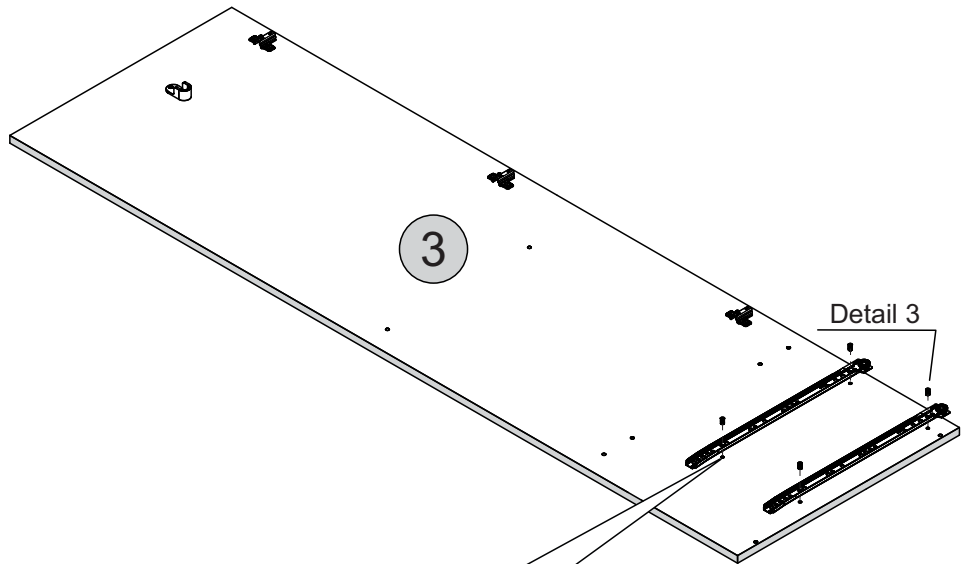
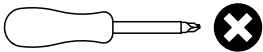
3 - DIVISION PANEL x1

HARDWARE REQUIRED

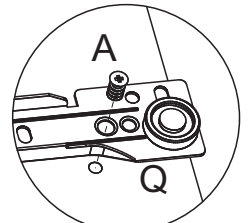
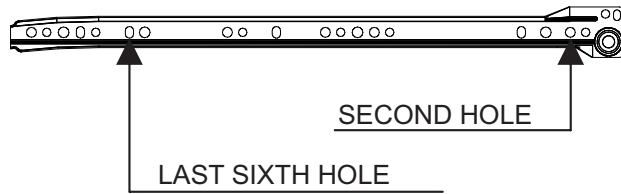
A  04
Ø6,0 x 10mm

Q  02
Right

TOOLS REQUIRED



PLEASE NOTE
PRE-DRILLED
HOLES.



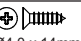
Detail 3

STEP 4

PARTS REQUIRED

5 - LEFT SIDE PANEL x1

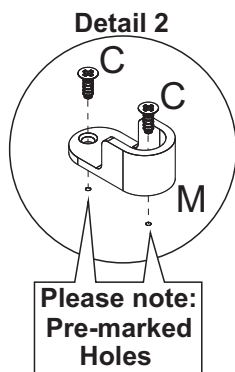
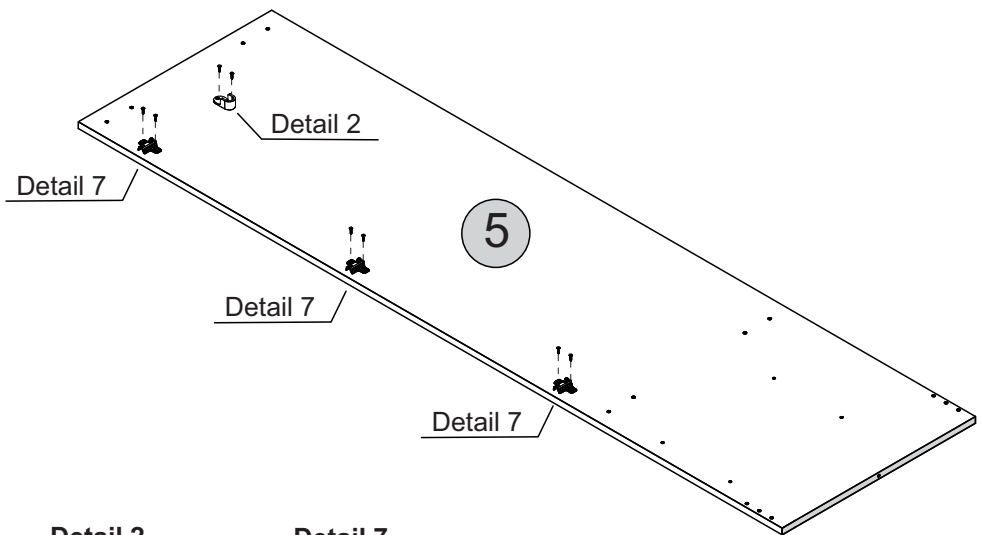
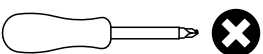
HARDWARE REQUIRED

C  08
Ø4,0 x 14mm

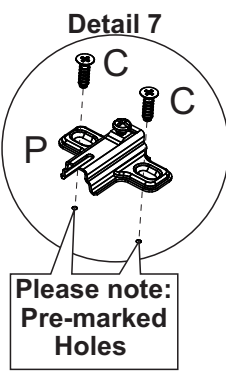
M  01

P  03

TOOLS REQUIRED



Please note:
Pre-marked
Holes



Please note:
Pre-marked
Holes

STEP 5


PARTS REQUIRED


5 - LEFT SIDE PANEL x1

HARDWARE REQUIRED

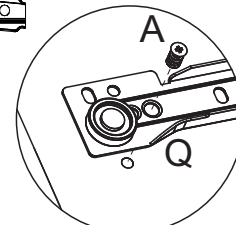
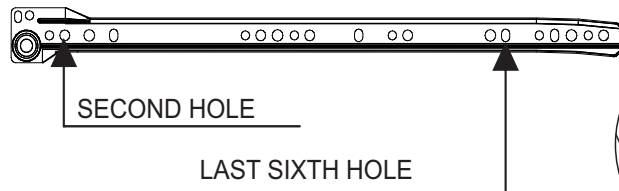
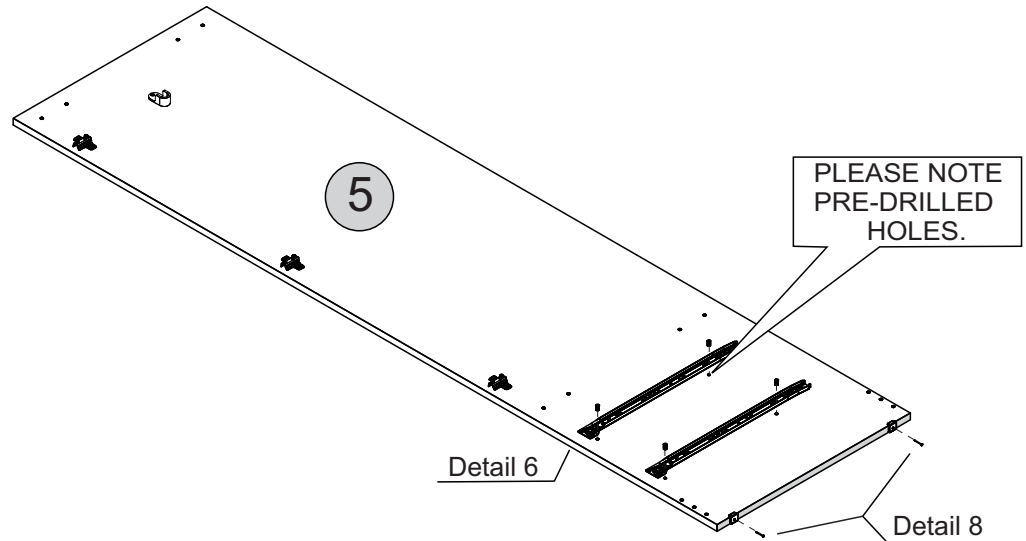
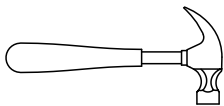
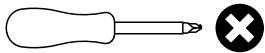
A  04
Ø6,0 x 10mm

H  02

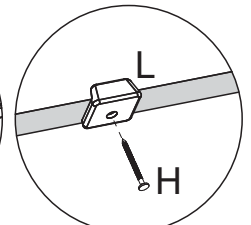
L  02

Q  02

TOOLS REQUIRED



Detail 6



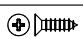
Detail 8

STEP 6

PARTS REQUIRED

6 - RIGHT SIDE PANEL x1

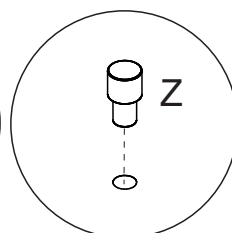
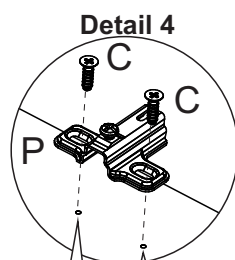
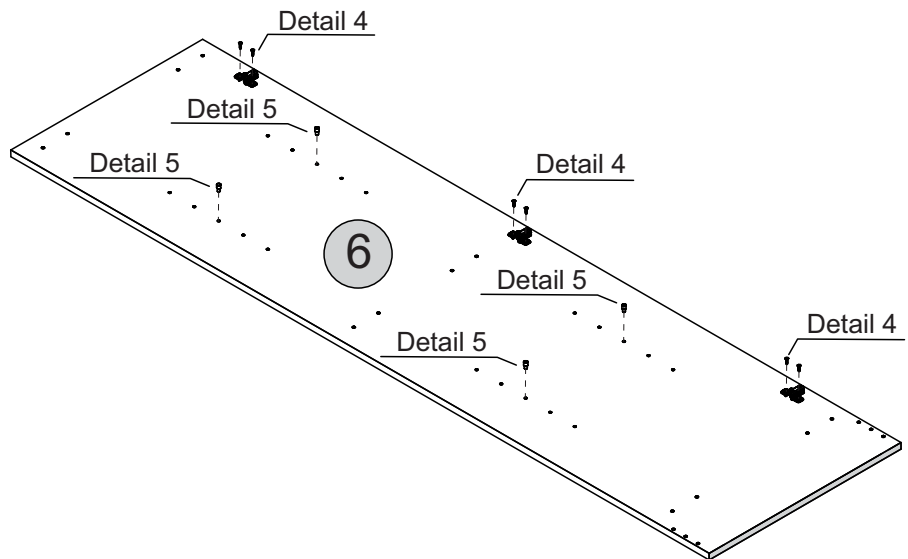
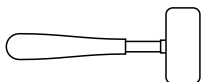
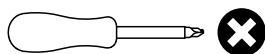
HARDWARE REQUIRED

C  06
Ø4,0 x 14mm

P  03

Z  04

TOOLS REQUIRED



Detail 5





Please note:
Pre-marked
Holes

STEP 7

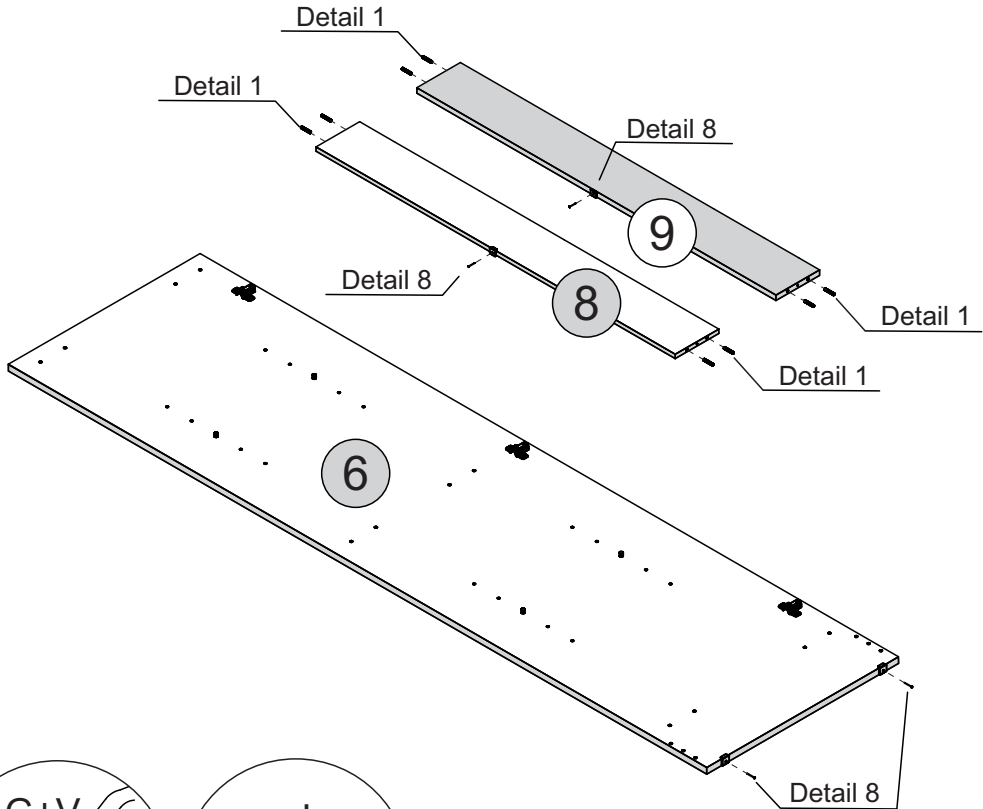
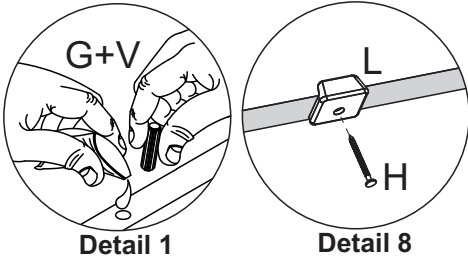
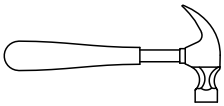
PARTS REQUIRED

- 6 - RIGHT SIDE PANEL x1
- 8 - FRONT BASEBOARD x1
- 9 - BACK BASEBOARD x1

HARDWARE REQUIRED

- G  08
Ø6,0 x 30mm
- H  04
- L  04
- V  01

TOOLS REQUIRED





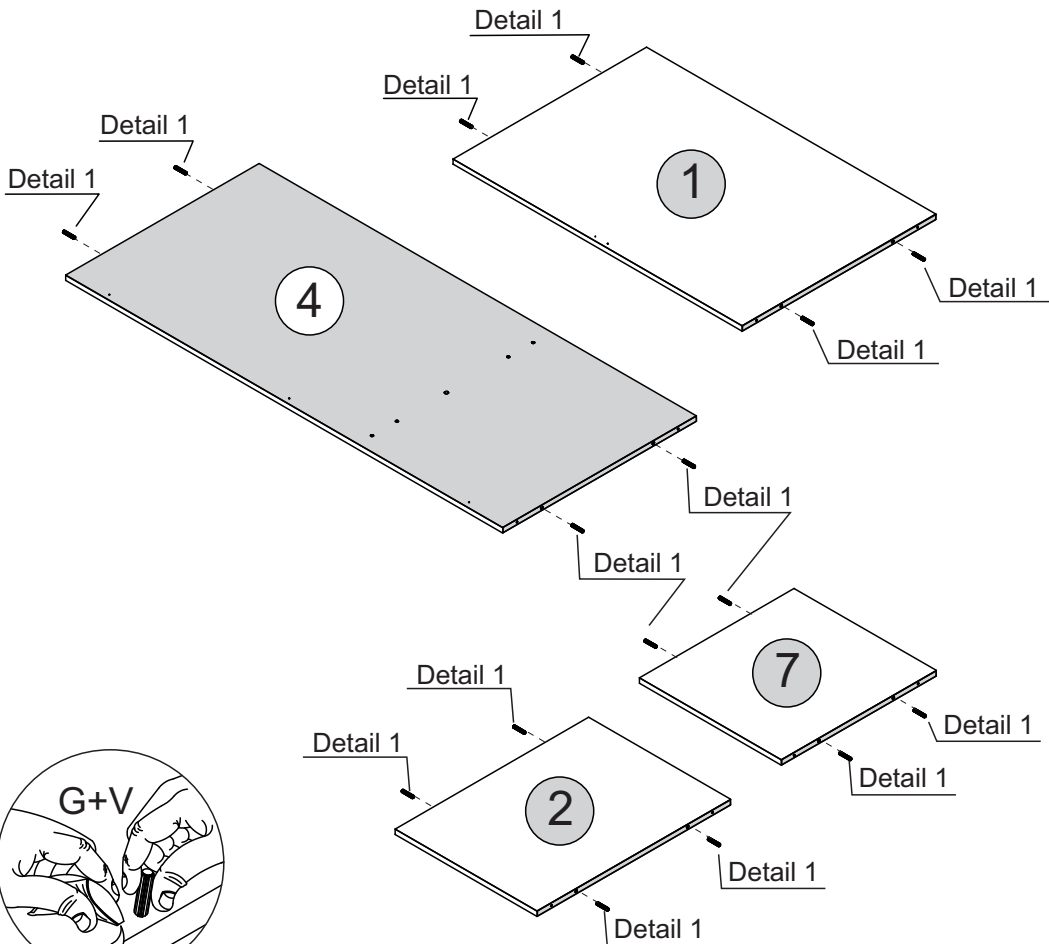
STEP 8

PARTS REQUIRED

- 1 - LARGE BASE PANEL x1
- 2 - SMALL BASE PANEL x1
- 4 - TOP PANEL x1
- 7 - SHELF x1

HARDWARE REQUIRED

- G  16
Ø6,0 x 30mm
- V  01



STEP 9

PARTS REQUIRED

1 - LARGE BASE PANEL x1

4 - TOP PANEL x1

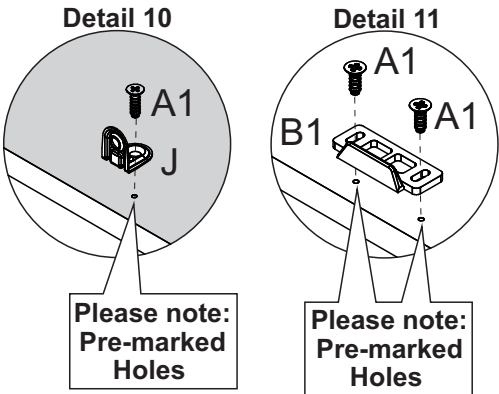
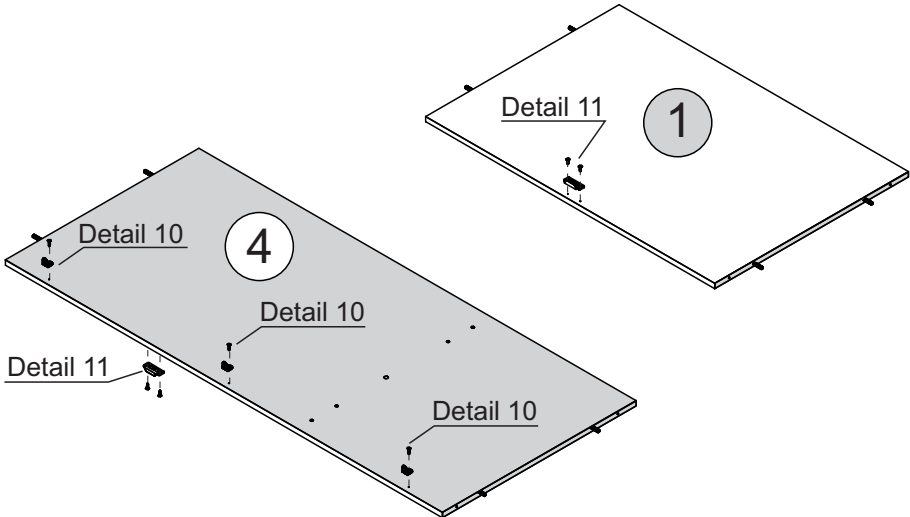
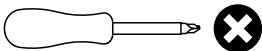
HARDWARE REQUIRED

A1  07
Ø4,0 x 12mm

B1  02

J  03

TOOLS REQUIRED



STEP 10

PARTS REQUIRED

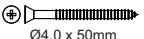
1 - LARGE BASE PANEL x1

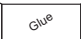
2 - SMALL BASE PANEL x1

3 - DIVISION PANEL x1

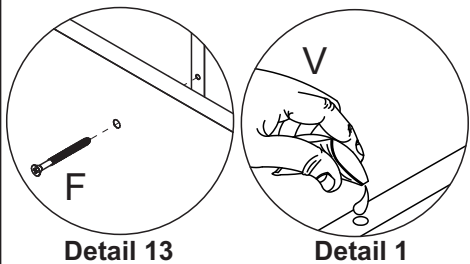
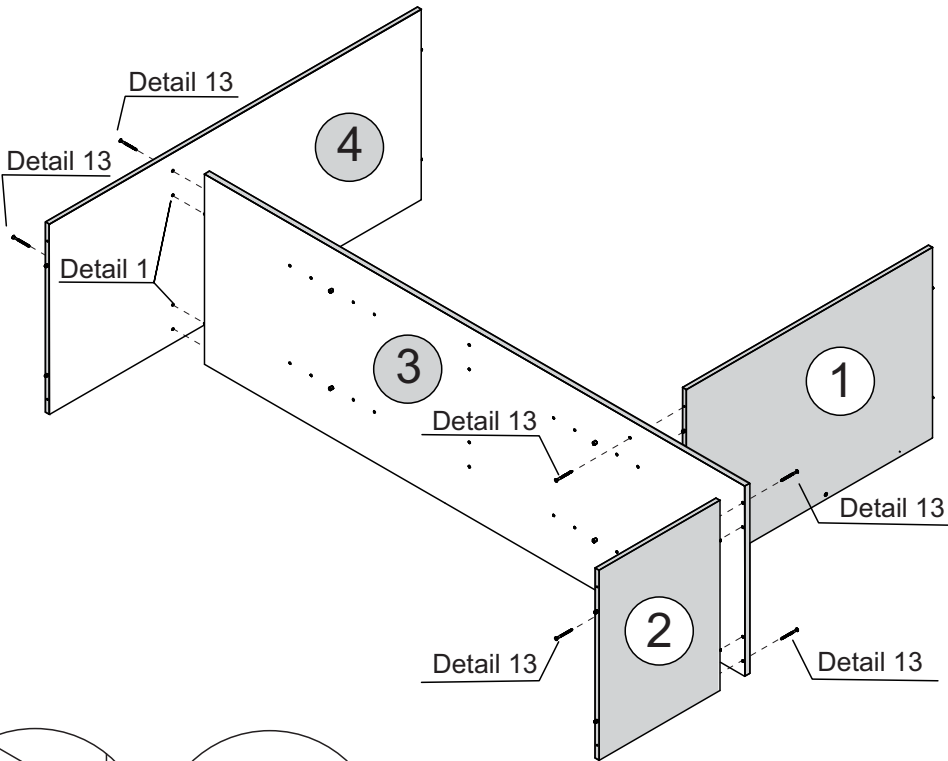
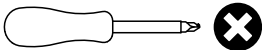
4 - TOP PANEL x1

HARDWARE REQUIRED

F  06
Ø4,0 x 50mm

V  01

TOOLS REQUIRED

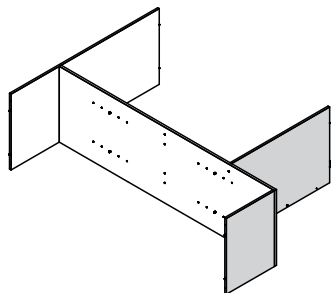


STEP 11


SEC/AY/06/21/CA5

PARTS REQUIRED

5 - LEFT SIDE PANEL x1

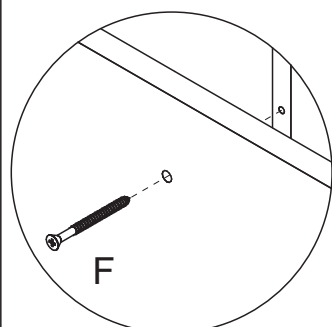
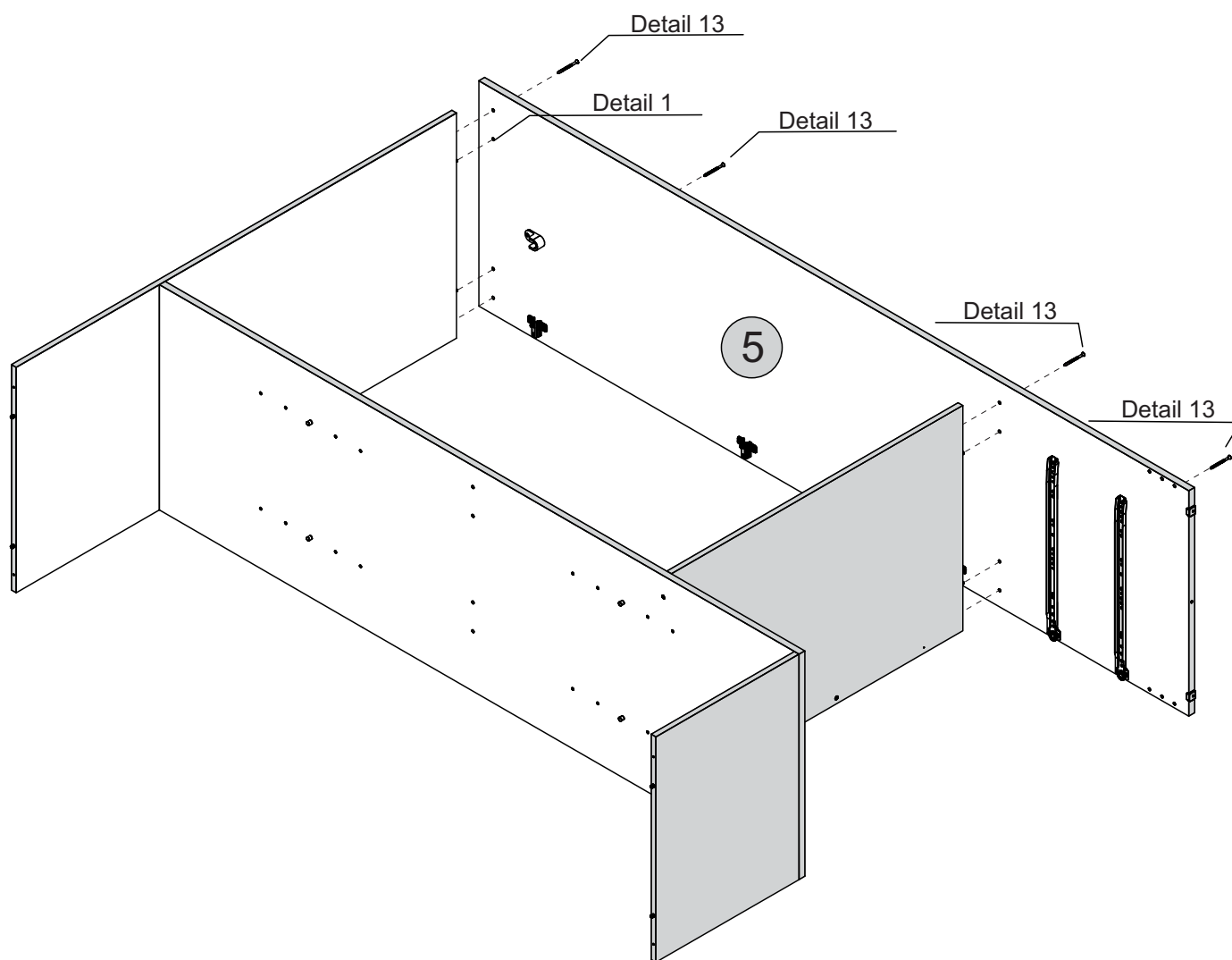
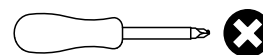


HARDWARE REQUIRED

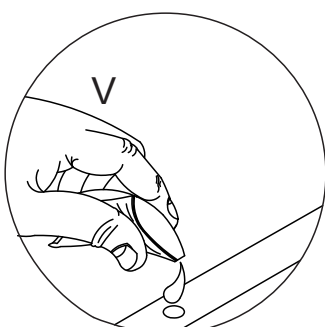
F  Ø4,0 x 50mm 04

V  01

TOOLS REQUIRED



Detail 13

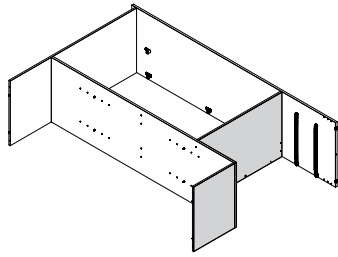


Detail 1

STEP 12


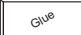
SEC/AY/06/21/CA5

PARTS REQUIRED

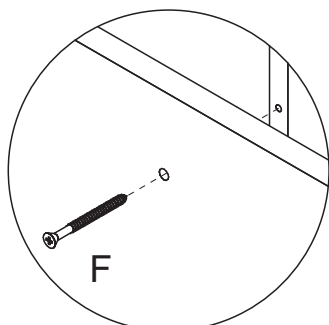
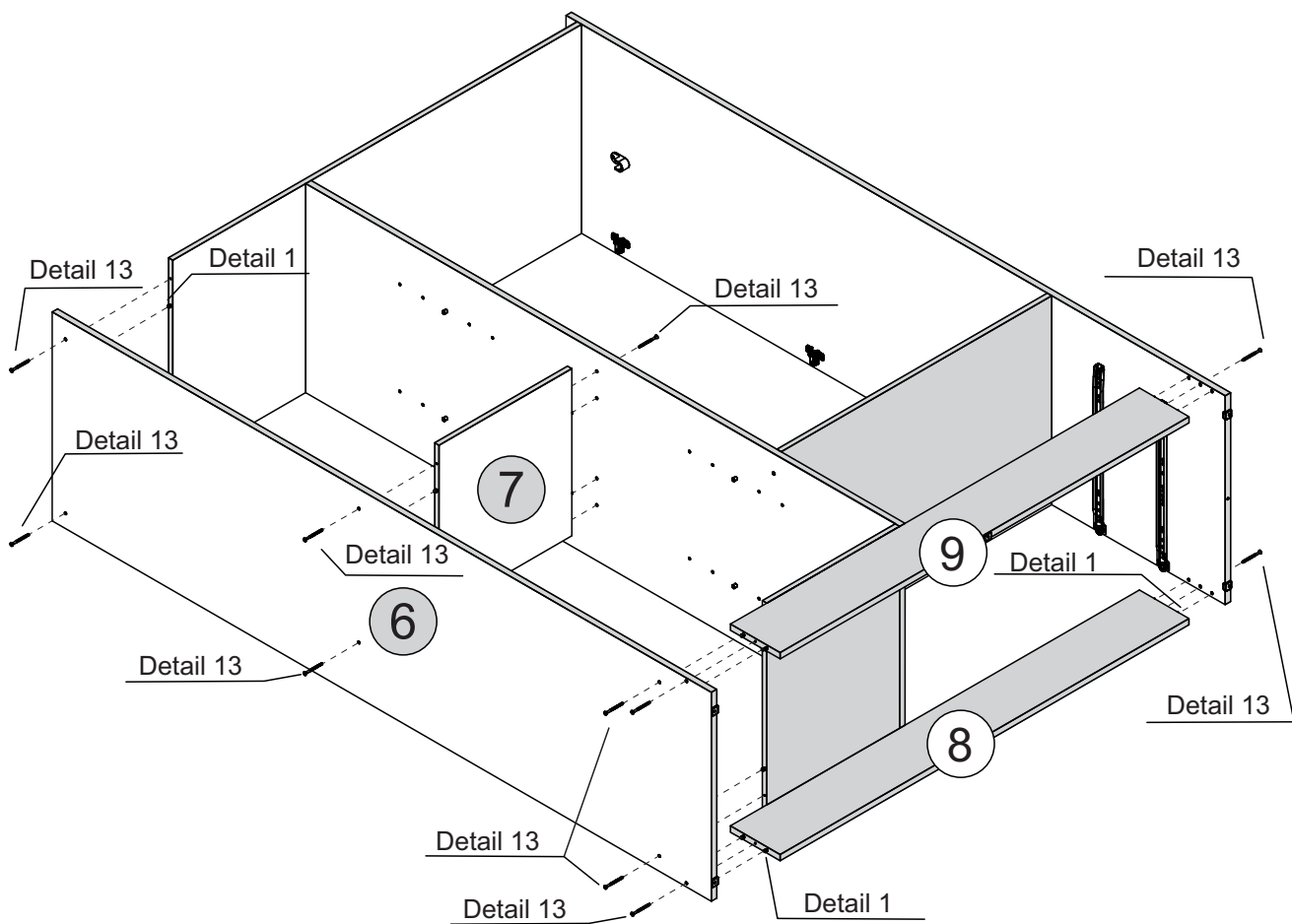
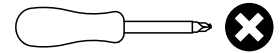


6 - RIGHT SIDE PANEL	x1
7 - SHELF	x1
8 - FRONT BASEBOARD	x1
9 - BACK BASEBOARD	x1

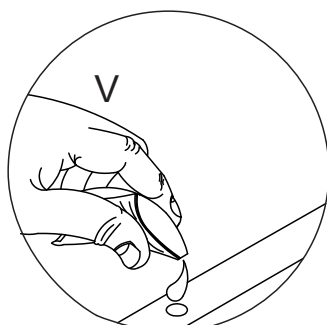
HARDWARE REQUIRED

F	 Ø4,0 x 50mm	12
V	 Glue	01

TOOLS REQUIRED



Detail 13



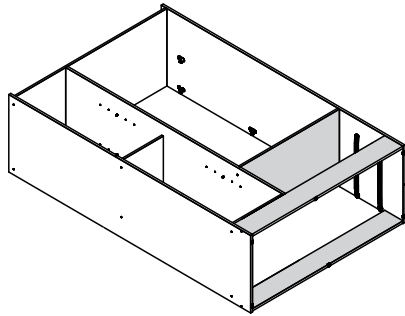
Detail 1

STEP 13

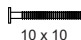
PARTS REQUIRED


10 - SMALL BACK PANEL x2

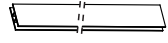
11 - LARGE BACK PANEL x1



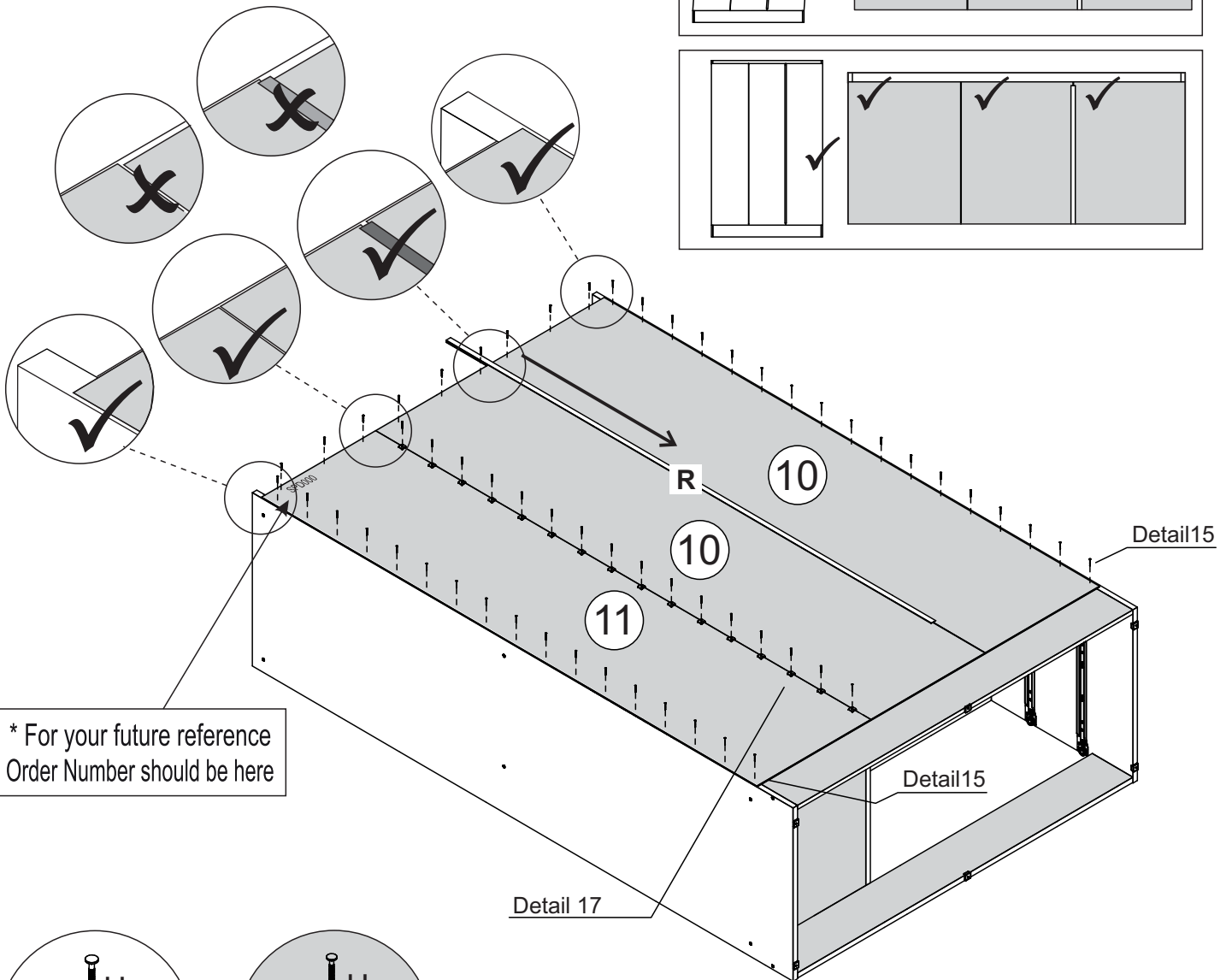
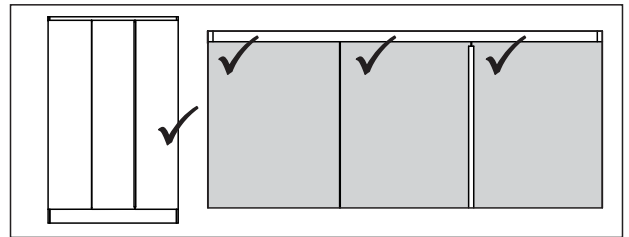
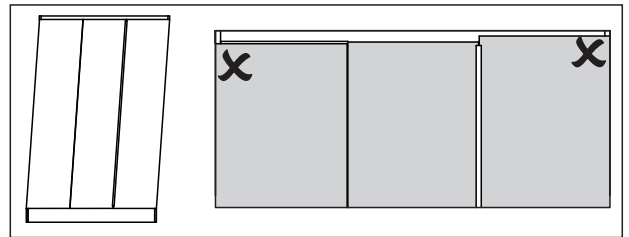
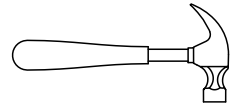
HARDWARE REQUIRED

H  10 x 10 59

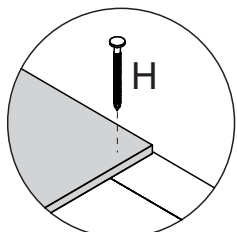
I  16

R  01

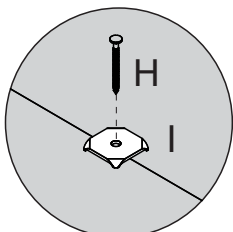
TOOLS REQUIRED



* For your future reference
Order Number should be here



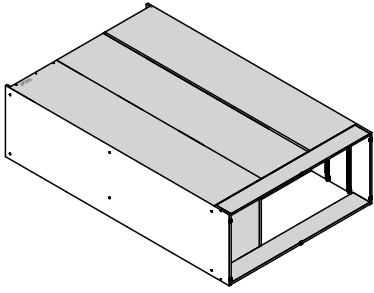
Detail 15




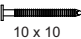
Detail 17

STEP 14

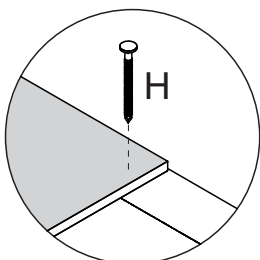
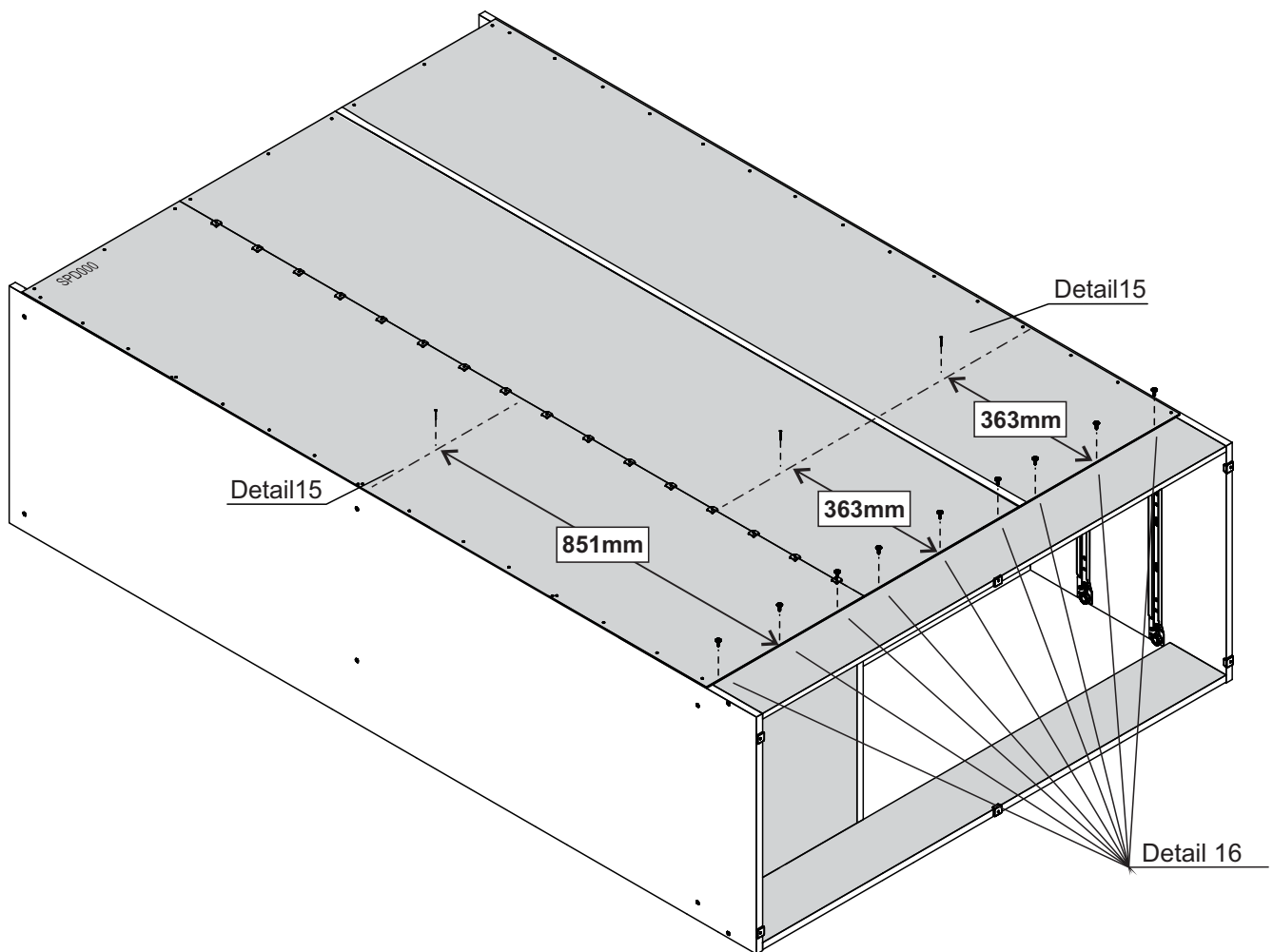
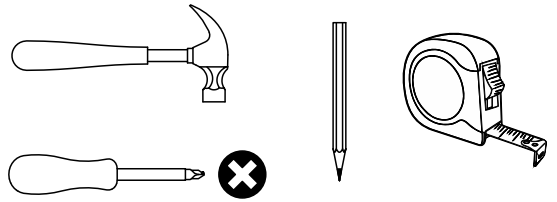
PARTS REQUIRED



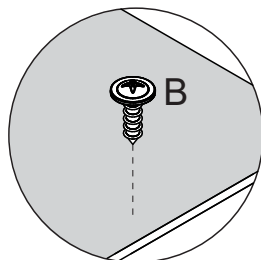
HARDWARE REQUIRED

B	 09 Ø4.0 x 14mm
H	 03 10 x 10

TOOLS REQUIRED



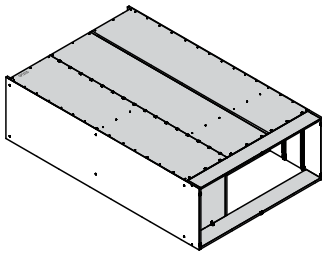
Detail 15



Detail 16

STEP 15

PARTS REQUIRED

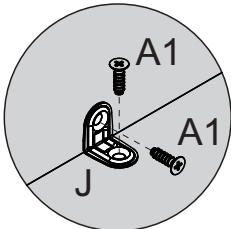
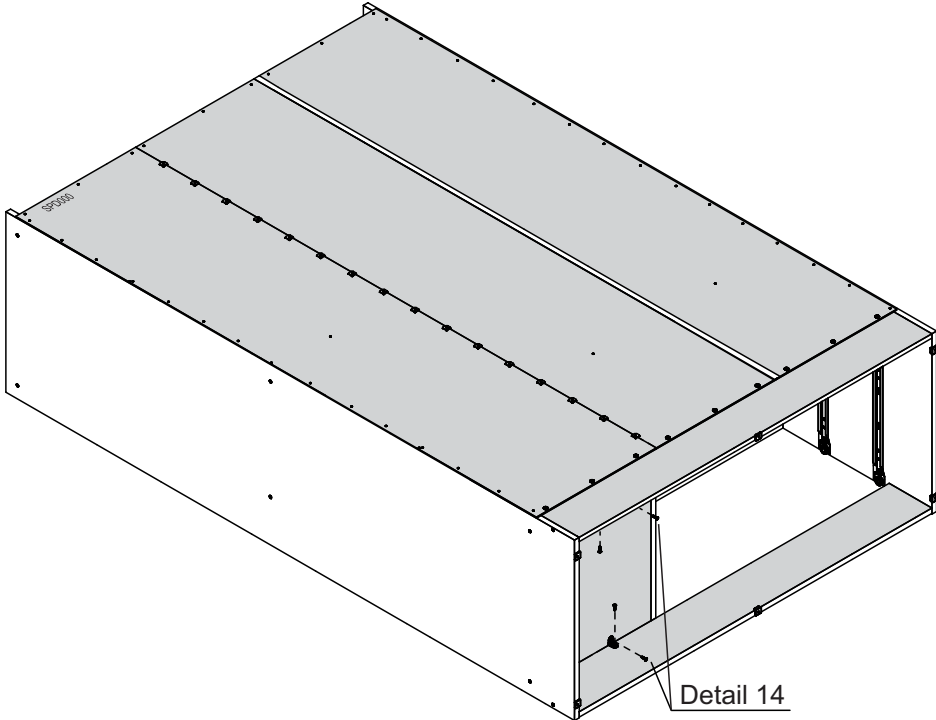
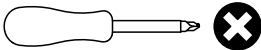


HARDWARE REQUIRED

A1  04
Ø4.0 x 12mm

J  02

TOOLS REQUIRED

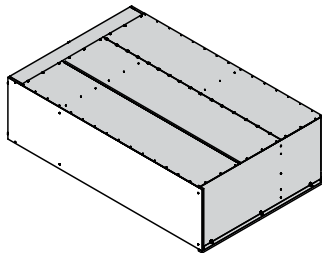


Detail 14


STEP 16


PARTS REQUIRED

12 - FRAME x1

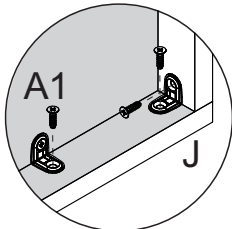
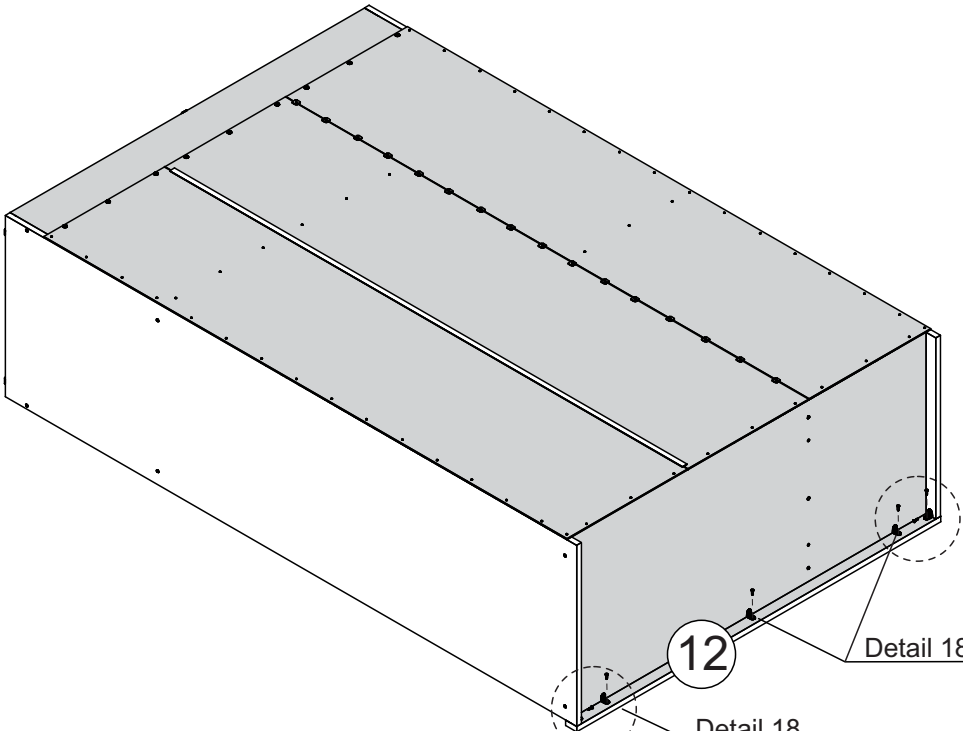
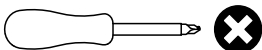


HARDWARE REQUIRED

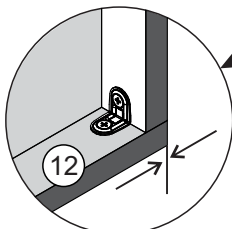
J  02

A1  07
Ø4.0 x 12mm

TOOLS REQUIRED



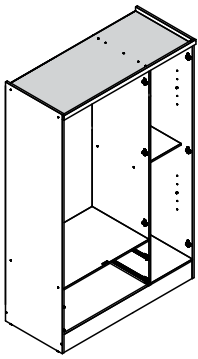
Detail 18




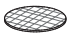
Align corners

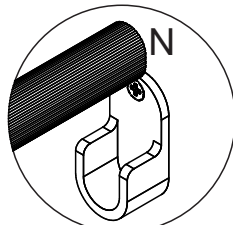
STEP 17

PARTS REQUIRED

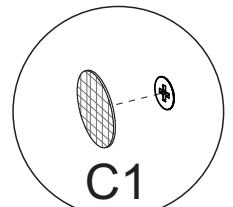
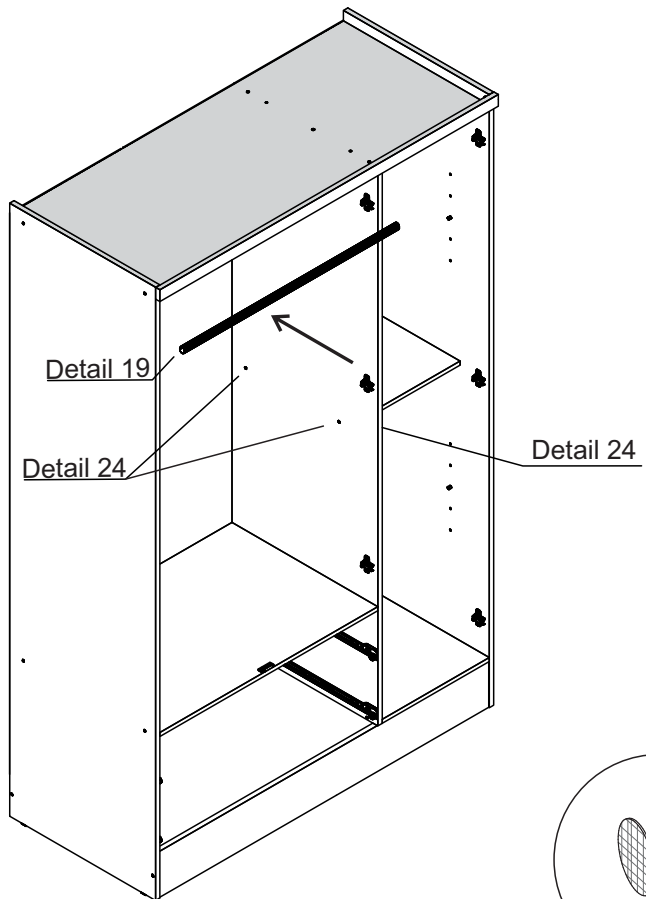


HARDWARE REQUIRED

N		01
C1		04



Detail 19





Detail 24

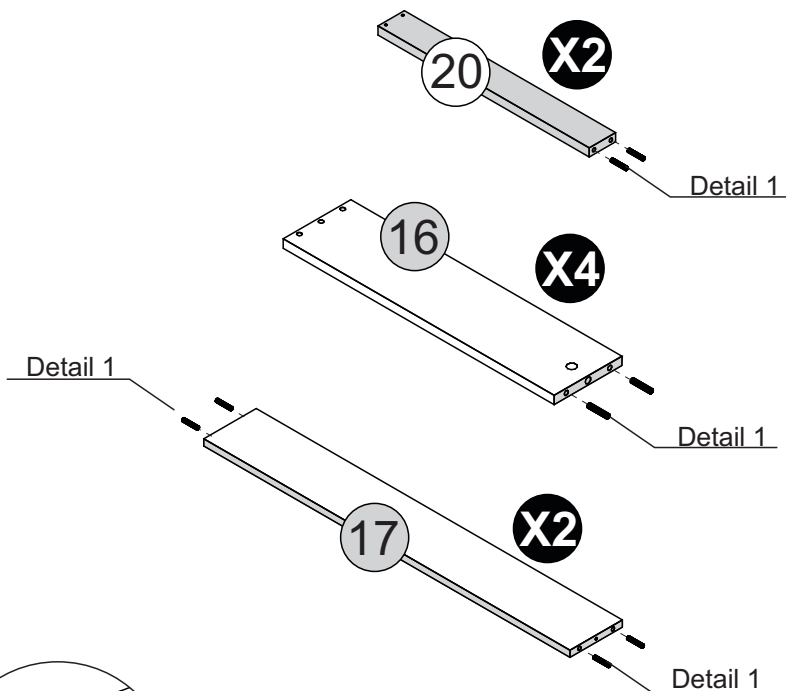
STEP 18

PARTS REQUIRED

16 - DRAWER SIDE	x4
17 - DRAWER BACK PANEL	x2
20 - DRAWER BOTTOM SUPPORT BARx2	

HARDWARE REQUIRED

G		20
V		01




Detail 1

STEP 19

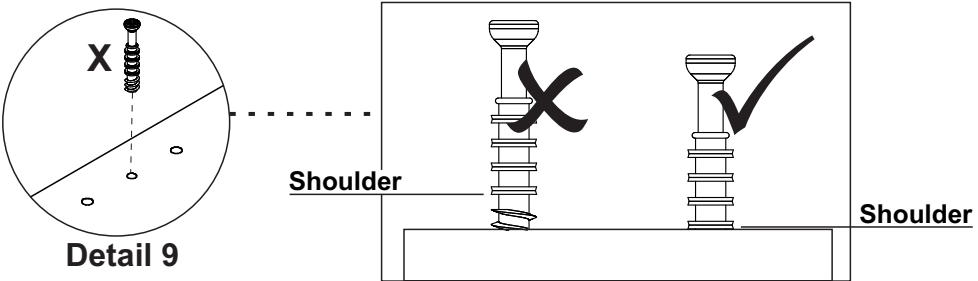
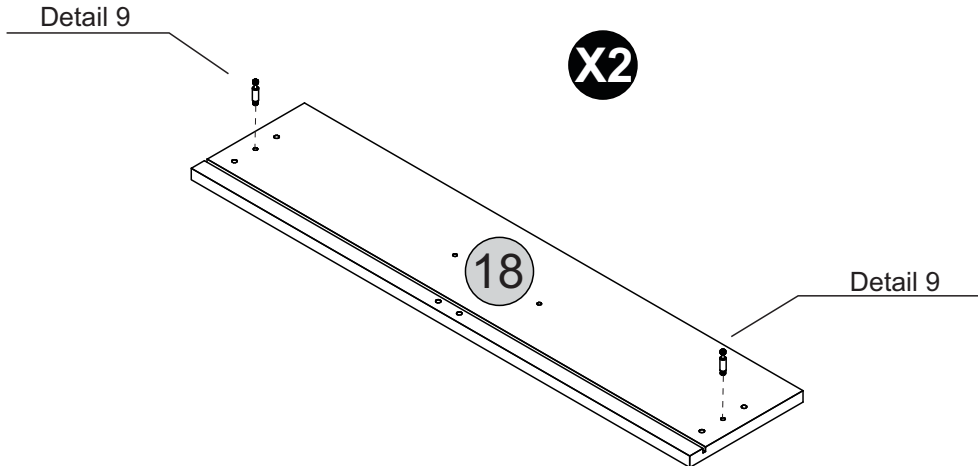
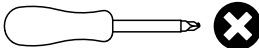
PARTS REQUIRED

18 - DRAWER FRONT x2

HARDWARE REQUIRED

X  04

TOOLS REQUIRED




STEP 20

PARTS REQUIRED

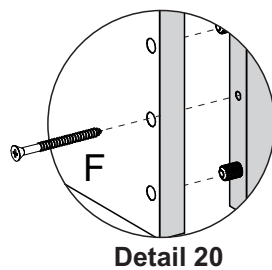
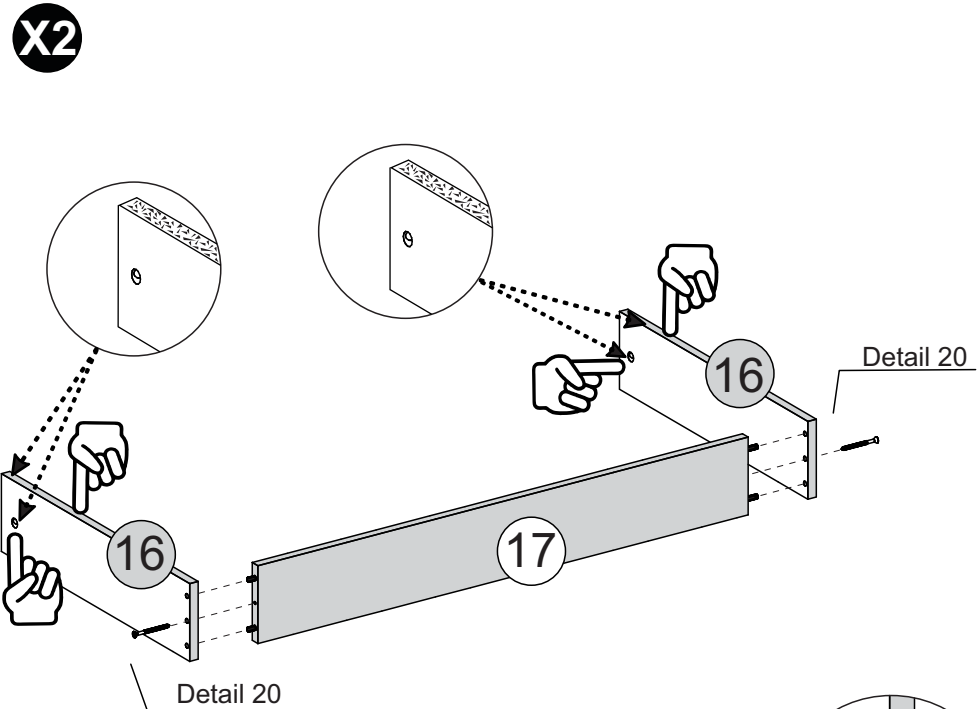
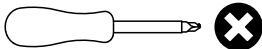
16 - DRAWER SIDE x4

17 - DRAWER BACK PANEL x2

HARDWARE REQUIRED

F  Ø4,0 x 50mm 04

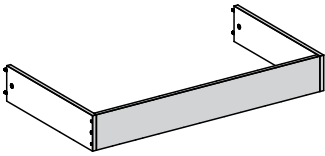
TOOLS REQUIRED



STEP 21

PARTS REQUIRED

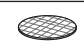
18 - DRAWER FRONT x2



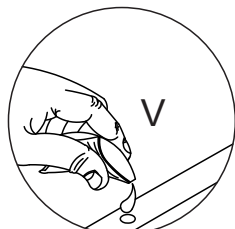
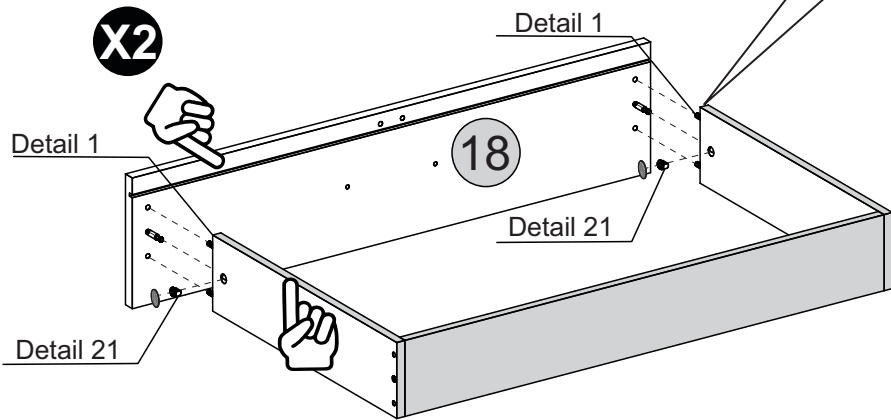
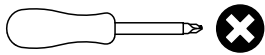
HARDWARE REQUIRED

V  01

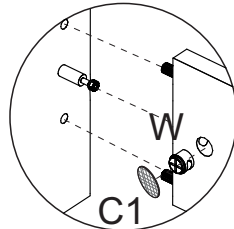
W  04

C1  04

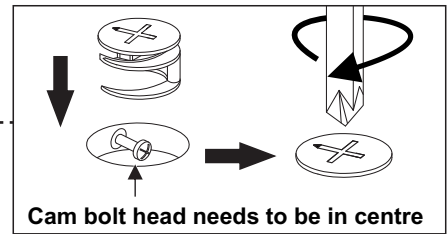
TOOLS REQUIRED



Detail 1



Detail 21

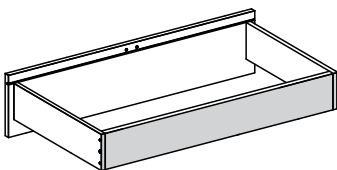


Cam bolt head needs to be in centre

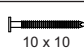
STEP 22

PARTS REQUIRED

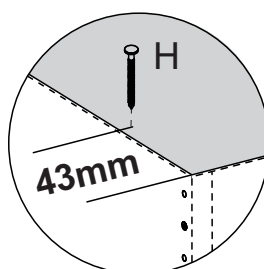
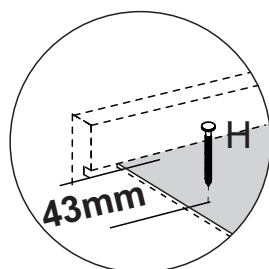
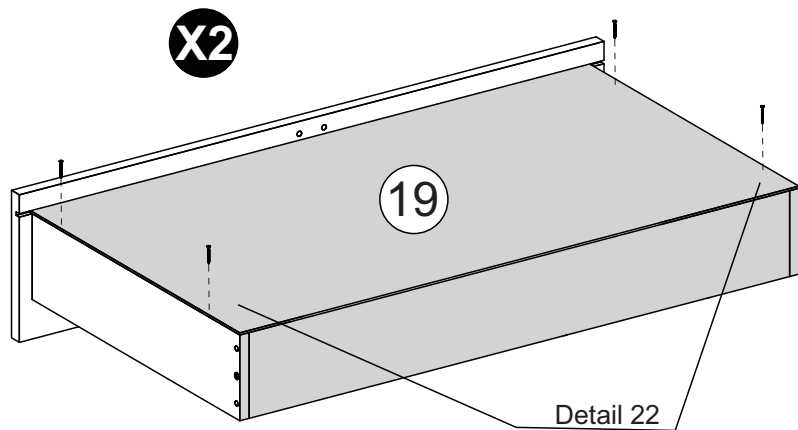
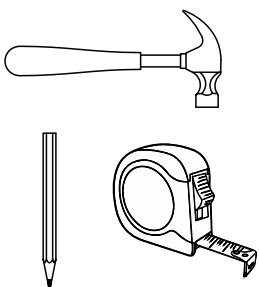
19 - DRAWER BOTTOM x2



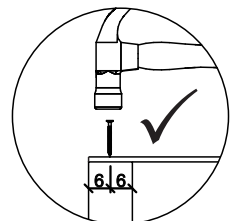
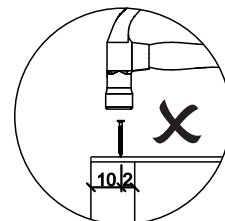
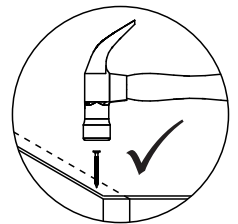
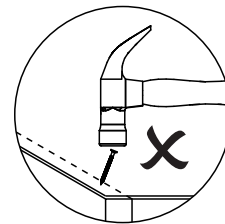
HARDWARE REQUIRED

H  10 x 10 08

TOOLS REQUIRED



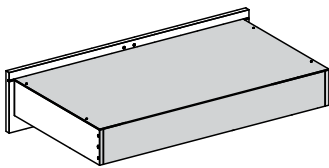
Detail 22



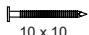
STEP 23


PARTS REQUIRED

20 - DRAWER BOTTOM SUPPORT BAR X2

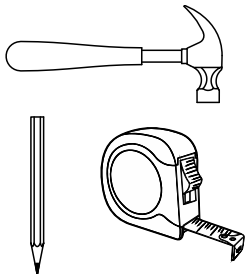


HARDWARE REQUIRED

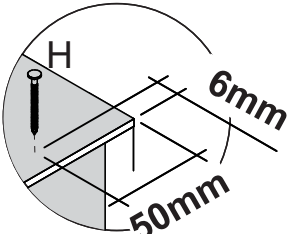
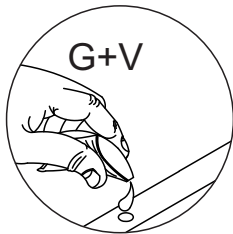
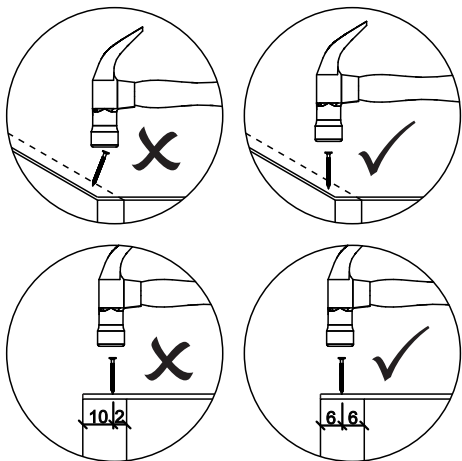
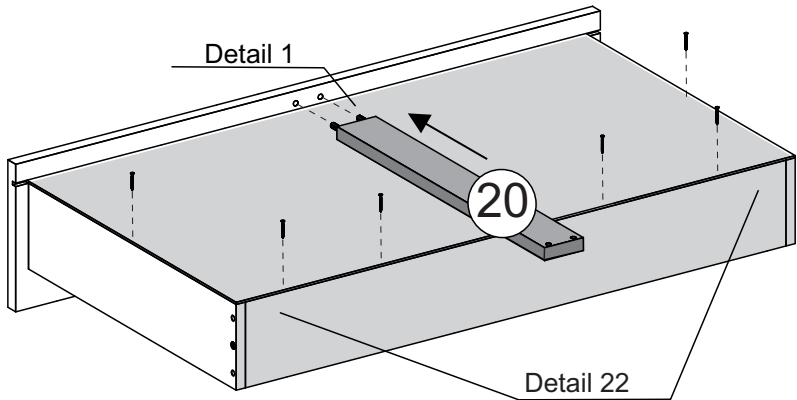
H  12
10 x 10

V  01
Glue

TOOLS REQUIRED



X2

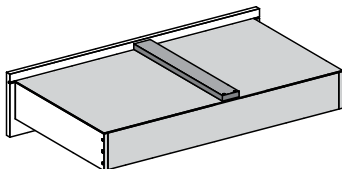


Detail 1

Detail 22

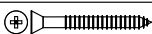
STEP 24

PARTS REQUIRED



HARDWARE REQUIRED

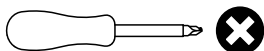
C  08
Ø4,0 x 14mm

E  04
Ø3,5 x 40mm

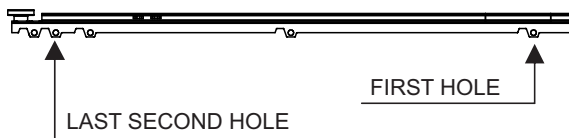
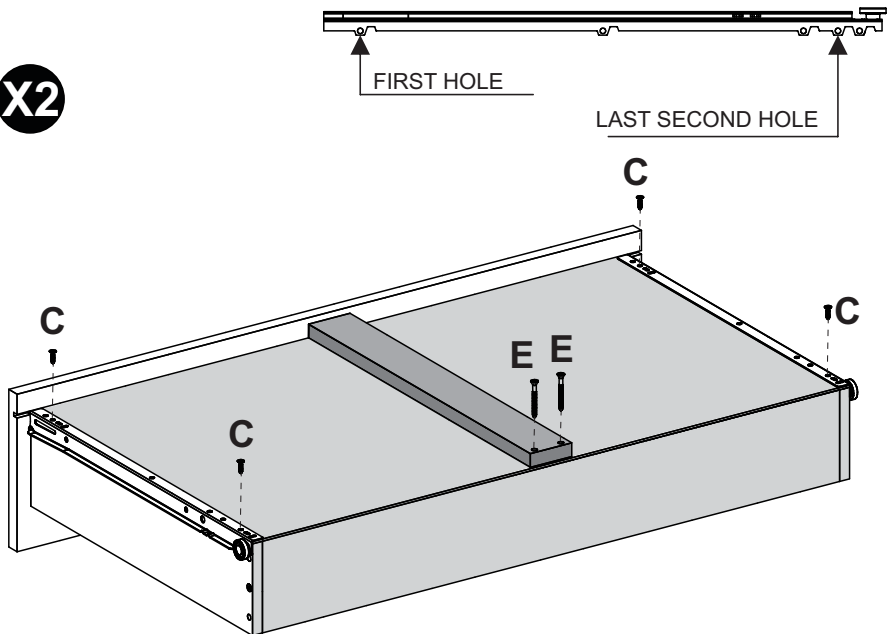
Q  02
LEFT

Q  02
RIGHT

TOOLS REQUIRED



X2

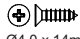



STEP 25

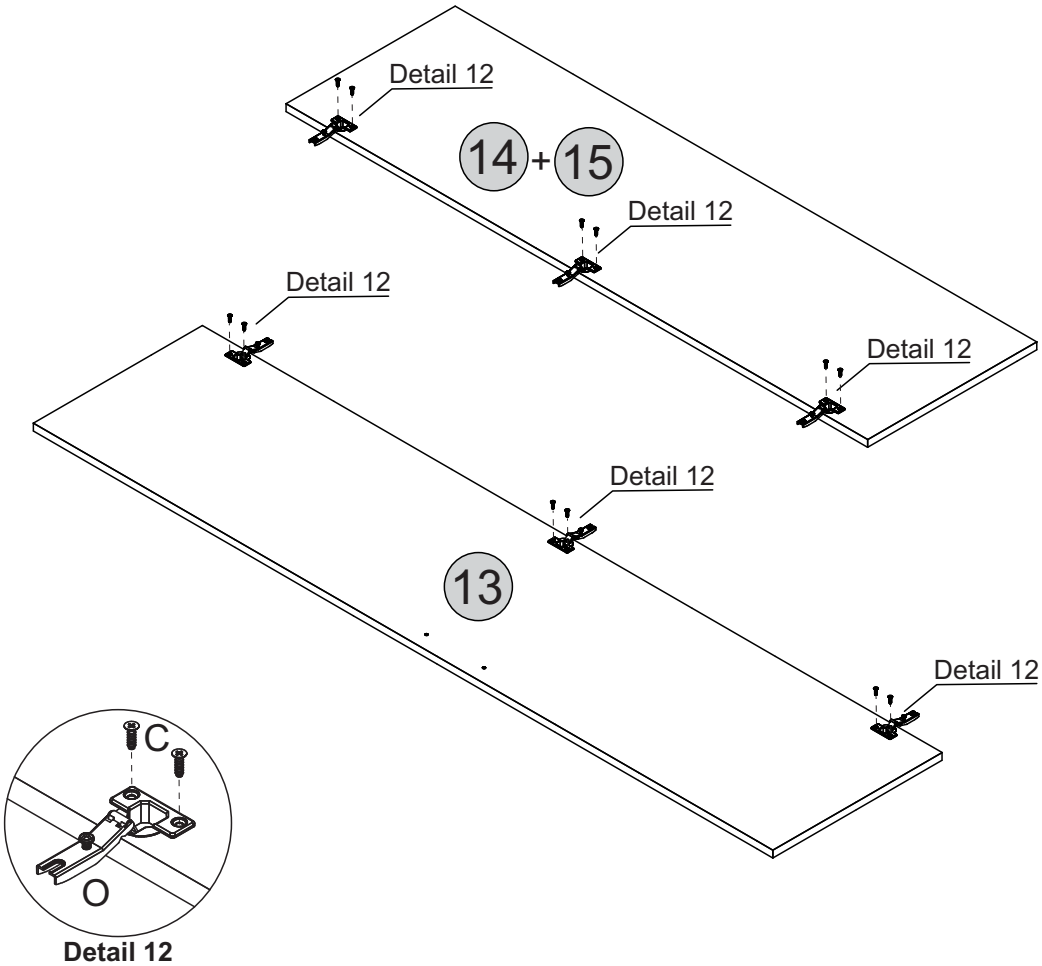
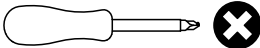
PARTS REQUIRED

- 13 - LARGE DOOR x1
- 14 - RIGHT SMALL DOOR x1
- 15 - LEFT SMALL DOOR x1

HARDWARE REQUIRED

- C  18
Ø4,0 x 14mm
- O  09

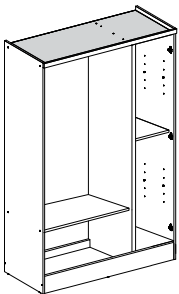
TOOLS REQUIRED




STEP 26

PARTS REQUIRED

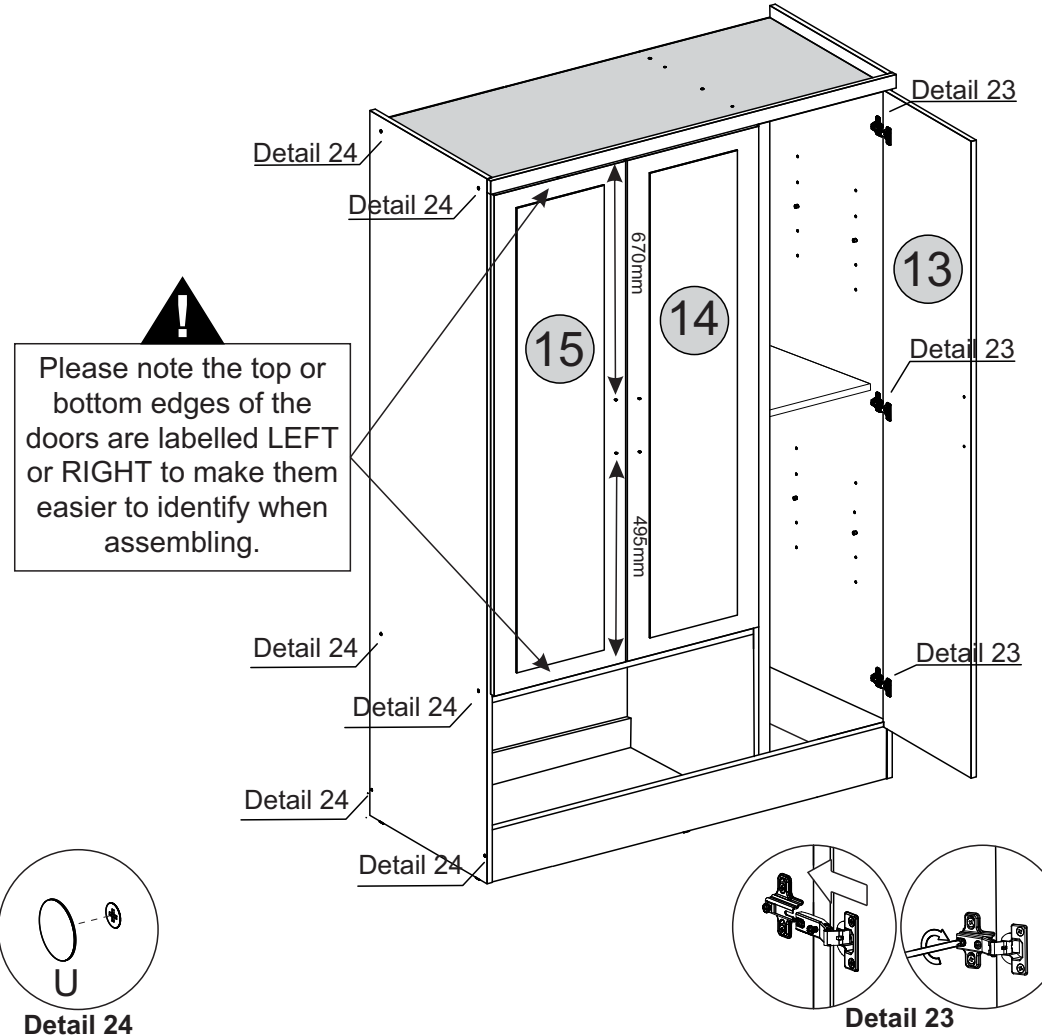
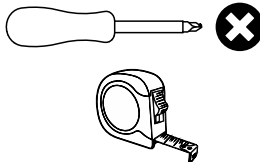
- 13 - LARGE DOOR x1
- 14 - RIGHT SMALL DOOR x1
- 15 - LEFT SMALL DOOR x1



HARDWARE REQUIRED

- U  14

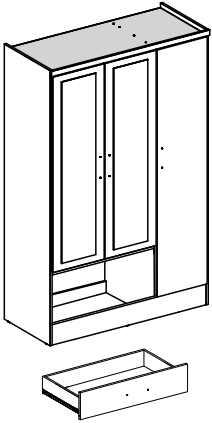
TOOLS REQUIRED



STEP 27

PARTS REQUIRED

21 - MOVEABLE SHELF x2

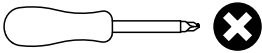


HARDWARE REQUIRED


D  10
Ø4,0 x 20mm

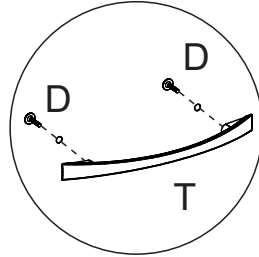
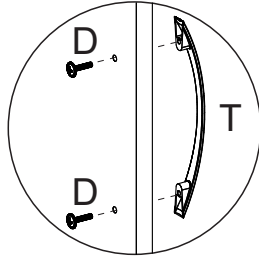
T  05

TOOLS REQUIRED



TIP
If desired, after assembly use an alcohol cleaner to erase the number printed on the parts.

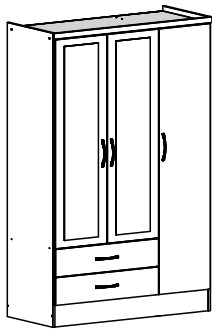
See the last page 



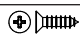
Detail 25

STEP 28

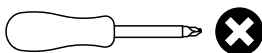
PARTS REQUIRED



HARDWARE REQUIRED

C  04
Ø4,0 x 14mm

TOOLS REQUIRED



Height Adjustment

Internal Adjustment

Depth Adjustment

Drawer Adjustment

Drawer Lock

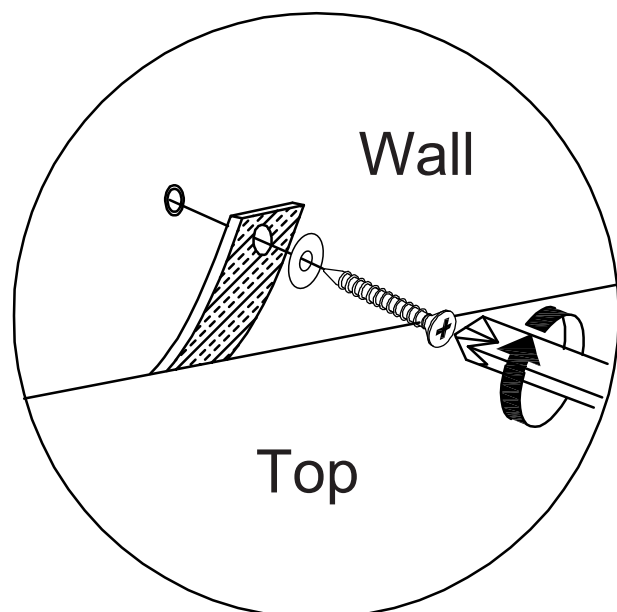
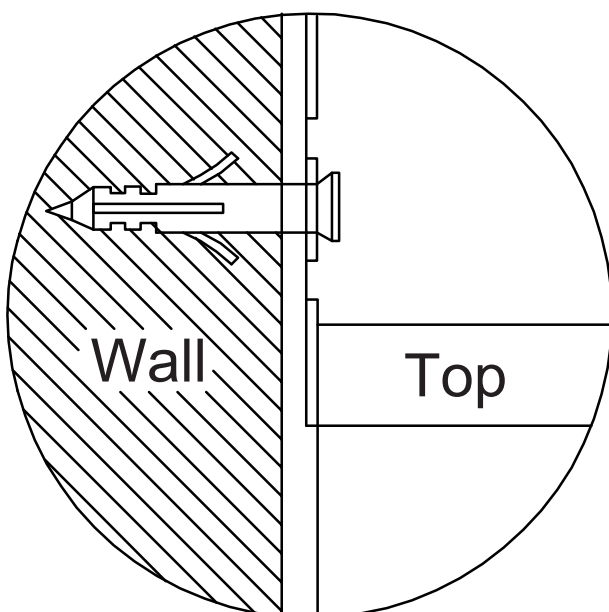
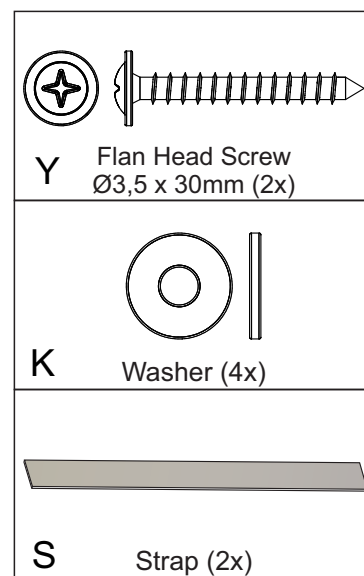
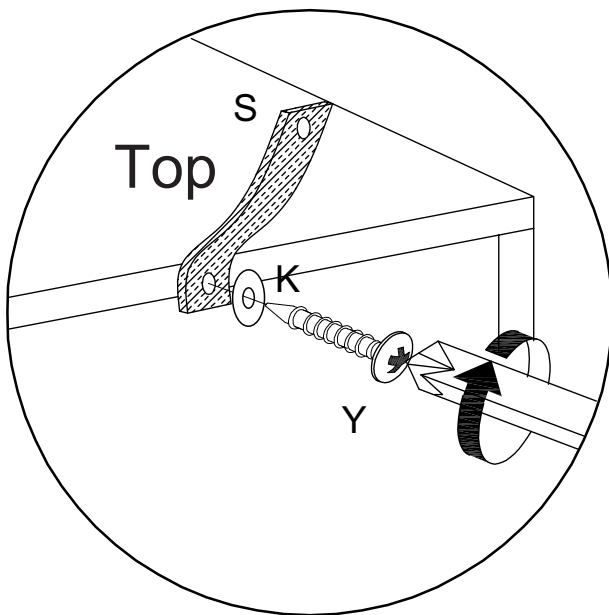
Detail 26

WARNING

Serious or fatal injuries can occur from furniture tipping over. To prevent the furniture from tipping over we recommend that it is permanently fixed to the wall.

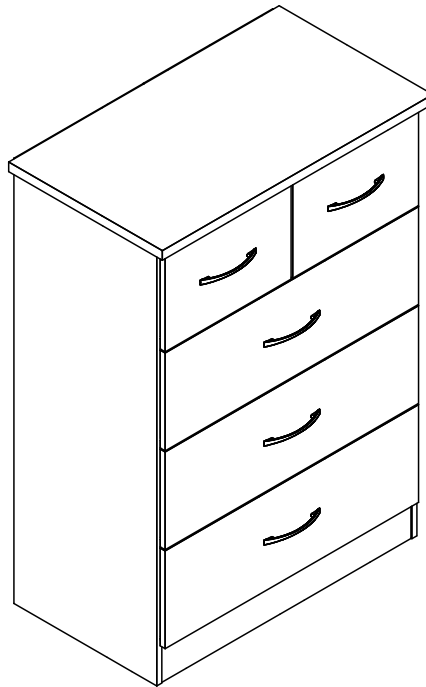
Wall fixings are not supplied with this product as different wall materials require different types of fixing devices.

Please make sure you use fixings suitable for the walls in your home.



NEVADA 3+2 DRAWER CHEST

ASSEMBLY INSTRUCTIONS



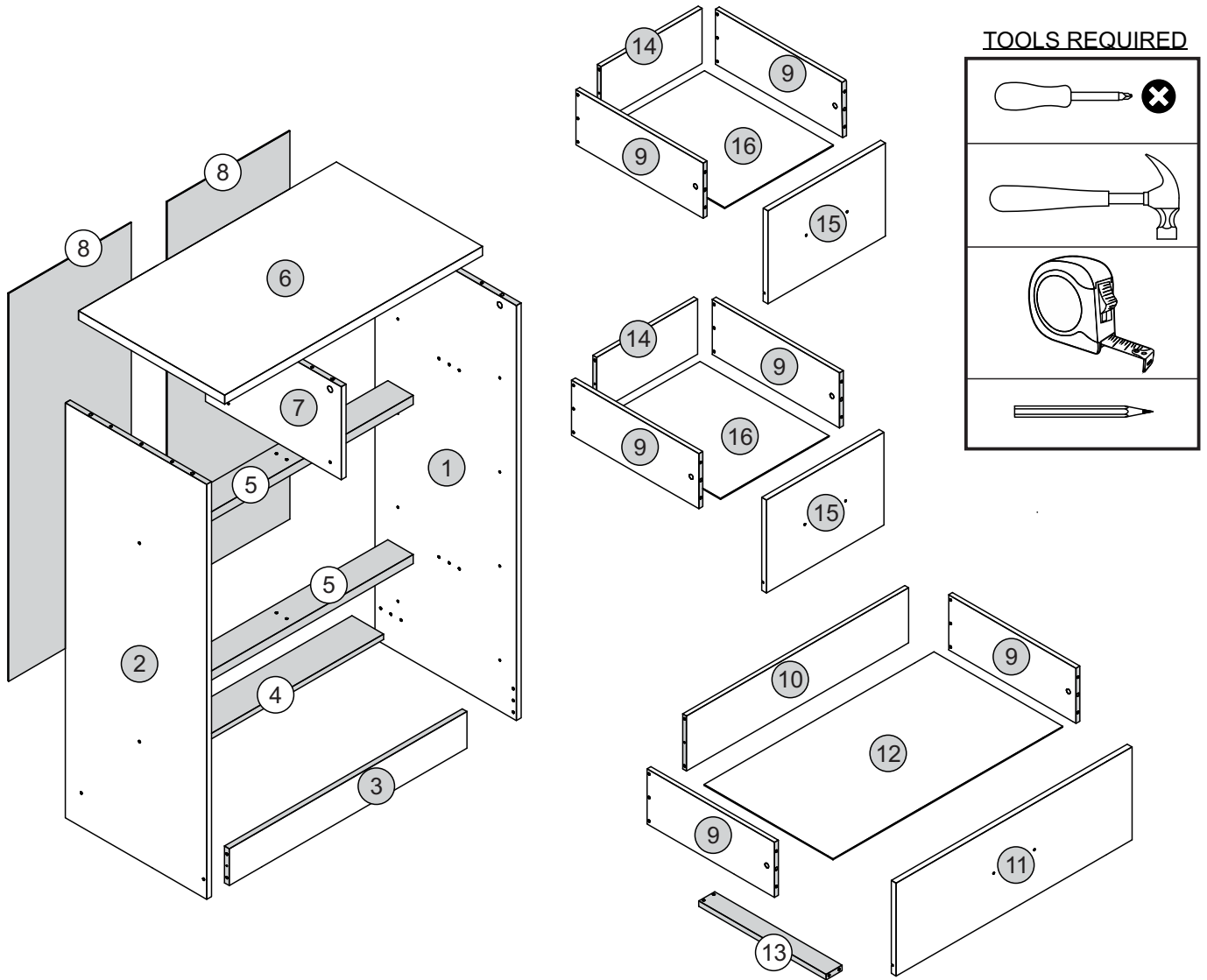
IMPORTANT FOR DOMESTIC USE ONLY

PLEASE READ BEFORE YOU CONTINUE FURTHER

CARE AND MAINTENANCE

After unpacking this product please keep the original packaging in case it needs to be returned for any reason.

- Please ensure all fittings and parts are present before commencing with assembly.
- Never drag or push products as this could cause damage to the joints making it inferior.
- We strongly recommend that you keep children away from your work area.
- We recommend that you lay a blanket or sheet on the floor to avoid damage to both your floor and the product.
- Assemble this product as close to its final position as possible.
- Do not place this product next to a radiator or in direct sunlight.
- Do not drag or push items across your high gloss furniture as this may cause the surface to scratch
- Wood is a natural product and may expand if subjected to damp and may shrink or crack if subjected to heat. Therefore it is recommended that room temperature is maintained, with no sudden temperature fluctuations.
- Make sure any spillage is wiped off immediately.
- Do not place hot or chilled items directly on to the surface, use a place mat or marking will occur.
- For general cleaning use a soft cotton or micro fibre cloth, and do not use detergents of any kind.
- From time to time it may be necessary to tighten fittings, regular inspections should be carried out.
- Do not place on a wet or damp floor as staining may occur to your floor.


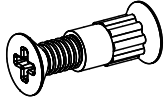
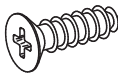
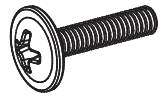
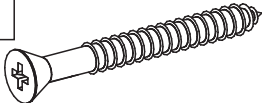







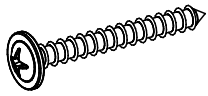
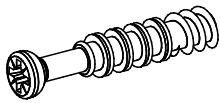


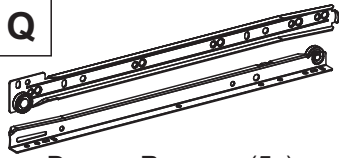
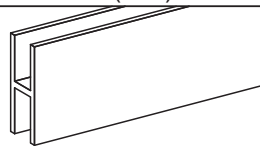


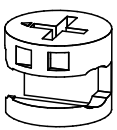
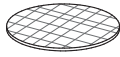


PARTS LIST

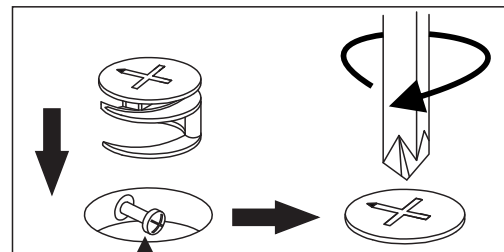
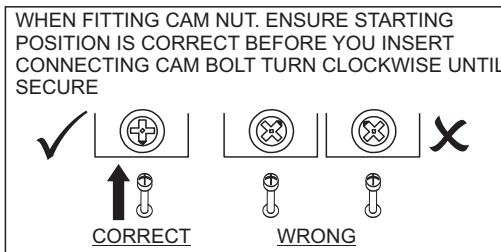
Please Note:
The below parts have all been stamped with the part number to help identify them during assembly.

Part Number	Part Description	Quantity	Carton
01	Right Side Panel	1	1/2
02	Left Side Panel	1	1/2
03	Front Baseboard	1	1/2
04	Back Baseboard	1	1/2
05	Crossbar	2	2/2
06	Top Panel	1	2/2
07	Division Panel	1	1/2
08	Back Panel	1	1/2
09	Drawer Side	10	1/2
10	Large Drawer Back Panel	3	1/2
11	Large Drawer Front	3	2/2
12	Large Drawer Bottom	3	2/2
13	Drawer Bottom Support Bar	3	1/2
14	Small Drawer Back Panel	2	1/2
15	Small Drawer Front	2	2/2
16	Small Drawer Bottom	2	1/2

FITTINGS LIST

<p>A</p>  <p>Flat Head Screw 2/+ Ø6,0 x 10mm (16x)</p>	<p>B</p>  <p>Double Flat Head Screw 1/+ Ø4,0 x 18mm (2x)</p>	<p>C</p>  <p>Flat Head Screw 2/+ Ø4,0 x 14mm (30x)</p>	<p>D</p>  <p>Flan Head Screw 2/+ Ø4,0 x 20mm (10x)</p>
<p>E</p>  <p>Flat Head Screw 1/+ Ø3,5 x 40mm (6x)</p>	<p>F</p>  <p>Flat Head Screw 2/+ Ø4,0 x 50mm (19x)</p>	<p>G</p>  <p>2/+ Dowel Ø6,0 x 30mm (69x)</p>	<p>H</p>  <p>2/+ Nail 10 x 10 (84x)</p>
<p>I</p>  <p>1/+ Back Panel Bracket (2x)</p>	<p>J</p>  <p>2/+ Cam Nut Ø12mm (10x)</p>	<p>K</p>  <p>1/+ Washer (4x)</p>	<p>L</p>  <p>1/+ Plastic Foot (6x)</p>
<p>M</p>  <p>1/+ Flan Head Screw Ø3,5 x 30mm (2x)</p>	<p>N</p>  <p>2/+ Cam Bolt (16x)</p>	<p>O</p>  <p>2/+ Hole Plugs (8x)</p>	<p>P</p>  <p>Glue (2x)</p>
<p>Q</p>  <p>Drawer Runners (5x)</p>	<p>R</p>  <p>Back Panel Strip (1x)</p>	<p>S</p>  <p>Strap (2x)</p>	<p>T</p>  <p>Handle (5x)</p>
<p>U</p>  <p>1/+ Cam Nut Ø15mm (6x)</p>	<p>V</p>  <p>2/+ Hole Plugs (10x)</p>		

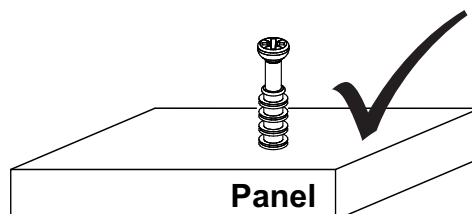
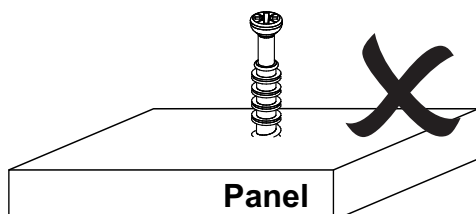
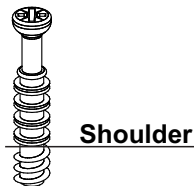
TIPS FOR FITTINGS CAM-LOCKS



Cam bolt head needs to be in centre

CAMBOLT

Tighten until shoulder in flush with panel. Do not overtighten or undertighten (see example beside)

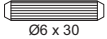



STEP 1

PARTS REQUIRED

2 - LEFT SIDE PANEL x1

HARDWARE REQUIRED

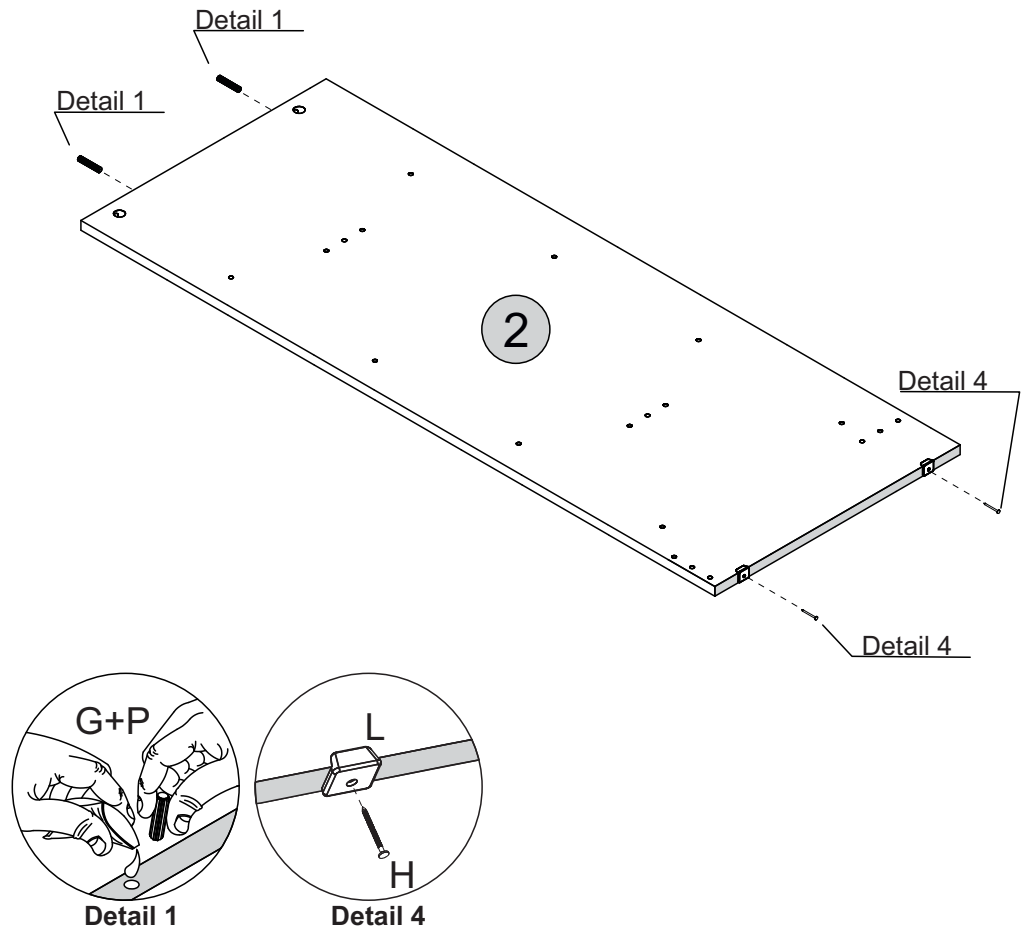
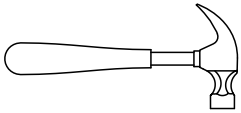
G  02
Ø6 x 30

H  02
10 x 10

L  02

P  01
GLUE

TOOLS REQUIRED





STEP 2

PARTS REQUIRED

1 - RIGHT SIDE PANEL x1

HARDWARE REQUIRED

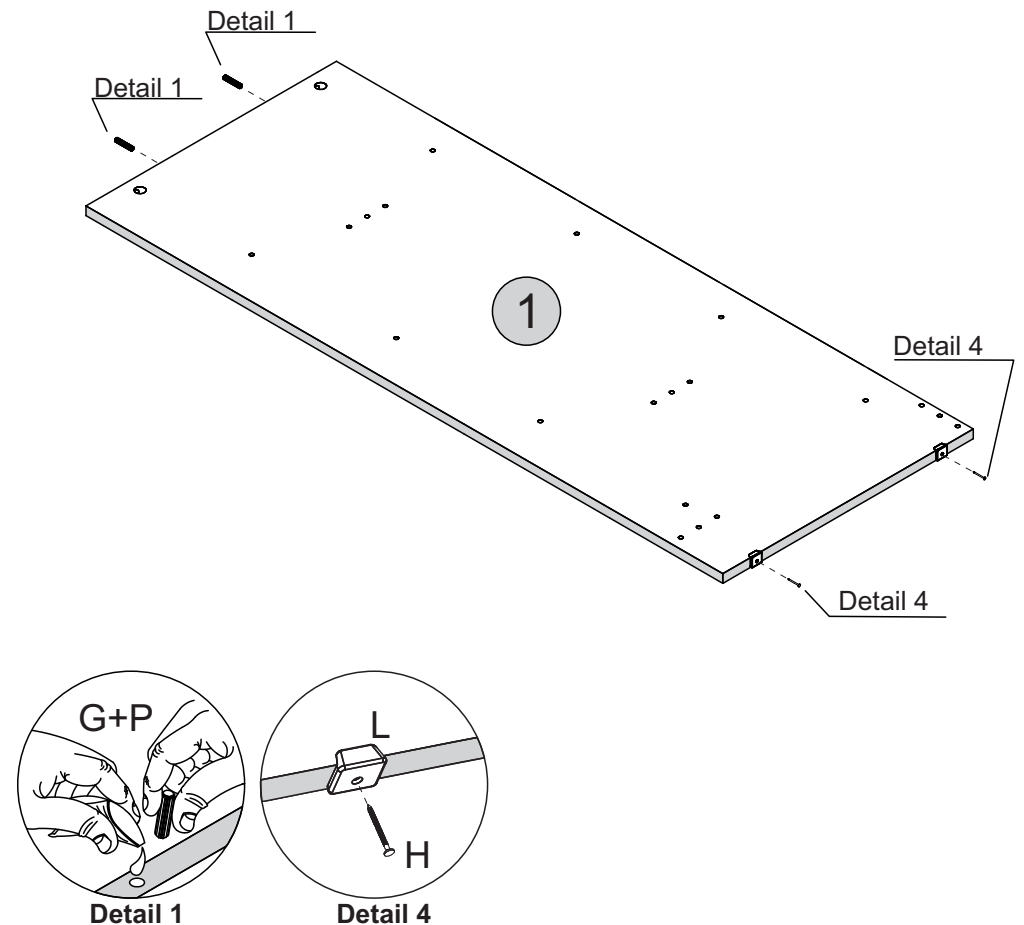
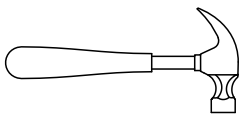
G  02
Ø6 x 30

H  02
10 x 10

L  02

P  01
GLUE

TOOLS REQUIRED




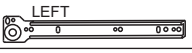
STEP 3

PARTS REQUIRED

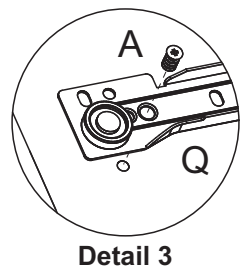
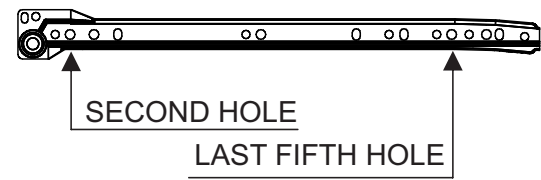
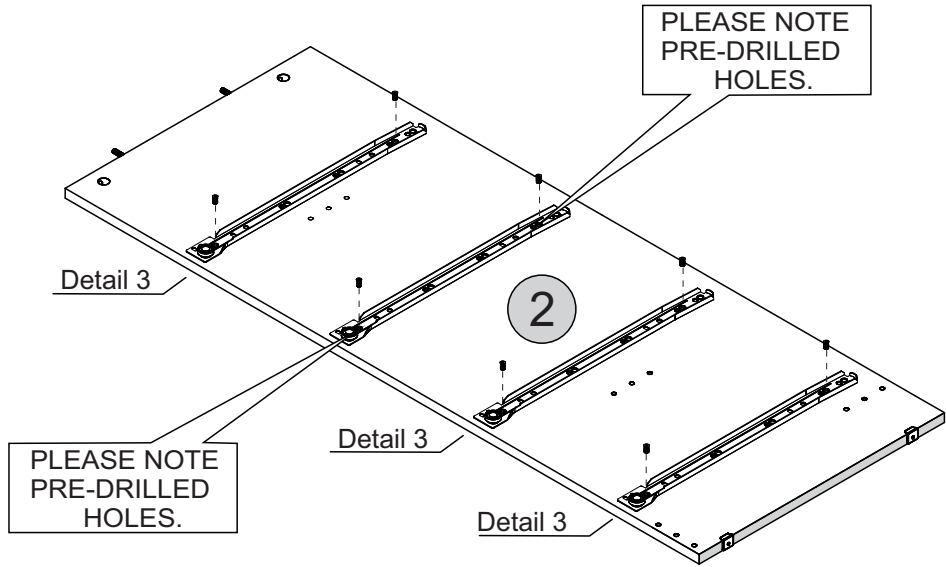
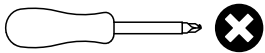
2 - LEFT SIDE PANEL x1

HARDWARE REQUIRED

A  08
Ø6 x 10

Q  04
LEFT

TOOLS REQUIRED



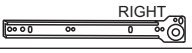
STEP 4

PARTS REQUIRED

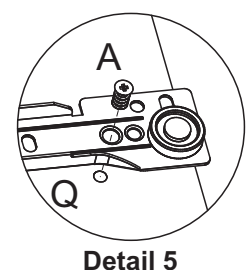
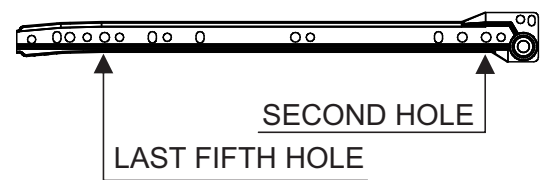
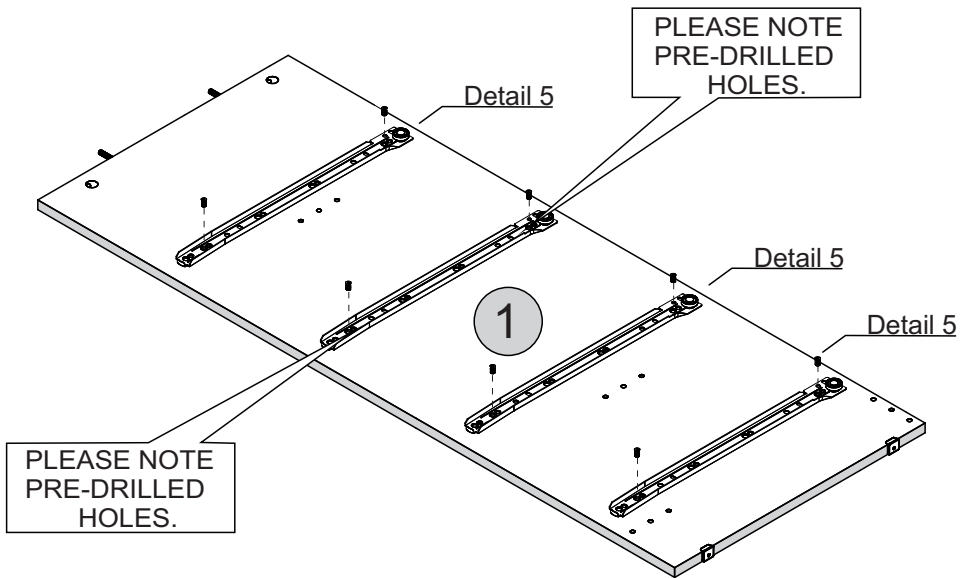
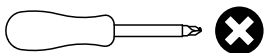
1 - RIGHT SIDE PANEL x1

HARDWARE REQUIRED

A  08
Ø6 x 10

Q  04
RIGHT

TOOLS REQUIRED



STEP 5

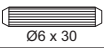
PARTS REQUIRED

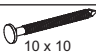
3 - FRONT BASEBOARD x1


4 - BACK BASEBOARD x1

5 - CROSSBAR x2

HARDWARE REQUIRED

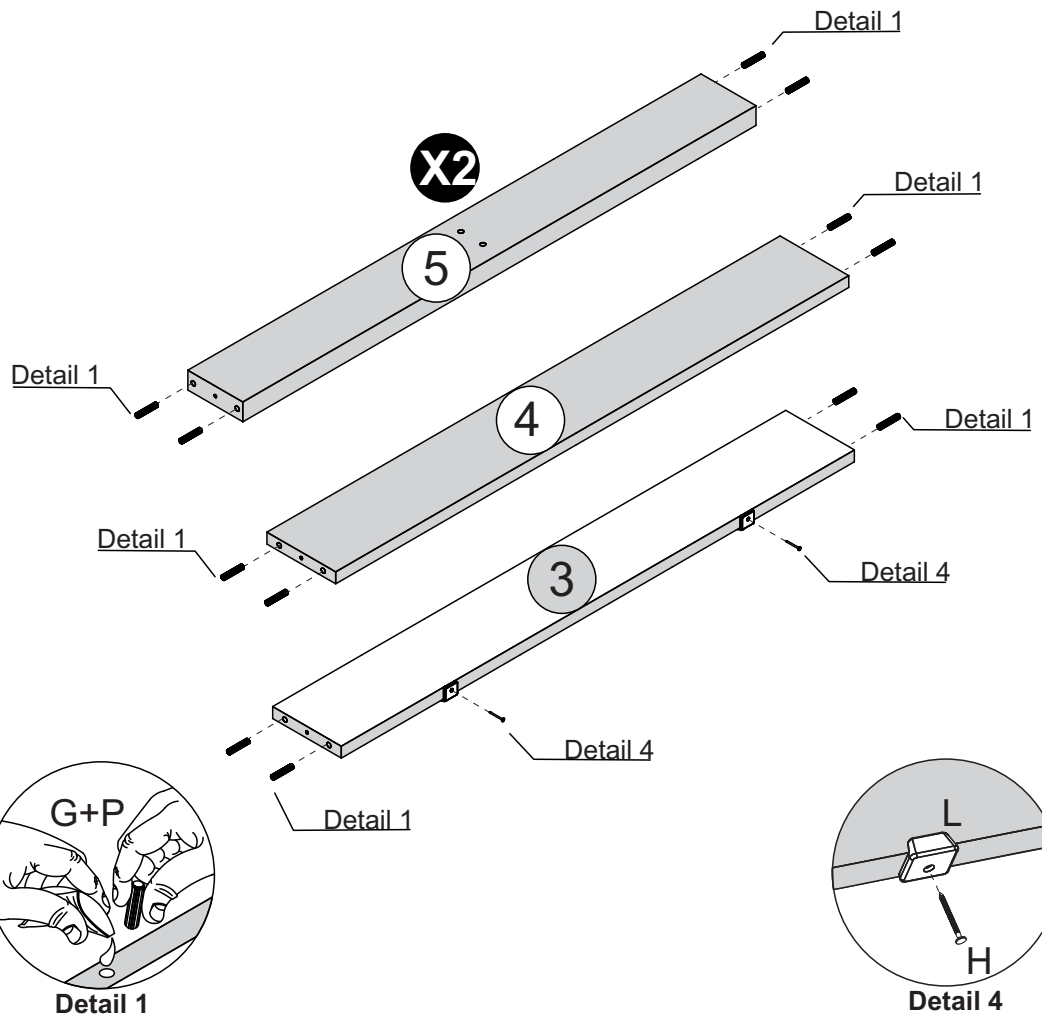
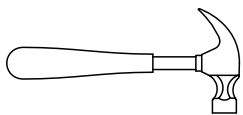
G  16
Ø6 x 30

H  02
10 x 10

L  02

P  01
GLUE

TOOLS REQUIRED

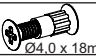


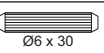
STEP 6

PARTS REQUIRED

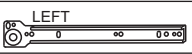
7 - DIVISION PANEL x1

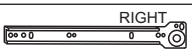
HARDWARE REQUIRED

B  02
Ø4,0 x 18mm

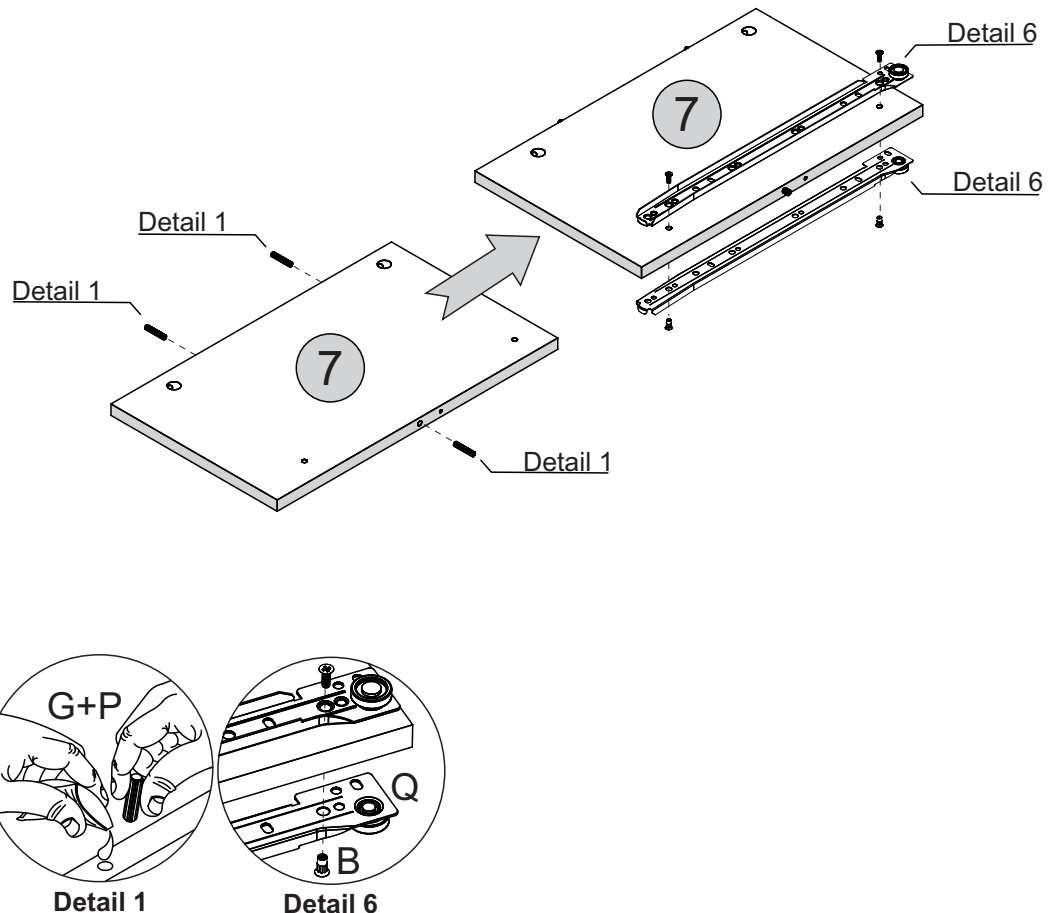
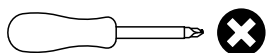
G  03
Ø6 x 30

P  01
GLUE

Q  01
LEFT

Q  01
RIGHT

TOOLS REQUIRED

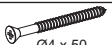



STEP 7

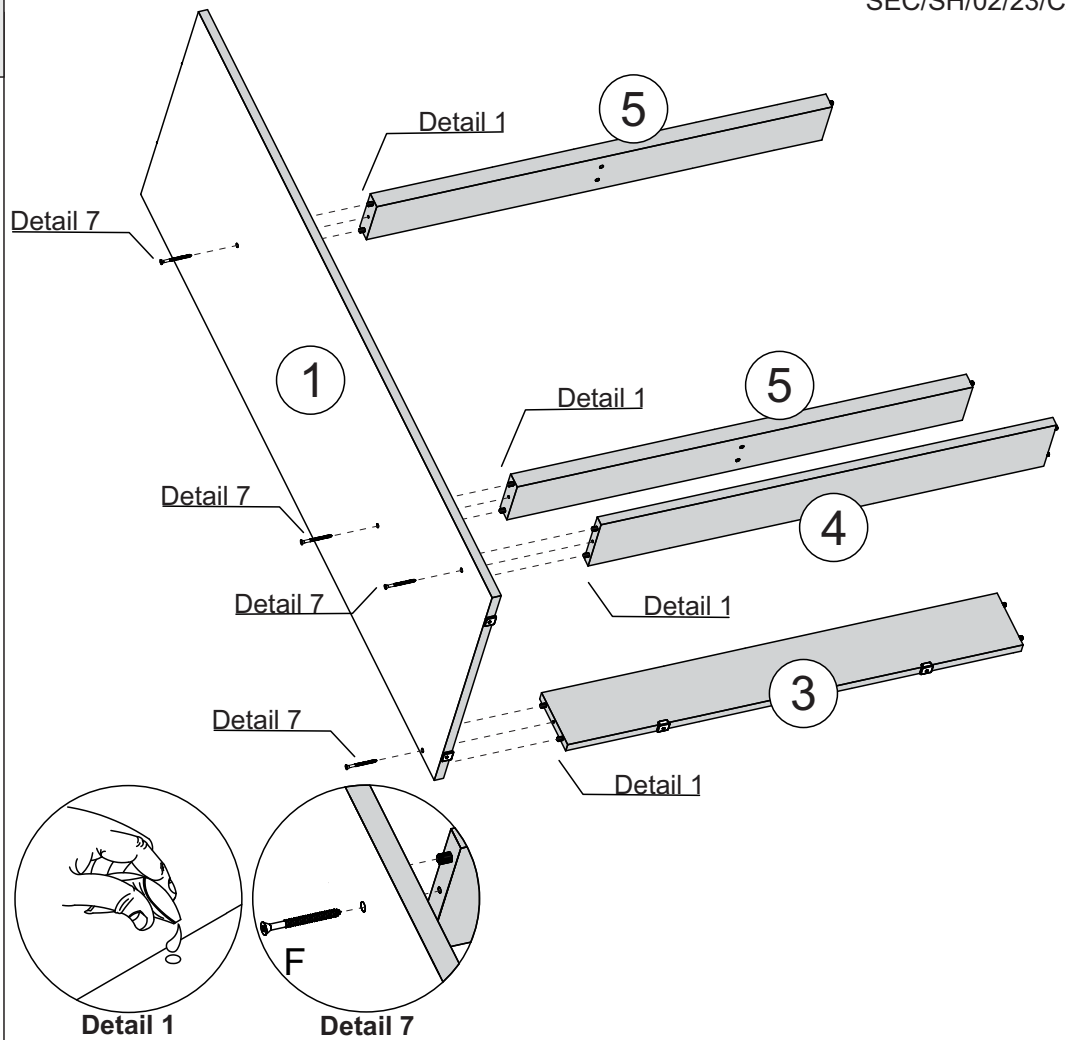
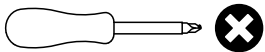
PARTS REQUIRED

- 1 - RIGHT SIDE PANEL x1
- 3 - FRONT BASEBOARD x1
- 4 - BACK BASEBOARD x1
- 5 - CROSSBAR x2

HARDWARE REQUIRED

- F  04
Ø4 x 50
- P  01
GLUE

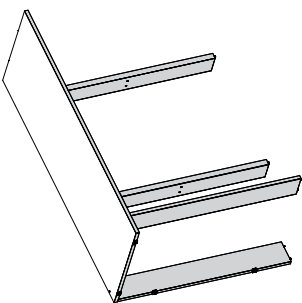
TOOLS REQUIRED





STEP 8

PARTS REQUIRED

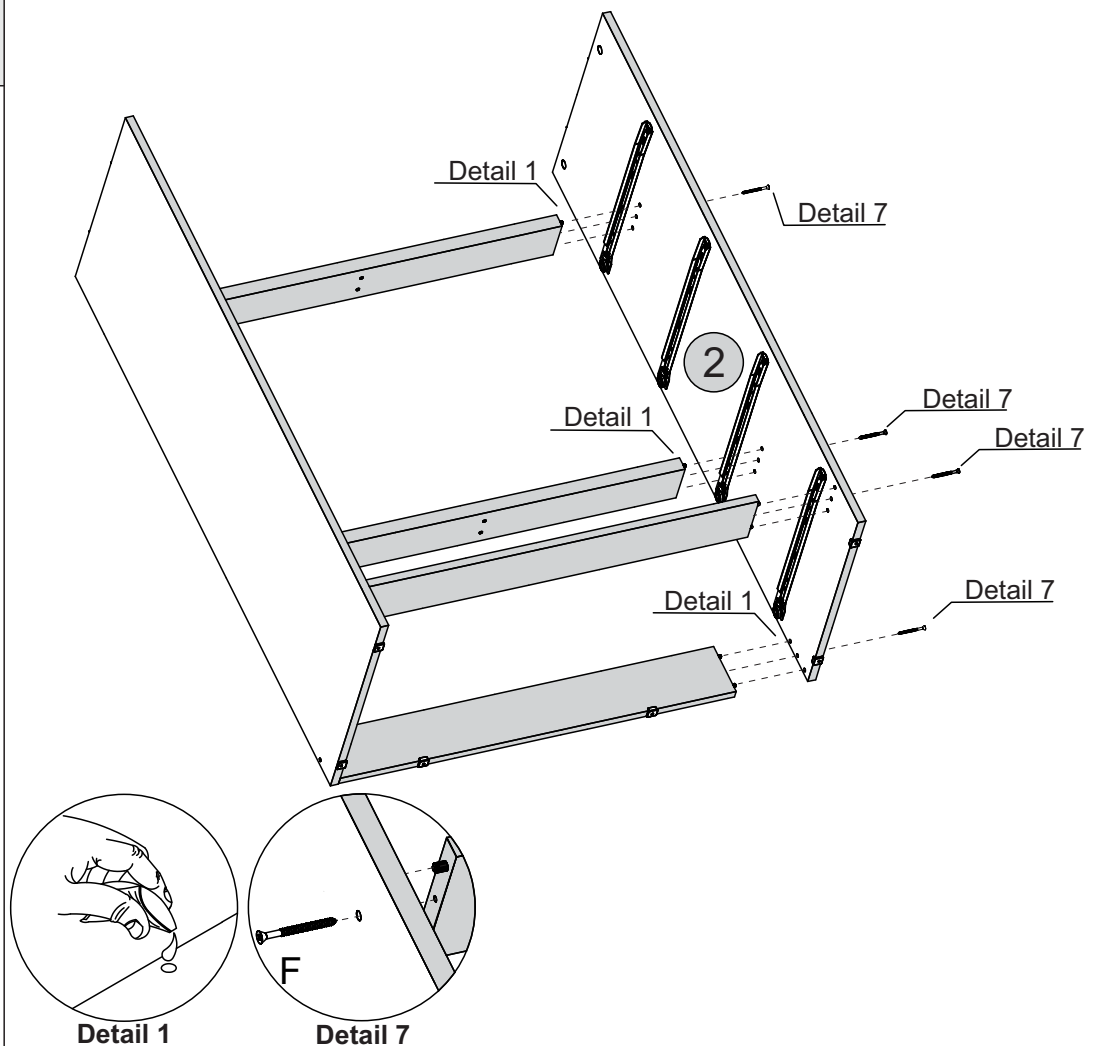
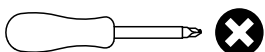
- 2 - LEFT SIDE PANEL x1



HARDWARE REQUIRED

- F  04
Ø4 x 50
- P  01
GLUE

TOOLS REQUIRED



STEP 9

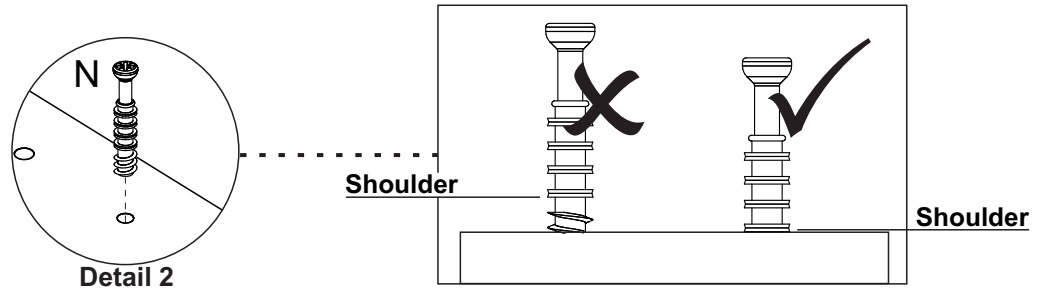
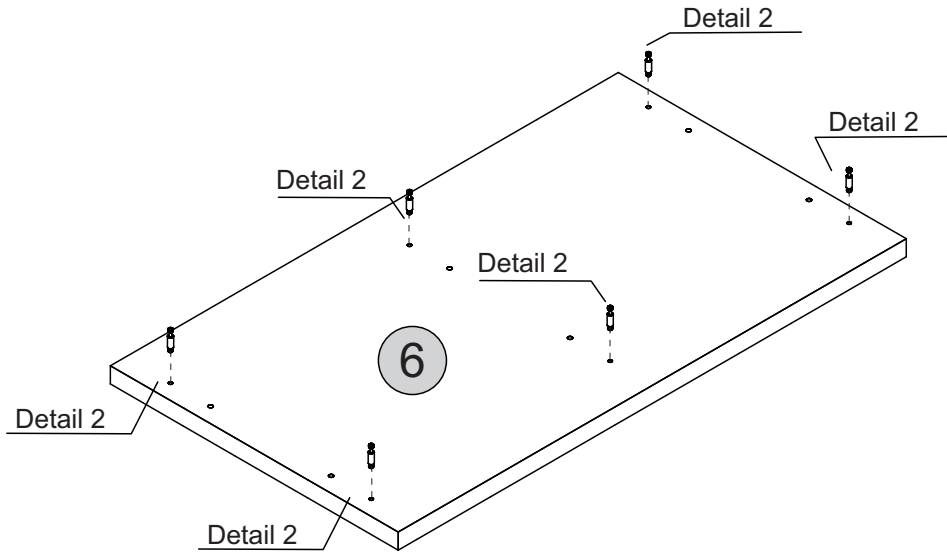
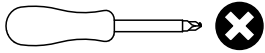
PARTS REQUIRED

6 - TOP PANEL x1

HARDWARE REQUIRED

N  06

TOOLS REQUIRED



STEP 10

PARTS REQUIRED

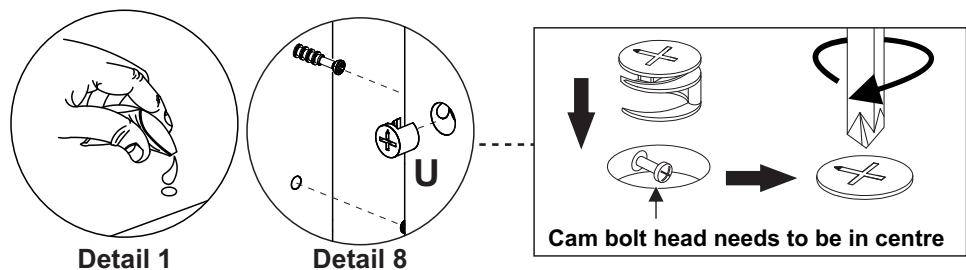
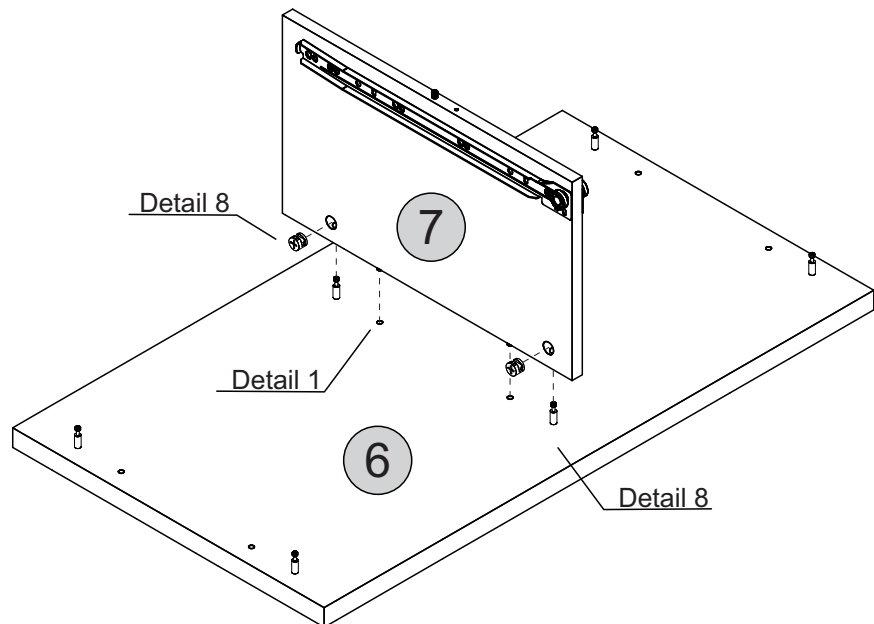
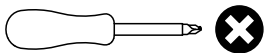
6 - TOP PANEL x1

7 - DIVISION PANEL x1

HARDWARE REQUIRED

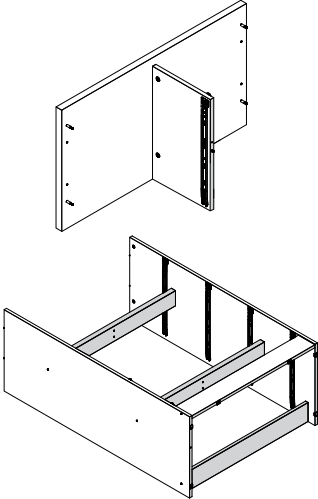
U  02

TOOLS REQUIRED




STEP 11

PARTS REQUIRED



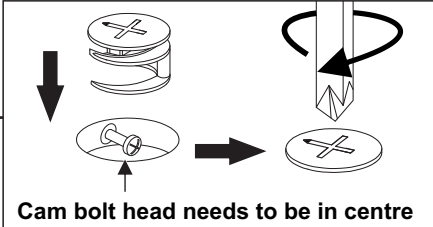
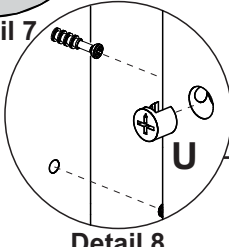
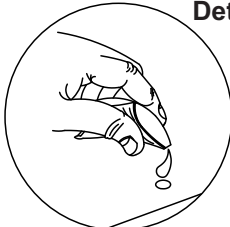
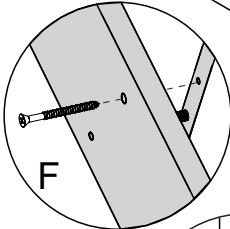
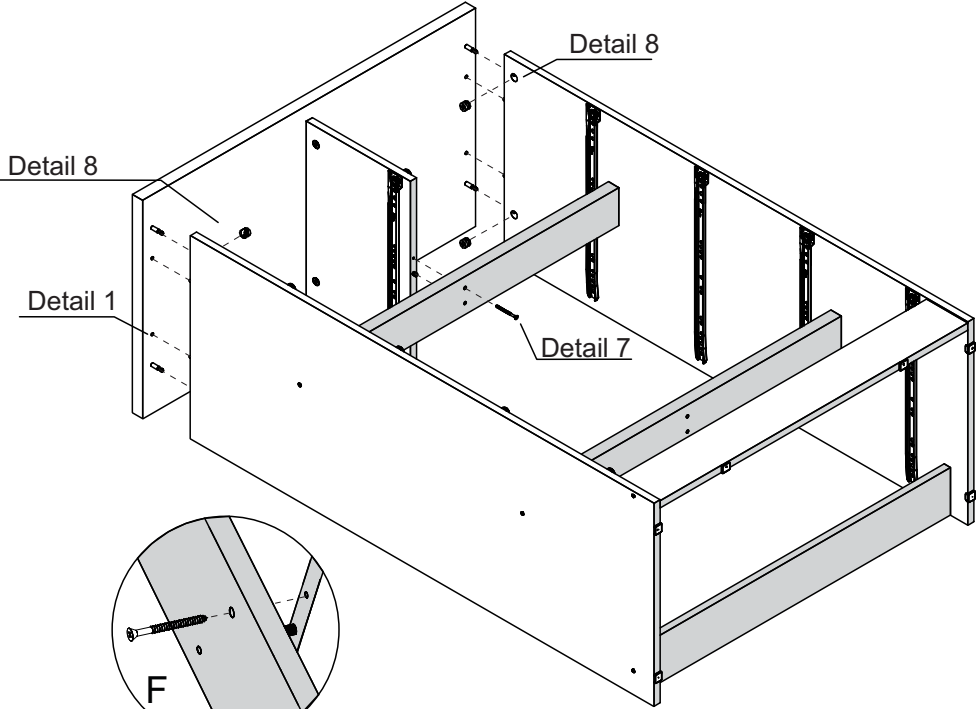
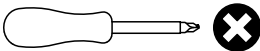
HARDWARE REQUIRED

F  01
Ø4 x 50

P  01
GLUE

U  04

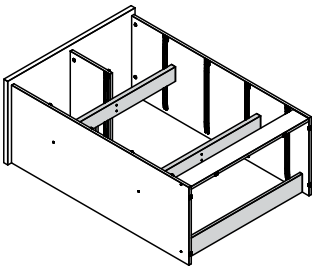
TOOLS REQUIRED



STEP 12

PARTS REQUIRED

8 - BACK PANEL x2



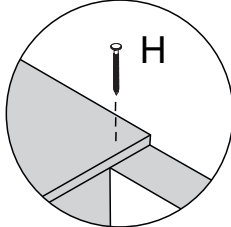
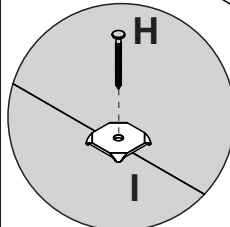
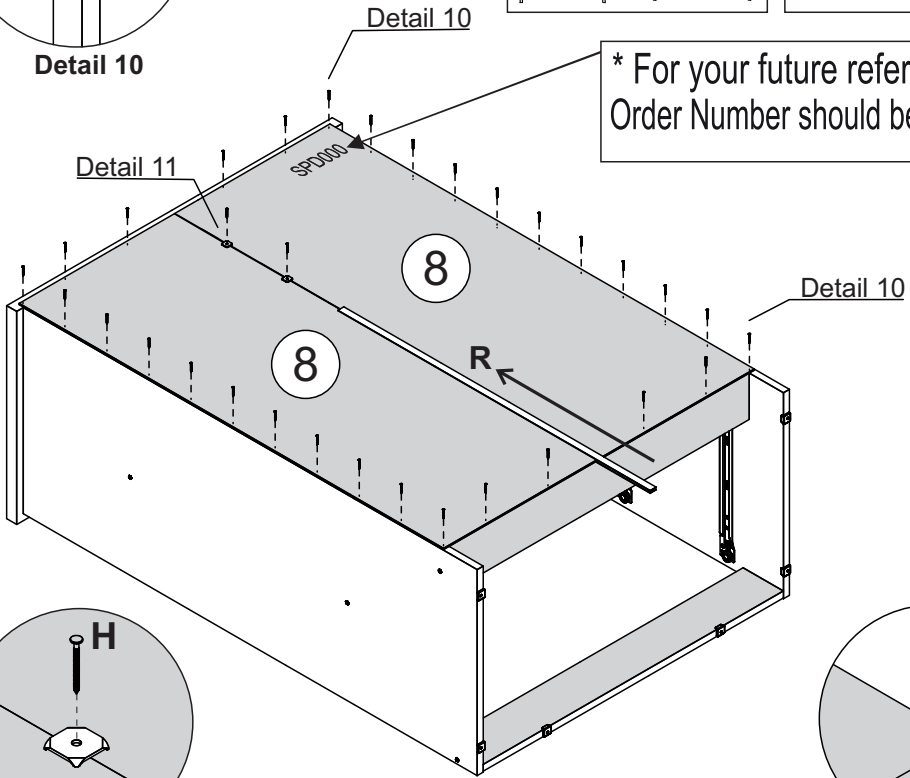
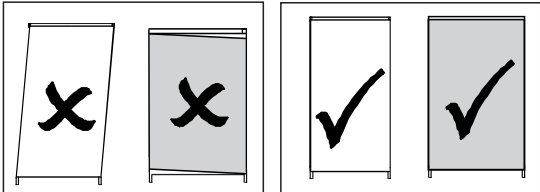
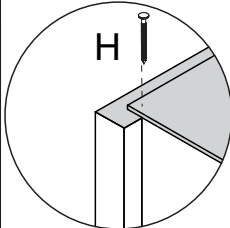
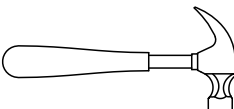
HARDWARE REQUIRED

H  32

I  02

R  01

TOOLS REQUIRED



Detail 11

Detail 10

STEP 13

PARTS REQUIRED

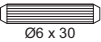
9 - DRAWER SIDE x10

10 - LARGE DRAWER BACK PANEL x3

13 - DRAWER BOTTOM SUPPORT BAR x3

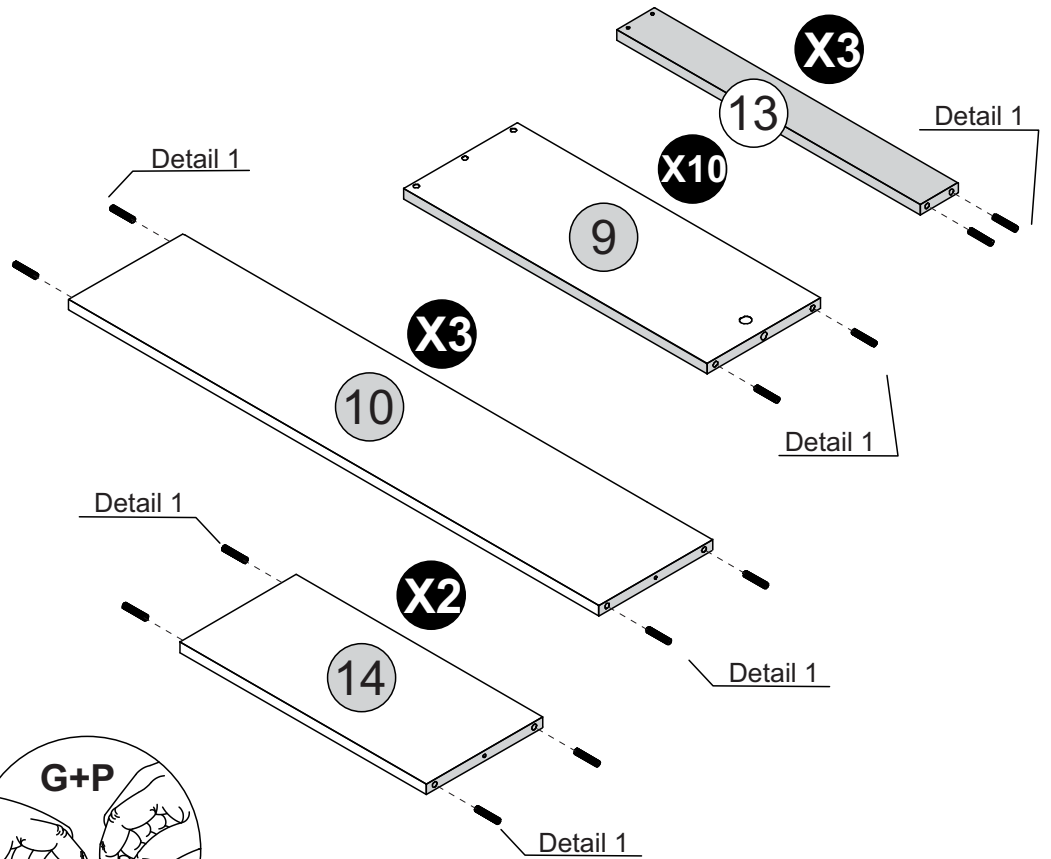
14 - SMALL DRAWER BACK PANEL x2

HARDWARE REQUIRED

G  46

P  01

TOOLS REQUIRED




STEP 14

PARTS REQUIRED

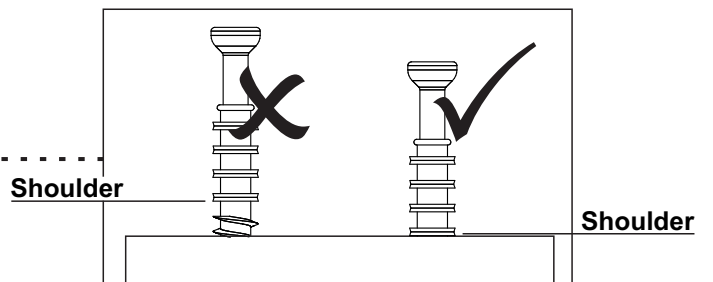
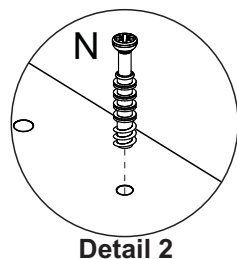
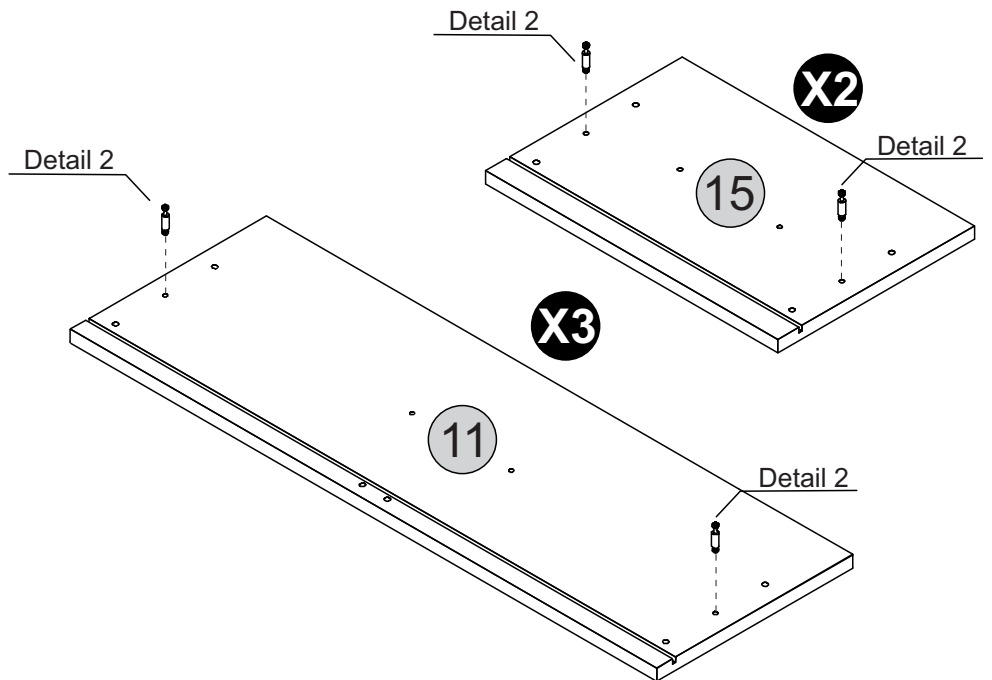
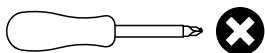
11 - LARGE DRAWER FRONT x3

15 - SMALL DRAWER FRONT x2

HARDWARE REQUIRED

N  10

TOOLS REQUIRED



STEP 15

PARTS REQUIRED

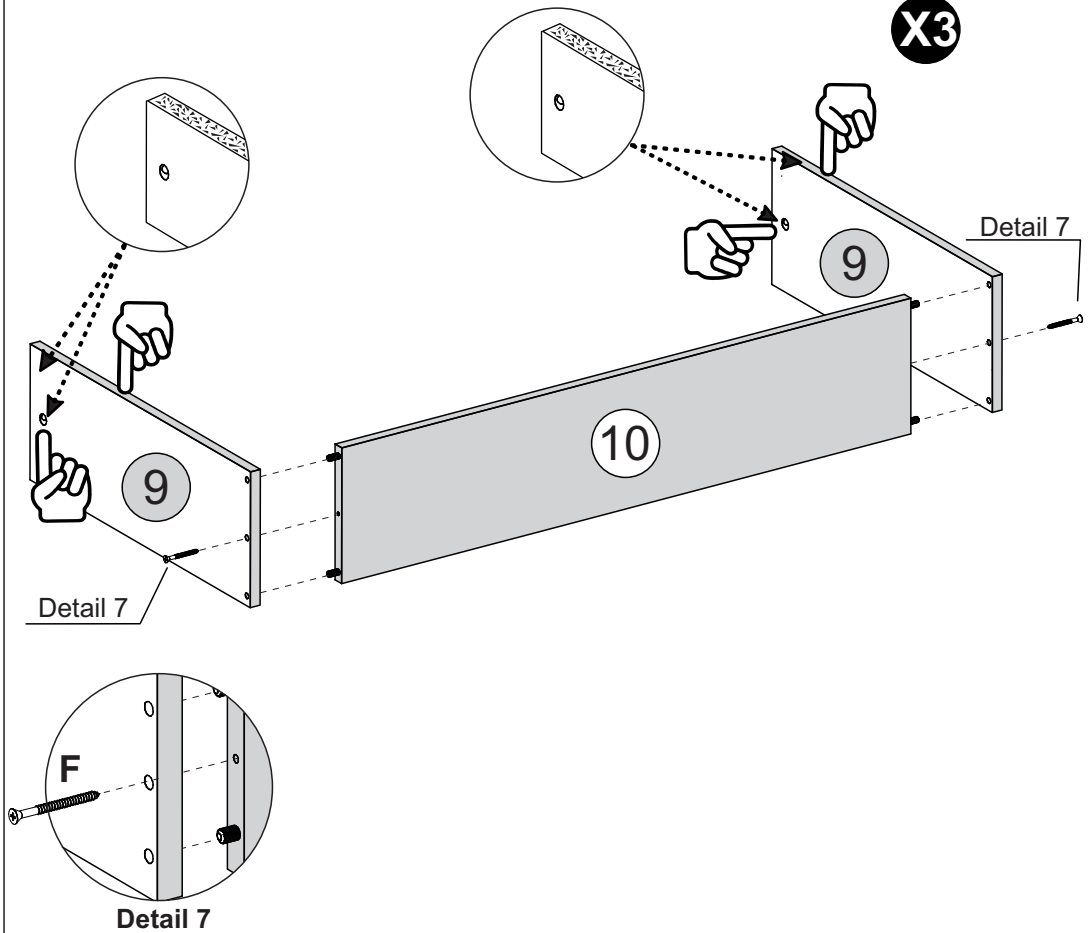
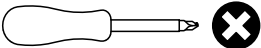
9 - DRAWER SIDE x6

10 - LARGE DRAWER BACK PANEL x3

HARDWARE REQUIRED

F  06
Ø4 x 50

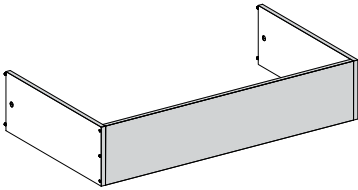
TOOLS REQUIRED



STEP 16

PARTS REQUIRED

11 - LARGE DRAWER FRONT x3

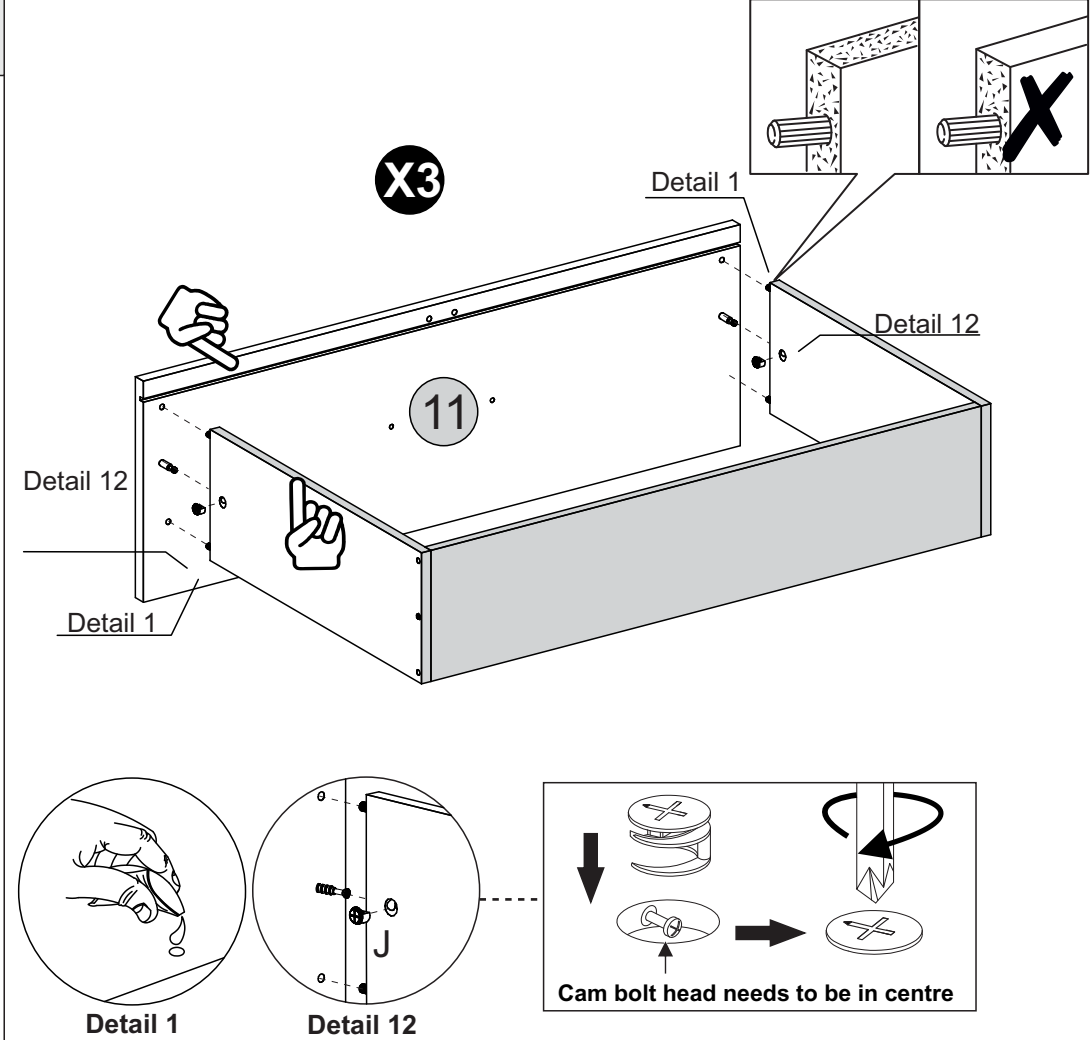
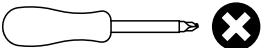


HARDWARE REQUIRED

J  06

P  01
GLUE

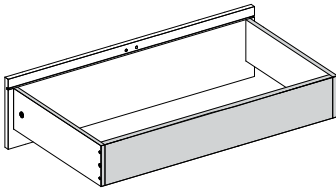
TOOLS REQUIRED



STEP 17

PARTS REQUIRED

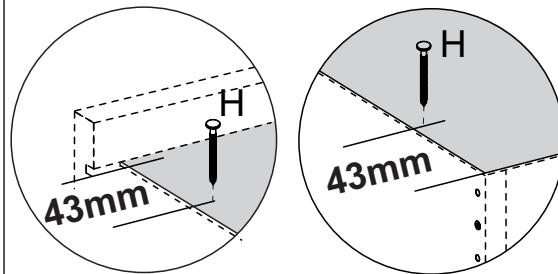
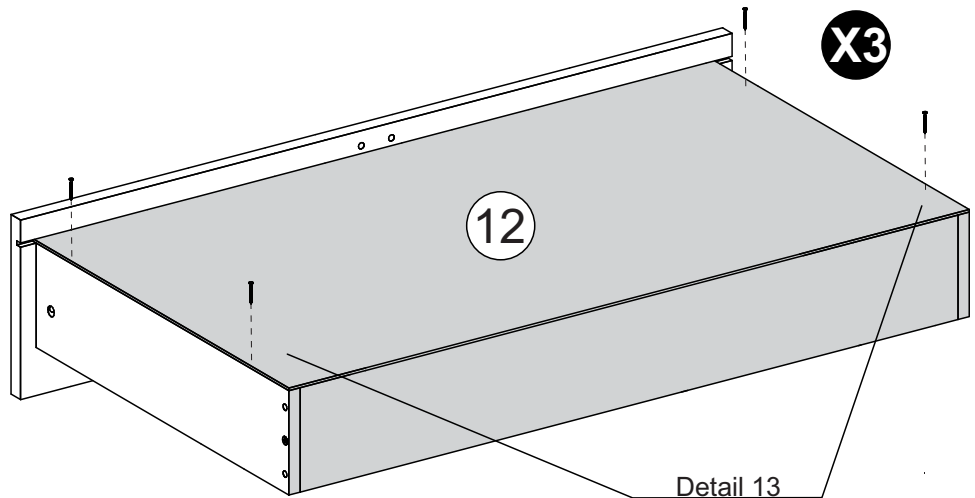
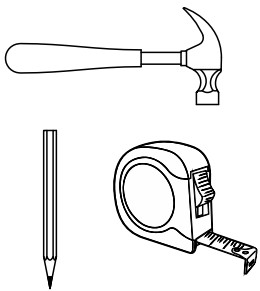
12 - LARGE DRAWER BOTTOM x3



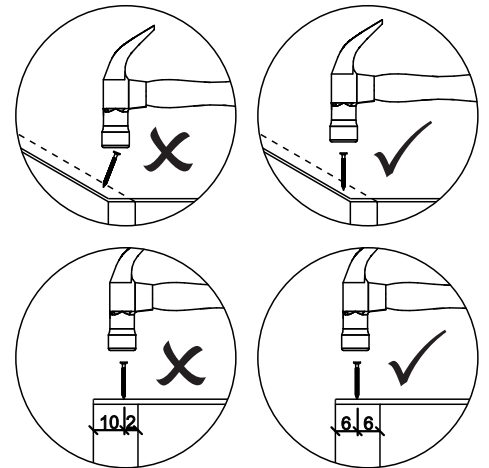
HARDWARE REQUIRED



TOOLS REQUIRED



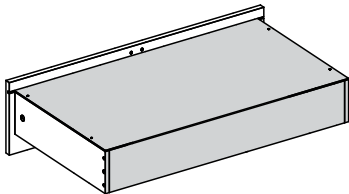
Detail 13



STEP 18

PARTS REQUIRED

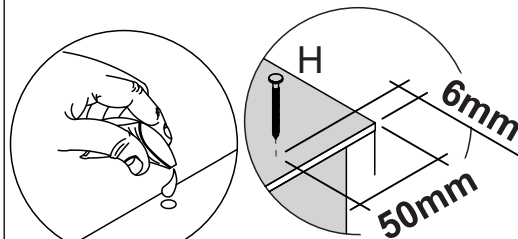
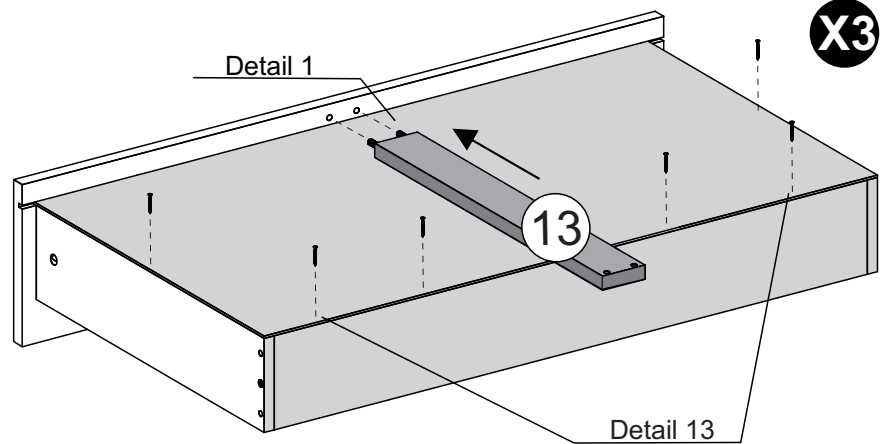
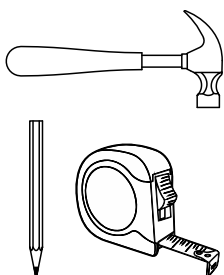
13 - DRAWER BOTTOM SUPPORT BAR x3



HARDWARE REQUIRED

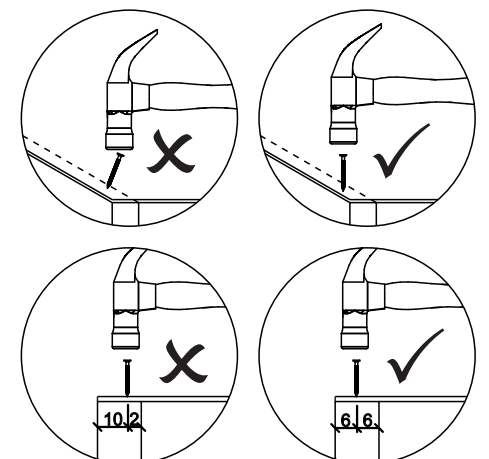


TOOLS REQUIRED



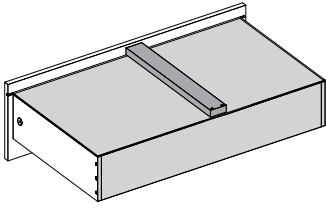
Detail 1

Detail 13

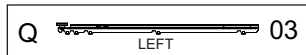
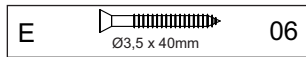
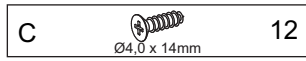


STEP 19

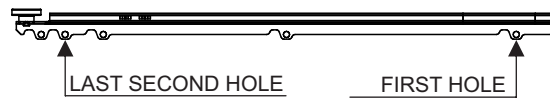
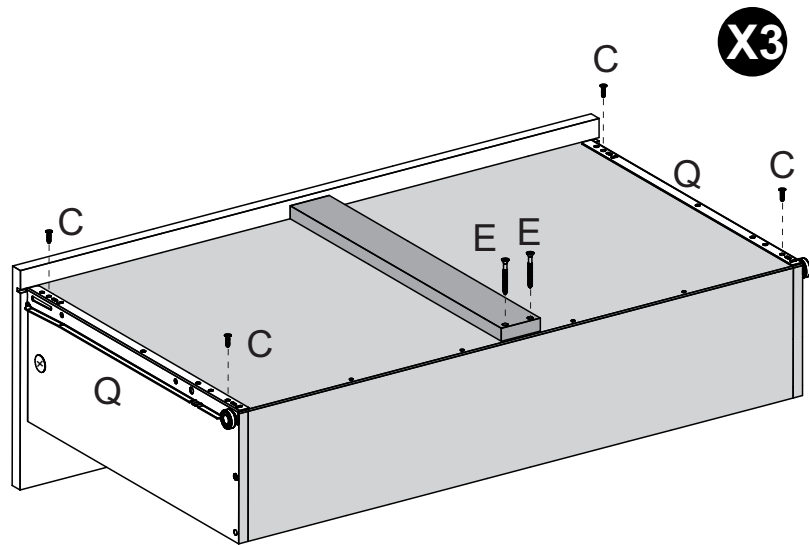
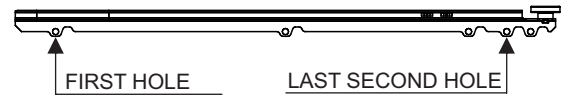
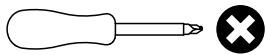
PARTS REQUIRED



HARDWARE REQUIRED

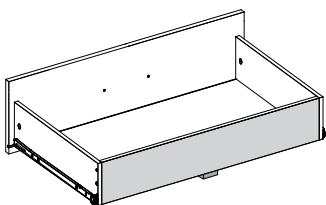


TOOLS REQUIRED

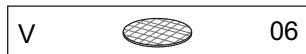
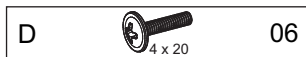


STEP 20

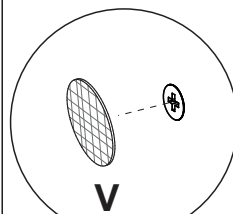
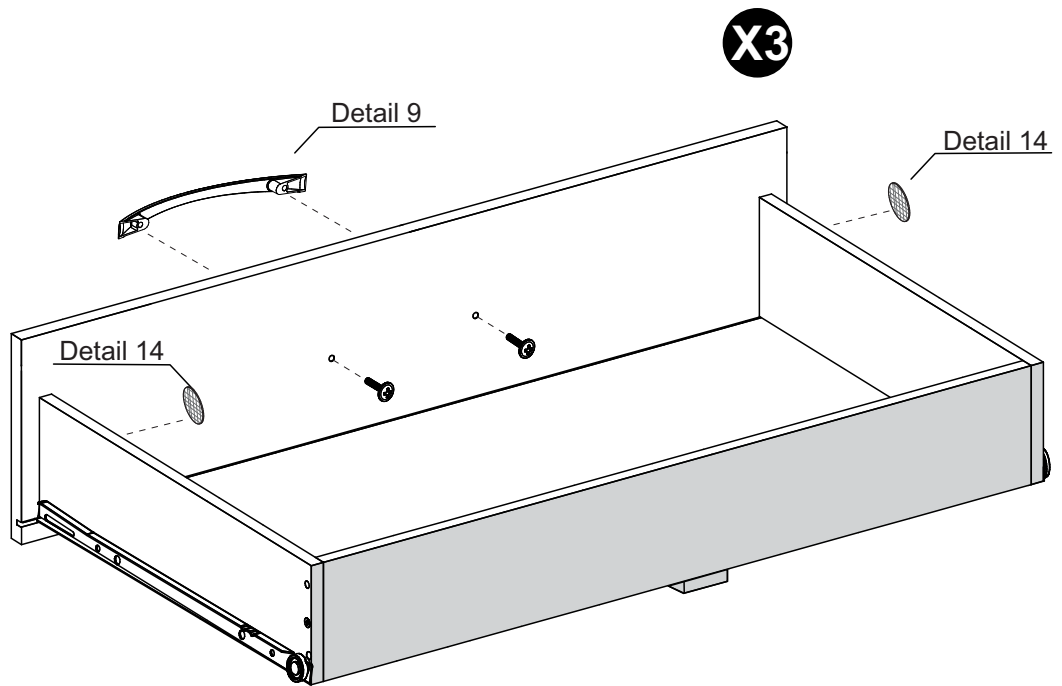
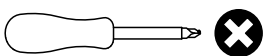
PARTS REQUIRED



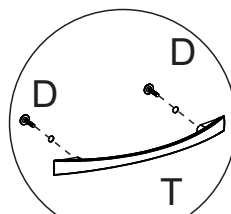
HARDWARE REQUIRED



TOOLS REQUIRED



Detail 14




Detail 9

STEP 21

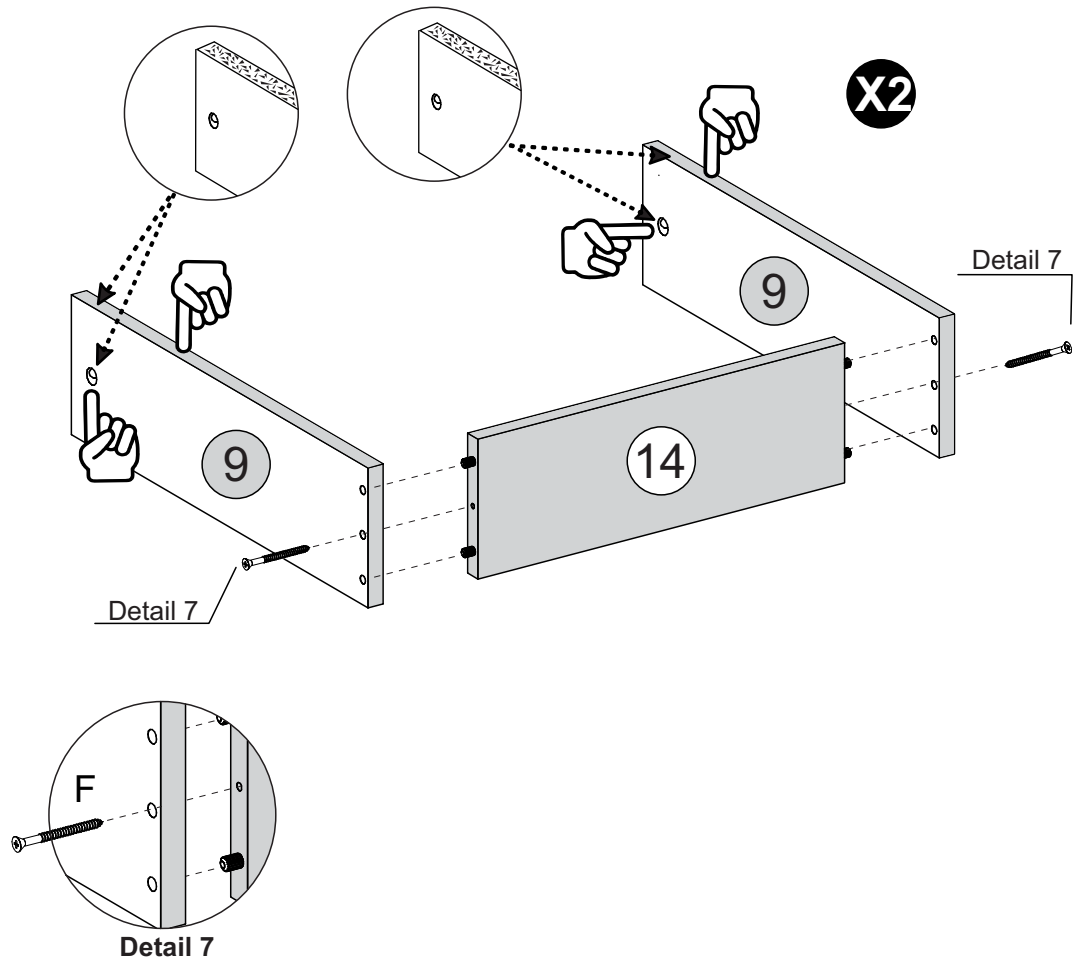
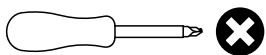
PARTS REQUIRED

- 9 - DRAWER SIDE x6
- 14 - DRAWER BACK PANEL x3

HARDWARE REQUIRED

- F  04
Ø4 x 50

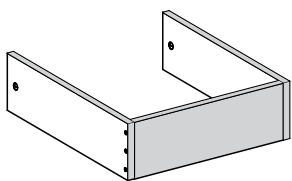
TOOLS REQUIRED





STEP 22

PARTS REQUIRED

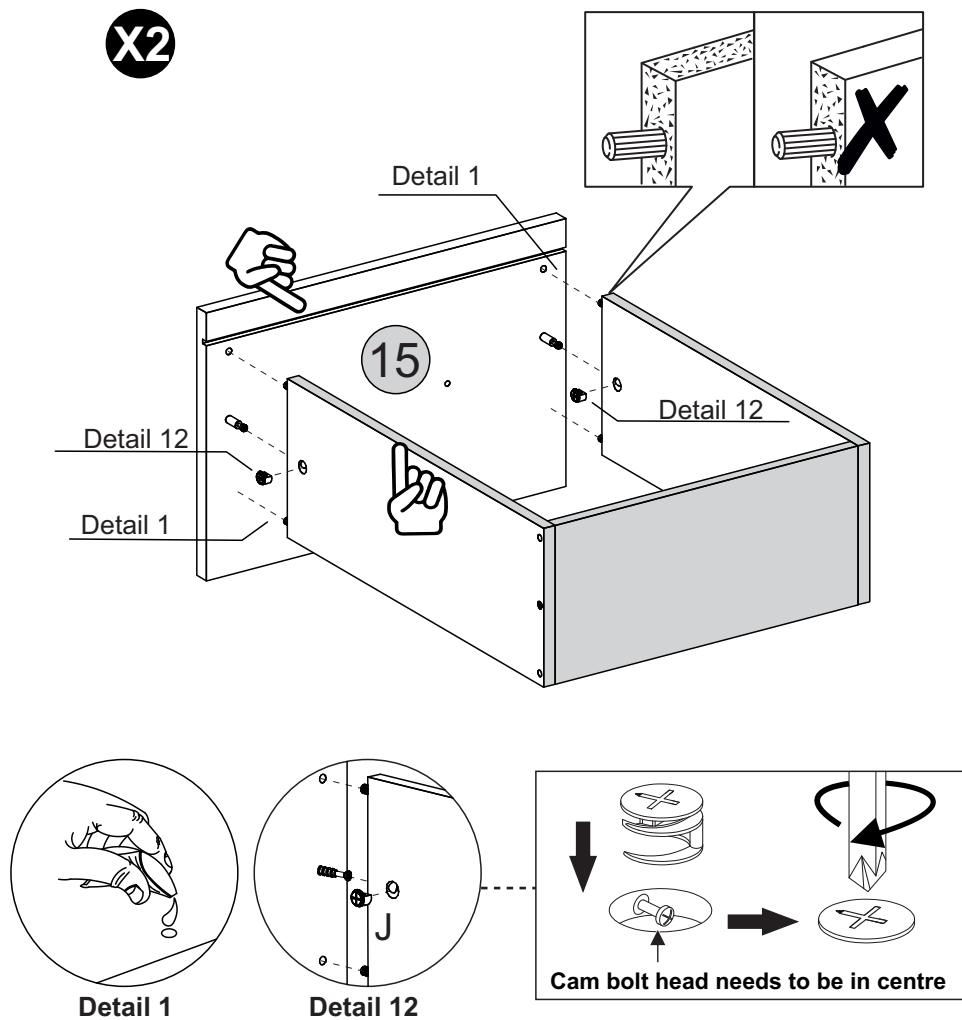
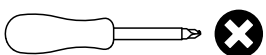
- 15 - SMALL DRAWER FRONT x3



HARDWARE REQUIRED

- J  04
- P  01

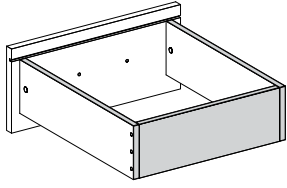
TOOLS REQUIRED




STEP 23

PARTS REQUIRED

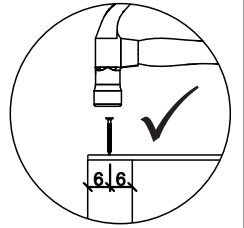
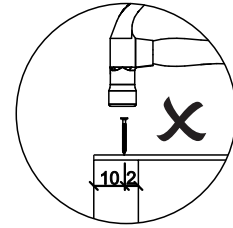
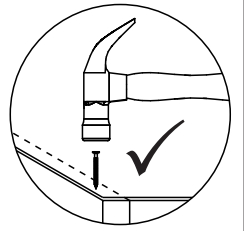
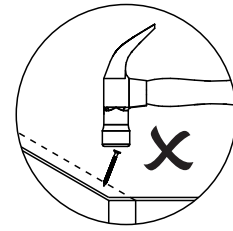
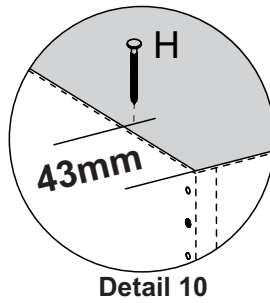
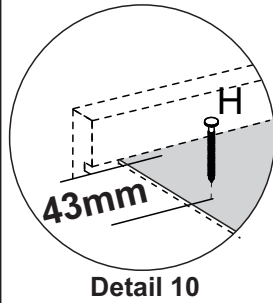
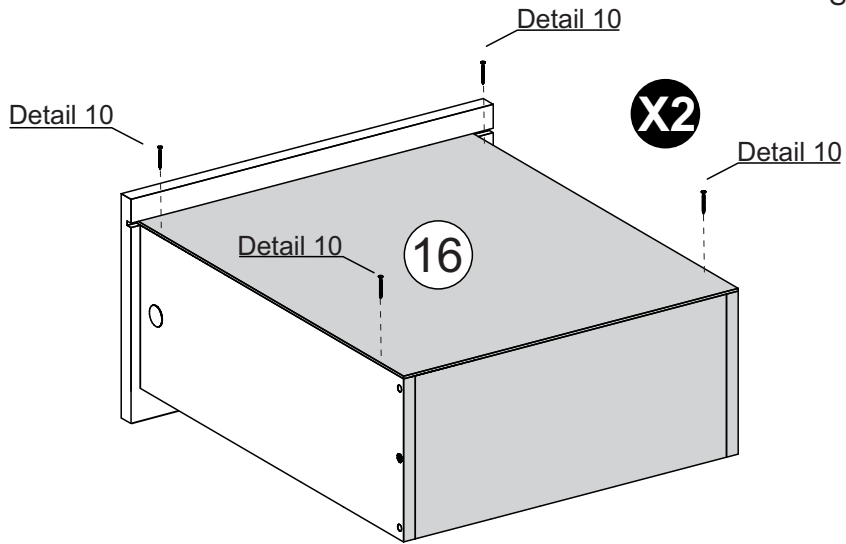
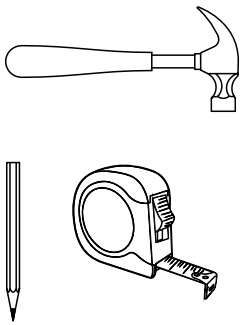
16 -DRAWER BOTTOM x2



HARDWARE REQUIRED

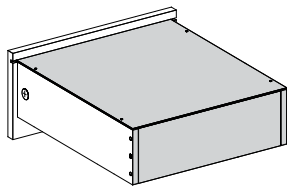
H  08
10 x 10

TOOLS REQUIRED



STEP 24

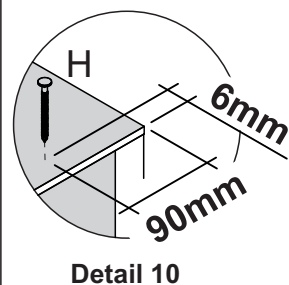
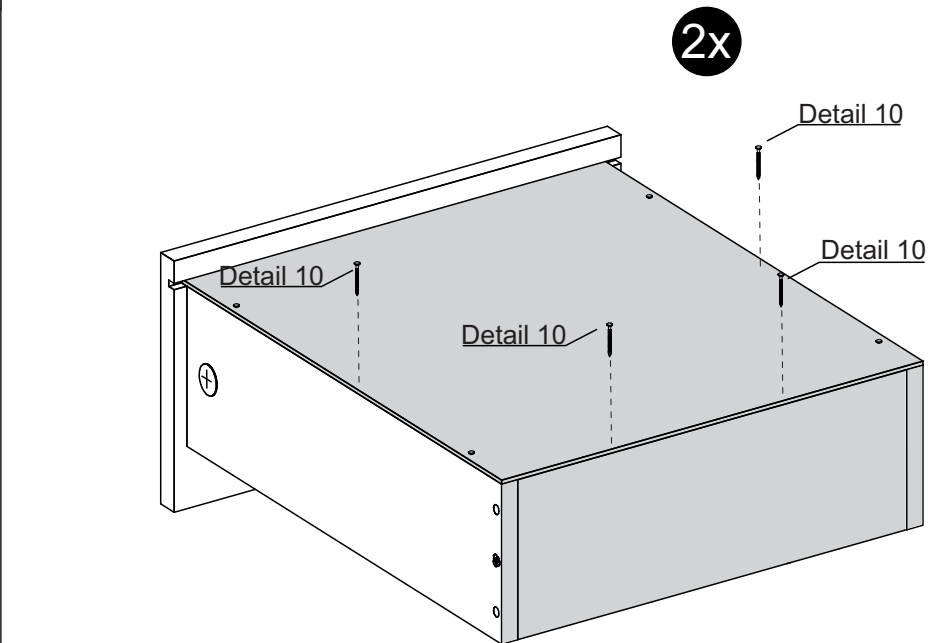
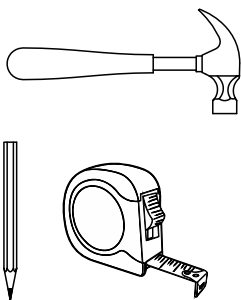
PARTS REQUIRED



HARDWARE REQUIRED

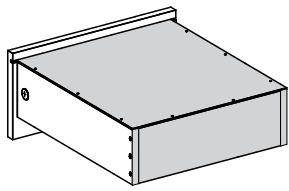
H  08
10 x 10

TOOLS REQUIRED

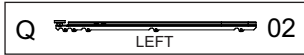
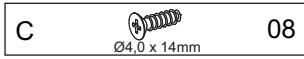


STEP 25

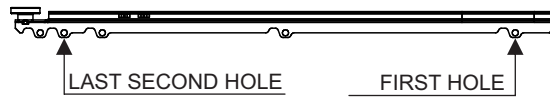
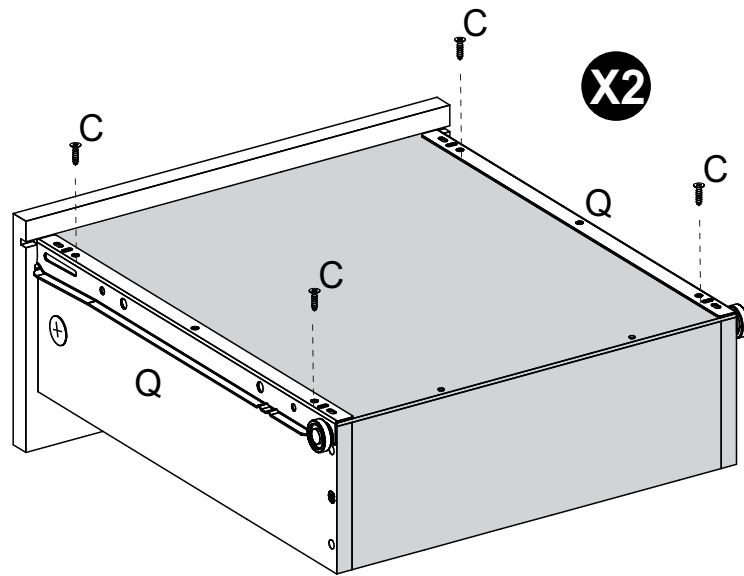
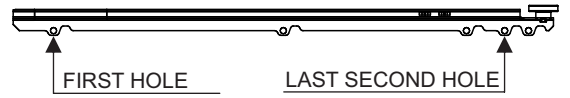
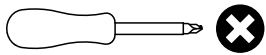
PARTS REQUIRED



HARDWARE REQUIRED

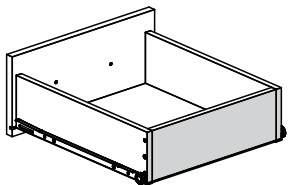


TOOLS REQUIRED

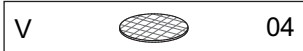


STEP 26

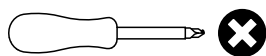
PARTS REQUIRED



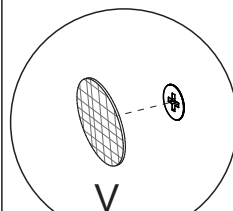
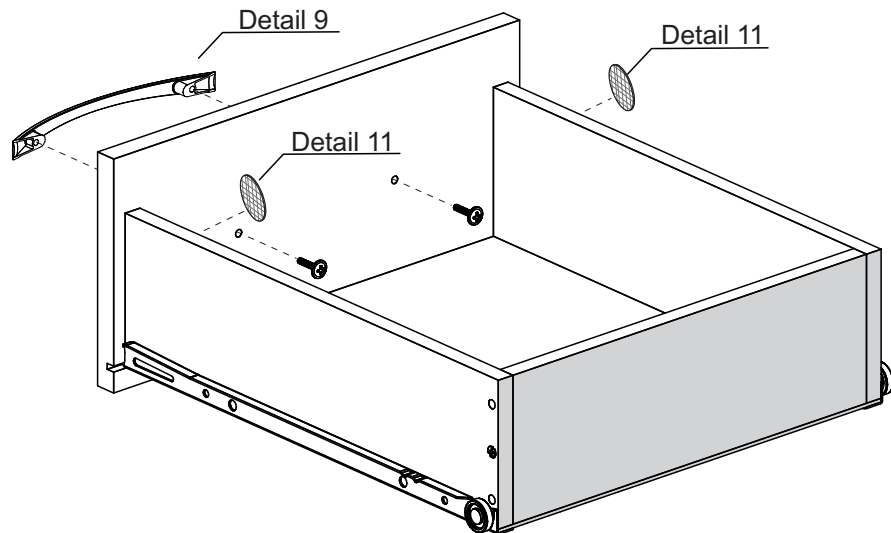
HARDWARE REQUIRED



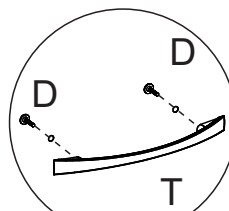
TOOLS REQUIRED



X2



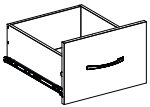
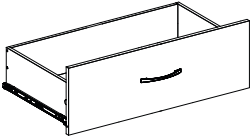
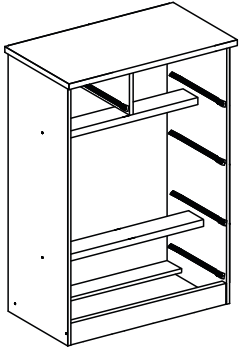
Detail 11



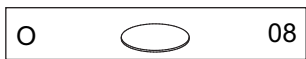
Detail 9

STEP 27

PARTS REQUIRED



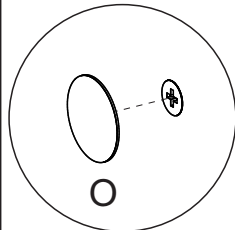
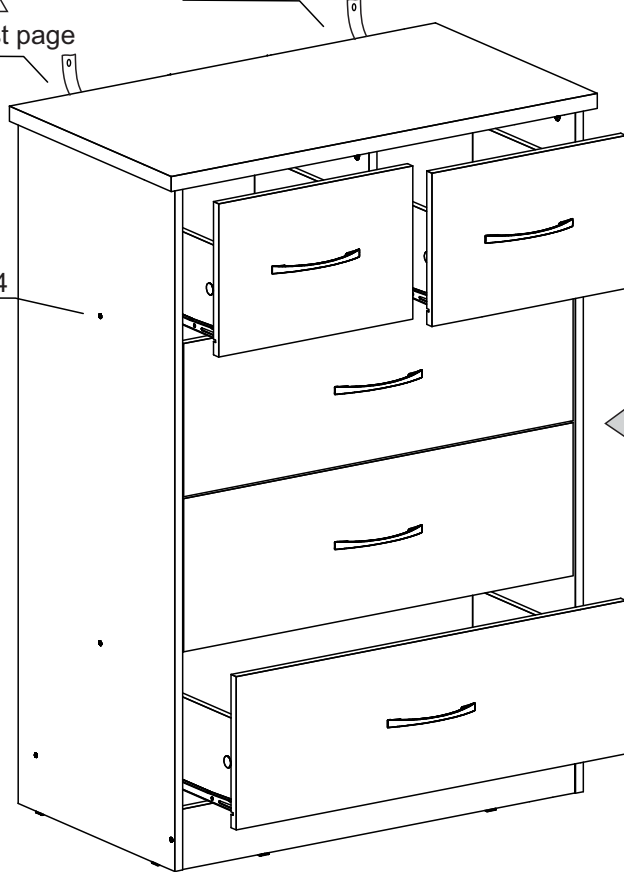
HARDWARE REQUIRED



TOOLS REQUIRED



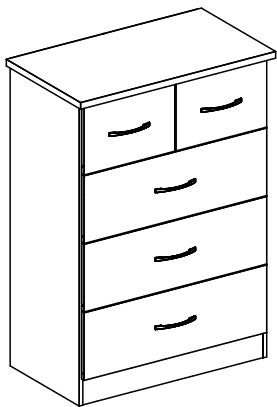
Detail 14



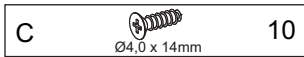
Detail 14

STEP 28

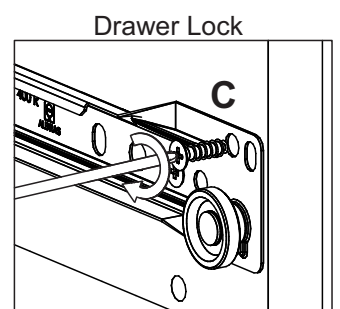
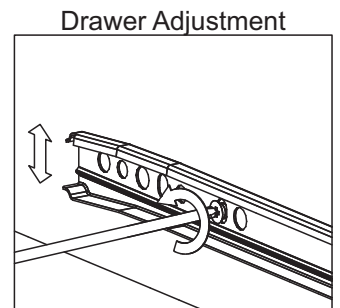
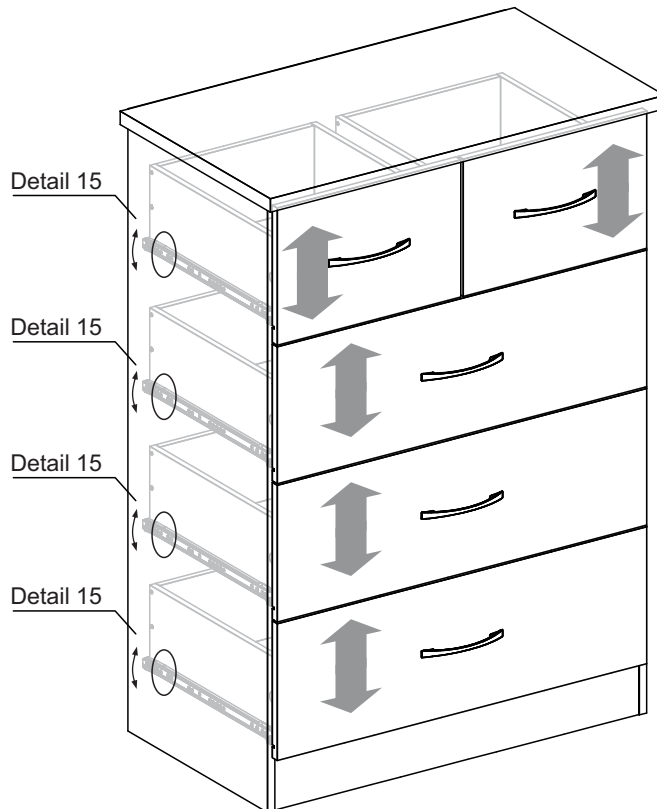
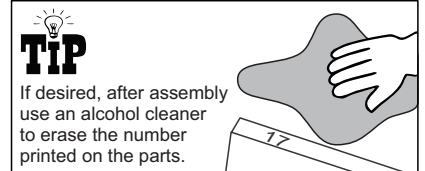
PARTS REQUIRED



HARDWARE REQUIRED



TOOLS REQUIRED



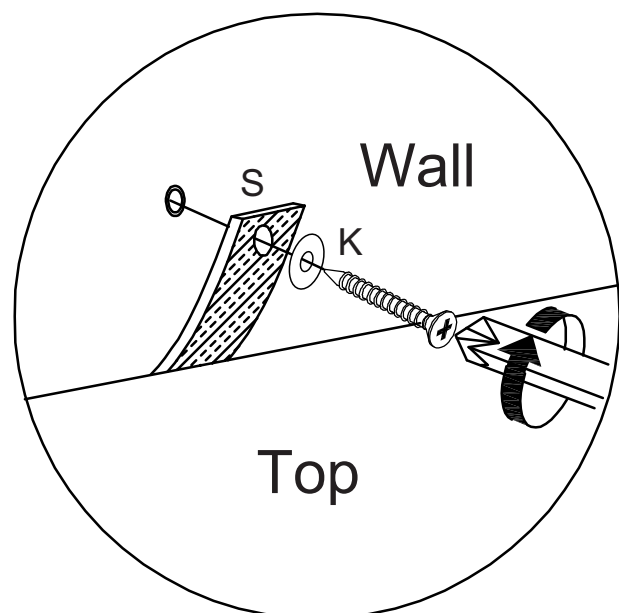
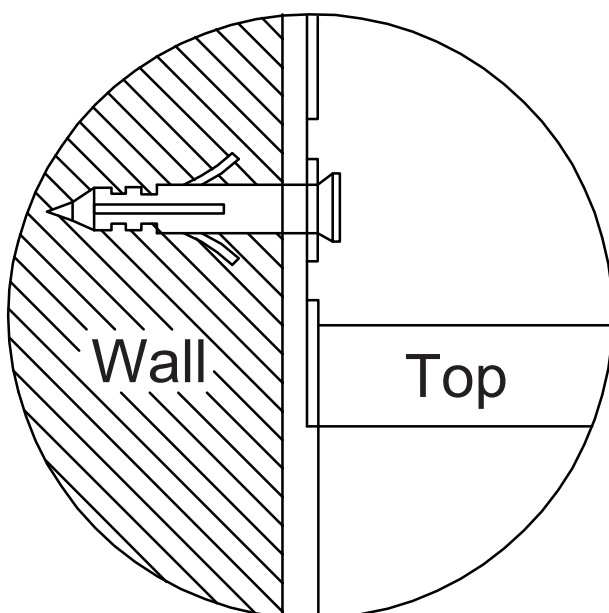
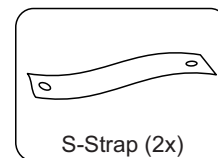
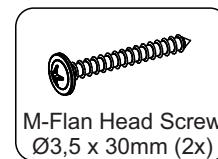
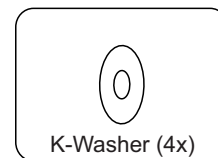
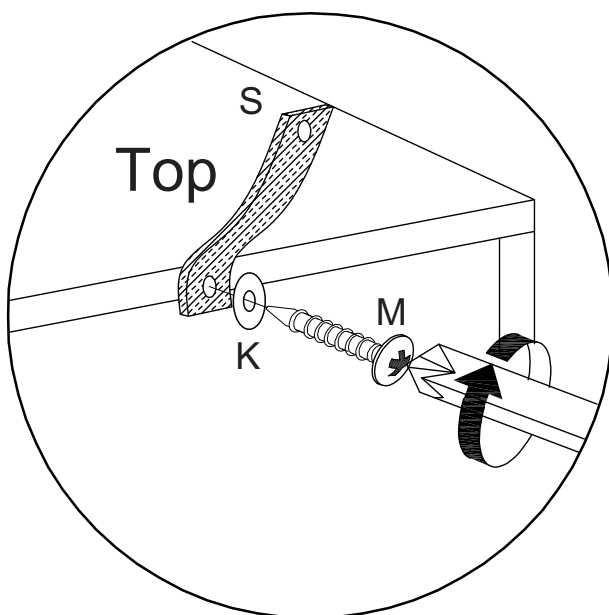
Detail 15

WARNING

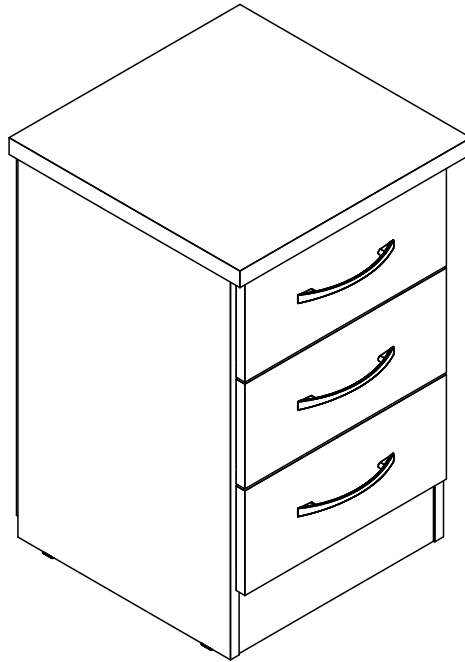
Serious or fatal injuries can occur from furniture tipping over. To prevent the furniture from tipping over we recommend that it is permanently fixed to the wall.

Wall fixings are not supplied with this product as different wall materials require different types of fixing devices.

Please make sure you use fixings suitable for the walls in your home.



NEVADA 3 DRAWER BEDSIDE ASSEMBLY INSTRUCTIONS



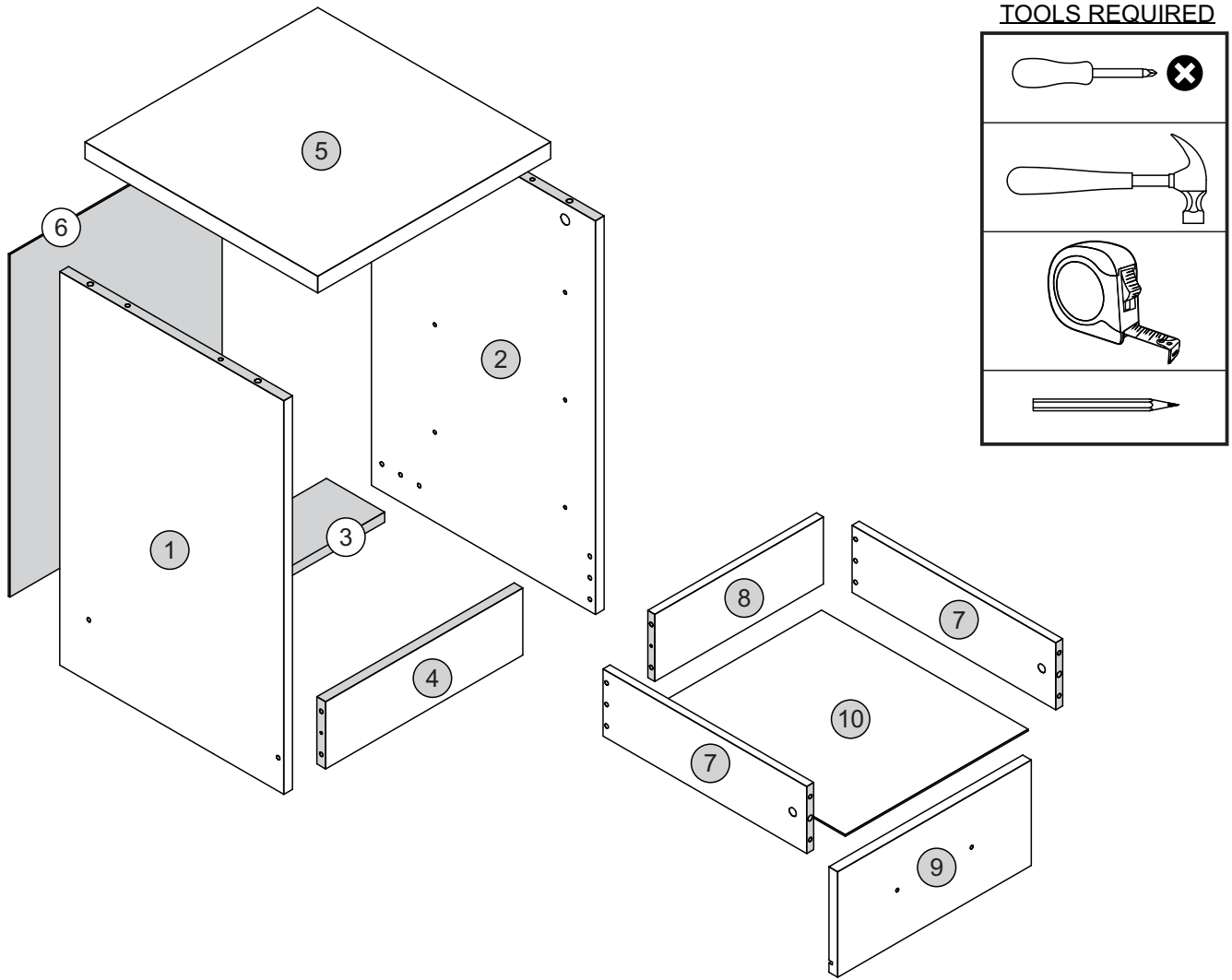
IMPORTANT FOR DOMESTIC USE ONLY

PLEASE READ BEFORE YOU CONTINUE FURTHER

CARE AND MAINTENANCE

After unpacking this product please keep the original packaging in case it needs to be returned for any reason.

- Please ensure all fittings and parts are present before commencing with assembly.
- Never drag or push products as this could cause damage to the joints making it inferior.
- We strongly recommend that you keep children away from your work area.
- We recommend that you lay a blanket or sheet on the floor to avoid damage to both your floor and the product.
- Assemble this product as close to its final position as possible.
- Do not place this product next to a radiator or in direct sunlight.
- Do not drag or push items across your high gloss furniture as this may cause the surface to scratch
- Wood is a natural product and may expand if subjected to damp and may shrink or crack if subjected to heat. Therefore it is recommended that room temperature is maintained, with no sudden temperature fluctuations.
- Make sure any spillage is wiped off immediately.
- Do not place hot or chilled items directly on to the surface, use a place mat or marking will occur.
- For general cleaning use a soft cotton or micro fibre cloth, and do not use detergents of any kind.
- From time to time it may be necessary to tighten fittings, regular inspections should be carried out.
- Do not place on a wet or damp floor as staining may occur to your floor.




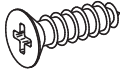
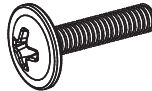
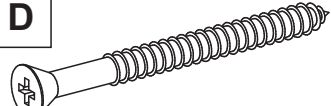


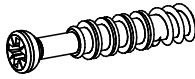





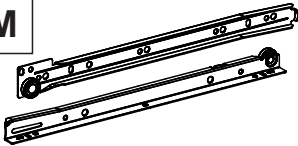
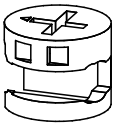

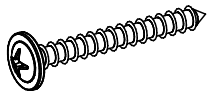

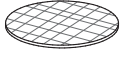
PARTS LIST

Please Note:
The below parts have all been stamped with the part number to help identify them during assembly.

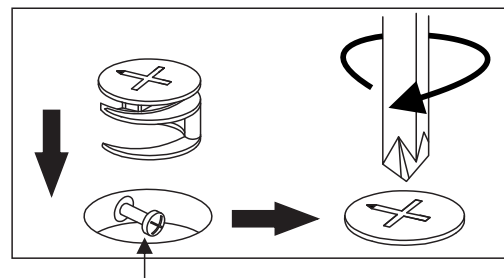
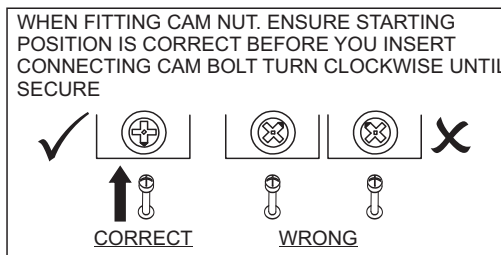
Part Number	Part Description	Quantity	Carton
01	Left Side Panel	1	1/1
02	Right Side Panel	1	1/1
03	Back Baseboard	1	1/1
04	Front Baseboard	1	1/1
05	Top Panel	1	1/1
06	Back Panel	1	1/1
07	Drawer Side	6	1/1
08	Drawer Back Panel	3	1/1
09	Drawer Front	3	1/1
10	Drawer Bottom	3	1/1

FITTINGS LIST

SEC/SH/05/22/CA8

<p>A</p>  <p>Flat Head Screw 1/+ Ø6,0 x 10mm (12x)</p>	<p>B</p>  <p>Flat Head Screw 2/+ Ø4,0 x 14mm (18x)</p>	<p>C</p>  <p>Flan Head Screw 1/+ Ø4,0 x 20mm (6x)</p>	<p>D</p>  <p>Flat Head Screw 2/+ Ø4,0 x 50mm (10x)</p>
<p>E</p>  <p>2/+ Dowel Ø6,0 x 30mm (36x)</p>	<p>F</p>  <p>2/+ Nail 10 x 10 (42x)</p>	<p>G</p>  <p>2/+ Cam Bolt (10x)</p>	<p>H</p>  <p>1/+ Cam Nut Ø12mm (6x)</p>
<p>I</p>  <p>1/+ Plastic Foot (4x)</p>	<p>J</p>  <p>2/+ Hole Plugs (4x)</p>	<p>K</p>  <p>Glue (1x)</p>	<p>L</p>  <p>Handle (3x)</p>
<p>M</p>  <p>Drawer Runners (3x)</p>	<p>N</p>  <p>1/+ Cam Nut Ø15mm (4x)</p>	<p>O</p>  <p>Strap (1x)</p>	<p>P</p>  <p>1/+ Flan Head Screw Ø3,5 x 30mm (1x)</p>
<p>Q</p>  <p>1/+ Washer (2x)</p>	<p>R</p>  <p>2/+ Hole Plugs (6x)</p>		

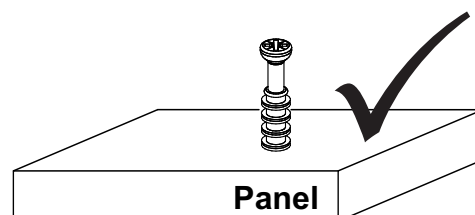
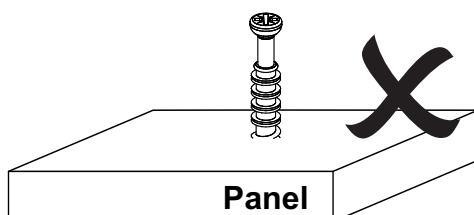
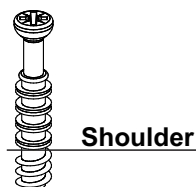
TIPS FOR FITTINGS CAM-LOCKS



Cam bolt head needs to be in centre

CAMBOLT

Tighten until shoulder in flush with panel. Do not overtighten or undertighten (see example beside)




STEP 1


SEC/SH/05/22/CA8

PARTS REQUIRED

1 - LEFT SIDE PANEL x1

HARDWARE REQUIRED

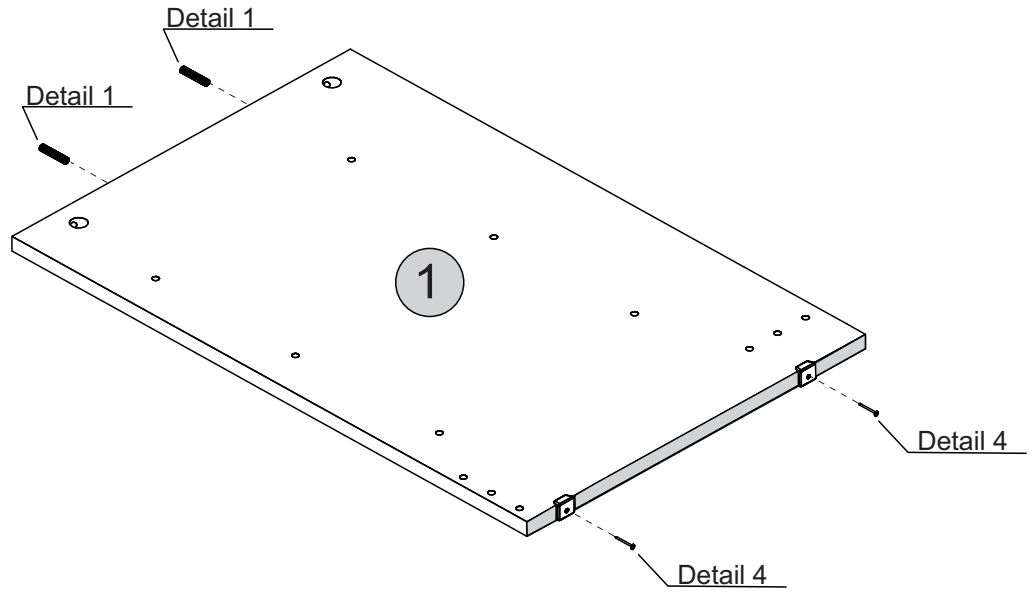
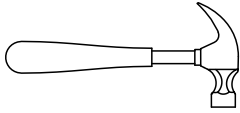
E  02
Ø6,0 x 30mm

F  02
10 x 10

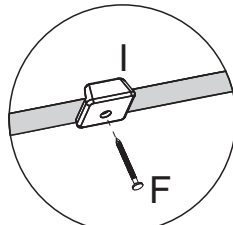
I  02

K  01
GLUE

TOOLS REQUIRED



Detail 1




Detail 4


STEP 2

PARTS REQUIRED

2 - RIGHT SIDE PANEL x1

HARDWARE REQUIRED

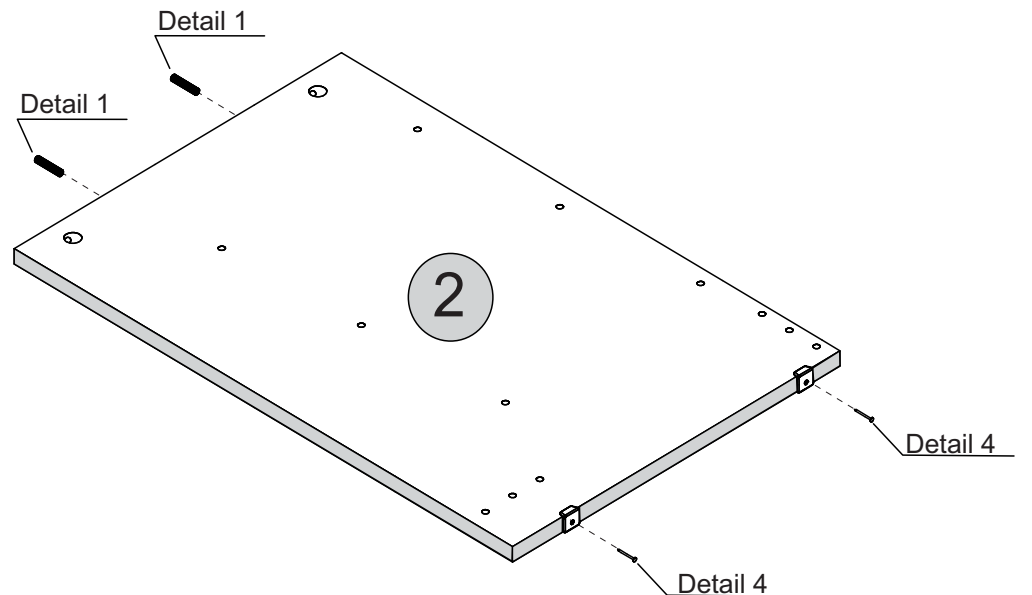
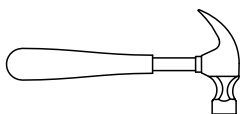
E  02
Ø6,0 x 30mm

F  02
10 x 10

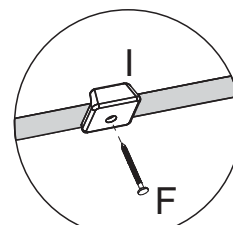
I  02

K  01
GLUE

TOOLS REQUIRED



Detail 1



Detail 4


STEP 3

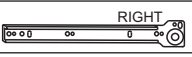
PARTS REQUIRED

2 - RIGHT SIDE PANEL x1

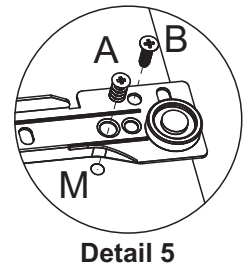
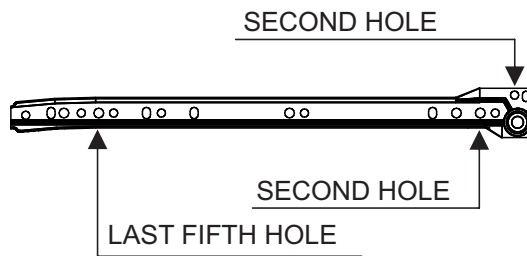
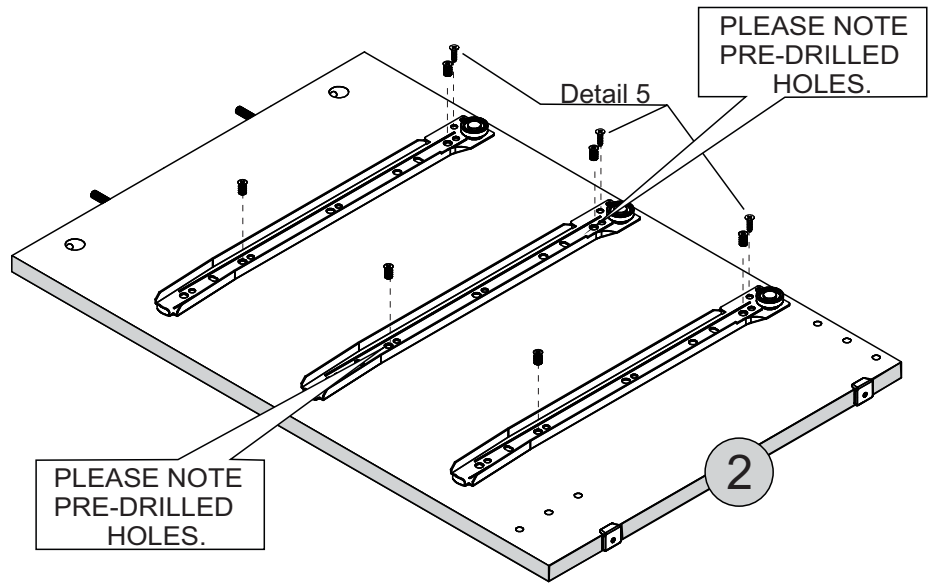
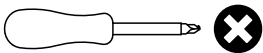
HARDWARE REQUIRED

A  06
Ø6.0 x 10mm

B  03
Ø4.0 x 14mm

M  03
RIGHT

TOOLS REQUIRED





STEP 4

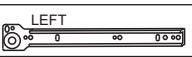
PARTS REQUIRED

1 - LEFT SIDE PANEL x1

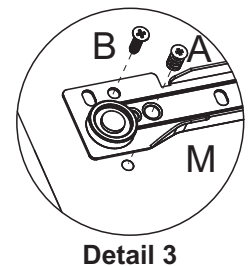
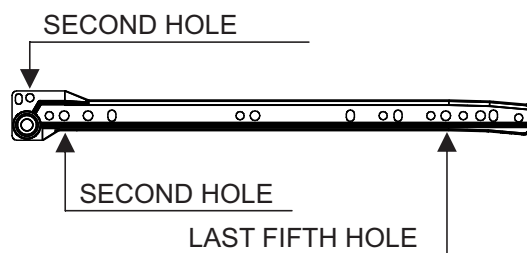
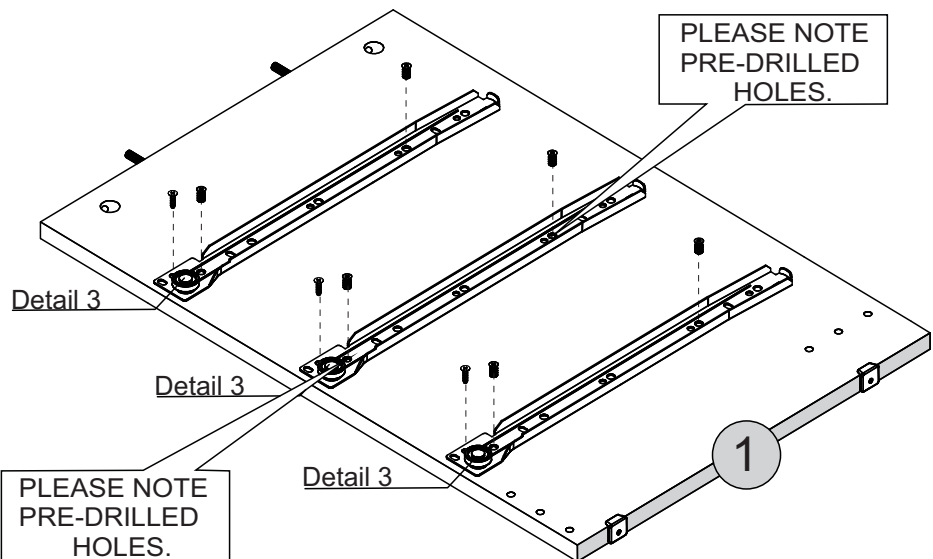
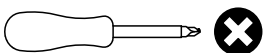
HARDWARE REQUIRED

A  06
Ø6.0 x 10mm

B  03
Ø4.0 x 14mm

M  03
LEFT

TOOLS REQUIRED



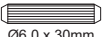
STEP 5

PARTS REQUIRED

3 - BACK BASEBOARD x1

4 - FRONT BASEBOARD x1

HARDWARE REQUIRED

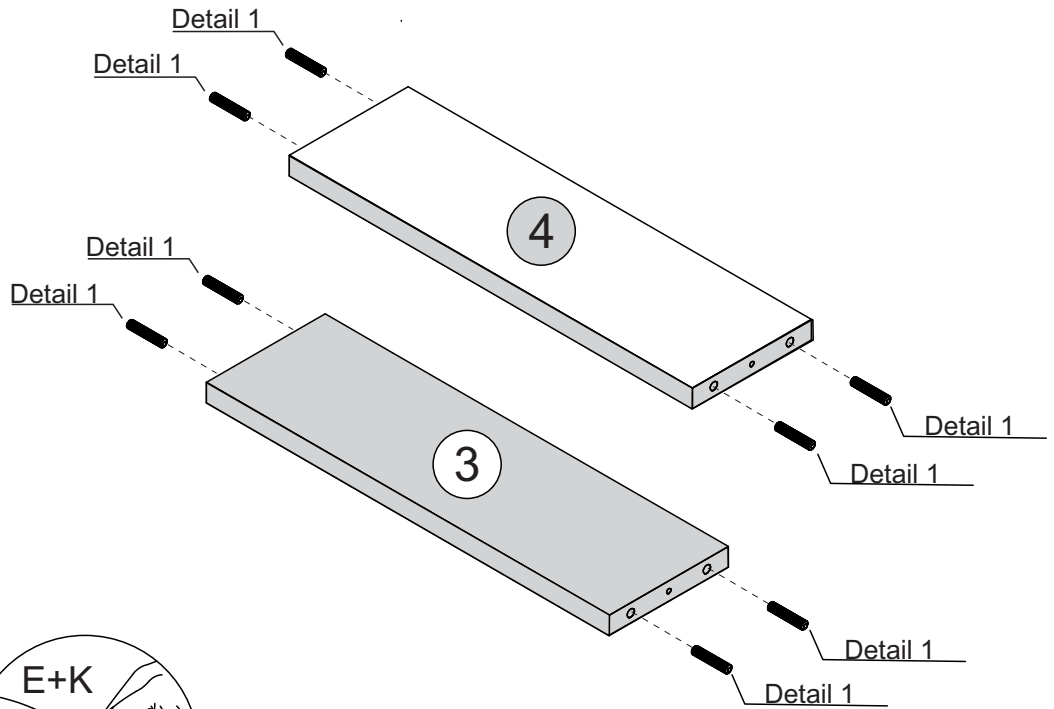
E  08
Ø6,0 x 30mm

K  01
GLUE

TOOLS REQUIRED



Detail 1



STEP 6

PARTS REQUIRED

2 - RIGHT SIDE PANEL x1

3 - BACK BASEBOARD x1

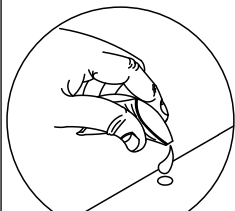
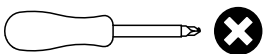
4 - FRONT BASEBOARD x1

HARDWARE REQUIRED

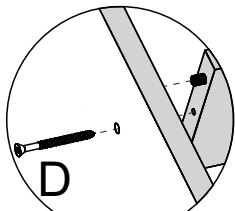
D  02
Ø4 x 50mm

K  01
GLUE

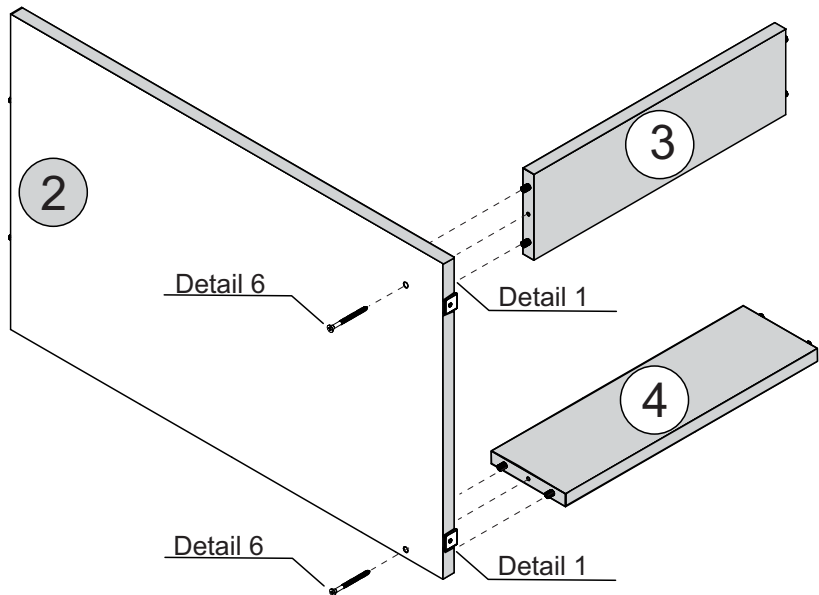
TOOLS REQUIRED



Detail 1



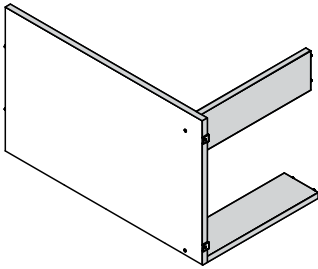
Detail 6




STEP 7

PARTS REQUIRED

1 - LEFT SIDE PANEL x1

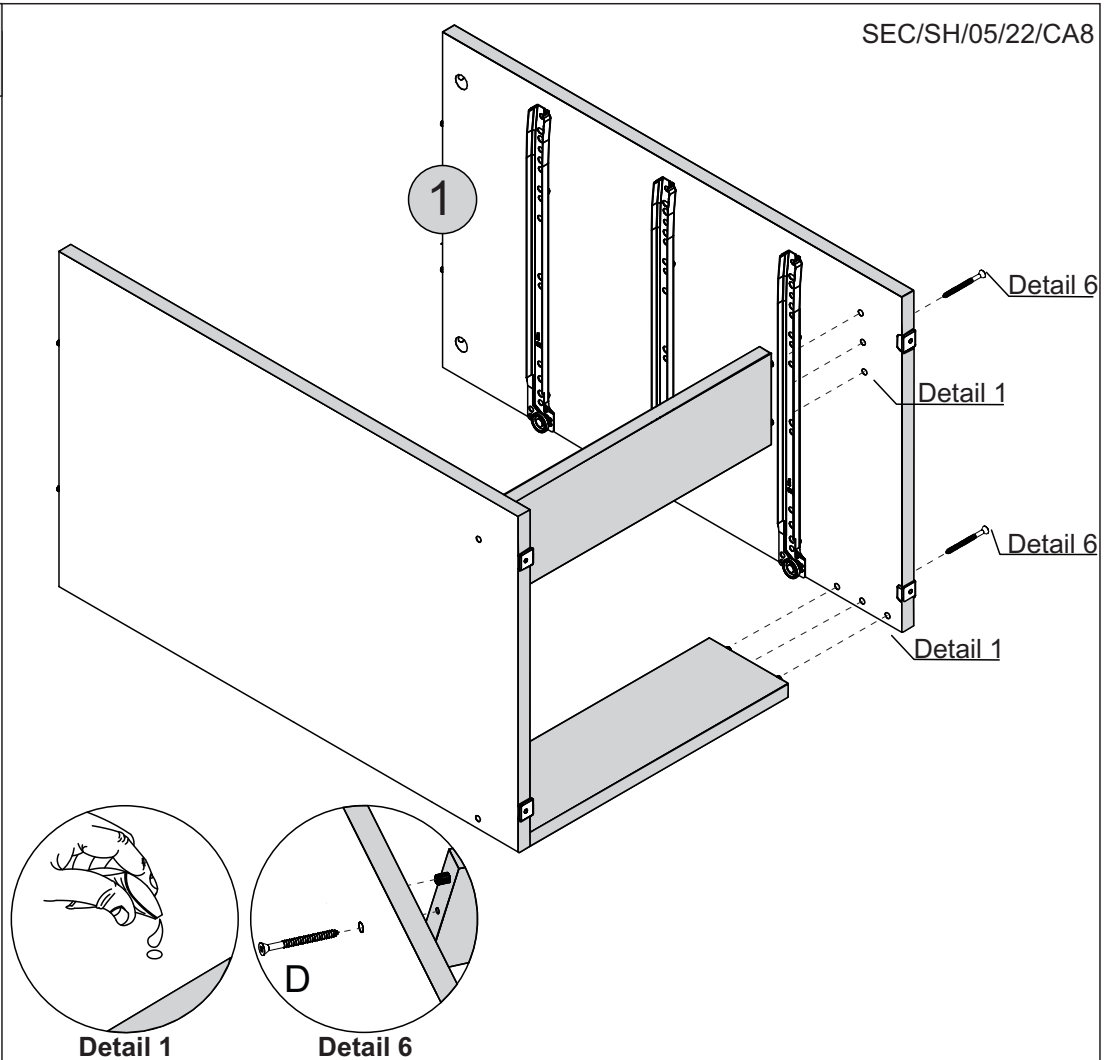
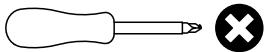


HARDWARE REQUIRED

D  02
Ø4 x 50mm

K  01
GLUE

TOOLS REQUIRED



Detail 1


Detail 6

STEP 8

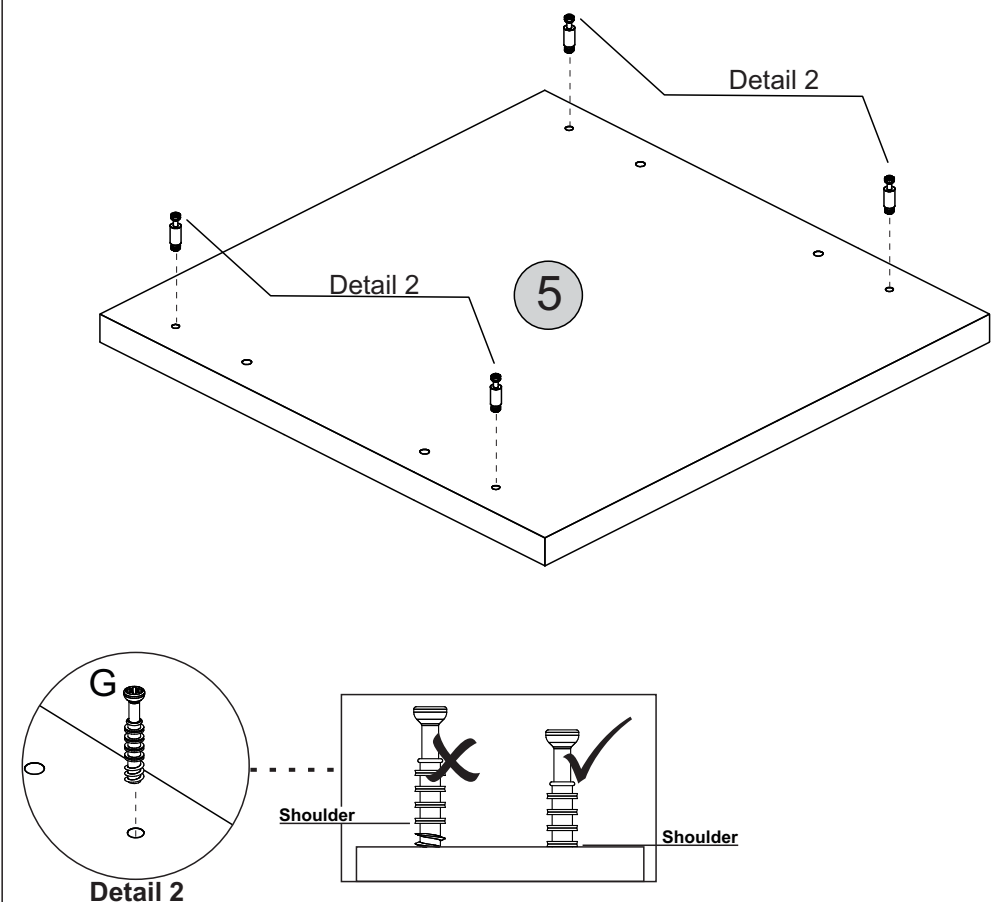
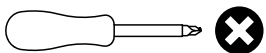
PARTS REQUIRED

5 - TOP PANEL x1

HARDWARE REQUIRED

G  04

TOOLS REQUIRED

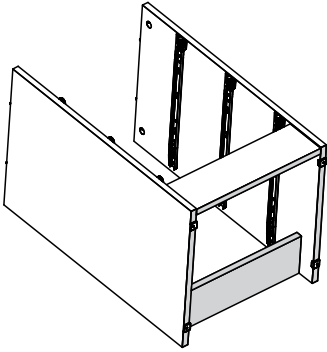


Detail 2

STEP 9

PARTS REQUIRED

5 - TOP PANEL x1

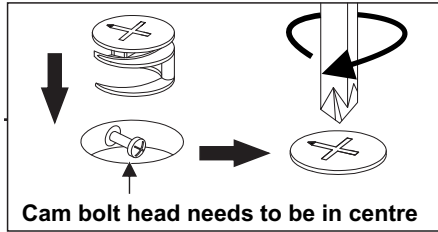
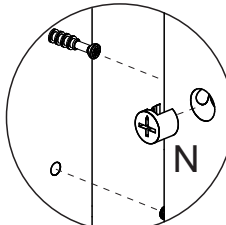
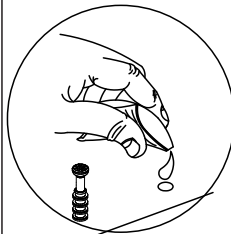
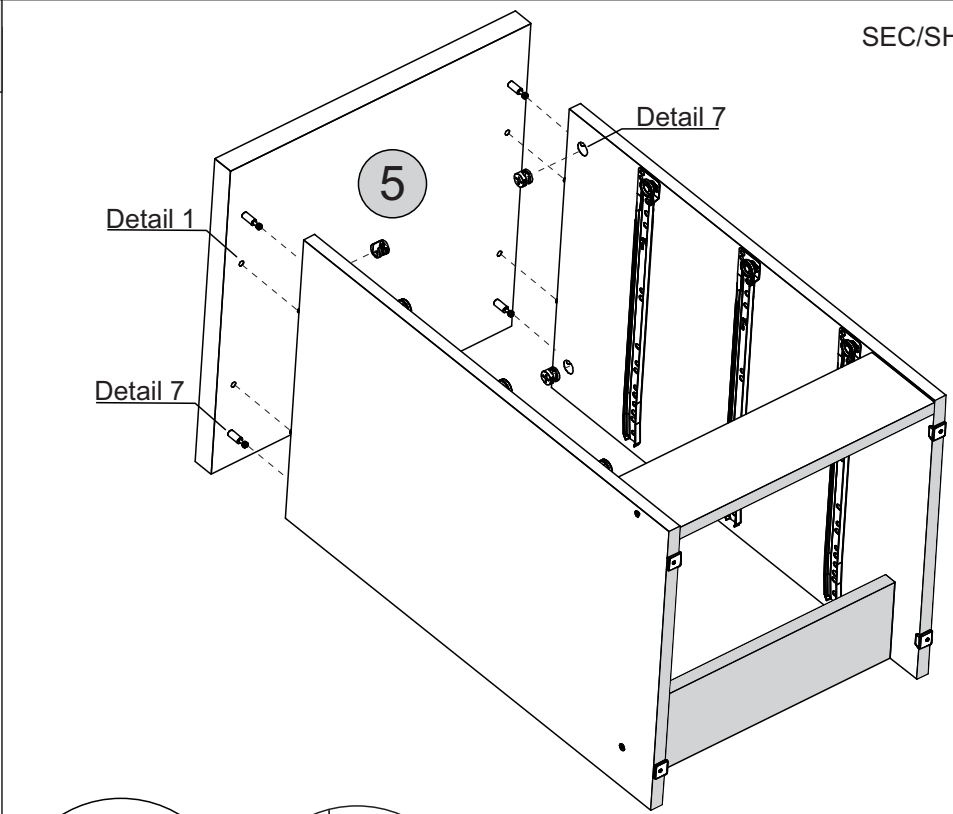
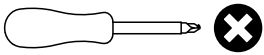


HARDWARE REQUIRED

K  01

N  04

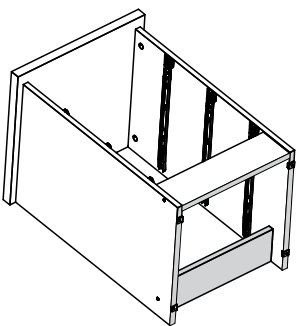
TOOLS REQUIRED




STEP 10

PARTS REQUIRED

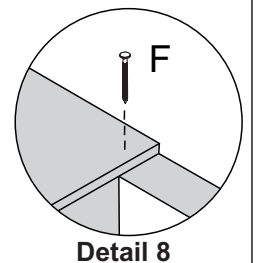
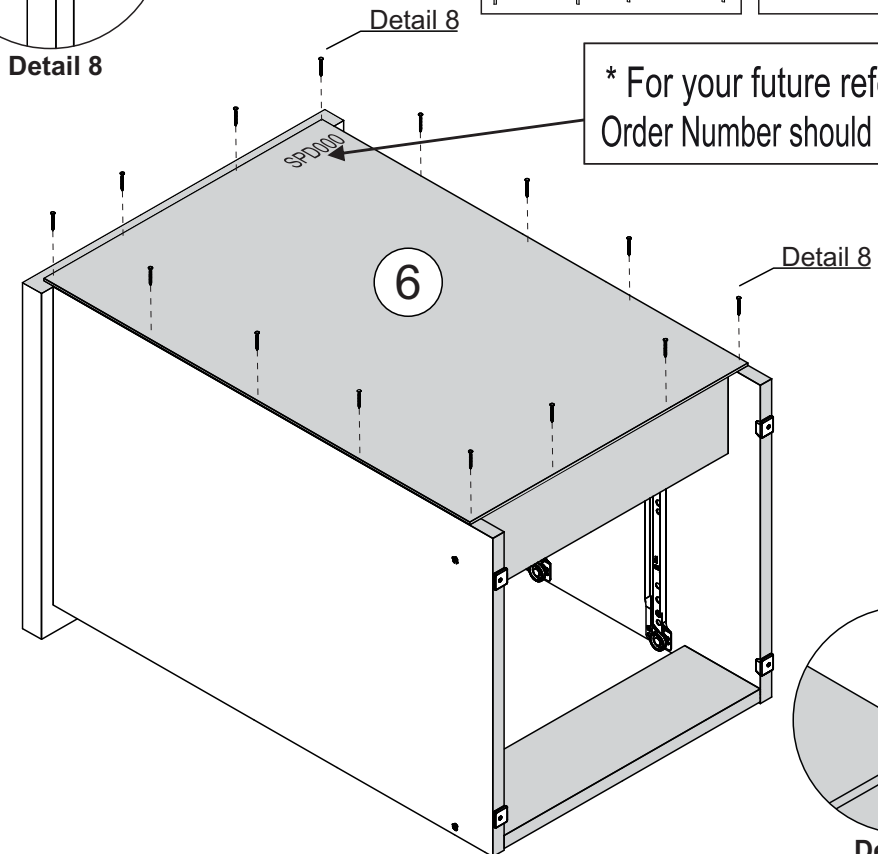
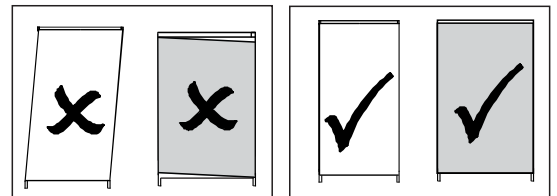
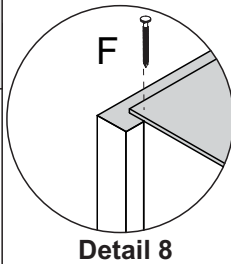
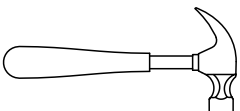
6 - BACK PANEL x1



HARDWARE REQUIRED

F  14

TOOLS REQUIRED



STEP 11


SEC/SH/05/22/CA8

PARTS REQUIRED

7 - DRAWER SIDE x6

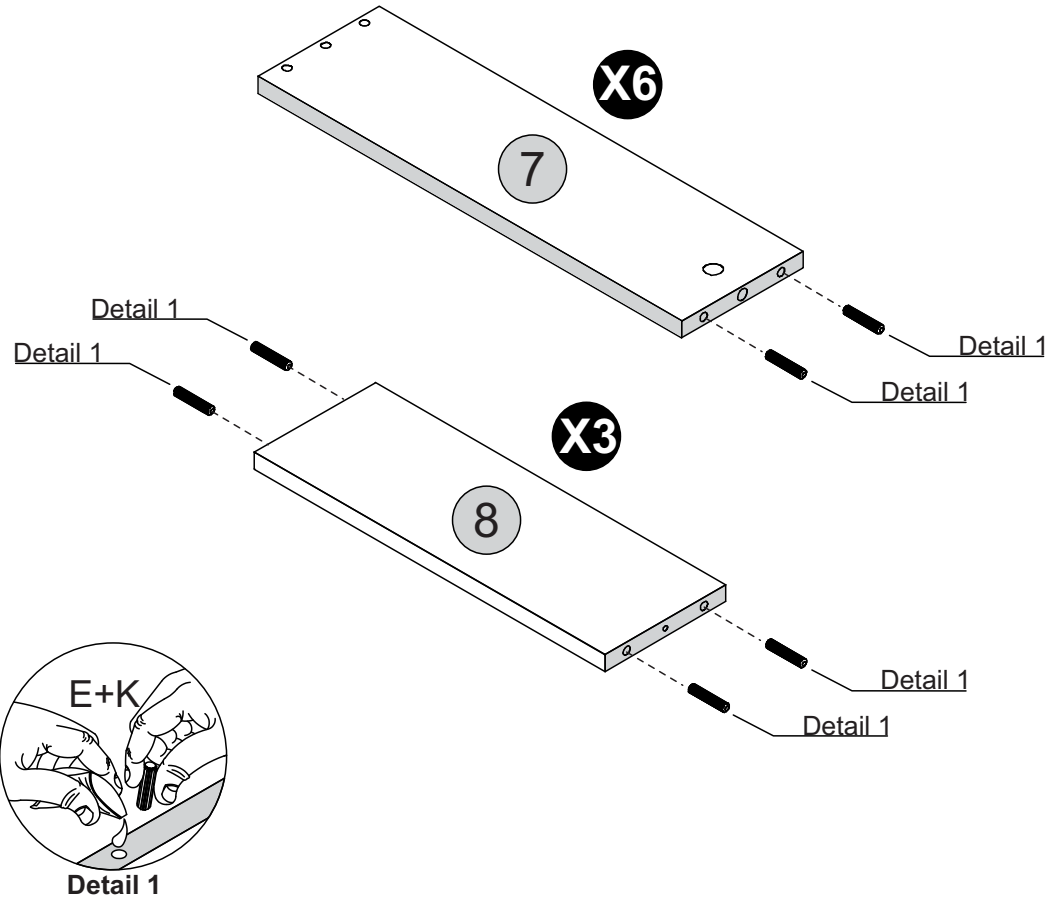
8 - DRAWER BACK PANEL x3

HARDWARE REQUIRED

E  24
Ø6 x 30mm

K  01
GLUE

TOOLS REQUIRED

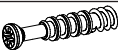


STEP 12

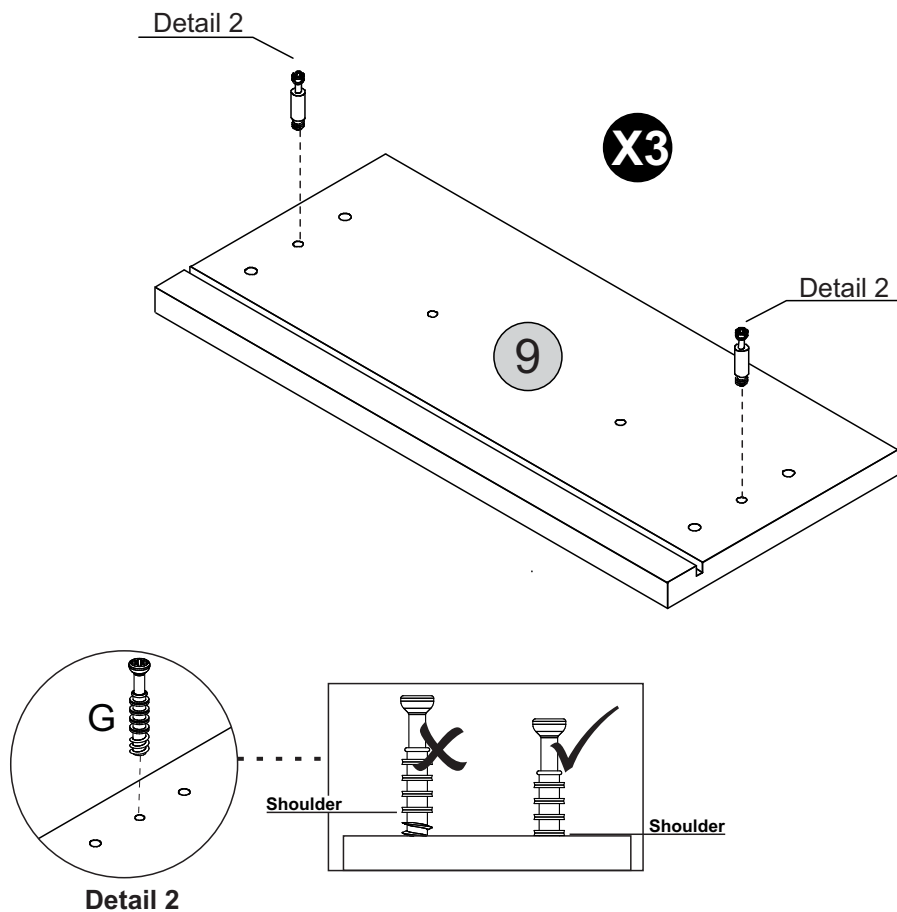
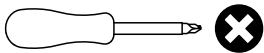
PARTS REQUIRED

9 - DRAWER FRONT x3

HARDWARE REQUIRED

G  06

TOOLS REQUIRED




STEP 13

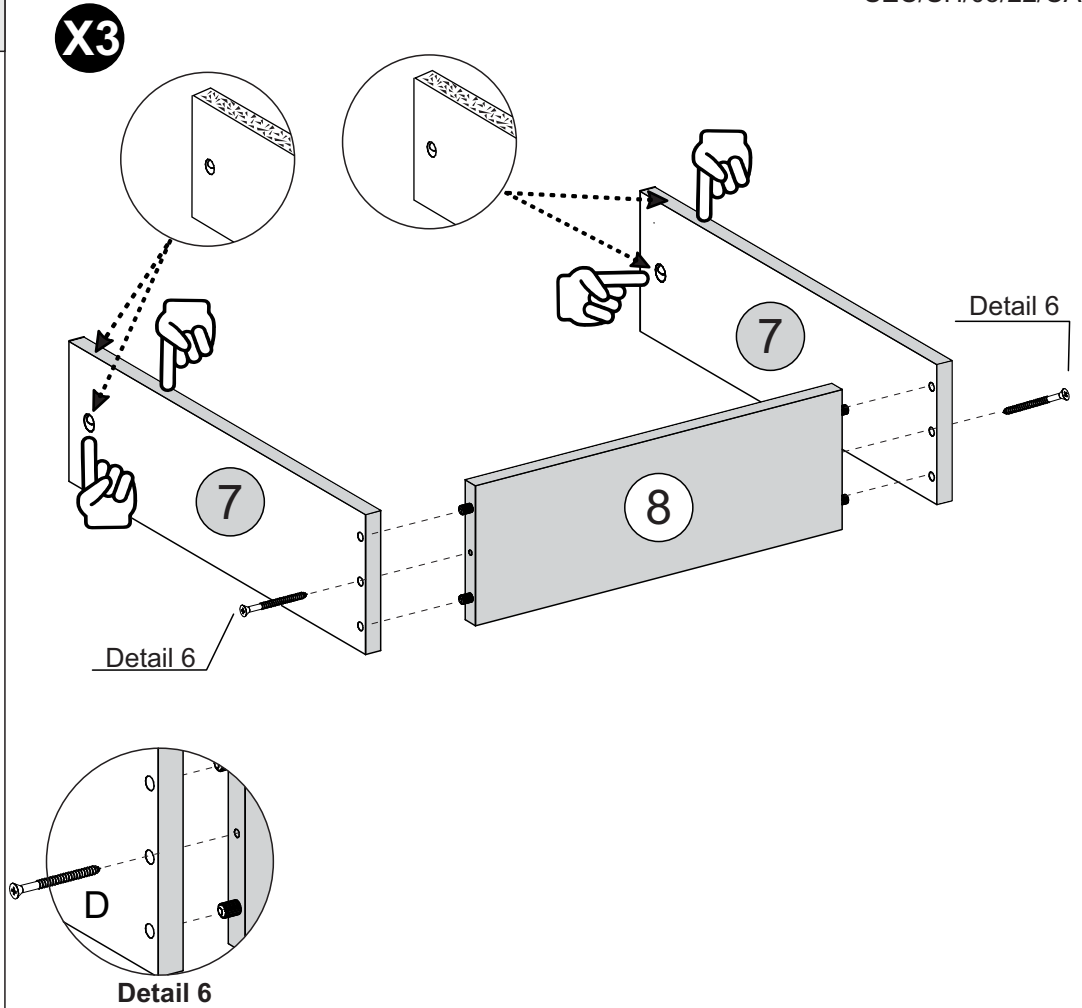
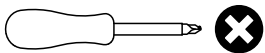
PARTS REQUIRED

- 7 - DRAWER SIDE x6
- 8 - DRAWER BACK PANEL x3

HARDWARE REQUIRED

- D  06
Ø4 x 50mm

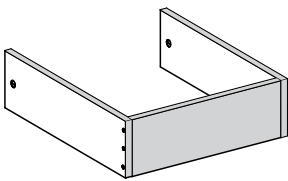
TOOLS REQUIRED



STEP 14

PARTS REQUIRED

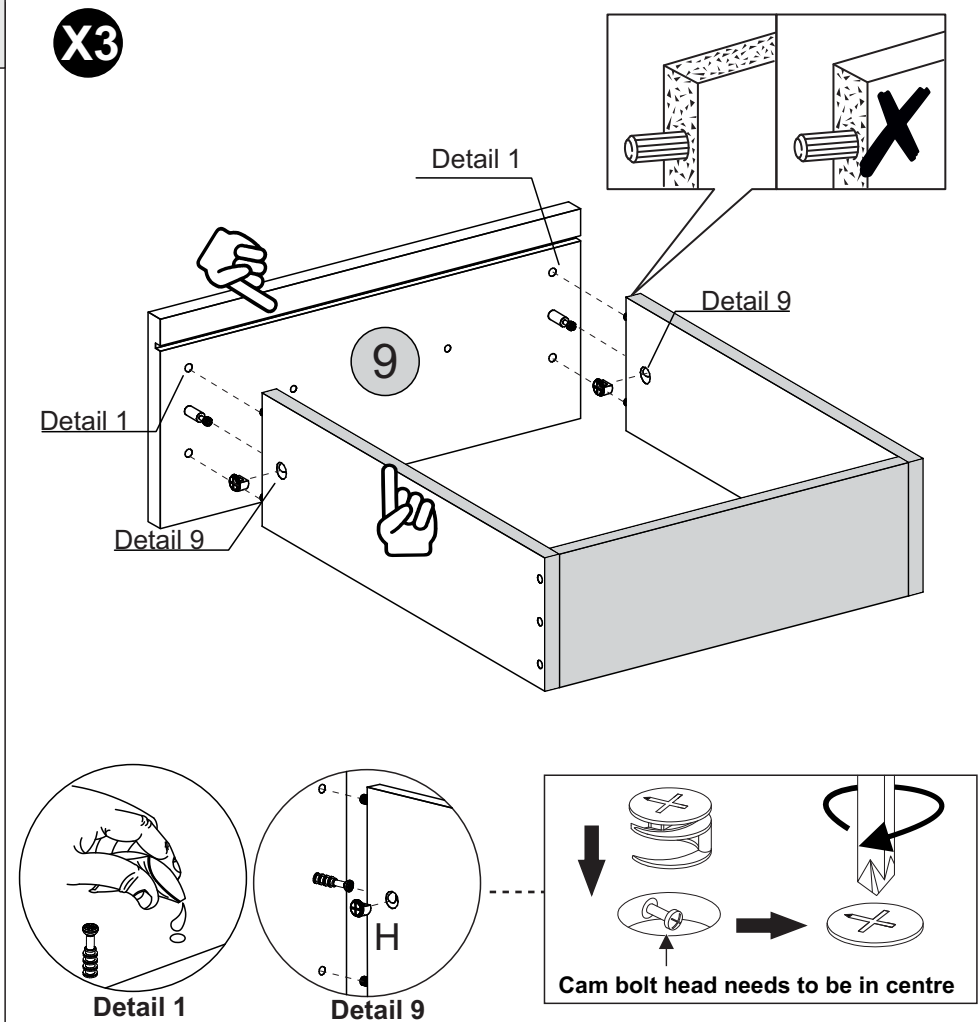
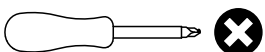
- 9 - DRAWER FRONT x3



HARDWARE REQUIRED

- H  06
- K  01
GLUE

TOOLS REQUIRED

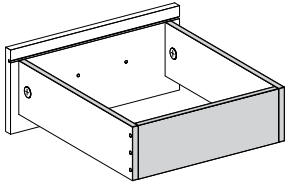


STEP 15

SEC/SH/05/22/CA8

PARTS REQUIRED

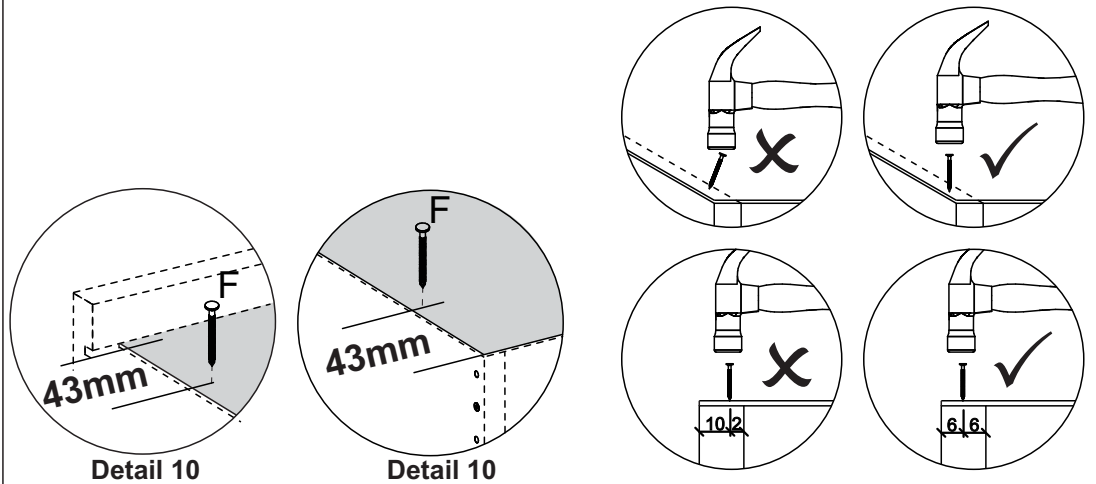
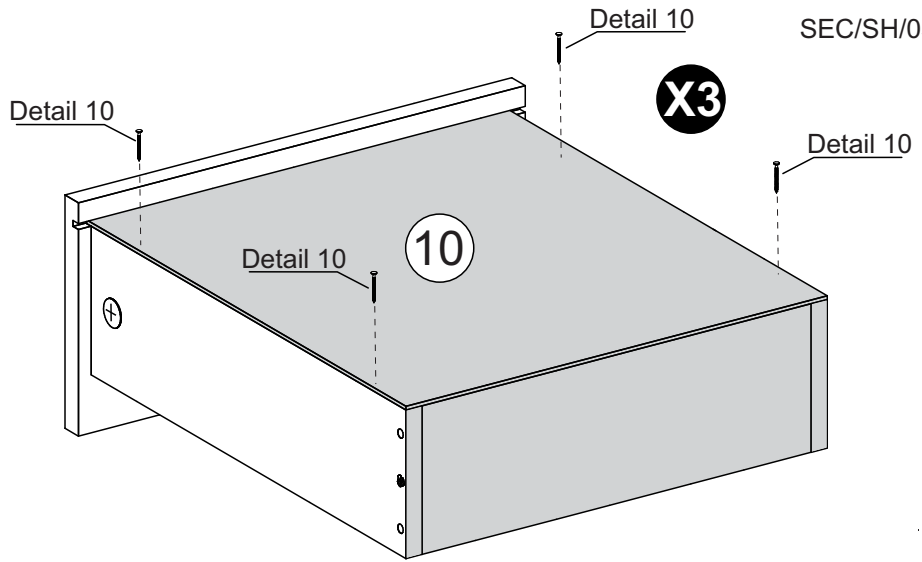
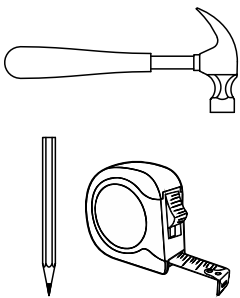
10 - DRAWER BOTTOM x3



HARDWARE REQUIRED

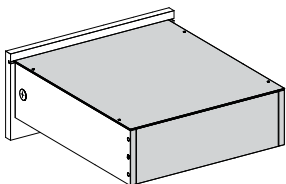
F 10 x 10 12

TOOLS REQUIRED



STEP 16

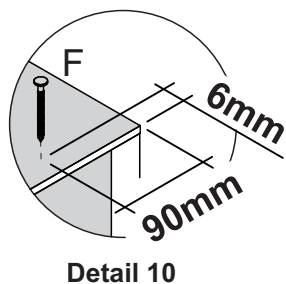
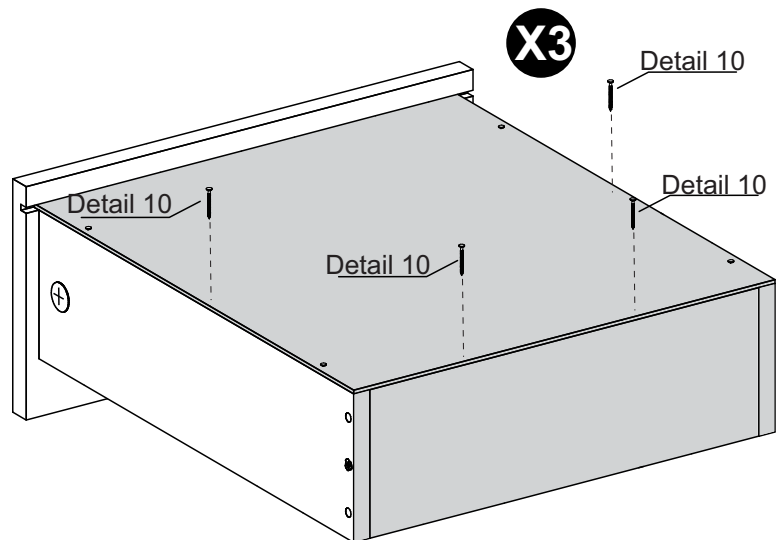
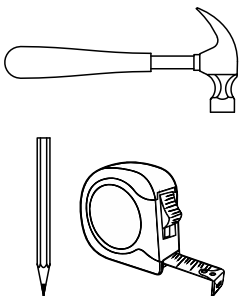
PARTS REQUIRED



HARDWARE REQUIRED

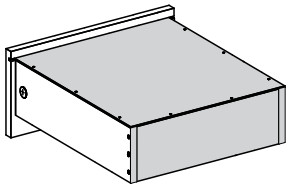
F 10 x 10 12

TOOLS REQUIRED



STEP 17

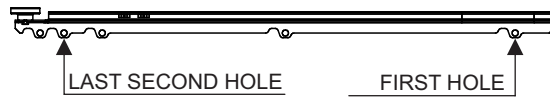
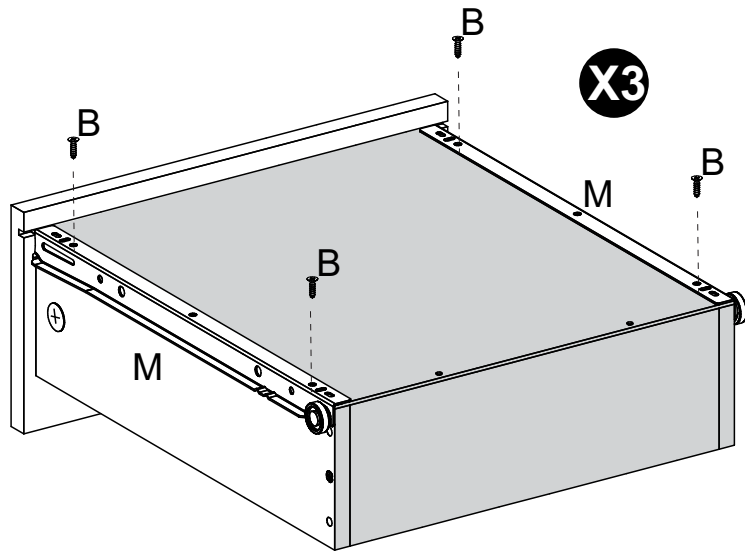
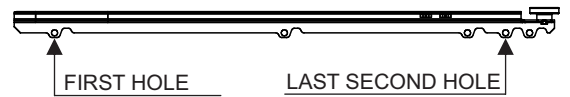
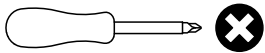
PARTS REQUIRED



HARDWARE REQUIRED

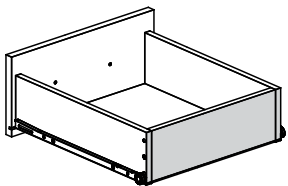


TOOLS REQUIRED

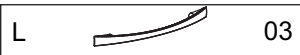
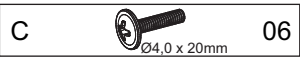


STEP 18

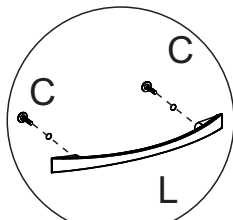
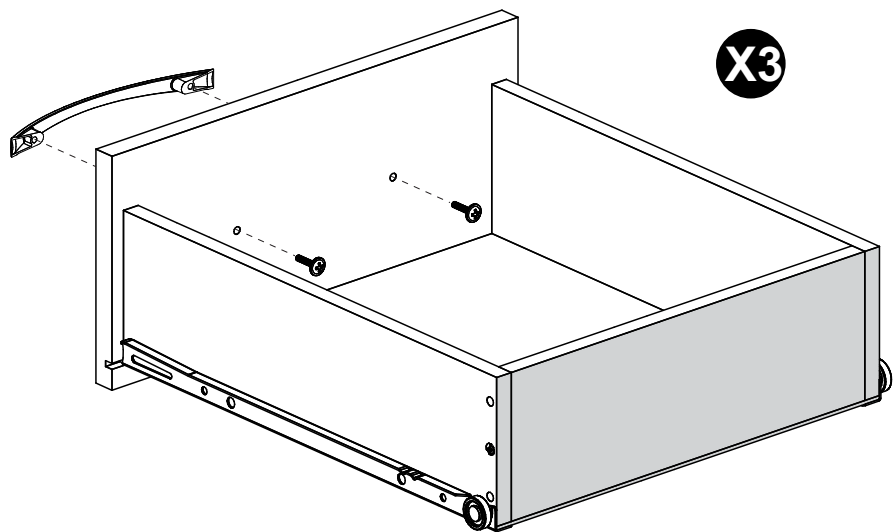
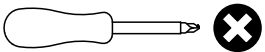
PARTS REQUIRED



HARDWARE REQUIRED



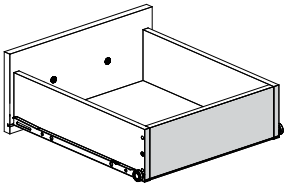
TOOLS REQUIRED



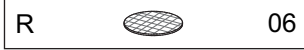
Detail 11

STEP 19

PARTS REQUIRED

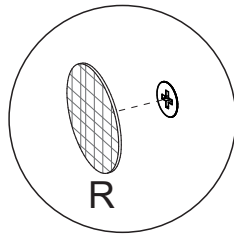
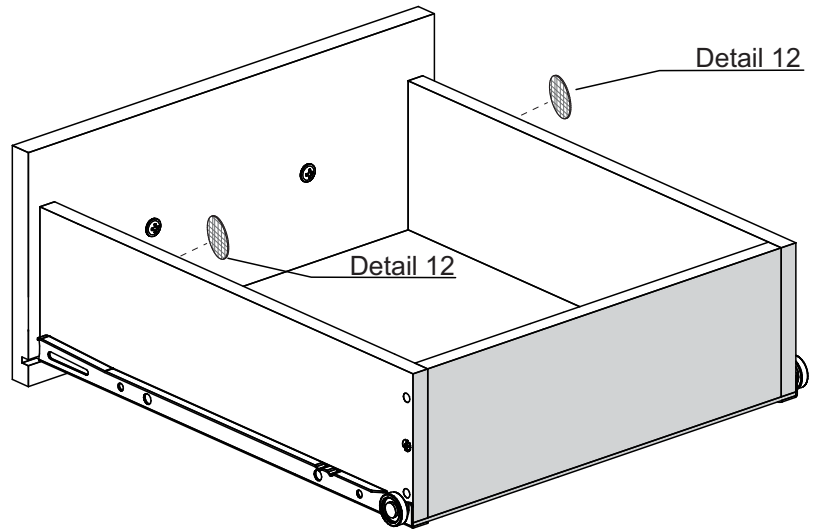


HARDWARE REQUIRED



TOOLS REQUIRED

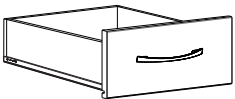
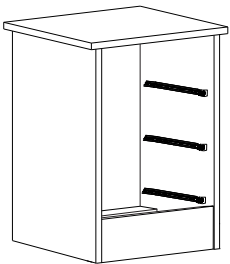
X3



Detail 12

STEP 20

PARTS REQUIRED



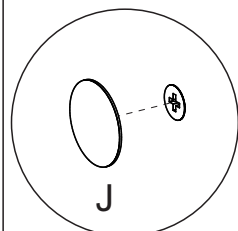
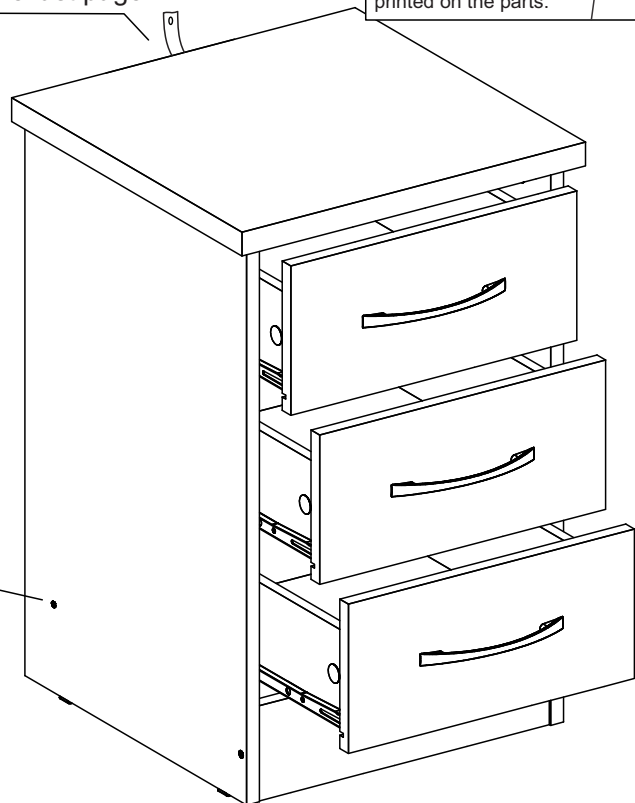
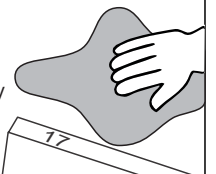
HARDWARE REQUIRED



TOOLS REQUIRED


See the last page

TIP
If desired, after assembly use an alcohol cleaner to erase the number printed on the parts.



Detail 12

WARNING

Serious or fatal injuries can occur from furniture tipping over. To prevent the furniture from tipping over we recommend that it is permanently fixed to the wall.

Wall fixings are not supplied with this product as different wall materials require different types of fixing devices.

Please make sure you use fixings suitable for the walls in your home.

