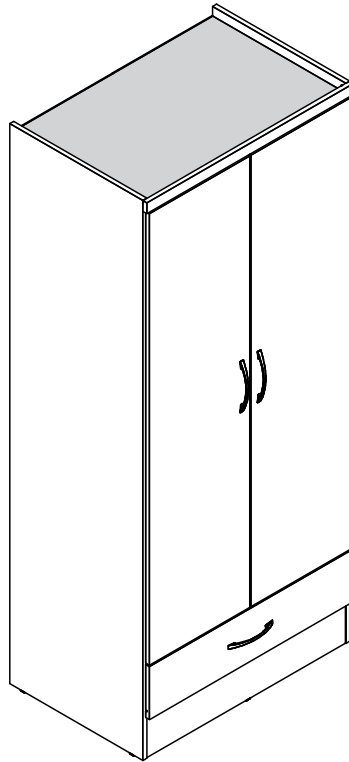


# NEVADA 2 DOOR 1 DRAWER WARDROBE

## ASSEMBLY INSTRUCTIONS



### **IMPORTANT**

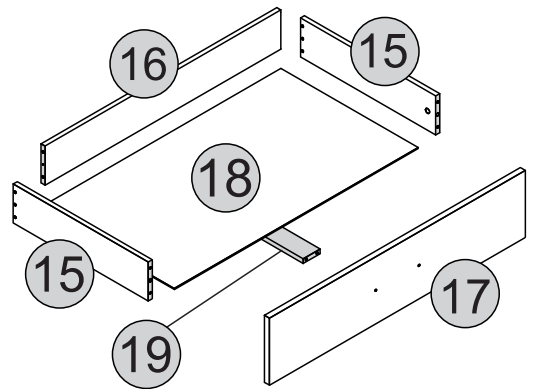
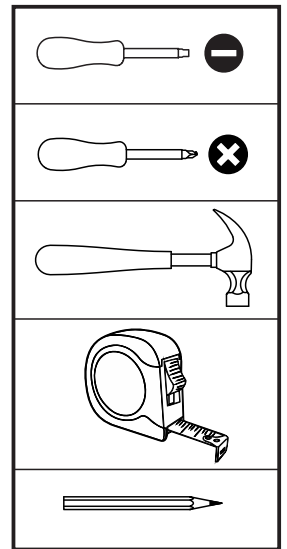
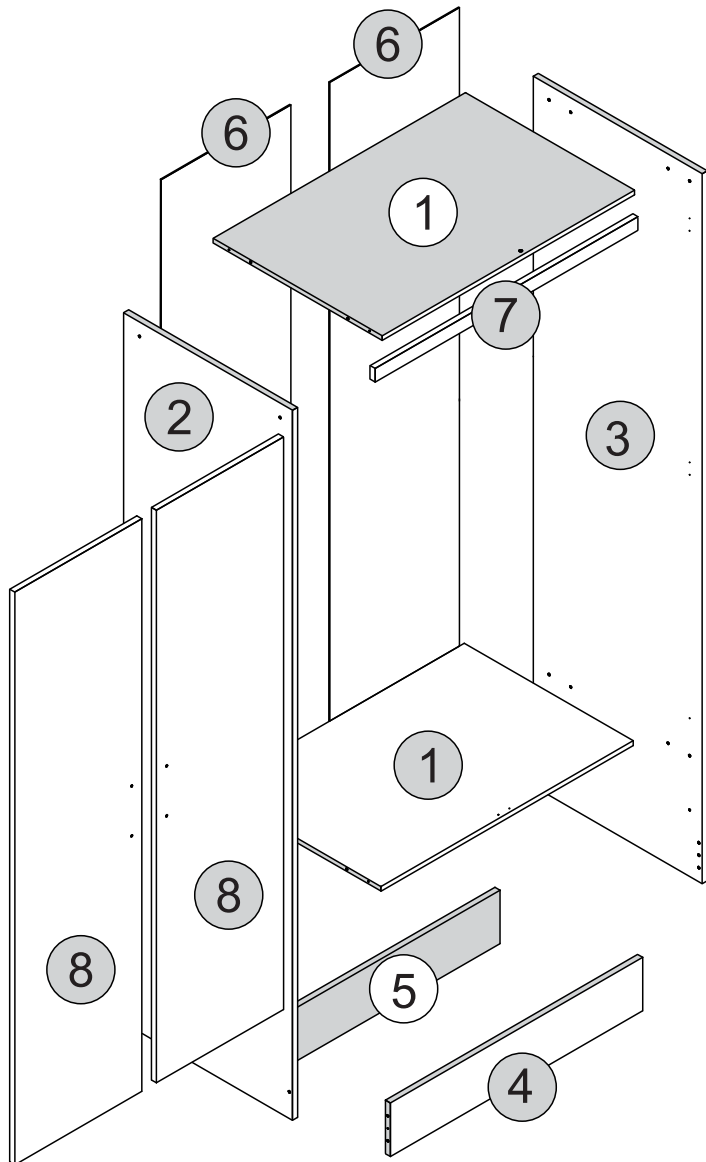
### **FOR DOMESTIC USE ONLY**

**PLEASE READ BEFORE YOU CONTINUE FURTHER**

## **CARE AND MAINTENANCE**

After unpacking this product please keep the original packaging in case it needs to be returned for any reason.

- Please ensure all fittings and parts are present before commencing with assembly.
- Never drag or push products as this could cause damage to the joints making it inferior.
- We strongly recommend that you keep children away from your work area.
- We recommend that you lay a blanket or sheet on the floor to avoid damage to both your floor and the product.
- Assemble this product as close to its final position as possible.
- Do not place this product next to a radiator or in direct sunlight.
- Do not drag or push items across your high gloss furniture as this may cause the surface to scratch
- Wood is a natural product and may expand if subjected to damp and may shrink or crack if subjected to heat. Therefore it is recommended that room temperature is maintained, with no sudden temperature fluctuations.
- Make sure any spillage is wiped off immediately.
- Do not place hot or chilled items directly on to the surface, use a place mat or marking will occur.
- For general cleaning use a soft cotton or micro fibre cloth, and do not use detergents of any kind.
- From time to time it may be necessary to tighten fittings, regular inspections should be carried out.
- Do not place on a wet or damp floor as staining may occur to your floor.




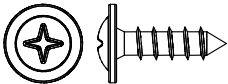
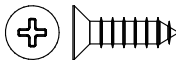
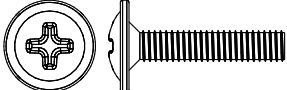
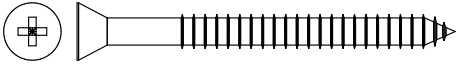


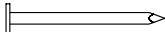

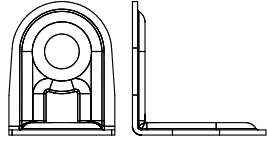
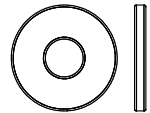
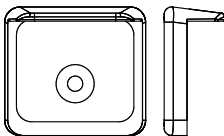
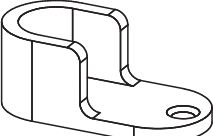
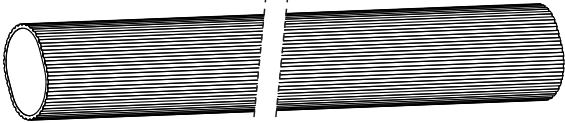
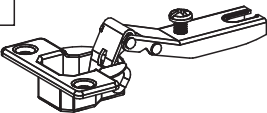

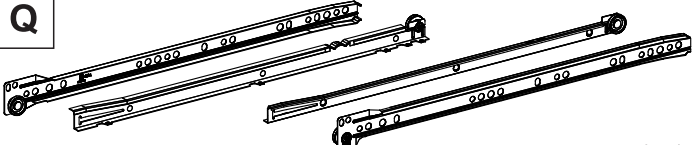
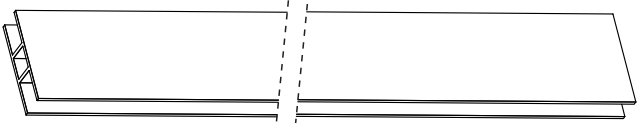




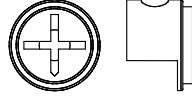
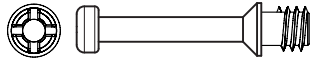
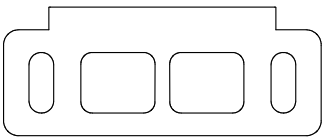
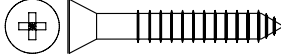
### PARTS LIST

**Please Note:**  
The below parts have all been stamped with the part number to help identify them during assembly.

| Part Number | Part Description          | Quantity | Carton |
|-------------|---------------------------|----------|--------|
| 01          | Base-Top Panel            | 2        | 1/2    |
| 02          | Left Side Panel           | 1        | 1/2    |
| 03          | Right Side Panel          | 1        | 1/2    |
| 04          | Front Baseboard           | 1        | 2/2    |
| 05          | Back Baseboard            | 1        | 2/2    |
| 06          | Back Panel                | 2        | 1/2    |
| 07          | Frame                     | 1        | 2/2    |
| 08          | Door                      | 2        | 2/2    |
| 15          | Drawer Side               | 2        | 1/2    |
| 16          | Drawer Back Panel         | 1        | 2/2    |
| 17          | Drawer Front              | 1        | 2/2    |
| 18          | Drawer Bottom             | 1        | 1/2    |
| 19          | Drawer Bottom Support Bar | 1        | 2/2    |


# FITTINGS LIST

SEC/SW/03/22/DM1

|   |  |  |  |
|---|--|--|--|
| <p><b>A</b></p>  <p>Flat Head Screw<br/>Ø6,0 x 8mm (4x)</p> <p>1/+</p>   | <p><b>B</b></p>  <p>Flan Head Screw<br/>Ø3,5 x 12mm (10x)</p> <p>1/+</p>  | <p><b>C</b></p>  <p>Flat Head Screw<br/>Ø4,0 x 14mm (34x)</p> <p>2/+</p> | <p><b>D</b></p>  <p>Flan Head Screw<br/>Ø4,0 x 20mm (6x)</p> <p>1/+</p> |
| <p><b>E</b></p>  <p>Flat Head Screw<br/>Ø4,0 x 45mm (14x)</p> <p>2/+</p> |  | <p><b>F</b></p>  <p>Flat Head Screw<br/>Ø4,0 x 12mm (8x)</p> <p>1/+</p>  | <p><b>G</b></p>  <p>2/+ Dowel Ø6,0 x 30mm (26x)</p>                     |
| <p><b>H</b></p>  <p>Nail 10 x 10 (65x)</p> <p>5/+</p>                    | <p><b>I</b></p>  <p>Flan Head Screw<br/>Ø3,5 x 30mm (2x)</p> <p>1/+</p>   | <p><b>J</b></p>  <p>1/+ 'L' Metallic Support (4x)</p>                    | <p><b>K</b></p>  <p>Washer (4x)</p> <p>1/+</p>                          |
| <p><b>L</b></p>  <p>Plastic Foot (6x)</p> <p>1/+</p>                     | <p><b>M</b></p>  <p>Hanging Rail Support (2x)</p>                         | <p><b>N</b></p>  <p>Hanging Rail (1x)</p>                                |  |
| <p><b>O</b></p>  <p>Hinge (6x)</p>                                      | <p><b>P</b></p>  <p>Hinge Plate (6x)</p>                                 | <p><b>Q</b></p>  <p>Drawer Runners (1x)</p>                             |  |
| <p><b>R</b></p>  <p>Back Panel Strip (1x)</p>                          |  | <p><b>S</b></p>  <p>Strap (2x)</p>                                     | <p><b>T</b></p>  <p>Handle (3x)</p>                                   |
| <p><b>U</b></p>  <p>Hole Plugs (16x)</p> <p>2/+</p>                    | <p><b>V</b></p>  <p>Glue (2x)</p>                                       | <p><b>W</b></p>  <p>Cam Nut (2x)</p> <p>1/+</p>                        | <p><b>X</b></p>  <p>Cam Bolt (2x)</p> <p>1/+</p>                      |
| <p><b>Y</b></p>  <p>Door Support (2x)</p>                              | <p><b>Z</b></p>  <p>Flat Head Screw<br/>Ø3,5 x 25mm (1x)</p> <p>1/+</p> |  |  |

## TIPS FOR FITTINGS CAM-LOCKS


WHEN FITTING CAM NUT, ENSURE STARTING POSITION IS CORRECT BEFORE YOU INSERT CONNECTING CAM BOLT TURN CLOCKWISE UNTIL SECURE



✓

↑

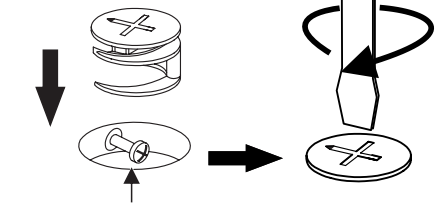
CORRECT



✗

↑

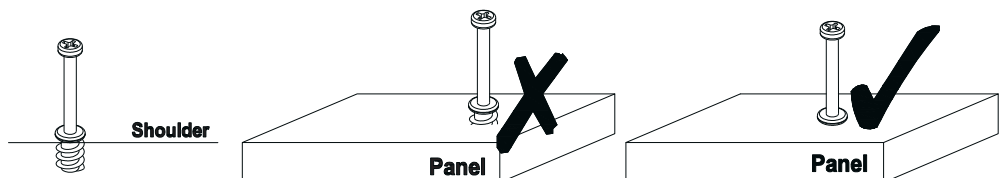
WRONG



Cam bolt head needs to be in centre

### CAMBOLT

Tighten until shoulder is flush with panel. Do not overtighten or undertighten (see example beside)




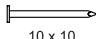
# STEP 1

## PARTS REQUIRED

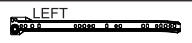
2 - LEFT SIDE PANEL x1

## HARDWARE REQUIRED

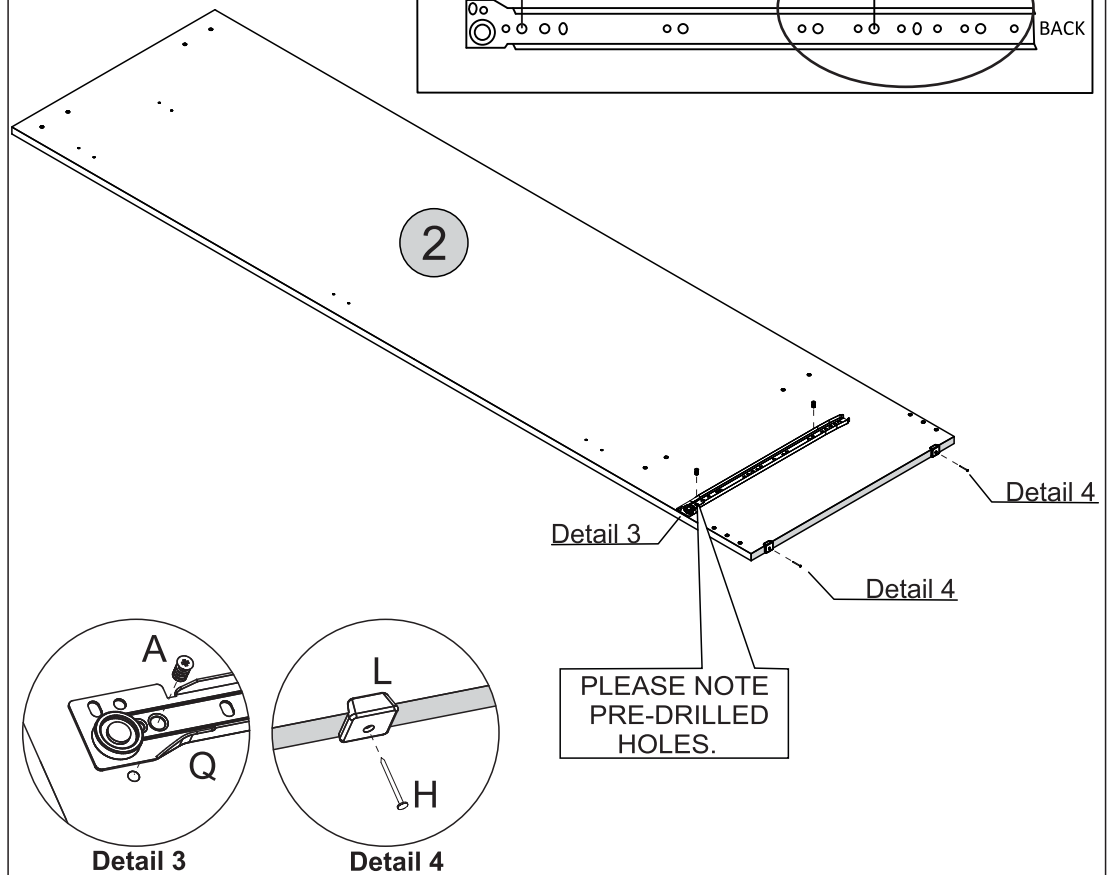
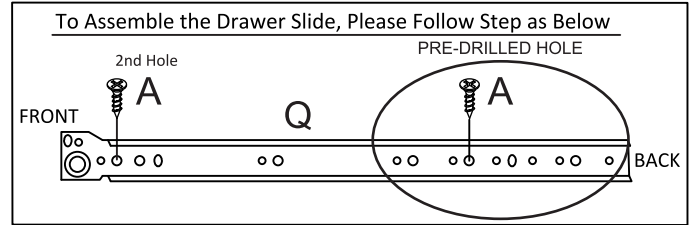
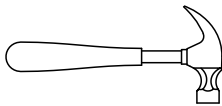
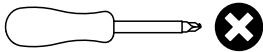
A  02  
Ø6,0 x 8mm

H  02  
10 x 10

L  02

Q  01

## TOOLS REQUIRED




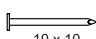
# STEP 2

## PARTS REQUIRED

3 - RIGHT SIDE PANEL x1

## HARDWARE REQUIRED

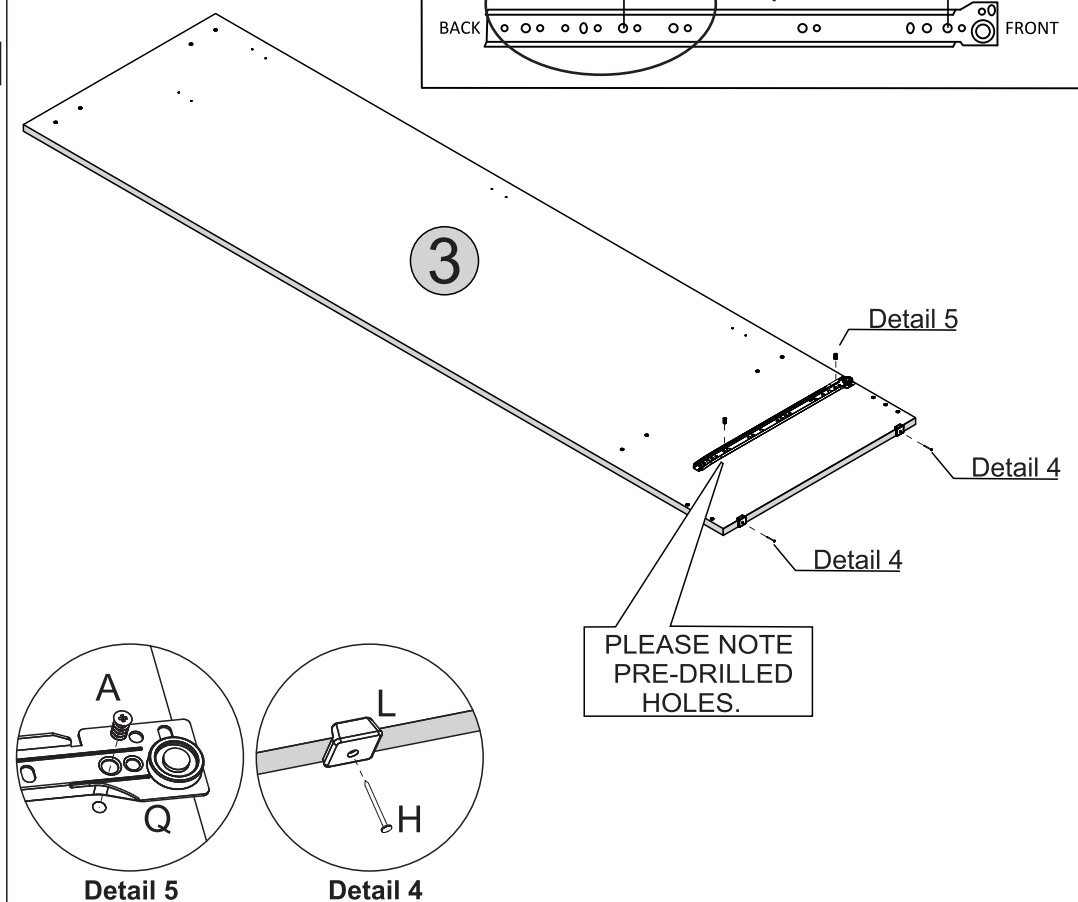
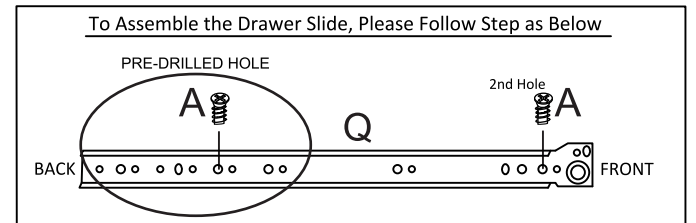
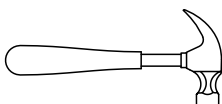
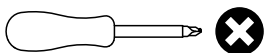
A  02  
Ø6,0 x 8mm

H  02  
10 x 10

L  02

Q  01

## TOOLS REQUIRED

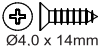



# STEP 3

## PARTS REQUIRED

2 - LEFT SIDE PANEL x1

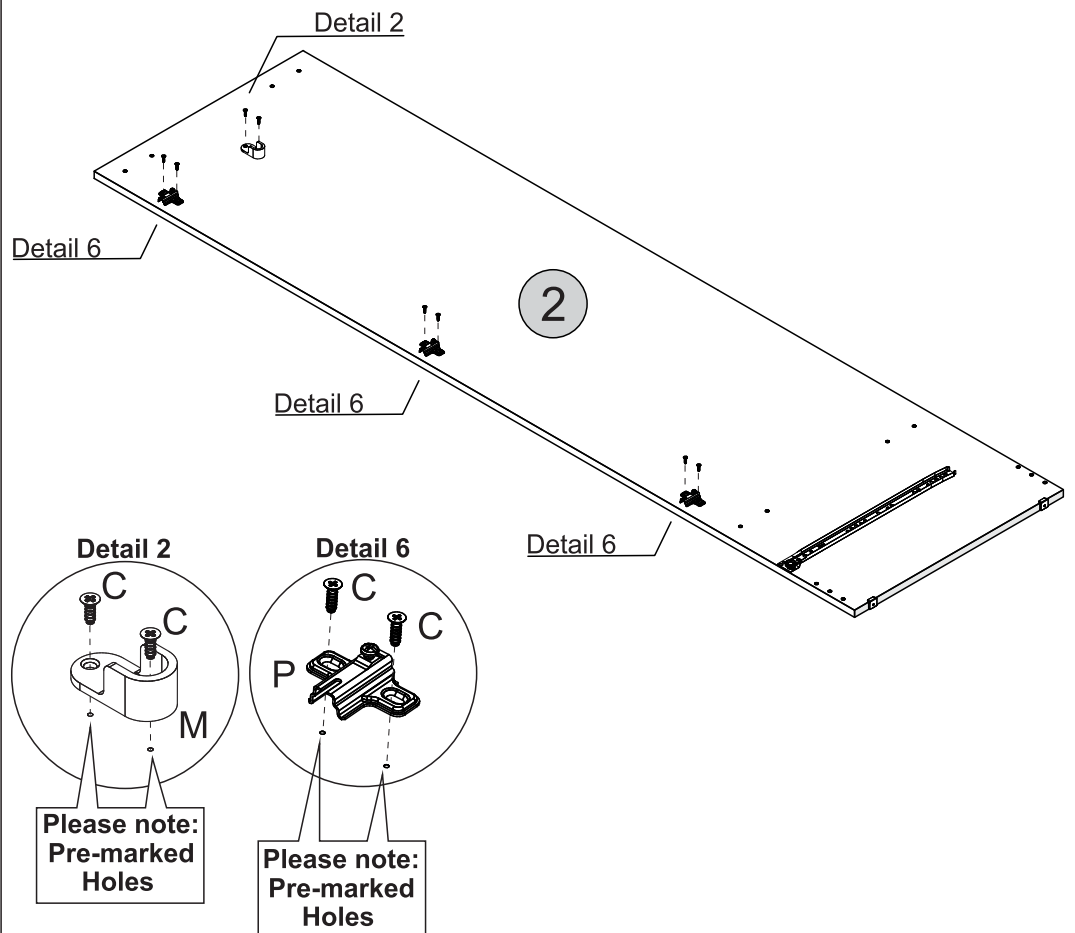
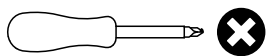
## HARDWARE REQUIRED

C  08  
Ø4,0 x 14mm

M  01

P  03

## TOOLS REQUIRED

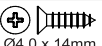



# STEP 4

## PARTS REQUIRED

3 - RIGHT SIDE PANEL x1

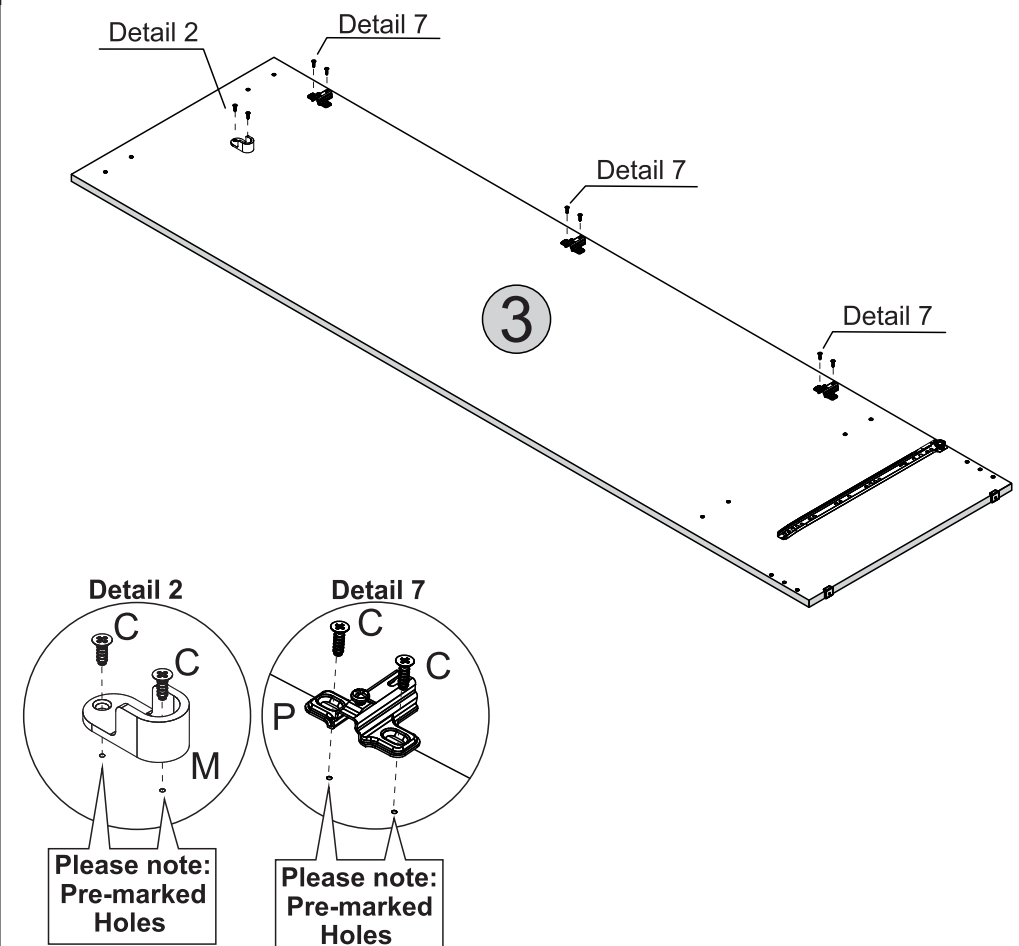
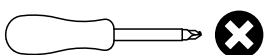
## HARDWARE REQUIRED

C  08  
Ø4,0 x 14mm

M  01

P  03

## TOOLS REQUIRED




# STEP 5

## PARTS REQUIRED

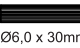
1A - TOP PANEL x1


1B - BASE PANEL x1

## HARDWARE REQUIRED

B  04  
Ø3,5 x 12mm

F  02  
Ø4,0 x 12mm

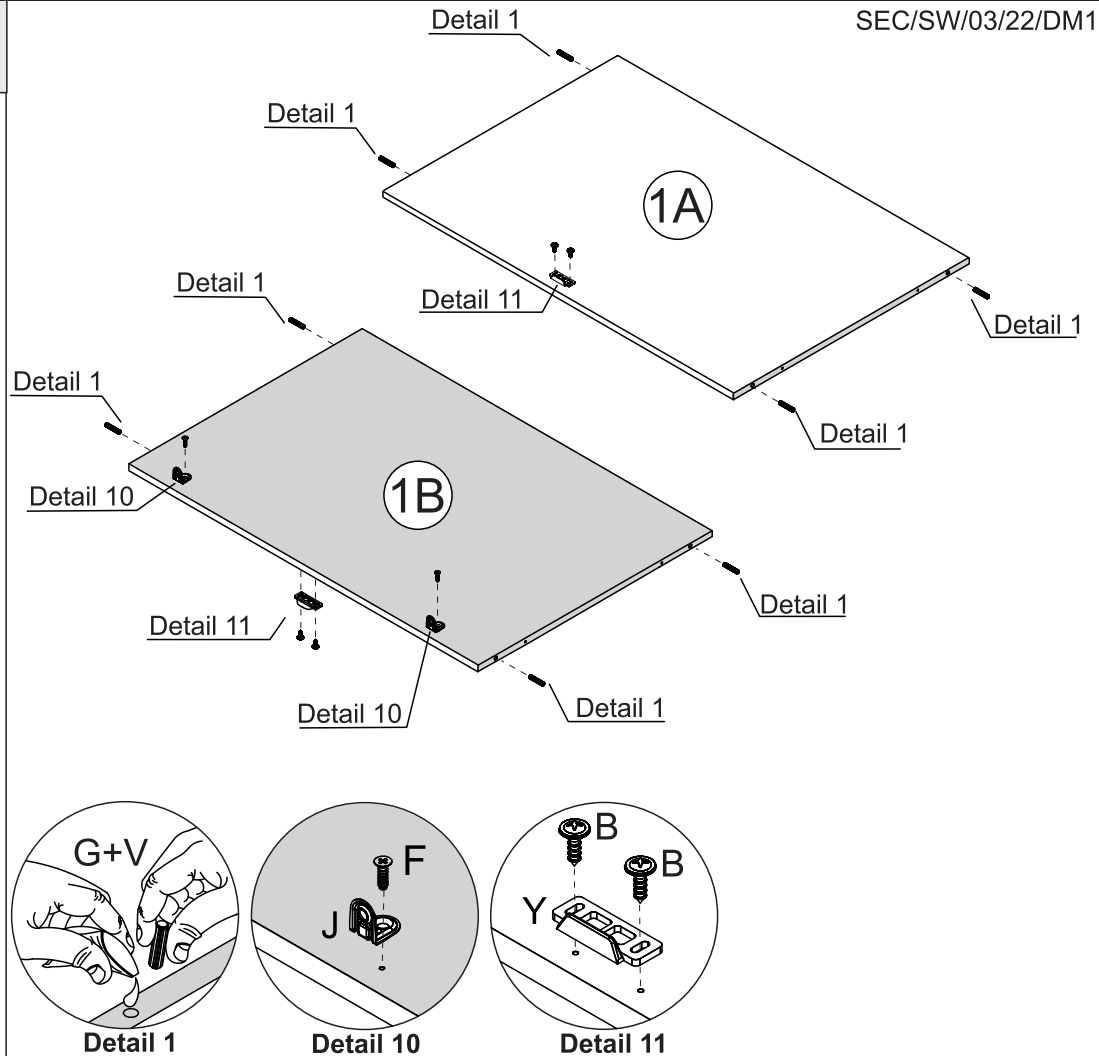
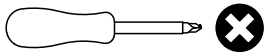
G  08  
Ø6,0 x 30mm

J  02

V  01

Y  02

## TOOLS REQUIRED



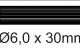
# STEP 6

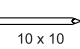
## PARTS REQUIRED

4 - FRONT BASEBOARD x1


5 - BACK BASEBOARD x1

## HARDWARE REQUIRED

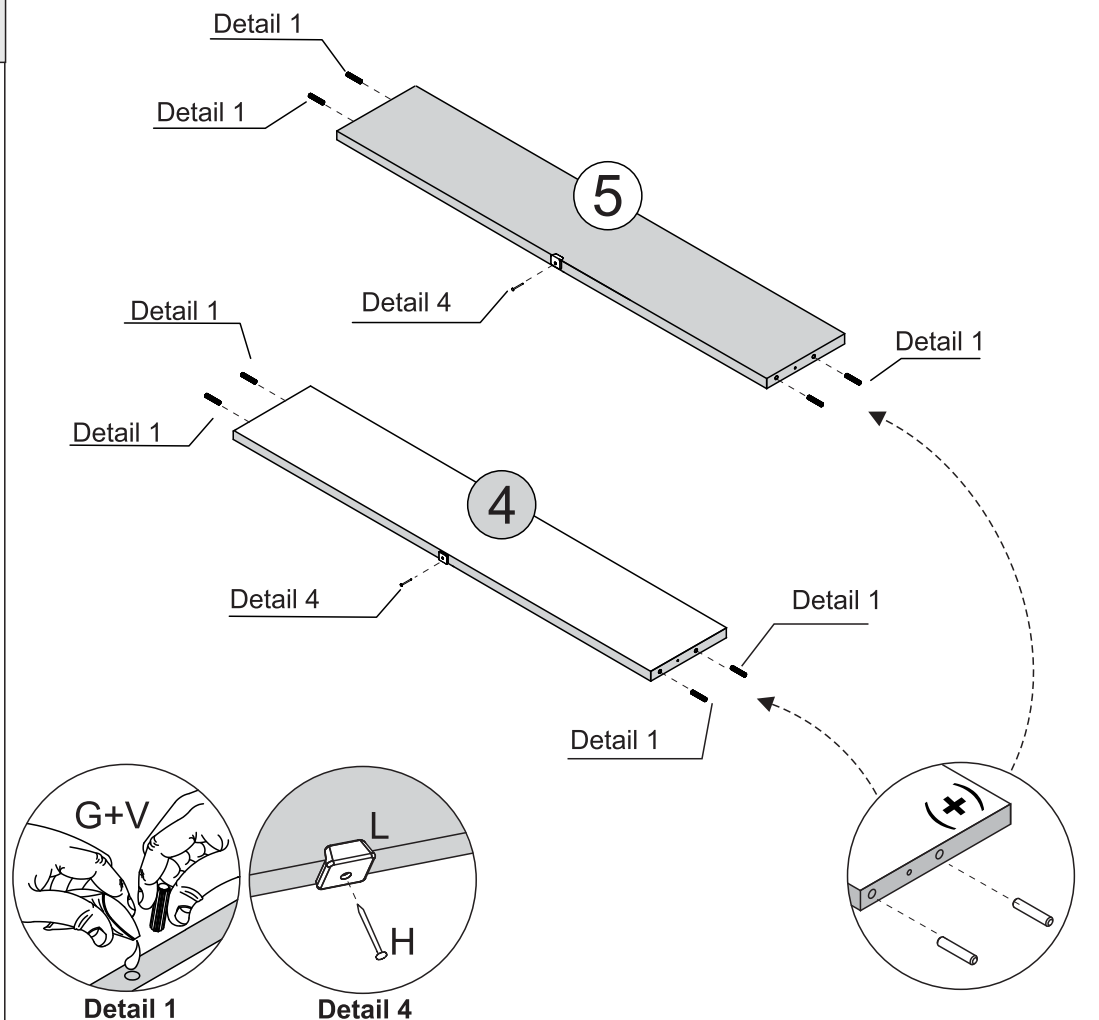
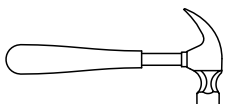
G  08  
Ø6,0 x 30mm

H  02  
10 x 10

L  02

V  01

## TOOLS REQUIRED

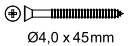



# STEP 7

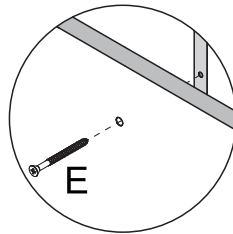
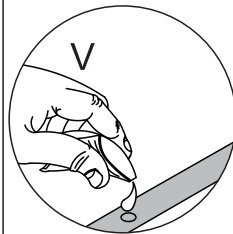
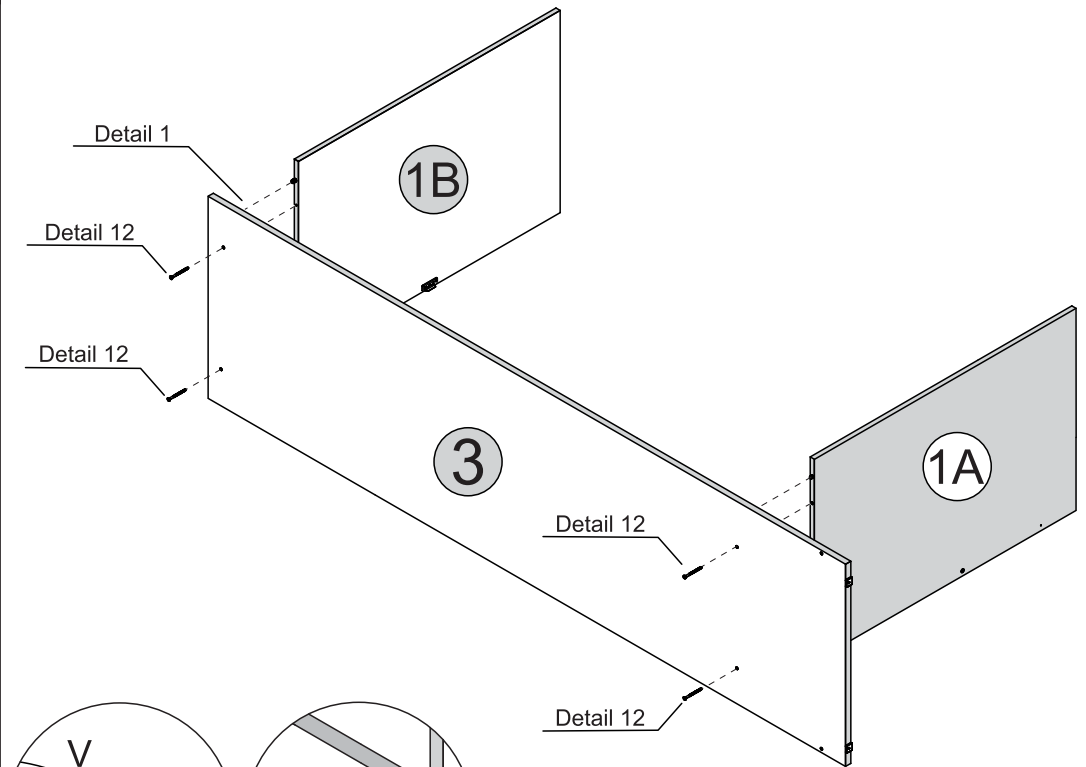
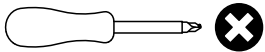
## PARTS REQUIRED

- 1A - BASE PANEL x1
- 1B - TOP PANEL x1
- 3 - RIGHT SIDE PANEL x1

## HARDWARE REQUIRED

- E  04  
Ø4,0 x 45mm
- V  01

## TOOLS REQUIRED



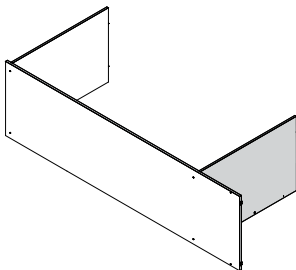
Detail 1

Detail 12

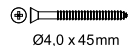
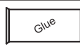
# STEP 8

## PARTS REQUIRED

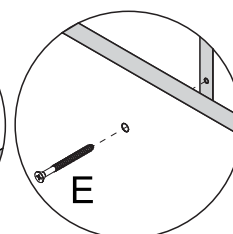
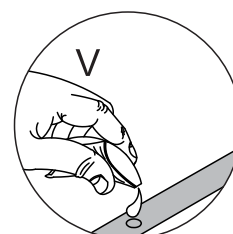
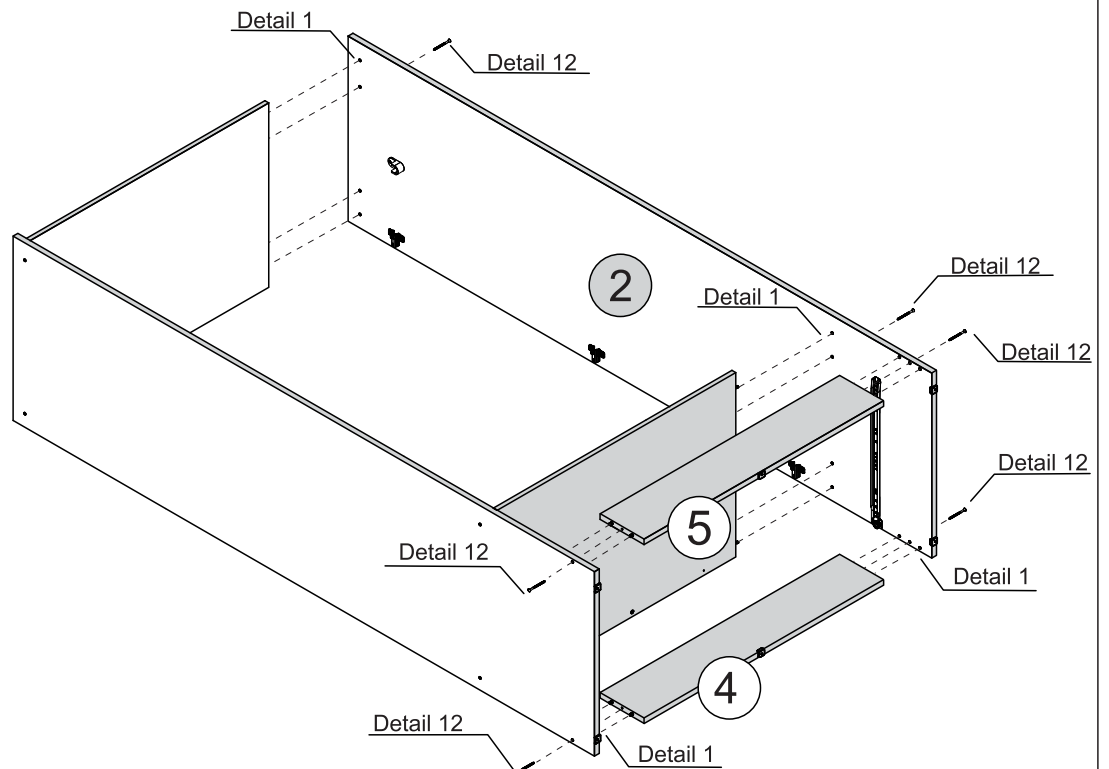
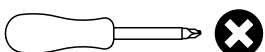
- 4 - FRONT BASEBOARD x1
- 5 - BACK BASEBOARD x1
- 2 - LEFT SIDE PANEL x1



## HARDWARE REQUIRED

- E  08  
Ø4,0 x 45mm
- V  01

## TOOLS REQUIRED



Detail 1

Detail 12

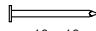
# STEP 9

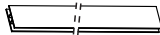
### PARTS REQUIRED

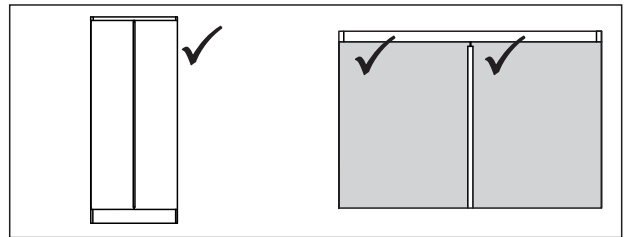
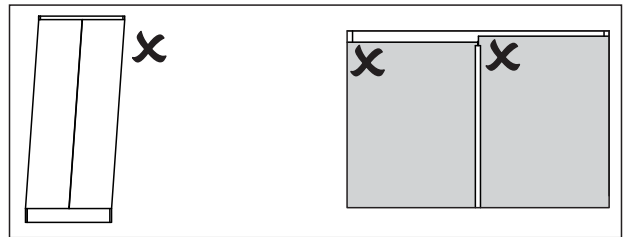
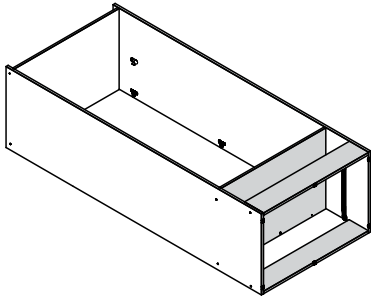
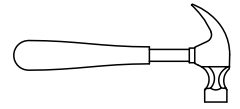
### HARDWARE REQUIRED

### TOOLS REQUIRED

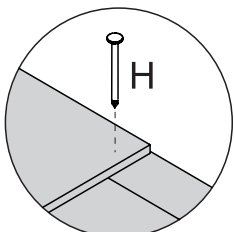
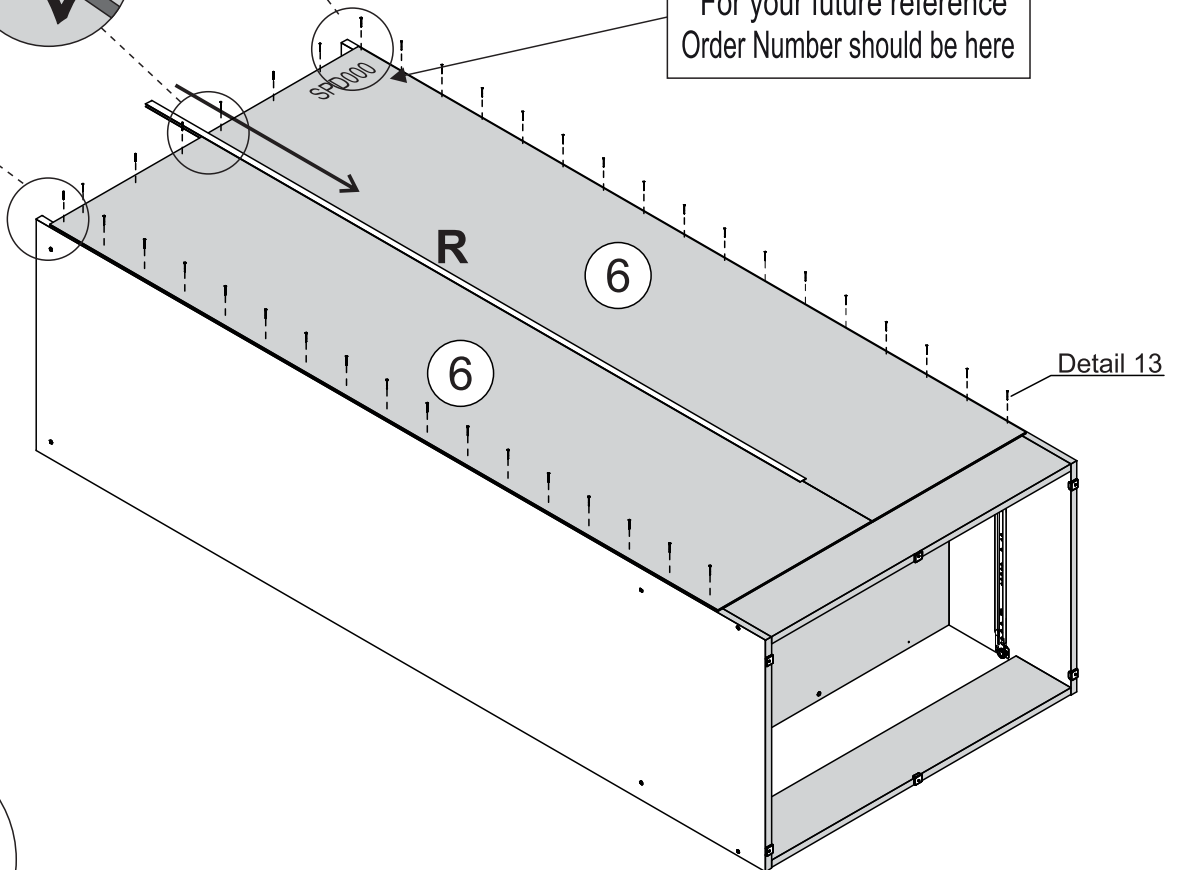
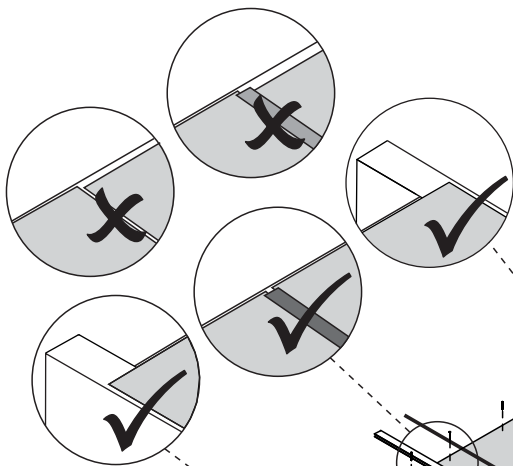
6 - BACK PANEL x2

H  10 x 10 40

R  01



\* For your future reference  
Order Number should be here

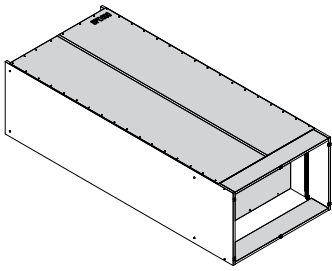


Detail 13

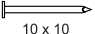



# STEP 10

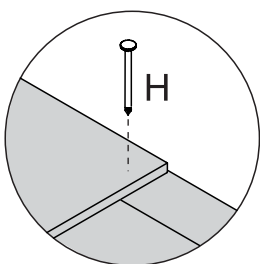
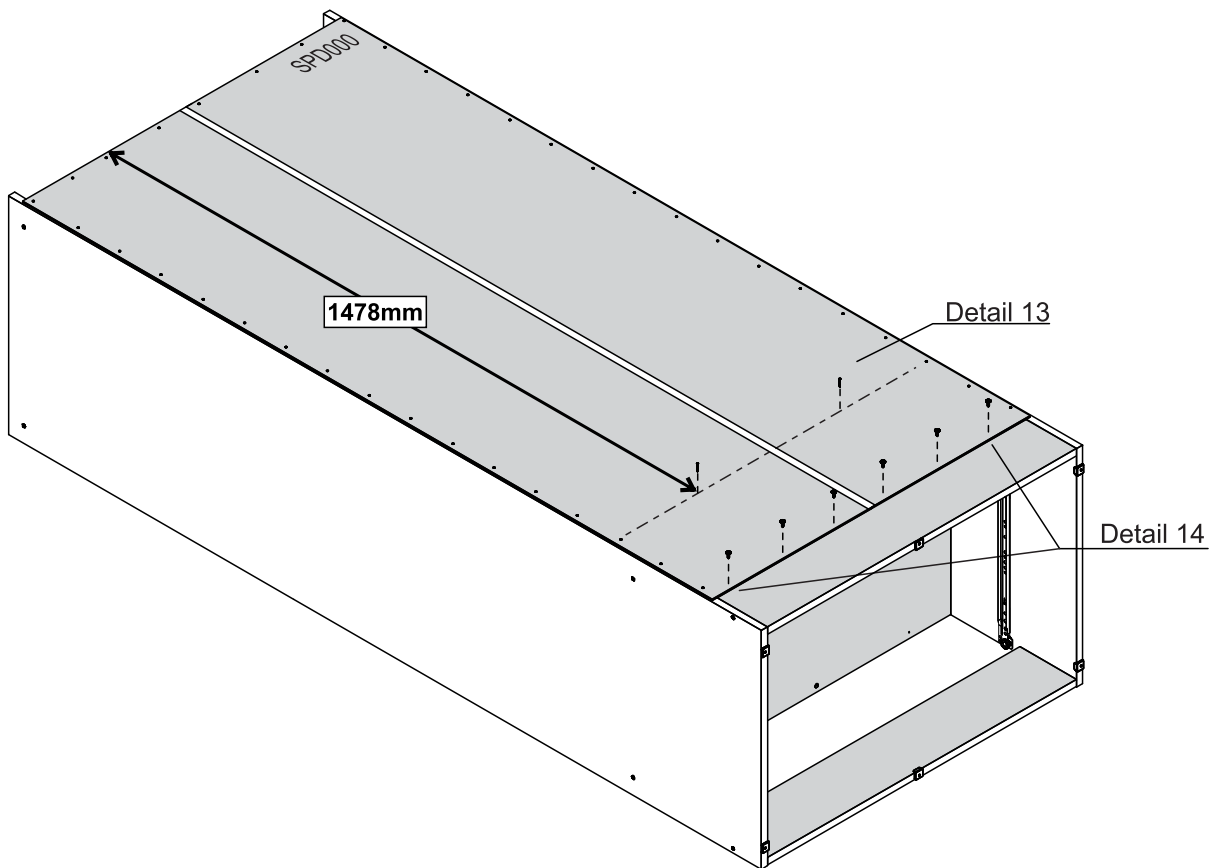
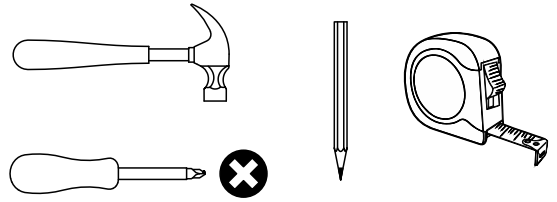
PARTS REQUIRED



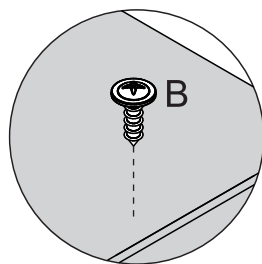
HARDWARE REQUIRED

|   |   |    |
|---|---|----|
| H |  | 02 |
| B |  | 06 |

TOOLS REQUIRED



Detail 13

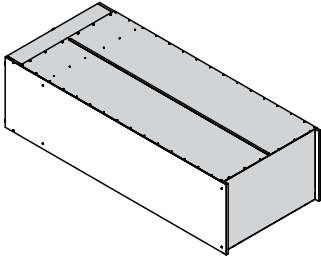


Detail 14


# STEP 11


## PARTS REQUIRED

7 - FRAME x1

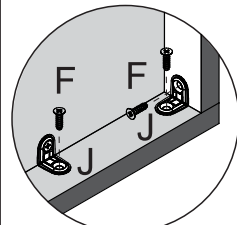
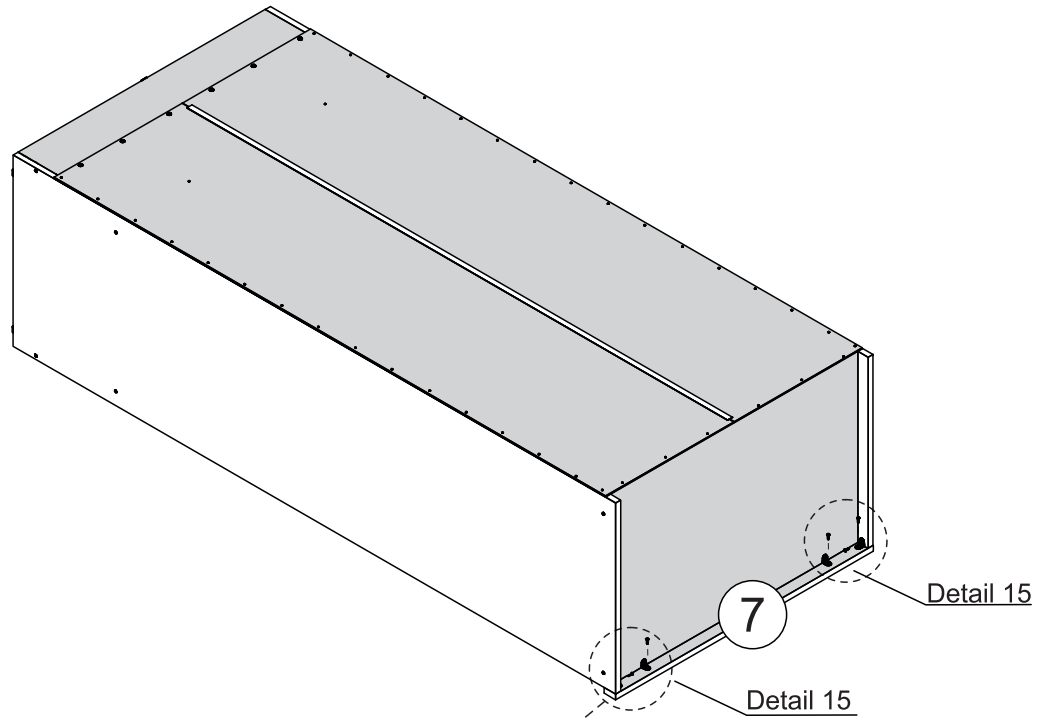
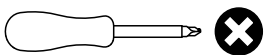


## HARDWARE REQUIRED

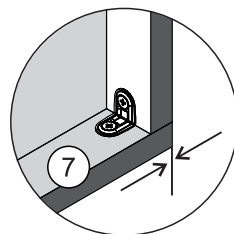
J  02

F  06  
Ø4,0 x 12mm

## TOOLS REQUIRED



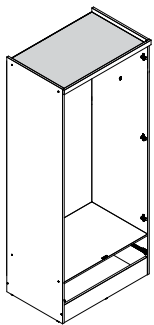
Detail 15



Align corners

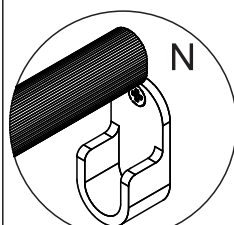
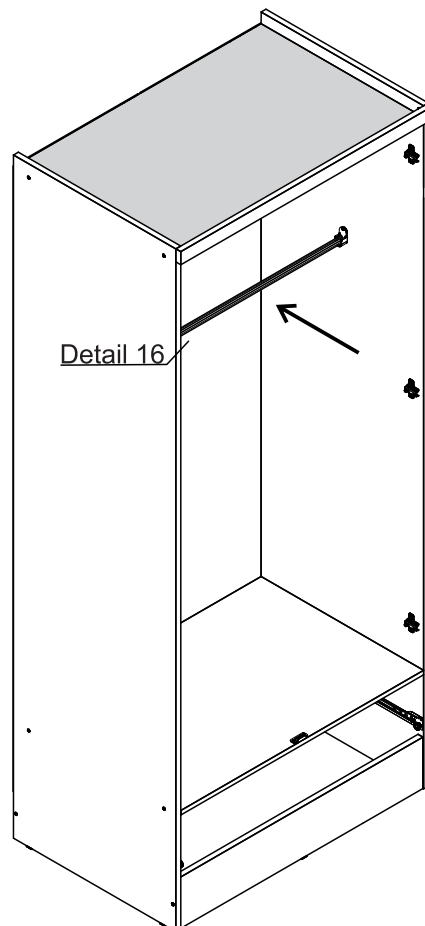
# STEP 12

## PARTS REQUIRED



## HARDWARE REQUIRED

N  01



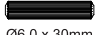

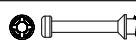
Detail 16

# STEP 13

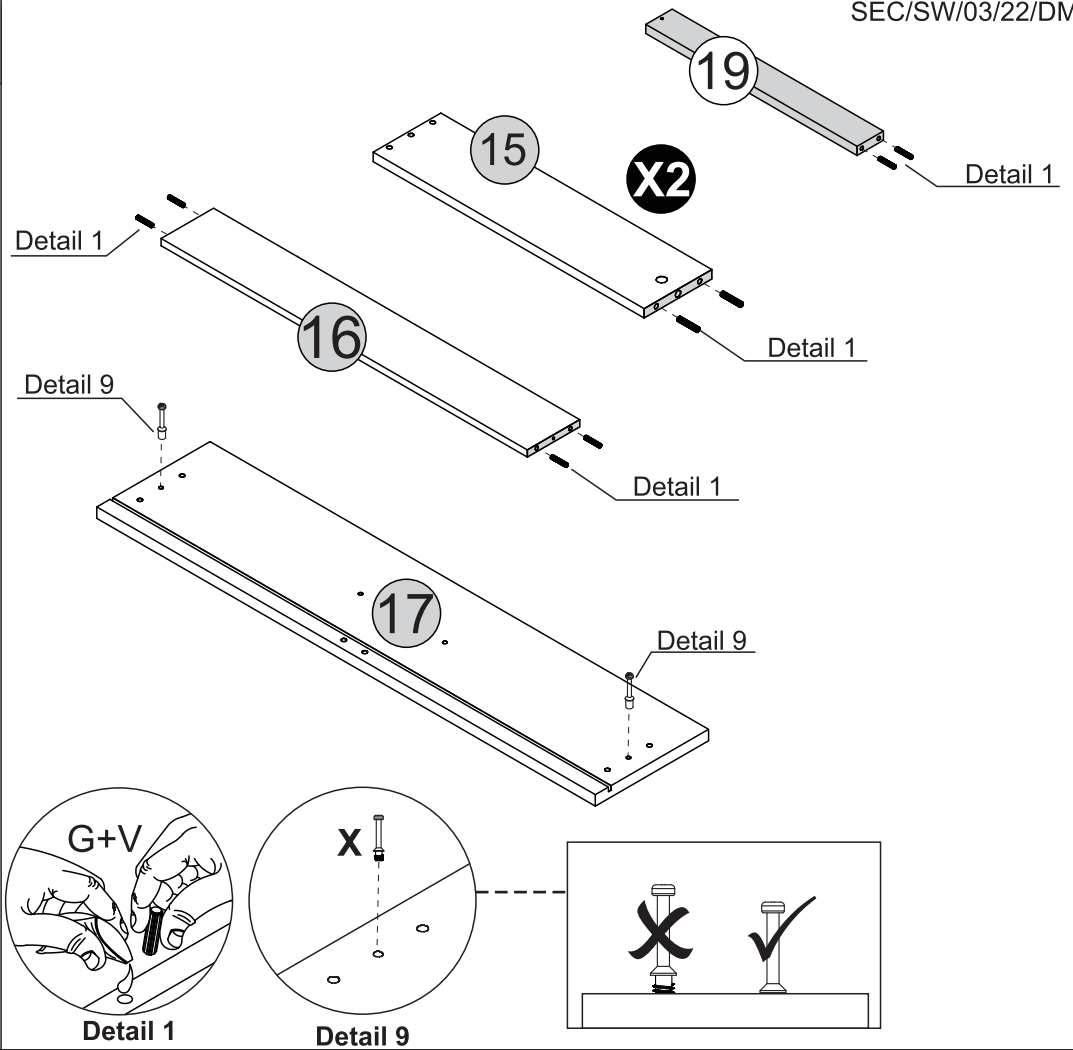
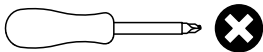
## PARTS REQUIRED

|                                |    |
|--------------------------------|----|
| 15 - DRAWER SIDE               | x2 |
| 16 - DRAWER BACK PANEL         | x1 |
| 17 - DRAWER FRONT              | x1 |
| 19 - DRAWER BOTTOM SUPPORT BAR | x1 |

## HARDWARE REQUIRED

|   |   |    |
|---|---|----|
| G |  | 10 |
| V |  | 01 |
| X |  | 02 |

## TOOLS REQUIRED

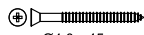


# STEP 14

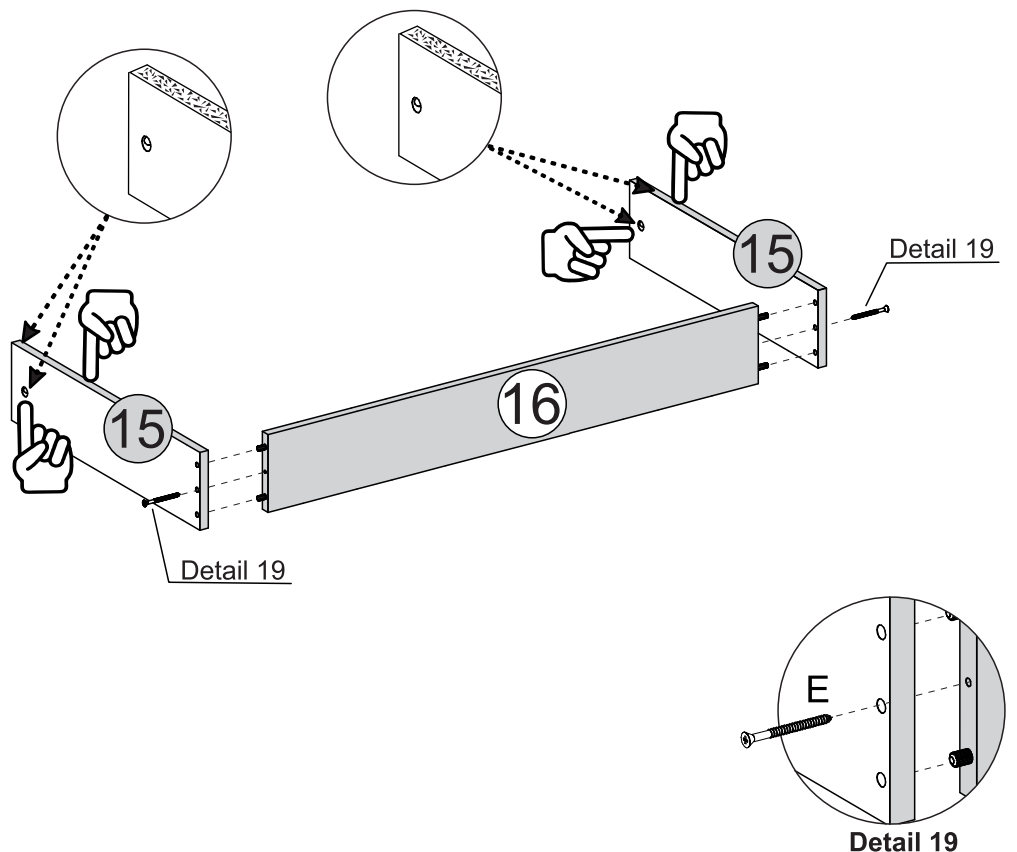
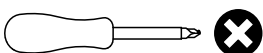
## PARTS REQUIRED

|                        |    |
|------------------------|----|
| 15 - DRAWER SIDE       | x2 |
| 16 - DRAWER BACK PANEL | x1 |

## HARDWARE REQUIRED

|   |   |    |
|---|---|----|
| E |  | 02 |
|---|---|----|

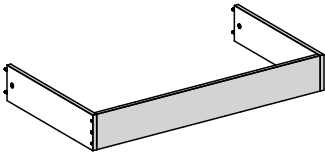
## TOOLS REQUIRED



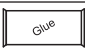
# STEP 15

**PARTS REQUIRED**

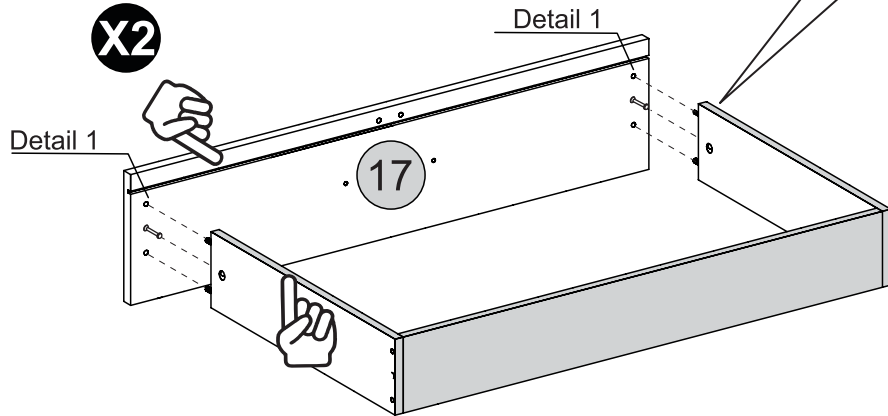
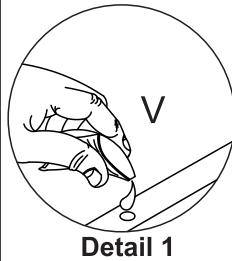
17 - DRAWER FRONT x1



**HARDWARE REQUIRED**

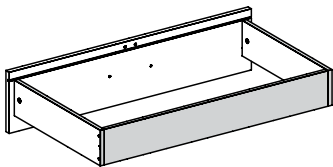
V  01

**TOOLS REQUIRED**



# STEP 16

**PARTS REQUIRED**

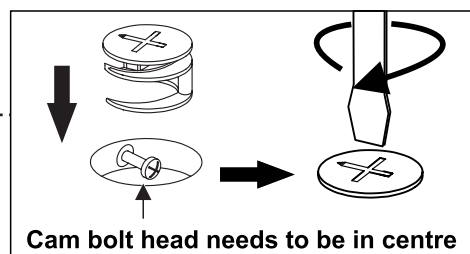
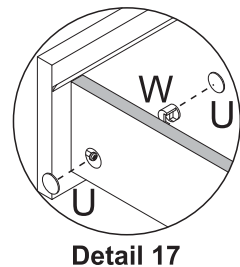
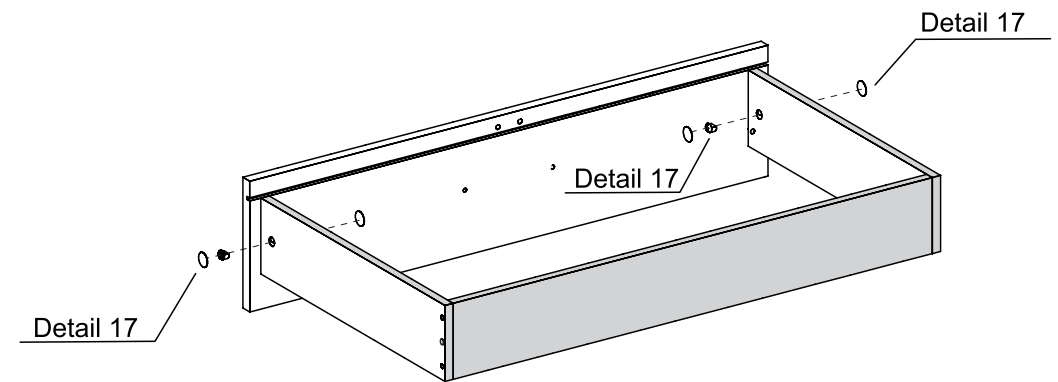
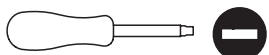


**HARDWARE REQUIRED**

U  04

W  02

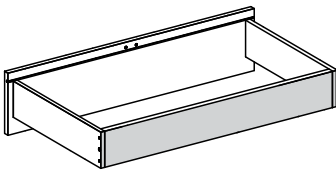
**TOOLS REQUIRED**



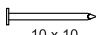
# STEP 17

## PARTS REQUIRED

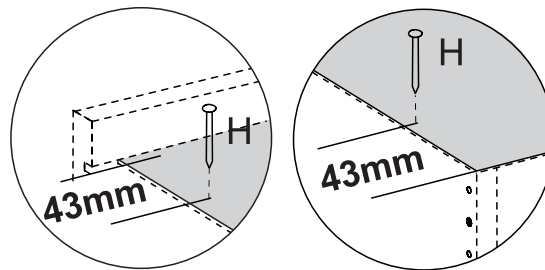
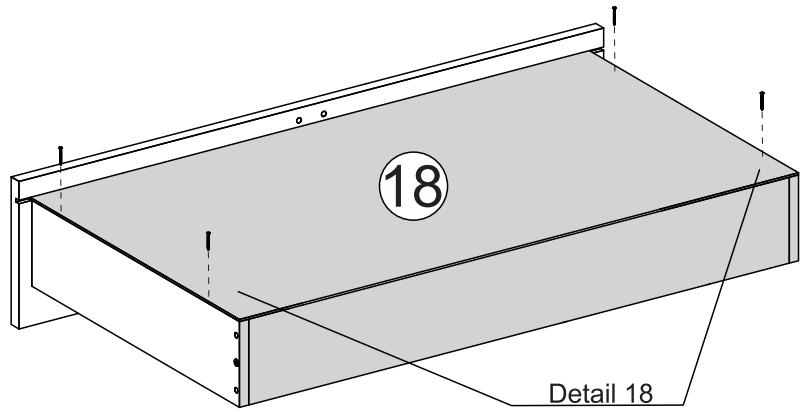
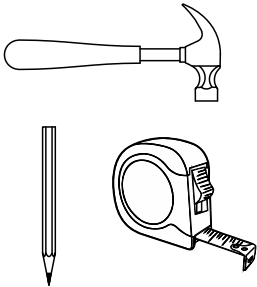
18 - DRAWER BOTTOM x1



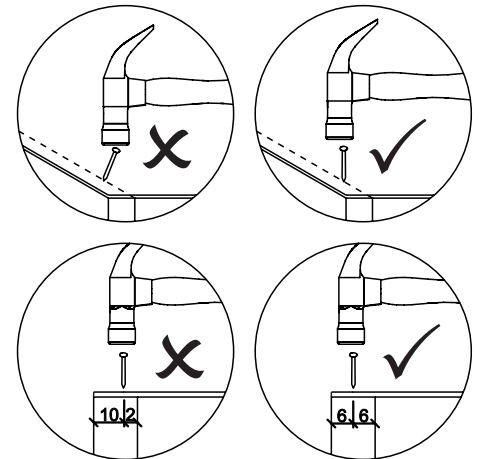
## HARDWARE REQUIRED

H  04  
10 x 10

## TOOLS REQUIRED



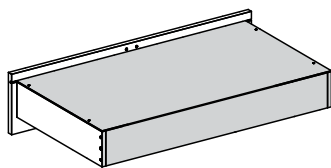
Detail 18



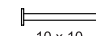
# STEP 18

## PARTS REQUIRED

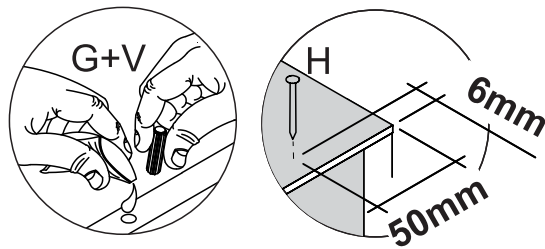
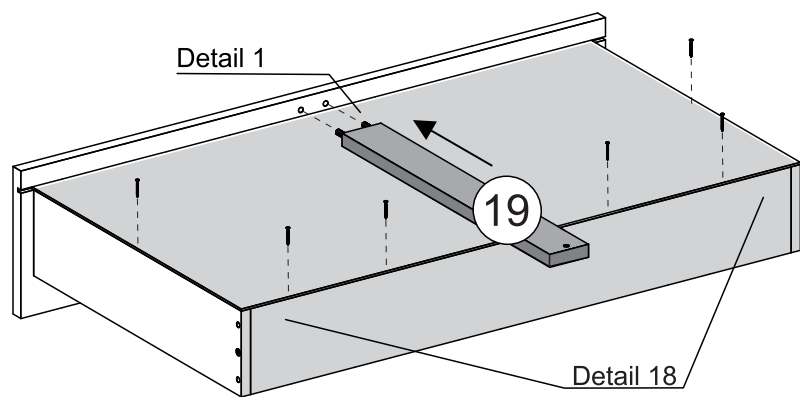
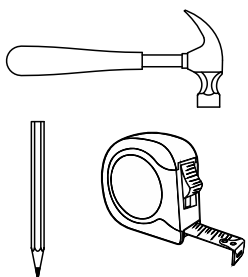
19 - DRAWER BOTTOM SUPPORT BAR x1



## HARDWARE REQUIRED

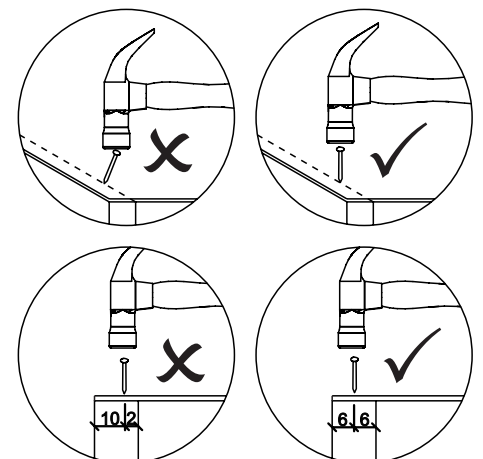
H  06  
10 x 10

## TOOLS REQUIRED



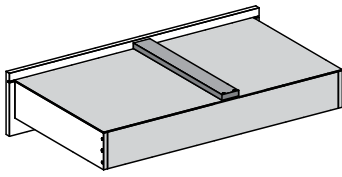
Detail 1

Detail 18

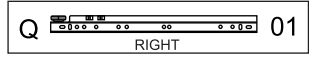
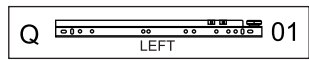
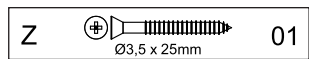
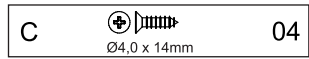


# STEP 19

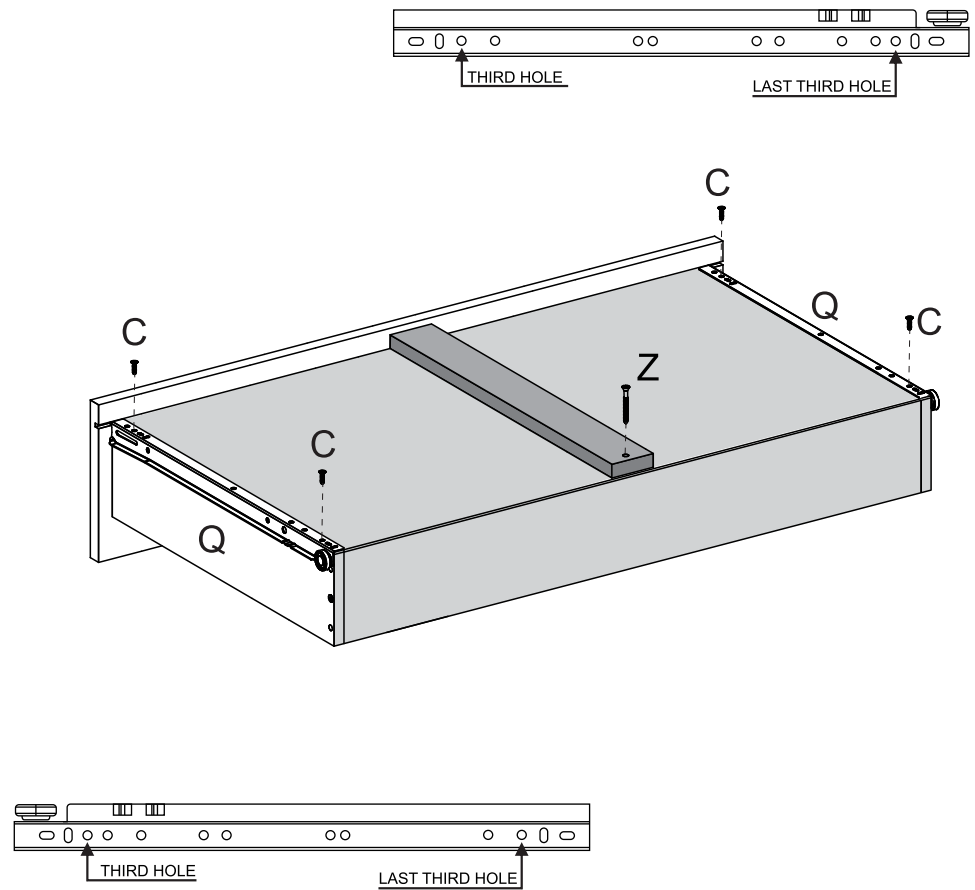
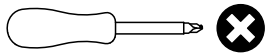
## PARTS REQUIRED



## HARDWARE REQUIRED

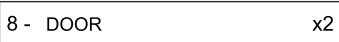


## TOOLS REQUIRED

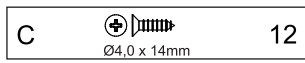


# STEP 20

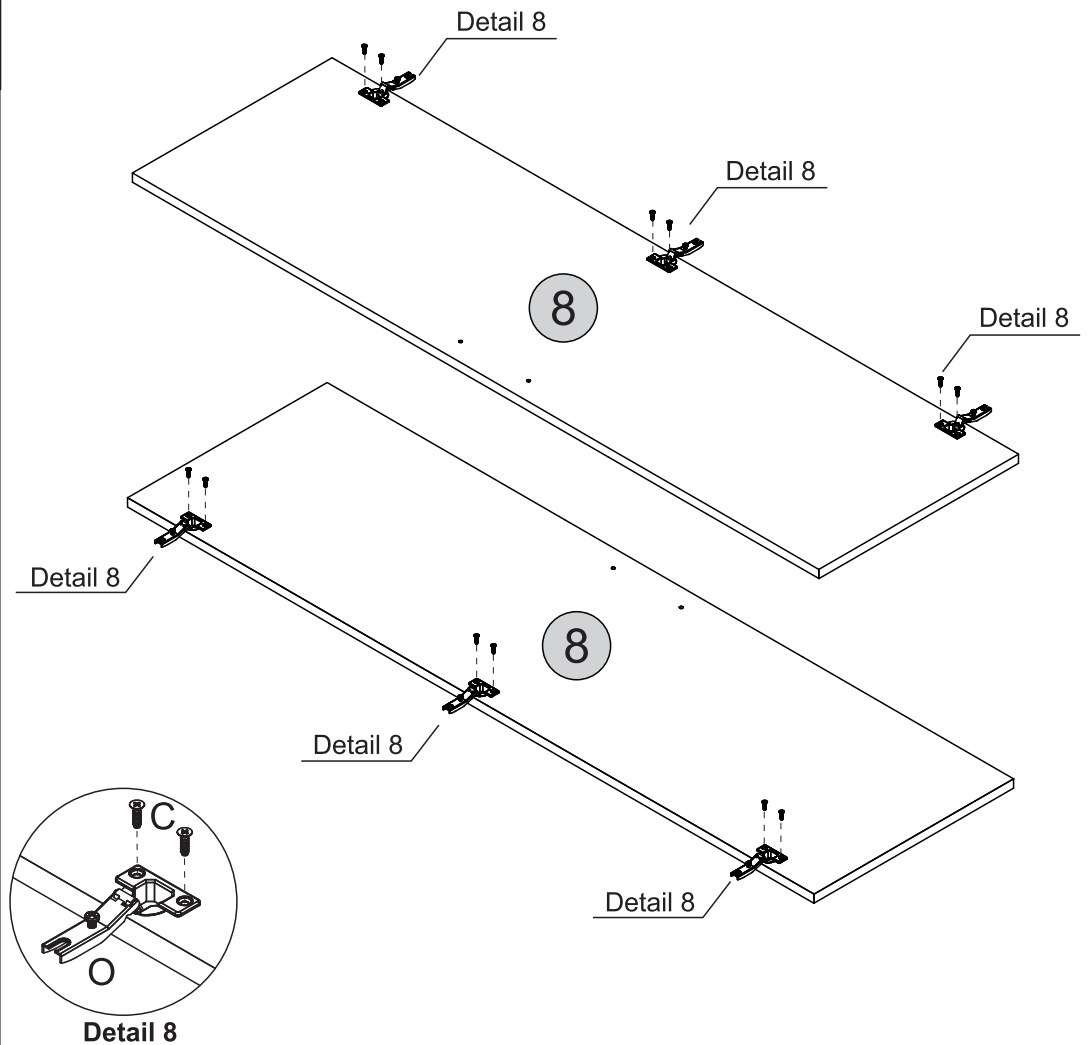
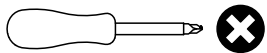
## PARTS REQUIRED



## HARDWARE REQUIRED



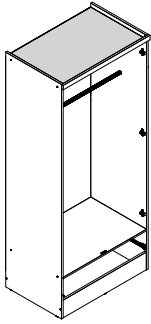
## TOOLS REQUIRED



# STEP 21

## PARTS REQUIRED

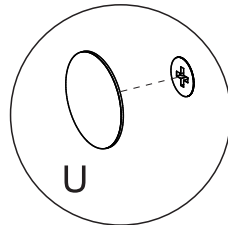
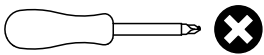
8 - DOOR x2



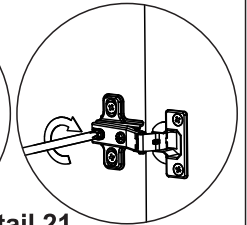
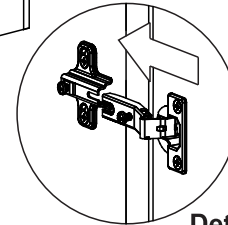
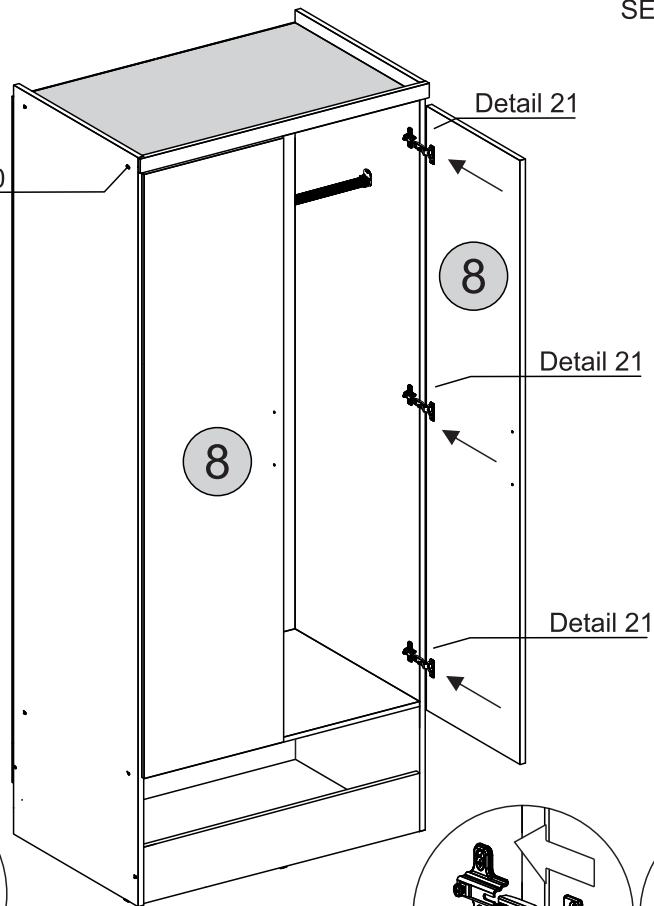
## HARDWARE REQUIRED

U  12

## TOOLS REQUIRED



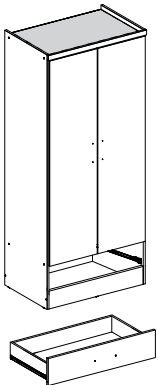
Detail 20




Detail 21


# STEP 22

## PARTS REQUIRED

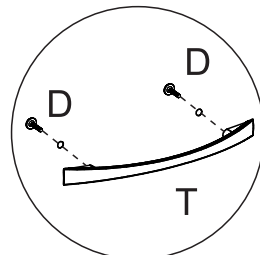
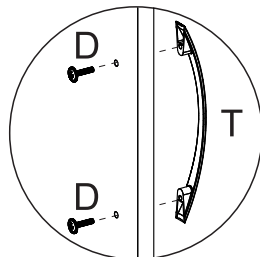
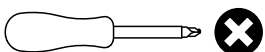


## HARDWARE REQUIRED

D  06  
Ø4,0 x 20mm

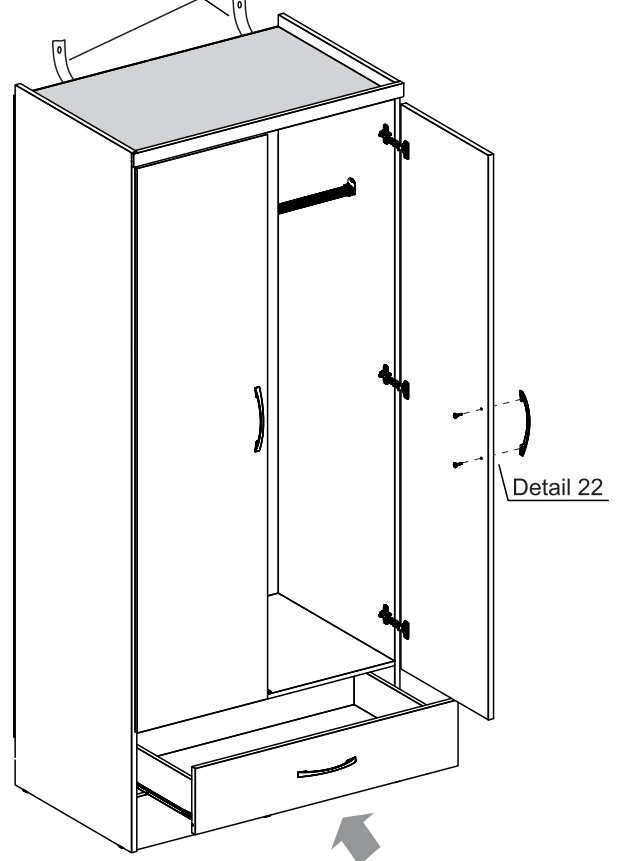
T  03

## TOOLS REQUIRED



Detail 22

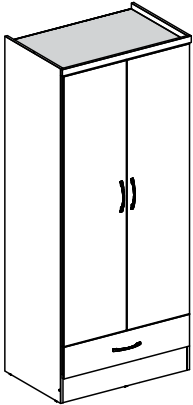
 See the last page



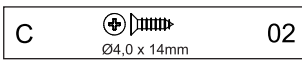
Detail 22

# STEP 23

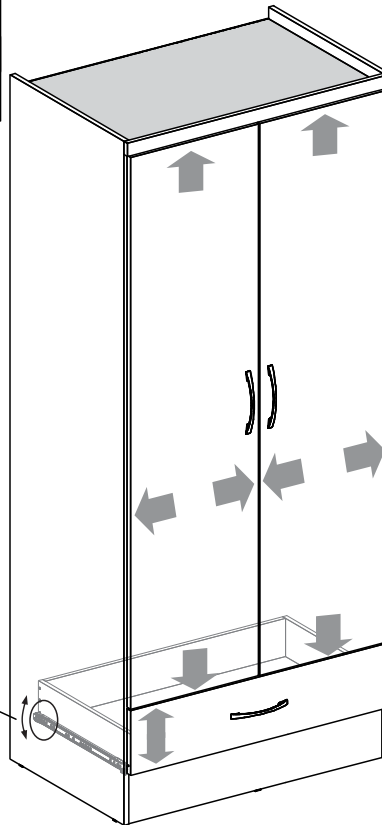
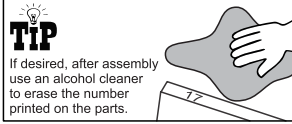
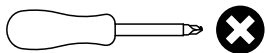
## PARTS REQUIRED



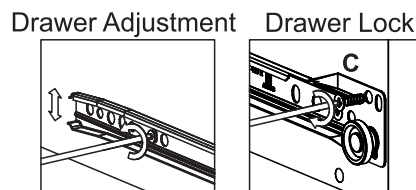
## HARDWARE REQUIRED



## TOOLS REQUIRED

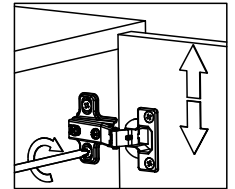


Detail 23

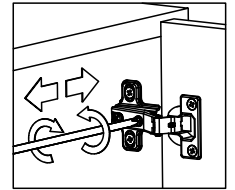


Detail 23

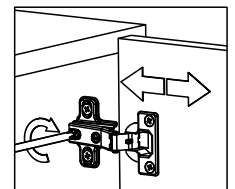
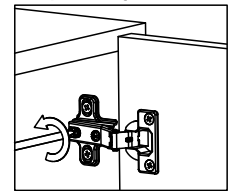
## Height Adjustment



## Internal Adjustment



## Depth Adjustment

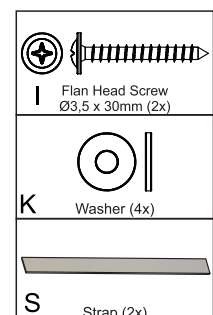
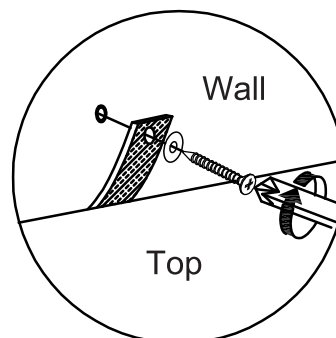
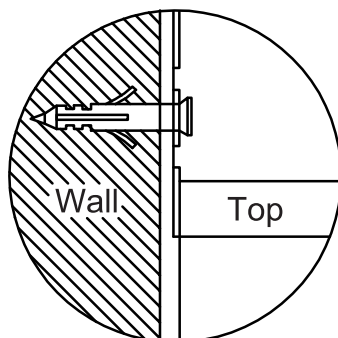
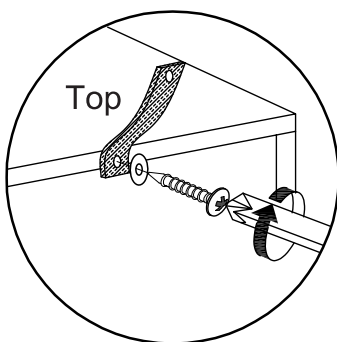


# WARNING

**Serious or fatal injuries can occur from furniture tipping over. To prevent the furniture from tipping over we recommend that it is permanently fixed to the wall.**

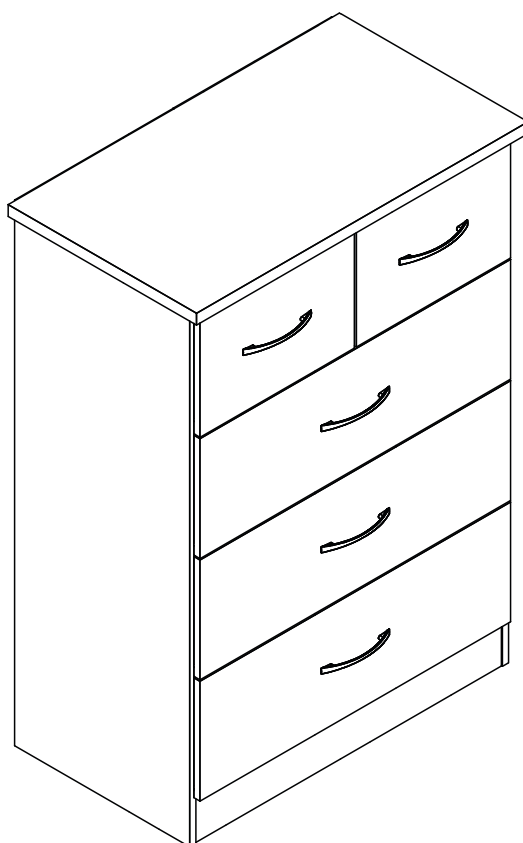
Wall fixings are not supplied with this product as different wall materials require different types of fixing devices.

Please make sure you use fixings suitable for the walls in your home.





# NEVADA 3+2 DRAWER CHEST ASSEMBLY INSTRUCTIONS



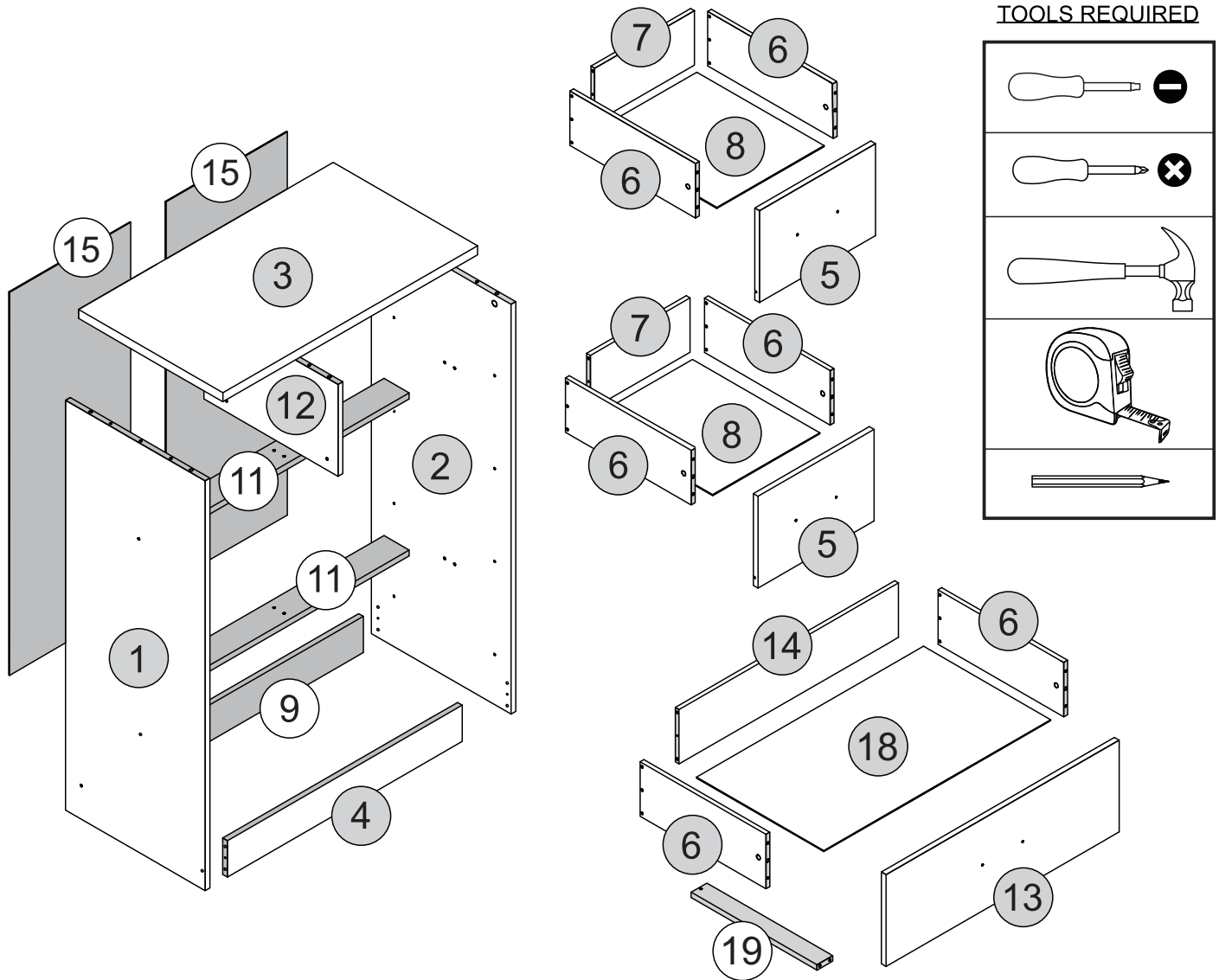
## **IMPORTANT FOR DOMESTIC USE ONLY**

**PLEASE READ BEFORE YOU CONTINUE FURTHER**

## **CARE AND MAINTENANCE**

After unpacking this product please keep the original packaging in case it needs to be returned for any reason.

- Please ensure all fittings and parts are present before commencing with assembly.
- Never drag or push products as this could cause damage to the joints making it inferior.
- We strongly recommend that you keep children away from your work area.
- We recommend that you lay a blanket or sheet on the floor to avoid damage to both your floor and the product.
- Assemble this product as close to its final position as possible.
- Do not place this product next to a radiator or in direct sunlight.
- Do not drag or push items across your high gloss furniture as this may cause the surface to scratch
- Wood is a natural product and may expand if subjected to damp and may shrink or crack if subjected to heat. Therefore it is recommended that room temperature is maintained, with no sudden temperature fluctuations.
- Make sure any spillage is wiped off immediately.
- Do not place hot or chilled items directly on to the surface, use a place mat or marking will occur.
- For general cleaning use a soft cotton or micro fibre cloth, and do not use detergents of any kind.
- From time to time it may be necessary to tighten fittings, regular inspections should be carried out.
- Do not place on a wet or damp floor as staining may occur to your floor.


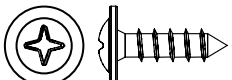
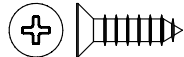
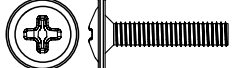



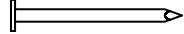



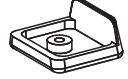

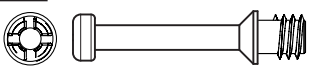


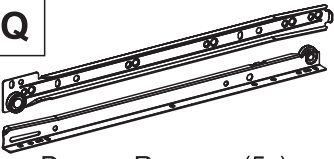


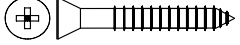


**PARTS LIST**

**Please Note:**  
The below parts have all been stamped with the part number to help identify them during assembly.

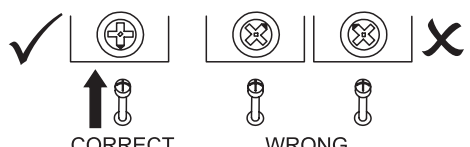
| <b>Part Number</b> | <b>Part Description</b>   | <b>Quantity</b> | <b>Carton</b> |
|--------------------|---------------------------|-----------------|---------------|
| 1                  | Left Side Panel           | 1               | 1/2           |
| 2                  | Right Side Panel          | 1               | 1/2           |
| 3                  | Top Panel                 | 1               | 2/2           |
| 4                  | Front Baseboard           | 1               | 1/2           |
| 5                  | Small Drawer Front        | 2               | 2/2           |
| 6                  | Drawer Side               | 10              | 1/2           |
| 7                  | Small Drawer Back Panel   | 2               | 1/2           |
| 8                  | Small Drawer Bottom       | 2               | 1/2           |
| 9                  | Back Baseboard            | 1               | 1/2           |
| 11                 | Crossbar                  | 2               | 2/2           |
| 12                 | Division Panel            | 1               | 1/2           |
| 13                 | Large Drawer Front        | 3               | 2/2           |
| 14                 | Large Drawer Back Panel   | 3               | 1/2           |
| 15                 | Back Panel                | 2               | 1/2           |
| 18                 | Large Drawer Bottom       | 3               | 2/2           |
| 19                 | Drawer Bottom Support Bar | 3               | 1/2           |



# FITTINGS LIST

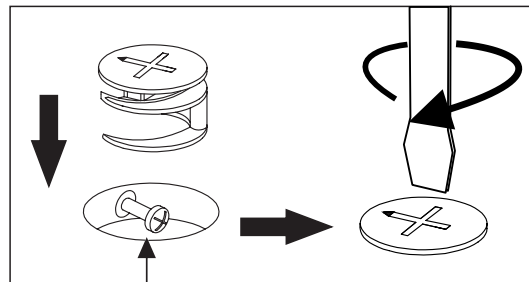
|   |   |   |  |
|---|---|---|--|
| <p><b>A</b></p>  <p>Flat Head Screw<br/>Ø6,0 x 8mm (20x)<br/>2/+</p> | <p><b>B</b></p>  <p>Flan Head Screw<br/>Ø3,5 x 12mm (6x)<br/>1/+</p> | <p><b>C</b></p>  <p>Flat Head Screw<br/>Ø4,0 x 14mm (30x)<br/>2/+</p> | <p><b>D</b></p>  <p>Flan Head Screw<br/>Ø4,0 x 20mm (10x)<br/>2/+</p> |
| <p><b>E</b></p>  <p>Flat Head Screw<br/>Ø4,0 x 45mm (19x)<br/>2/+</p> | <p><b>F</b></p>  <p>Handle (5x)</p>                                  | <p><b>G</b></p>  <p>2/+ Dowel Ø6,0 x 30mm (65x)</p>                   | <p><b>H</b></p>  <p>3/+ Nail 10 x 10 (87x)</p>                        |
| <p><b>I</b></p>  <p>1/+ Back Panel Bracket (2x)</p>                  | <p><b>J</b></p>  <p>2/+ Cam Nut Ø12mm (16x)</p>                      | <p><b>K</b></p>  <p>1/+ Washer (4x)</p>                                | <p><b>L</b></p>  <p>1/+ Plastic Foot (6x)</p>                         |
| <p><b>M</b></p>  <p>Flan Head Screw<br/>Ø3,5 x 30mm (2x)<br/>1/+</p> | <p><b>N</b></p>  <p>2/+ Cam Bolt (16x)</p>                           | <p><b>O</b></p>  <p>2/+ Hole Plugs (28x)</p>                          | <p><b>P</b></p>  <p>Glue (3x)</p>                                     |
| <p><b>Q</b></p>  <p>Drawer Runners (5x)</p>                          | <p><b>R</b></p>  <p>Back Panel Strip (1x)</p>                       | <p><b>S</b></p>  <p>Strap (2x)</p>                                    | <p><b>T</b></p>  <p>Flat Head Screw<br/>Ø3,5 x 25mm (3x)<br/>1/+</p>  |

## TIPS FOR FITTINGS CAM-LOCKS

WHEN FITTING CAM NUT. ENSURE STARTING POSITION IS CORRECT BEFORE YOU INSERT CONNECTING CAM BOLT TURN CLOCKWISE UNTIL SECURE



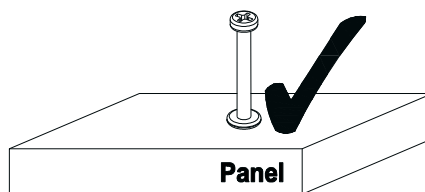
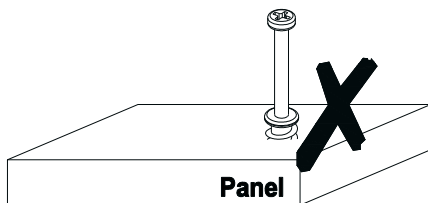
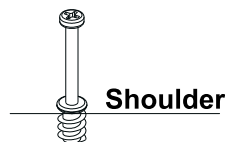
 CORRECT  
 WRONG



Cam bolt head needs to be in centre

### CAMBOLT

Tighten until shoulder in flush with panel. Do not overtighten or undertighten (see example beside)

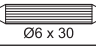


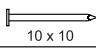
# STEP 1

## PARTS REQUIRED

1 - LEFT SIDE PANEL x1

## HARDWARE REQUIRED

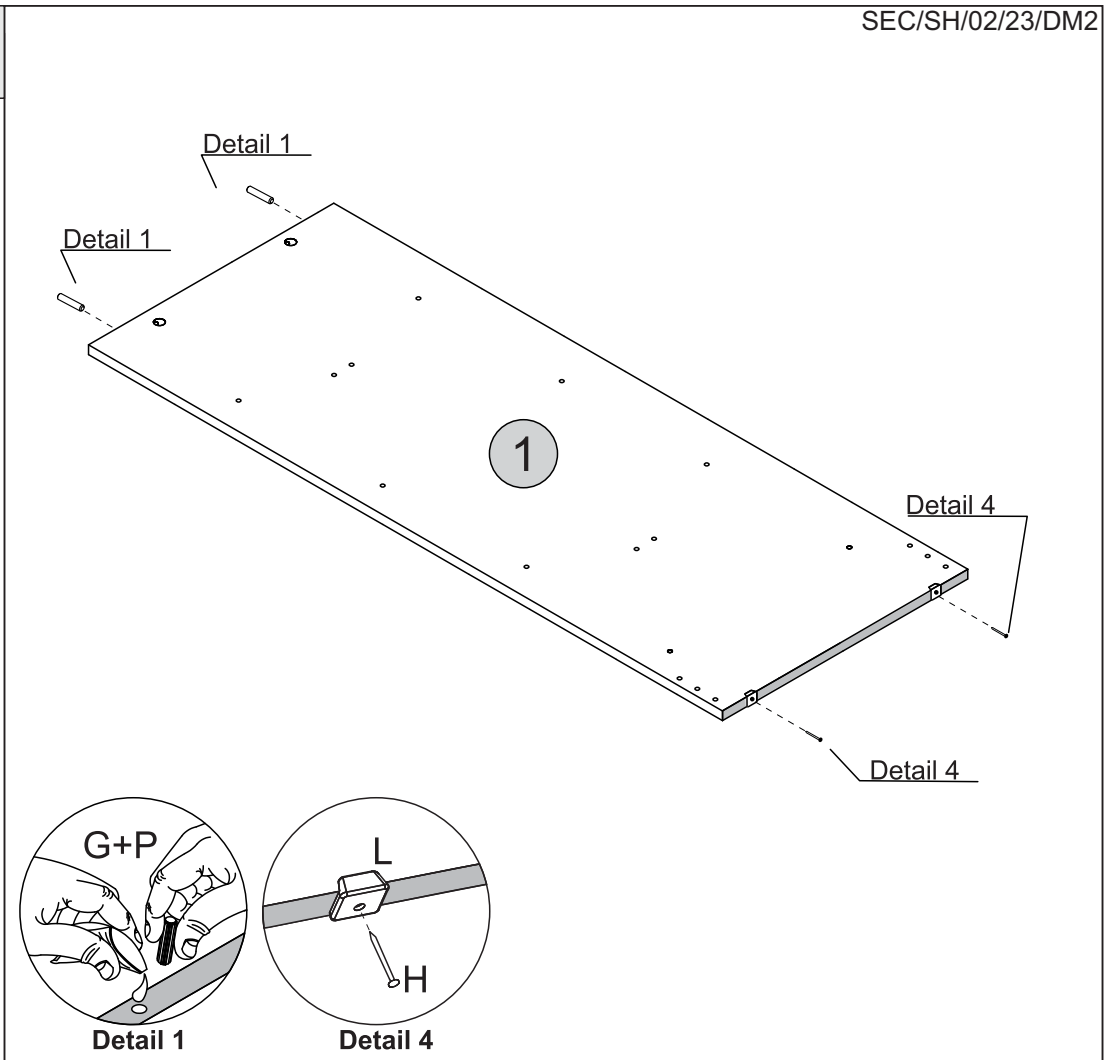
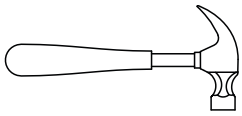
G  02  
Ø6 x 30

H  02  
10 x 10

L  02

P  01  
GLUE

## TOOLS REQUIRED

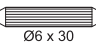


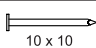
# STEP 2

## PARTS REQUIRED

2 - RIGHT SIDE PANEL x1

## HARDWARE REQUIRED

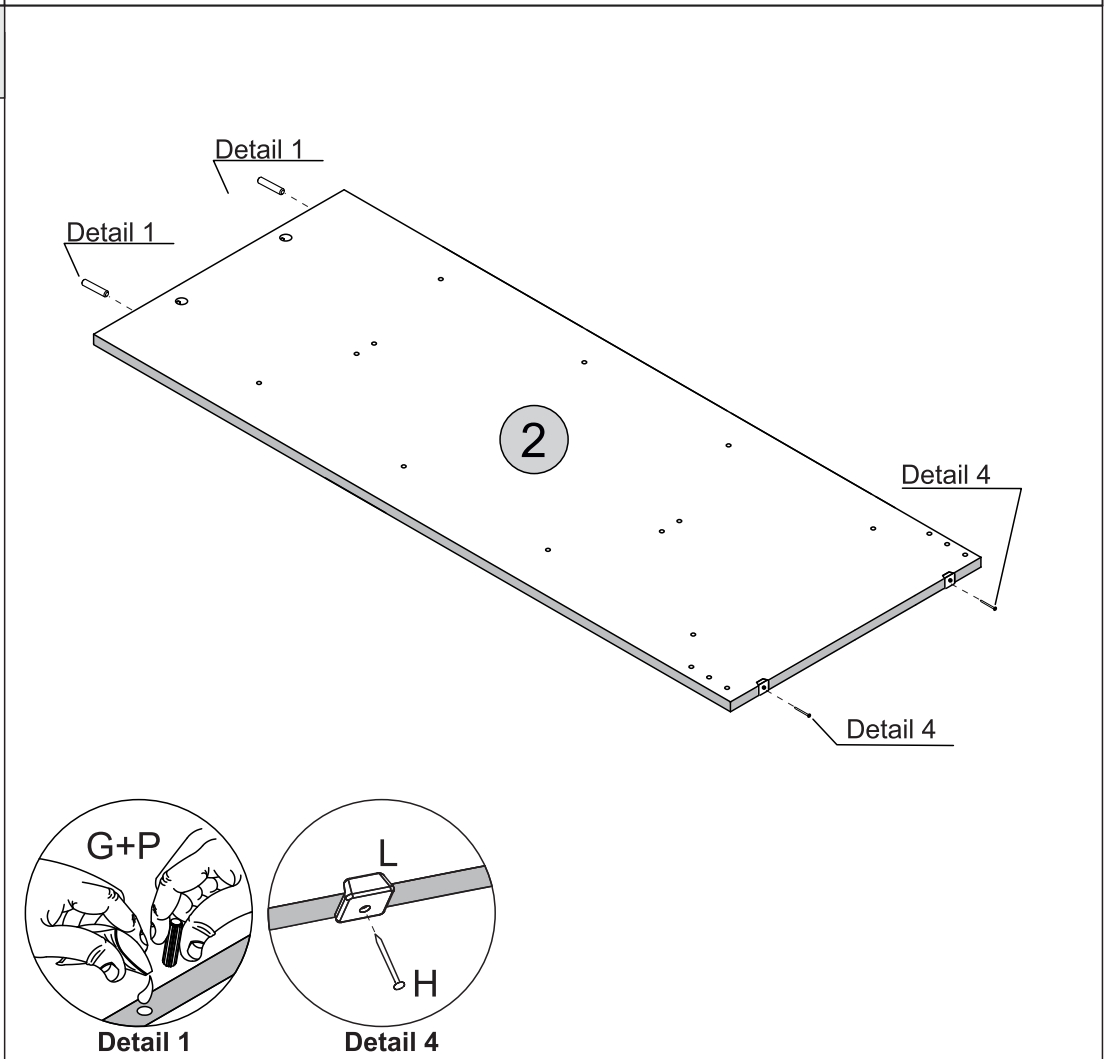
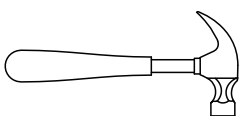
G  02  
Ø6 x 30

H  02  
10 x 10

L  02

P  01  
GLUE

## TOOLS REQUIRED



# STEP 3

## PARTS REQUIRED

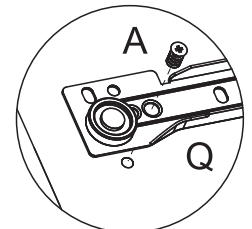
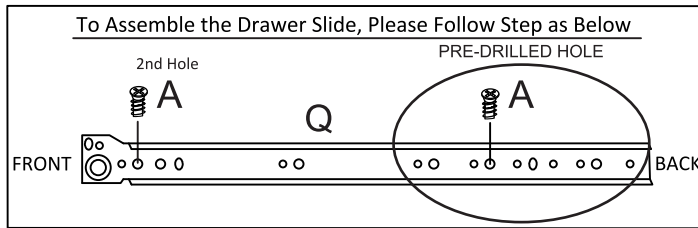
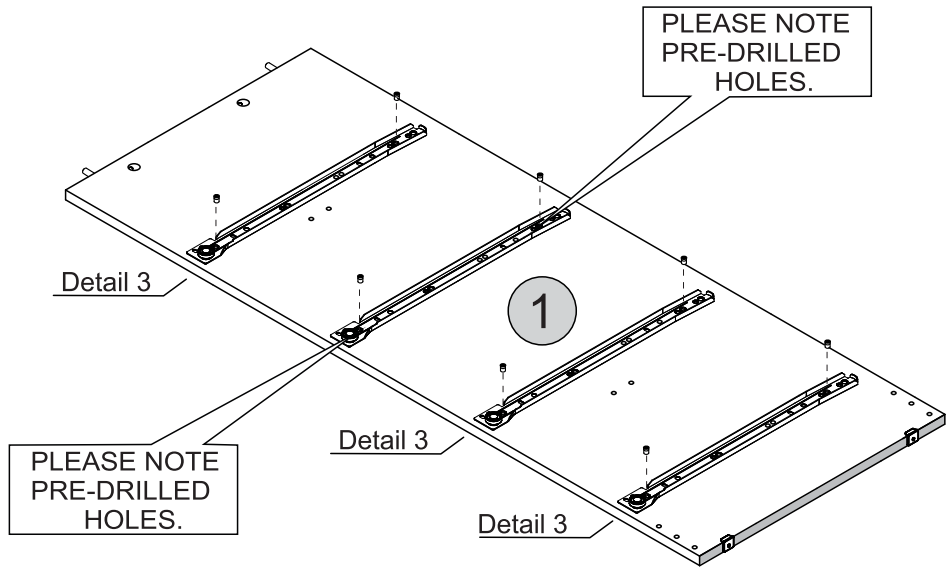
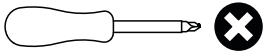
1 - LEFT SIDE PANEL x1

## HARDWARE REQUIRED

A  08  
Ø6,0 x 8mm

Q  04  
LEFT

## TOOLS REQUIRED



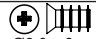
Detail 3

# STEP 4

## PARTS REQUIRED

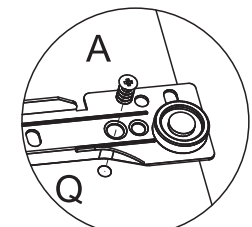
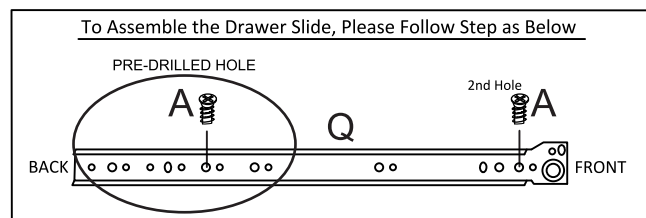
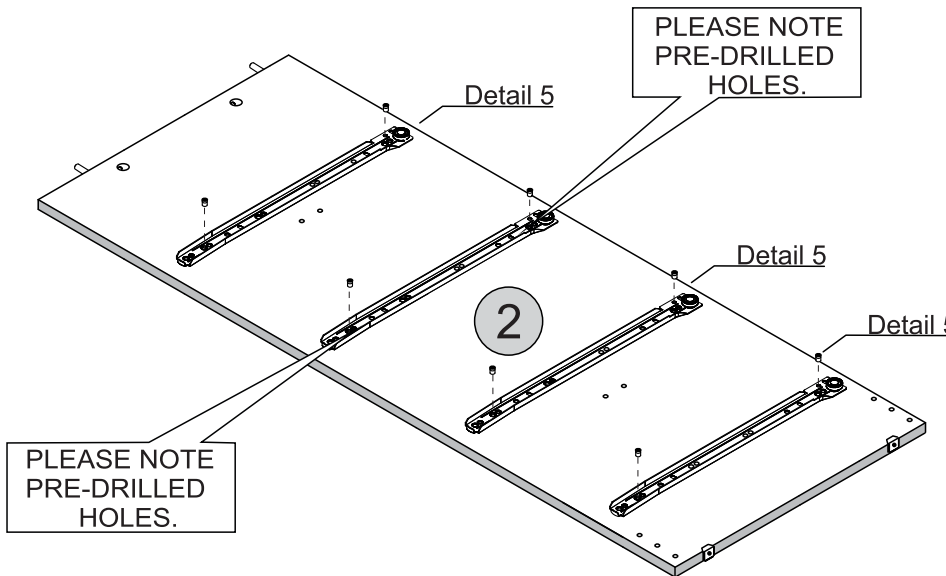
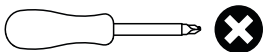
2 - RIGHT SIDE PANEL x1

## HARDWARE REQUIRED

A  08  
Ø6,0 x 8mm

Q  04  
RIGHT

## TOOLS REQUIRED



Detail 5

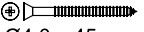



# STEP 7

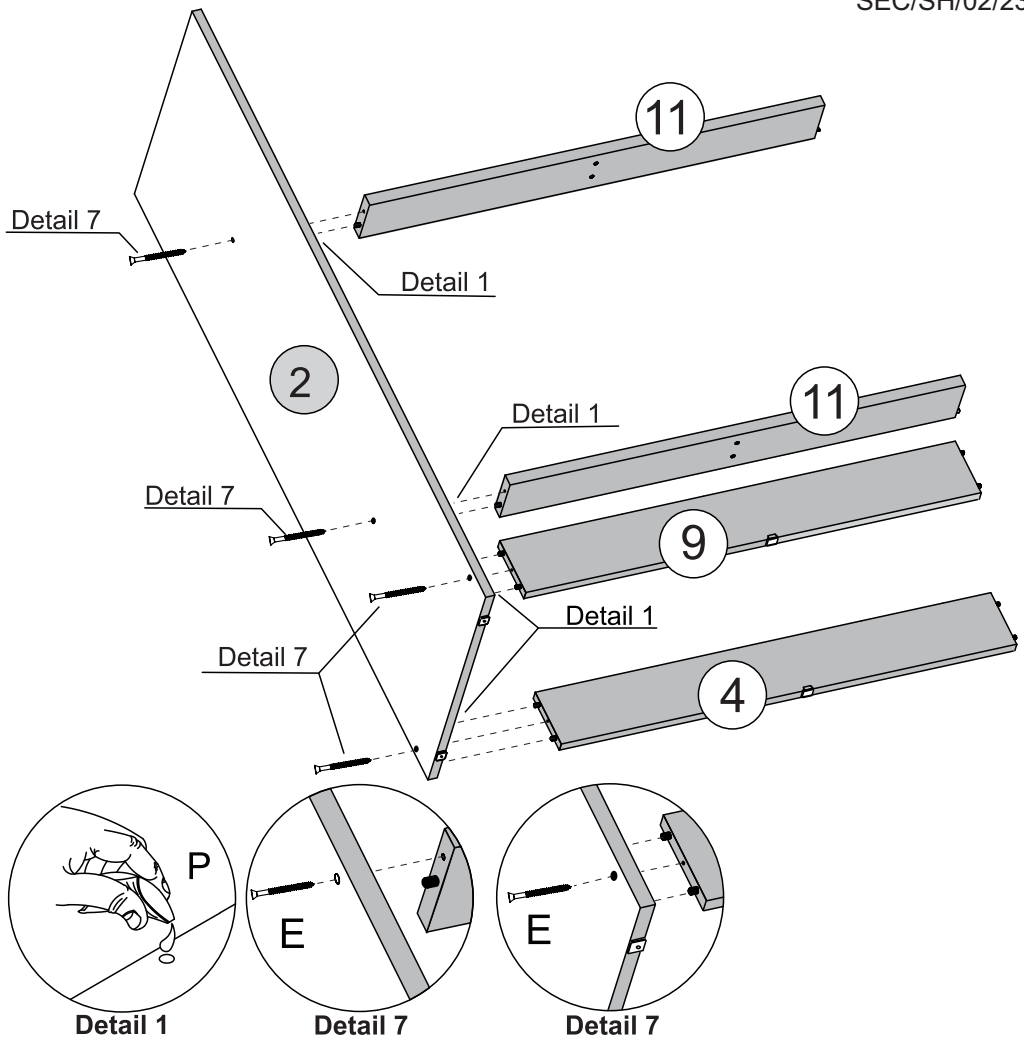
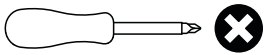
## PARTS REQUIRED

|                      |    |
|----------------------|----|
| 2 - RIGHT SIDE PANEL | x1 |
| 4 - FRONT BASEBOARD  | x1 |
| 9 - BACK BASEBOARD   | x1 |
| 11 - CROSSBAR        | x2 |

## HARDWARE REQUIRED

|   |   |             |    |
|---|---|-------------|----|
| E |  | Ø4,0 x 45mm | 04 |
| P |  | GLUE        | 01 |

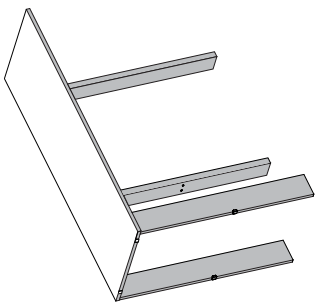
## TOOLS REQUIRED



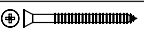

# STEP 8

## PARTS REQUIRED

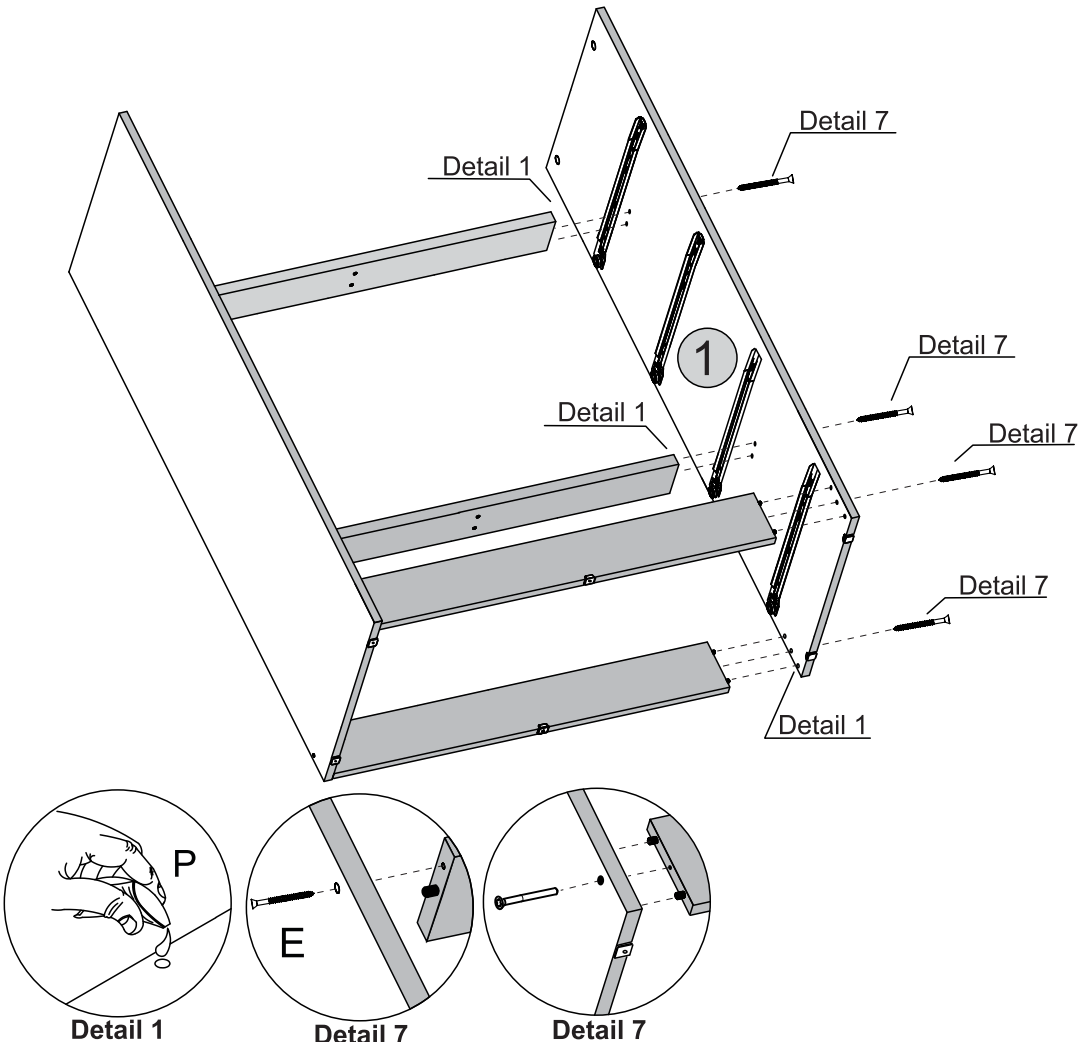
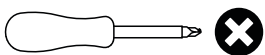
|                     |    |
|---------------------|----|
| 1 - LEFT SIDE PANEL | x1 |
|---------------------|----|



## HARDWARE REQUIRED

|   |   |             |    |
|---|---|-------------|----|
| E |  | Ø4,0 x 45mm | 04 |
| P |  | GLUE        | 01 |

## TOOLS REQUIRED



# STEP 9

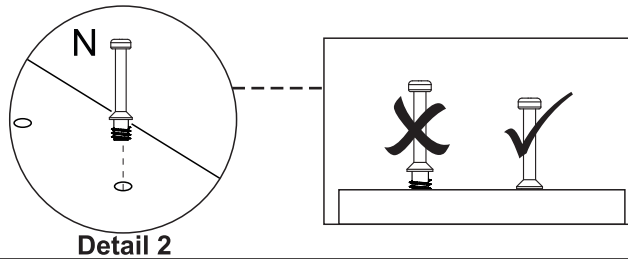
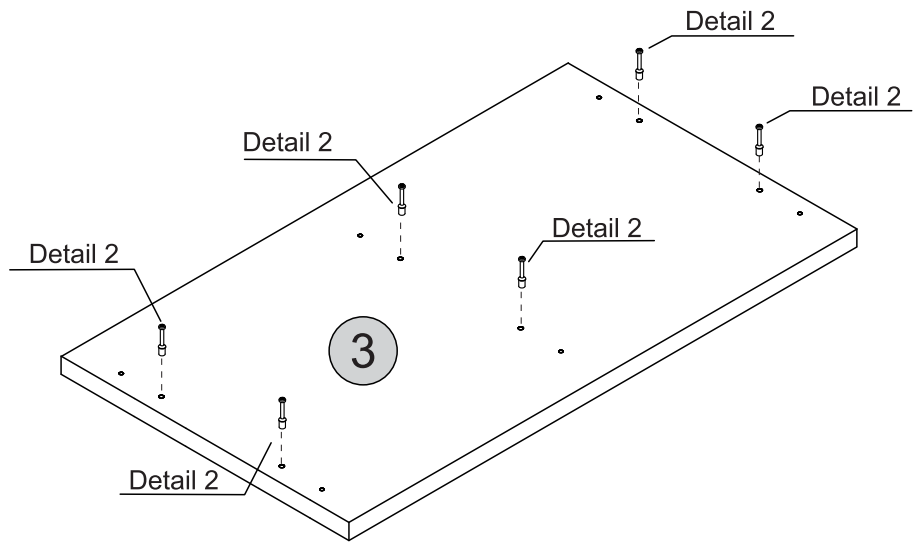
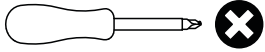
## PARTS REQUIRED

3 - TOP PANEL x1

## HARDWARE REQUIRED

N  06

## TOOLS REQUIRED



# STEP 10

## PARTS REQUIRED

3 - TOP PANEL x1

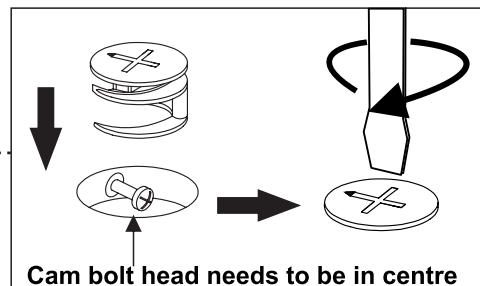
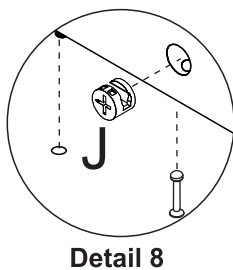
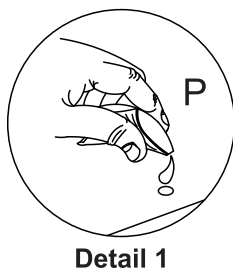
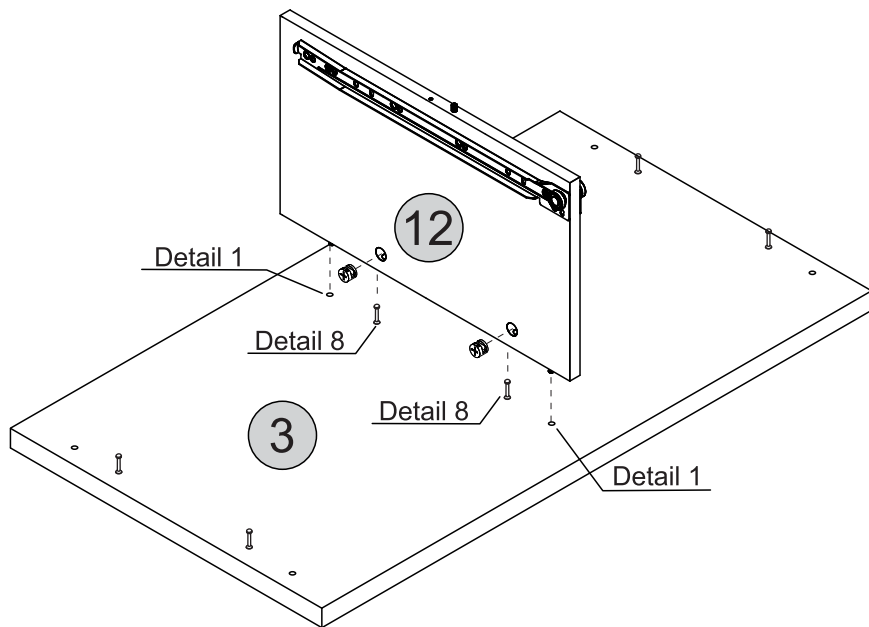
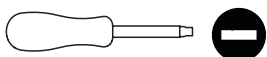
12 - DIVISION PANEL x1

## HARDWARE REQUIRED

J  02

P  01

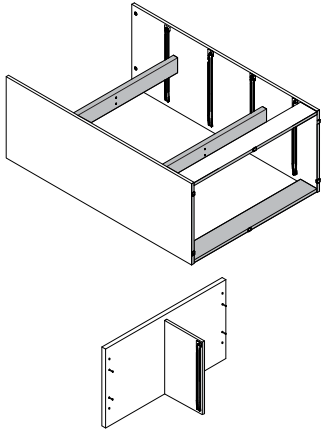
## TOOLS REQUIRED



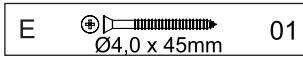


# STEP 11

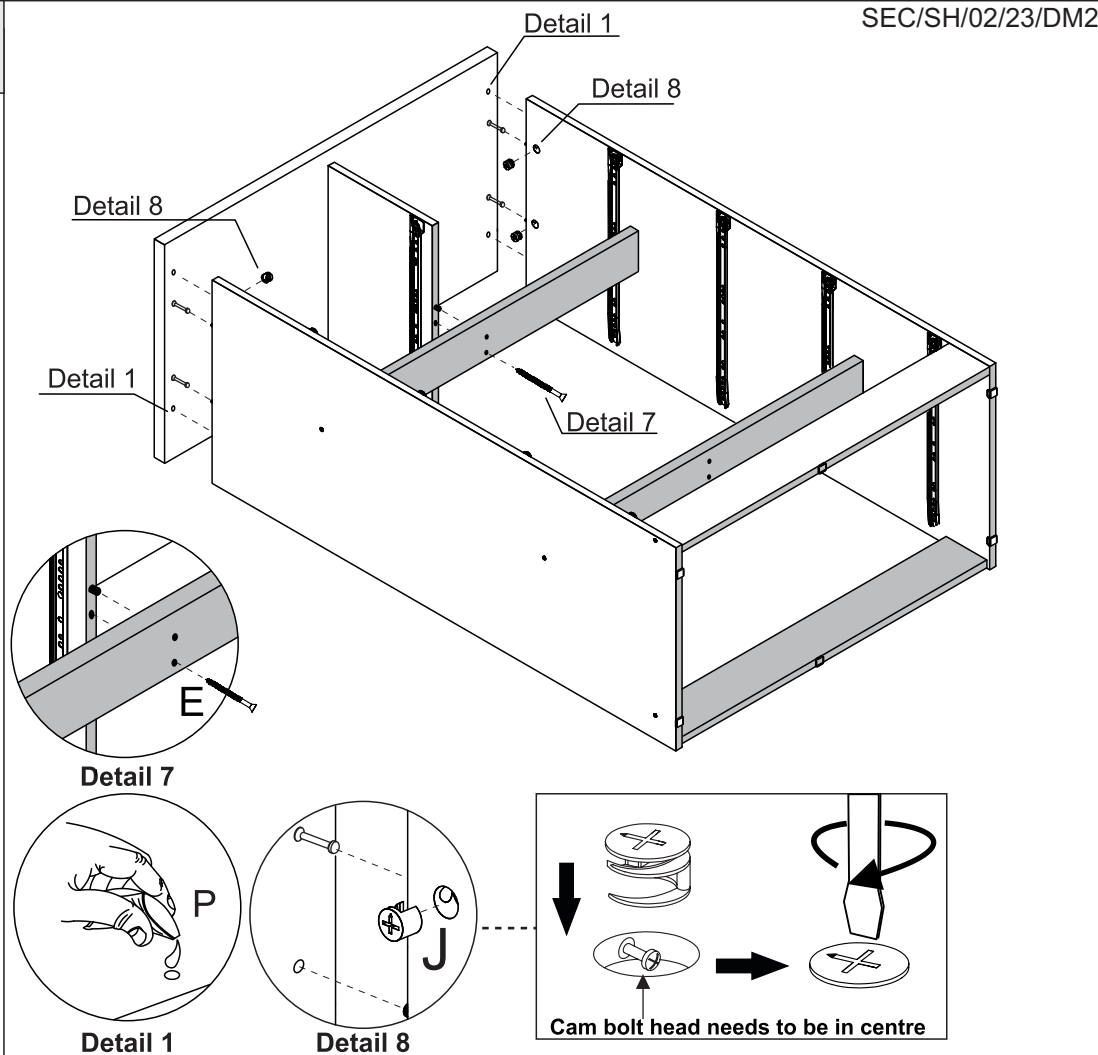
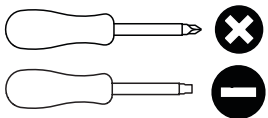
## PARTS REQUIRED



## HARDWARE REQUIRED

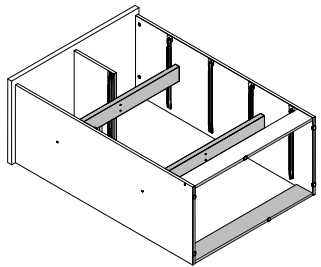


## TOOLS REQUIRED

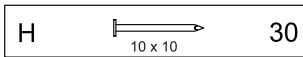
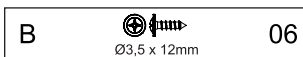


# STEP 12

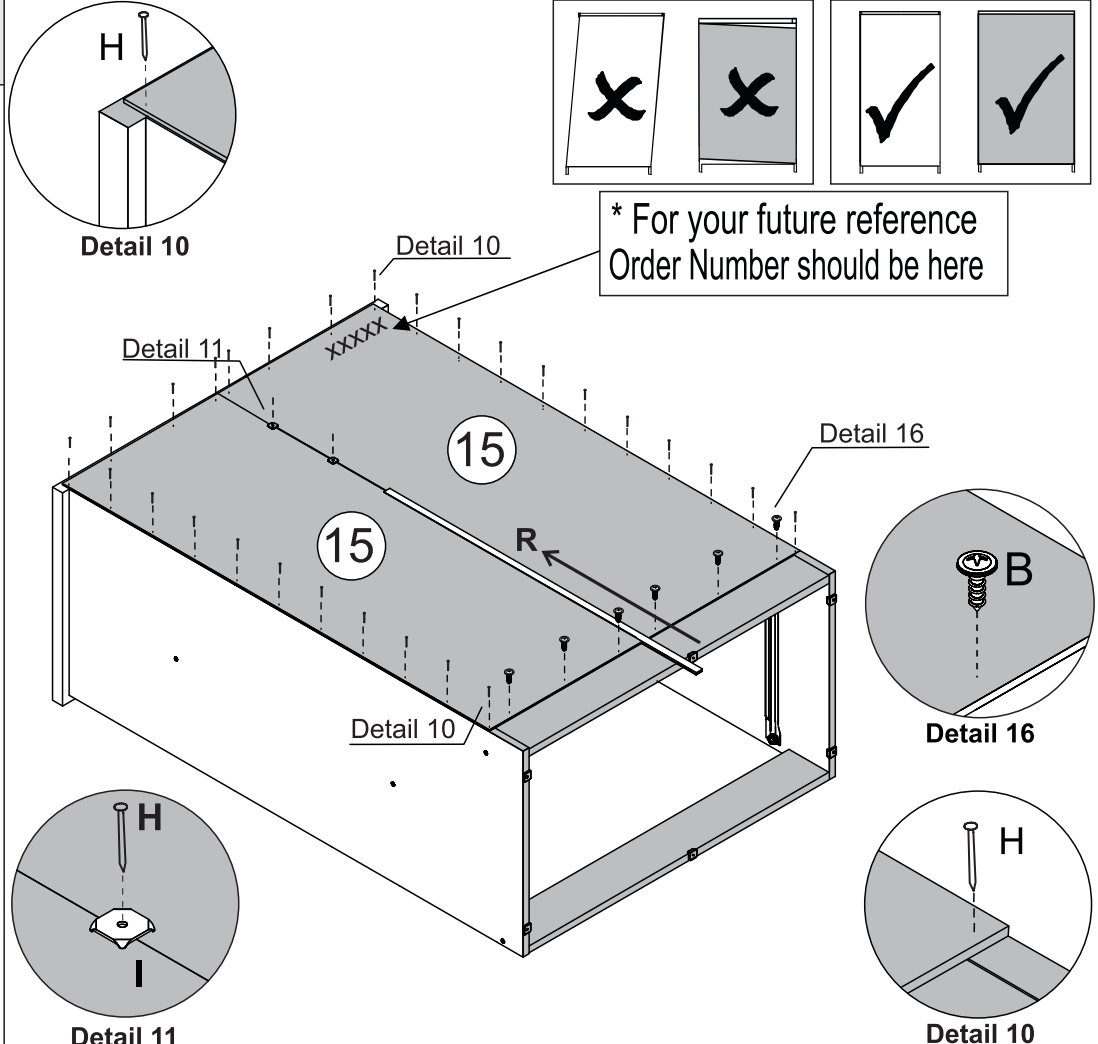
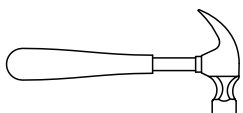
## PARTS REQUIRED



## HARDWARE REQUIRED



## TOOLS REQUIRED

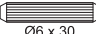



# STEP 13

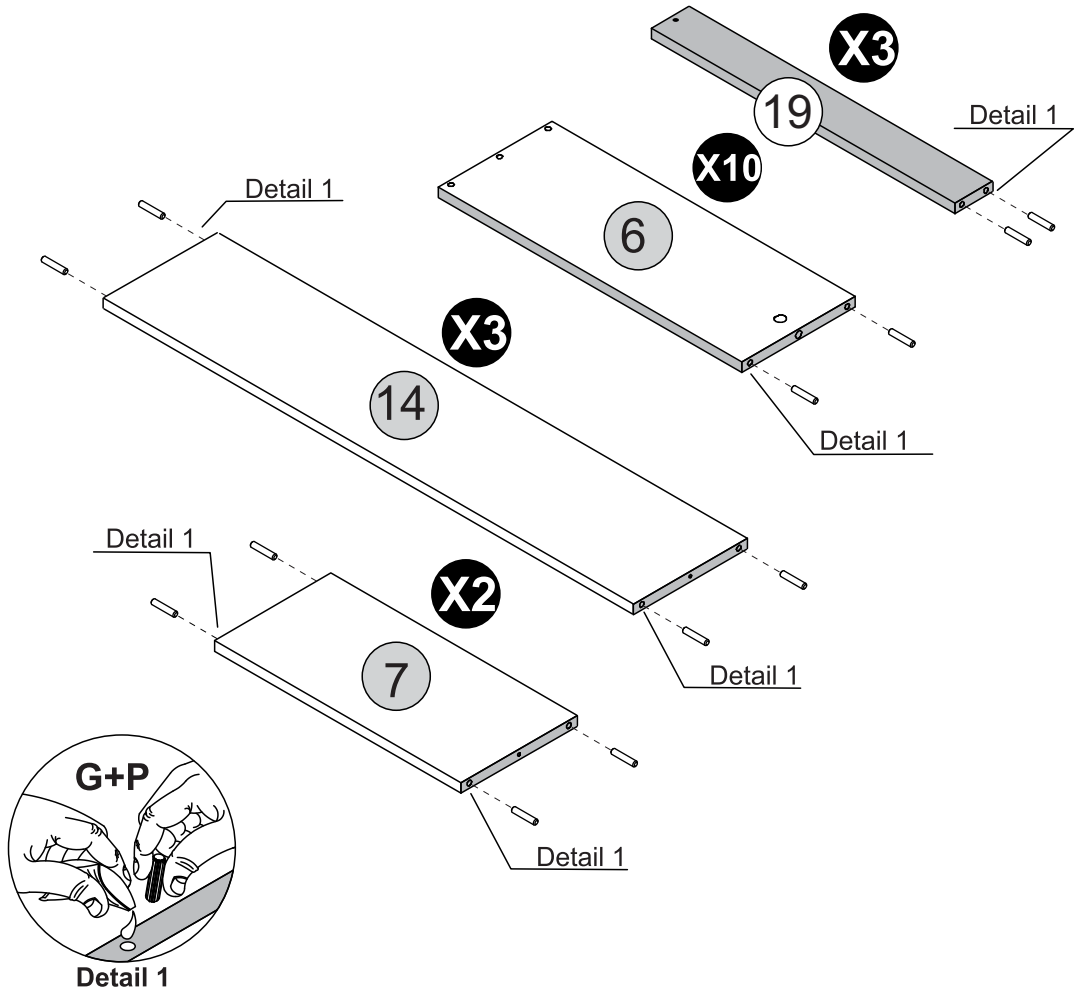
## PARTS REQUIRED

- 6 - DRAWER SIDE x10
- 7 - SMALL DRAWER BACK PANEL x2
- 14 - LARGE DRAWER BACK PANEL x3
- 19 - DRAWER BOTTOM SUPPORT BAR x3

## HARDWARE REQUIRED

- G  Ø6 x 30 46
- P  GLUE 01

## TOOLS REQUIRED




# STEP 14

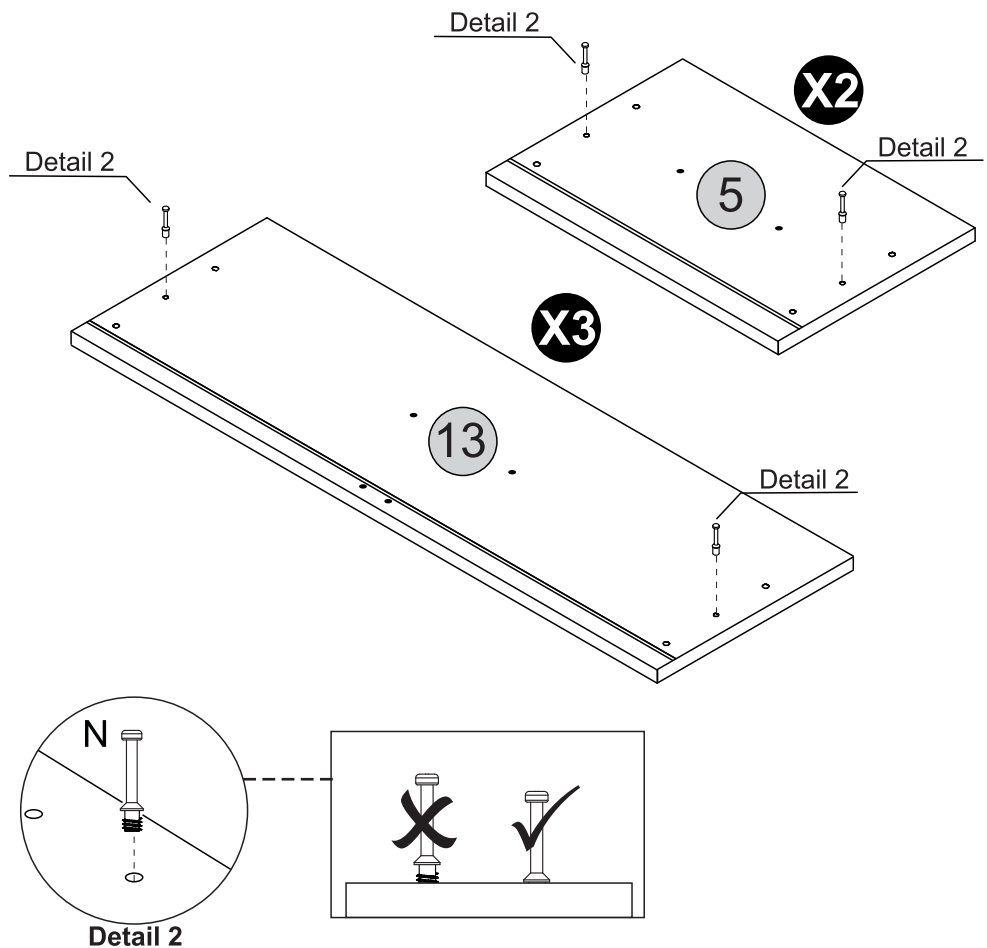
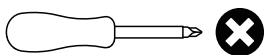
## PARTS REQUIRED

- 5 - SMALL DRAWER FRONT x2
- 13 - LARGE DRAWER FRONT x3

## HARDWARE REQUIRED

- N  10

## TOOLS REQUIRED



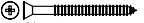
# STEP 15

## PARTS REQUIRED

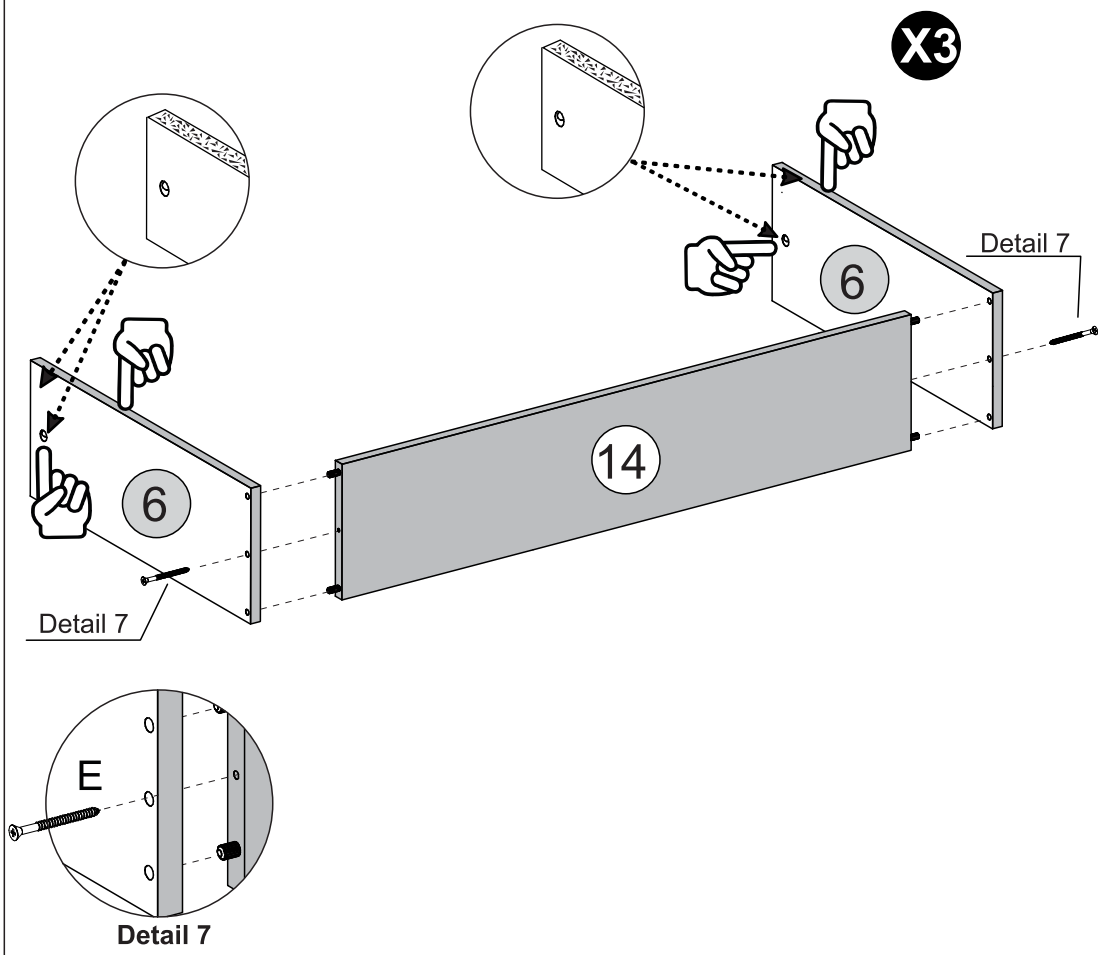
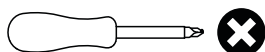
6 - DRAWER SIDE x6

14 - LARGE DRAWER BACK PANEL x3

## HARDWARE REQUIRED

E  06  
Ø4,0 x 45mm

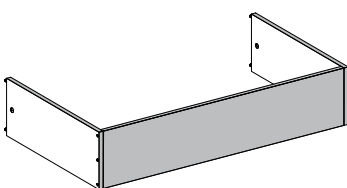
## TOOLS REQUIRED



# STEP 16

## PARTS REQUIRED

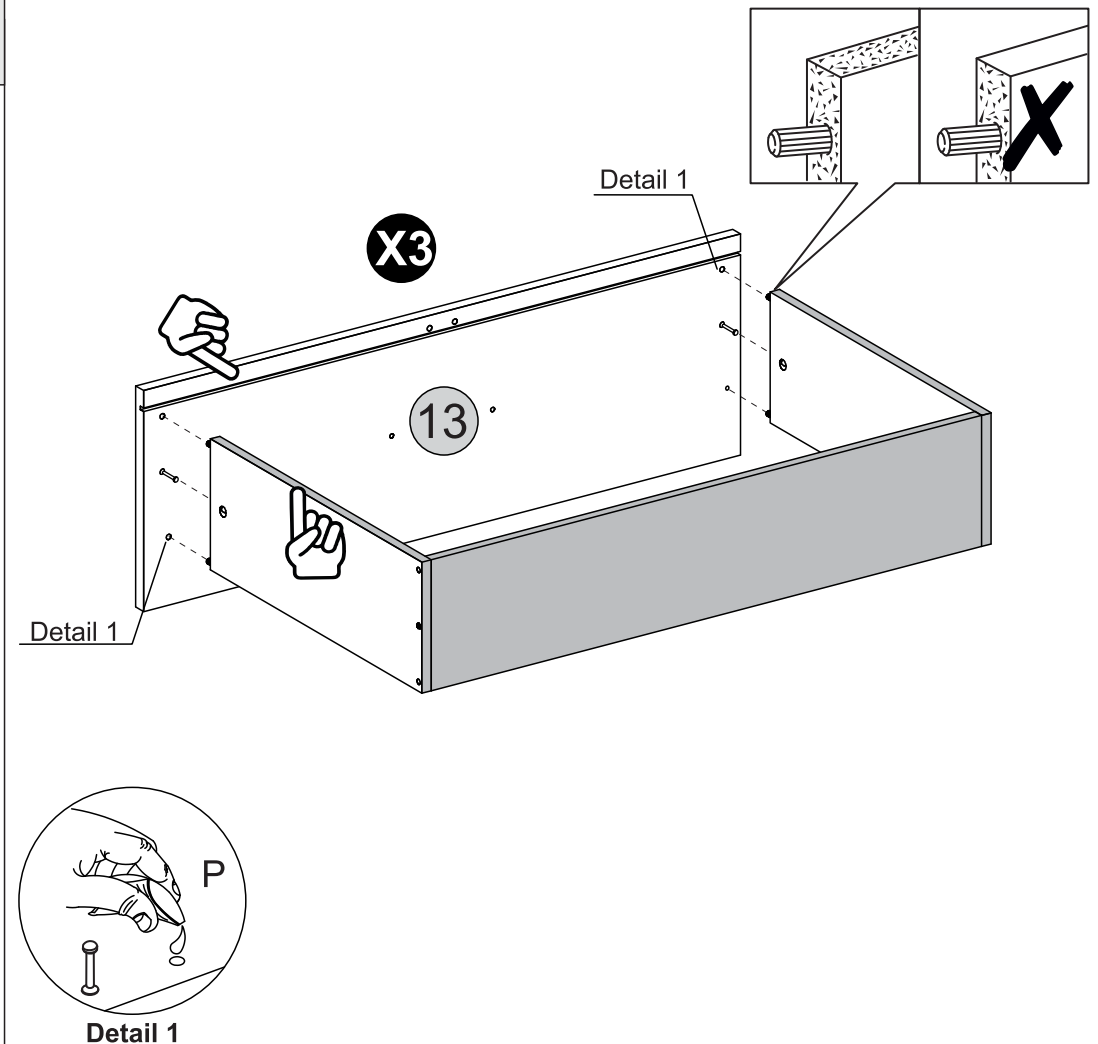
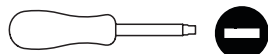
13 - LARGE DRAWER FRONT x3



## HARDWARE REQUIRED

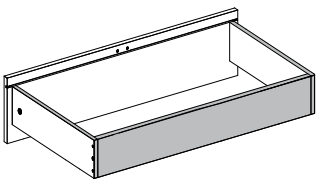
P  01

## TOOLS REQUIRED



# STEP 17

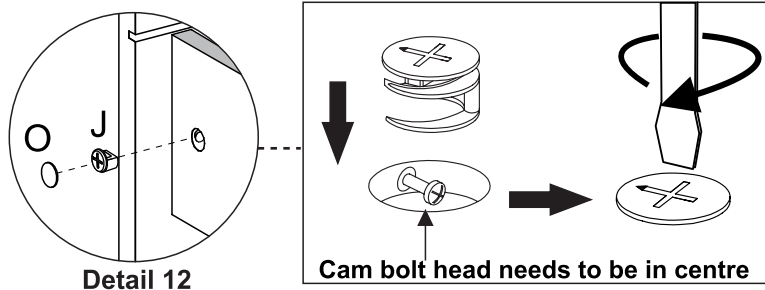
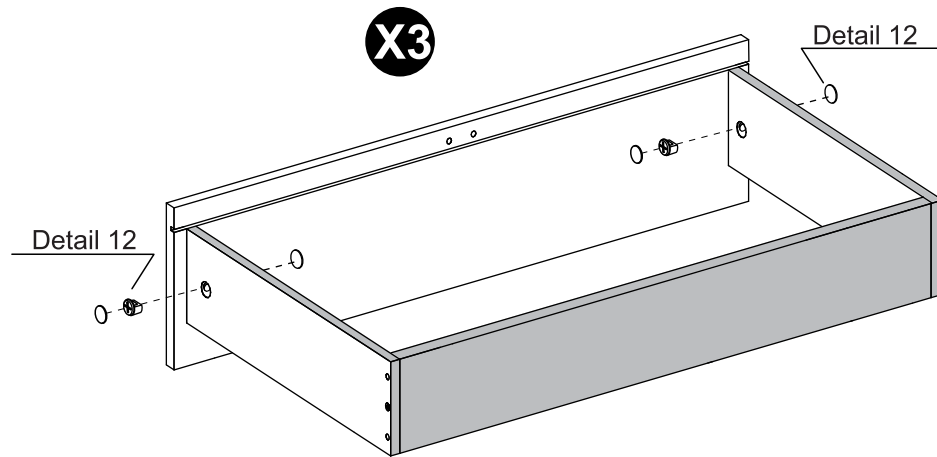
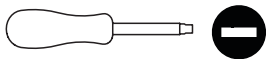
**PARTS REQUIRED**



**HARDWARE REQUIRED**



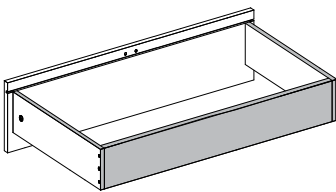
**TOOLS REQUIRED**



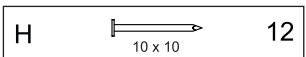
# STEP 18

**PARTS REQUIRED**

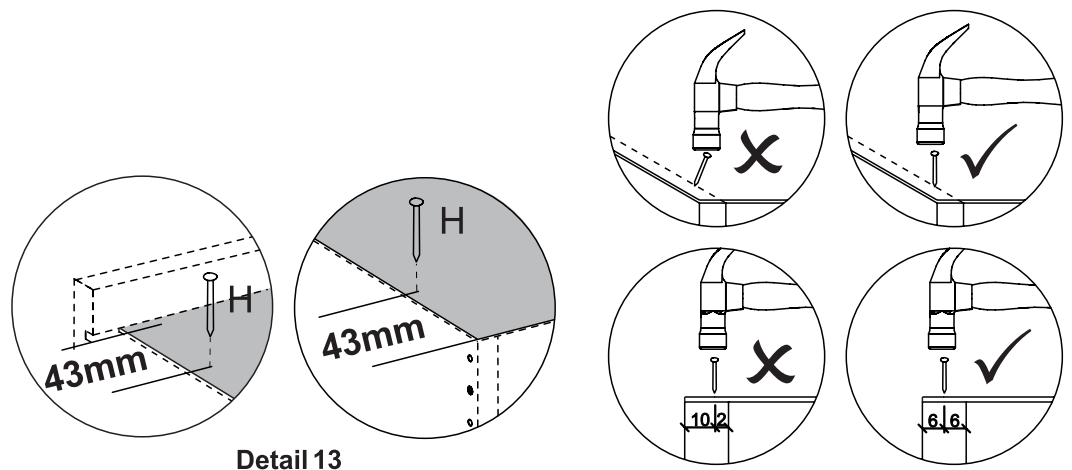
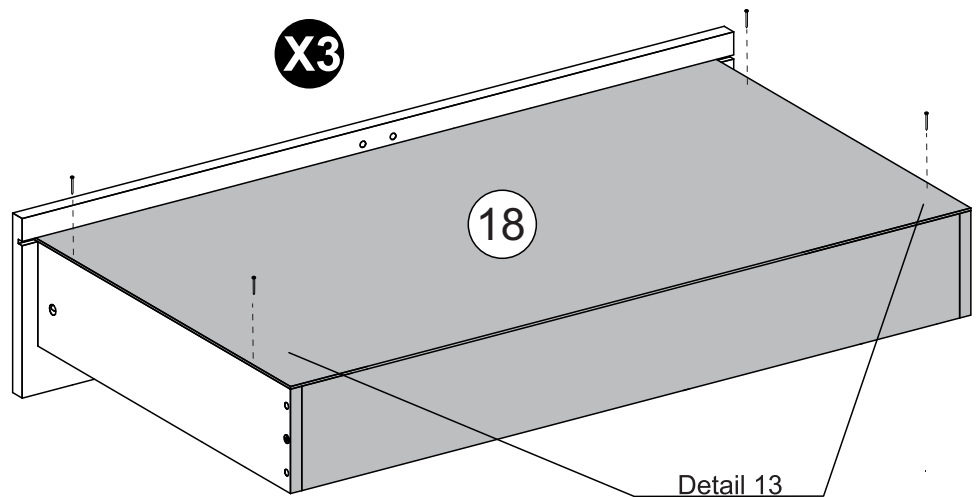
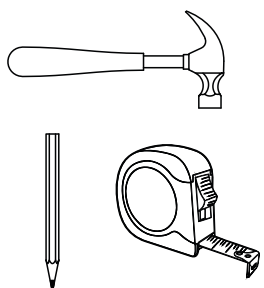
18 LARGE DRAWER BOTTOM x3



**HARDWARE REQUIRED**



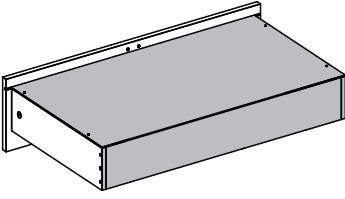
**TOOLS REQUIRED**



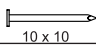
# STEP 19

## PARTS REQUIRED

19 - DRAWER BOTTOM SUPPORT BAR X3

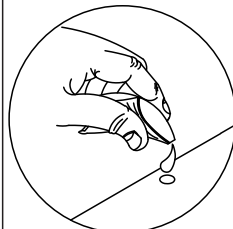
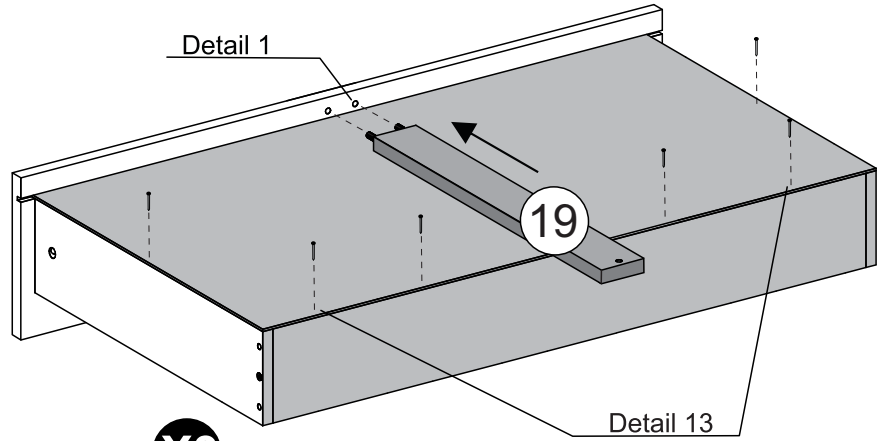
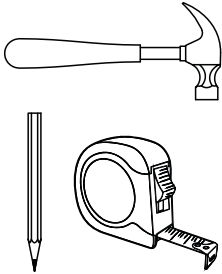


## HARDWARE REQUIRED

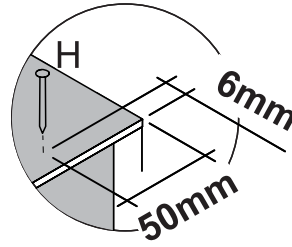
H  18  
10 x 10

P  01  
GLUE

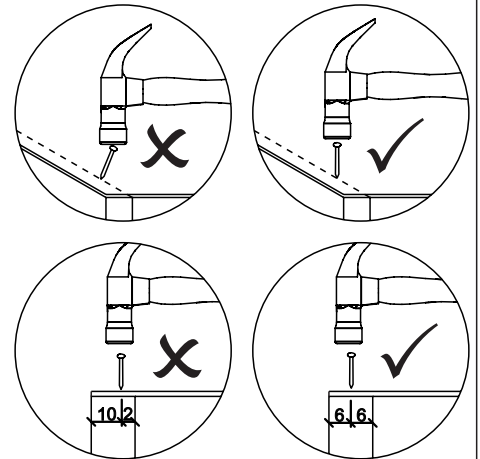
## TOOLS REQUIRED



Detail 1

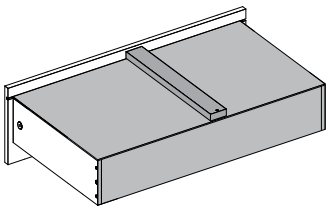


Detail 13




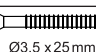
# STEP 20

## PARTS REQUIRED



## HARDWARE REQUIRED

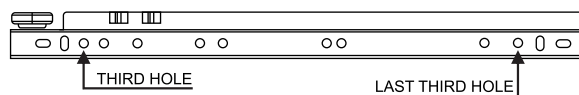
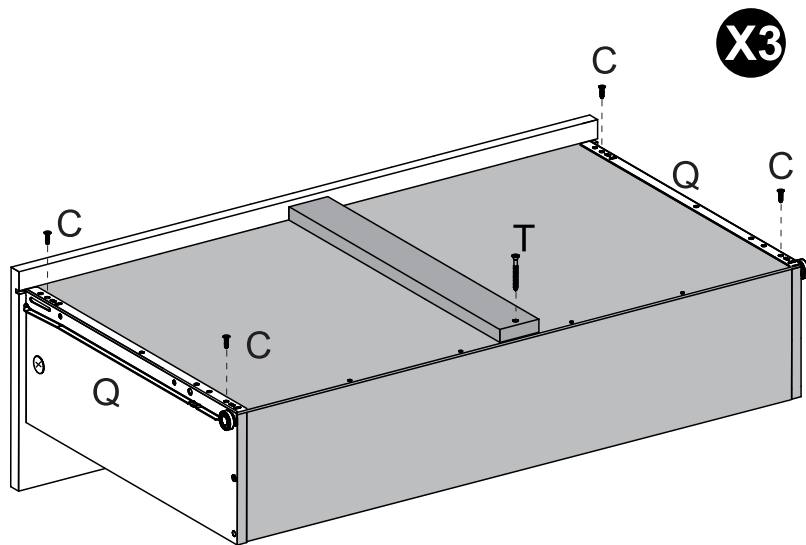
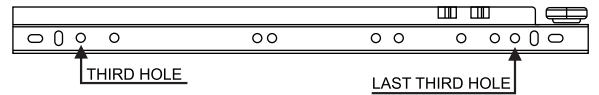
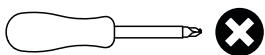
C  12  
Ø4,0 x 14mm

T  03  
Ø3,5 x 25mm

Q  03  
LEFT

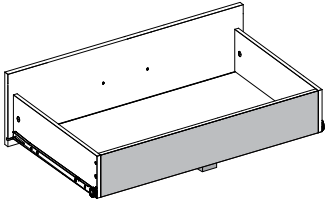
Q  03  
RIGHT

## TOOLS REQUIRED



# STEP 21

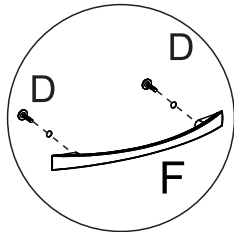
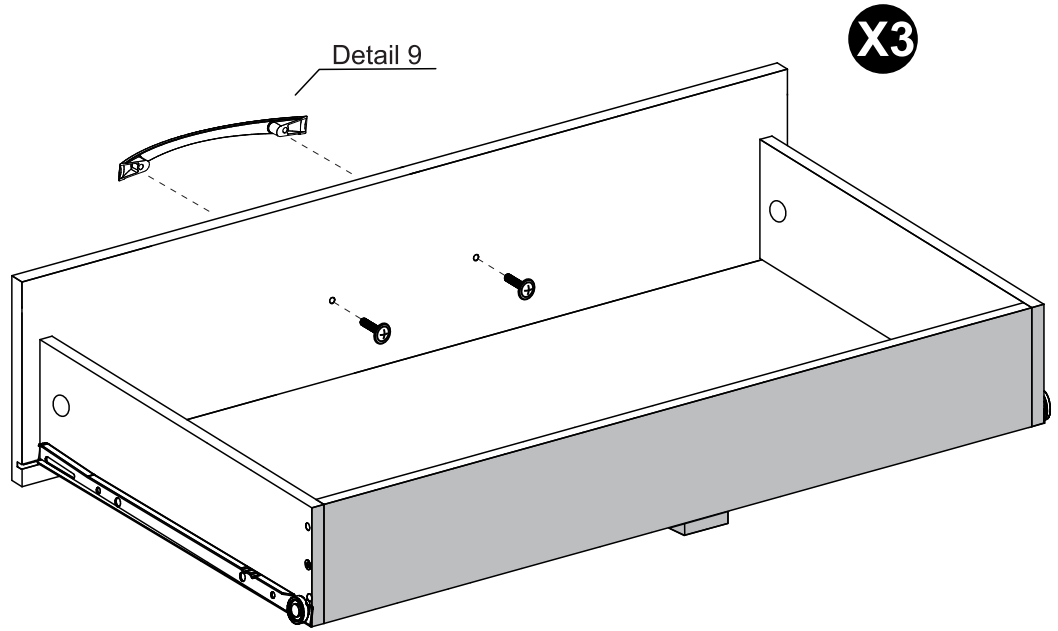
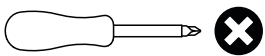
**PARTS REQUIRED**



**HARDWARE REQUIRED**



**TOOLS REQUIRED**



Detail 9

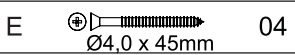
# STEP 22

**PARTS REQUIRED**

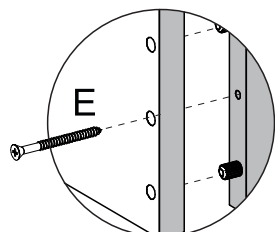
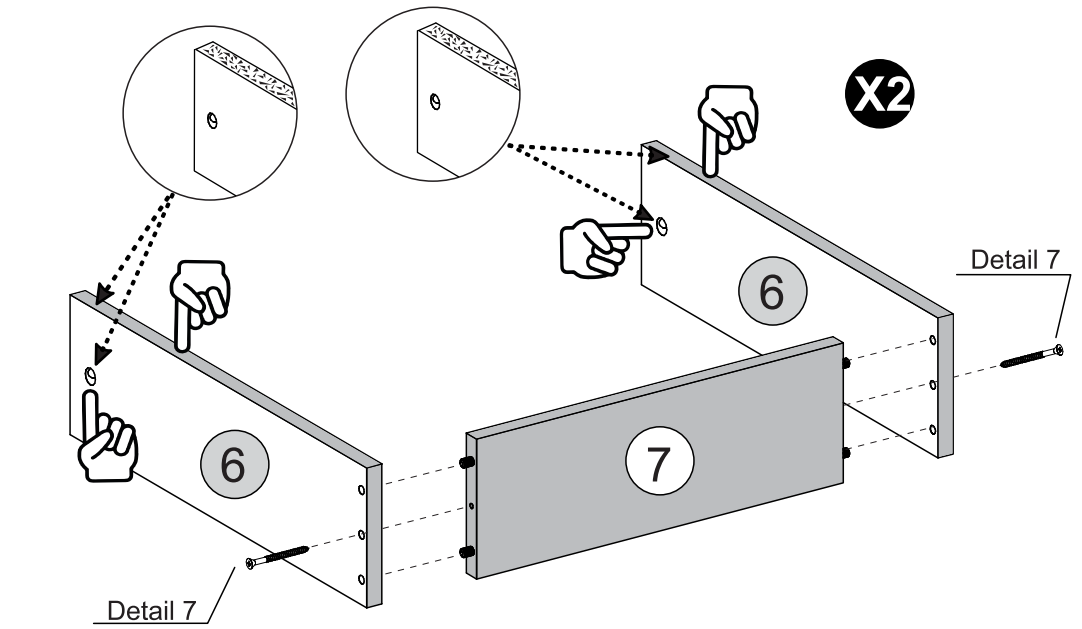
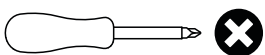
6 - DRAWER SIDE x4

7 - SMALL DRAWER BACK PANEL x2

**HARDWARE REQUIRED**



**TOOLS REQUIRED**

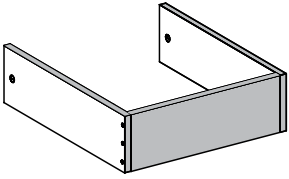


Detail 7

# STEP 23

PARTS REQUIRED

5 - SMALL DRAWER FRONT x3

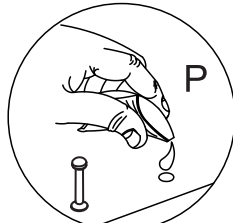
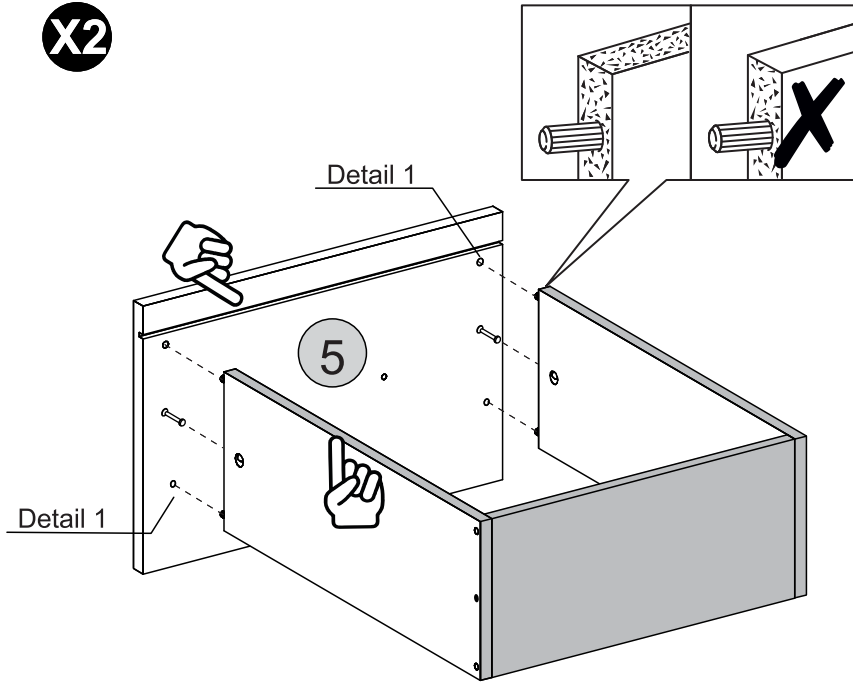


HARDWARE REQUIRED

P  01

TOOLS REQUIRED

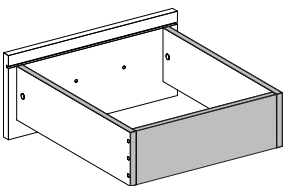
**X2**



Detail 1

# STEP 24

PARTS REQUIRED



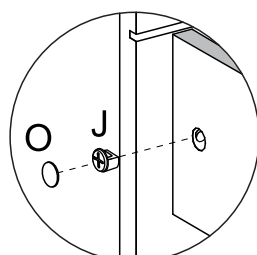
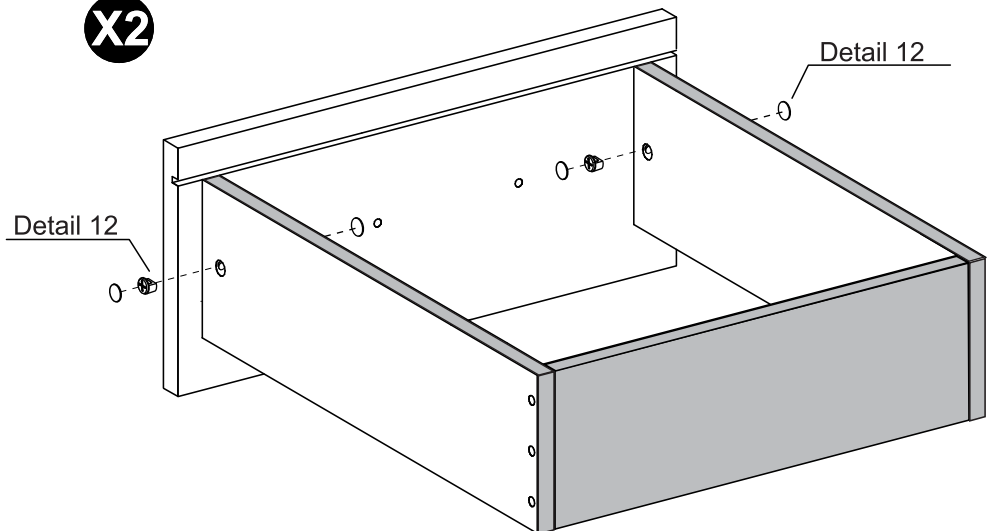
HARDWARE REQUIRED

J  04

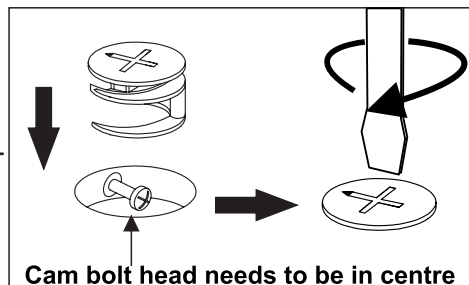
O  08

TOOLS REQUIRED

**X2**



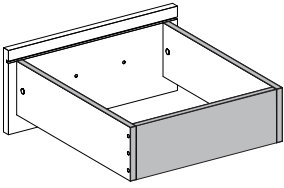
Detail 12



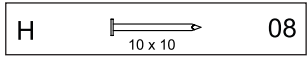
# STEP 25

## PARTS REQUIRED

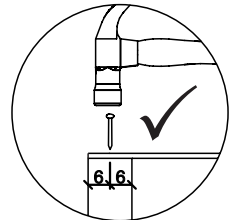
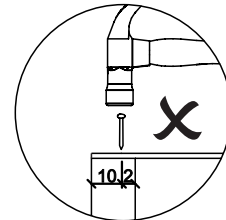
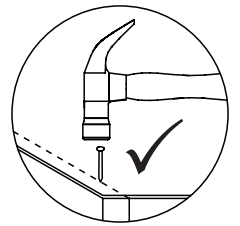
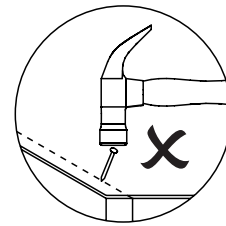
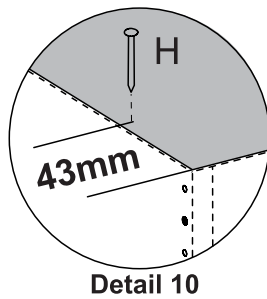
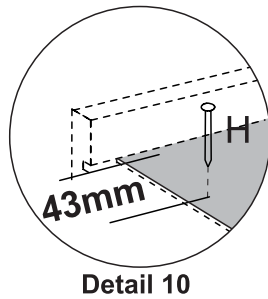
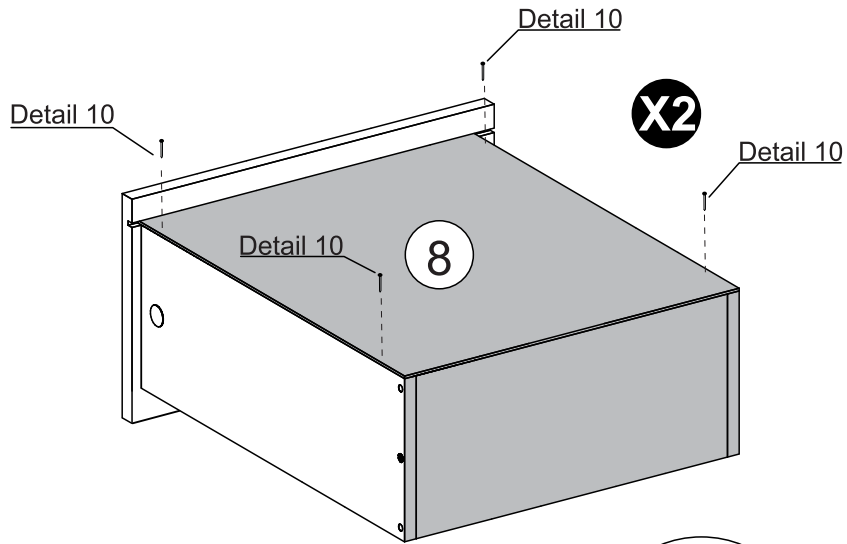
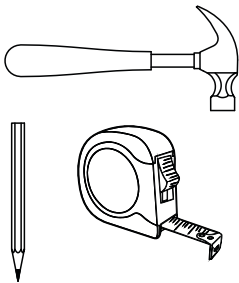
8 - SMALL DRAWER BOTTOM x2



## HARDWARE REQUIRED

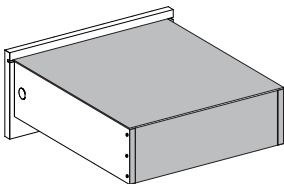


## TOOLS REQUIRED

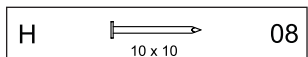


# STEP 26

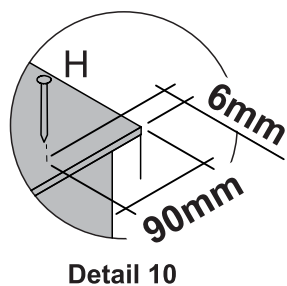
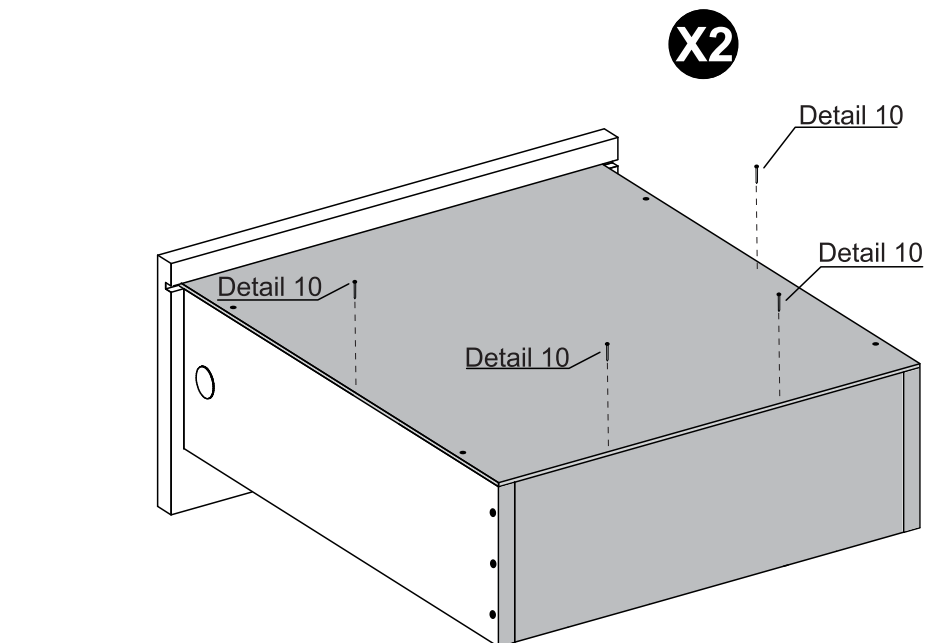
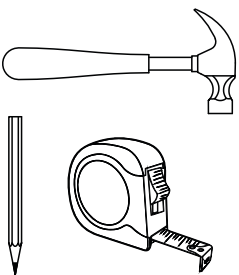
## PARTS REQUIRED



## HARDWARE REQUIRED



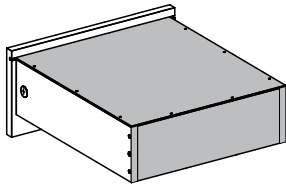
## TOOLS REQUIRED



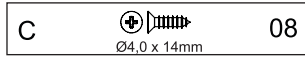


# STEP 27

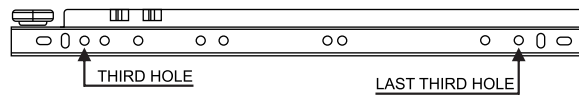
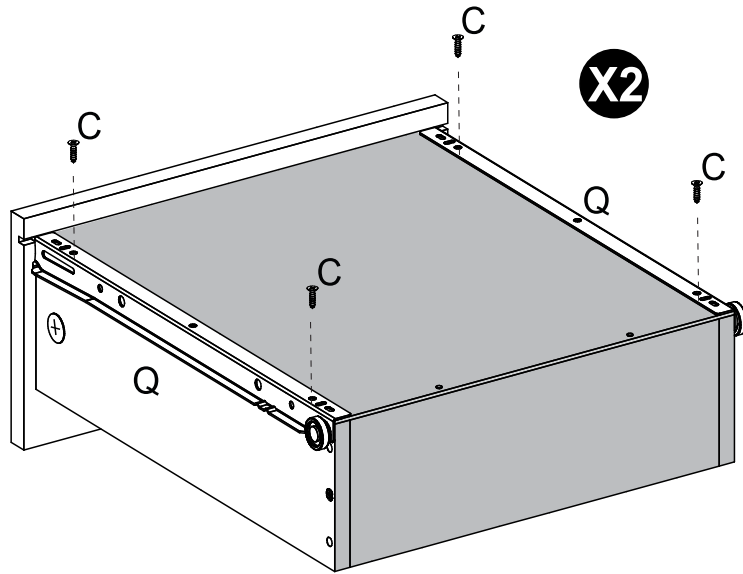
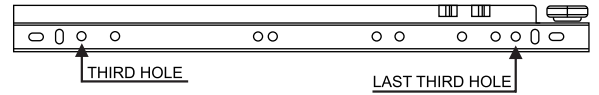
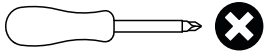
**PARTS REQUIRED**



**HARDWARE REQUIRED**

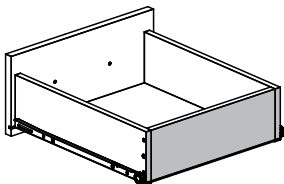


**TOOLS REQUIRED**



# STEP 28

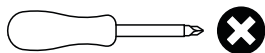
**PARTS REQUIRED**



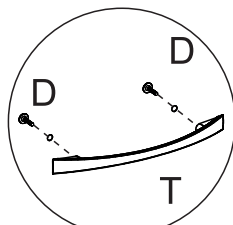
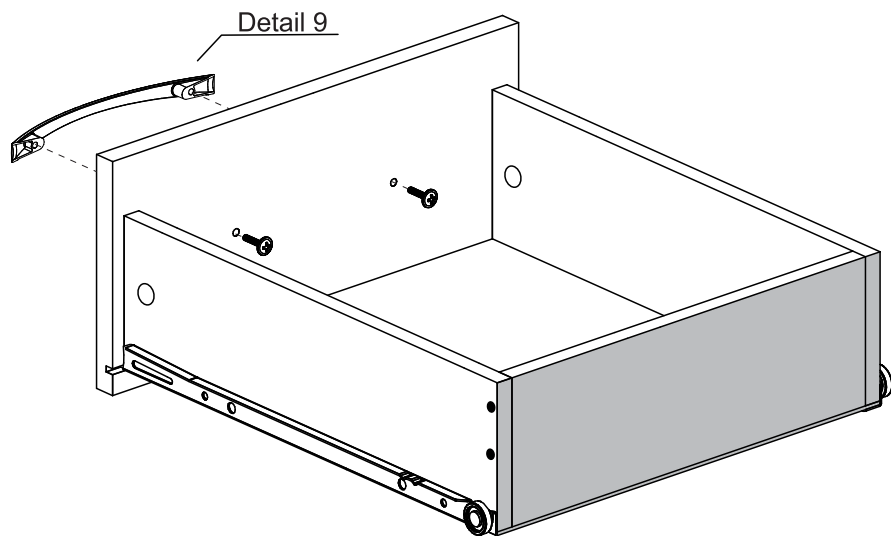
**HARDWARE REQUIRED**



**TOOLS REQUIRED**



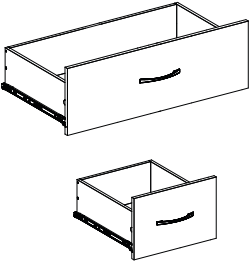
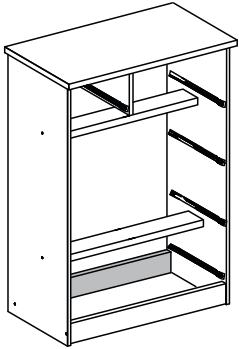
**X2**



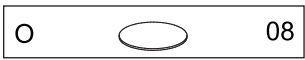
Detail 9

# STEP 29

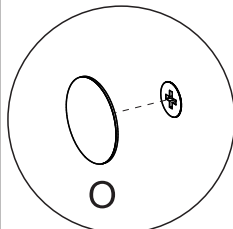
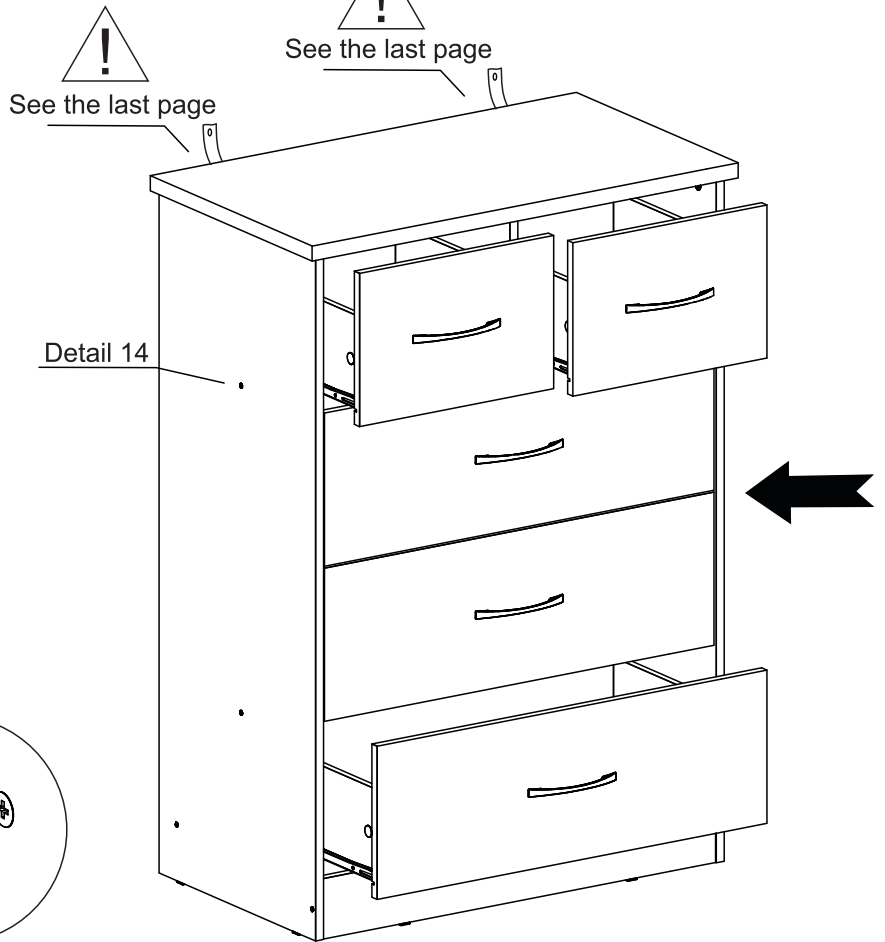
**PARTS REQUIRED**



**HARDWARE REQUIRED**



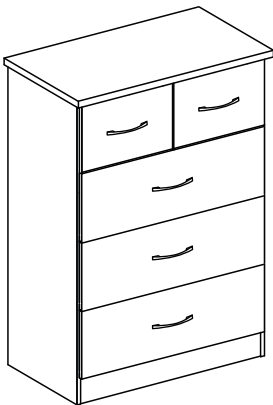
**TOOLS REQUIRED**



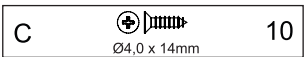
Detail 14

# STEP 30

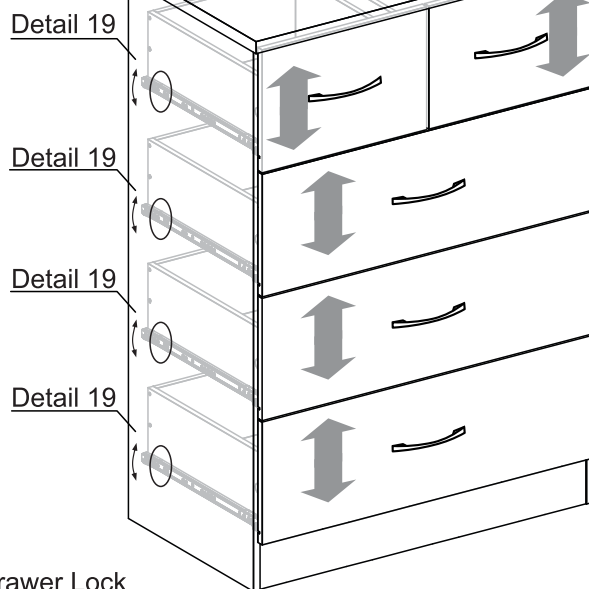
**PARTS REQUIRED**



**HARDWARE REQUIRED**

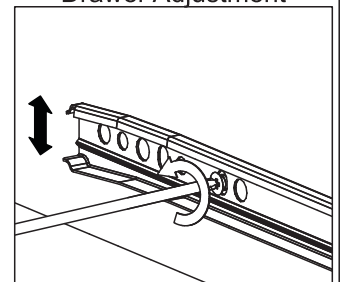


**TOOLS REQUIRED**



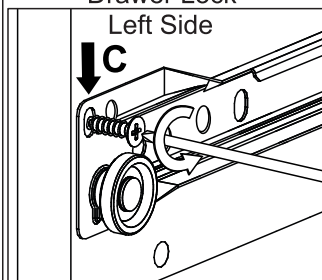
**TIP**  
If desired, after assembly use an alcohol cleaner to erase the number printed on the parts.

**Drawer Adjustment**



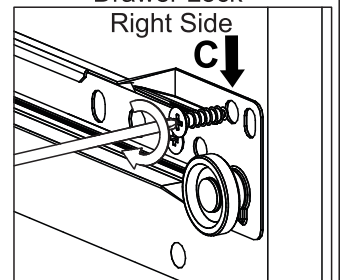
Detail 19

**Drawer Lock Left Side**



Detail 18

**Drawer Lock Right Side**



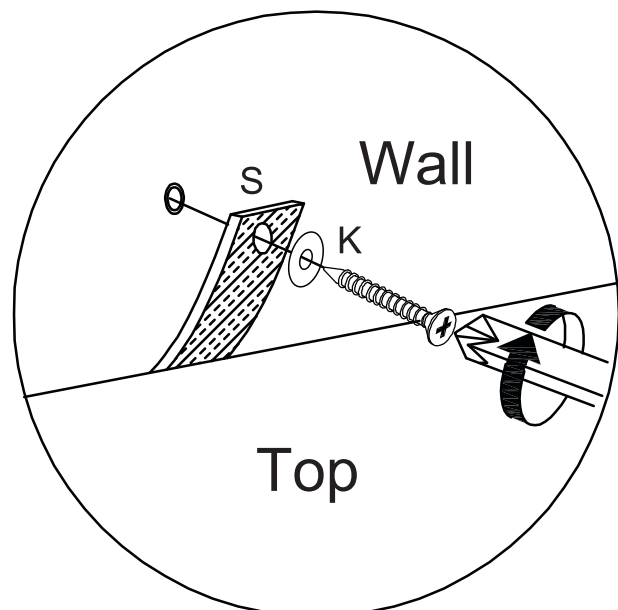
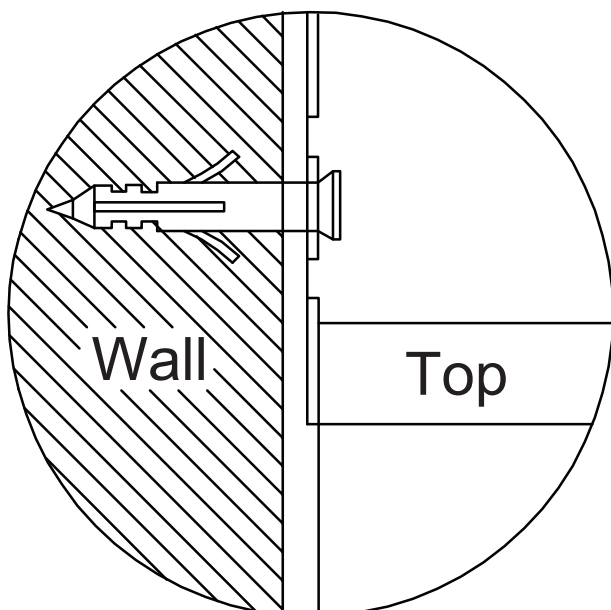
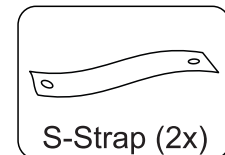
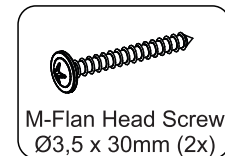
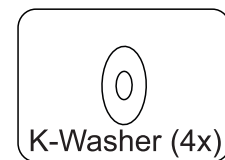
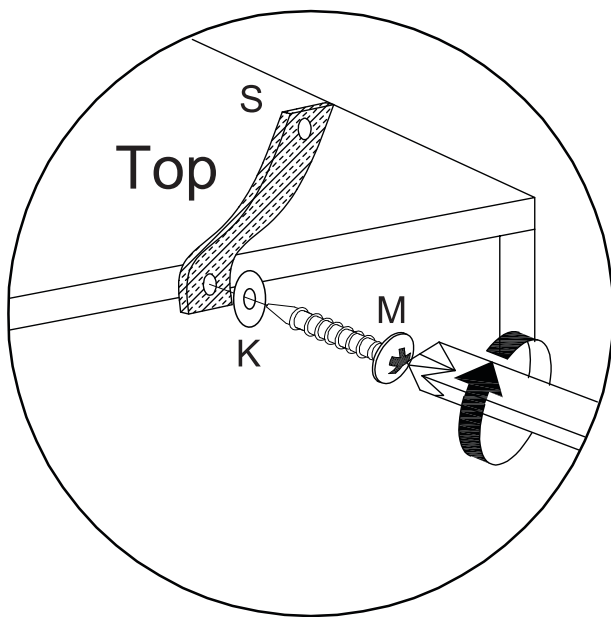
Detail 15

## WARNING

**Serious or fatal injuries can occur from furniture tipping over. To prevent the furniture from tipping over we recommend that it is permanently fixed to the wall.**

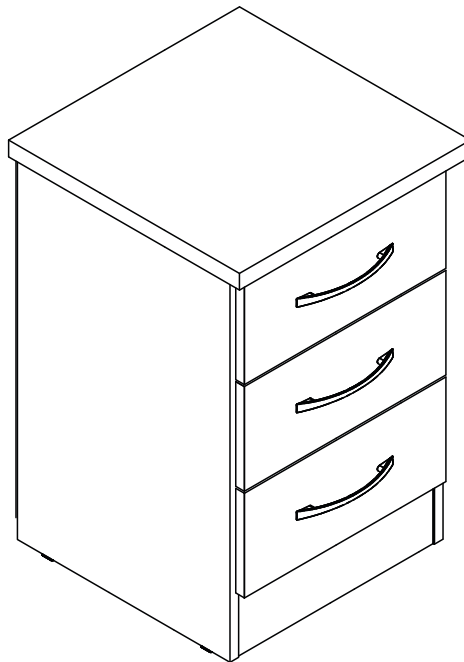
Wall fixings are not supplied with this product as different wall materials require different types of fixing devices.

Please make sure you use fixings suitable for the walls in your home.



# NEVADA 3 DRAWER BEDSIDE ASSEMBLY INSTRUCTIONS

|  |
|--|
|  |
|  |
|  |
|  |



## **IMPORTANT FOR DOMESTIC USE ONLY**

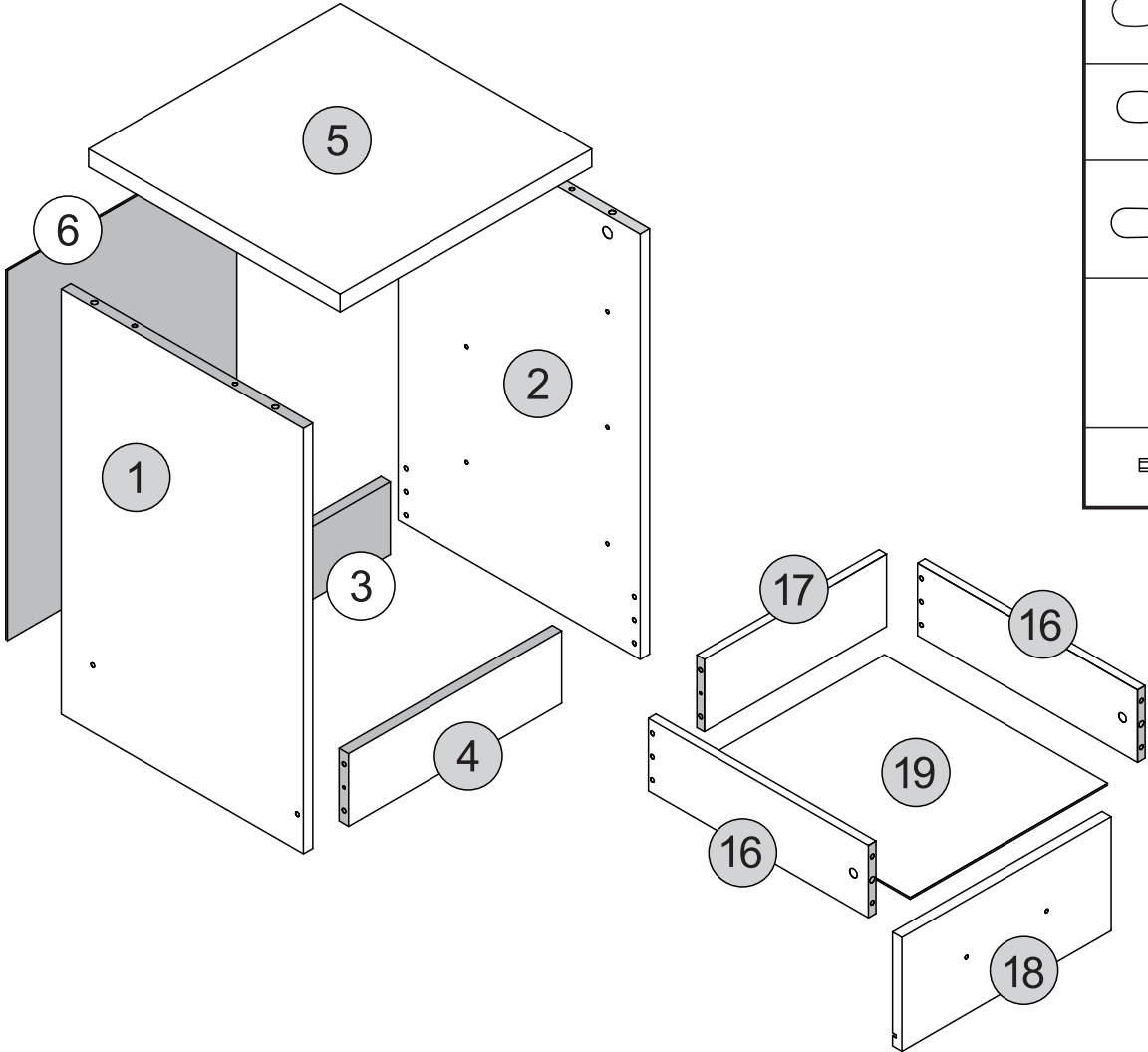
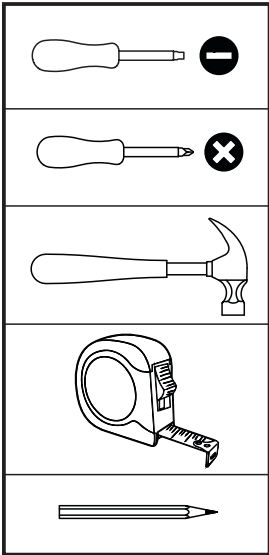
**PLEASE READ BEFORE YOU CONTINUE FURTHER**

## **CARE AND MAINTENANCE**

After unpacking this product please keep the original packaging in case it needs to be returned for any reason.

- Please ensure all fittings and parts are present before commencing with assembly.
- Never drag or push products as this could cause damage to the joints making it inferior.
- We strongly recommend that you keep children away from your work area.
- We recommend that you lay a blanket or sheet on the floor to avoid damage to both your floor and the product.
- Assemble this product as close to its final position as possible.
- Do not place this product next to a radiator or in direct sunlight.
- Do not drag or push items across your high gloss furniture as this may cause the surface to scratch
- Wood is a natural product and may expand if subjected to damp and may shrink or crack if subjected to heat. Therefore it is recommended that room temperature is maintained, with no sudden temperature fluctuations.
- Make sure any spillage is wiped off immediately.
- Do not place hot or chilled items directly on to the surface, use a place mat or marking will occur.
- For general cleaning use a soft cotton or micro fibre cloth, and do not use detergents of any kind.
- From time to time it may be necessary to tighten fittings, regular inspections should be carried out.
- Do not place on a wet or damp floor as staining may occur to your floor.

TOOLS REQUIRED


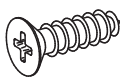
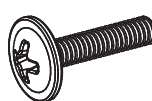
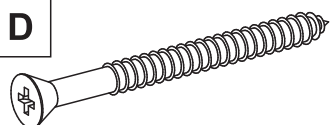
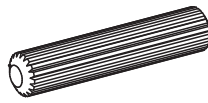
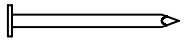
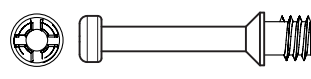





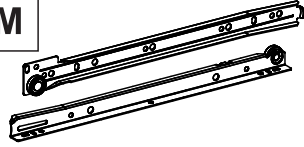
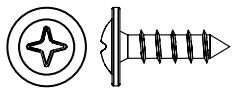


**PARTS LIST**

**Please Note:**  
The below parts have all been stamped with the part number to help identify them during assembly.

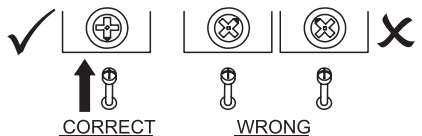
| <b>Part Number</b> | <b>Part Description</b> | <b>Quantity</b> | <b>Carton</b> |
|--------------------|-------------------------|-----------------|---------------|
| 1                  | Left Side Panel         | 1               | 1/1           |
| 2                  | Right Side Panel        | 1               | 1/1           |
| 3                  | Back Baseboard          | 1               | 1/1           |
| 4                  | Front Baseboard         | 1               | 1/1           |
| 5                  | Top Panel               | 1               | 1/1           |
| 6                  | Back Panel              | 1               | 1/1           |
| 16                 | Drawer Side             | 6               | 1/1           |
| 17                 | Drawer Back Panel       | 3               | 1/1           |
| 18                 | Drawer Front            | 3               | 1/1           |
| 19                 | Drawer Bottom           | 3               | 1/1           |






# FITTINGS LIST




|  |   |   |   |
|--|---|---|---|
| <p><b>A</b></p>  <p>Flat Head Screw<br/>Ø6,0 x 8mm (12x)</p> <p>2/+</p> | <p><b>B</b></p>  <p>Flat Head Screw<br/>Ø4,0 x 14mm (18x)</p> <p>2/+</p> | <p><b>C</b></p>  <p>Flan Head Screw<br/>Ø4,0 x 20mm (6x)</p> <p>1/+</p> | <p><b>D</b></p>  <p>Flat Head Screw<br/>Ø4,0 x 45mm (10x)</p> <p>1/+</p> |
| <p><b>E</b></p>  <p>Dowel Ø6,0 x 30mm (36x)</p> <p>2/+</p>              | <p><b>F</b></p>  <p>Nail 10 x 10 (40x)</p> <p>5/+</p>                    | <p><b>G</b></p>  <p>Cam Bolt (10x)</p> <p>1/+</p>                       | <p><b>H</b></p>  <p>Cam Nut Ø12mm (10x)</p> <p>1/+</p>                   |
| <p><b>I</b></p>  <p>Plastic Foot (4x)</p> <p>1/+</p>                    | <p><b>J</b></p>  <p>Hole Plugs (16x)</p> <p>2/+</p>                      | <p><b>K</b></p>  <p>GLUE</p> <p>Glue (2x)</p>                           | <p><b>L</b></p>  <p>Handle (3x)</p>                                      |
| <p><b>M</b></p>  <p>Drawer Runners (3x)</p>                              | <p><b>N</b></p>  <p>Flan Head Screw<br/>Ø3,5 x 12mm (2x)</p> <p>1/+</p>  |   |   |

## TIPS FOR FITTINGS CAM-LOCKS

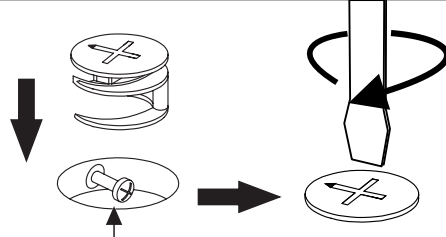
WHEN FITTING CAM NUT, ENSURE STARTING POSITION IS CORRECT BEFORE YOU INSERT CONNECTING CAM BOLT TURN CLOCKWISE UNTIL SECURE



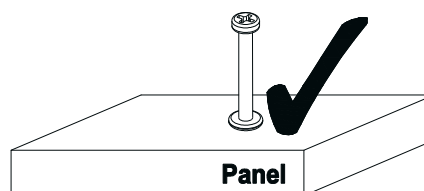
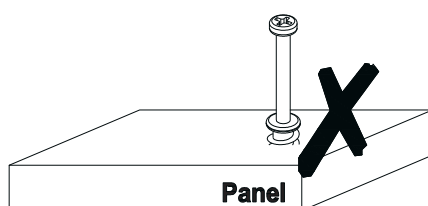
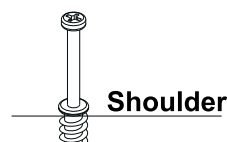
CORRECT      WRONG



Cam bolt head needs to be in centre

### CAMBOLT

Tighten until shoulder in flush with panel. Do not overtighten or undertighten (see example beside)

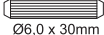


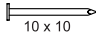
# STEP 1

## PARTS REQUIRED

1 - LEFT SIDE PANEL x1

## HARDWARE REQUIRED

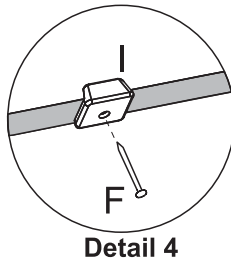
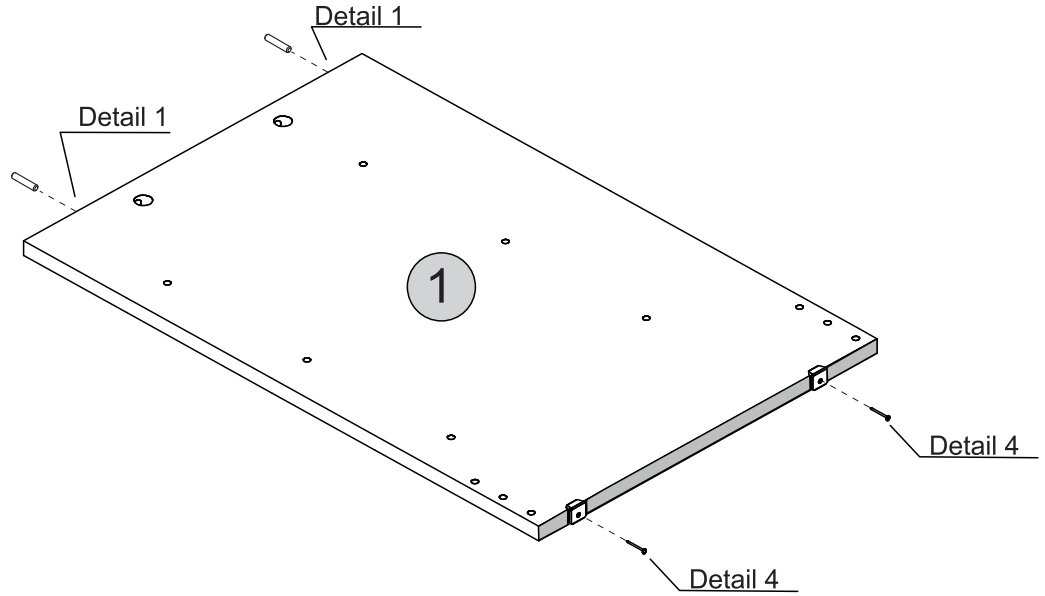
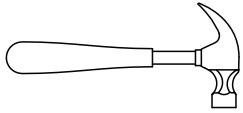
E  02  
Ø6,0 x 30mm

F  02  
10 x 10

I  02

K  01

## TOOLS REQUIRED




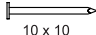
# STEP 2

## PARTS REQUIRED

2 - RIGHT SIDE PANEL x1

## HARDWARE REQUIRED

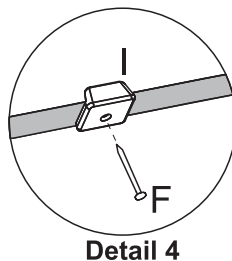
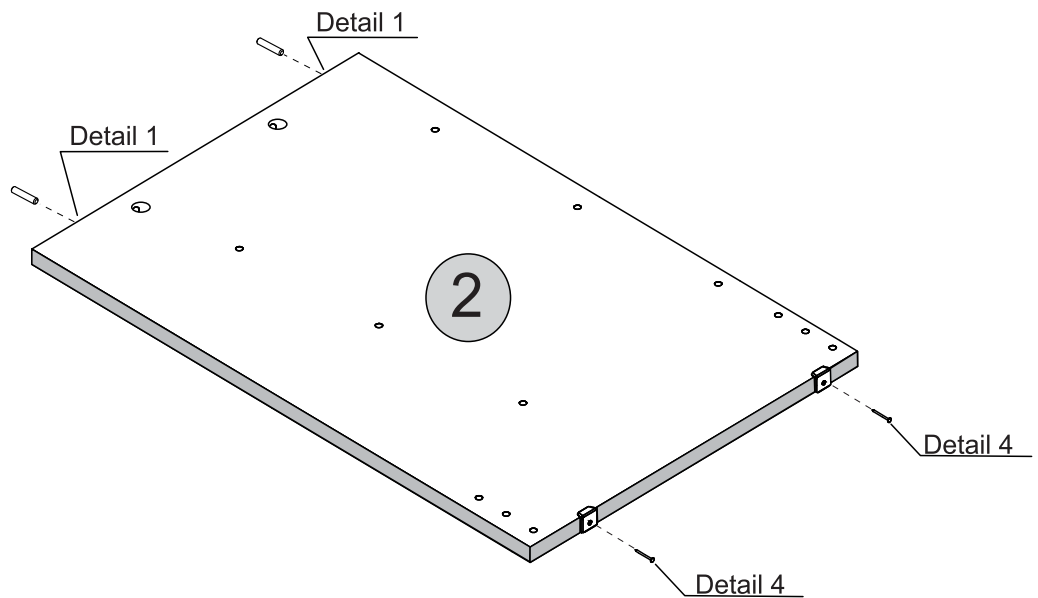
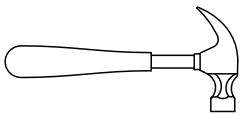
E  02  
Ø6,0 x 30mm

F  02  
10 x 10

I  02

K  01

## TOOLS REQUIRED





# STEP 3

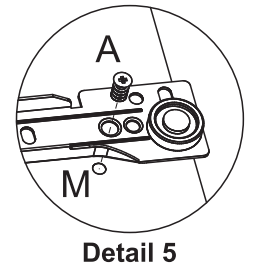
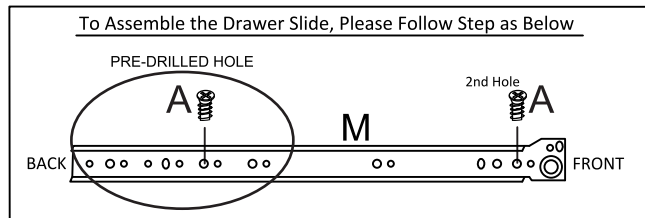
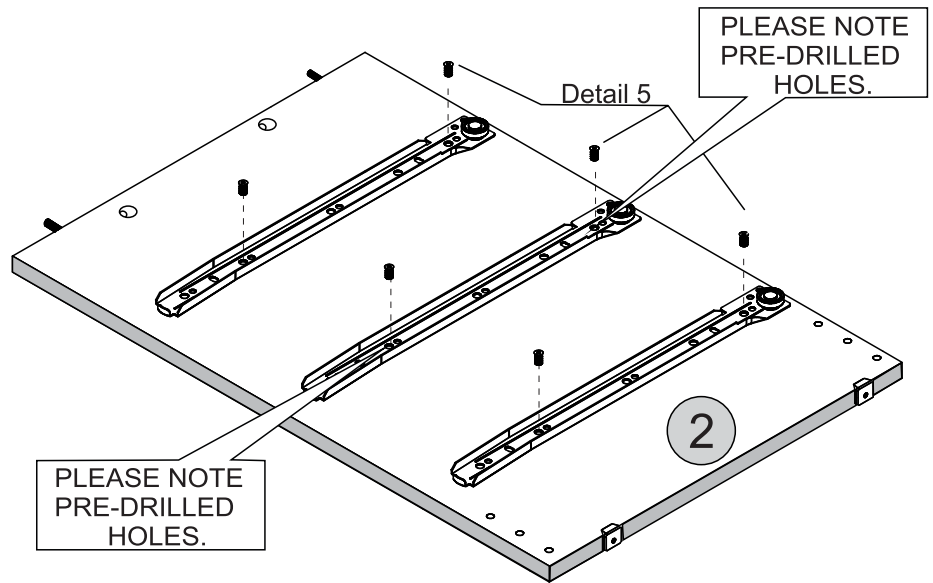
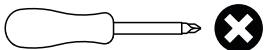
## PARTS REQUIRED

2 - RIGHT SIDE PANEL x1

## HARDWARE REQUIRED

- A  06  
Ø6,0 x 8mm
- M  03

## TOOLS REQUIRED





# STEP 4

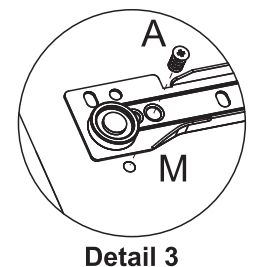
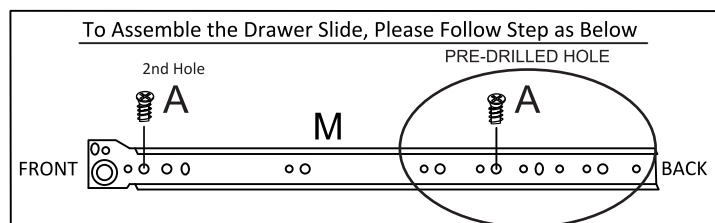
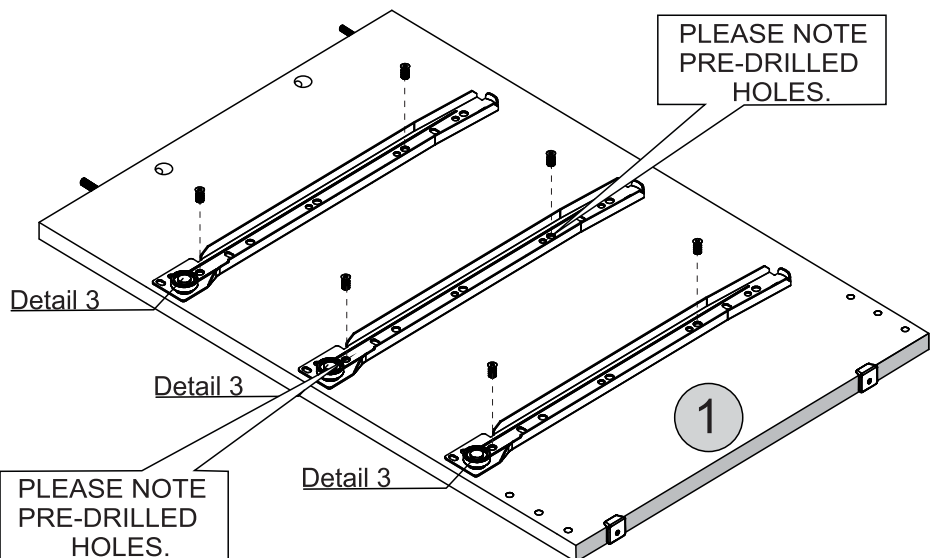
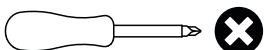
## PARTS REQUIRED

1 - LEFT SIDE PANEL x1

## HARDWARE REQUIRED

- A  06  
Ø6,0 x 8mm
- M  03

## TOOLS REQUIRED





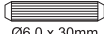
# STEP 5

## PARTS REQUIRED

3 - BACK BASEBOARD x1

4 - FRONT BASEBOARD x1

## HARDWARE REQUIRED

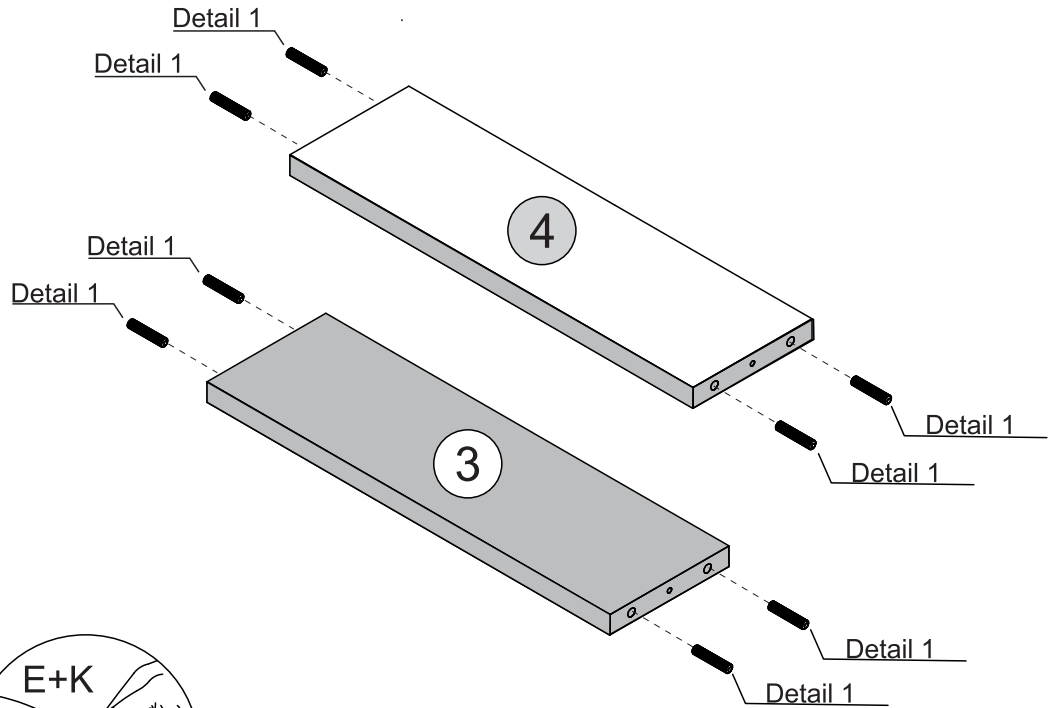
E  08  
Ø6.0 x 30mm

K  01

## TOOLS REQUIRED



Detail 1



# STEP 6


## PARTS REQUIRED

2 - RIGHT SIDE PANEL x1

3 - BACK BASEBOARD x1

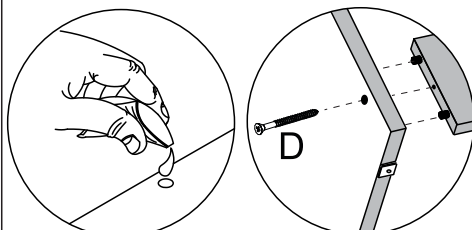
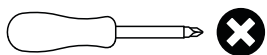
4 - FRONT BASEBOARD x1

## HARDWARE REQUIRED

D  02  
Ø4.0 x 45mm

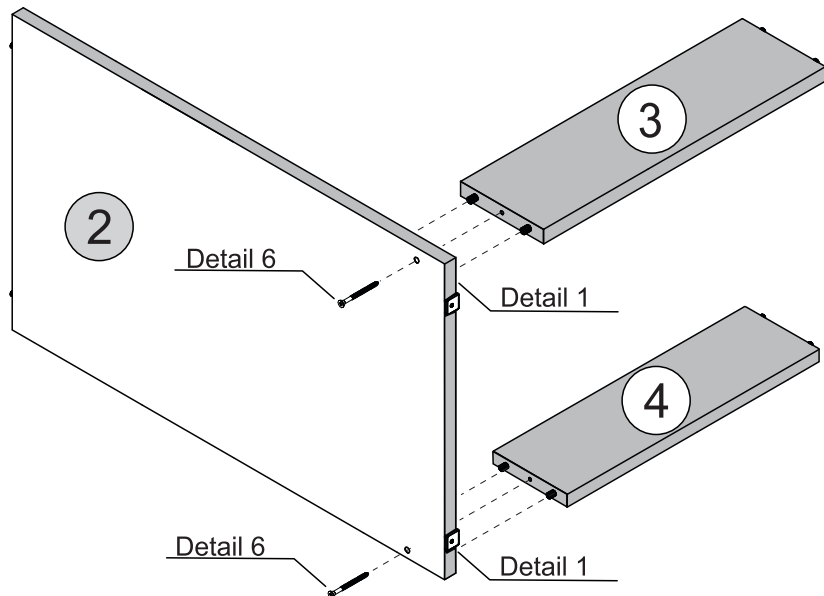
K  01

## TOOLS REQUIRED



Detail 1

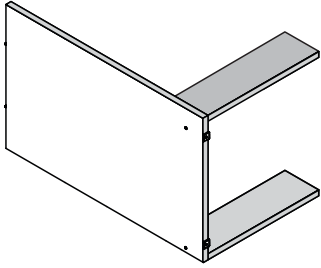
Detail 6




# STEP 7

## PARTS REQUIRED

1 - LEFT SIDE PANEL x1

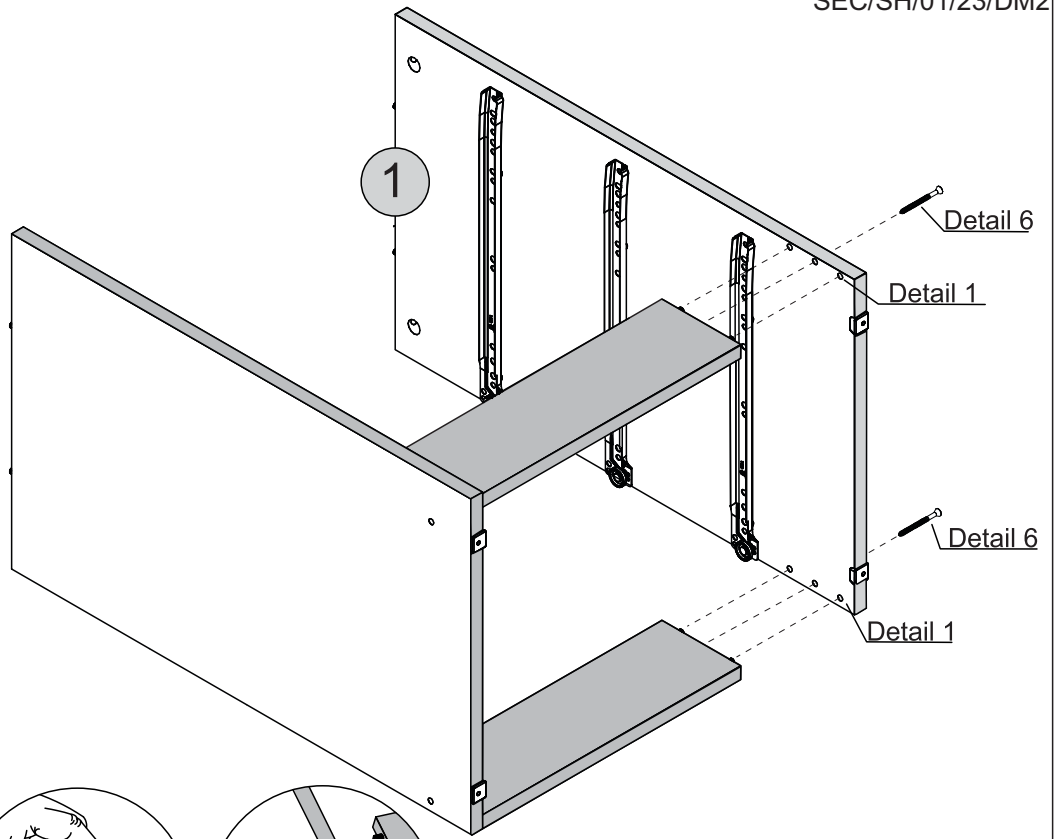
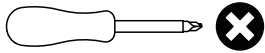


## HARDWARE REQUIRED

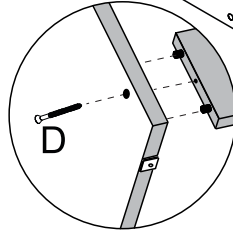
D  Ø4,0 x 45mm 02

K  GLUE 01

## TOOLS REQUIRED



Detail 1




Detail 6

# STEP 8

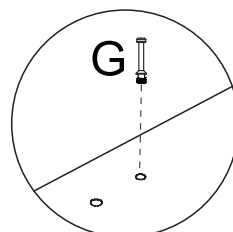
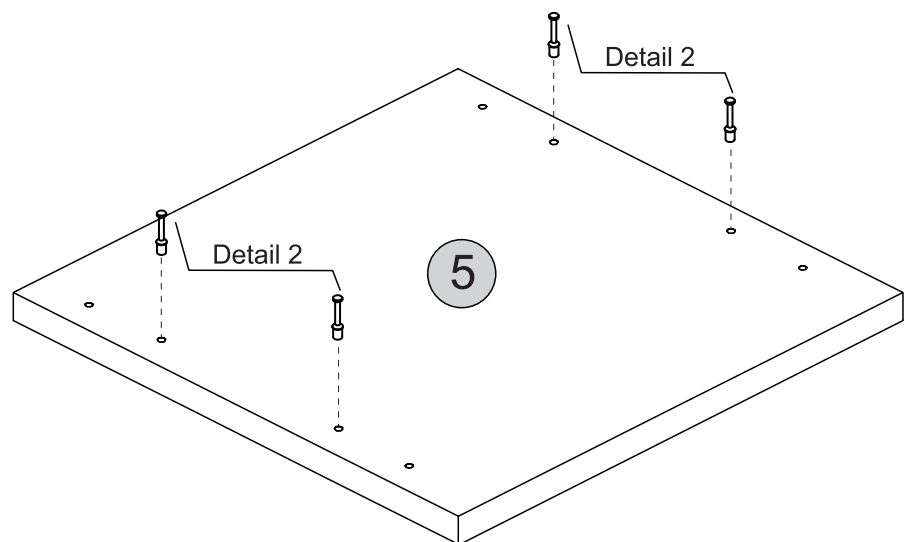
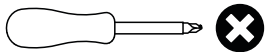
## PARTS REQUIRED

5 - TOP PANEL x1

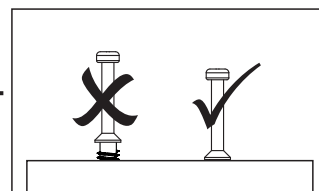
## HARDWARE REQUIRED

G  04

## TOOLS REQUIRED



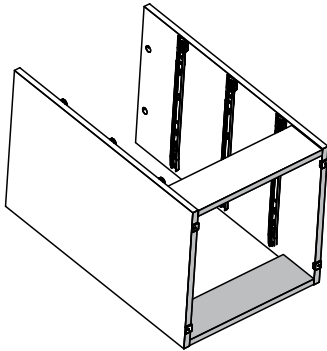
Detail 2



# STEP 9

## PARTS REQUIRED

5 - TOP PANEL x1

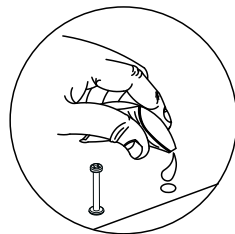
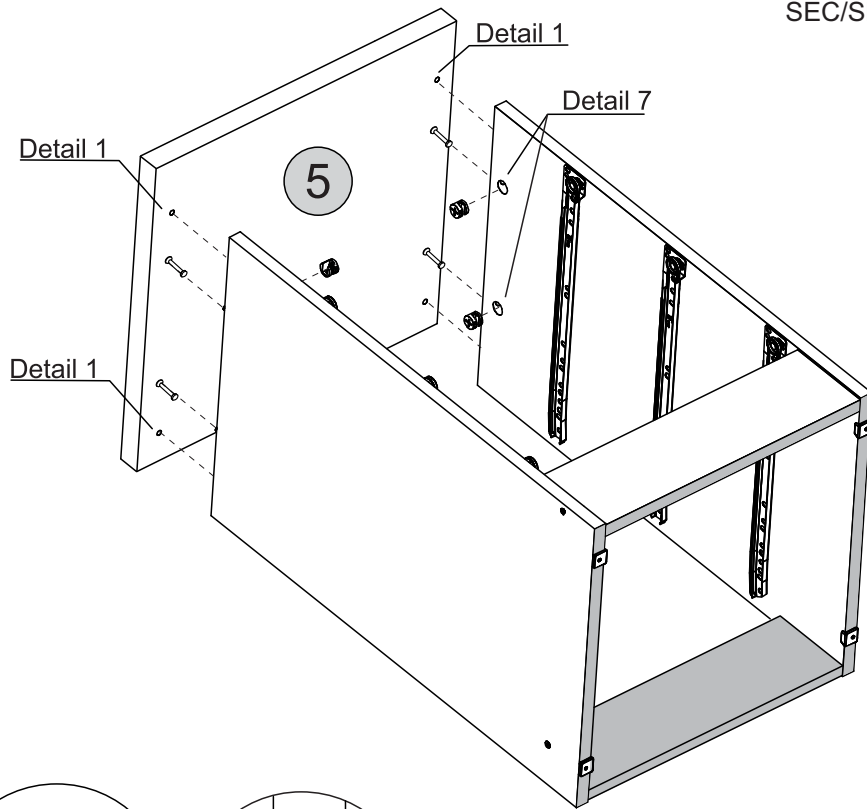
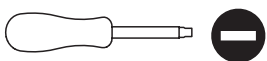


## HARDWARE REQUIRED

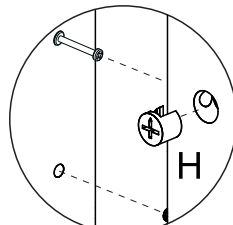
H  04

K  GLUE 01

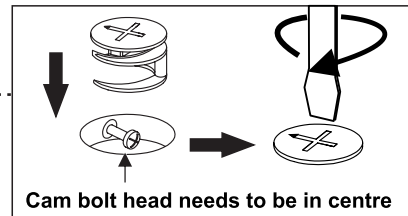
## TOOLS REQUIRED



Detail 1



Detail 7

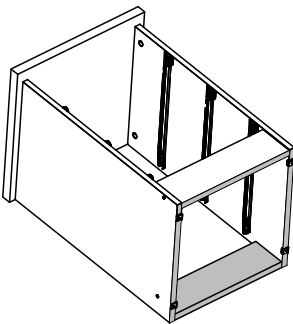


Cam bolt head needs to be in centre

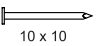
# STEP 10

## PARTS REQUIRED

6 - BACK PANEL x1

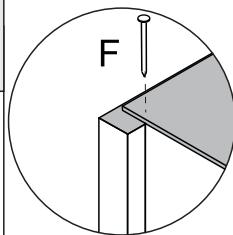
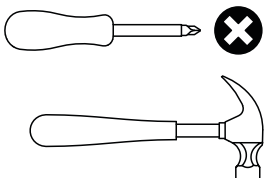


## HARDWARE REQUIRED

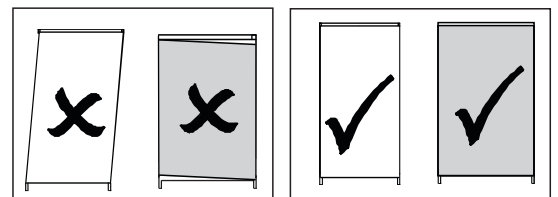
F  10 x 10 12

N  Ø3,5 x 12mm 02

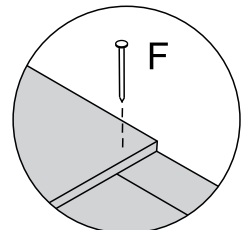
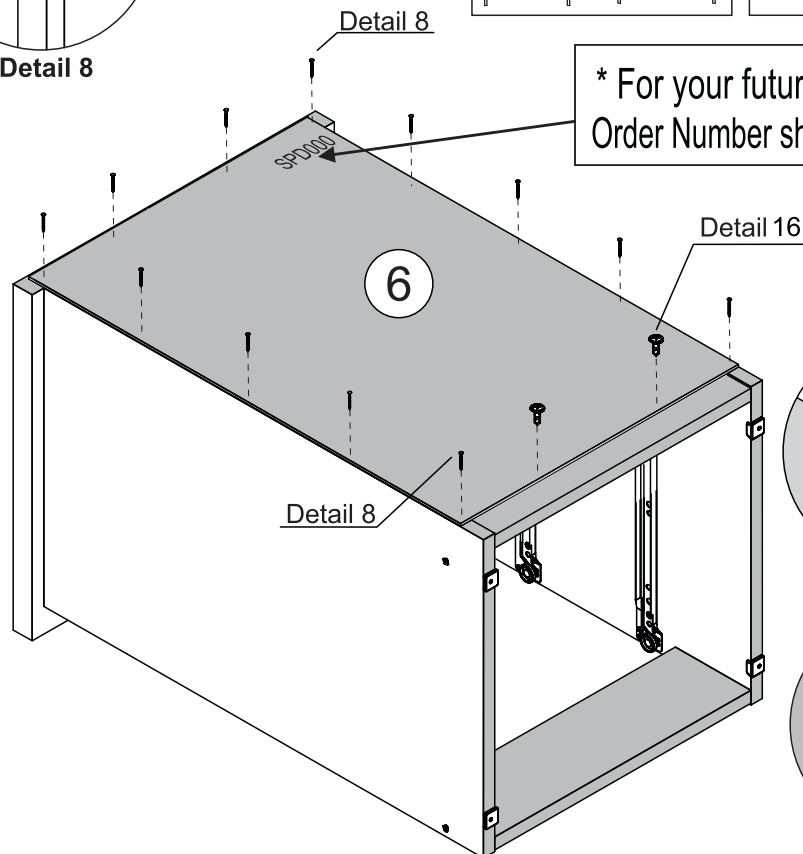
## TOOLS REQUIRED



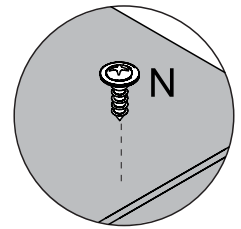
Detail 8



\* For your future reference  
Order Number should be here



Detail 8



Detail 16

# STEP 11

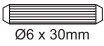
## PARTS REQUIRED


16 - DRAWER SIDE x6

17 - DRAWER BACK PANEL x3

18 - DRAWER FRONT x3

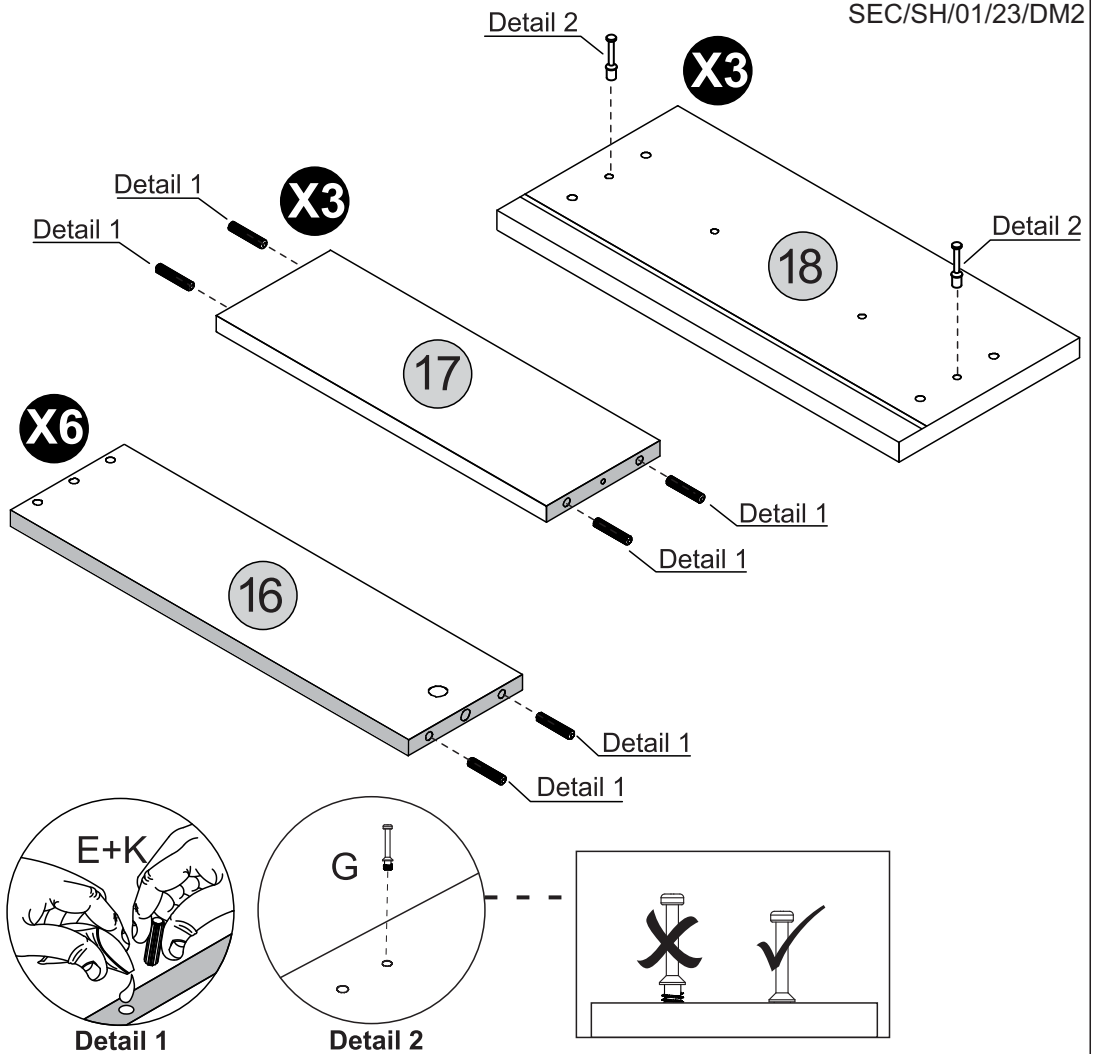
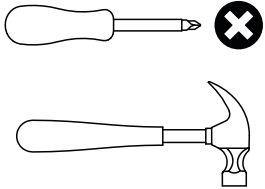
## HARDWARE REQUIRED

E  24  
Ø6 x 30mm

G  06

K  01

## TOOLS REQUIRED



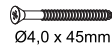
# STEP 12

## PARTS REQUIRED

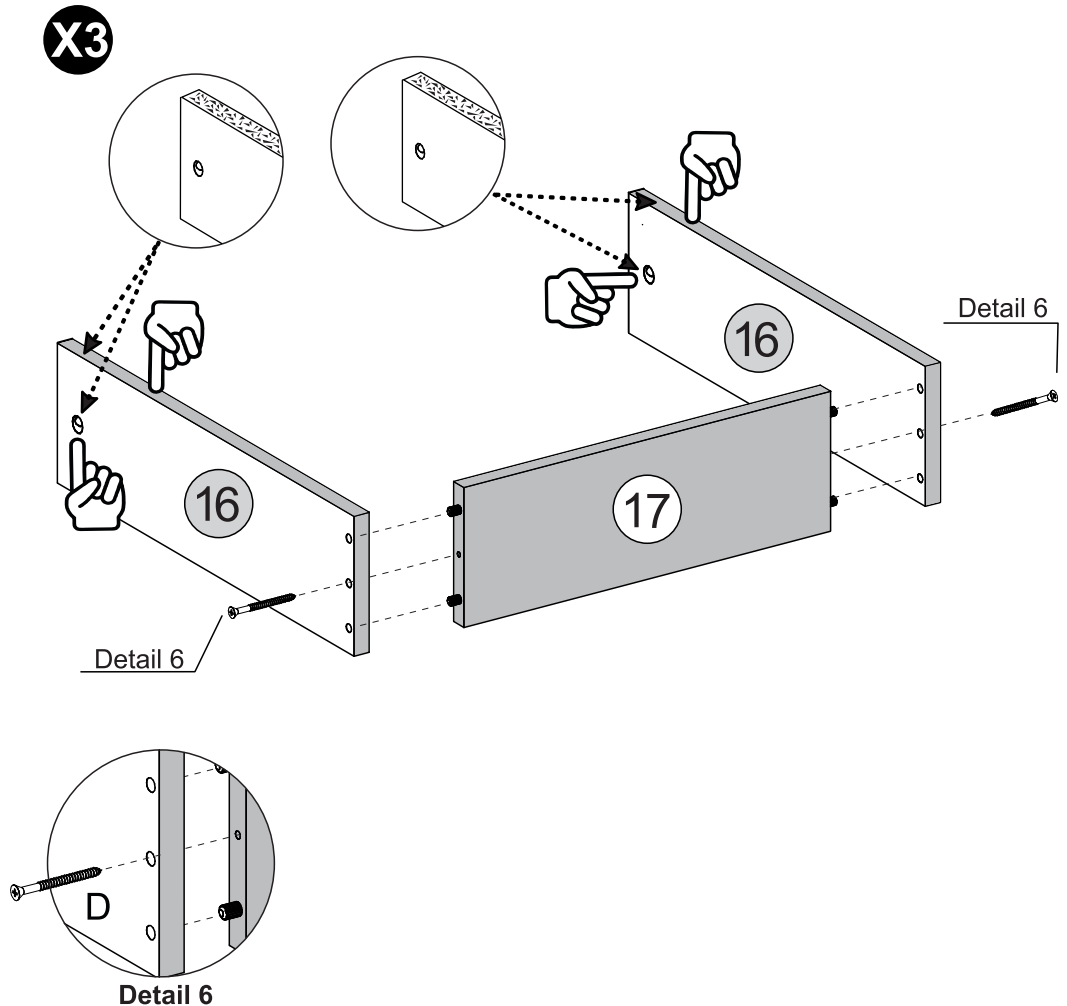
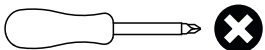
16 - DRAWER SIDE x6

17 - DRAWER BACK PANEL x3

## HARDWARE REQUIRED

D  06  
Ø4,0 x 45mm

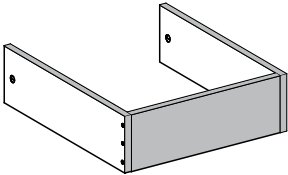
## TOOLS REQUIRED



# STEP 13

### PARTS REQUIRED

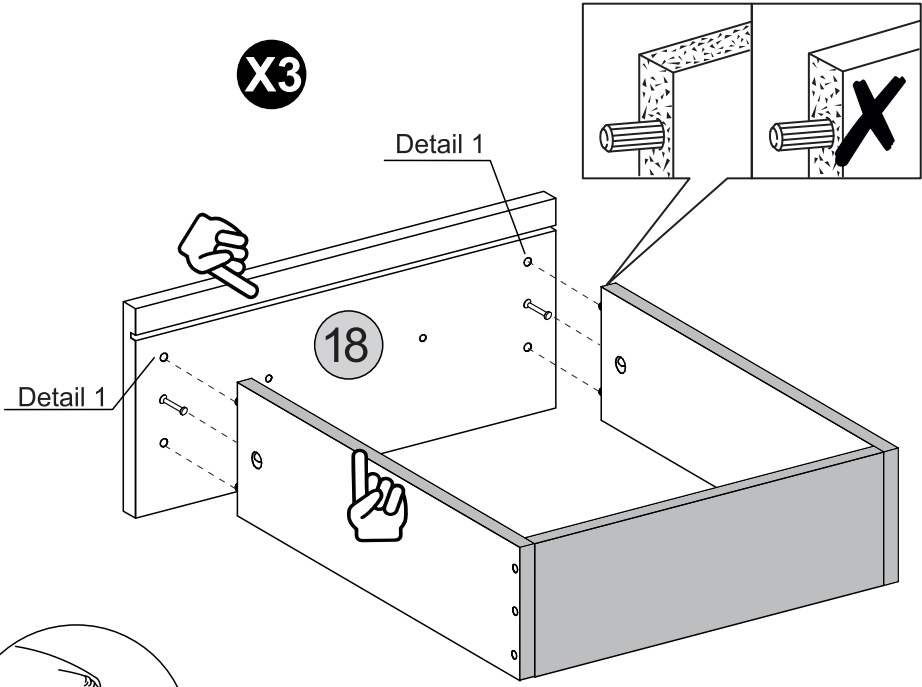
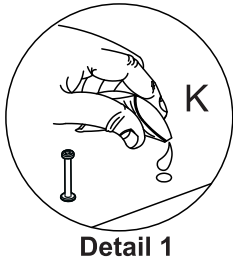
18 - DRAWER FRONT x3



### HARDWARE REQUIRED

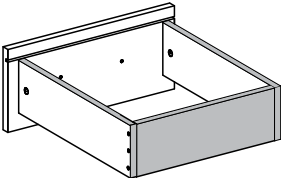
K  01

### TOOLS REQUIRED



# STEP 14

### PARTS REQUIRED

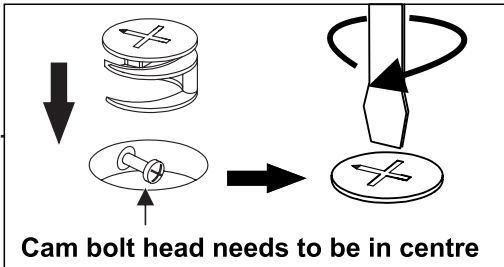
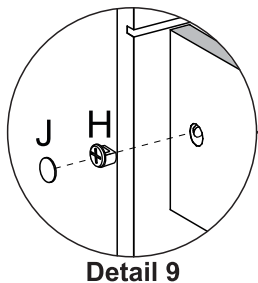
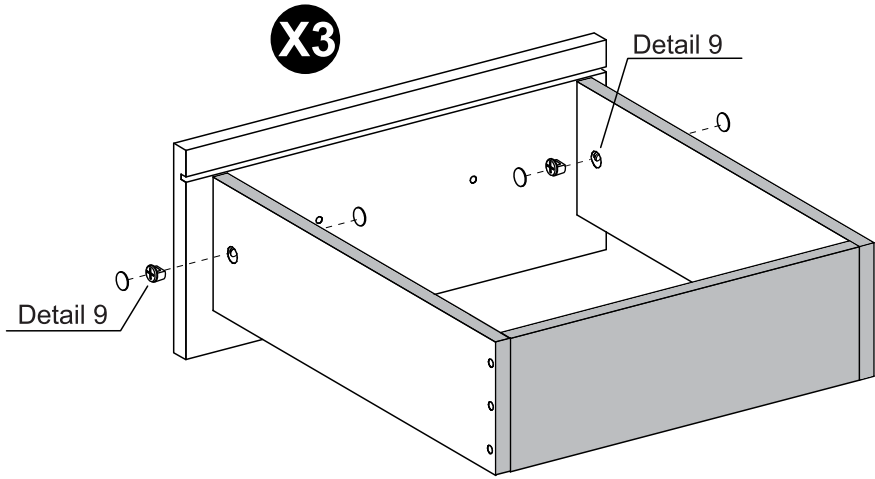
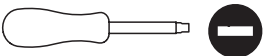


### HARDWARE REQUIRED

H  06

J  12

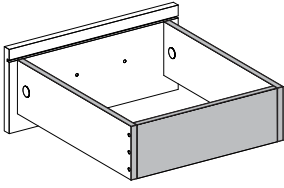
### TOOLS REQUIRED



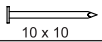
# STEP 15

## PARTS REQUIRED

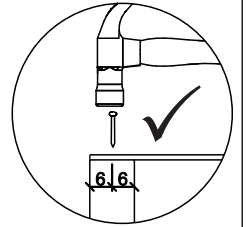
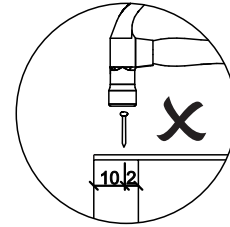
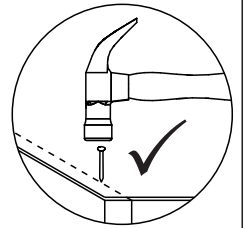
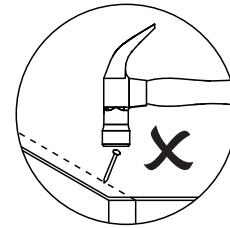
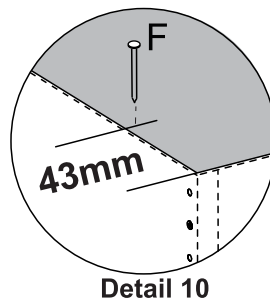
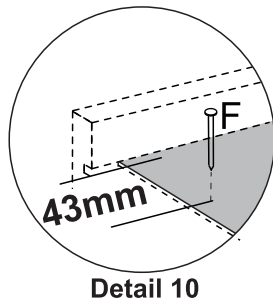
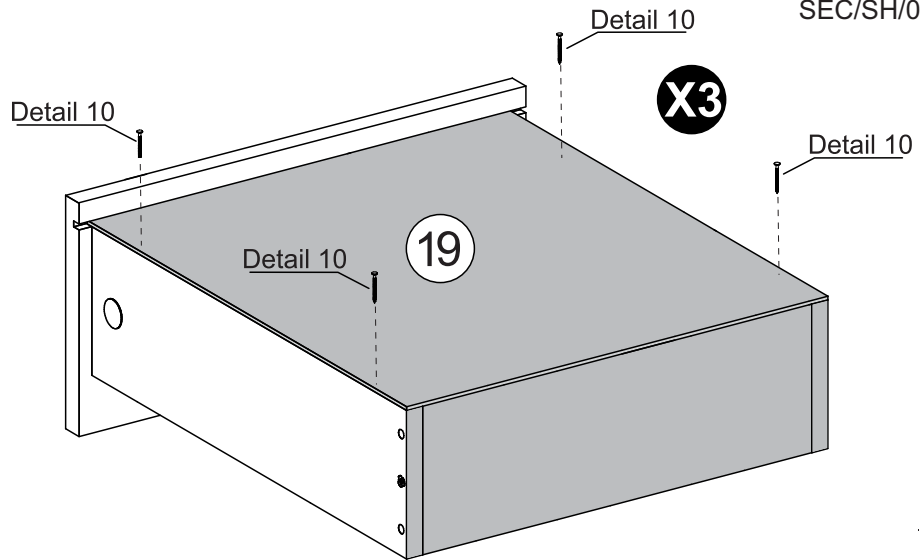
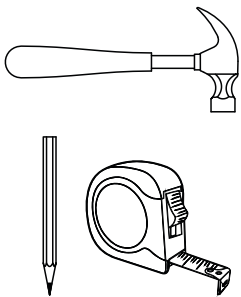
19 - DRAWER BOTTOM x3



## HARDWARE REQUIRED

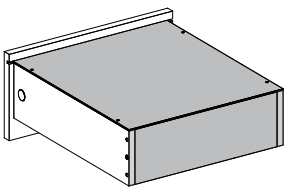
F  12  
10 x 10

## TOOLS REQUIRED

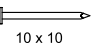


# STEP 16

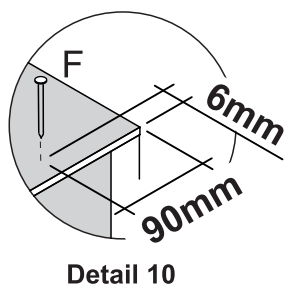
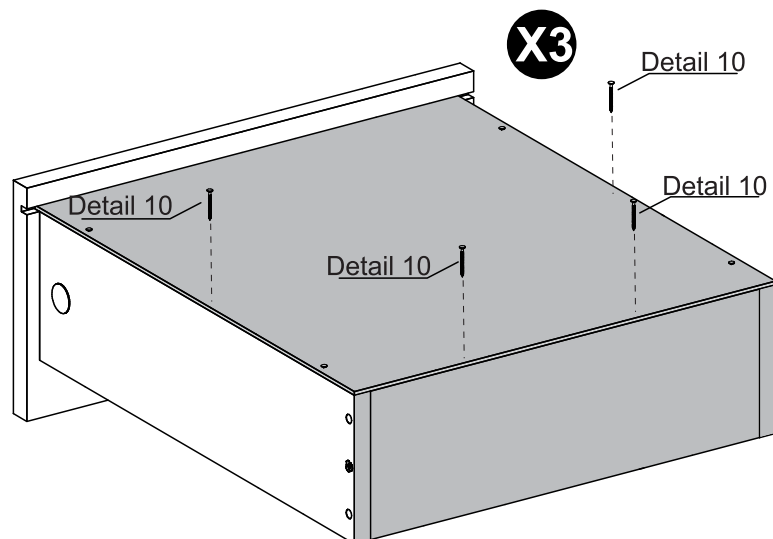
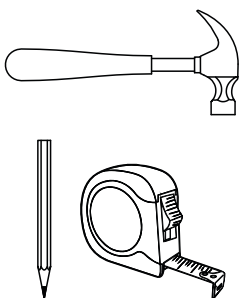
## PARTS REQUIRED



## HARDWARE REQUIRED

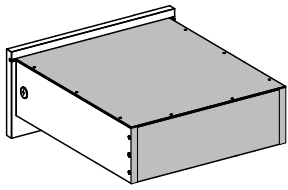
F  12  
10 x 10

## TOOLS REQUIRED

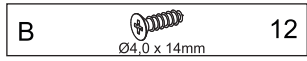


# STEP 17

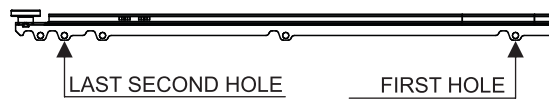
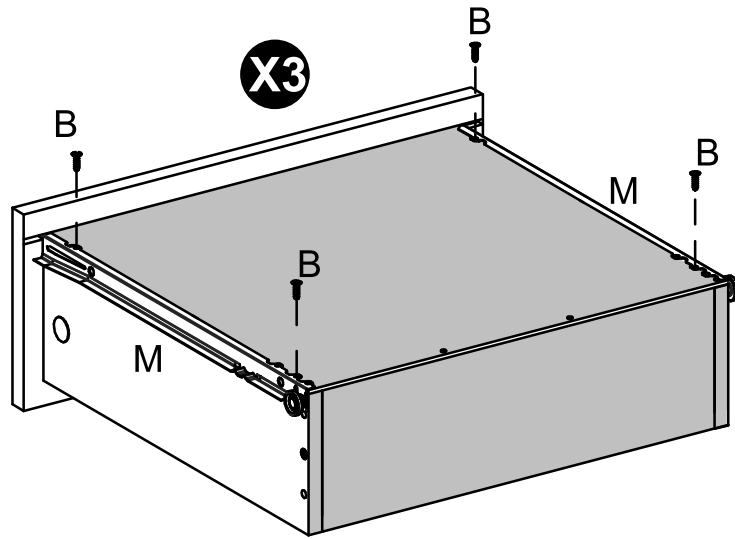
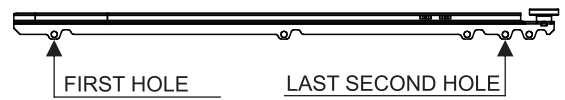
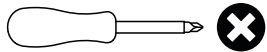
**PARTS REQUIRED**



**HARDWARE REQUIRED**

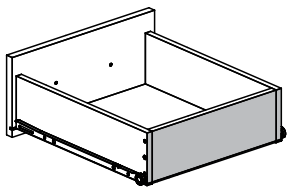


**TOOLS REQUIRED**

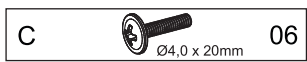


# STEP 18

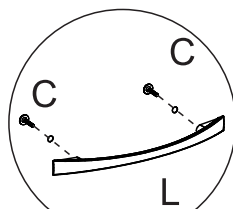
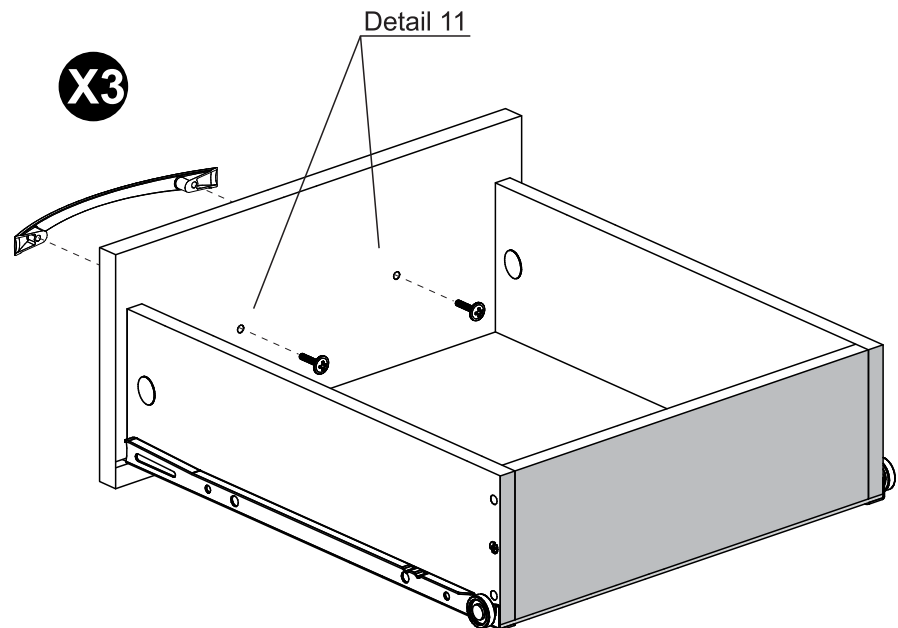
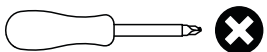
**PARTS REQUIRED**



**HARDWARE REQUIRED**



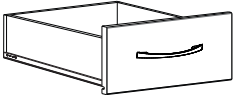
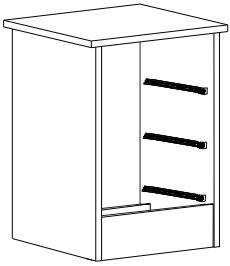
**TOOLS REQUIRED**



Detail 11

# STEP 19

### PARTS REQUIRED

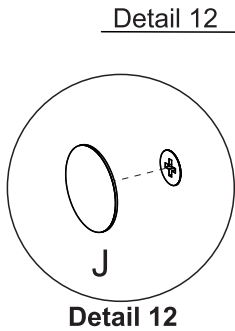
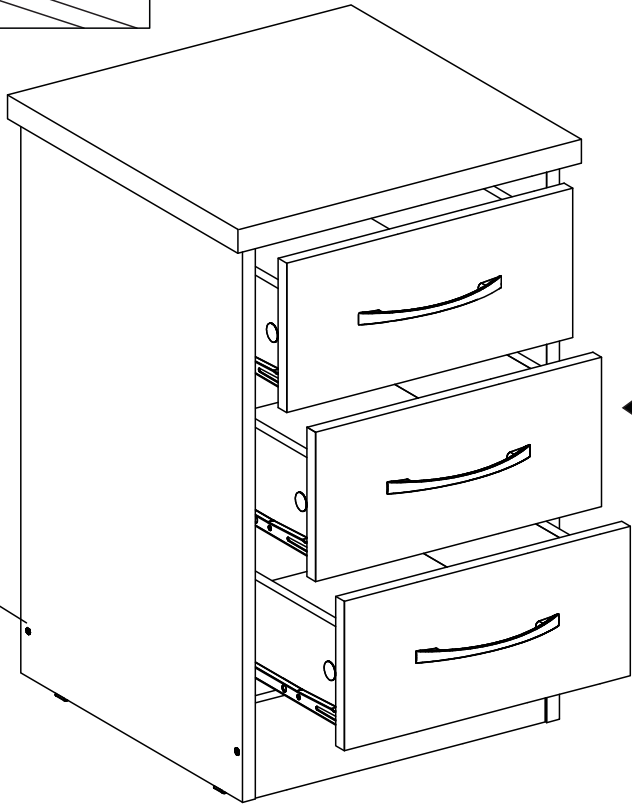


### HARDWARE REQUIRED



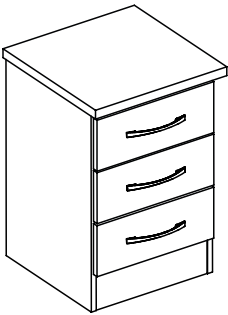
### TOOLS REQUIRED

**TIP**  
If desired, after assembly use an alcohol cleaner to erase the number printed on the parts.

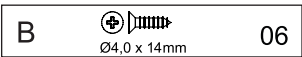


# STEP 20

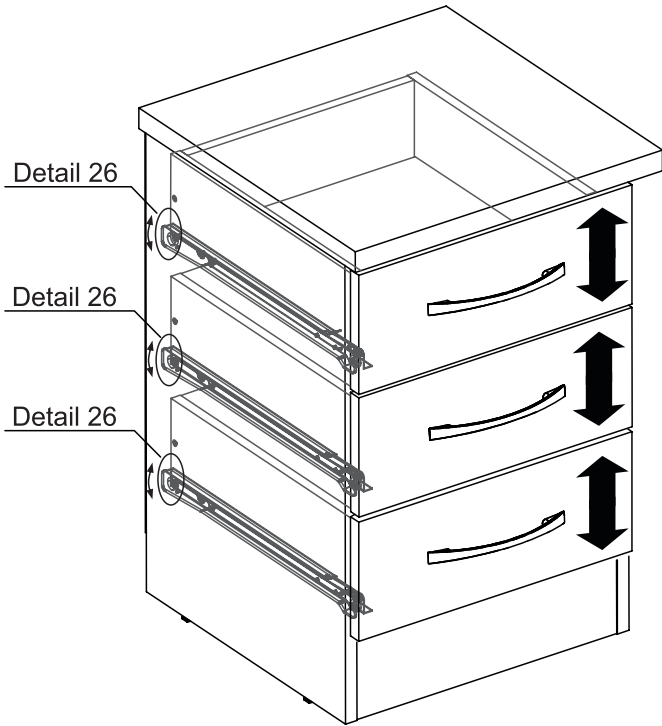
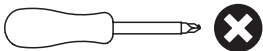
### PARTS REQUIRED



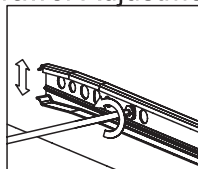
### HARDWARE REQUIRED



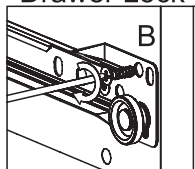
### TOOLS REQUIRED



### Drawer Adjustment



### Drawer Lock



Detail 26