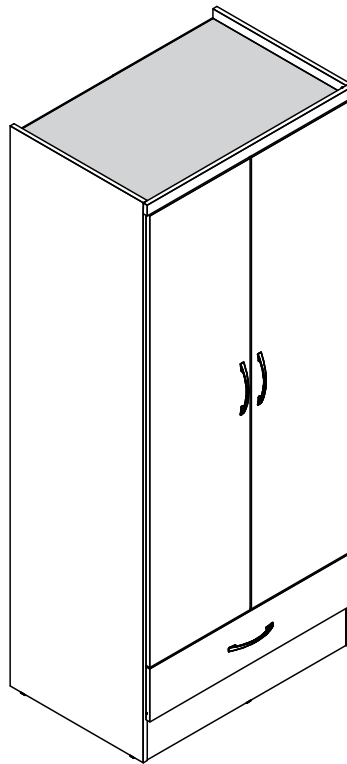


NEVADA 2 DOOR 1 DRAWER WARDROBE ASSEMBLY INSTRUCTIONS



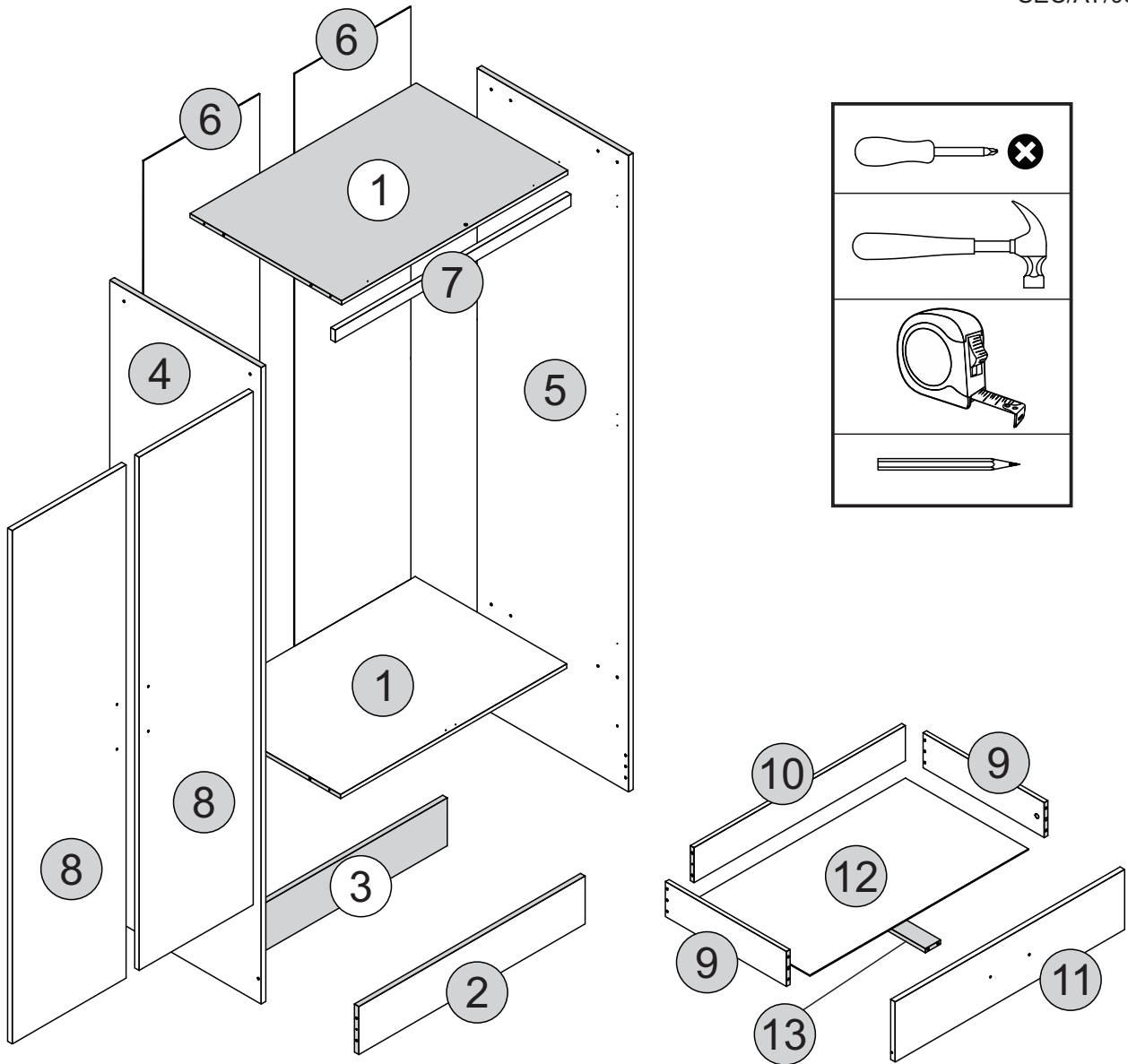
IMPORTANT FOR DOMESTIC USE ONLY

PLEASE READ BEFORE YOU CONTINUE FURTHER

CARE AND MAINTENANCE

After unpacking this product please keep the original packaging in case it needs to be returned for any reason.

- Please ensure all fittings and parts are present before commencing with assembly.
- Never drag or push products as this could cause damage to the joints making it inferior.
- We strongly recommend that you keep children away from your work area.
- We recommend that you lay a blanket or sheet on the floor to avoid damage to both your floor and the product.
- Assemble this product as close to its final position as possible.
- Do not place this product next to a radiator or in direct sunlight.
- Do not drag or push items across your high gloss furniture as this may cause the surface to scratch
- Wood is a natural product and may expand if subjected to damp and may shrink or crack if subjected to heat. Therefore it is recommended that room temperature is maintained, with no sudden temperature fluctuations.
- Make sure any spillage is wiped off immediately.
- Do not place hot or chilled items directly on to the surface, use a place mat or marking will occur.
- For general cleaning use a soft cotton or micro fibre cloth, and do not use detergents of any kind.
- From time to time it may be necessary to tighten fittings, regular inspections should be carried out.
- Do not place on a wet or damp floor as staining may occur to your floor.



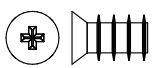
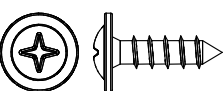
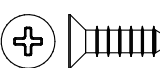
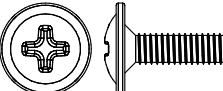


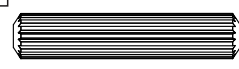


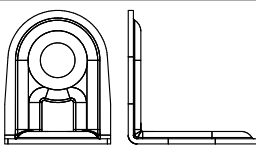
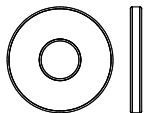
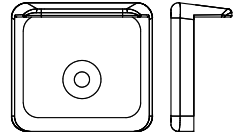
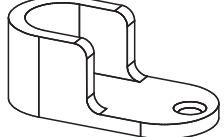
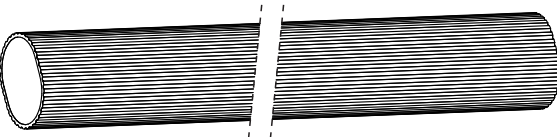
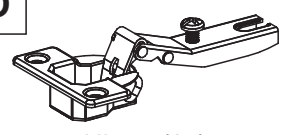
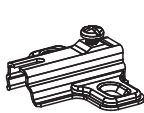
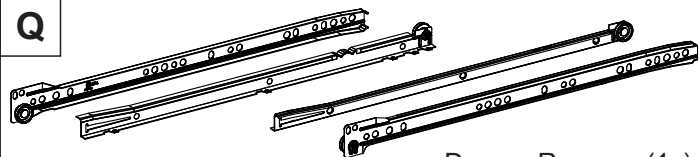
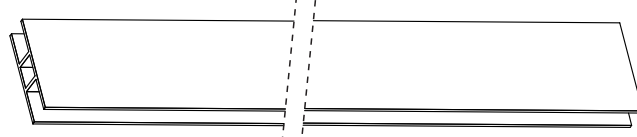



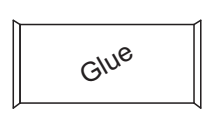
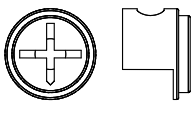
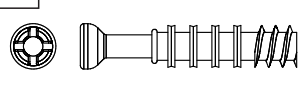
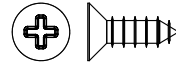
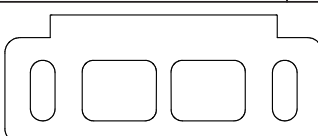
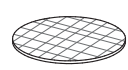
PARTS LIST

Please Note:
The below parts have all been stamped with the part number to help identify them during assembly.

Part Number	Part Description	Quantity	Carton
01	Base-Top Panel	2	1/2
02	Front Baseboard	1	2/2
03	Back Baseboard	1	2/2
04	Left Side Panel	1	1/2
05	Right Side Panel	1	1/2
06	Back Panel	2	1/2
07	Frame	1	2/2
08	Door	2	2/2
09	Drawer Side	2	1/2
10	Drawer Back Panel	1	2/2
11	Drawer Front	1	2/2
12	Drawer Bottom	1	1/2
13	Drawer Botom Support Bar	1	1/2

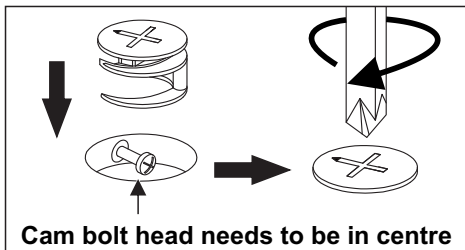
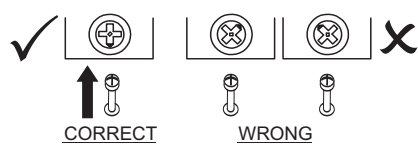
FITTINGS LIST

SEC/AY/06/21/CA7

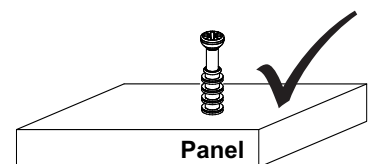
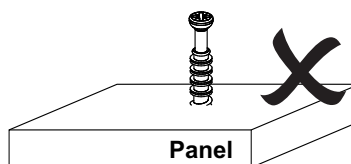
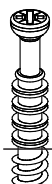
A  Flat Head Screw 1/+ Ø6,0 x 10mm (4x)	B  Flan Head Screw 1/+ Ø4,0 x 14mm (6x)	C  Flat Head Screw 2/+ Ø4,0 x 14mm (34x)	D  Flan Head Screw 1/+ Ø4,0 x 20mm (6x)
E  Flat Head Screw 1/+ Ø3,5 x 40mm (2x)	F  Flat Head Screw 2/+ Ø4,0 x 50mm (14x)	G  2/+ Dowel Ø6,0 x 30mm (26x)	
H  2/+ Nail 10 x 10 (58x)	I  1/+ Flan Head Screw Ø3,5 x 30mm (2x)	J  1/+ 'L' Metallic Support (4x)	K  1/+ Washer (4x)
L  1/+ Plastic Foot (6x)	M  Hanging Rail Support (2x)	N  Hanging Rail (1x)	
O  Hinge (6x)	P  Hinge Plate (6x)	Q  Drawer Runners (1x)	
R  Back Panel Strip (1x)	S  Strap (2x)	T  Handle (3x)	
U  2/+ Hole Plugs (12x)	V  Glue (1x)	W  1/+ Cam Nut (2x)	X  1/+ Cam Bolt (2x)
Y  Flat Head Screw 2/+ Ø4,0 x 12mm (12x)	Z  Door Support (2x)	A1  2/+ Hole Plugs (2x)	

TIPS FOR FITTINGS CAM-LOCKS

WHEN FITTING CAM NUT. ENSURE STARTING POSITION IS CORRECT BEFORE YOU INSERT CONNECTING CAM BOLT TURN CLOCKWISE UNTIL SECURE



CAMBOLT
 Tighten until shoulder in flush with panel. Do not overtighten or undertighten (see example beside)



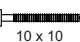
STEP 1

PARTS REQUIRED

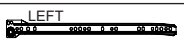
4 - LEFT SIDE PANEL x1

HARDWARE REQUIRED

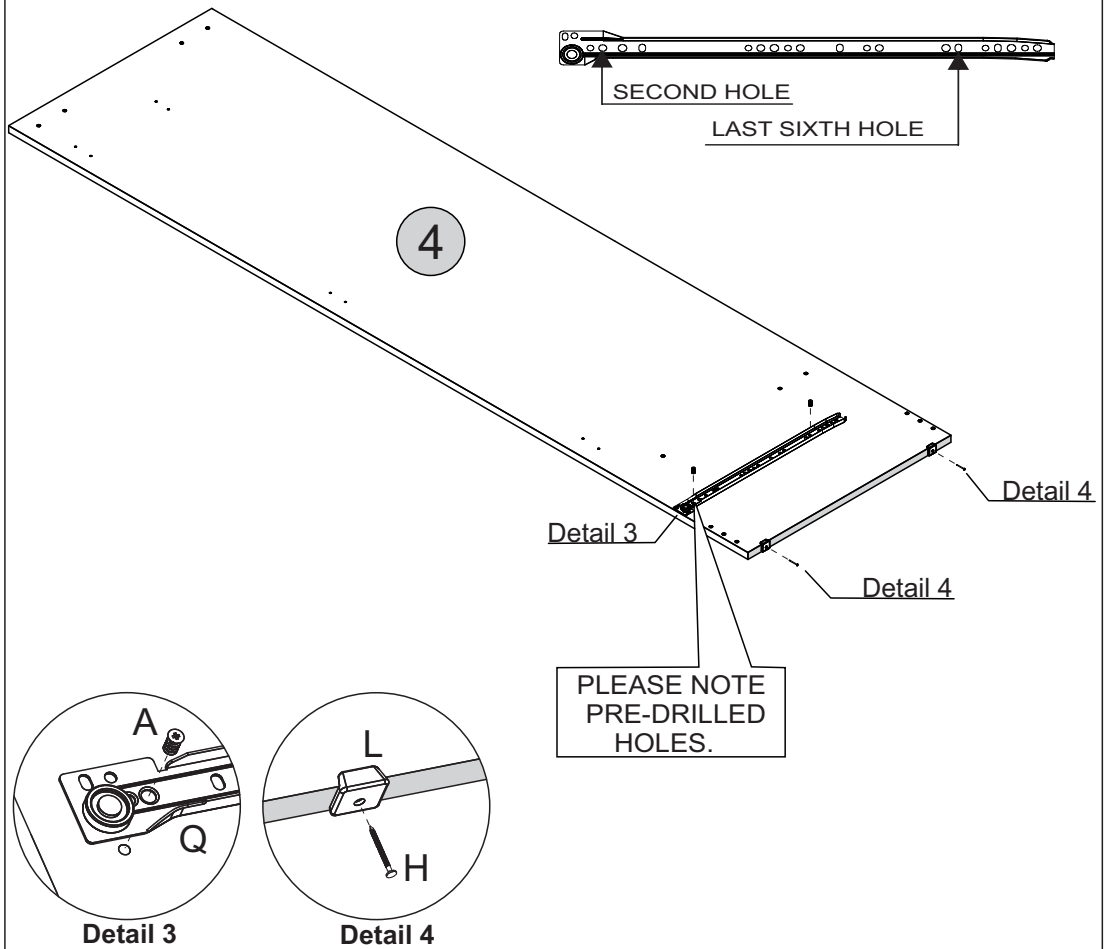
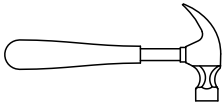
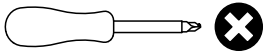
A  02
Ø6,0 x 10mm

H  02
10 x 10

L  02

Q  01
LEFT

TOOLS REQUIRED




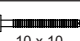
STEP 2

PARTS REQUIRED


4 - RIGHT SIDE PANEL x1

HARDWARE REQUIRED

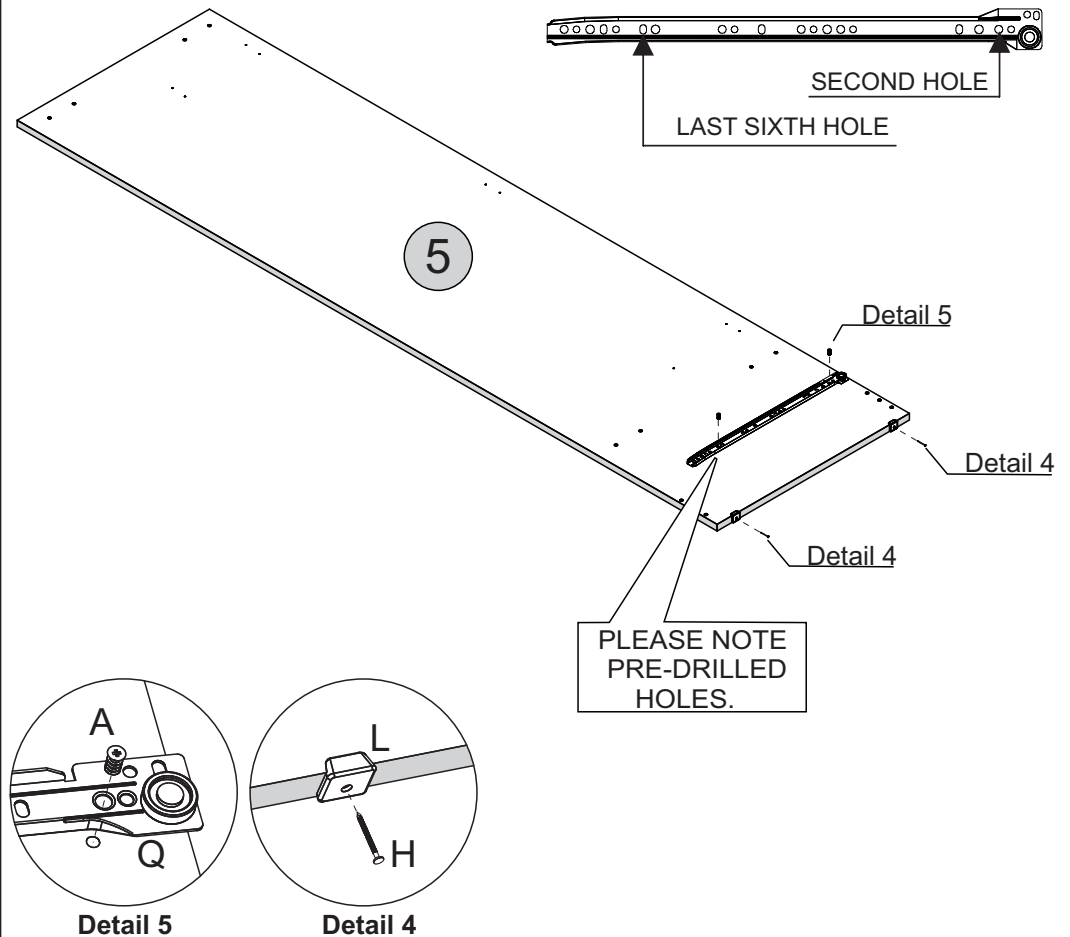
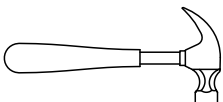
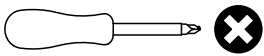
A  02
Ø6,0 x 10mm

H  02
10 x 10

L  02

Q  01
RIGHT

TOOLS REQUIRED

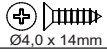


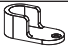
STEP 3

PARTS REQUIRED

4 - LEFT SIDE PANEL x1

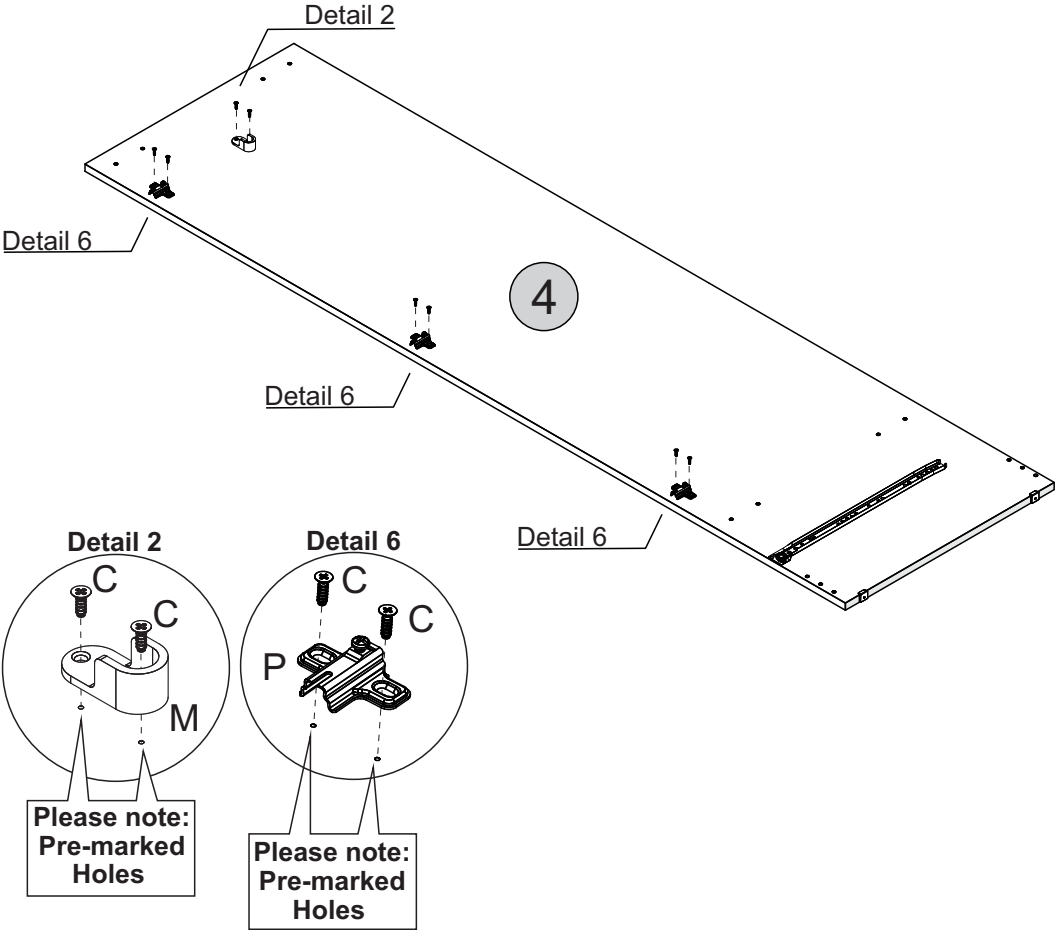
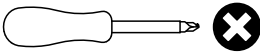
HARDWARE REQUIRED

C  08
Ø4,0 x 14mm

M  01

P  03

TOOLS REQUIRED

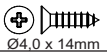


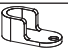
STEP 4

PARTS REQUIRED

4 - RIGHT SIDE PANEL x1

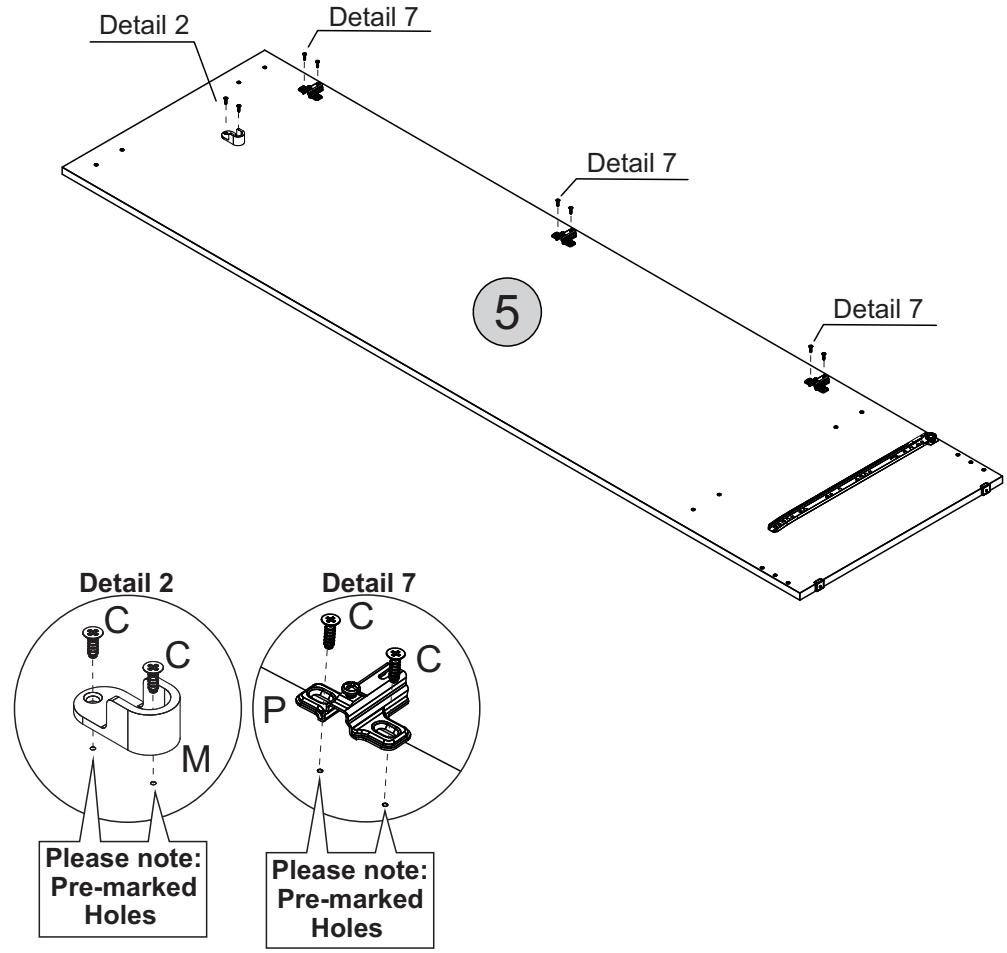
HARDWARE REQUIRED

C  08
Ø4,0 x 14mm

M  01

P  03

TOOLS REQUIRED




STEP 5

PARTS REQUIRED

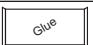
1A - TOP PANEL x1

1B - BASE PANEL x1

HARDWARE REQUIRED

G  08
Ø6,0 x 30mm

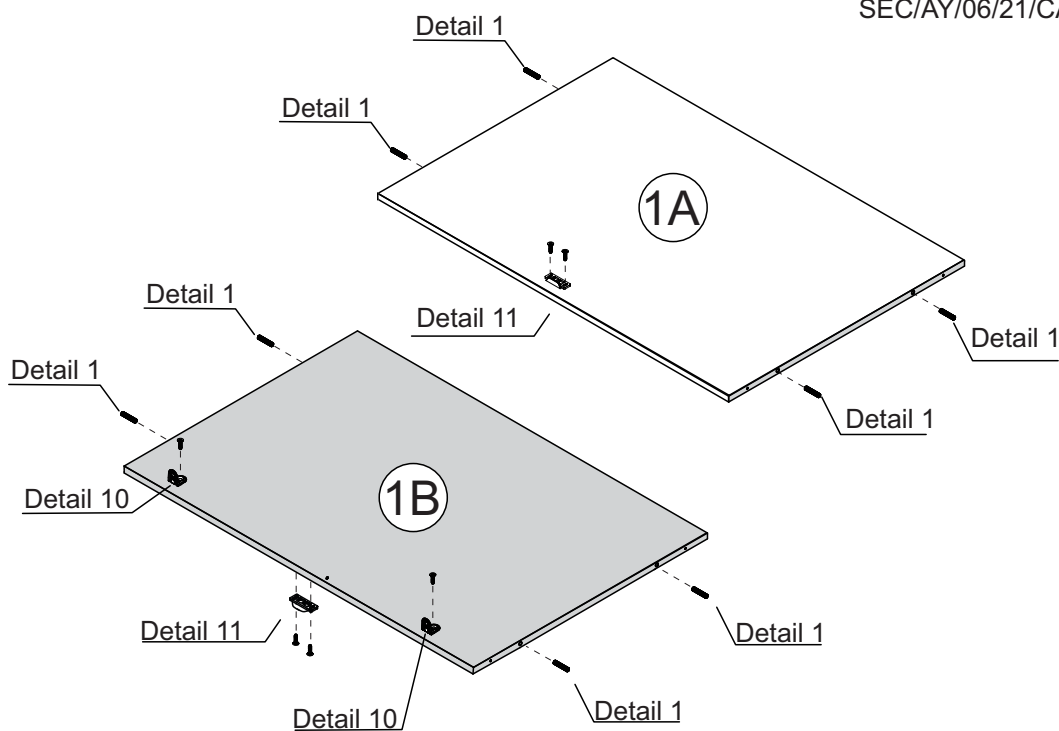
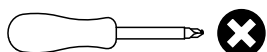
J  02

V  01

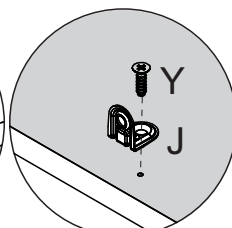
Y  06
Ø4,0 x 12mm

Z  02

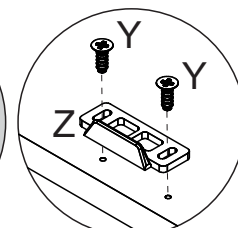
TOOLS REQUIRED



Detail 1



Detail 10



Detail 11


STEP 6


PARTS REQUIRED

2 - FRONT BASEBOARD x1


3 - BACK BASEBOARD x1

HARDWARE REQUIRED

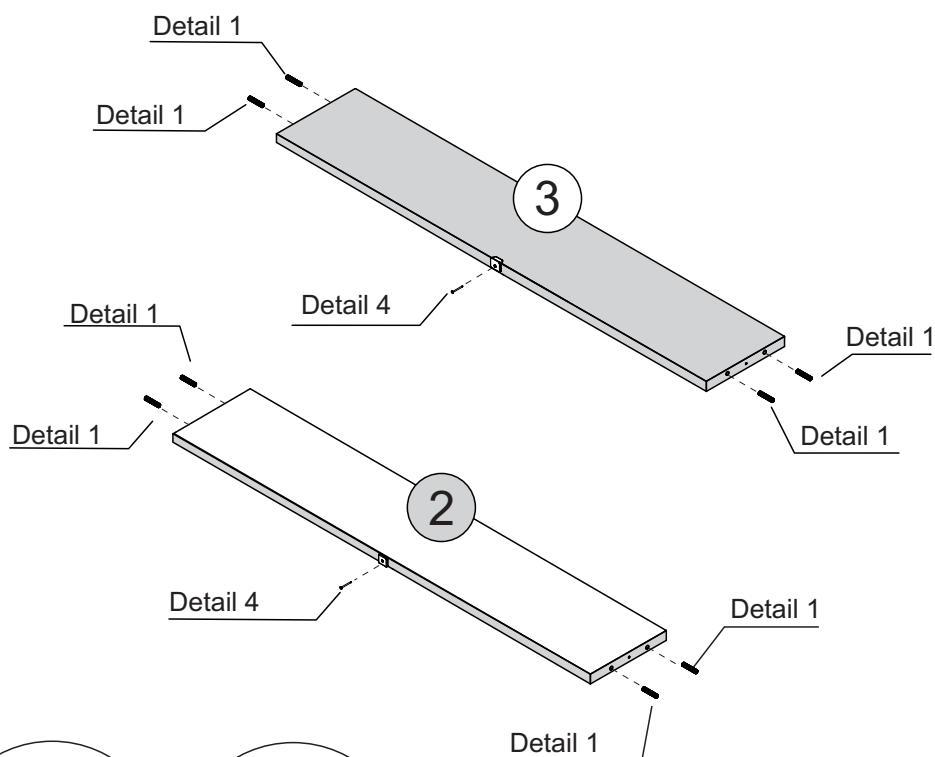
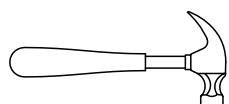
G  08
Ø6,0 x 30mm

H  02
10 x 10

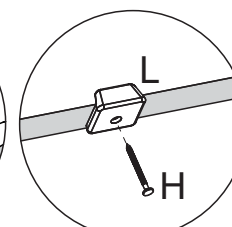
L  02

V  01

TOOLS REQUIRED



Detail 1



Detail 4

STEP 7


PARTS REQUIRED


1A - BASE PANEL x1

1B - TOP PANEL x1

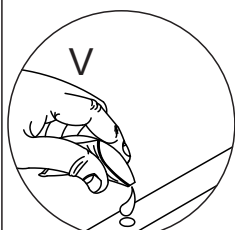
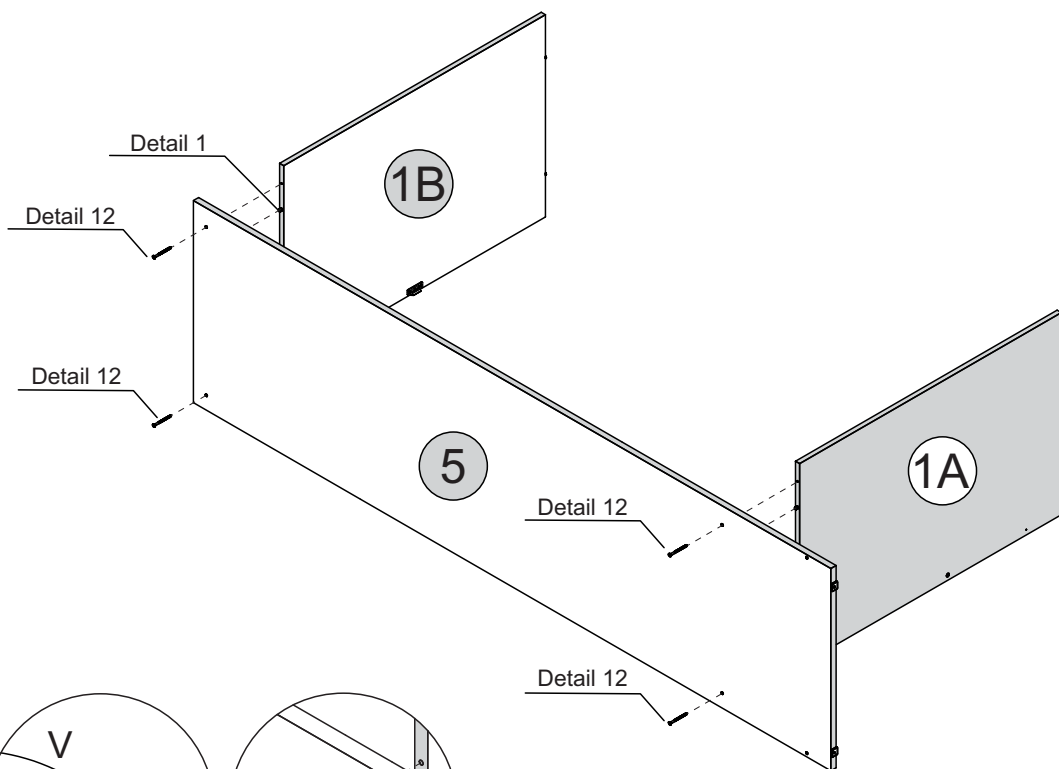
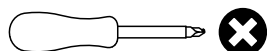
5 - RIGHT SIDE PANEL x1

HARDWARE REQUIRED

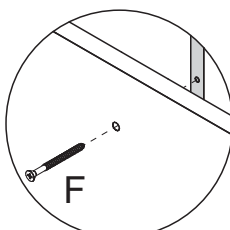
F  04
Ø4,0 x 50mm

V  01

TOOLS REQUIRED



Detail 1



Detail 12

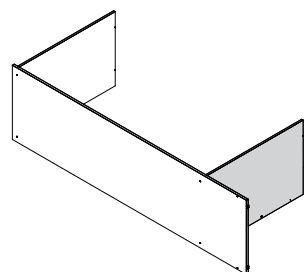
STEP 8

PARTS REQUIRED


2 - FRONT BASEBOARD x1

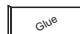
3 - BACK BASEBOARD x1

4 - LEFT SIDE PANEL x1

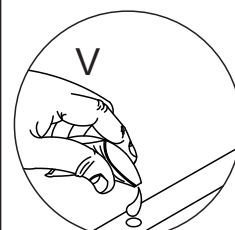
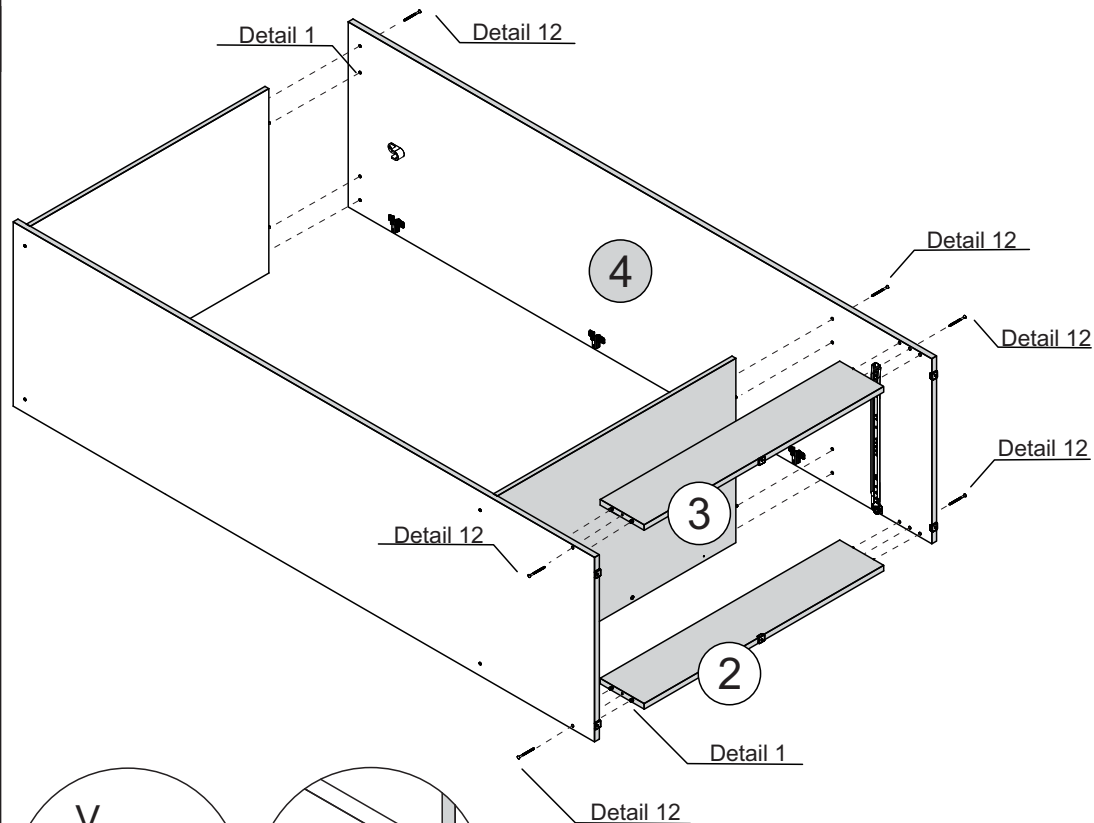
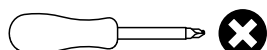


HARDWARE REQUIRED

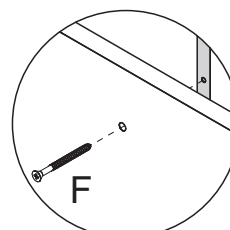
F  08
Ø4,0 x 50mm

V  01

TOOLS REQUIRED



Detail 1

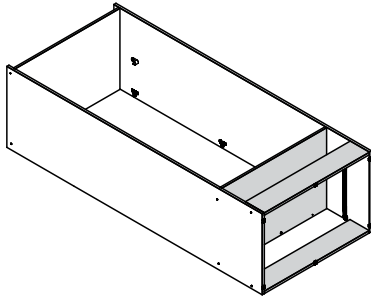


Detail 12

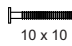
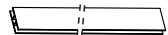
STEP 9

PARTS REQUIRED

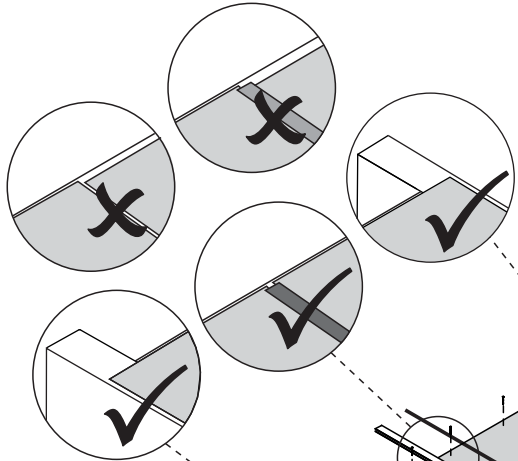
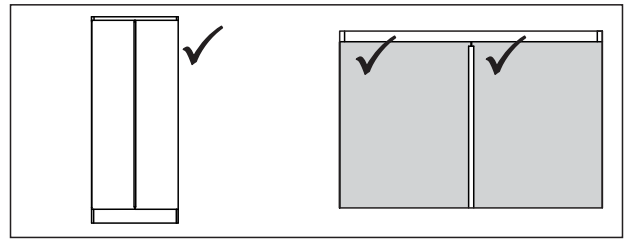
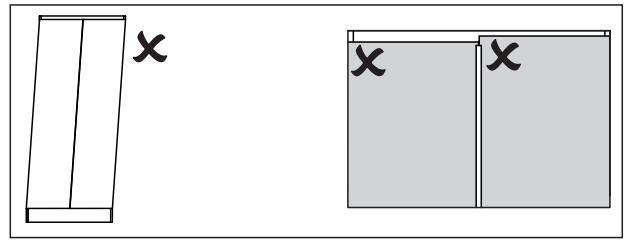
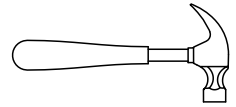
6 - BACK PANEL x2



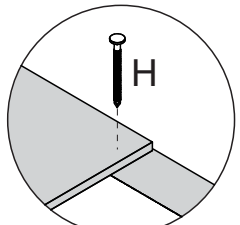
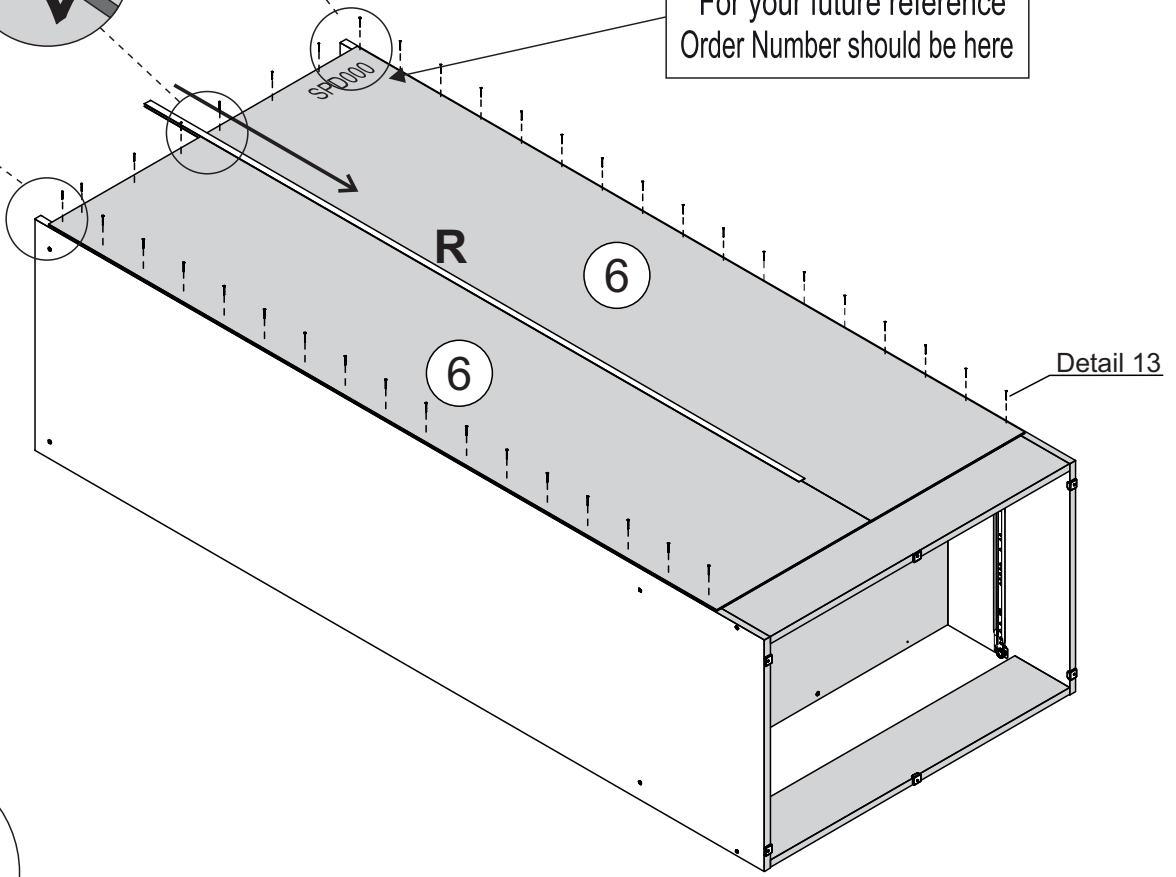
HARDWARE REQUIRED

- H  40
- R  01

TOOLS REQUIRED



* For your future reference
Order Number should be here

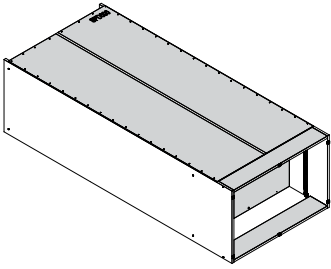


Detail 13

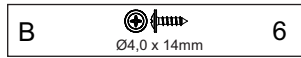
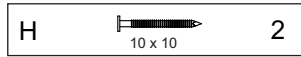
STEP 10

SEC/AY/06/21/CA7

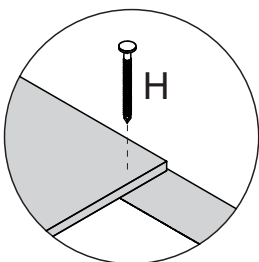
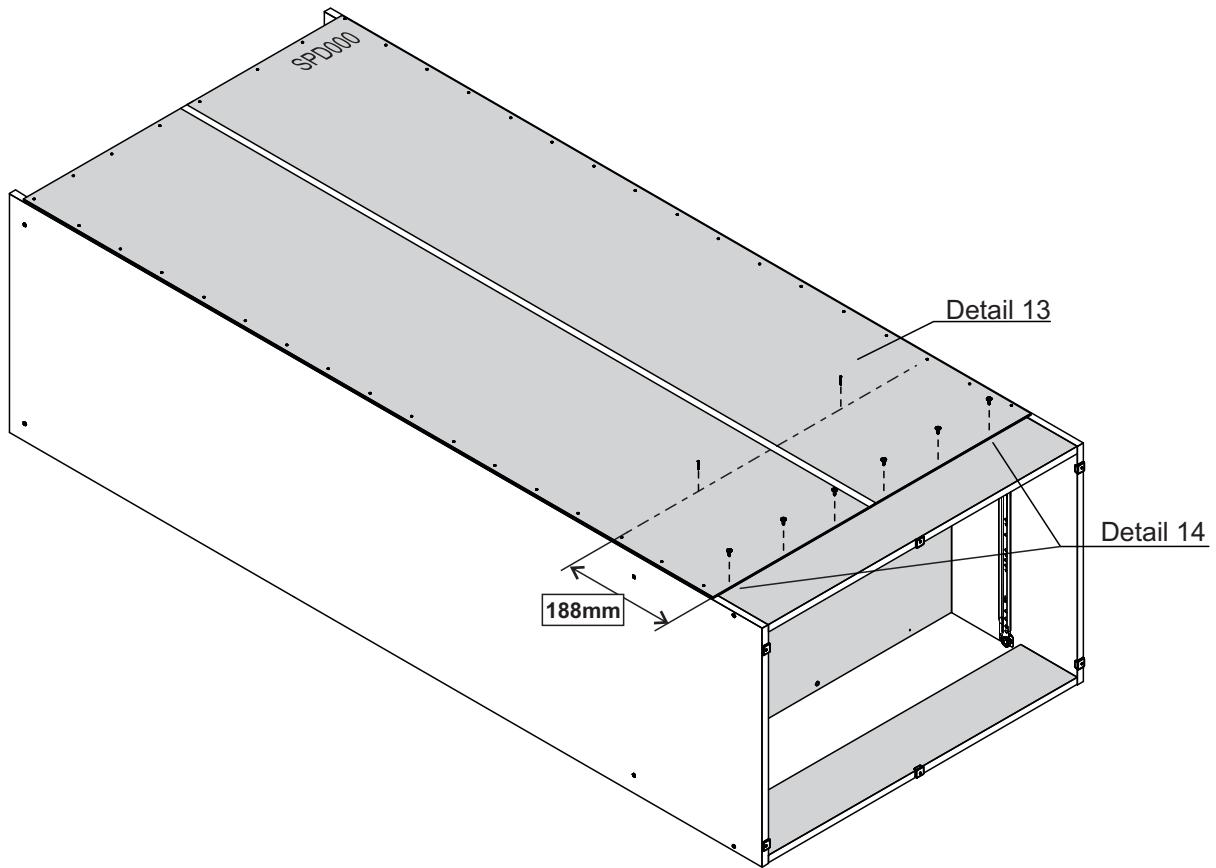
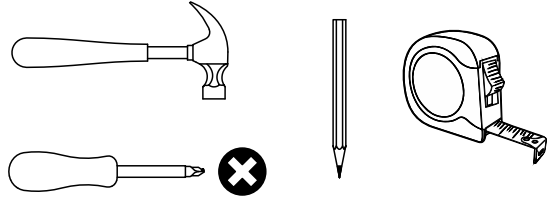
PARTS REQUIRED



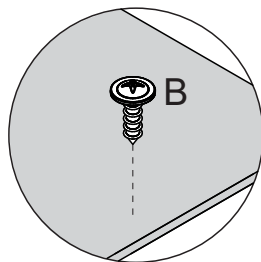
HARDWARE REQUIRED



TOOLS REQUIRED



Detail 13

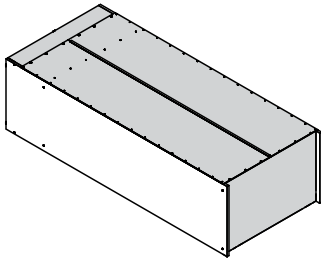


Detail 14


STEP 11


PARTS REQUIRED

7 - FRAME x1

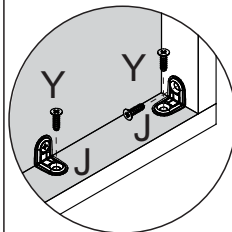
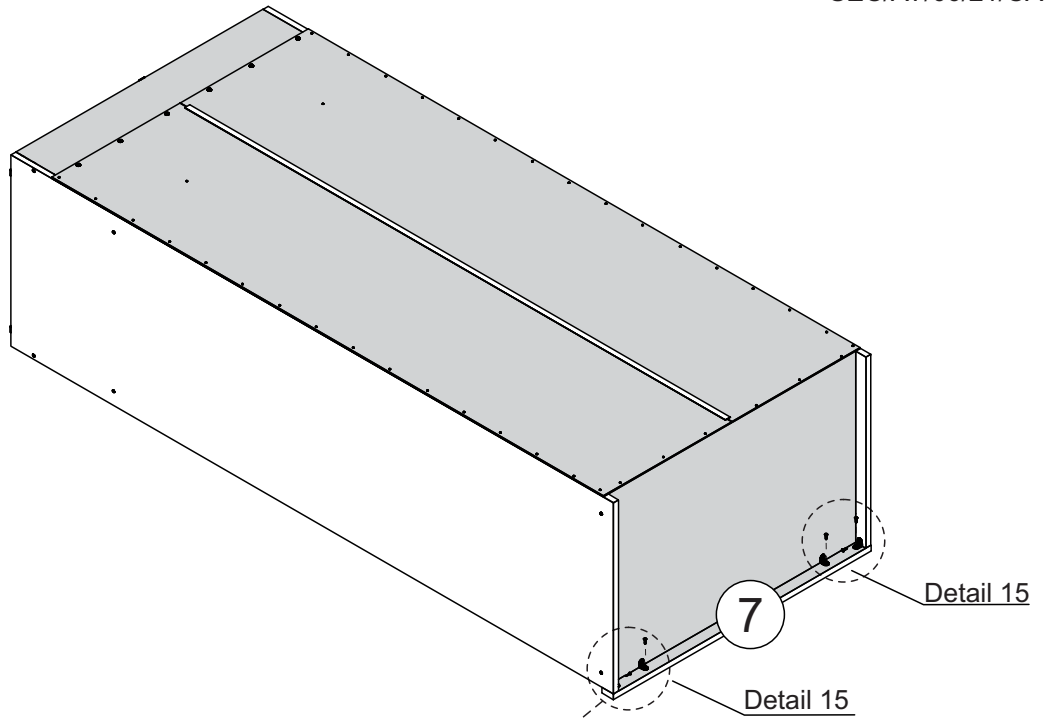
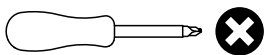


HARDWARE REQUIRED

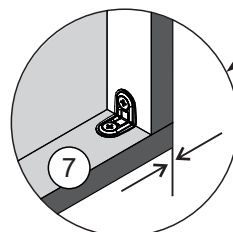
J  02

Y  06
Ø4,0 x 12mm

TOOLS REQUIRED



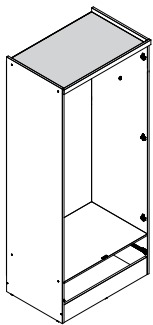
Detail 15



Align corners

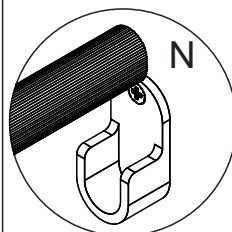
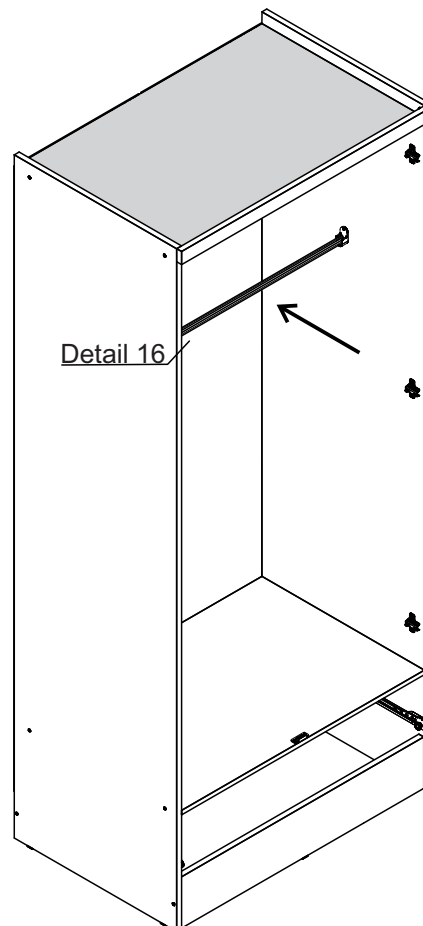
STEP 12

PARTS REQUIRED



HARDWARE REQUIRED

N  01



Detail 16

STEP 13


PARTS REQUIRED

9 - DRAWER SIDE x2

10 - DRAWER BACK PANEL x1

13 - DRAWER BOTTOM SUPPORT BAR x1

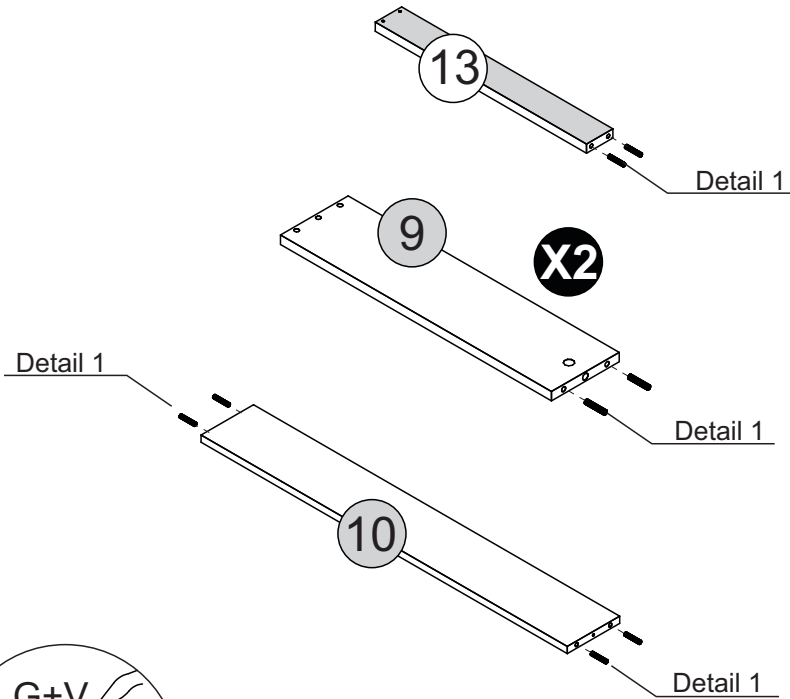
HARDWARE REQUIRED

G  10
Ø6,0 x 30mm

V  01
Glue



Detail 1




STEP 14

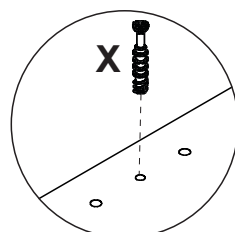
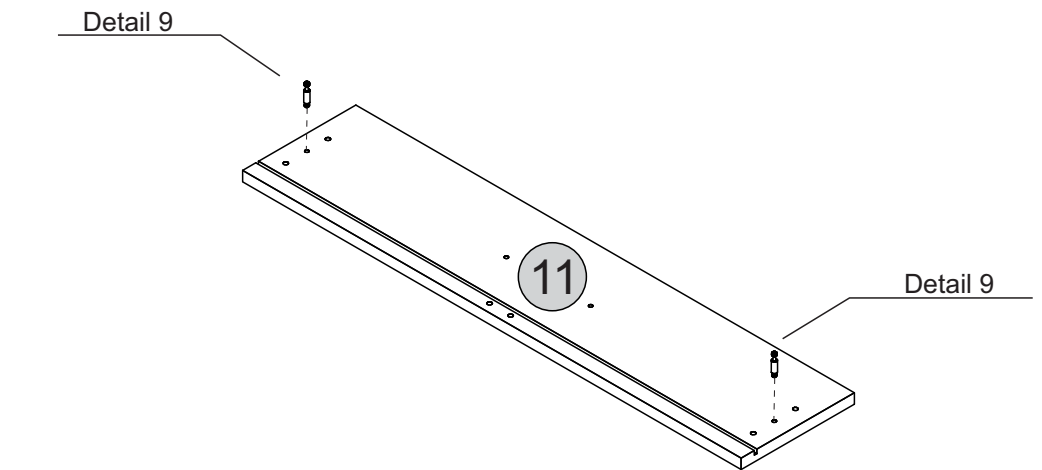
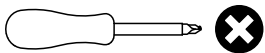
PARTS REQUIRED

11 - DRAWER FRONT x1

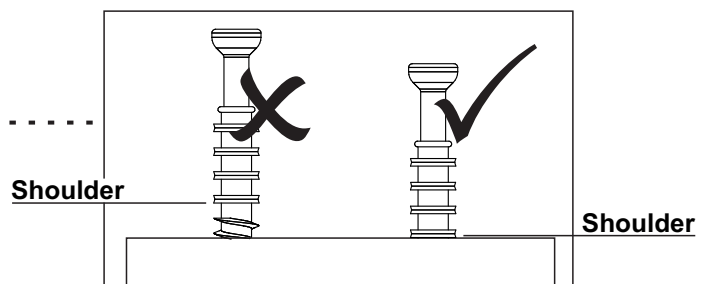
HARDWARE REQUIRED

X  02

TOOLS REQUIRED



Detail 9



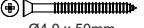
STEP 15

PARTS REQUIRED

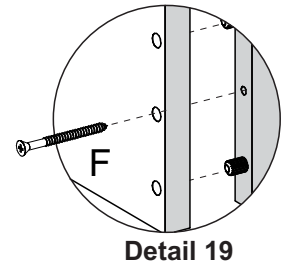
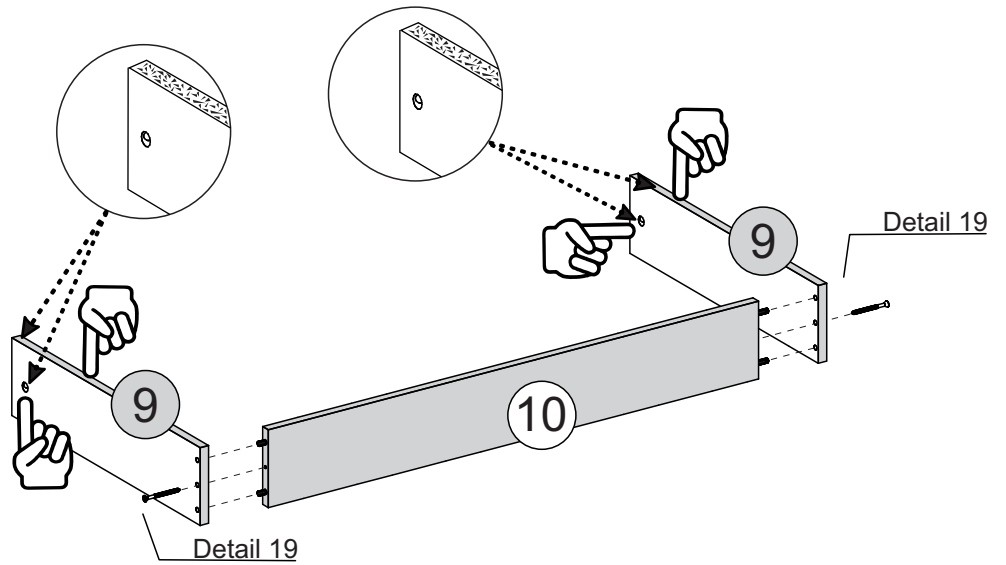
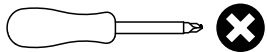
9 - DRAWER SIDE x2

10 - DRAWER BACK PANEL x2

HARDWARE REQUIRED

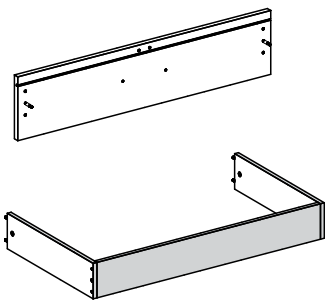
F  02
Ø4,0 x 50mm

TOOLS REQUIRED




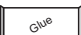
STEP 16

PARTS REQUIRED



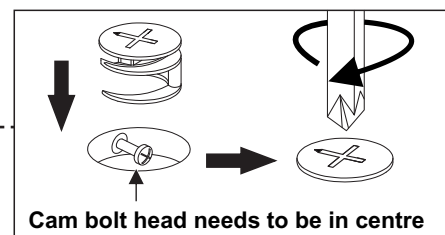
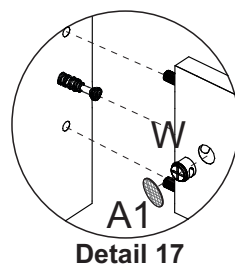
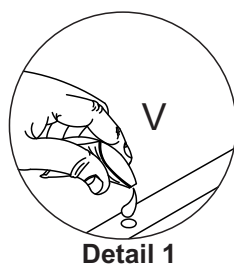
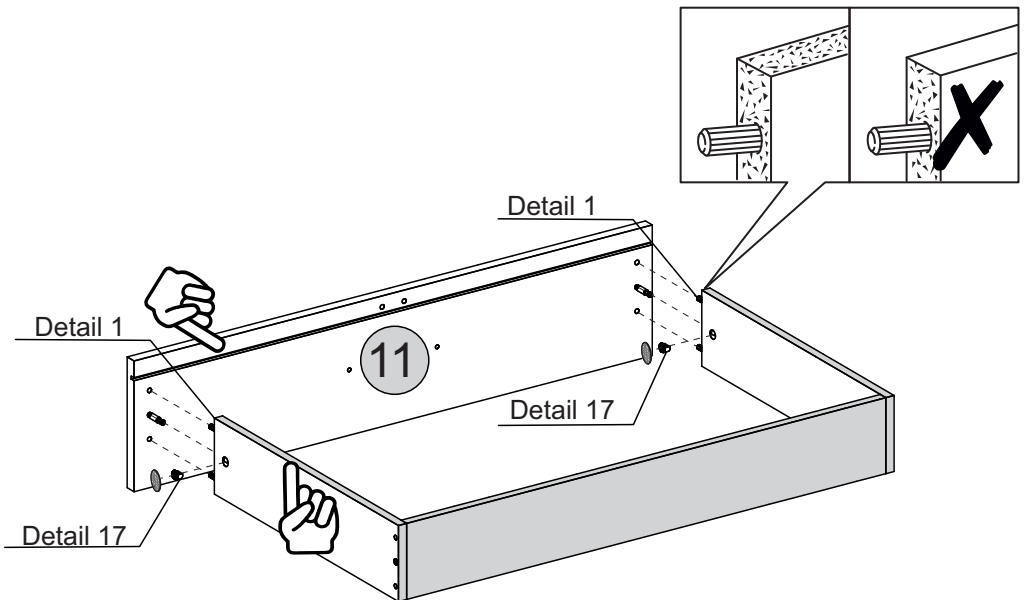
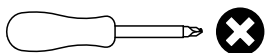
HARDWARE REQUIRED

A1  02

V  01

W  02

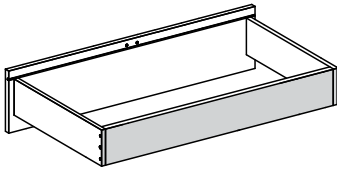
TOOLS REQUIRED



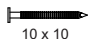
STEP 17

PARTS REQUIRED

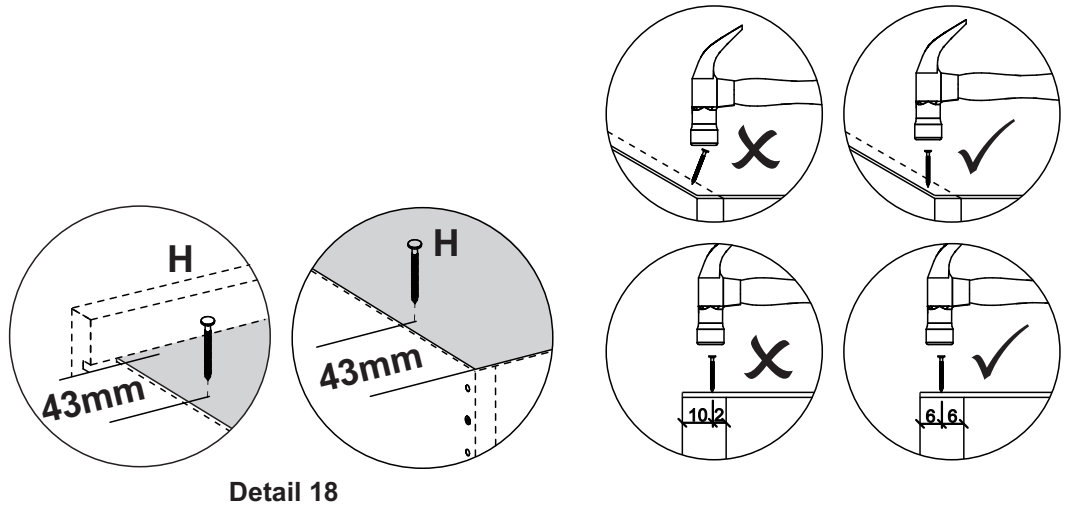
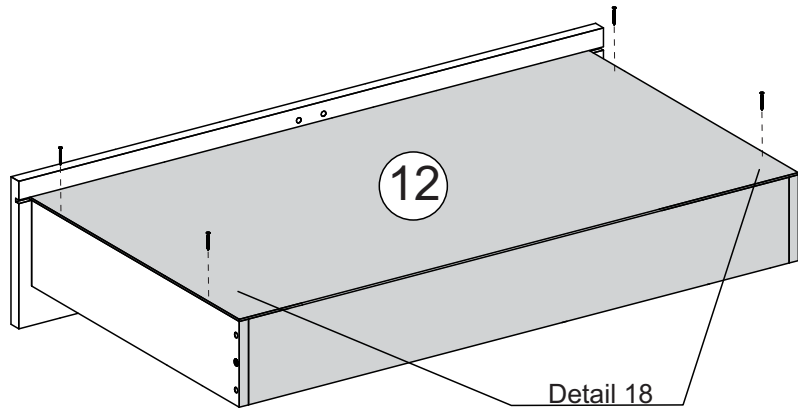
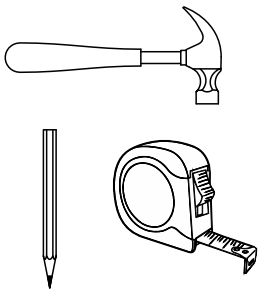
12 - DRAWER BOTTOM x1



HARDWARE REQUIRED

H  04
10 x 10

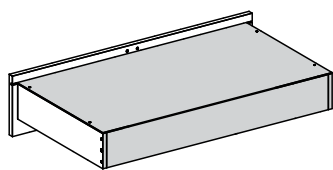
TOOLS REQUIRED



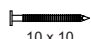
STEP 18

PARTS REQUIRED

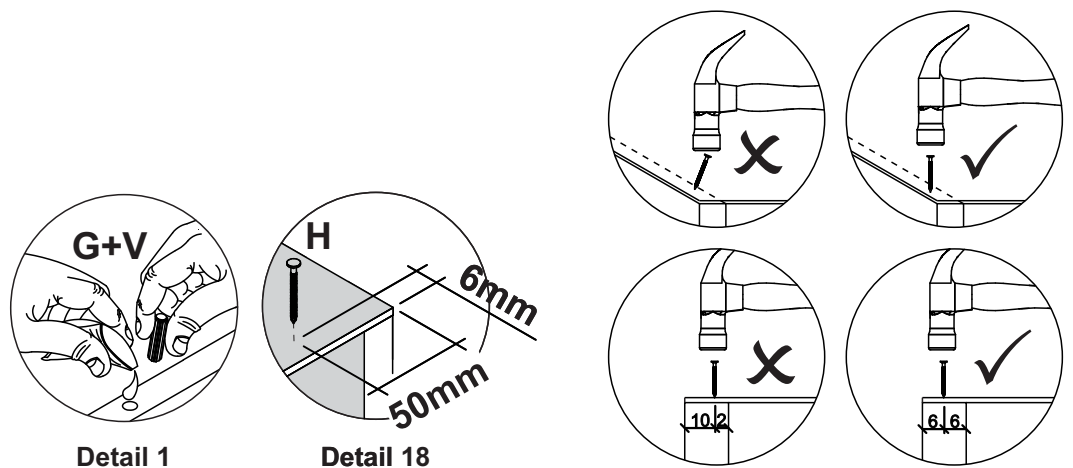
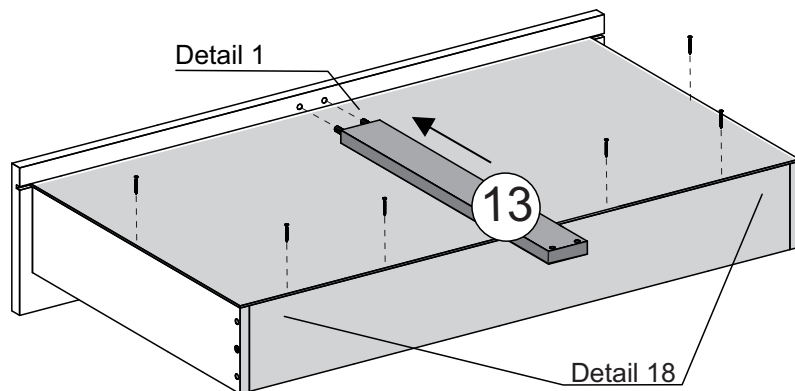
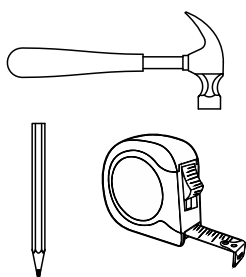
13 - DRAWER BOTTOM SUPPORT BAR x1



HARDWARE REQUIRED

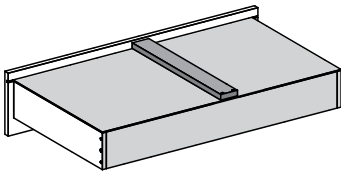
H  06
10 x 10

TOOLS REQUIRED

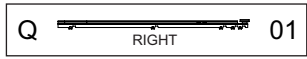
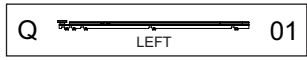
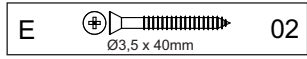
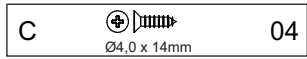


STEP 19

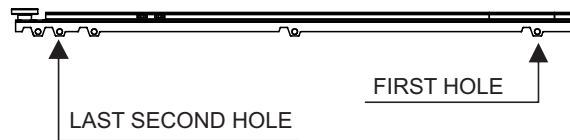
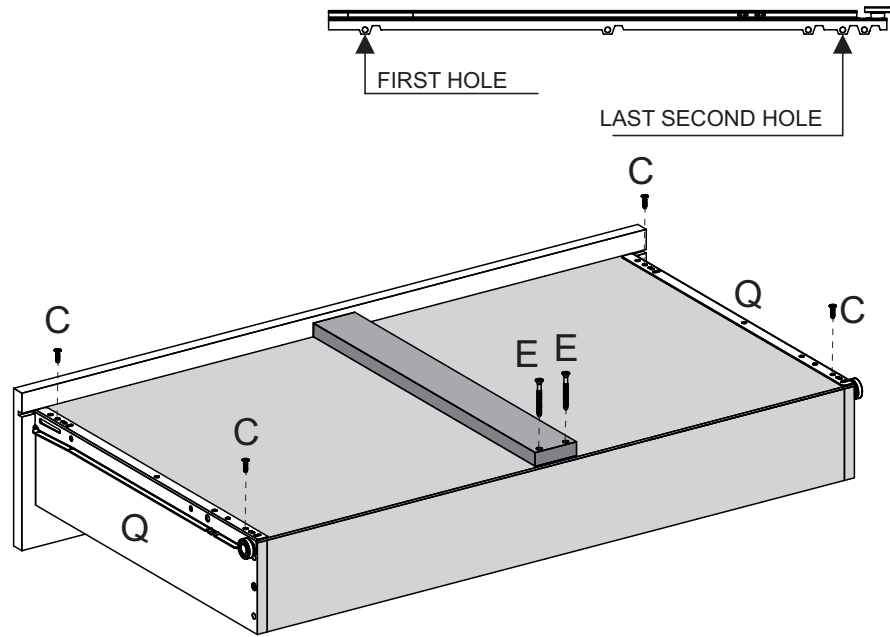
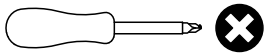
PARTS REQUIRED



HARDWARE REQUIRED



TOOLS REQUIRED

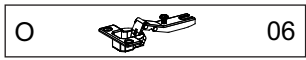
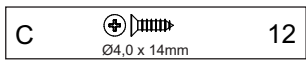


STEP 20

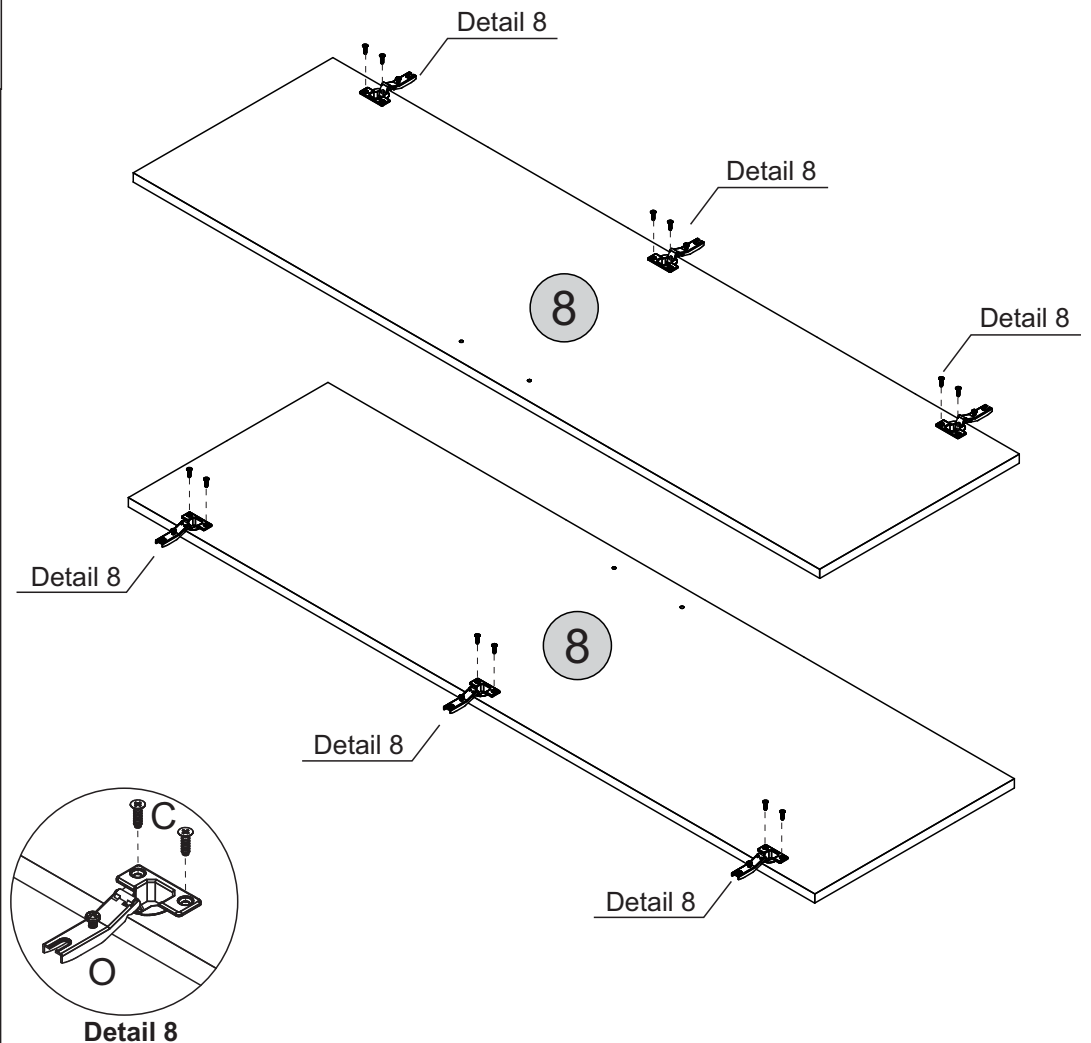
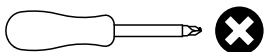
PARTS REQUIRED



HARDWARE REQUIRED



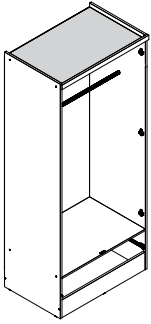
TOOLS REQUIRED




STEP 21

PARTS REQUIRED

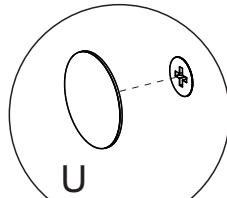
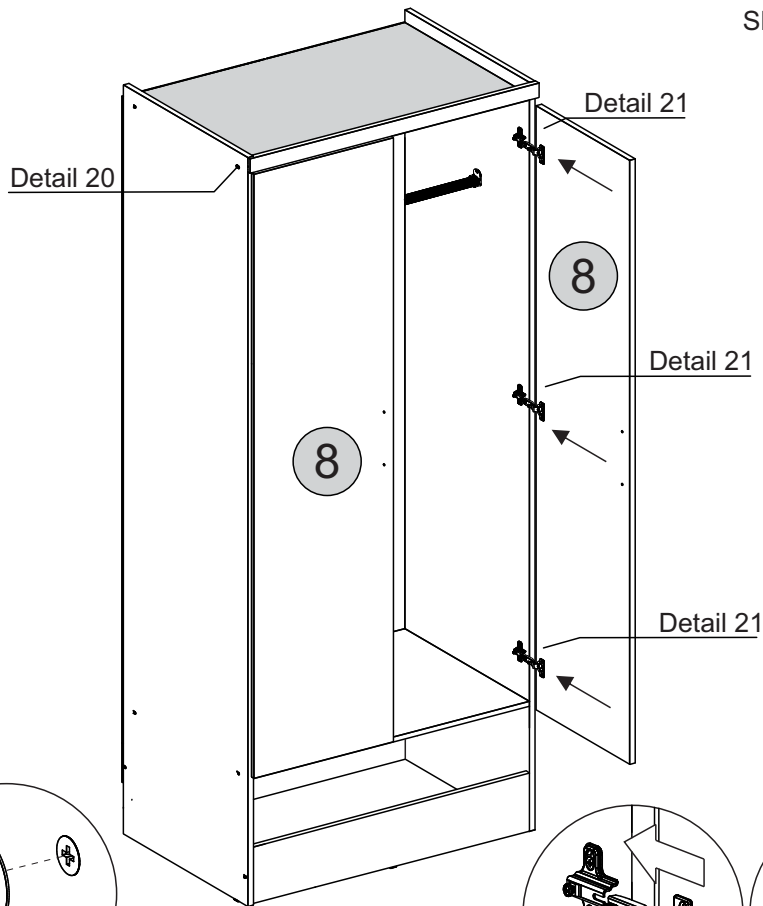
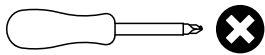
8 - DOOR x2



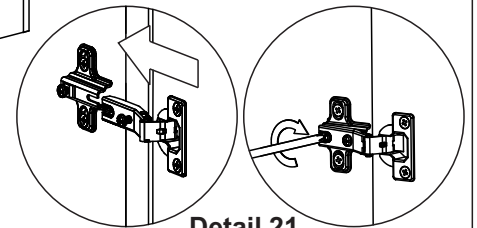
HARDWARE REQUIRED

U  12

TOOLS REQUIRED



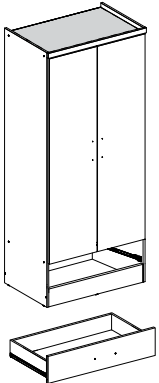
Detail 20




Detail 21


STEP 22

PARTS REQUIRED

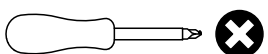


HARDWARE REQUIRED

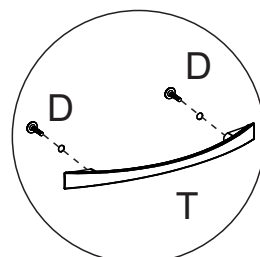
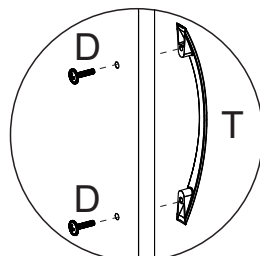
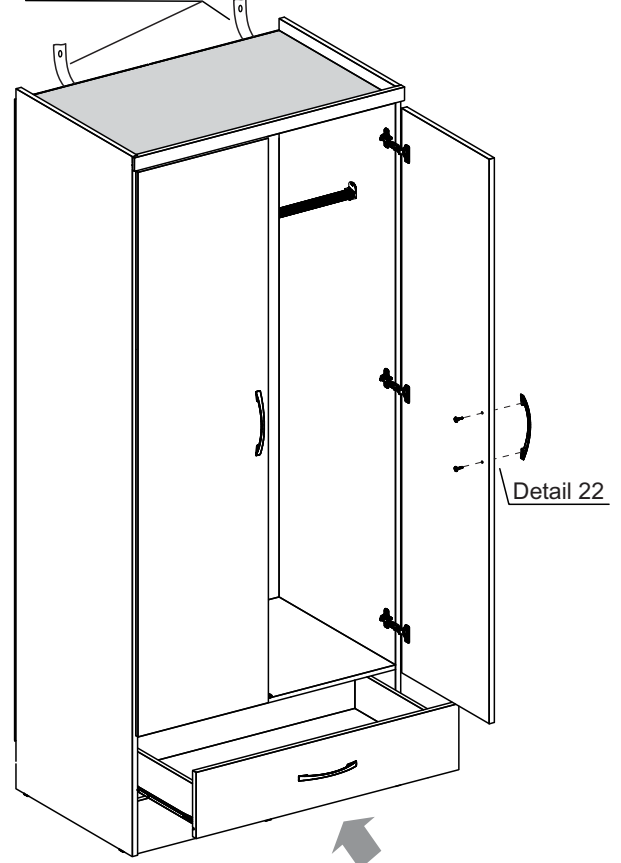
D  06
Ø4,0 x 20mm

T  03

TOOLS REQUIRED



 See the last page

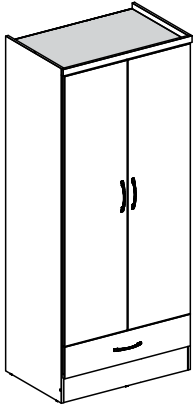


Detail 22

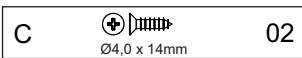
STEP 23

SEC/AY/06/21/CA7

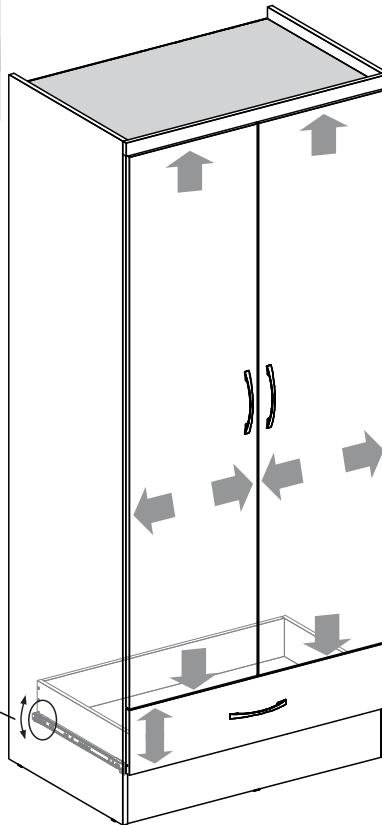
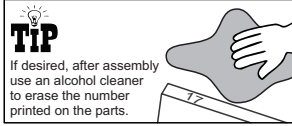
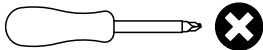
PARTS REQUIRED



HARDWARE REQUIRED

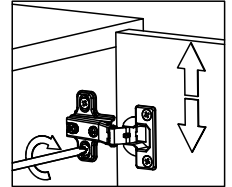


TOOLS REQUIRED

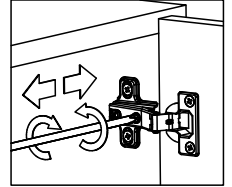


Detail 23

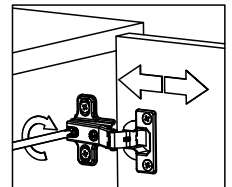
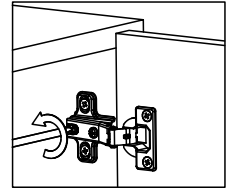
Height Adjustment



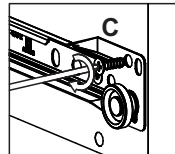
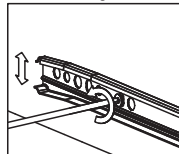
Internal Adjustment



Depth Adjustment



Drawer Adjustment Drawer Lock



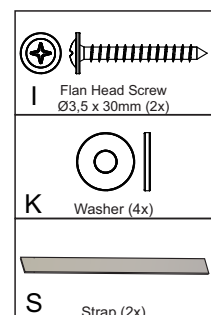
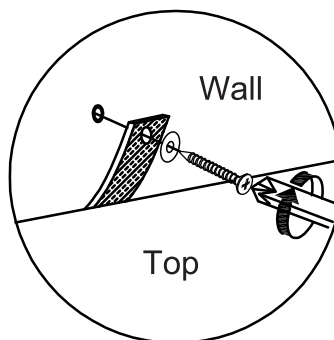
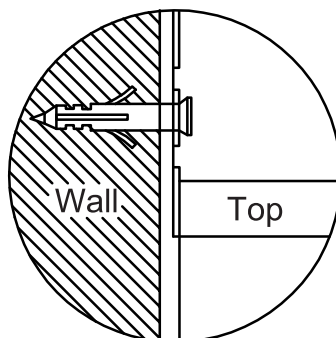
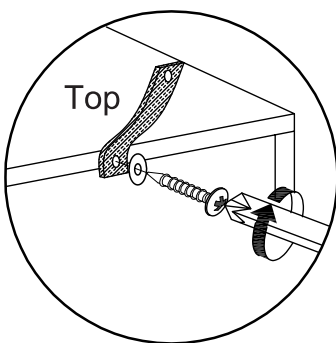
Detail 23

WARNING

Serious or fatal injuries can occur from furniture tipping over. To prevent the furniture from tipping over we recommend that it is permanently fixed to the wall.

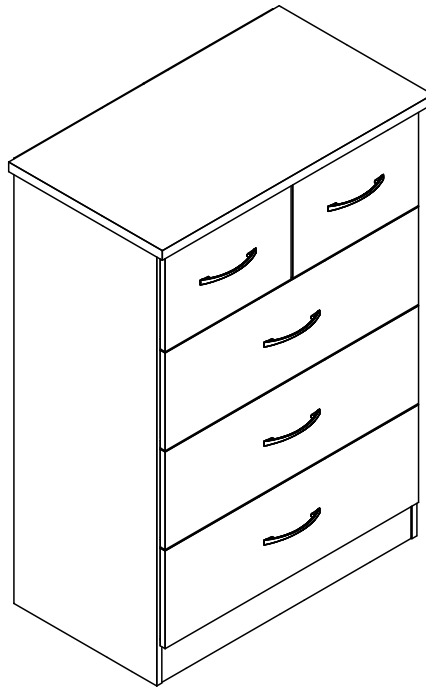
Wall fixings are not supplied with this product as different wall materials require different types of fixing devices.

Please make sure you use fixings suitable for the walls in your home.



NEVADA 3+2 DRAWER CHEST

ASSEMBLY INSTRUCTIONS



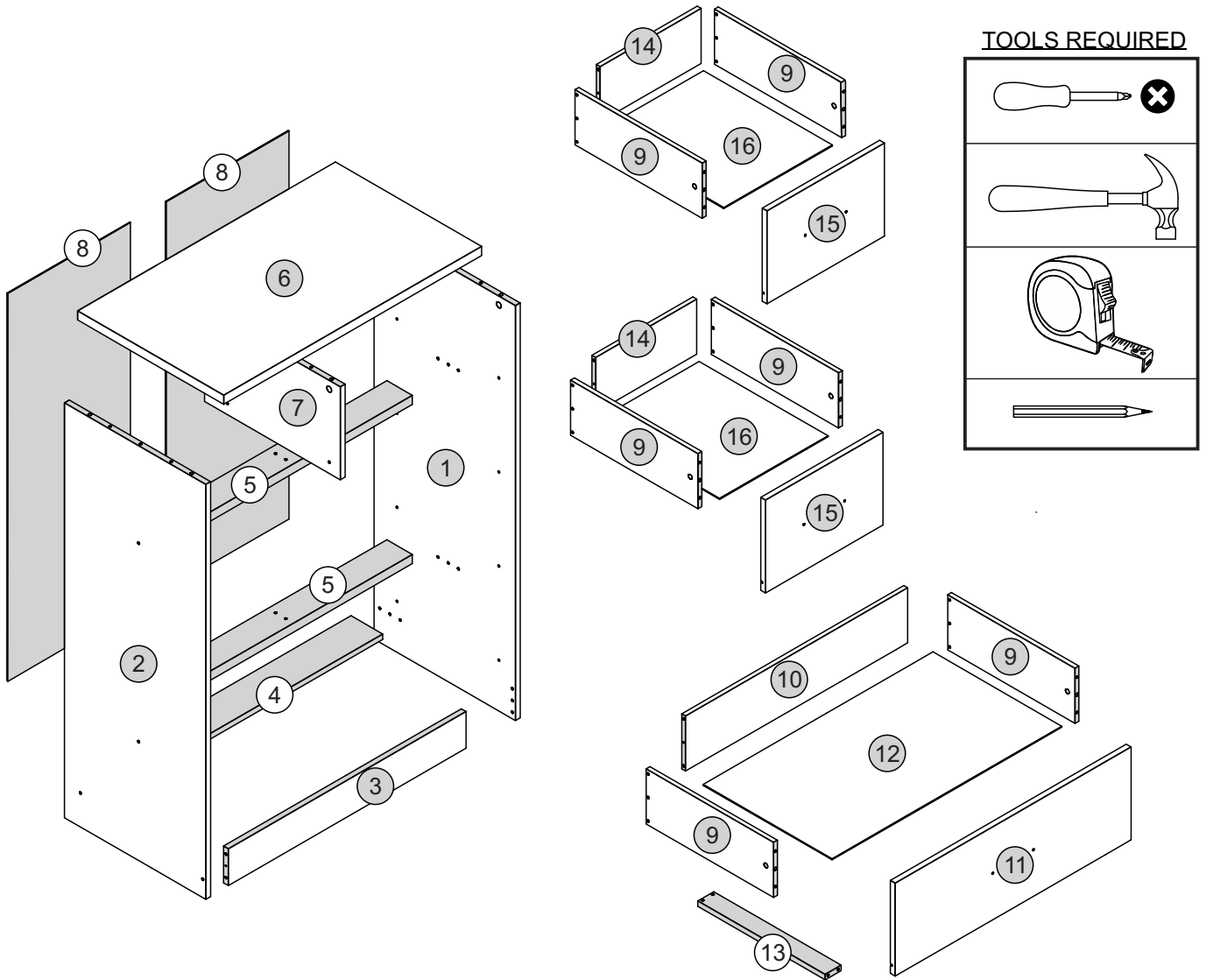
IMPORTANT FOR DOMESTIC USE ONLY

PLEASE READ BEFORE YOU CONTINUE FURTHER

CARE AND MAINTENANCE

After unpacking this product please keep the original packaging in case it needs to be returned for any reason.

- Please ensure all fittings and parts are present before commencing with assembly.
- Never drag or push products as this could cause damage to the joints making it inferior.
- We strongly recommend that you keep children away from your work area.
- We recommend that you lay a blanket or sheet on the floor to avoid damage to both your floor and the product.
- Assemble this product as close to its final position as possible.
- Do not place this product next to a radiator or in direct sunlight.
- Do not drag or push items across your high gloss furniture as this may cause the surface to scratch
- Wood is a natural product and may expand if subjected to damp and may shrink or crack if subjected to heat. Therefore it is recommended that room temperature is maintained, with no sudden temperature fluctuations.
- Make sure any spillage is wiped off immediately.
- Do not place hot or chilled items directly on to the surface, use a place mat or marking will occur.
- For general cleaning use a soft cotton or micro fibre cloth, and do not use detergents of any kind.
- From time to time it may be necessary to tighten fittings, regular inspections should be carried out.
- Do not place on a wet or damp floor as staining may occur to your floor.


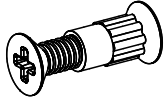
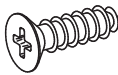
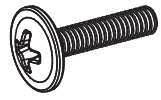
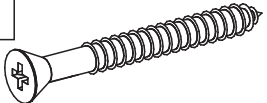







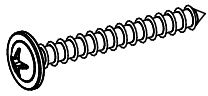
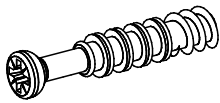


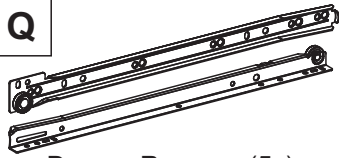
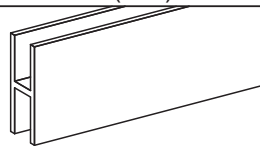


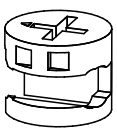
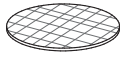


PARTS LIST

Please Note:
The below parts have all been stamped with the part number to help identify them during assembly.

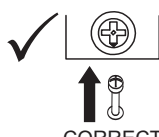
Part Number	Part Description	Quantity	Carton
01	Right Side Panel	1	1/2
02	Left Side Panel	1	1/2
03	Front Baseboard	1	1/2
04	Back Baseboard	1	1/2
05	Crossbar	2	2/2
06	Top Panel	1	2/2
07	Division Panel	1	1/2
08	Back Panel	1	1/2
09	Drawer Side	10	1/2
10	Large Drawer Back Panel	3	1/2
11	Large Drawer Front	3	2/2
12	Large Drawer Bottom	3	2/2
13	Drawer Bottom Support Bar	3	1/2
14	Small Drawer Back Panel	2	1/2
15	Small Drawer Front	2	2/2
16	Small Drawer Bottom	2	1/2

FITTINGS LIST

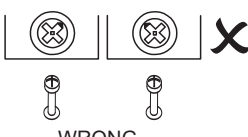
<p>A</p>  <p>Flat Head Screw 2/+ Ø6,0 x 10mm (16x)</p>	<p>B</p>  <p>Double Flat Head Screw 1/+ Ø4,0 x 18mm (2x)</p>	<p>C</p>  <p>Flat Head Screw 2/+ Ø4,0 x 14mm (30x)</p>	<p>D</p>  <p>Flan Head Screw 2/+ Ø4,0 x 20mm (10x)</p>
<p>E</p>  <p>Flat Head Screw 1/+ Ø3,5 x 40mm (6x)</p>	<p>F</p>  <p>Flat Head Screw 2/+ Ø4,0 x 50mm (19x)</p>	<p>G</p>  <p>2/+ Dowel Ø6,0 x 30mm (69x)</p>	<p>H</p>  <p>2/+ Nail 10 x 10 (84x)</p>
<p>I</p>  <p>1/+ Back Panel Bracket (2x)</p>	<p>J</p>  <p>2/+ Cam Nut Ø12mm (10x)</p>	<p>K</p>  <p>1/+ Washer (4x)</p>	<p>L</p>  <p>1/+ Plastic Foot (6x)</p>
<p>M</p>  <p>1/+ Flan Head Screw Ø3,5 x 30mm (2x)</p>	<p>N</p>  <p>2/+ Cam Bolt (16x)</p>	<p>O</p>  <p>2/+ Hole Plugs (8x)</p>	<p>P</p>  <p>Glue (2x)</p>
<p>Q</p>  <p>Drawer Runners (5x)</p>	<p>R</p>  <p>Back Panel Strip (1x)</p>	<p>S</p>  <p>Strap (2x)</p>	<p>T</p>  <p>Handle (5x)</p>
<p>U</p>  <p>1/+ Cam Nut Ø15mm (6x)</p>	<p>V</p>  <p>2/+ Hole Plugs (10x)</p>		

TIPS FOR FITTINGS CAM-LOCKS

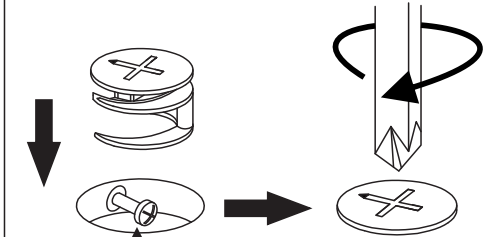
WHEN FITTING CAM NUT. ENSURE STARTING POSITION IS CORRECT BEFORE YOU INSERT. CONNECTING CAM BOLT TURN CLOCKWISE UNTIL SECURE



↑
CORRECT



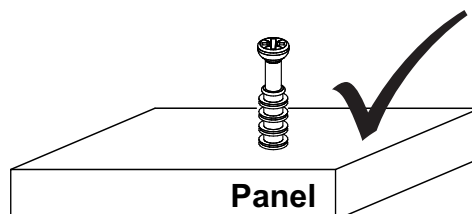
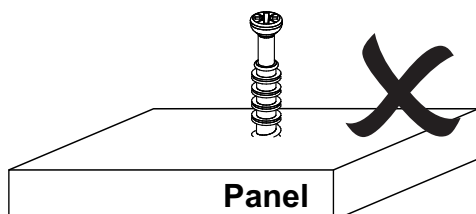
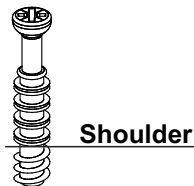
↓
WRONG



Cam bolt head needs to be in centre

CAMBOLT

Tighten until shoulder in flush with panel. Do not overtighten or undertighten (see example beside)

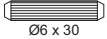



STEP 1

PARTS REQUIRED

2 - LEFT SIDE PANEL x1

HARDWARE REQUIRED

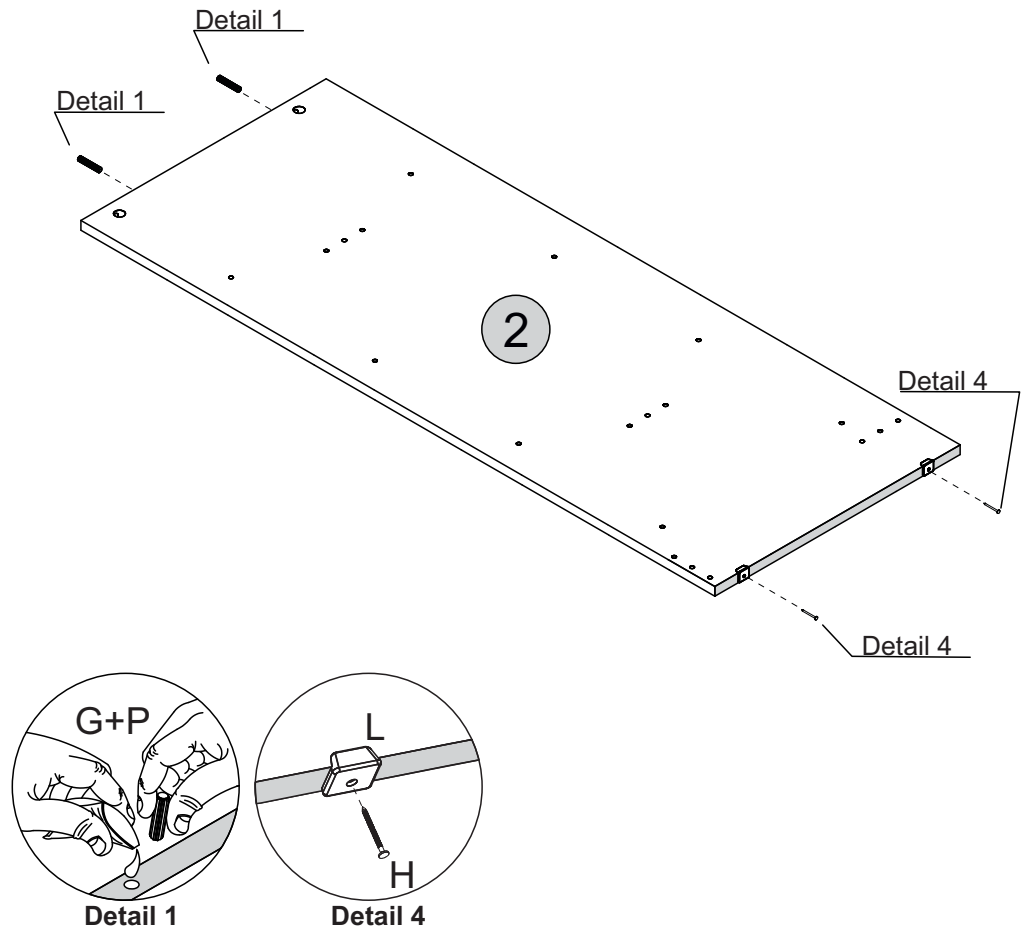
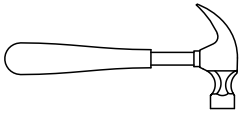
G  02
Ø6 x 30

H  02
10 x 10

L  02

P  01
GLUE

TOOLS REQUIRED




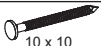
STEP 2

PARTS REQUIRED

1 - RIGHT SIDE PANEL x1

HARDWARE REQUIRED

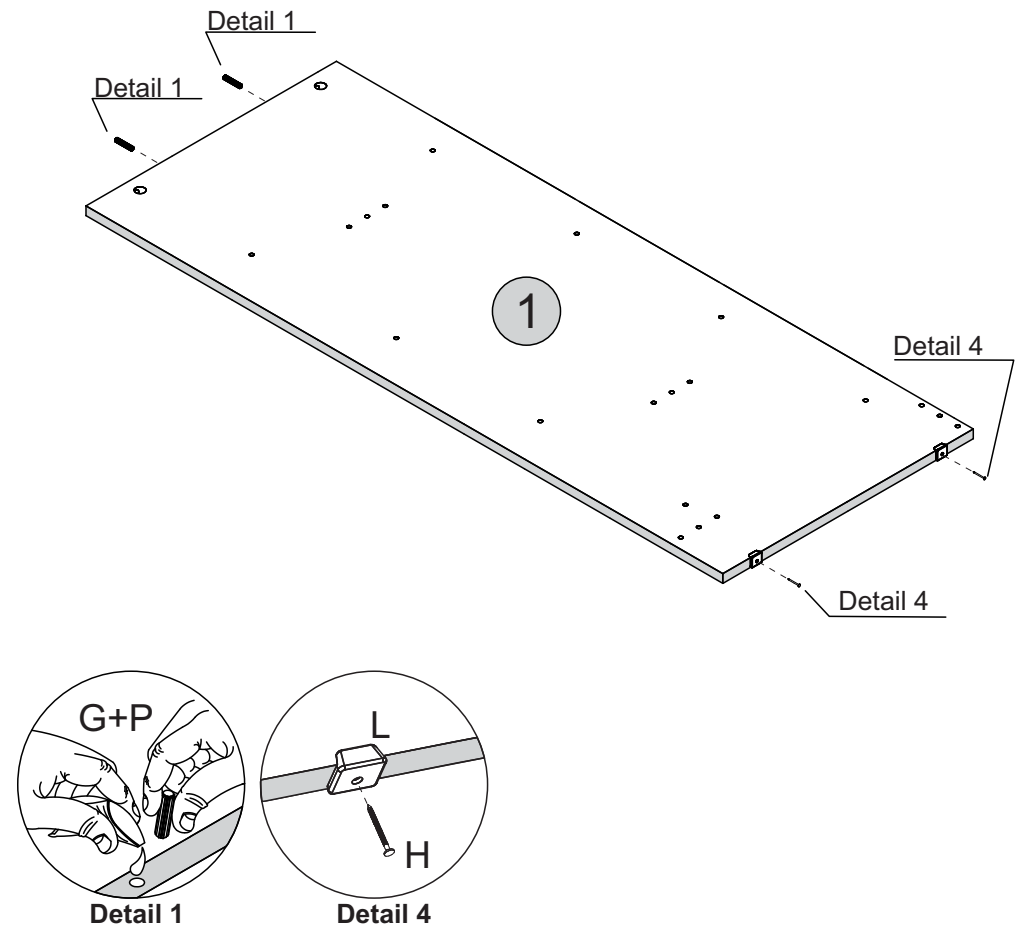
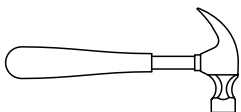
G  02
Ø6 x 30

H  02
10 x 10

L  02

P  01
GLUE

TOOLS REQUIRED




STEP 3

PARTS REQUIRED

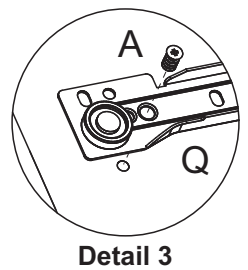
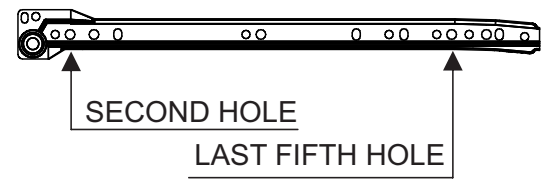
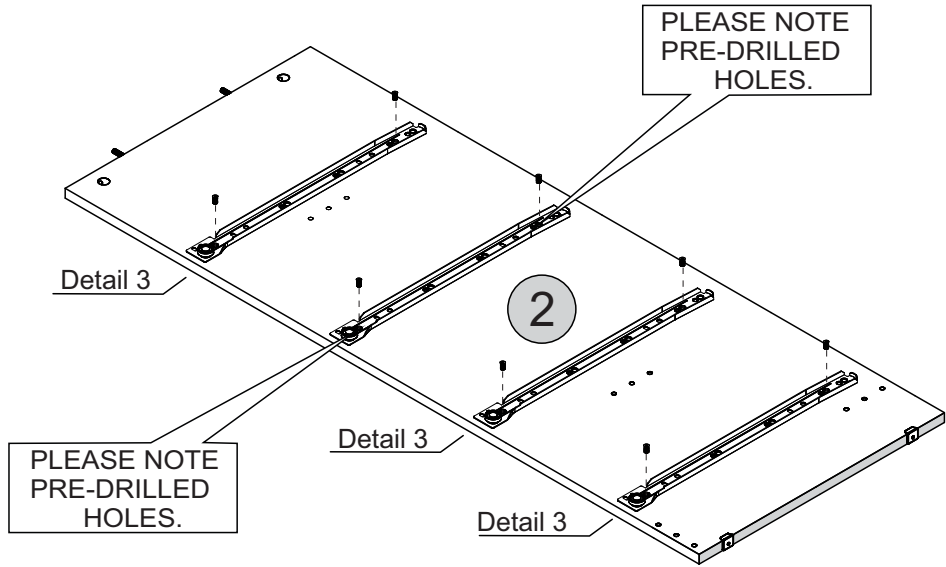
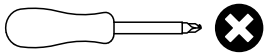
2 - LEFT SIDE PANEL x1

HARDWARE REQUIRED

A  08
Ø6 x 10

Q  04
LEFT

TOOLS REQUIRED



STEP 4

PARTS REQUIRED

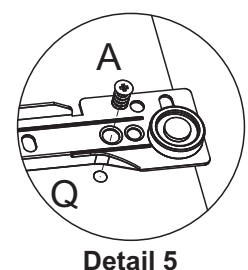
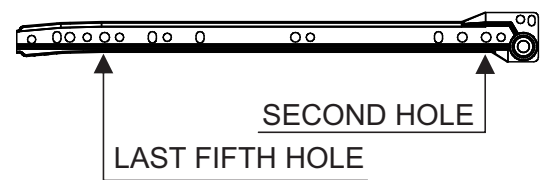
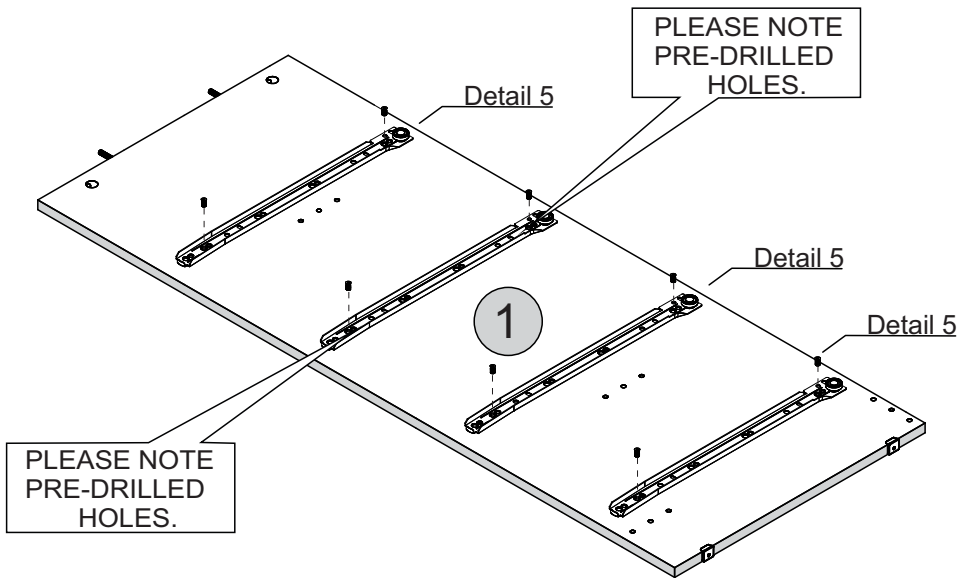
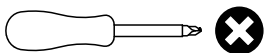
1 - RIGHT SIDE PANEL x1

HARDWARE REQUIRED

A  08
Ø6 x 10

Q  04
RIGHT

TOOLS REQUIRED



STEP 5

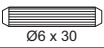
PARTS REQUIRED

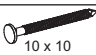
3 - FRONT BASEBOARD x1


4 - BACK BASEBOARD x1

5 - CROSSBAR x2

HARDWARE REQUIRED

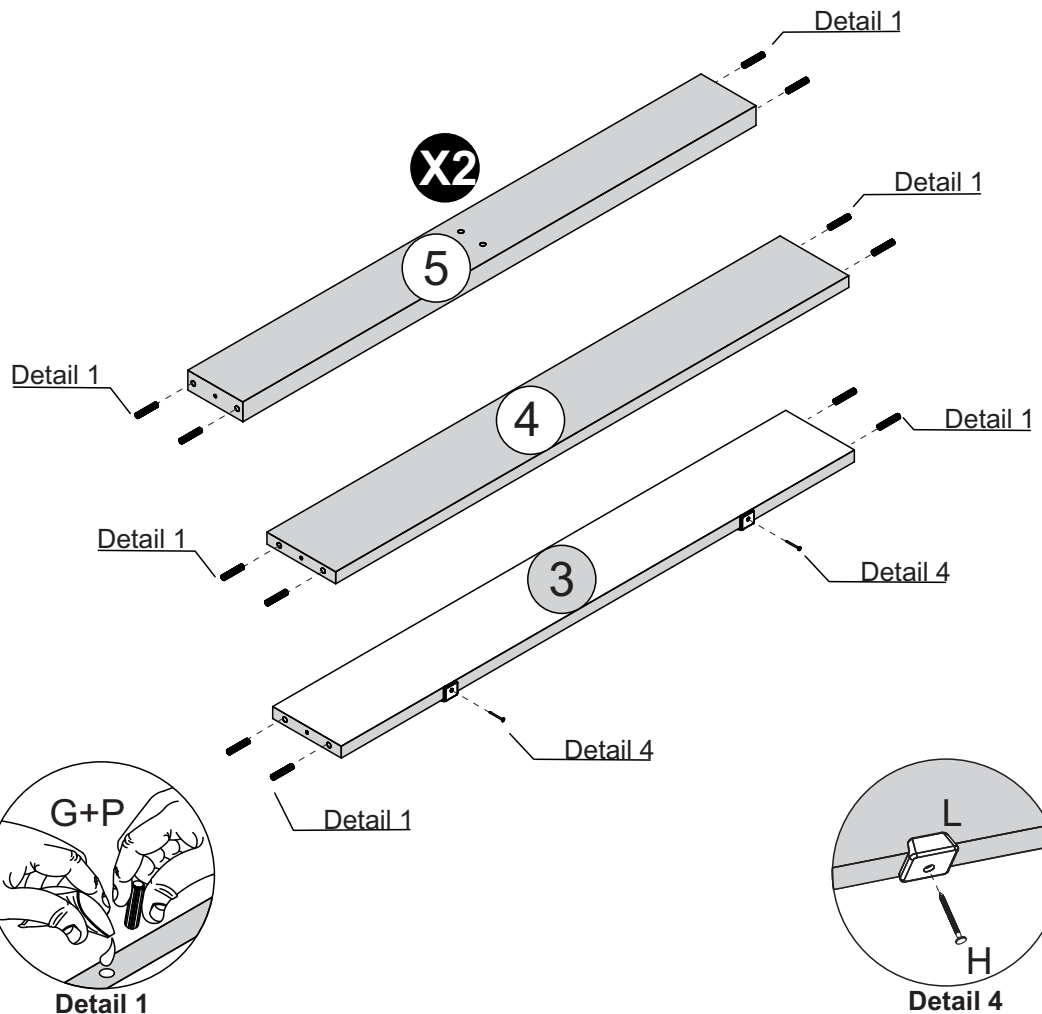
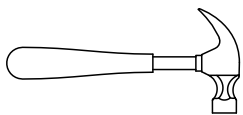
G  16
Ø6 x 30

H  02
10 x 10

L  02

P  01
GLUE

TOOLS REQUIRED

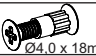


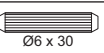
STEP 6

PARTS REQUIRED

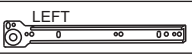
7 - DIVISION PANEL x1

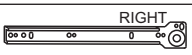
HARDWARE REQUIRED

B  02
Ø4,0 x 18mm

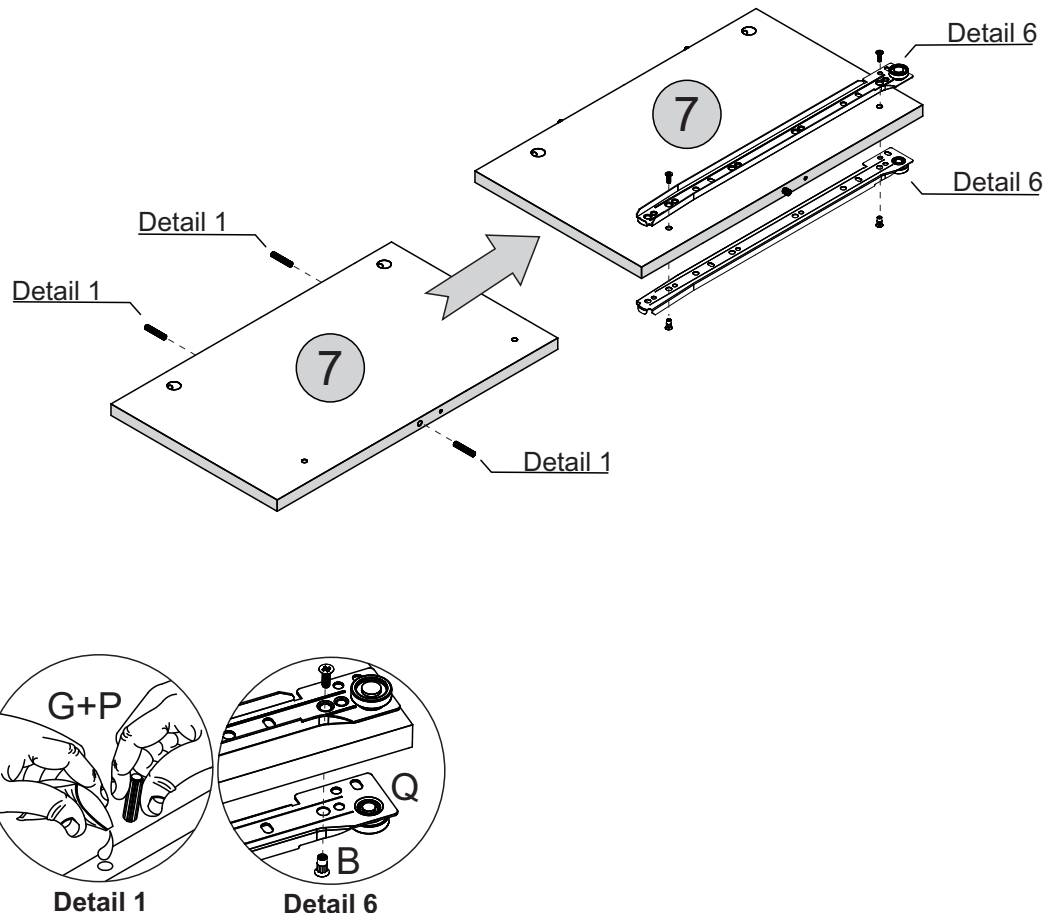
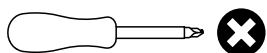
G  03
Ø6 x 30

P  01
GLUE

Q  01
LEFT

Q  01
RIGHT

TOOLS REQUIRED

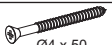



STEP 7

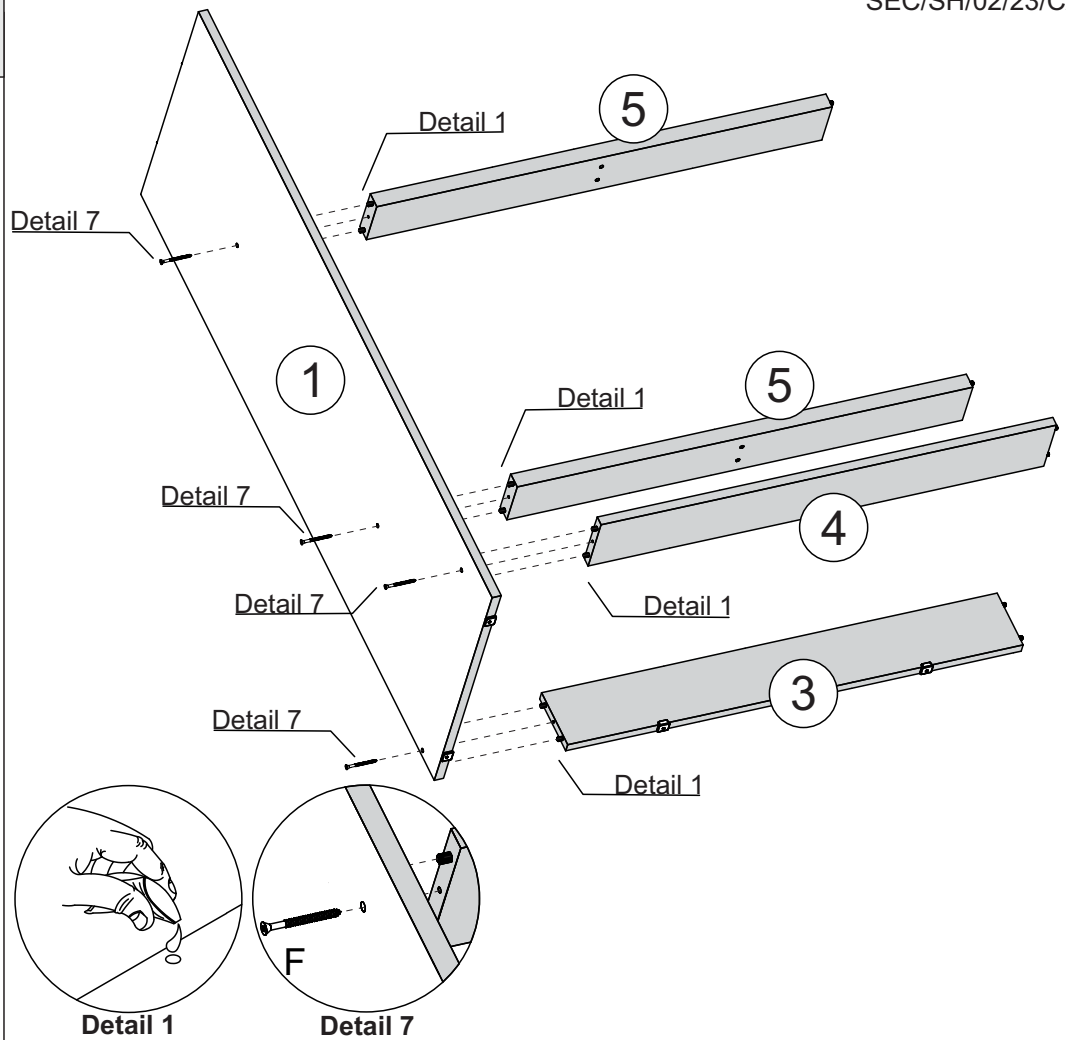
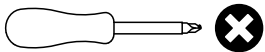
PARTS REQUIRED

- 1 - RIGHT SIDE PANEL x1
- 3 - FRONT BASEBOARD x1
- 4 - BACK BASEBOARD x1
- 5 - CROSSBAR x2

HARDWARE REQUIRED

- F  04
Ø4 x 50
- P  01
GLUE

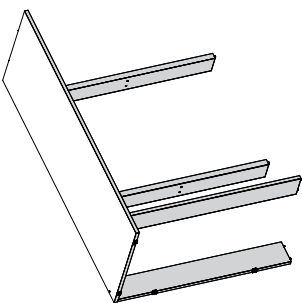
TOOLS REQUIRED





STEP 8

PARTS REQUIRED

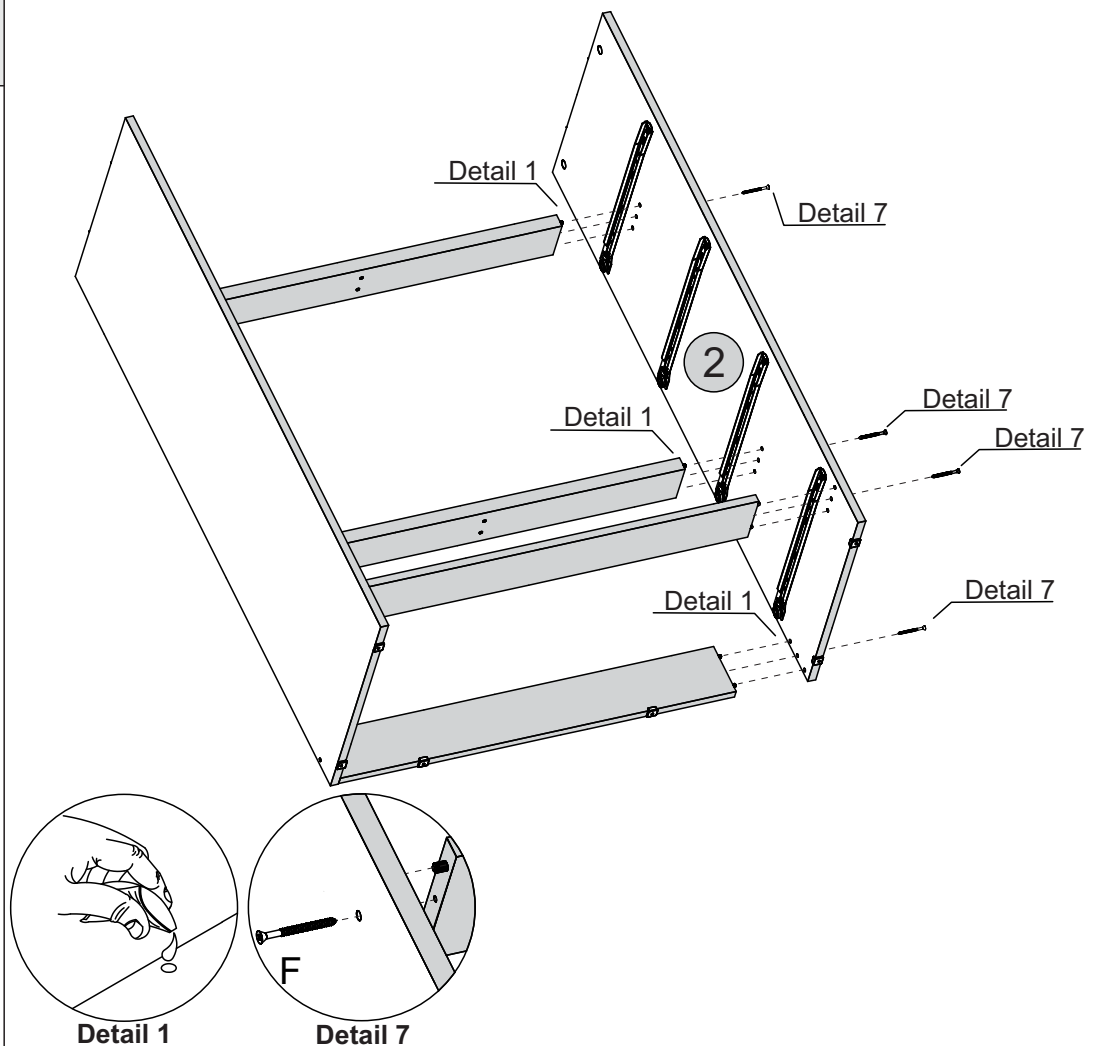
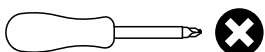
- 2 - LEFT SIDE PANEL x1



HARDWARE REQUIRED

- F  04
Ø4 x 50
- P  01
GLUE

TOOLS REQUIRED



STEP 9

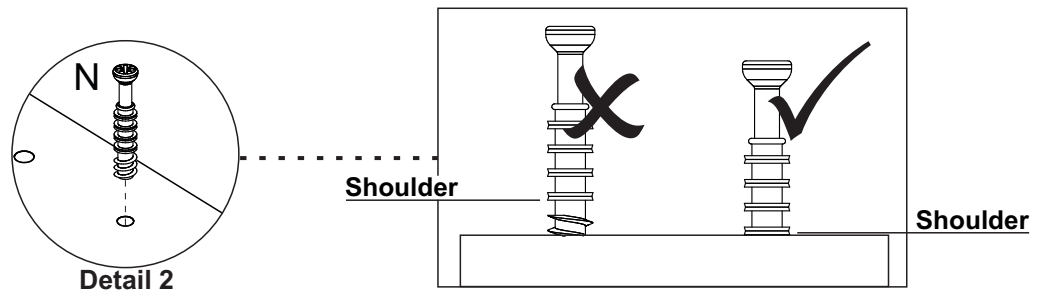
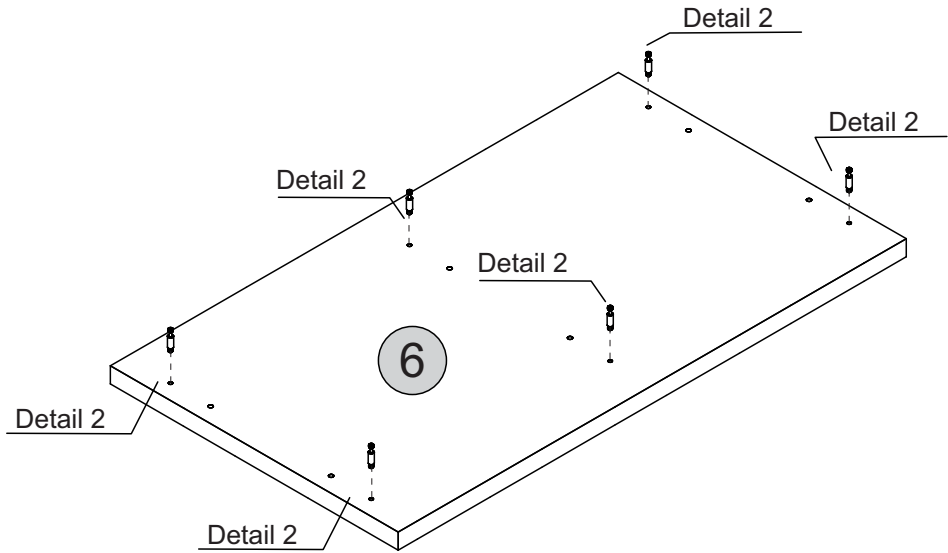
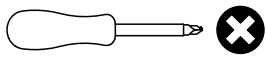
PARTS REQUIRED

6 - TOP PANEL x1

HARDWARE REQUIRED

N  06

TOOLS REQUIRED



STEP 10

PARTS REQUIRED

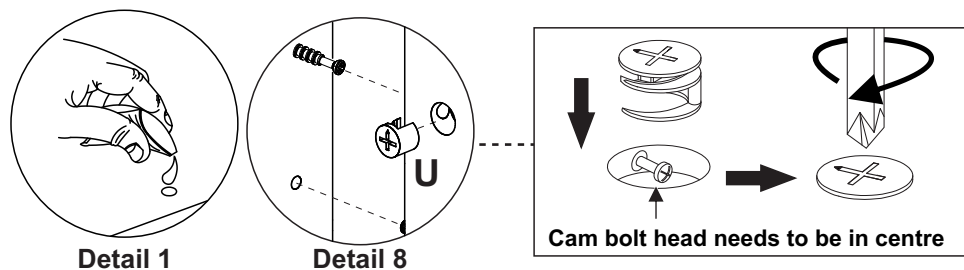
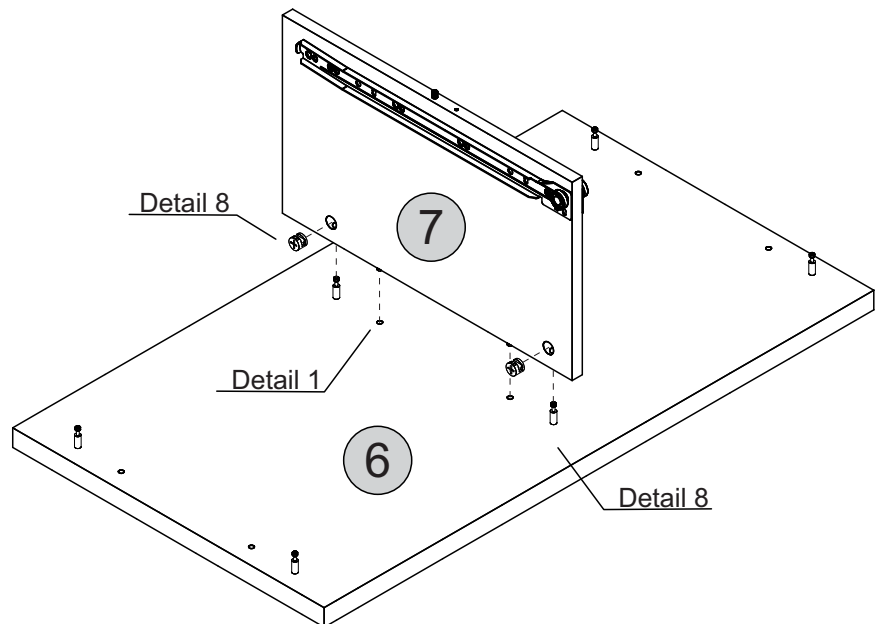
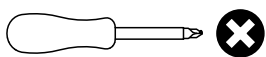
6 - TOP PANEL x1

7 - DIVISION PANEL x1

HARDWARE REQUIRED

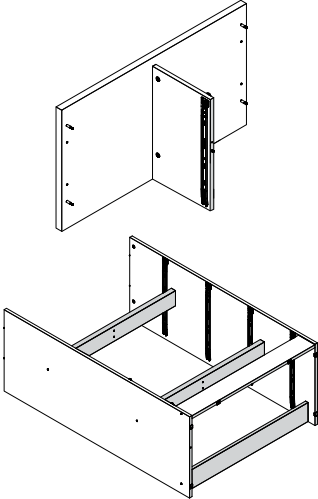
U  02

TOOLS REQUIRED



STEP 11

PARTS REQUIRED



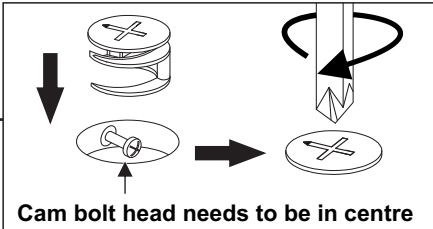
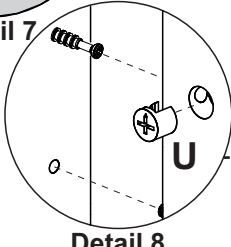
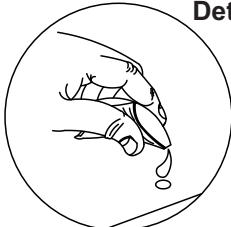
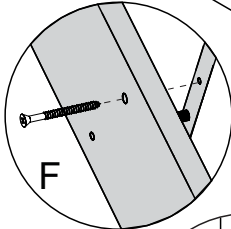
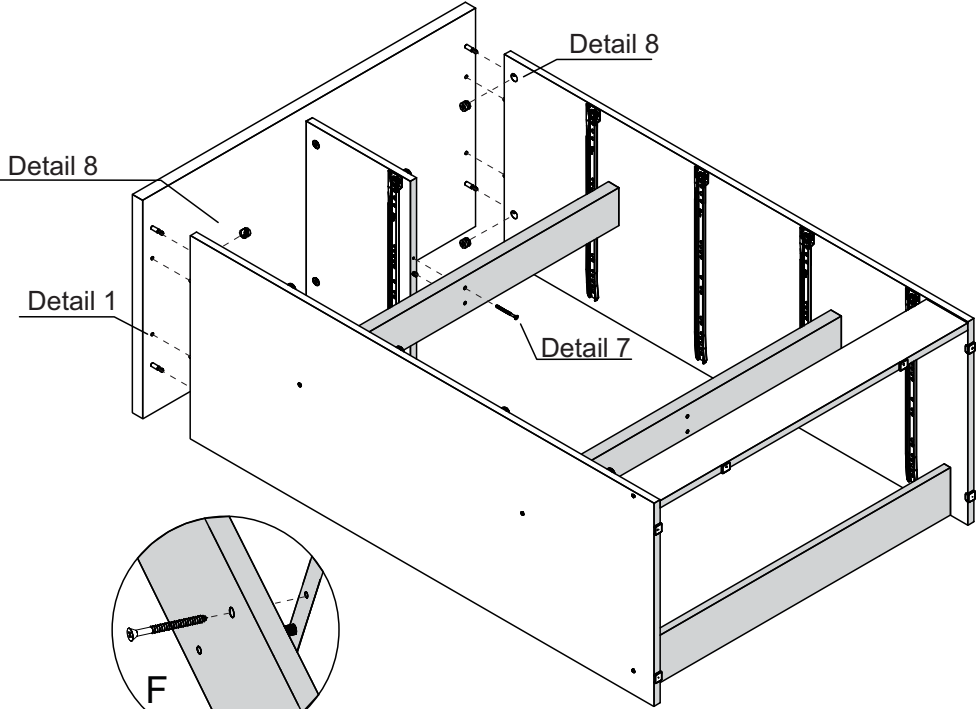
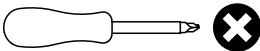
HARDWARE REQUIRED

F  01
Ø4 x 50

P  01
GLUE

U  04

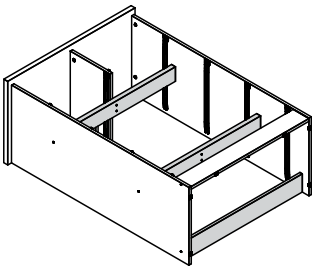
TOOLS REQUIRED



STEP 12

PARTS REQUIRED

8 - BACK PANEL x2



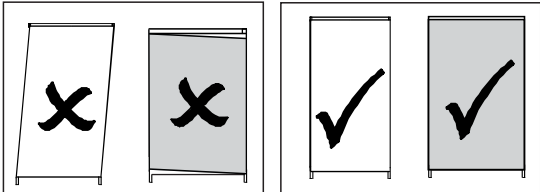
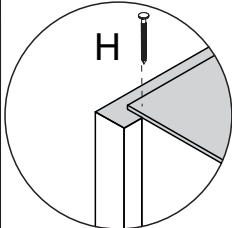
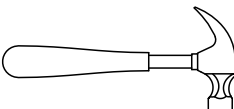
HARDWARE REQUIRED

H  32

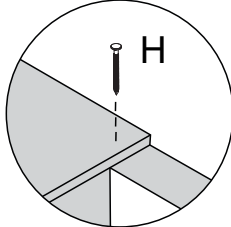
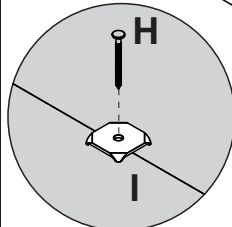
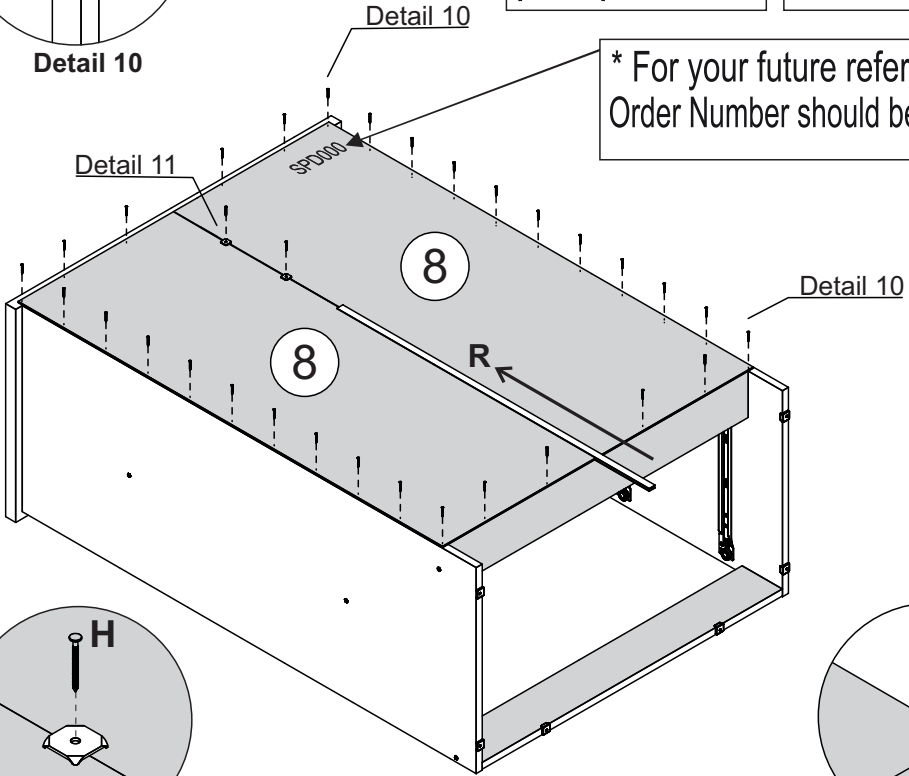
I  02

R  01

TOOLS REQUIRED



* For your future reference Order Number should be here



STEP 13

PARTS REQUIRED

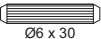
9 - DRAWER SIDE x10

10 - LARGE DRAWER BACK PANEL x3

13 - DRAWER BOTTOM SUPPORT BAR x3

14 - SMALL DRAWER BACK PANEL x2

HARDWARE REQUIRED

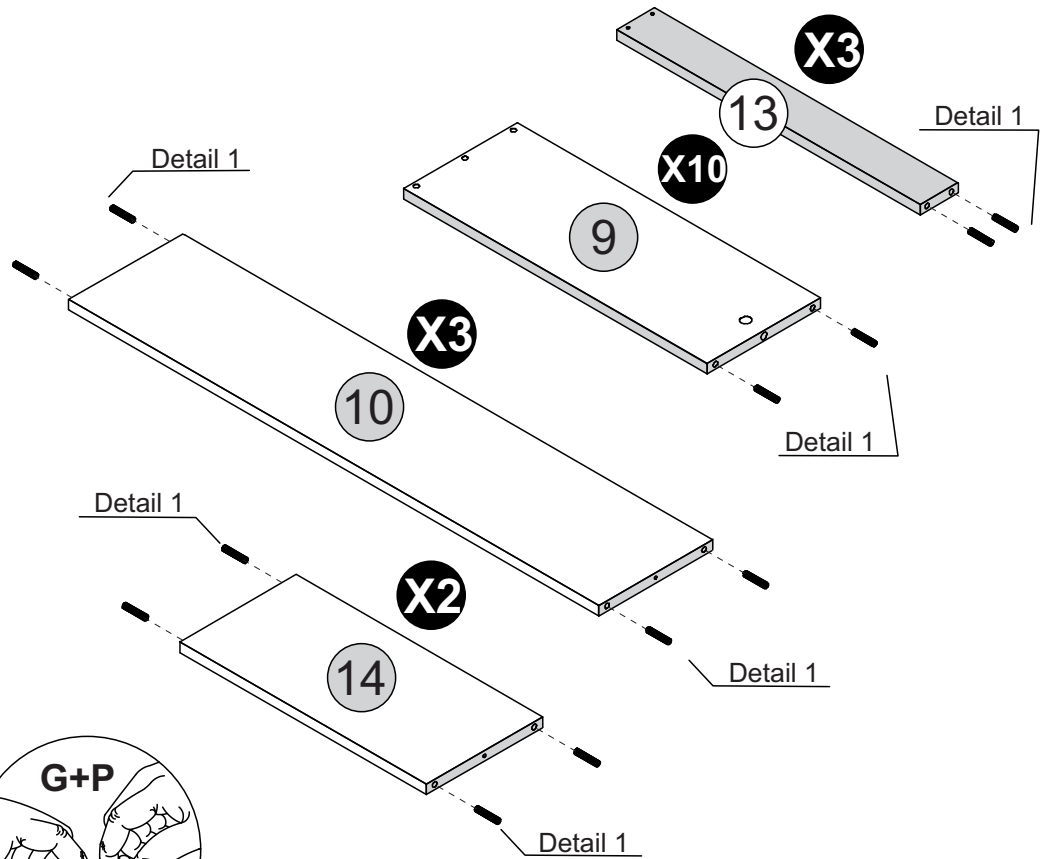
G  46

P  01

TOOLS REQUIRED



Detail 1




STEP 14

PARTS REQUIRED

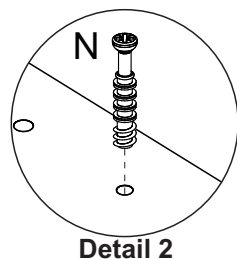
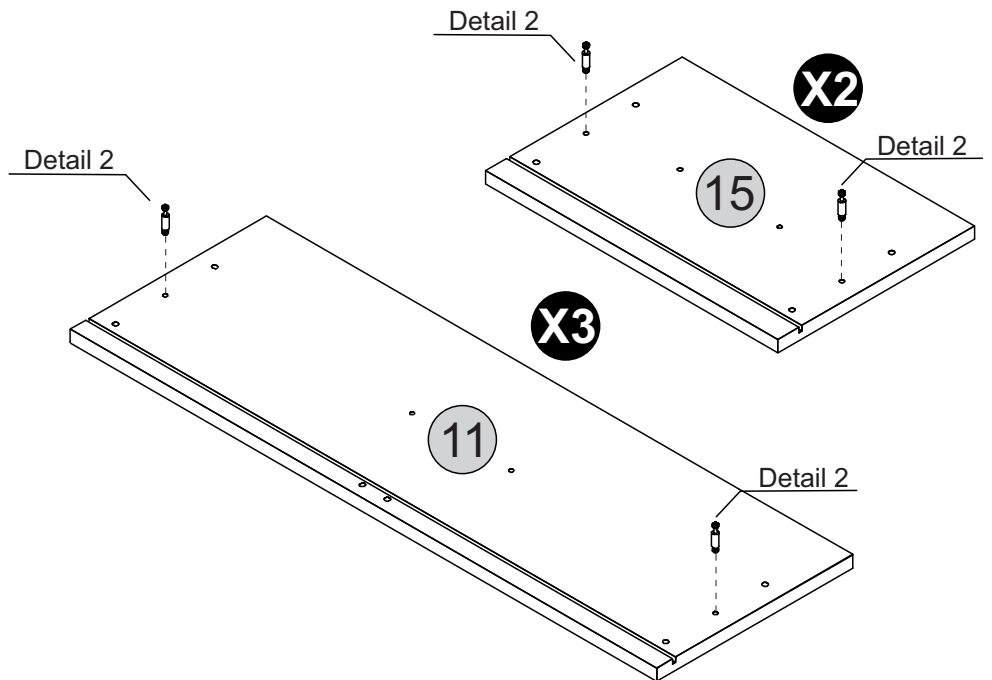
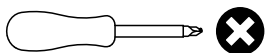
11 - LARGE DRAWER FRONT x3

15 - SMALL DRAWER FRONT x2

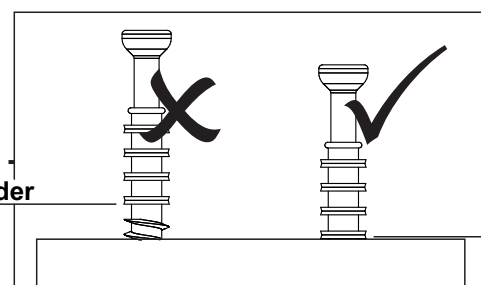
HARDWARE REQUIRED

N  10

TOOLS REQUIRED



Detail 2



Shoulder

Shoulder

STEP 15

PARTS REQUIRED

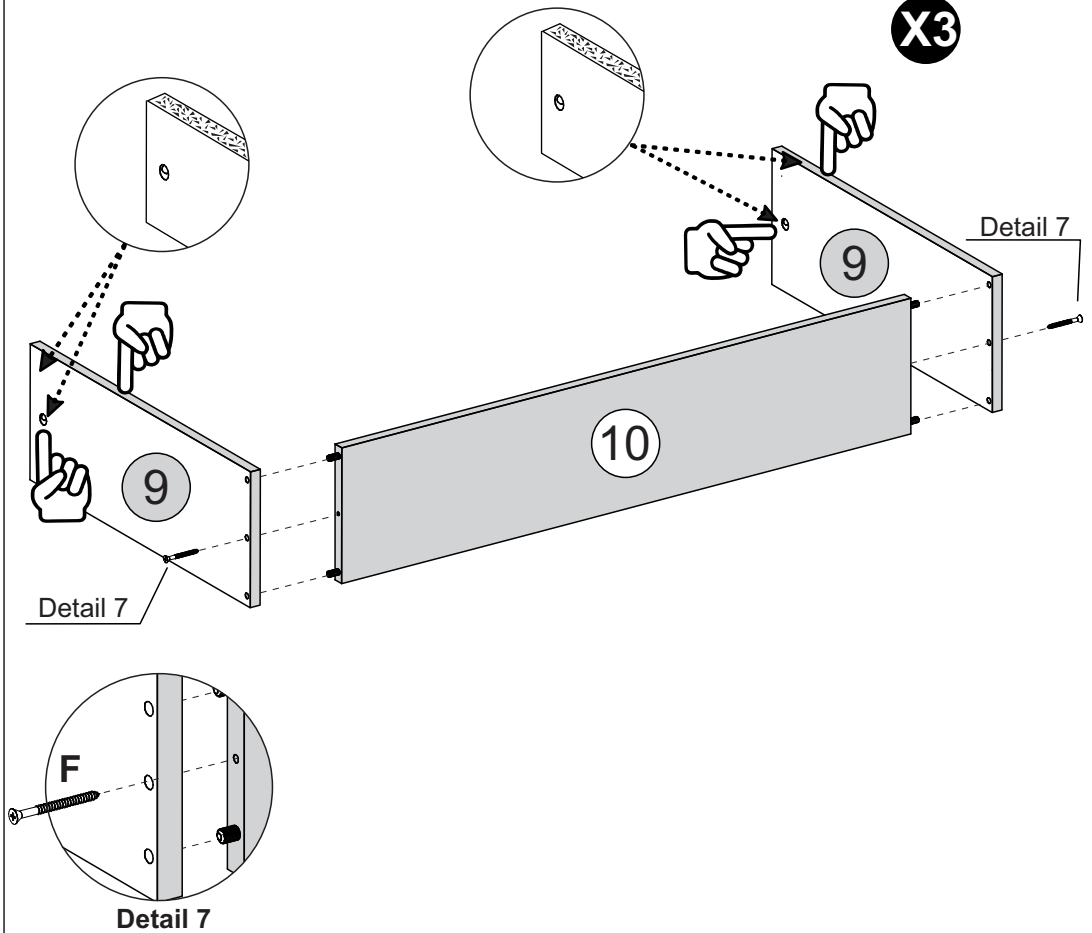
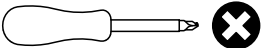
9 - DRAWER SIDE x6

10 - LARGE DRAWER BACK PANEL x3

HARDWARE REQUIRED

F  06
Ø4 x 50

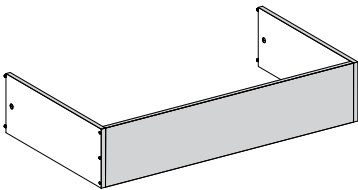
TOOLS REQUIRED



STEP 16

PARTS REQUIRED

11 - LARGE DRAWER FRONT x3

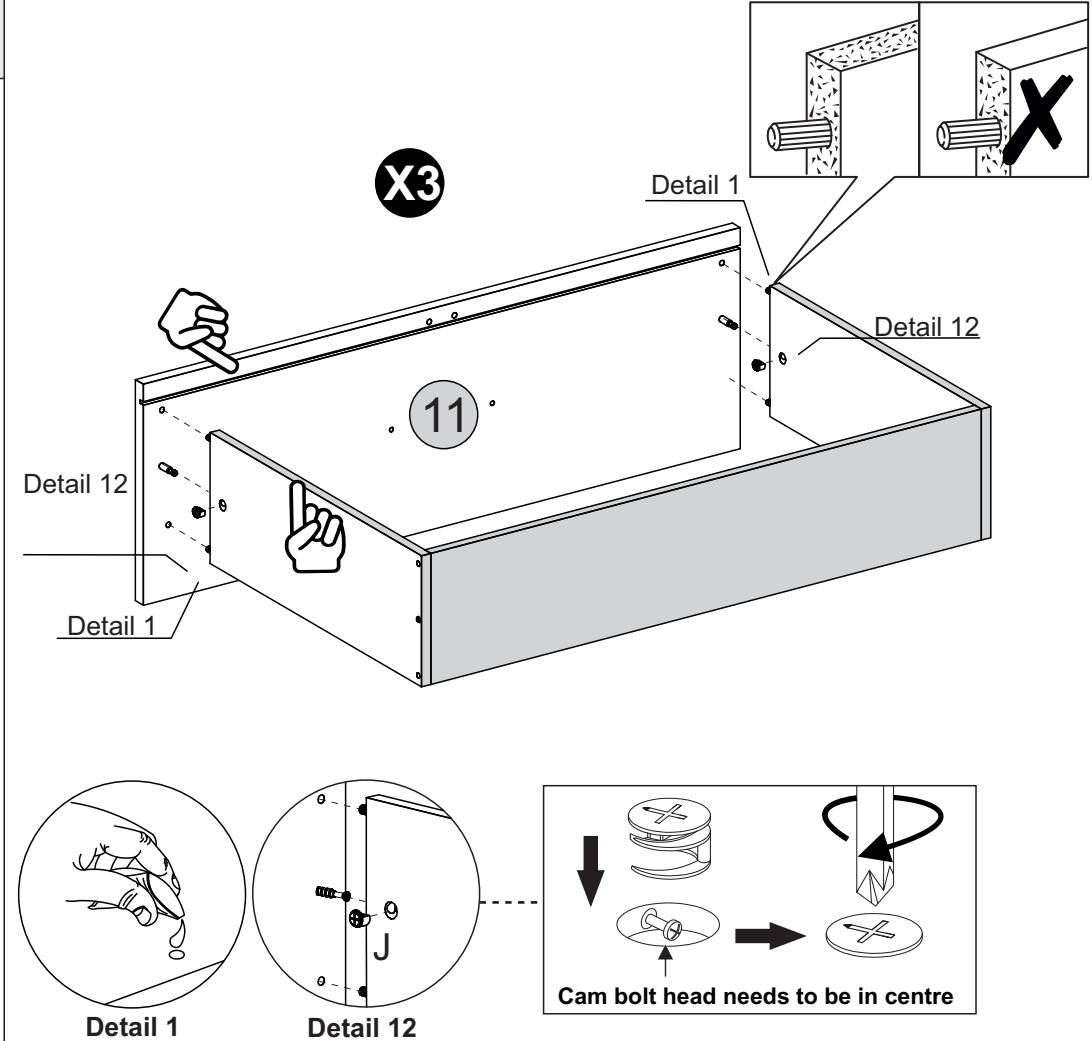
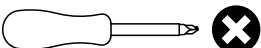


HARDWARE REQUIRED

J  06

P  01
GLUE

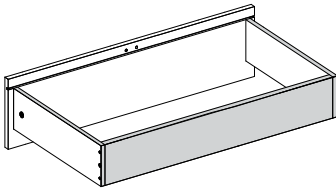
TOOLS REQUIRED



STEP 17

PARTS REQUIRED

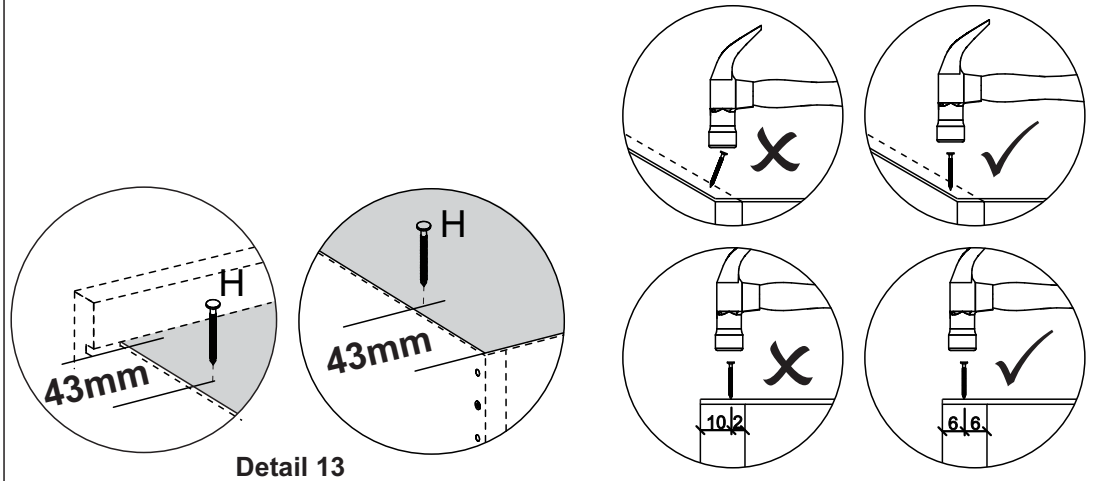
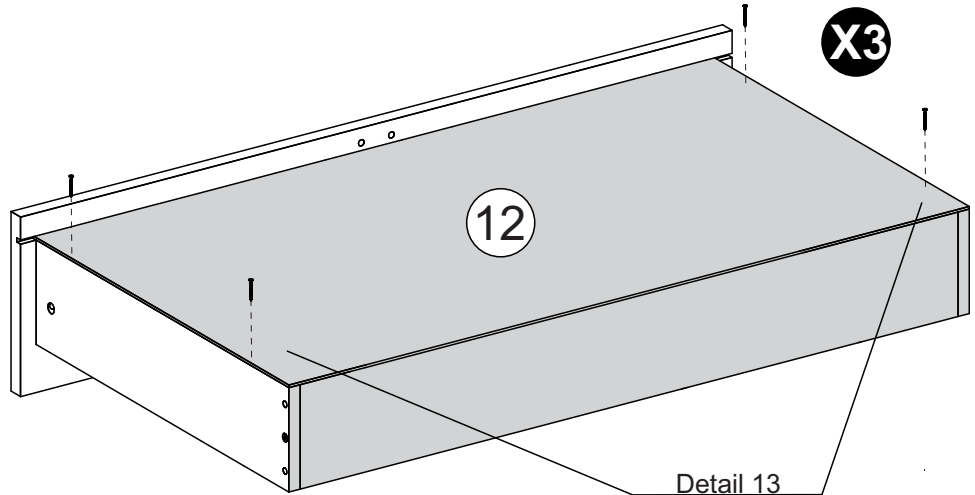
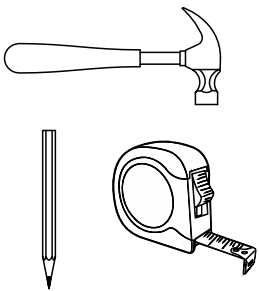
12 - LARGE DRAWER BOTTOM x3



HARDWARE REQUIRED



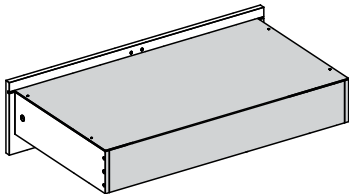
TOOLS REQUIRED



STEP 18

PARTS REQUIRED

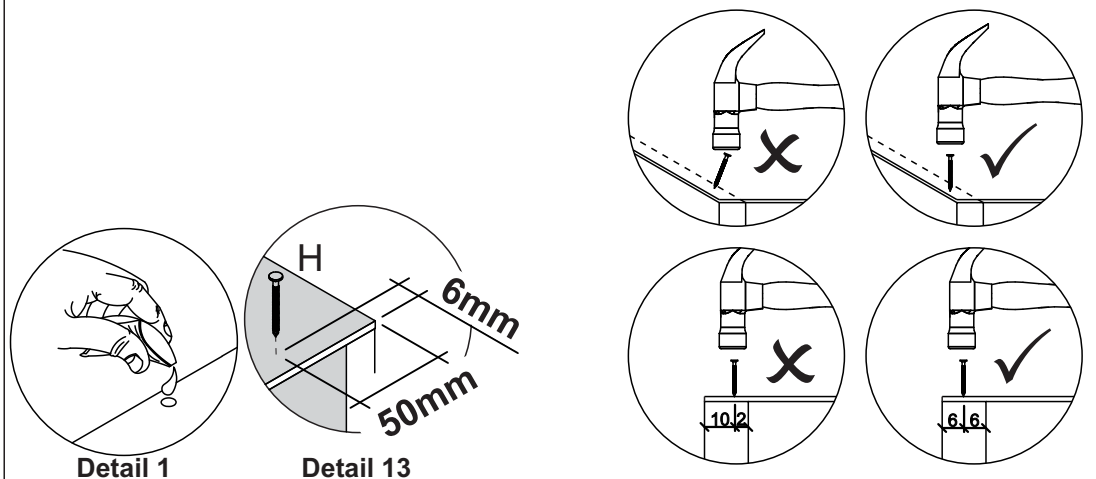
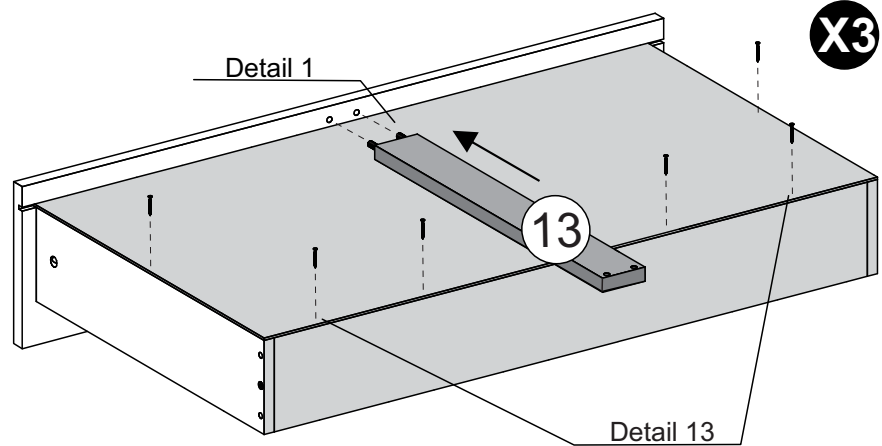
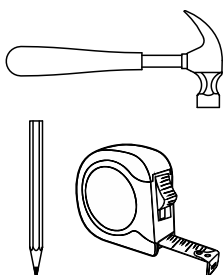
13 - DRAWER BOTTOM SUPPORT BAR x3



HARDWARE REQUIRED

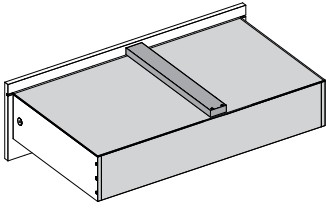


TOOLS REQUIRED

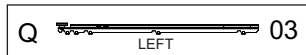
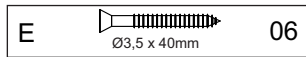
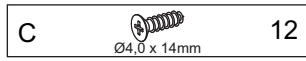


STEP 19

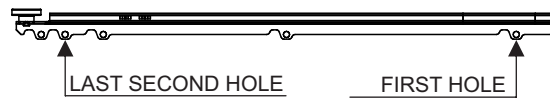
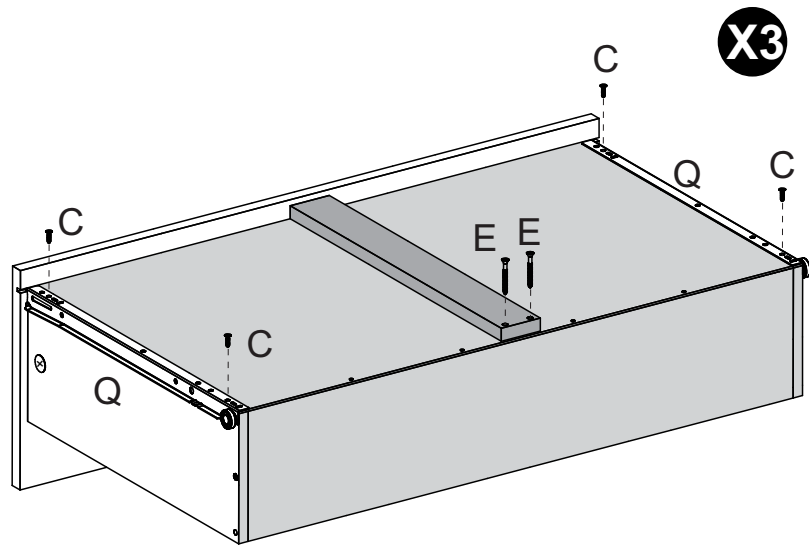
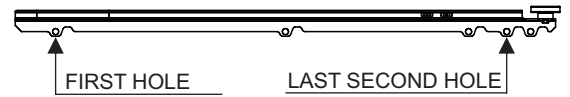
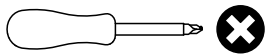
PARTS REQUIRED



HARDWARE REQUIRED

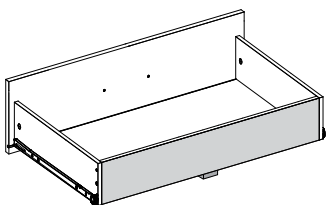


TOOLS REQUIRED

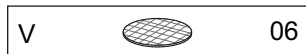
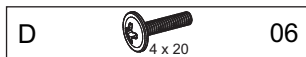


STEP 20

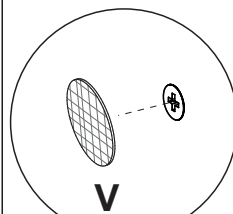
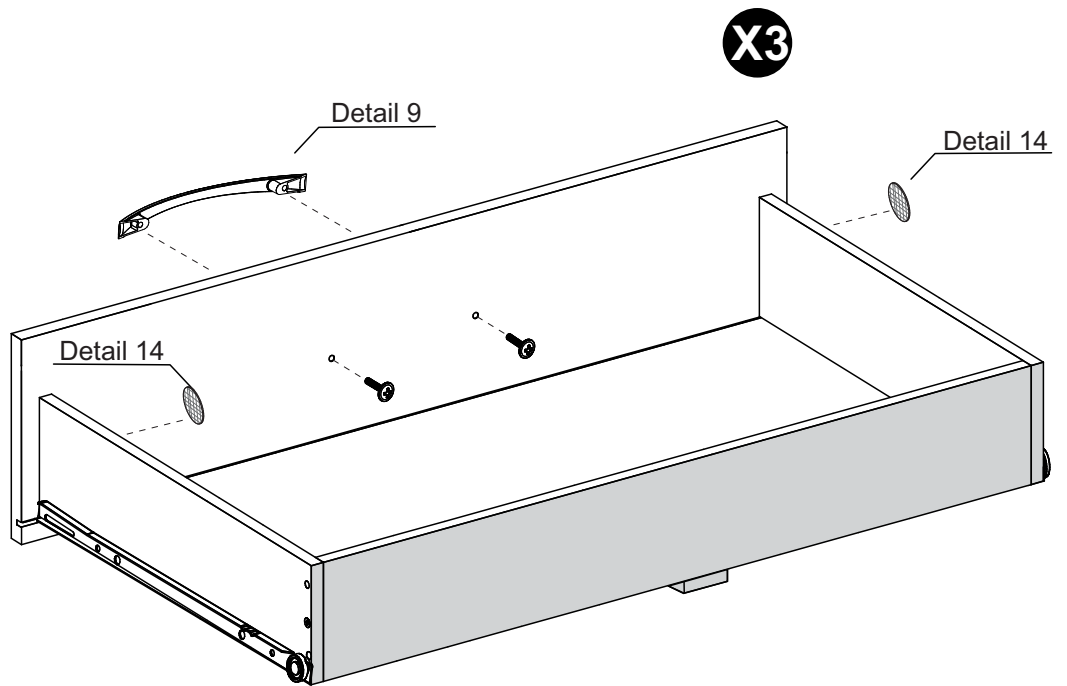
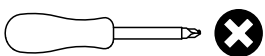
PARTS REQUIRED



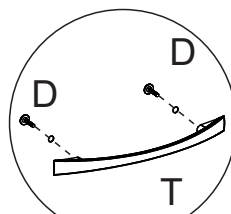
HARDWARE REQUIRED



TOOLS REQUIRED



Detail 14




Detail 9

STEP 21

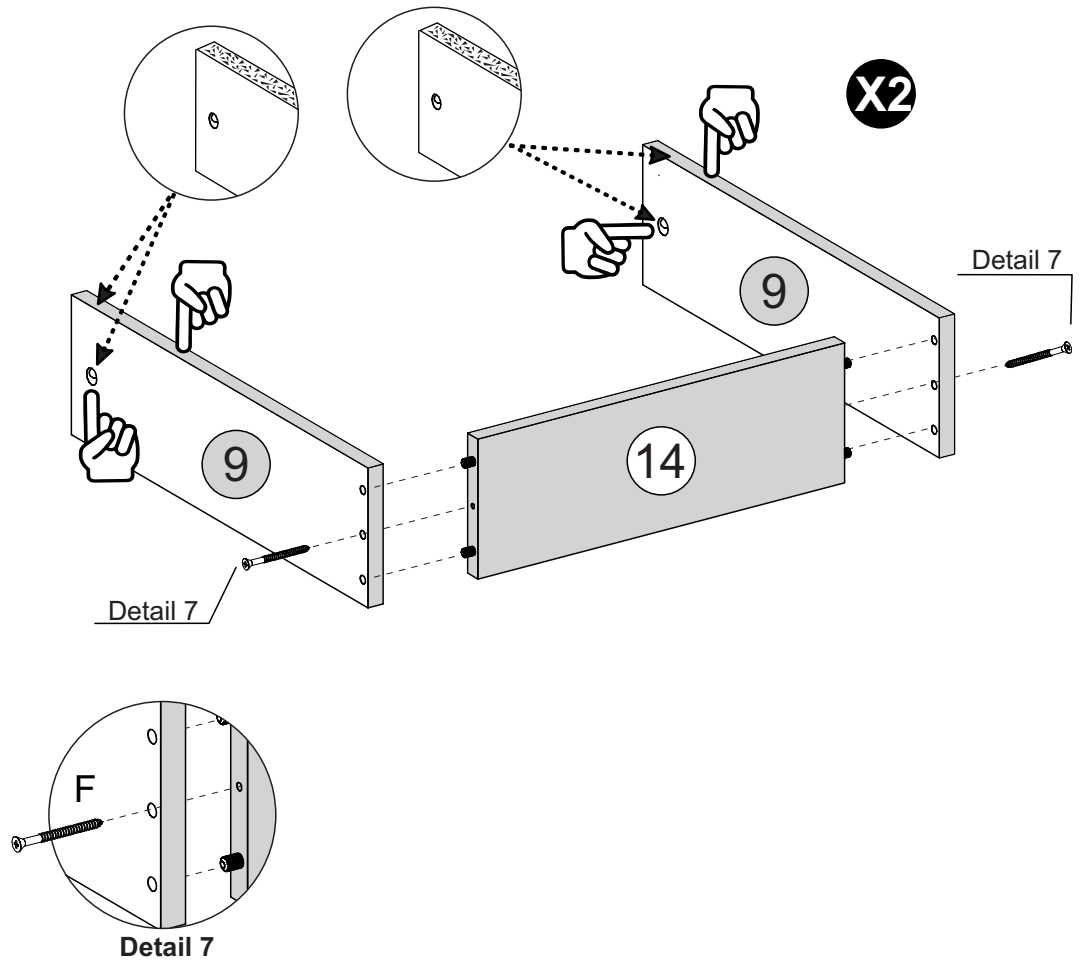
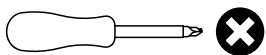
PARTS REQUIRED

- 9 - DRAWER SIDE x6
- 14 - DRAWER BACK PANEL x3

HARDWARE REQUIRED

- F  Ø4 x 50 04

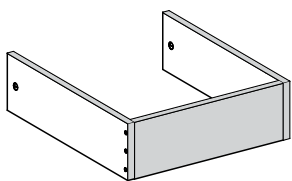
TOOLS REQUIRED





STEP 22

PARTS REQUIRED

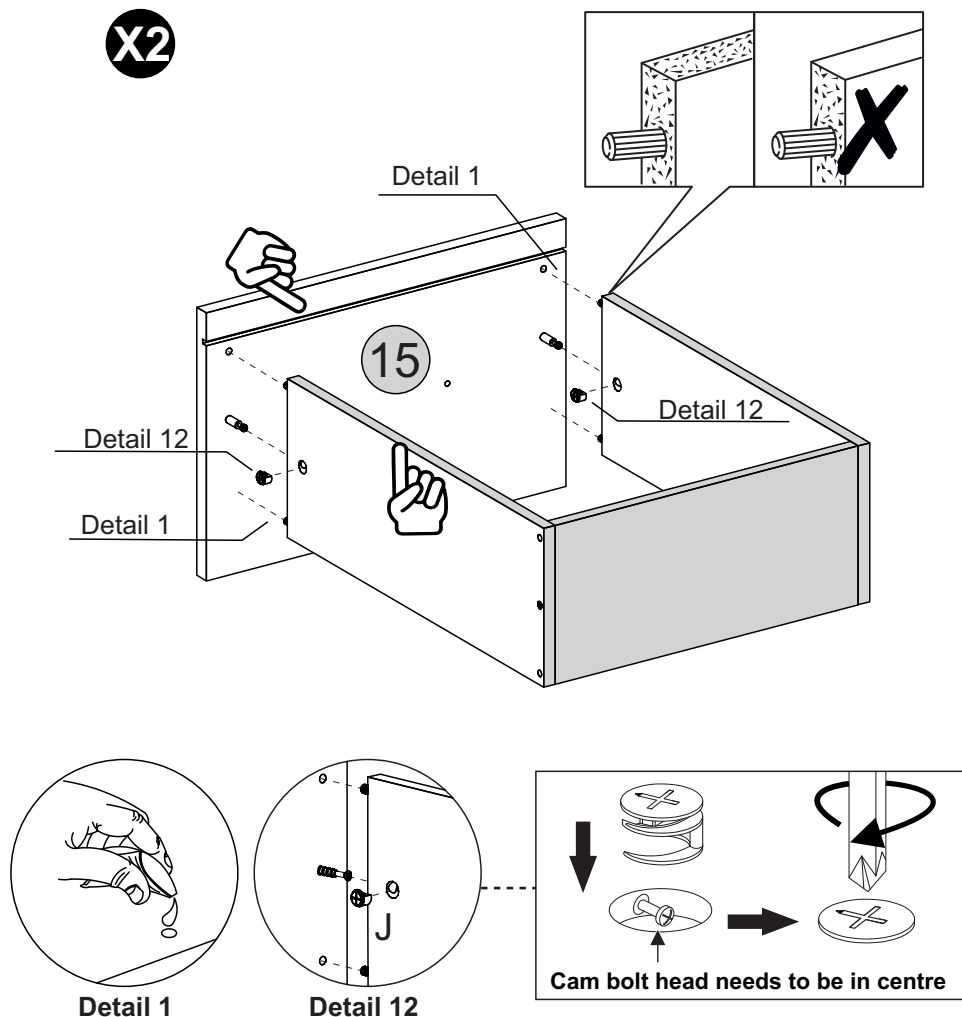
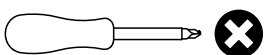
- 15 - SMALL DRAWER FRONT x3



HARDWARE REQUIRED

- J  04
- P  GLUE 01

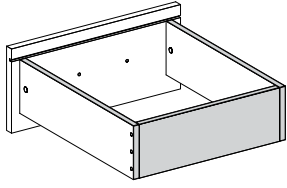
TOOLS REQUIRED




STEP 23

PARTS REQUIRED

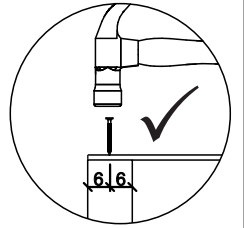
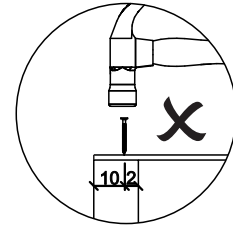
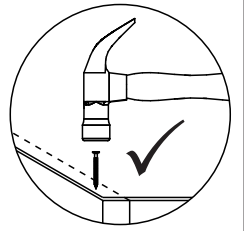
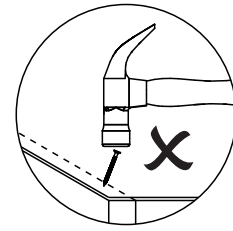
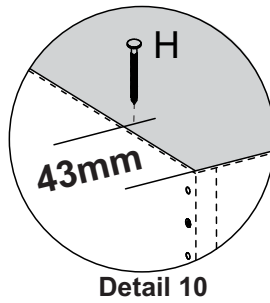
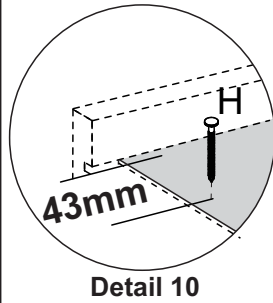
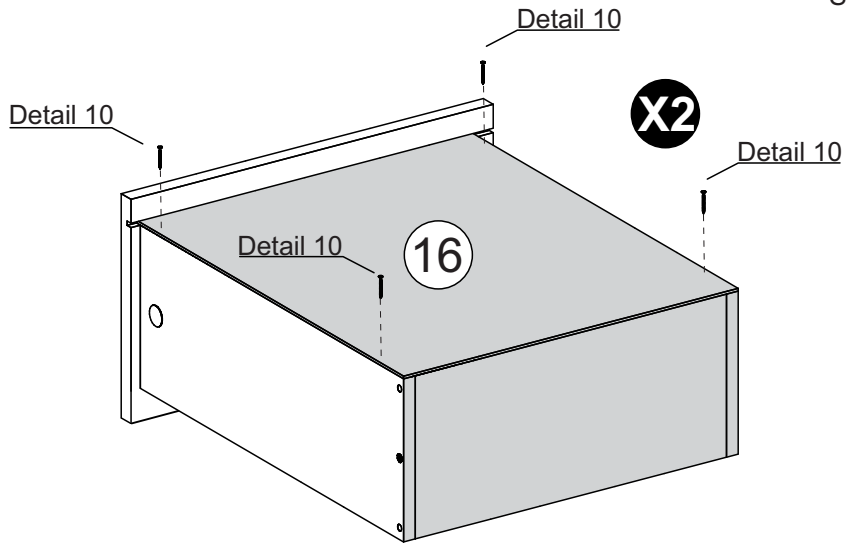
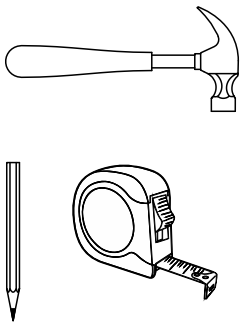
16 -DRAWER BOTTOM x2



HARDWARE REQUIRED

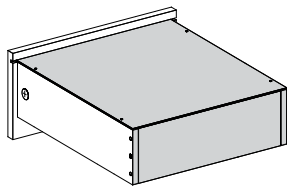
H  08
10 x 10

TOOLS REQUIRED



STEP 24

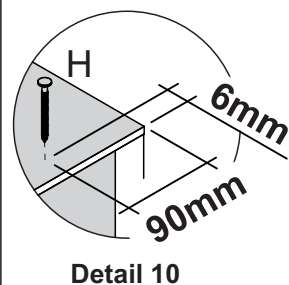
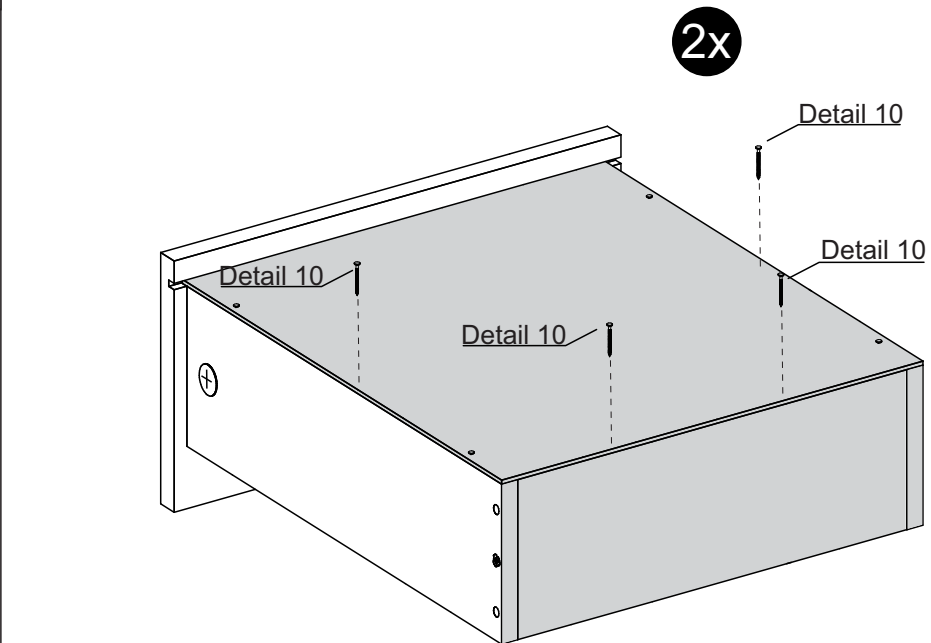
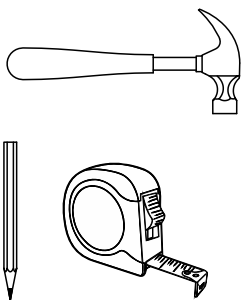
PARTS REQUIRED



HARDWARE REQUIRED

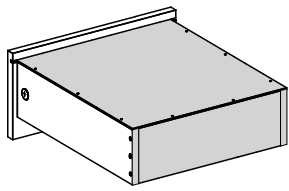
H  08
10 x 10

TOOLS REQUIRED

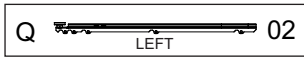
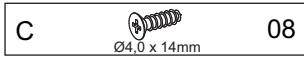


STEP 25

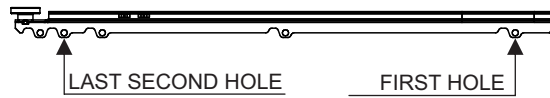
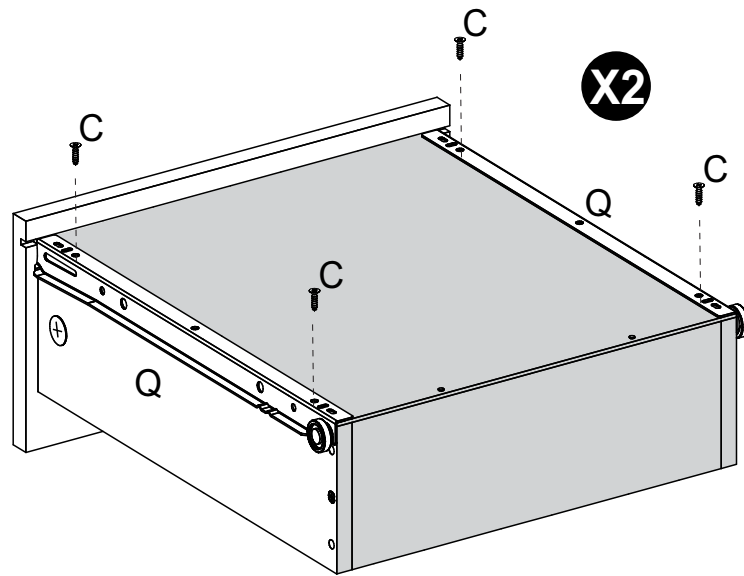
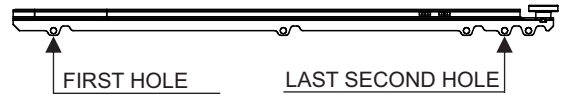
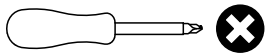
PARTS REQUIRED



HARDWARE REQUIRED

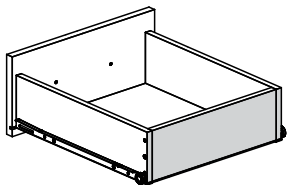


TOOLS REQUIRED

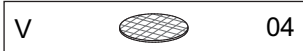


STEP 26

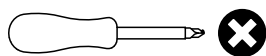
PARTS REQUIRED



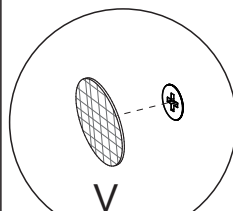
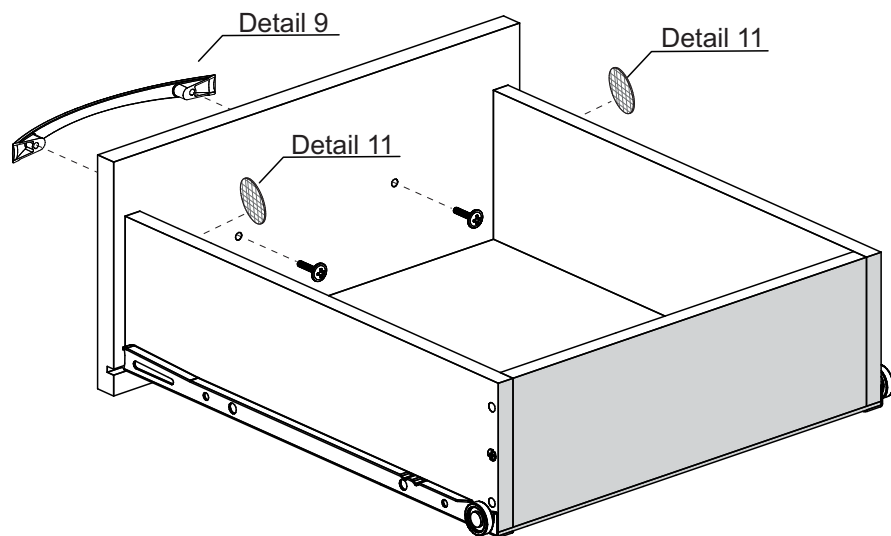
HARDWARE REQUIRED



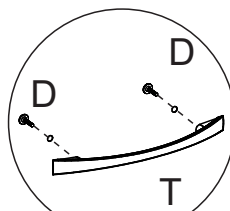
TOOLS REQUIRED



X2



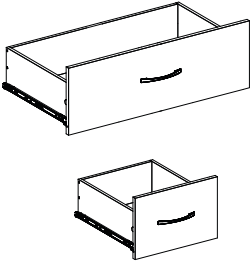
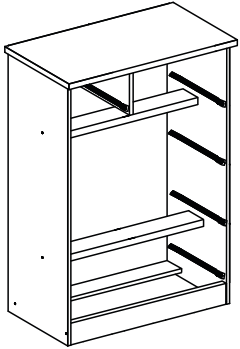
Detail 11



Detail 9

STEP 27

PARTS REQUIRED



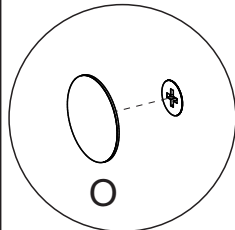
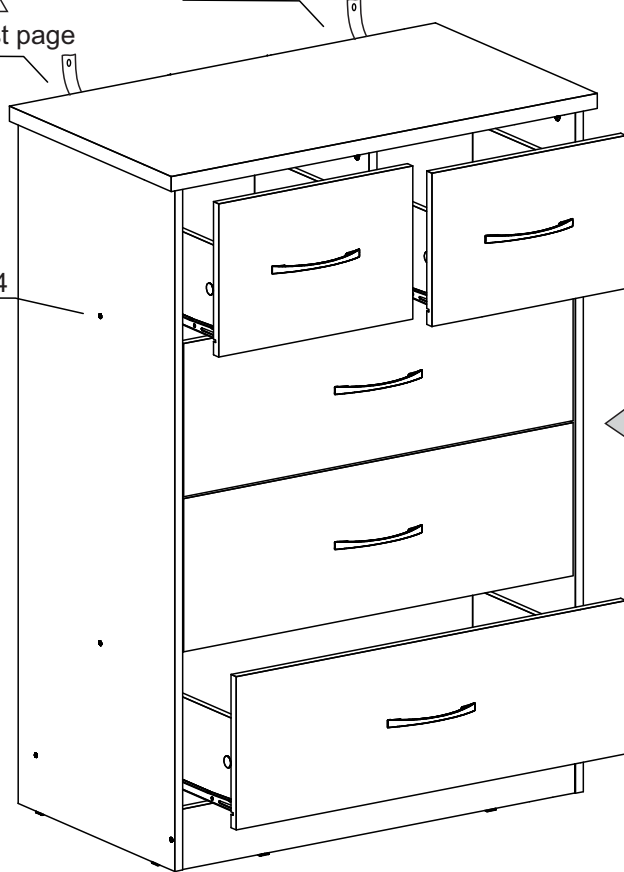
HARDWARE REQUIRED



TOOLS REQUIRED



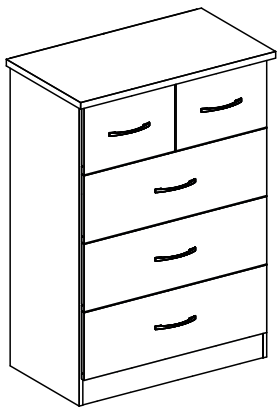
Detail 14



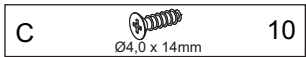
Detail 14

STEP 28

PARTS REQUIRED



HARDWARE REQUIRED



TOOLS REQUIRED

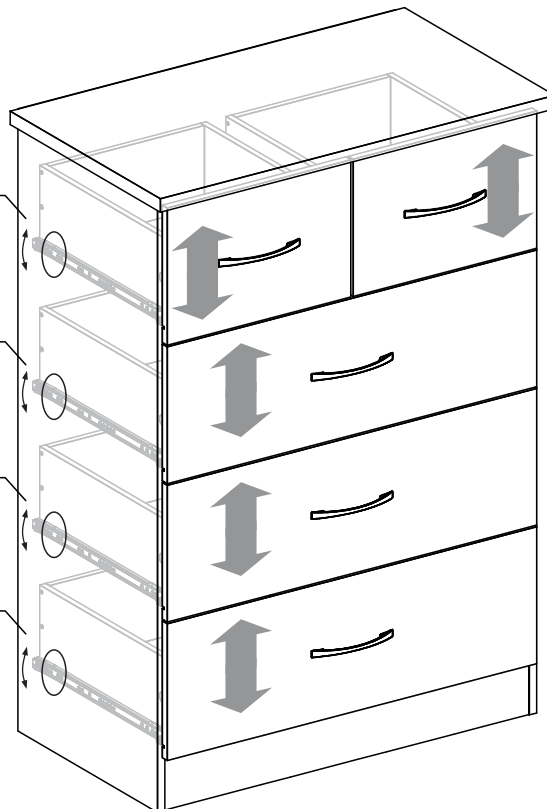
TIP
If desired, after assembly use an alcohol cleaner to erase the number printed on the parts.

Detail 15

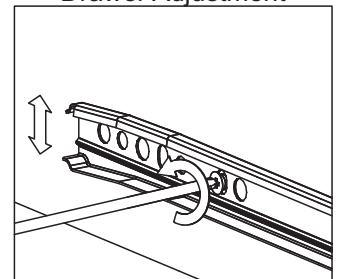
Detail 15

Detail 15

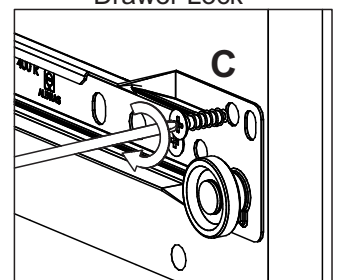
Detail 15



Drawer Adjustment



Drawer Lock



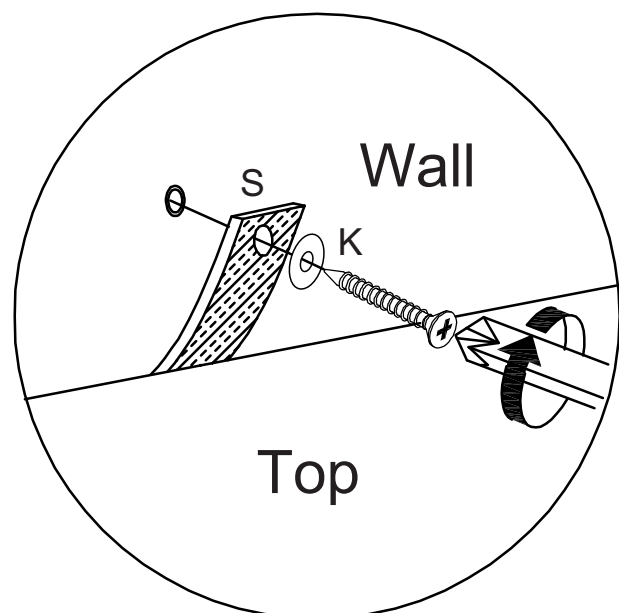
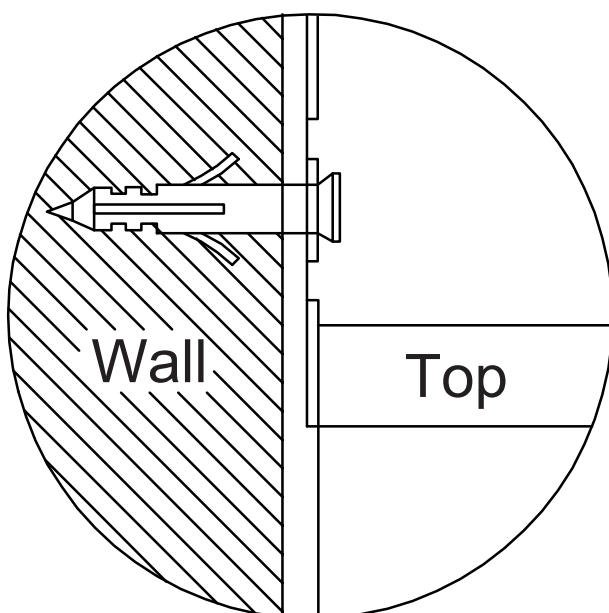
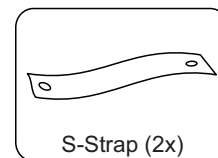
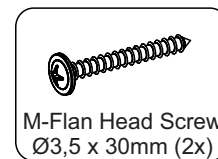
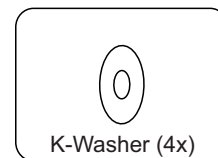
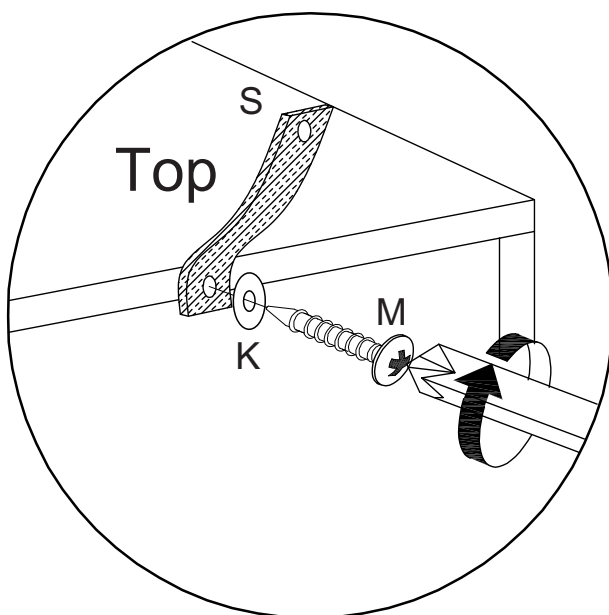
Detail 15

WARNING

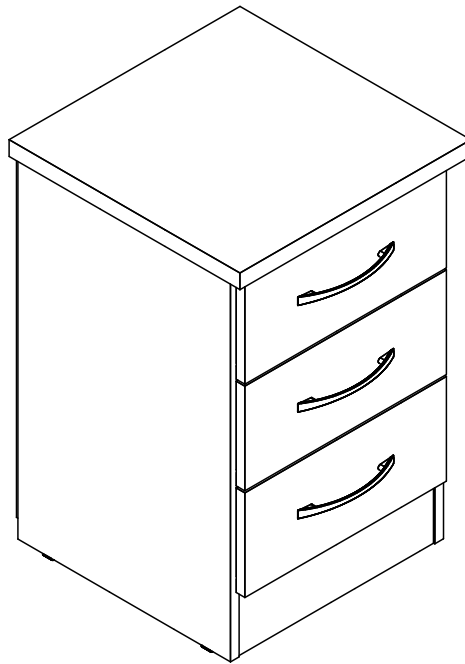
Serious or fatal injuries can occur from furniture tipping over. To prevent the furniture from tipping over we recommend that it is permanently fixed to the wall.

Wall fixings are not supplied with this product as different wall materials require different types of fixing devices.

Please make sure you use fixings suitable for the walls in your home.



NEVADA 3 DRAWER BEDSIDE ASSEMBLY INSTRUCTIONS



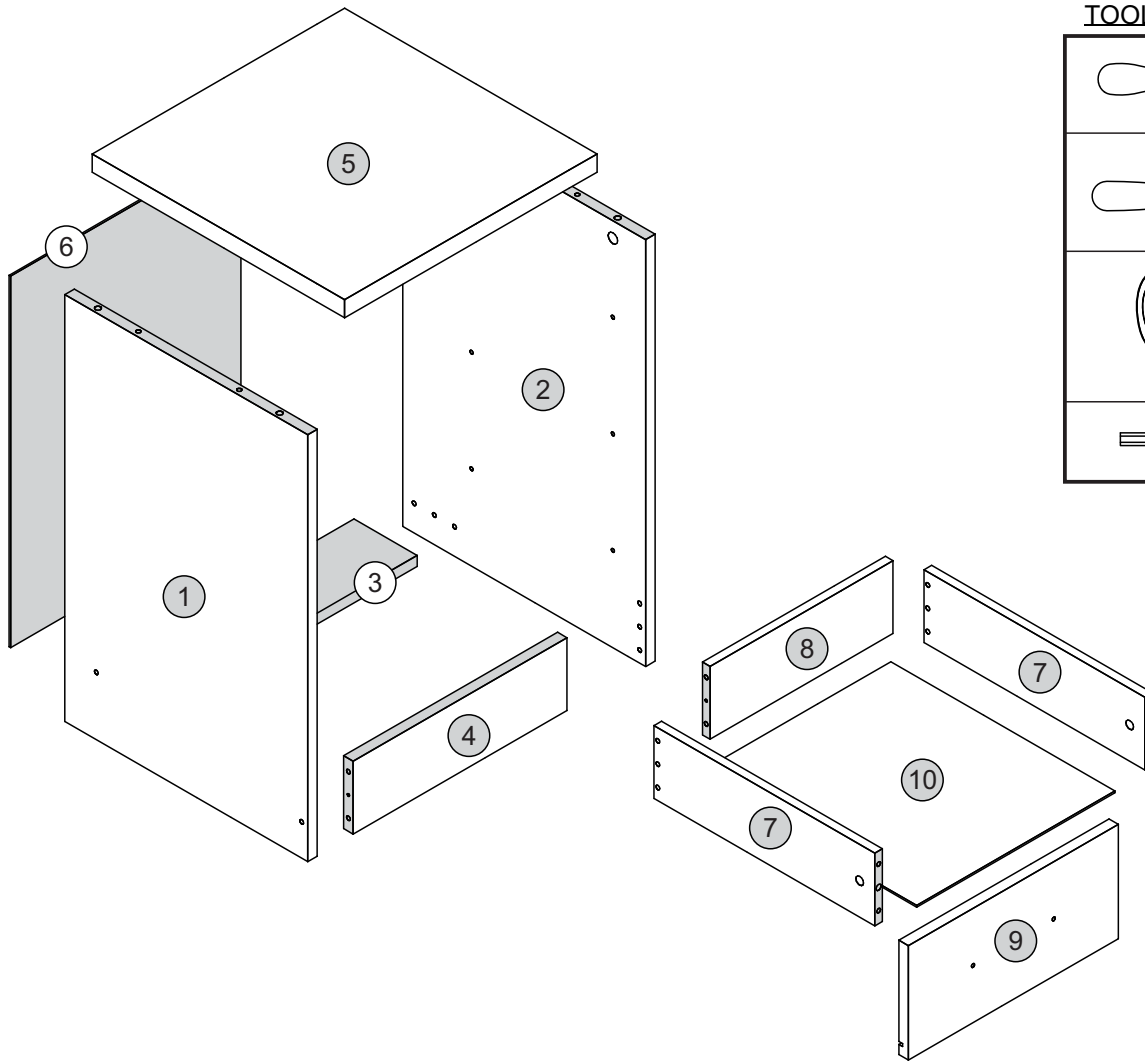
IMPORTANT FOR DOMESTIC USE ONLY

PLEASE READ BEFORE YOU CONTINUE FURTHER

CARE AND MAINTENANCE

After unpacking this product please keep the original packaging in case it needs to be returned for any reason.

- Please ensure all fittings and parts are present before commencing with assembly.
- Never drag or push products as this could cause damage to the joints making it inferior.
- We strongly recommend that you keep children away from your work area.
- We recommend that you lay a blanket or sheet on the floor to avoid damage to both your floor and the product.
- Assemble this product as close to its final position as possible.
- Do not place this product next to a radiator or in direct sunlight.
- Do not drag or push items across your high gloss furniture as this may cause the surface to scratch
- Wood is a natural product and may expand if subjected to damp and may shrink or crack if subjected to heat. Therefore it is recommended that room temperature is maintained, with no sudden temperature fluctuations.
- Make sure any spillage is wiped off immediately.
- Do not place hot or chilled items directly on to the surface, use a place mat or marking will occur.
- For general cleaning use a soft cotton or micro fibre cloth, and do not use detergents of any kind.
- From time to time it may be necessary to tighten fittings, regular inspections should be carried out.
- Do not place on a wet or damp floor as staining may occur to your floor.




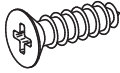
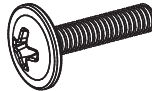
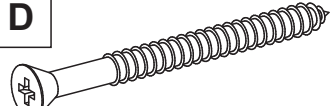


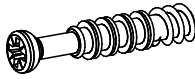





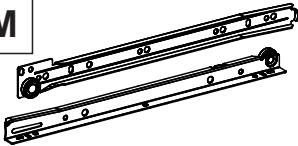
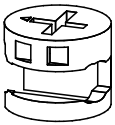

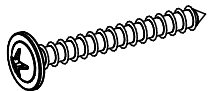

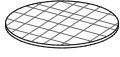
PARTS LIST

Please Note:
The below parts have all been stamped with the part number to help identify them during assembly.

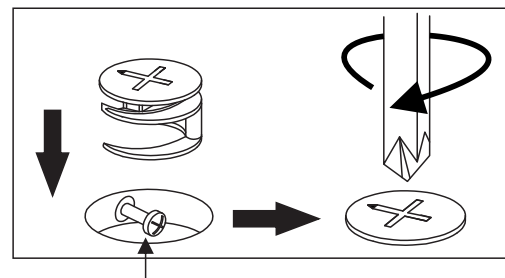
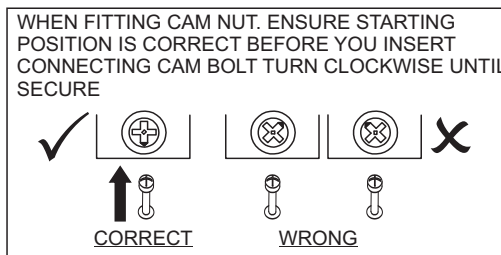
Part Number	Part Description	Quantity	Carton
01	Left Side Panel	1	1/1
02	Right Side Panel	1	1/1
03	Back Baseboard	1	1/1
04	Front Baseboard	1	1/1
05	Top Panel	1	1/1
06	Back Panel	1	1/1
07	Drawer Side	6	1/1
08	Drawer Back Panel	3	1/1
09	Drawer Front	3	1/1
10	Drawer Bottom	3	1/1

FITTINGS LIST

SEC/SH/05/22/CA8

<p>A</p>  <p>Flat Head Screw 1/+ Ø6,0 x 10mm (12x)</p>	<p>B</p>  <p>Flat Head Screw 2/+ Ø4,0 x 14mm (18x)</p>	<p>C</p>  <p>Flan Head Screw 1/+ Ø4,0 x 20mm (6x)</p>	<p>D</p>  <p>Flat Head Screw 2/+ Ø4,0 x 50mm (10x)</p>
<p>E</p>  <p>2/+ Dowel Ø6,0 x 30mm (36x)</p>	<p>F</p>  <p>2/+ Nail 10 x 10 (42x)</p>	<p>G</p>  <p>2/+ Cam Bolt (10x)</p>	<p>H</p>  <p>1/+ Cam Nut Ø12mm (6x)</p>
<p>I</p>  <p>1/+ Plastic Foot (4x)</p>	<p>J</p>  <p>2/+ Hole Plugs (4x)</p>	<p>K</p>  <p>Glue (1x)</p>	<p>L</p>  <p>Handle (3x)</p>
<p>M</p>  <p>Drawer Runners (3x)</p>	<p>N</p>  <p>1/+ Cam Nut Ø15mm (4x)</p>	<p>O</p>  <p>Strap (1x)</p>	<p>P</p>  <p>1/+ Flan Head Screw Ø3,5 x 30mm (1x)</p>
<p>Q</p>  <p>1/+ Washer (2x)</p>	<p>R</p>  <p>2/+ Hole Plugs (6x)</p>		

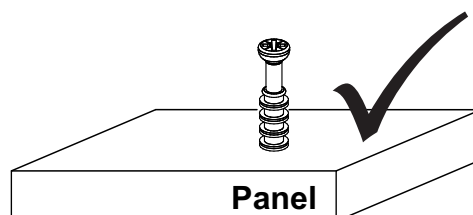
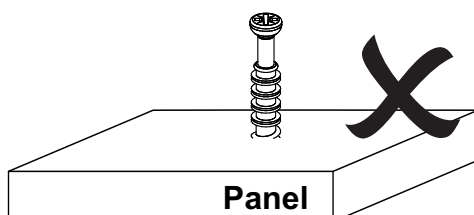
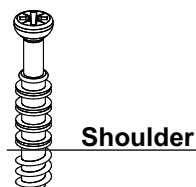
TIPS FOR FITTINGS CAM-LOCKS



Cam bolt head needs to be in centre

CAMBOLT

Tighten until shoulder in flush with panel. Do not overtighten or undertighten (see example beside)




STEP 1


SEC/SH/05/22/CA8

PARTS REQUIRED

1 - LEFT SIDE PANEL x1

HARDWARE REQUIRED

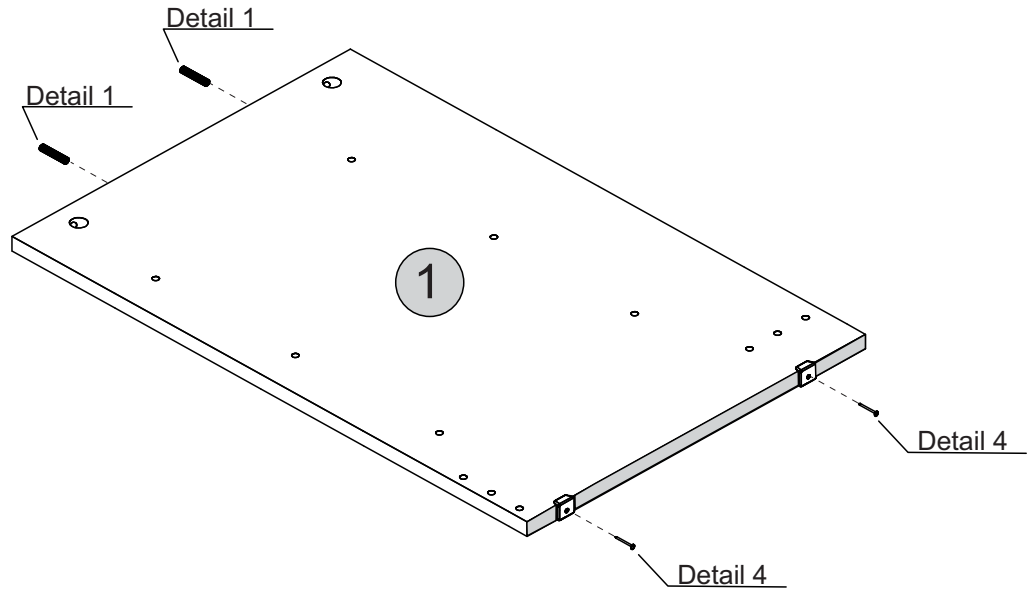
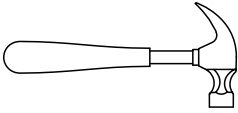
E  02
Ø6,0 x 30mm

F  02
10 x 10

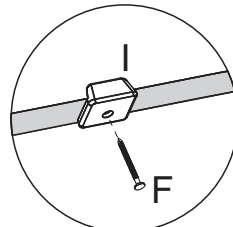
I  02

K  01
GLUE

TOOLS REQUIRED



Detail 1




Detail 4


STEP 2

PARTS REQUIRED

2 - RIGHT SIDE PANEL x1

HARDWARE REQUIRED

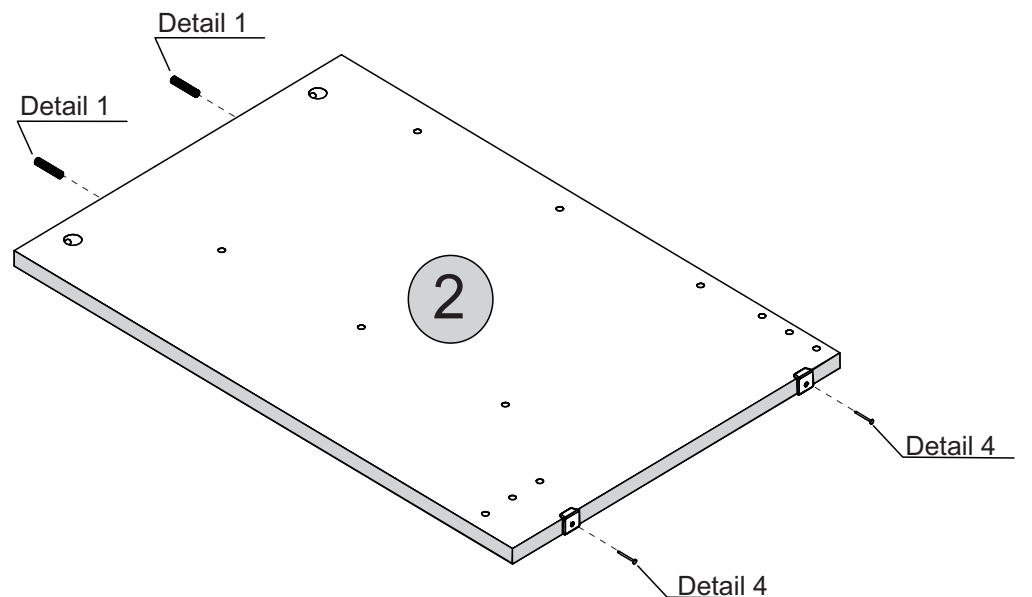
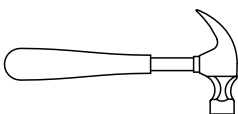
E  02
Ø6,0 x 30mm

F  02
10 x 10

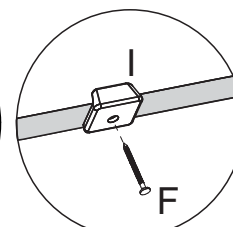
I  02

K  01
GLUE

TOOLS REQUIRED



Detail 1



Detail 4


STEP 3

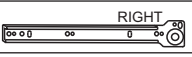
PARTS REQUIRED

2 - RIGHT SIDE PANEL x1

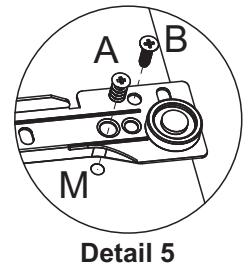
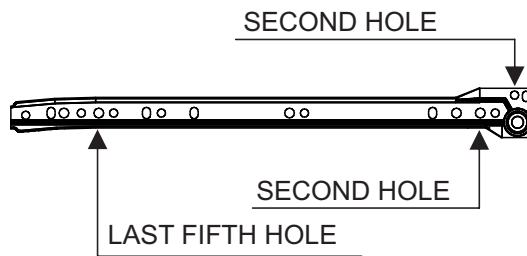
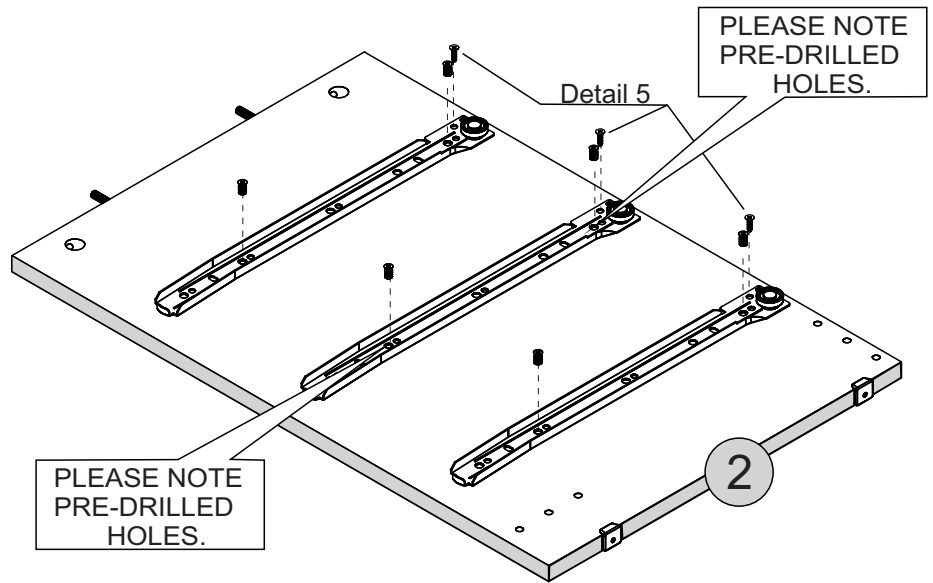
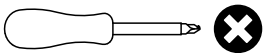
HARDWARE REQUIRED

A  06
Ø6,0 x 10mm

B  03
Ø4,0 x 14mm

M  03
RIGHT

TOOLS REQUIRED





STEP 4

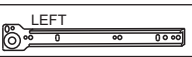
PARTS REQUIRED

1 - LEFT SIDE PANEL x1

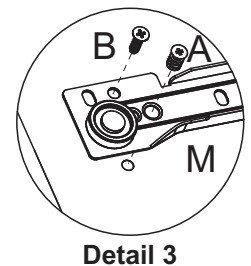
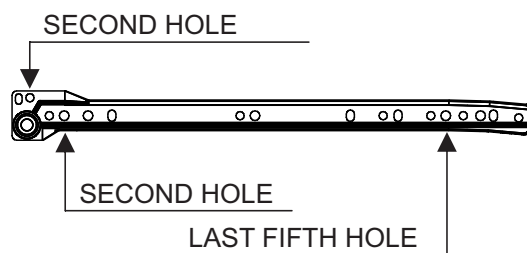
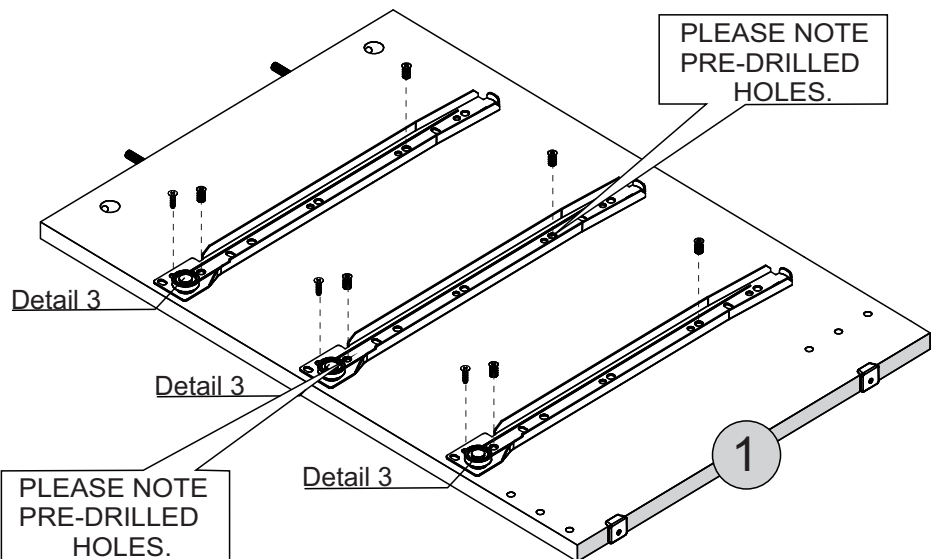
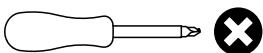
HARDWARE REQUIRED

A  06
Ø6,0 x 10mm

B  03
Ø4,0 x 14mm

M  03
LEFT

TOOLS REQUIRED



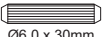
STEP 5

PARTS REQUIRED

3 - BACK BASEBOARD x1

4 - FRONT BASEBOARD x1

HARDWARE REQUIRED

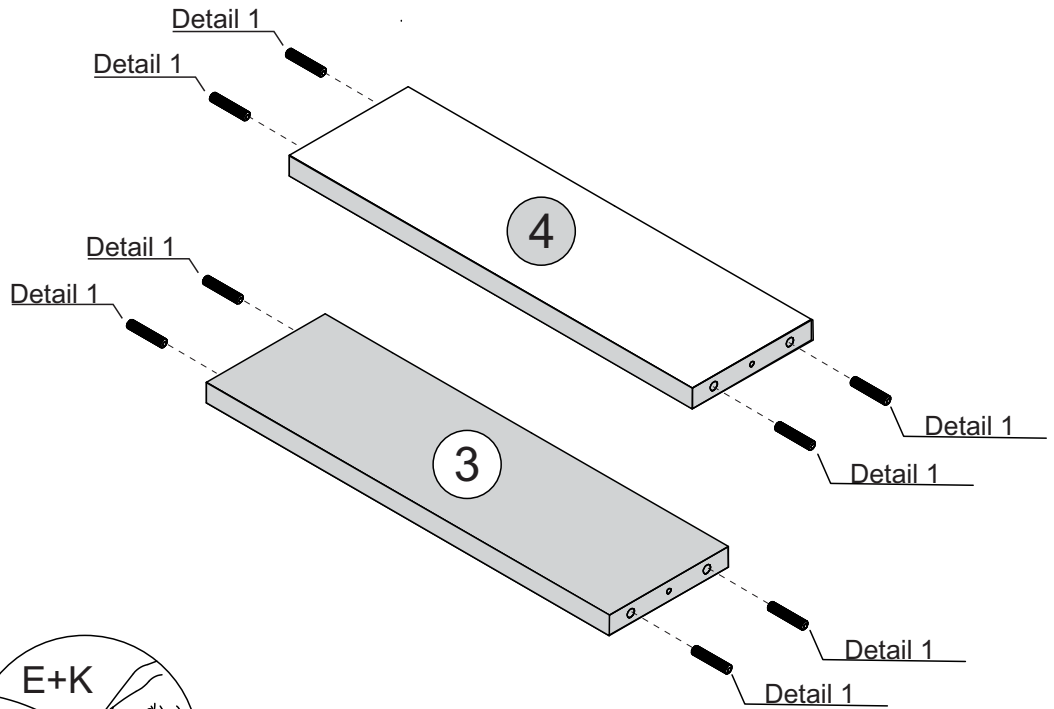
E  08
Ø6,0 x 30mm

K  01
GLUE

TOOLS REQUIRED



Detail 1



STEP 6

PARTS REQUIRED

2 - RIGHT SIDE PANEL x1

3 - BACK BASEBOARD x1

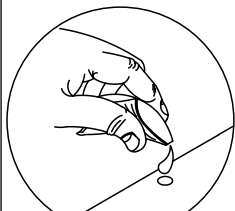
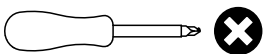
4 - FRONT BASEBOARD x1

HARDWARE REQUIRED

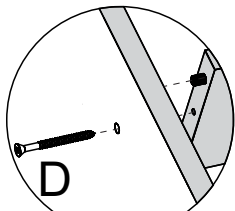
D  02
Ø4 x 50mm

K  01
GLUE

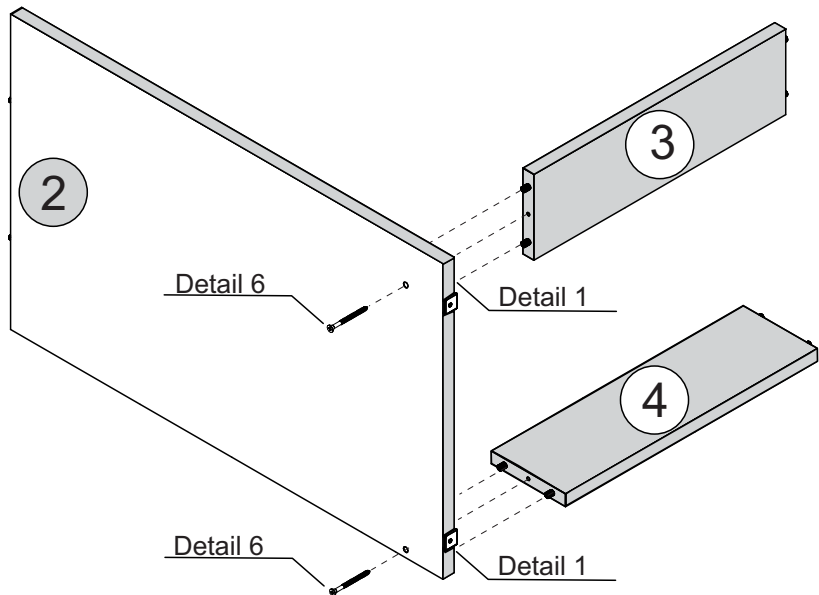
TOOLS REQUIRED



Detail 1



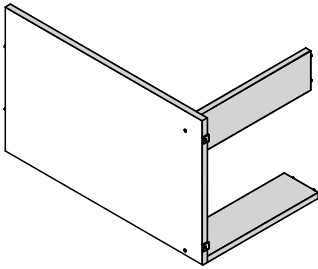
Detail 6




STEP 7

PARTS REQUIRED

1 - LEFT SIDE PANEL x1

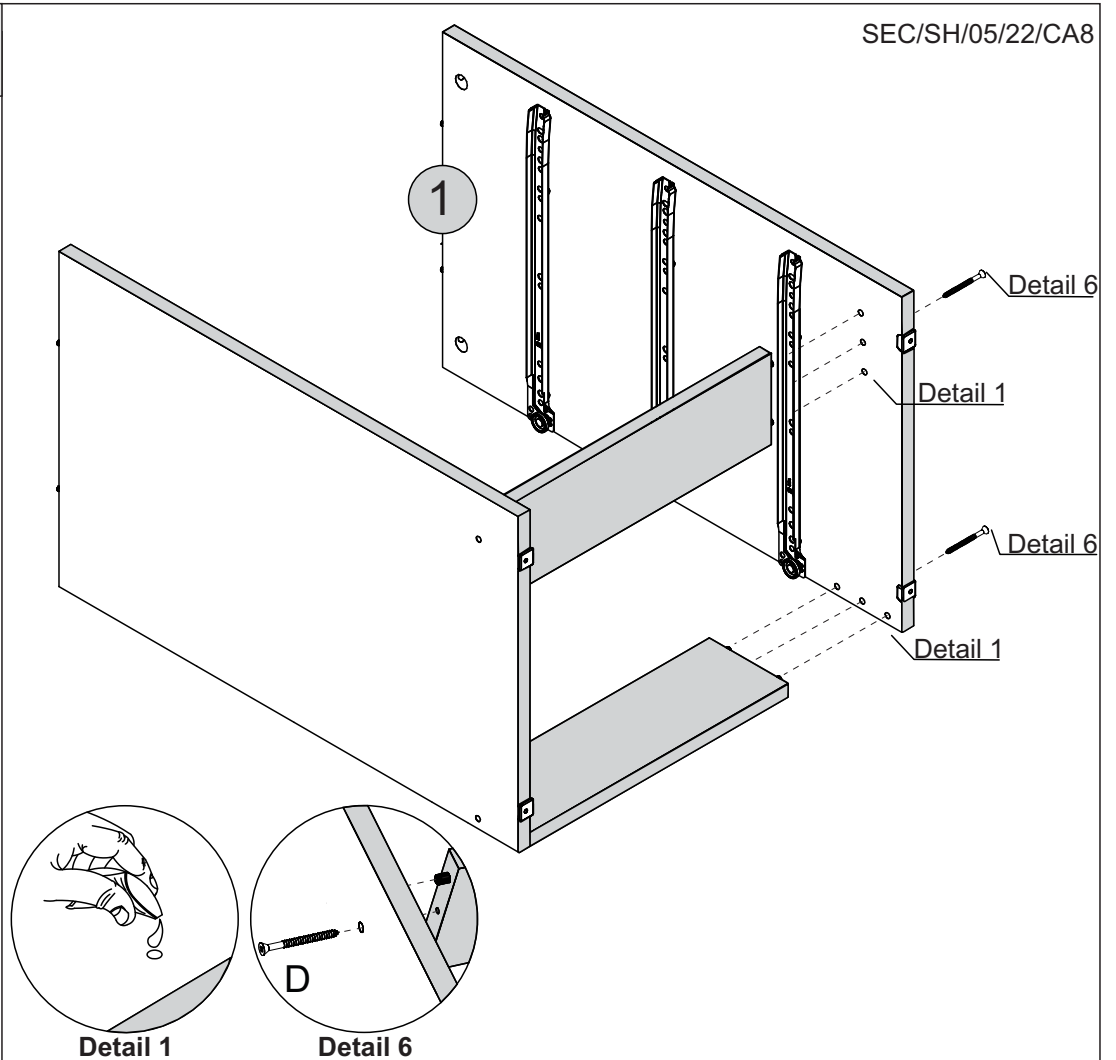
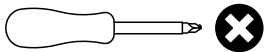


HARDWARE REQUIRED

D  02
Ø4 x 50mm

K  01
GLUE

TOOLS REQUIRED




STEP 8

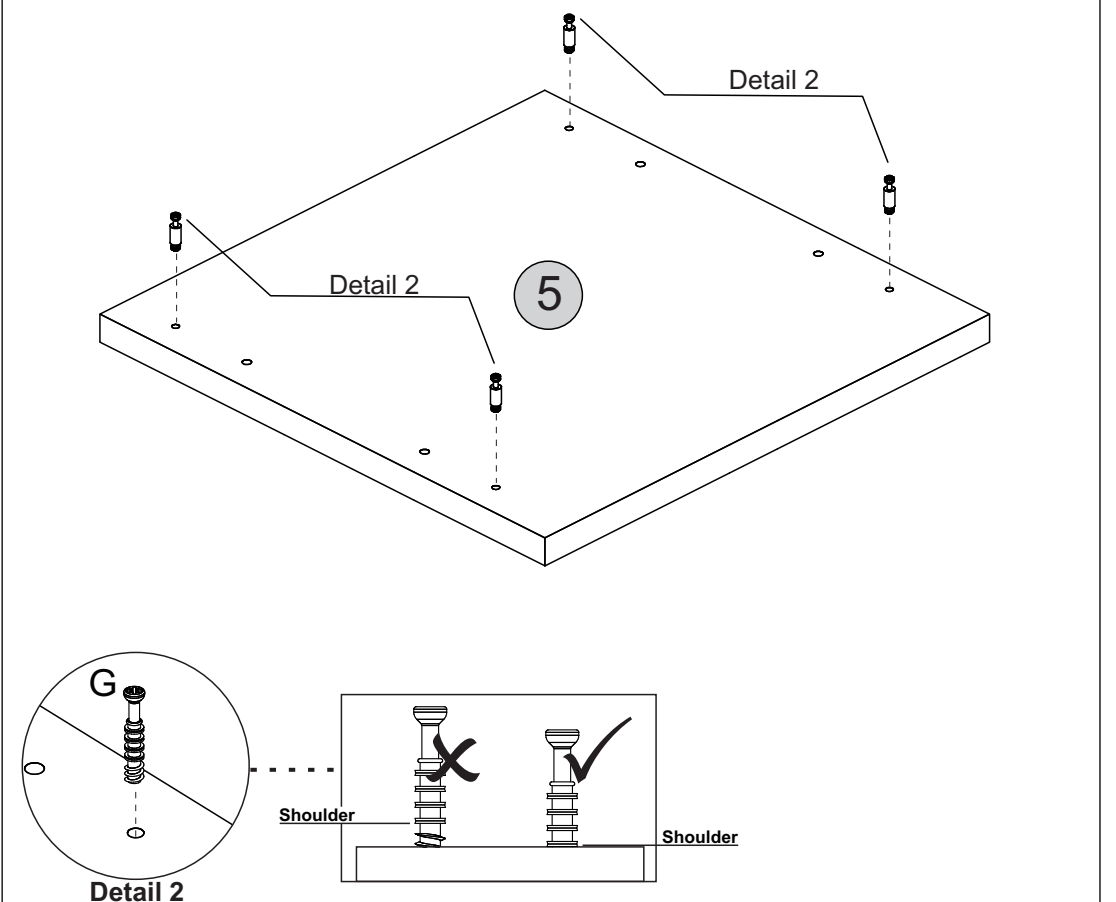
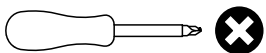
PARTS REQUIRED

5 - TOP PANEL x1

HARDWARE REQUIRED

G  04

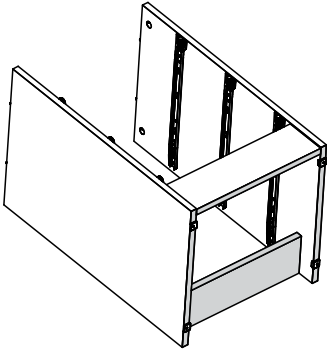
TOOLS REQUIRED



STEP 9

PARTS REQUIRED

5 - TOP PANEL x1

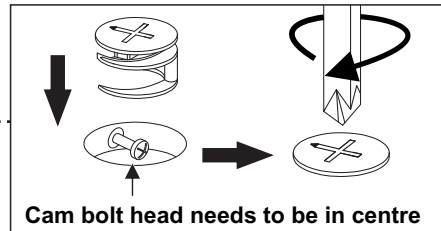
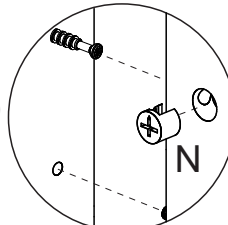
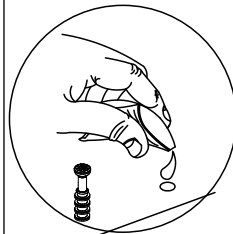
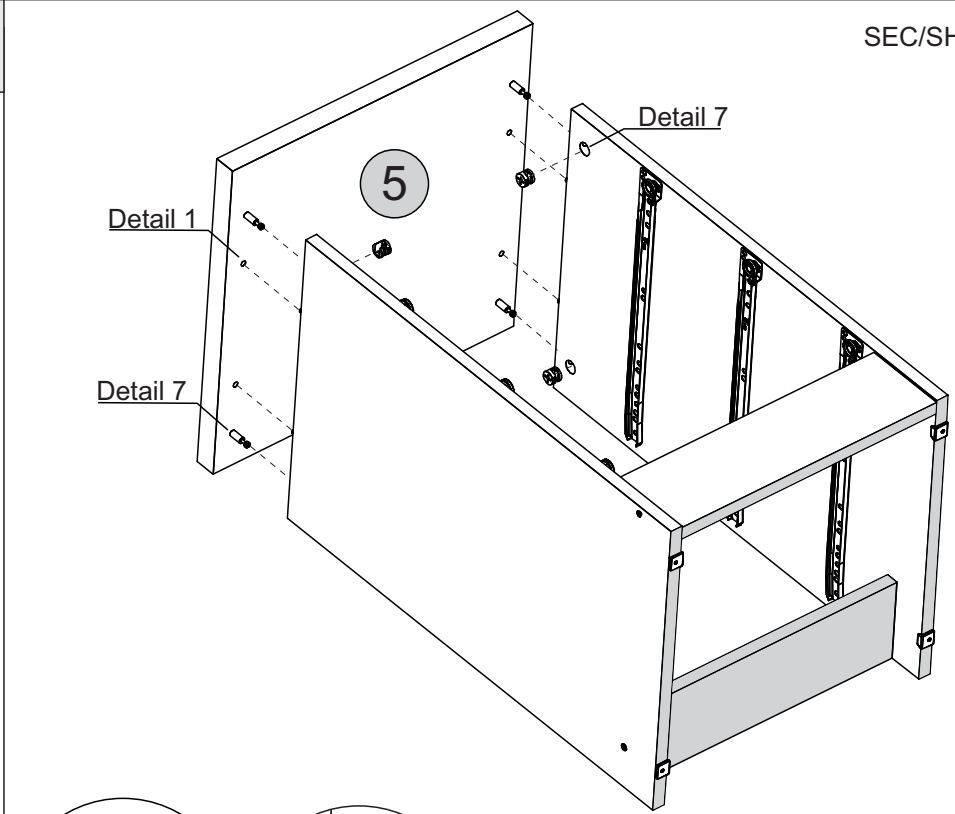
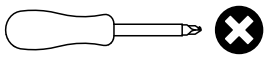


HARDWARE REQUIRED

K  01

N  04

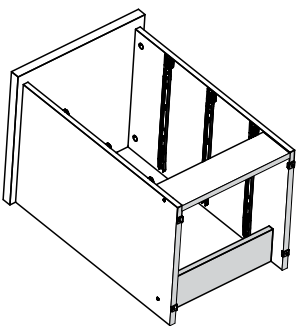
TOOLS REQUIRED



STEP 10

PARTS REQUIRED

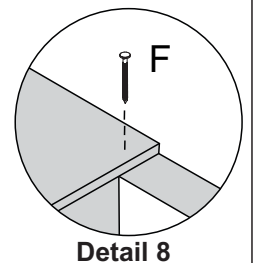
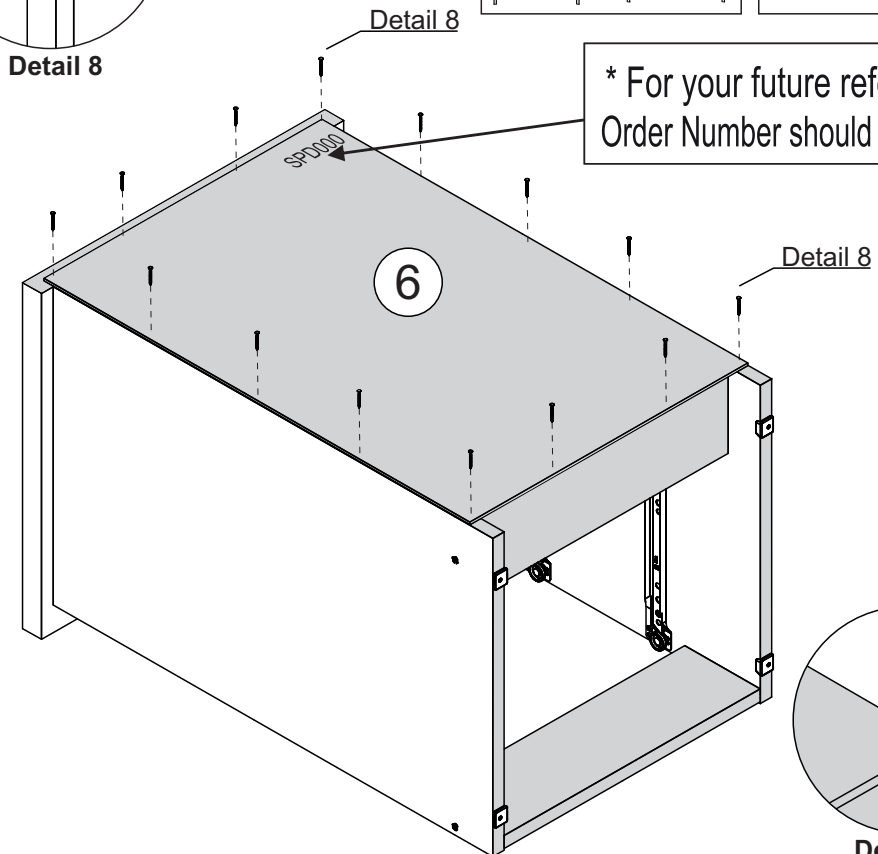
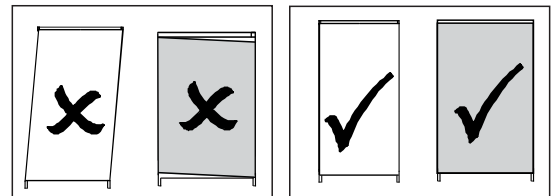
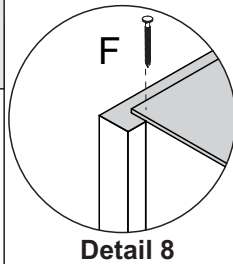
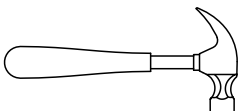
6 - BACK PANEL x1



HARDWARE REQUIRED

F  14

TOOLS REQUIRED



STEP 11


SEC/SH/05/22/CA8

PARTS REQUIRED

7 - DRAWER SIDE x6

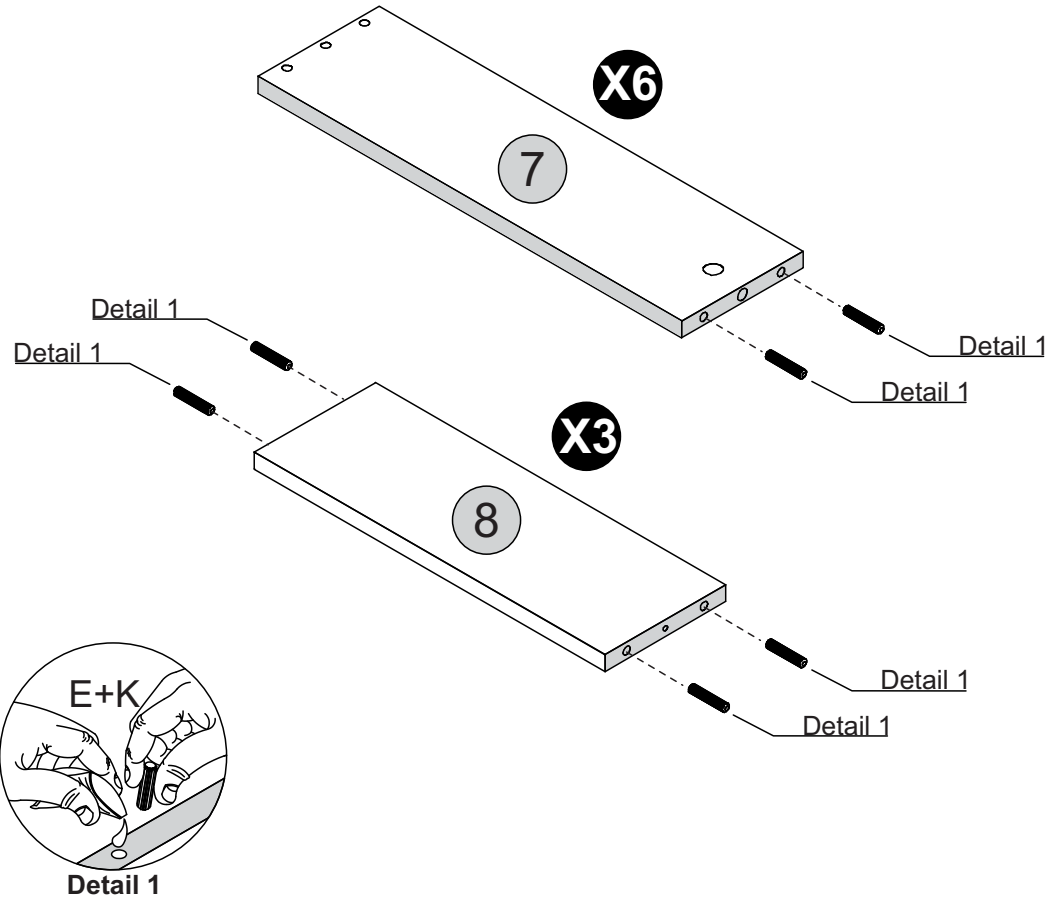
8 - DRAWER BACK PANEL x3

HARDWARE REQUIRED

E  24
Ø6 x 30mm

K  01
GLUE

TOOLS REQUIRED

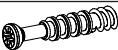


STEP 12

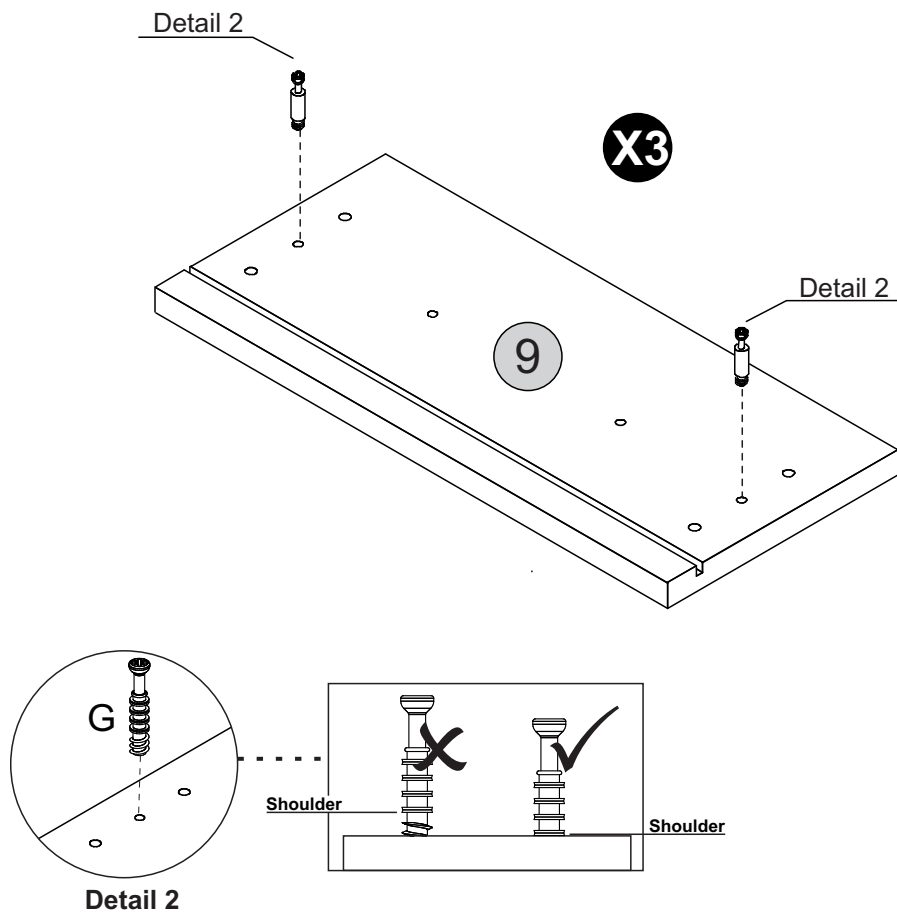
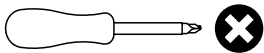
PARTS REQUIRED

9 - DRAWER FRONT x3

HARDWARE REQUIRED

G  06

TOOLS REQUIRED




STEP 13

PARTS REQUIRED

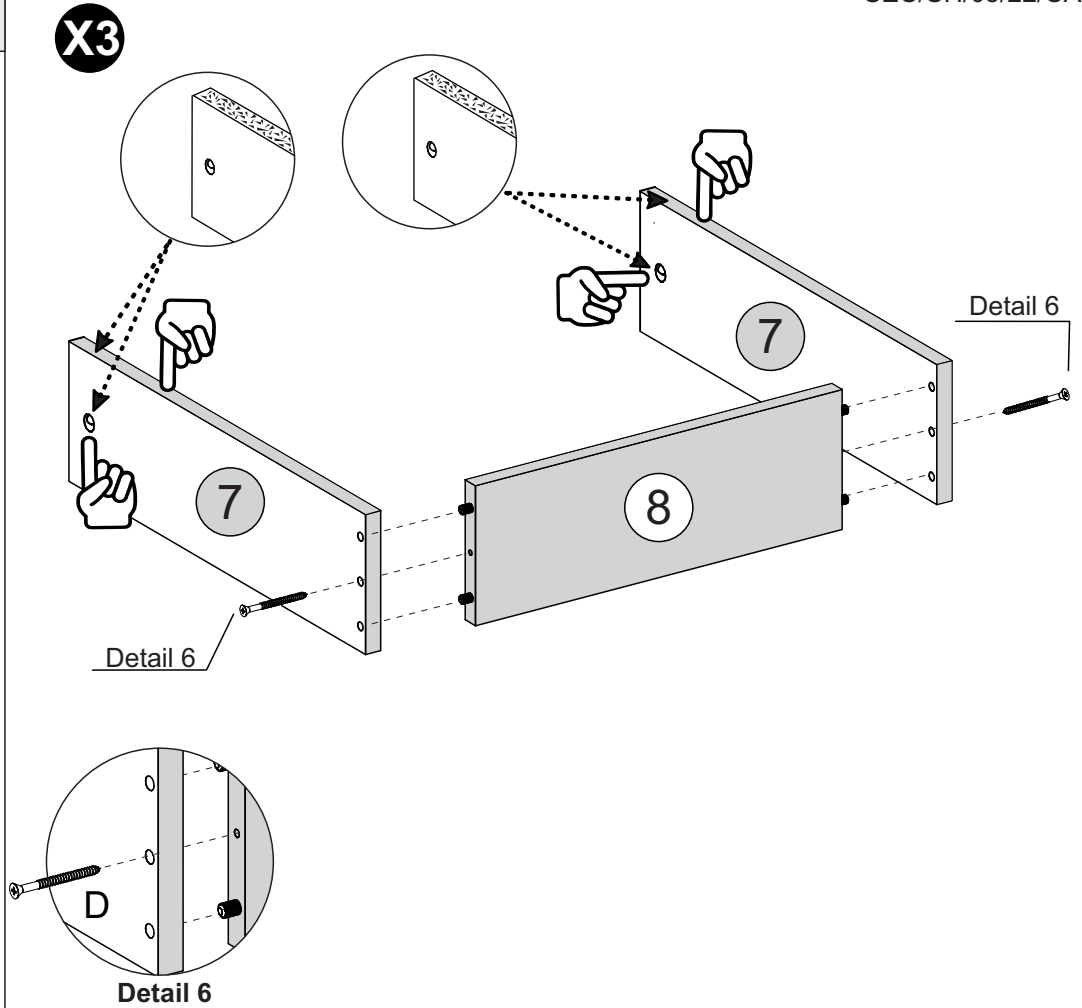
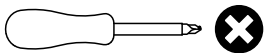
7 - DRAWER SIDE x6

8 - DRAWER BACK PANEL x3

HARDWARE REQUIRED

D  06
Ø4 x 50mm

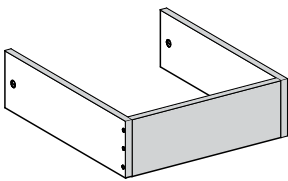
TOOLS REQUIRED



STEP 14

PARTS REQUIRED

9 - DRAWER FRONT x3

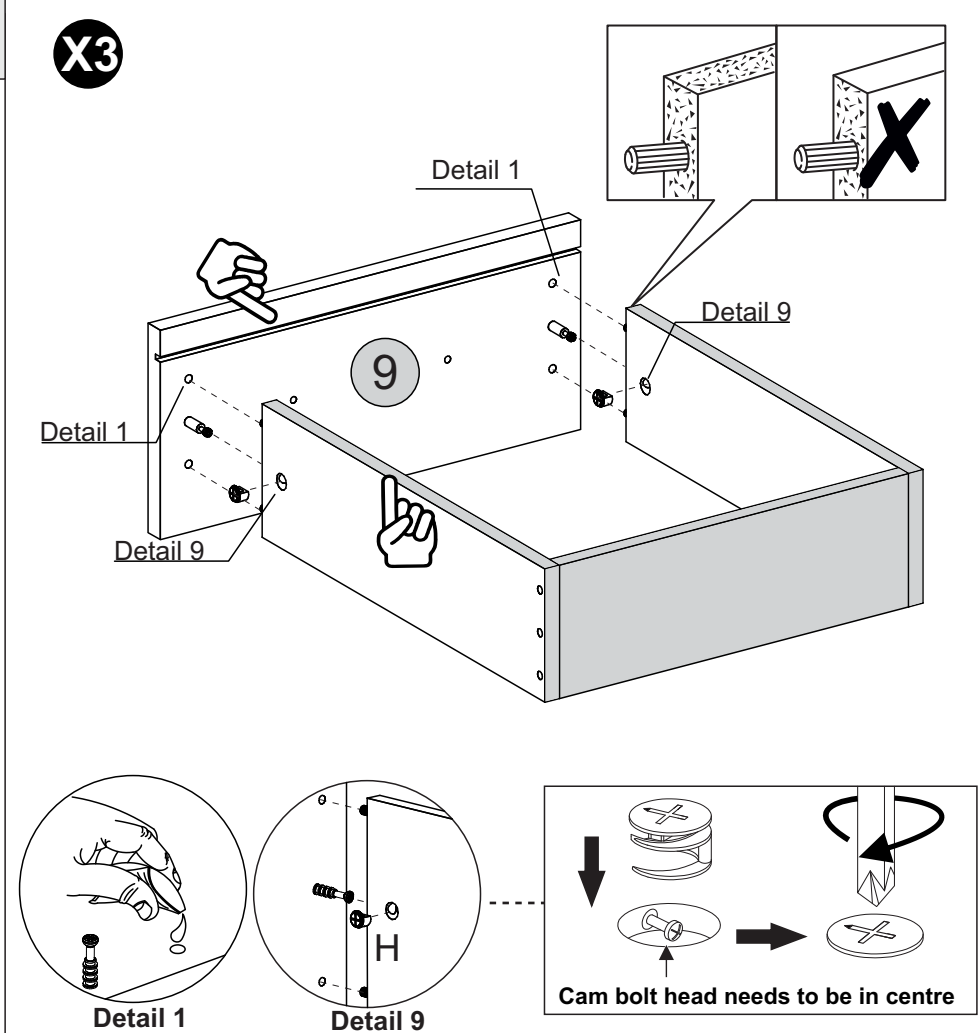
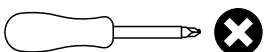


HARDWARE REQUIRED

H  06

K  01
 GLUE

TOOLS REQUIRED

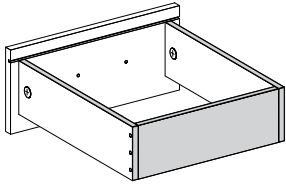


STEP 15


SEC/SH/05/22/CA8

PARTS REQUIRED

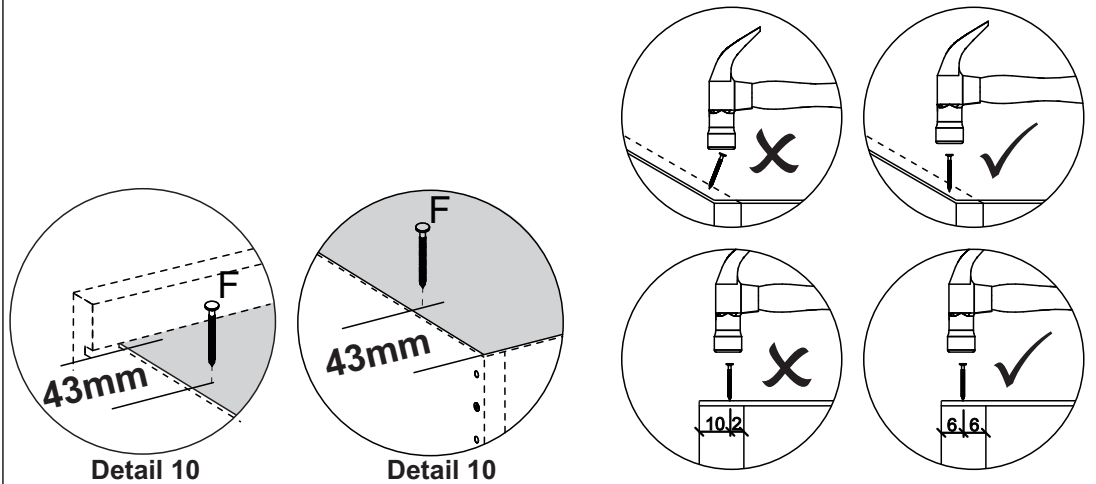
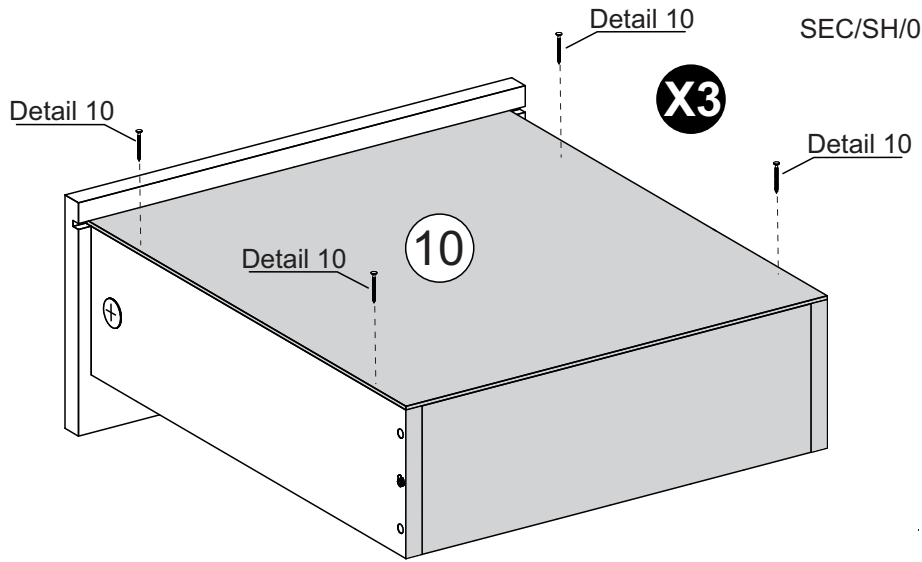
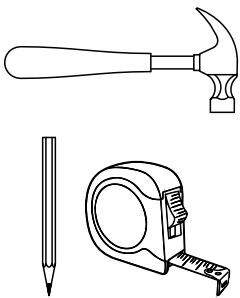
10 - DRAWER BOTTOM x3



HARDWARE REQUIRED

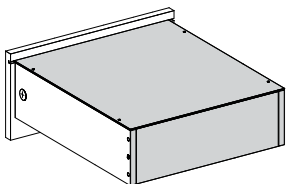
F  12
10 x 10

TOOLS REQUIRED



STEP 16

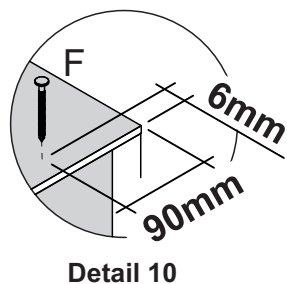
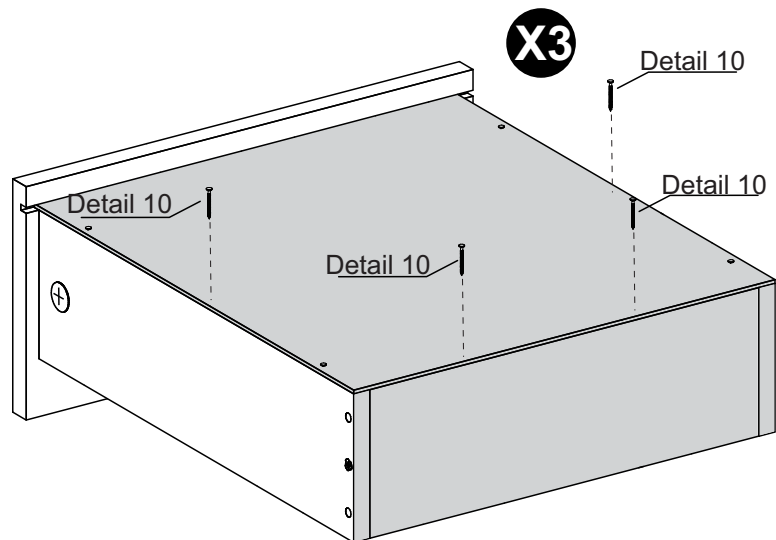
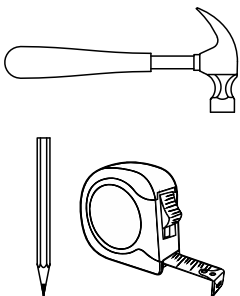
PARTS REQUIRED



HARDWARE REQUIRED

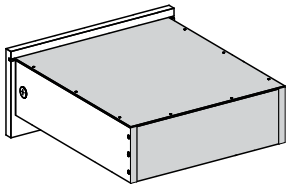
F  12
10 x 10

TOOLS REQUIRED



STEP 17

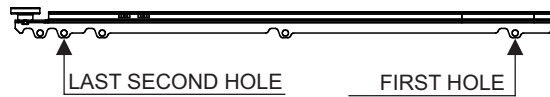
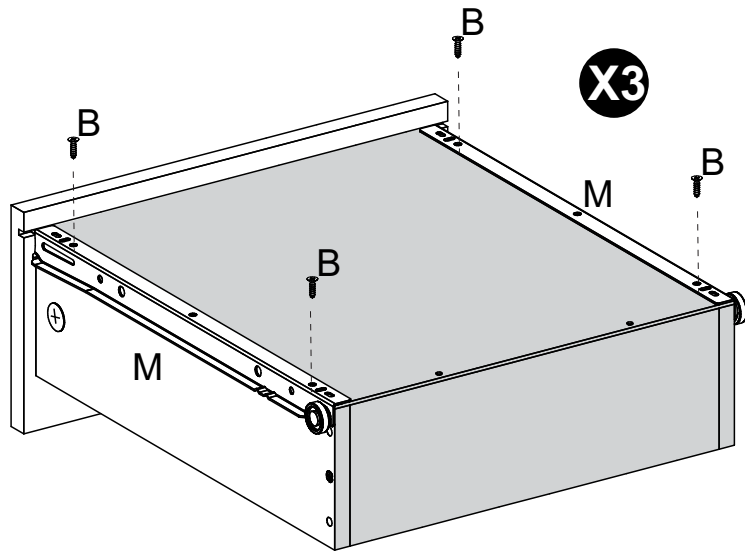
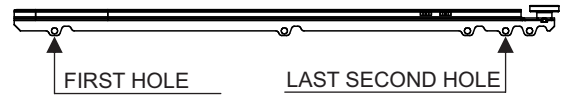
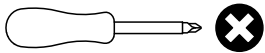
PARTS REQUIRED



HARDWARE REQUIRED

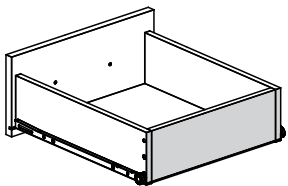


TOOLS REQUIRED

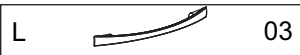
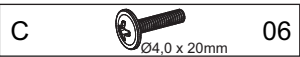


STEP 18

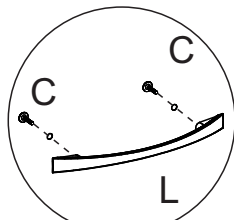
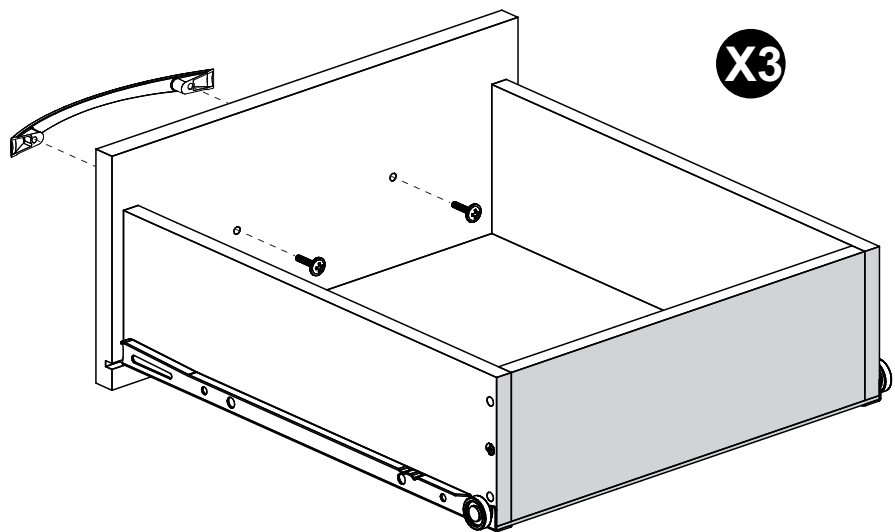
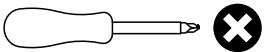
PARTS REQUIRED



HARDWARE REQUIRED



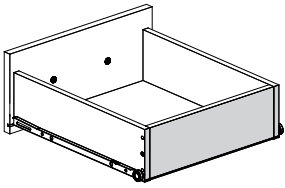
TOOLS REQUIRED



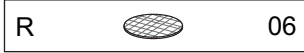
Detail 11

STEP 19

PARTS REQUIRED

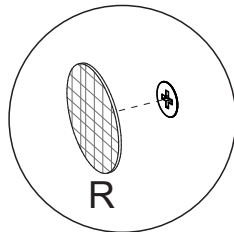
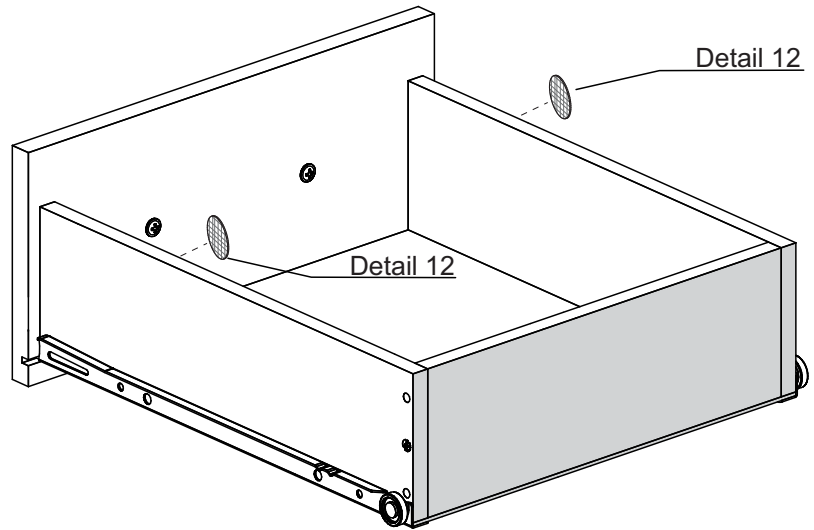


HARDWARE REQUIRED



TOOLS REQUIRED

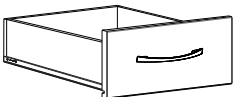
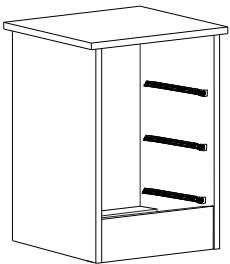
X3



Detail 12

STEP 20

PARTS REQUIRED



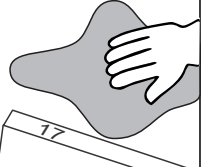
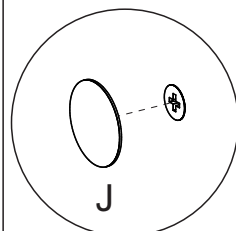
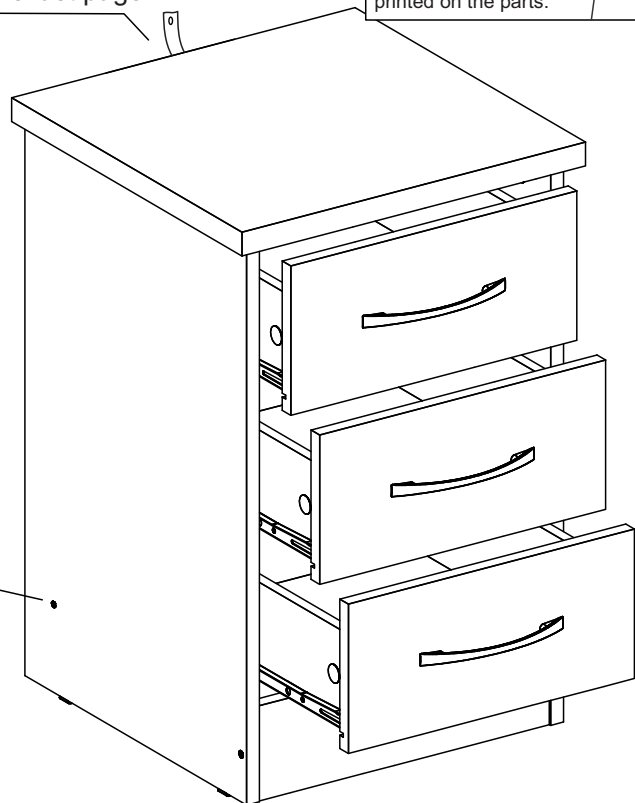
HARDWARE REQUIRED



TOOLS REQUIRED

 See the last page

TIP
If desired, after assembly use an alcohol cleaner to erase the number printed on the parts.

Detail 12

WARNING

Serious or fatal injuries can occur from furniture tipping over. To prevent the furniture from tipping over we recommend that it is permanently fixed to the wall.

Wall fixings are not supplied with this product as different wall materials require different types of fixing devices.

Please make sure you use fixings suitable for the walls in your home.

