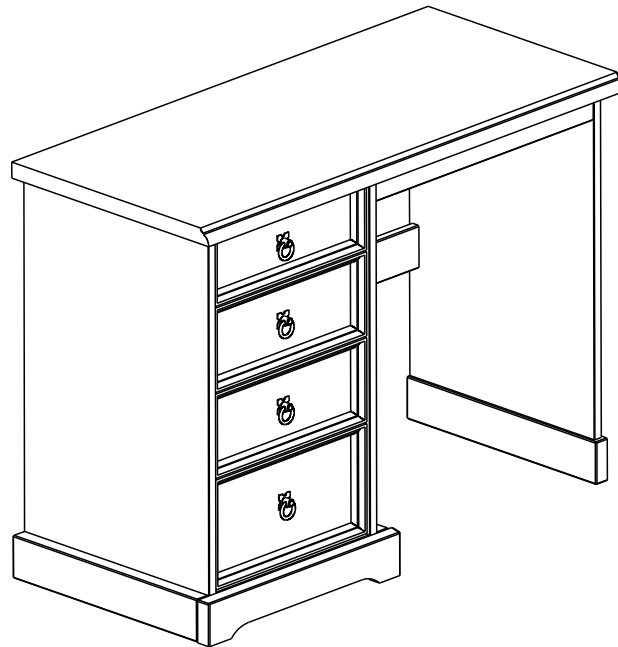


55522

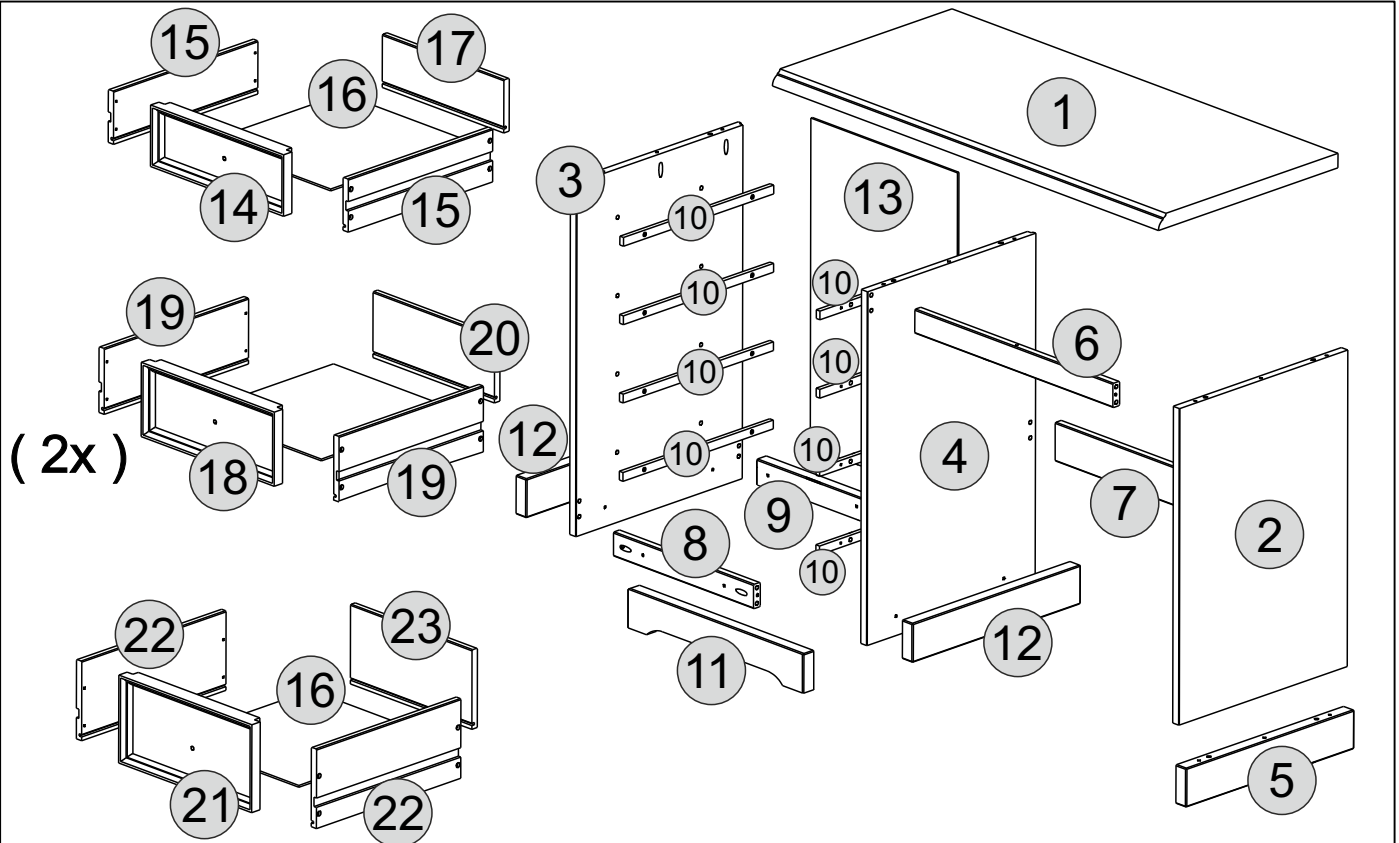
# CORONA 4 DRAWER DRESSING TABLE ASSEMBLY INSTRUCTIONS



## **IMPORTANT** PLEASE READ BEFORE YOU CONTINUE FURTHER **FOR DOMESTIC USE ONLY** **CARE AND MAINTENANCE**

After unpacking this product please keep the original packaging in case it needs to be returned for any reason.

- Please ensure all fittings and parts are present before commencing with assembly.
- We recommend that you lay a blanket or sheet on the floor to avoid damage to both your floor and the product.
- We strongly recommend that you keep children away from your work area.
- Assemble this product as close to its final position as possible.
- Never drag or push products as this could cause damage to the joints making it inferior.
- Do not place this product next to a radiator or in direct sunlight.
- Wood is a natural product and may expand if subjected to damp and may shrink or crack if subjected to heat. Therefore it is recommended that room temperature is maintained, with no sudden temperature fluctuations.
- Make sure any spillage is wiped off immediately.
- Do not place hot or chilled items directly on to the surface, use a place mat or marking will occur.
- For general cleaning use a duster, and do not use detergents of any kind. However, the surface will need to be retreated from time to time. This can be done by using block wax (unperfumed) and rubbing it over the whole item.
- From time to time it may be necessary to tighten fittings, regular inspections should be carried out.

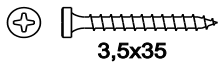
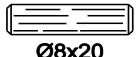
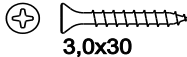
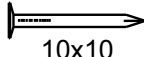
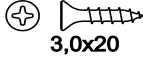
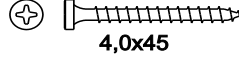
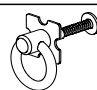

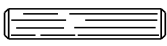

**Please Note:**

The below Highlighted parts have all been stamped with the part number to help identify them during assembly.

**PARTS LIST**

<b>Part Number</b>	<b>Part Code</b>	<b>Part Description</b>	<b>Quantity</b>	<b>Carton</b>
1	S100-105-006-PJ1-01	Top Panel	1	1/1
2	S100-105-006-PJ1-02	Right Side Panel	1	1/1
3	S100-105-006-PJ1-03	Left Side Panel	1	1/1
4	S100-105-006-PJ1-04	Centre Panel	1	1/1
5	S100-105-006-PJ1-05	Foot	1	1/1
6	S100-105-006-PJ1-06	Front Crossbeam	1	1/1
7	S100-105-006-PJ1-07	Back Support Bar	1	1/1
8	S100-105-006-PJ1-08	Internal Front Crossbeam	1	1/1
9	S100-105-006-PJ1-09	Internal Back Crossbeam	1	1/1
10	S100-105-006-PJ1-10	Drawer Runner	8	1/1
11	S100-105-006-PJ1-11	Front Plinth	1	1/1
12	S100-105-006-PJ1-12	Side Plinth	2	1/1
13	S100-105-006-PJ1-13	Back Panel	1	1/1
14	S100-105-006-PJ1-14	Small Drawer Front	1	1/1
15	S100-105-006-PJ1-15	Small Drawer Side	2	1/1
16	S100-105-006-PJ1-16	Drawer Base	4	1/1
17	S100-105-006-PJ1-17	Small Drawer Back	1	1/1
18	S100-105-006-PJ1-18	Medium Drawer Front	2	1/1
19	S100-105-006-PJ1-19	Medium Drawer Side	4	1/1
20	S100-105-006-PJ1-20	Medium Drawer Back	2	1/1
21	S100-105-006-PJ1-21	Large Drawer Front	1	1/1
22	S100-105-006-PJ1-22	Large Drawer Side	2	1/1
23	S100-105-006-PJ1-23	Large Drawer Back	1	1/1

## FITTINGS

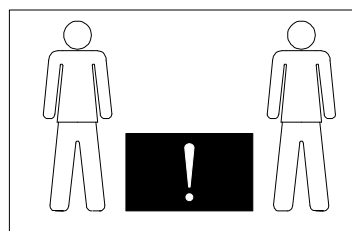
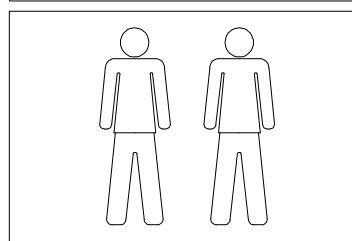
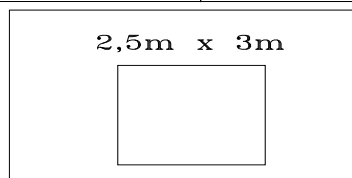
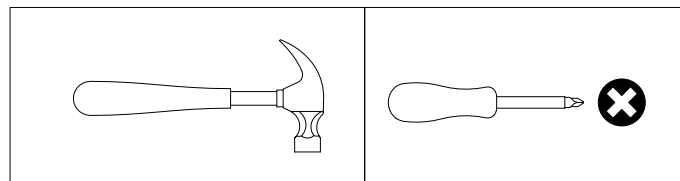
<b>A</b>	 (+2) <b>3,5x35</b>	<b>24</b>	<b>F</b>	 (+2) <b>Ø8x20</b>	<b>16</b>
<b>B</b>	 (+2) <b>3,0x30</b>	<b>32</b>	<b>G</b>	 (+2) <b>10x10</b>	<b>14</b>
<b>C</b>	 (+2) <b>3,0x20</b>	<b>16</b>	<b>H</b>	 (+1) <b>4,0x45</b>	<b>03</b>
<b>D</b>		<b>04</b>	<b>I</b>	 (+1) <b>3,5x16</b>	<b>04</b>
<b>E</b>	 (+2) <b>Ø8x30</b>	<b>24</b>	<b>J</b>	 (+) <b>2x</b> <b>1x</b>	<b>01</b>



\* Use of power tools to assemble this product will invalidate any claim and damage this product making it unsafe !!!  
 \* Please assemble on a clean soft surface to avoid damage.

\* Please check contents and read the instructions before commencing assembly.  
 \* Assemble this product following the enclosed instructions carefully.  
 \* Please take care to avoid damaging panels during assembly.

## TOOLS REQUIRED

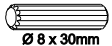
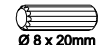


# STEP 1

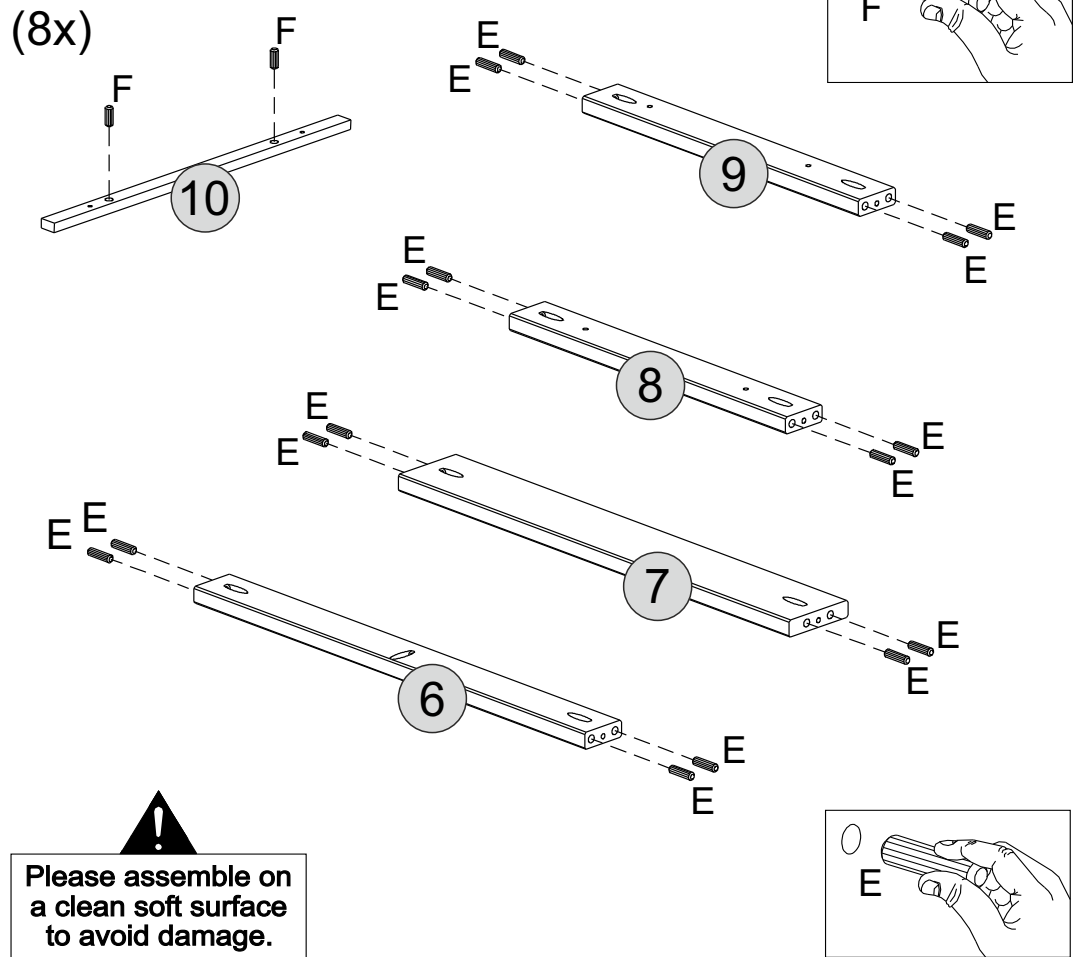
## PARTS REQUIRED

6 - FRONT CROSSBEAM	x1
7 - BACK SUPPORT BAR	x1
8 - INTERNAL FRONT CROSSBEAM x1	
9 - INTERNAL BACK CROSSBEAM x1	
10 - DRAWER RUNNER	x8

## HARDWARE REQUIRED

E		16
F		16

## TOOLS REQUIRED

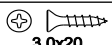



# STEP 2

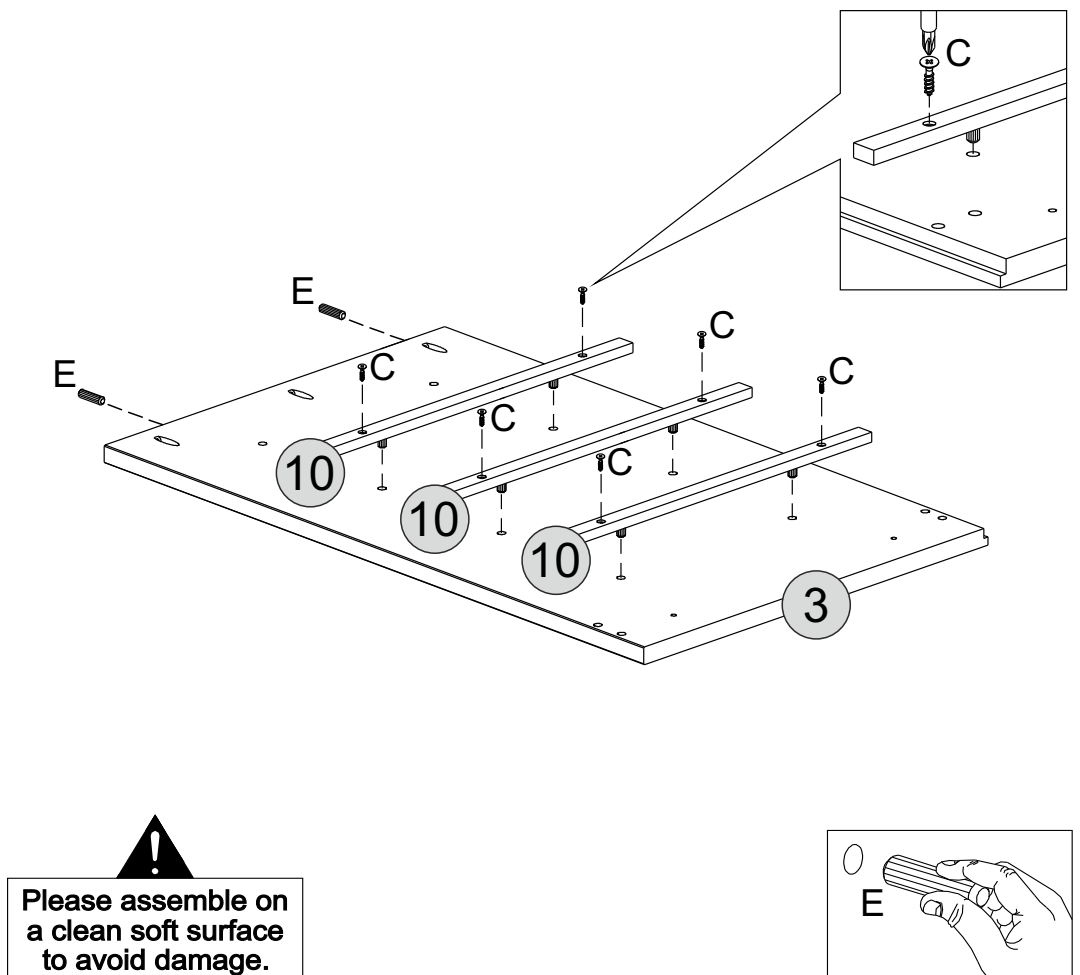
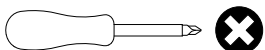
## PARTS REQUIRED

3 - LEFT SIDE PANEL	x1
10 - DRAWER RUNNER	x3

## HARDWARE REQUIRED

C		06
E		02

## TOOLS REQUIRED

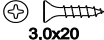



# STEP 3

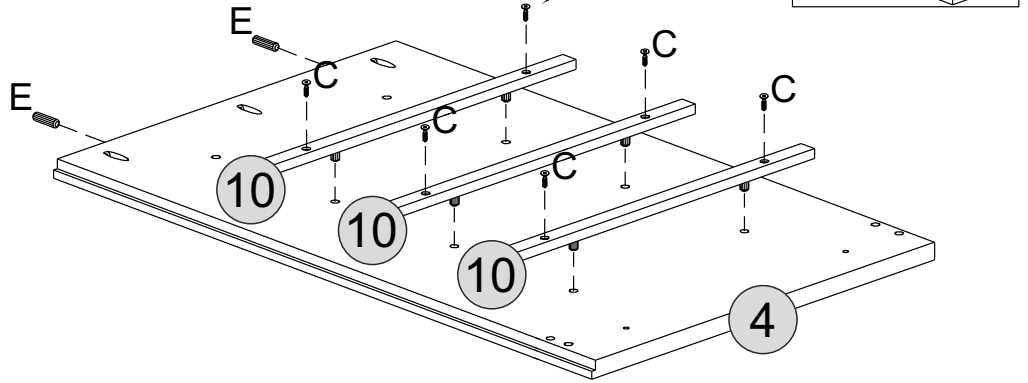
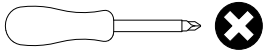
## PARTS REQUIRED

4 - CENTRE PANEL	x1
10 - DRAWER RUNNER	x3

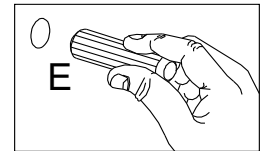
## HARDWARE REQUIRED

C	 3,0x20	06
E	 Ø 8 x 30mm	02

## TOOLS REQUIRED



 Please assemble on a clean soft surface to avoid damage.



# STEP 4

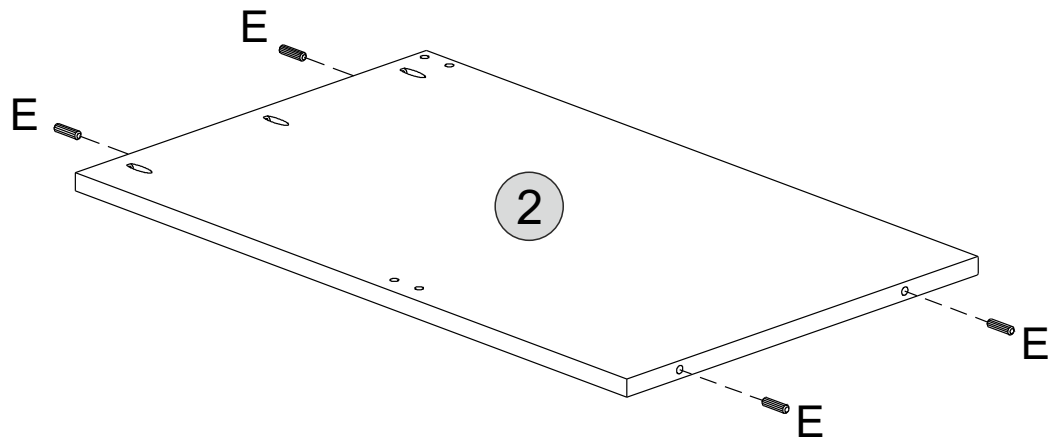
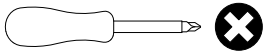
## PARTS REQUIRED

2 - RIGHT SIDE PANEL	x1
----------------------	----

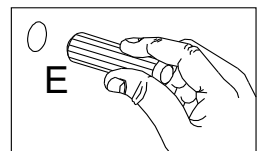
## HARDWARE REQUIRED

E	 Ø 8 x 30mm	04
---	--	----

## TOOLS REQUIRED



 Please assemble on a clean soft surface to avoid damage.





# STEP 5

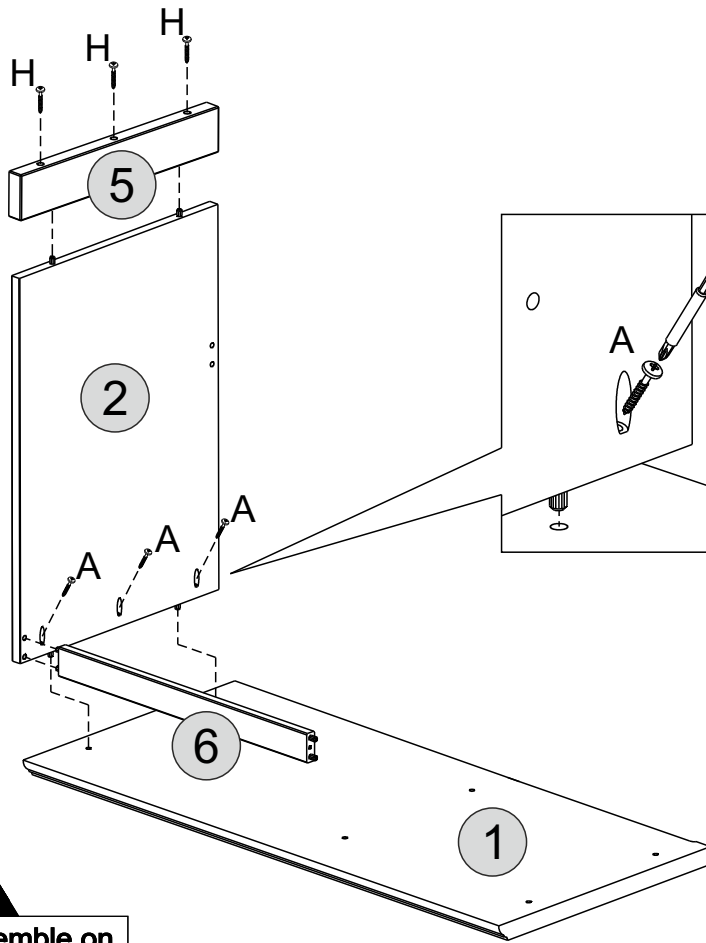
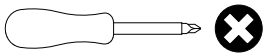
## PARTS REQUIRED

1 - TOP PANEL	x1
2 - RIGHT SIDE PANEL	x1
5 - FOOT	x1
6 - FRONT CROSSBEAM	x1

## HARDWARE REQUIRED

A		3,5x35	03
H		4,0x45	03

## TOOLS REQUIRED

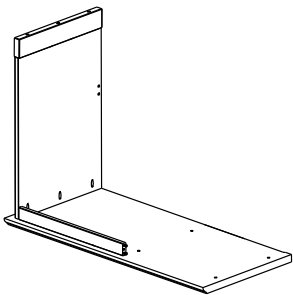


 Please assemble on a clean soft surface to avoid damage.


# STEP 6

## PARTS REQUIRED

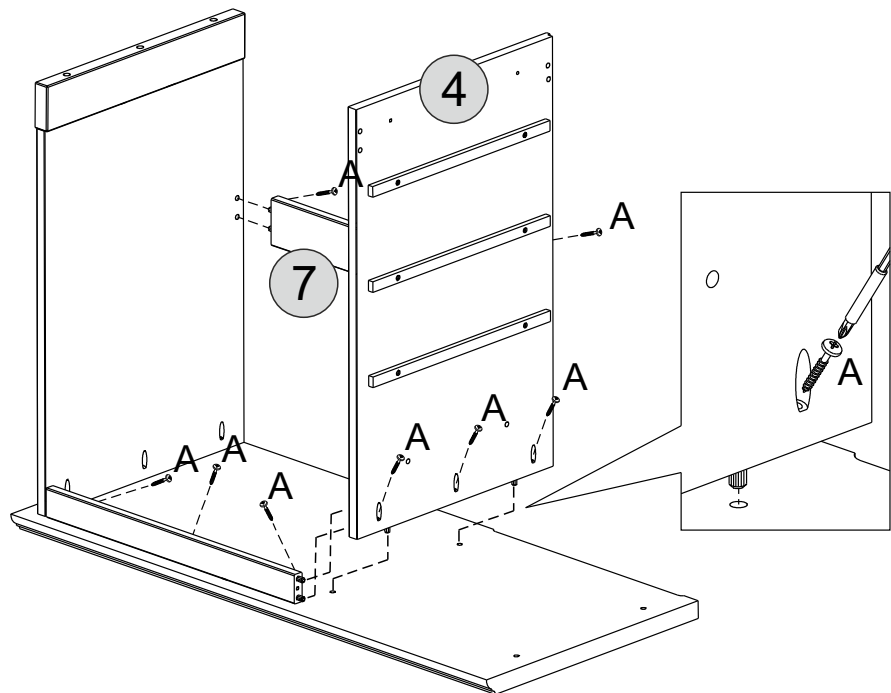
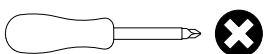
4 - CENTRE PANEL	x1
7 - BACK SUPPORT BAR	x1



## HARDWARE REQUIRED

A		3,5x35	08
---	---	--------	----

## TOOLS REQUIRED

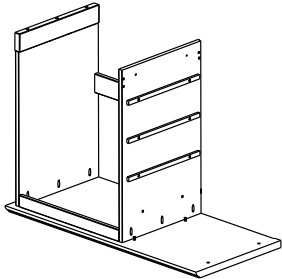


 Please assemble on a clean soft surface to avoid damage.


# STEP 7

## PARTS REQUIRED

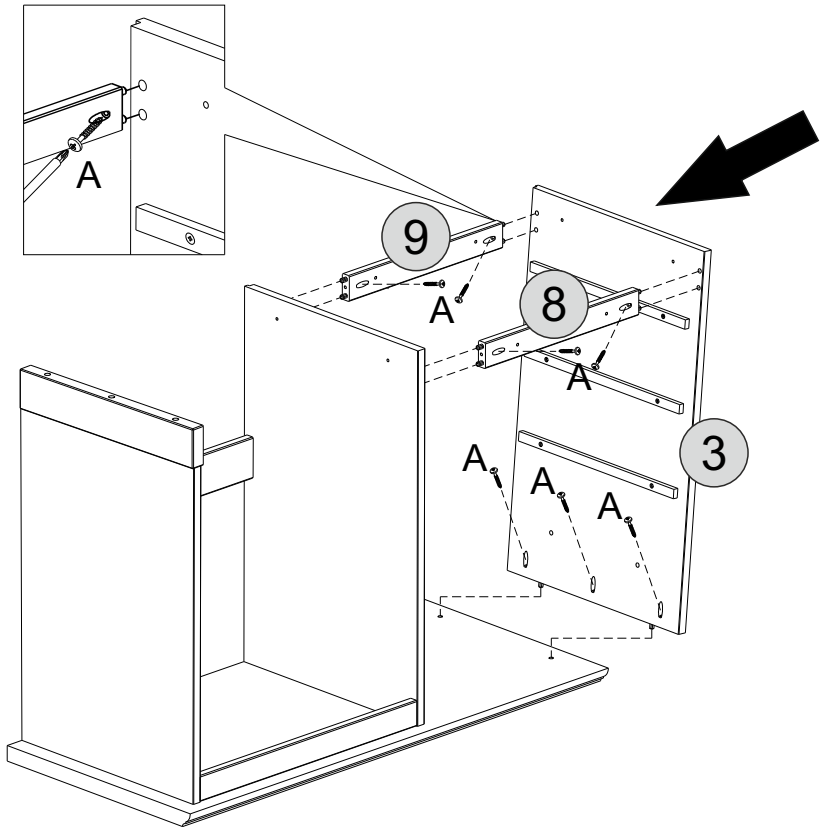
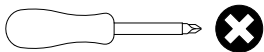
- 3 - LEFT SIDE PANEL x1
- 8 - INTERNAL FRONT CROSSBEAM x1
- 9 - INTERNAL BACK CROSSBEAM x1



## HARDWARE REQUIRED

- A  3,5x35 07

## TOOLS REQUIRED

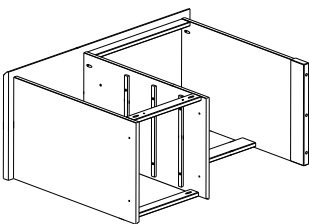


**!**  
Please assemble on a clean soft surface to avoid damage.



# STEP 8

## PARTS REQUIRED

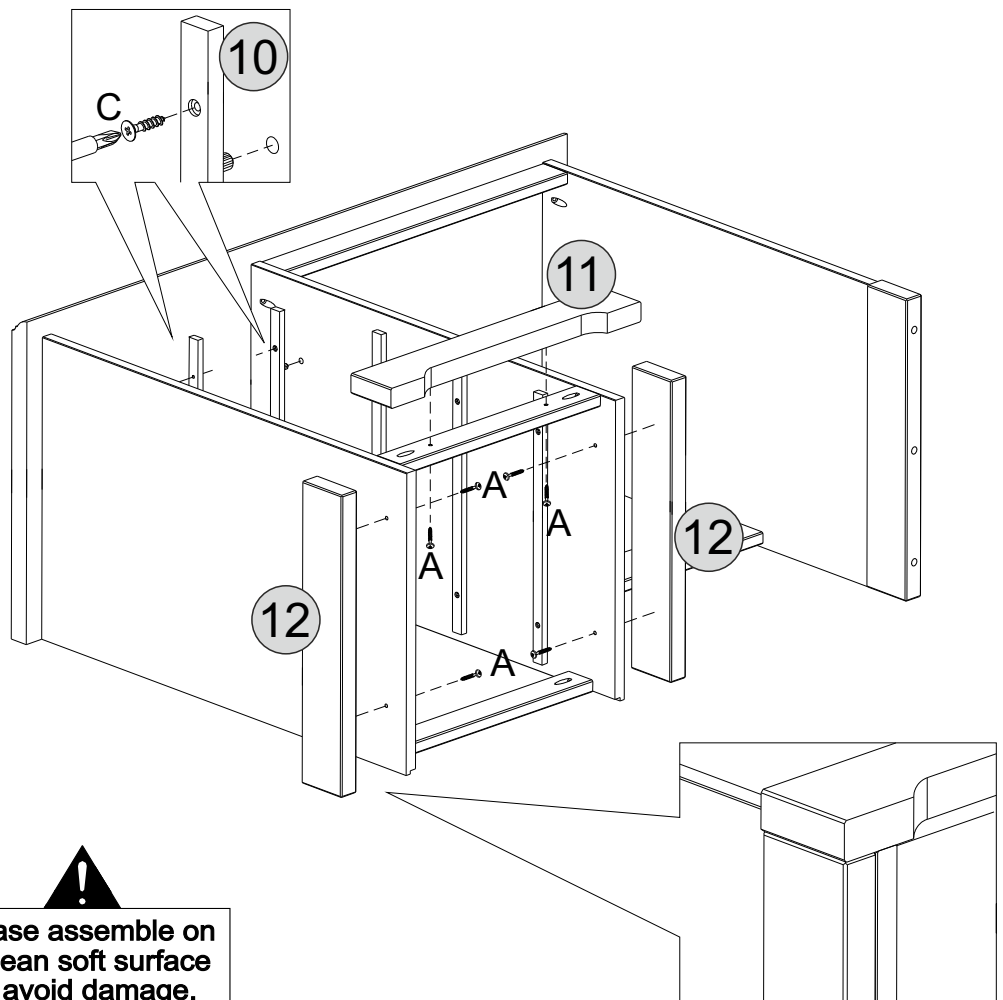
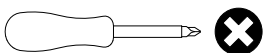
- 10 - DRAWER RUNNER x2
- 11 - FRONT PLINTH x1
- 12 - SIDE PLINTH x2



## HARDWARE REQUIRED

- A  3,5x35 06
- C  3,0x20 04

## TOOLS REQUIRED

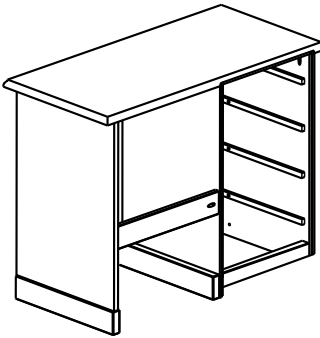


**!**  
Please assemble on a clean soft surface to avoid damage.

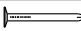
# STEP 9

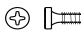
## PARTS REQUIRED

13 - BACK PANEL x1

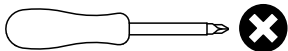
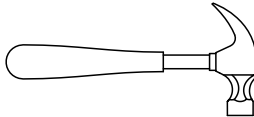


## HARDWARE REQUIRED

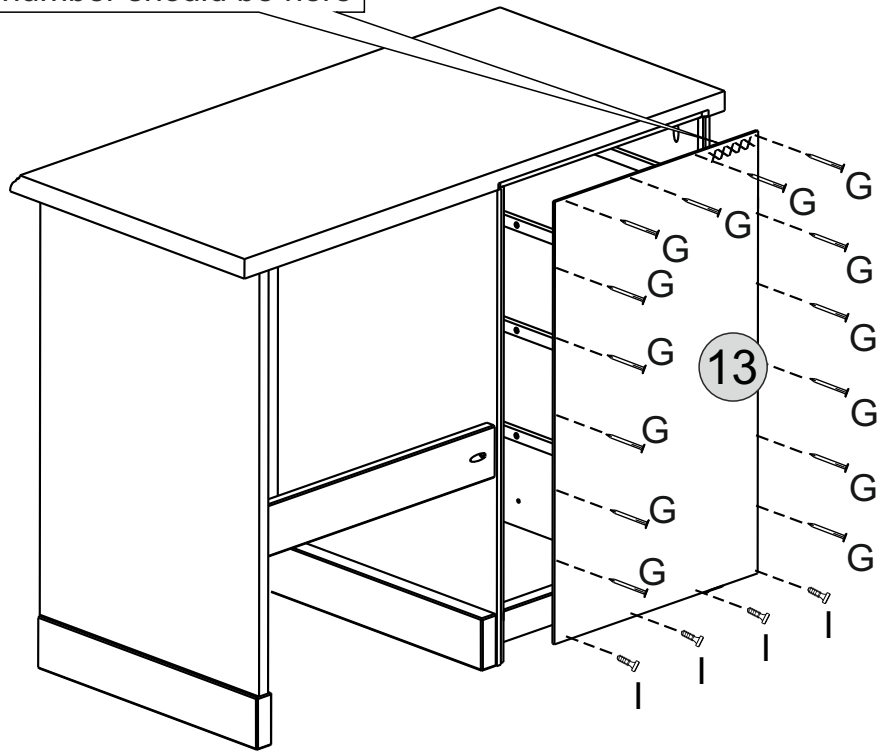
G  10x10 14

I  3,5x16 04

## TOOLS REQUIRED



For your future reference order number should be here



 Please assemble on a clean soft surface to avoid damage.

# STEP 10

## PARTS REQUIRED


14 - SMALL DRAWER FRONT x1

15 - SMALL DRAWER SIDE x2

16 - DRAWER BASE x1

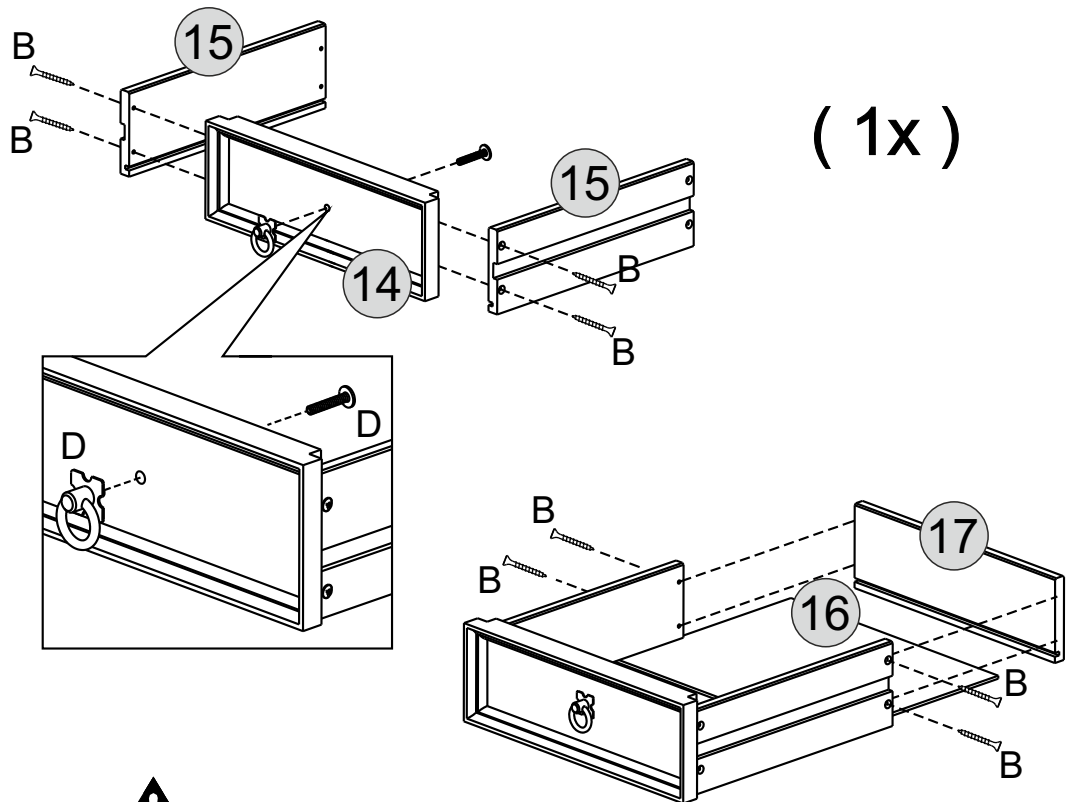
17 - SMALL DRAWER BACK x1

## HARDWARE REQUIRED

B  3,0x30 08

D  01

## TOOLS REQUIRED



 Please assemble on a clean soft surface to avoid damage.





# STEP 11

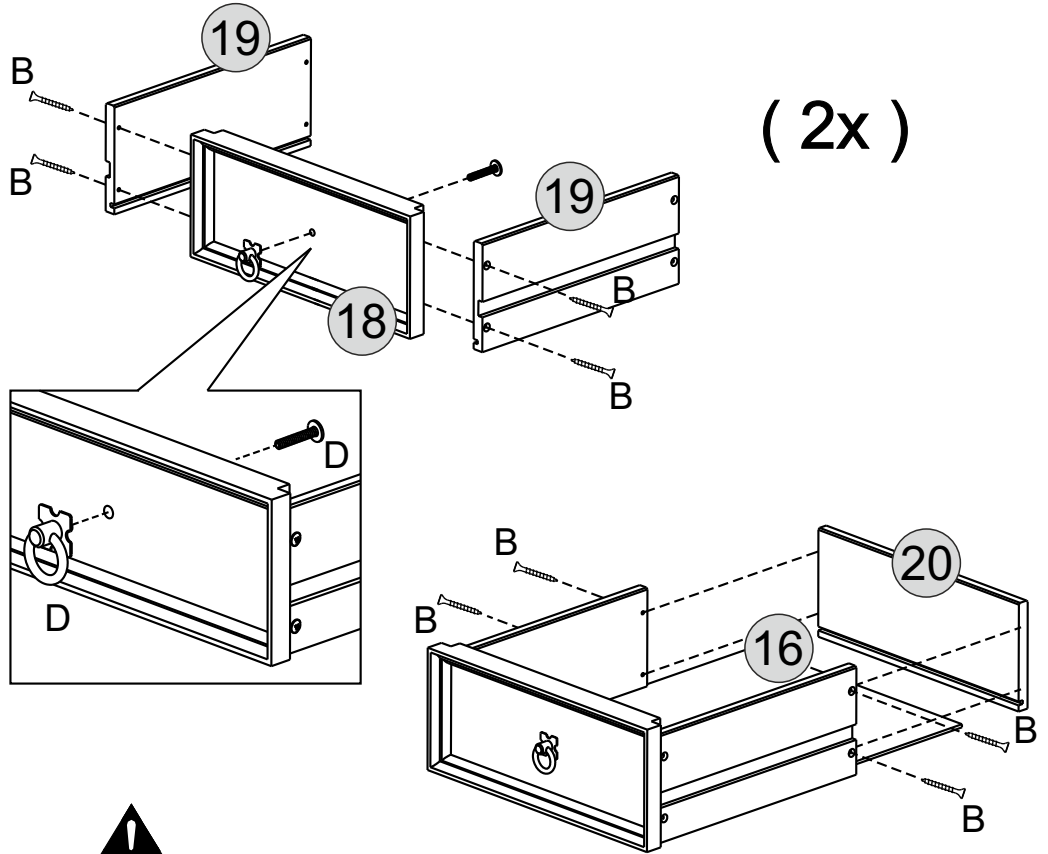
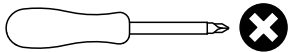
## PARTS REQUIRED

16 - DRAWER BASE	x2
18 - MEDIUM DRAWER FRONT	x2
19 - MEDIUM DRAWER SIDE	x4
20 - MEDIUM DRAWER BACK	x2

## HARDWARE REQUIRED

B	 3,0x30	16
D		02

## TOOLS REQUIRED





 Please assemble on a clean soft surface to avoid damage.

# STEP 12

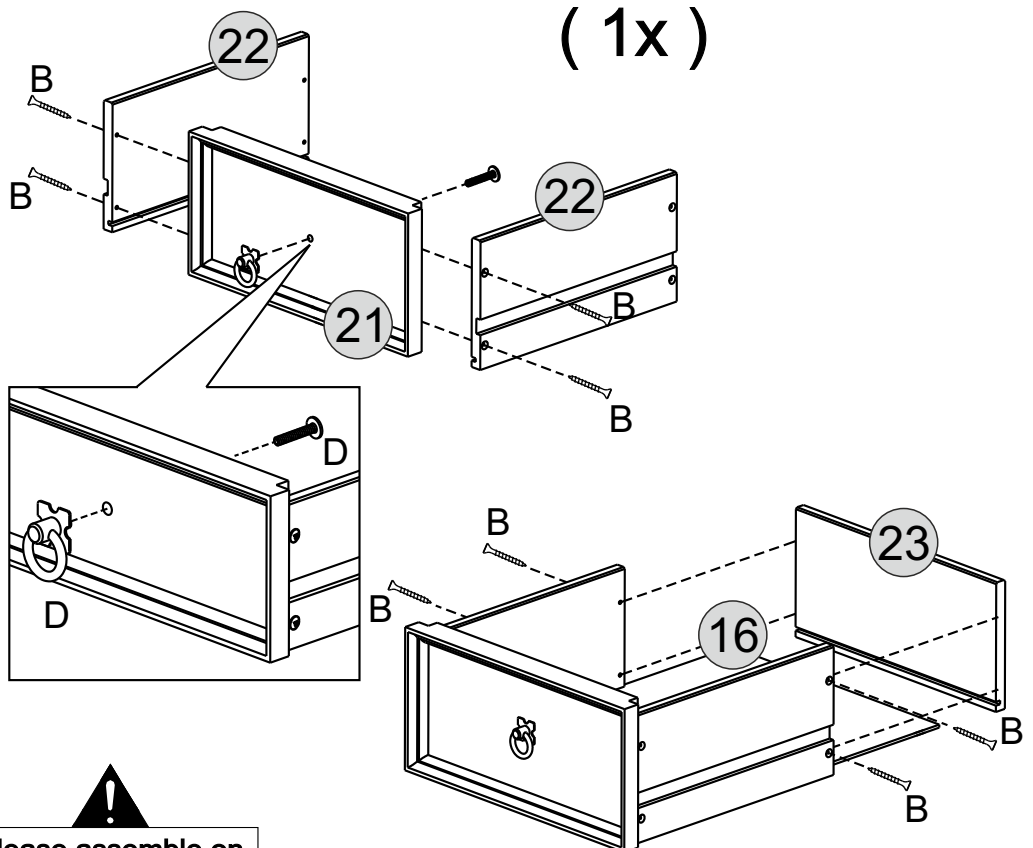
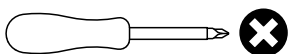
## PARTS REQUIRED

16 - DRAWER BASE	x1
21 - LARGE DRAWER FRONT	x1
22 - LARGE DRAWER SIDE	x2
23 - LARGE DRAWER BACK	x1

## HARDWARE REQUIRED

B	 3,0x30	08
D		01

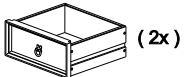
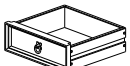
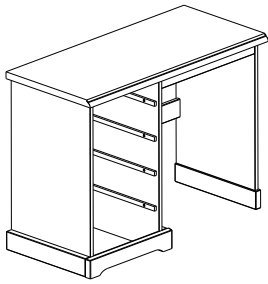
## TOOLS REQUIRED



 Please assemble on a clean soft surface to avoid damage.

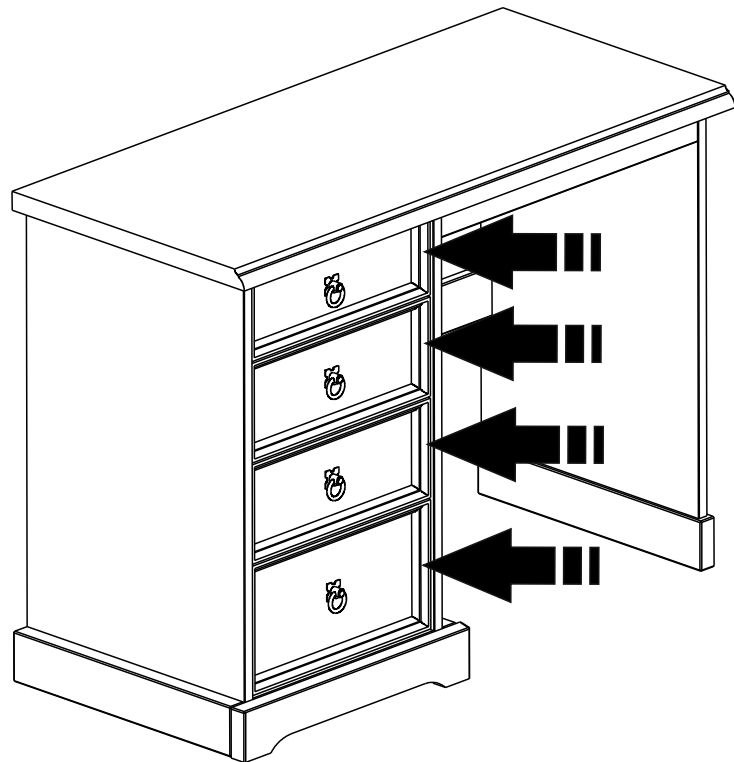
# STEP 13

**PARTS REQUIRED**



**HARDWARE REQUIRED**

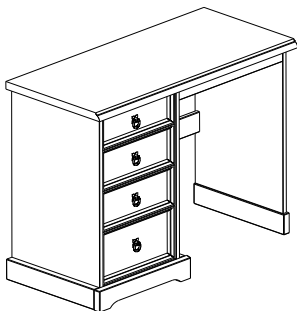
**TOOLS REQUIRED**



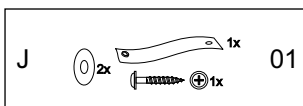
Please assemble on a clean soft surface to avoid damage.

# STEP 14

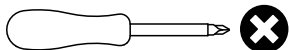
**PARTS REQUIRED**



**HARDWARE REQUIRED**



**TOOLS REQUIRED**



## WARNING

**Serious or fatal injuries can occur from furniture tipping over. To prevent the furniture from tipping over we recommend that it is permanently fixed to the wall.**

Wall fixings are not supplied with this product as different wall materials require different types of fixing devices. Please make sure you use fixings suitable for the walls in your home.

