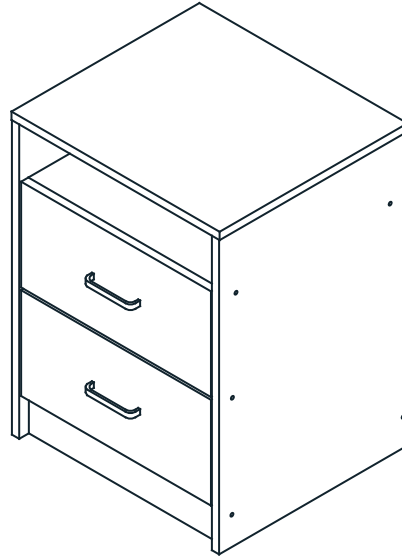


FELIX BEDSIDE ASSEMBLY INSTRUCTIONS



FOR DOMESTIC USE ONLY IMPORTANT

PLEASE READ BEFORE YOU CONTINUE FURTHER

THE PRODUCT YOU HAVE PURCHASED WILL GIVE YOU MANY YEARS OF SERVICE IF YOU FOLLOW THE GUIDELINES FOR ITS SAFE ASSEMBLY AND PERIODIC MAINTENANCE AND CLEANING
ASSEMBLE ON A SOFT CLEAN SURFACE

DO NOT USE ANY TOOLS OTHER THAN THOSE SHOWN

ANY SPANNERS OR ALLEN KEYS REQUIRED ARE INCLUDED WITH THE FITTING KIT.

DO NOT FOR ANY REASON USE A POWER TOOL TO ASSEMBLE THIS PRODUCT. ITS USE WILL INVALIDATE ANY CLAIM YOU MAY HAVE AND COULD MAKE THIS PRODUCT UNSAFE.

DEPENDING ON THE AMOUNT OF USE THIS PRODUCT RECEIVES, IT MAY BE NECESSARY TO TIGHTEN UP THE FIXINGS FROM TIME TO TIME. THIS IS COMPLETELY NORMAL FOR ANY FLAT PACK FURNITURE. DO NOT OVERTIGHTEN FIXINGS.

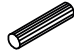





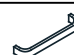



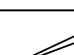

FOR CLEANING, YOU MAY USE A DAMP CLOTH (NOT WET). DO NOT USE POLISH, DETERGENT OR CHEMICAL CLEANERS.

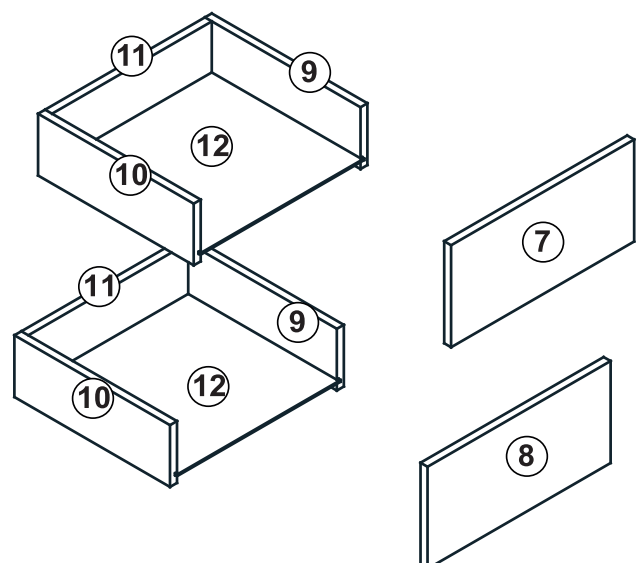
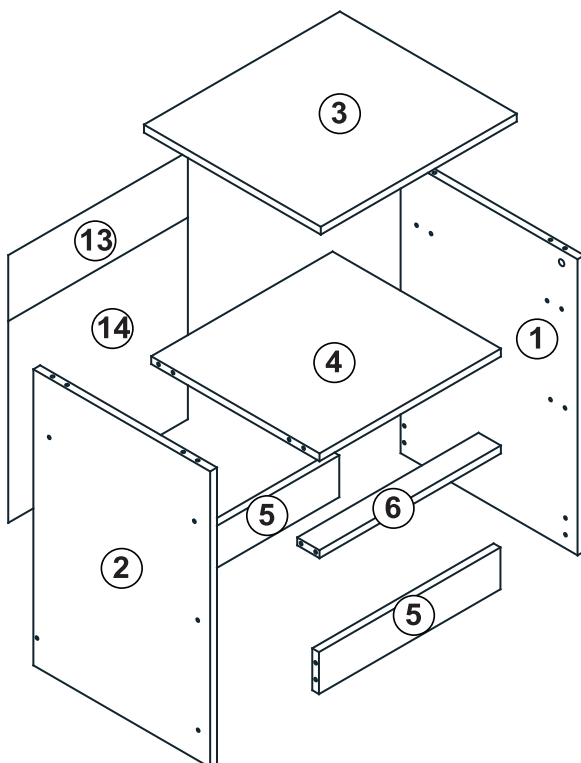
THE SURFACE OF THIS ITEM IS NOT HEAT RESISTANT. ALWAYS USE A PLACE MAT UNDER HOT OR COLD ITEMS TO PREVENT MARKING.

PART LIST

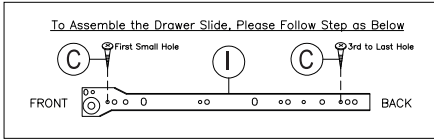
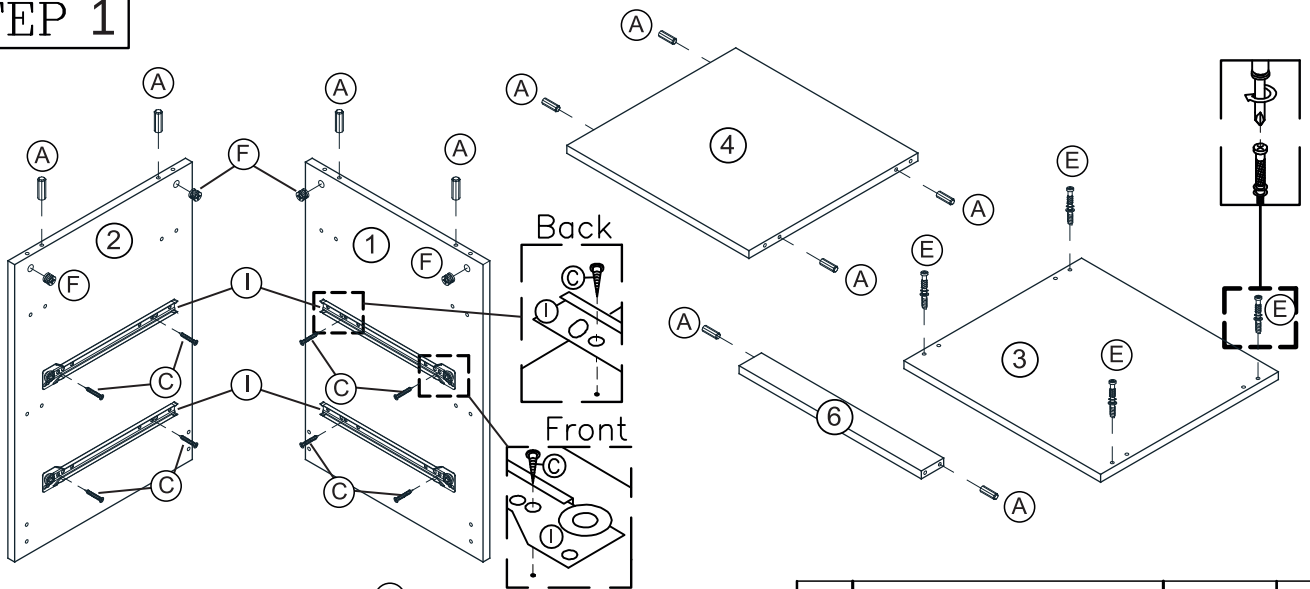
Carton 01 of 01		
No.	Part Name	Qty
1	Right Side Panel	x1
2	Left Side Panel	x1
3	Top Panel	x1
4	Shelf	x1
5	Lower Crossbar	x2
6	Middle Crossbar	x1
7	Top Drawer Front	x1
8	Bottom Drawer Front	x1
9	Right Drawer Side	x2
10	Left Drawer Side	x2
11	Drawer Back	x2
12	Drawer Base	x2
13	Back Panel	x1
14	Back Panel	x1

HARDWARE LIST

Carton 01 of 01			
No.	Part Name		Qty
A	Wooden Dowel (6x25mm)		x22
B	45mm Screw (4x45mm)		x10
C	14mm Screw (3.5x14mm)		x16
D	38mm Screw (4x38mm)		x8
E	Cam Bolt (8032T)		x8
F	Cam Nut (1512)		x8
G	Handle (AL96mm)		x2
H	20mm Handle Screw		x4
I	14" Drawer Slide (0.9mm W (vkt))		x2
J	Plastic Foot		x4
K	6/8" Nail		x20
L	Screw Cover (Sticker 12mm)		x10

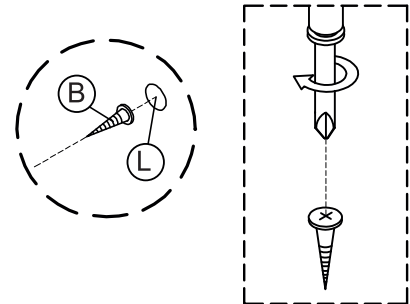
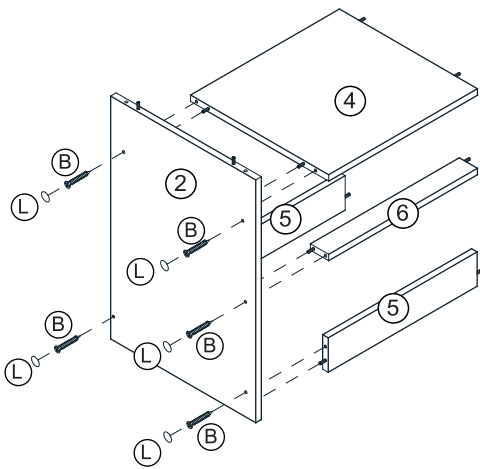


STEP 1



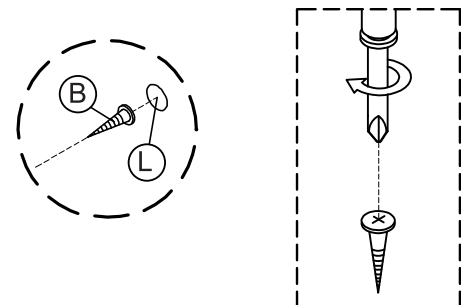
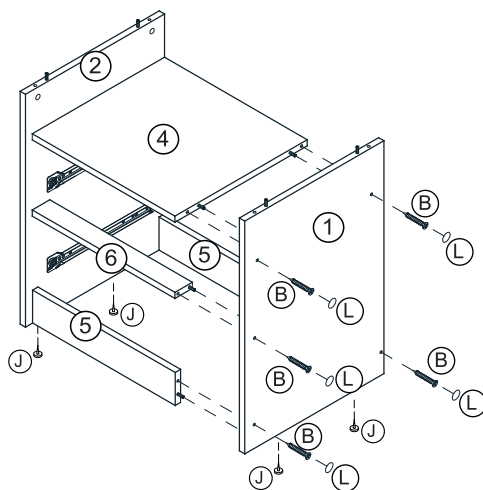
A	Wooden Dowel		x14
C	14mm Screw		x8
E	Cam Bolt		x4
F	Cam Nut		x4
I	14" Drawer Slide		x2

STEP 2



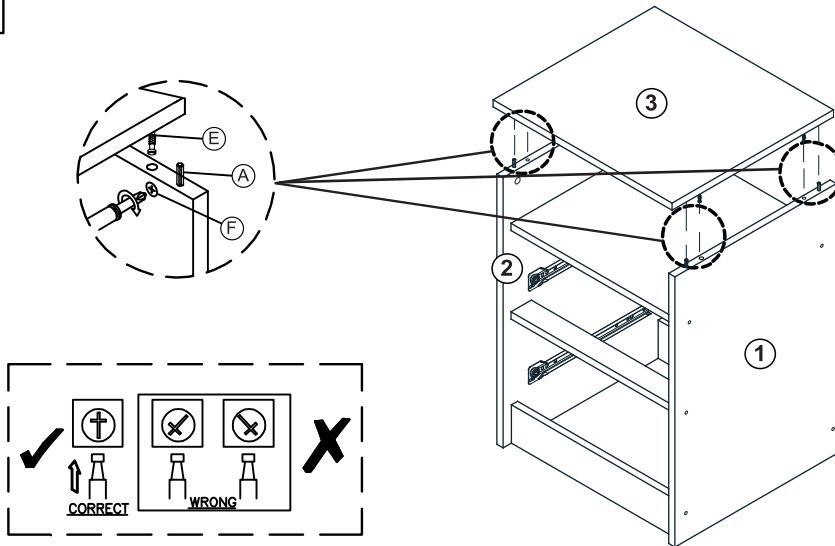
B	45mm Screw		x5
L	Screw Cover		x5

STEP 3

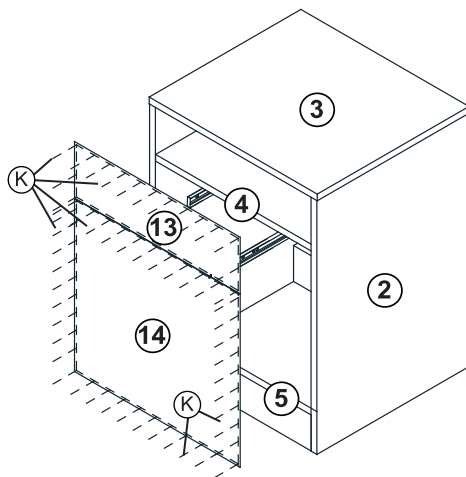


B	45mm Screw		x5
J	Plastic Foot		x4
L	Screw Cover		x5

STEP 4

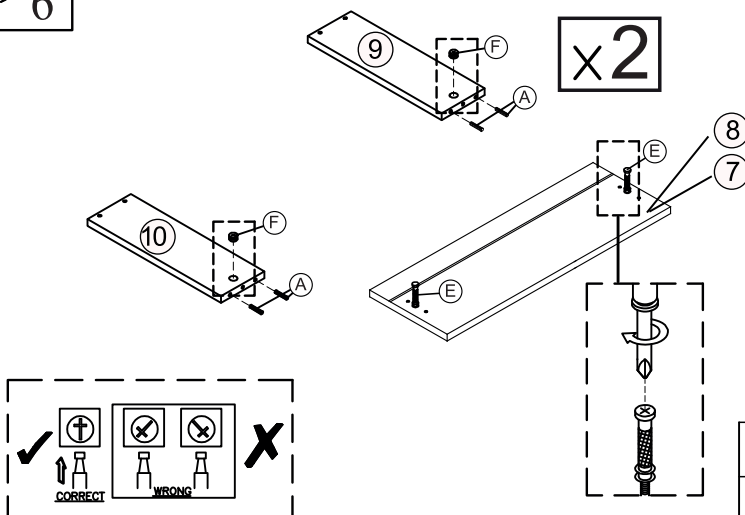





STEP 5



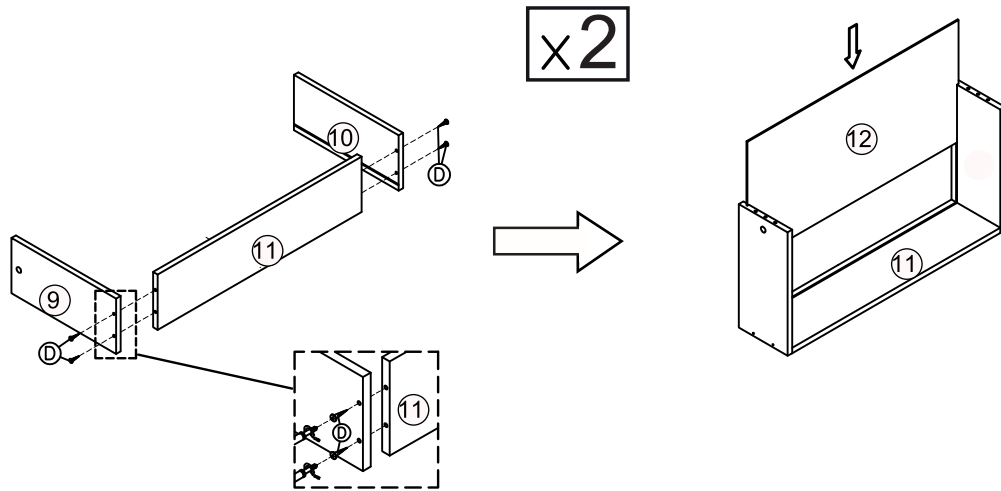
K	6/8" Nail		x20
---	-----------	---	-----

STEP 6



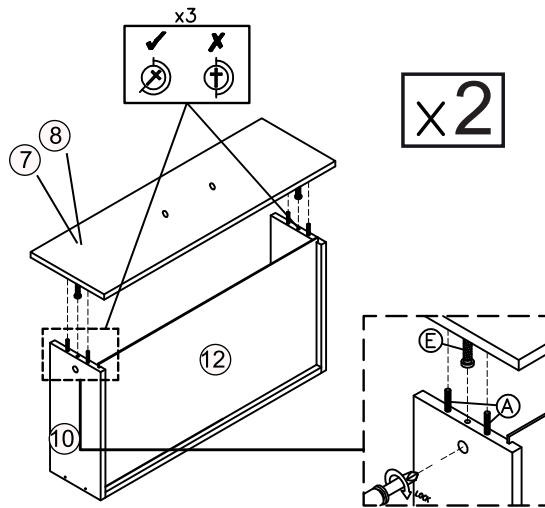
A	Wooden Dowel		x8
E	Cam Bolt		x4
F	Cam Nut		x4

STEP 7

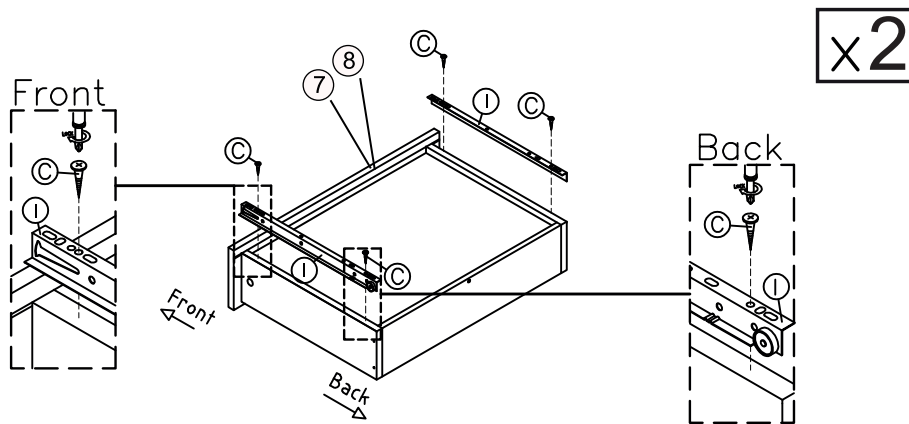




D	38mm Screw		x8
---	------------	---	----

STEP 8

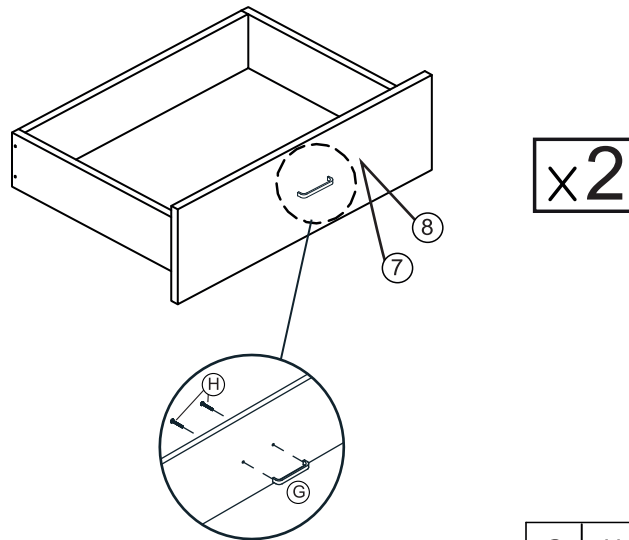




STEP 9



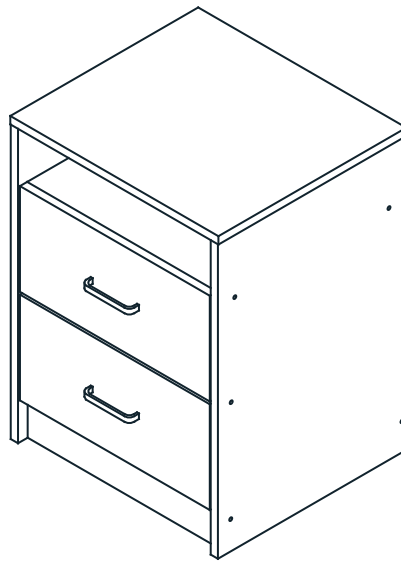
C	14mm Screw		x8
I	14" Drawer Slide		x3

STEP 10



G	Handle (96mm)		x2
H	Handle Screw		x4

STEP 11



FINISH