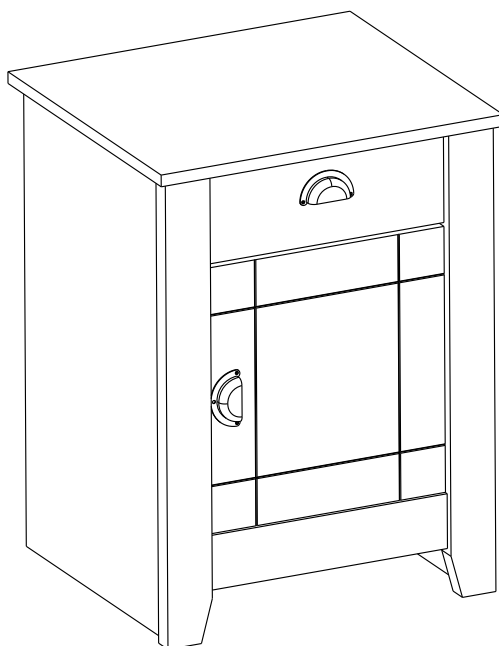


LUDLOW BEDSIDE WHITE GLOSS ASSEMBLY INSTRUCTIONS



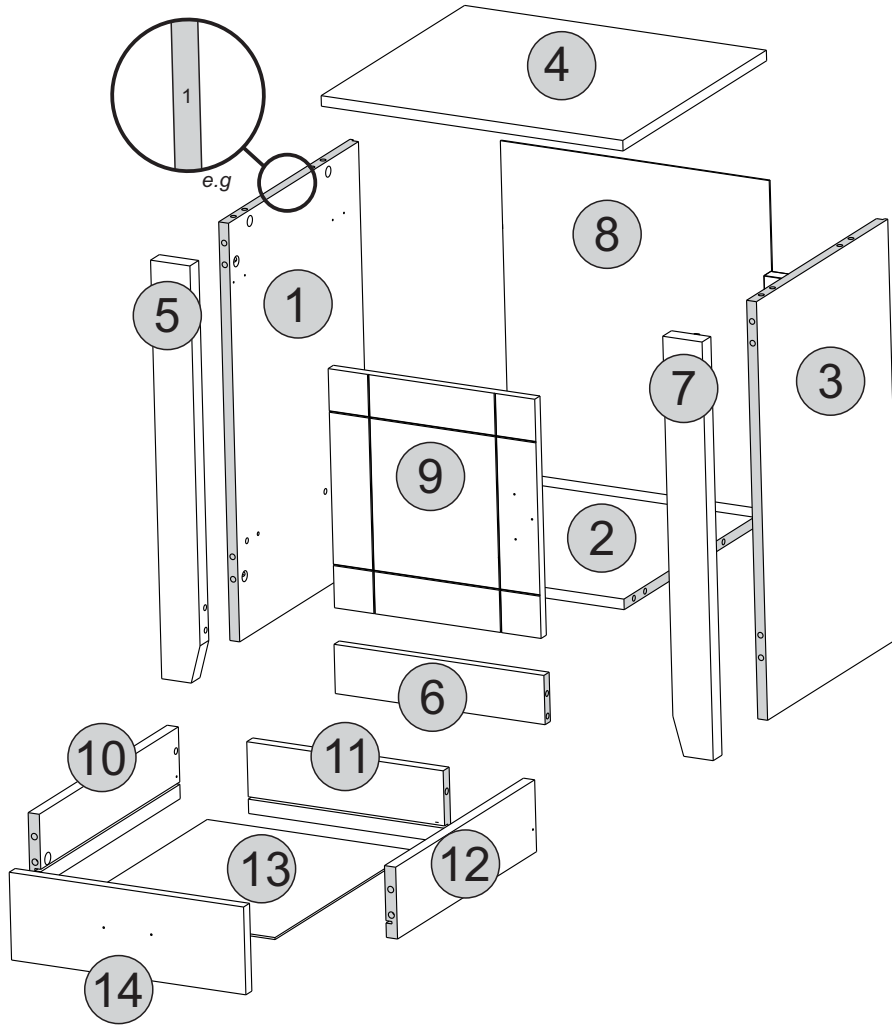
IMPORTANT FOR DOMESTIC USE ONLY

PLEASE READ BEFORE YOU CONTINUE FURTHER

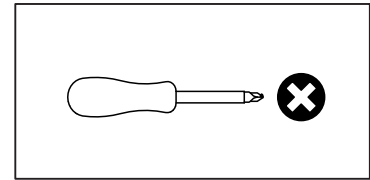
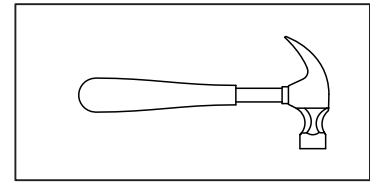
CARE AND MAINTENANCE

After unpacking this product please keep the original packaging in case it needs to be returned for any reason.

- Please ensure all fittings and parts are present before commencing with assembly.
- Never drag or push products as this could cause damage to the joints making it inferior.
- We strongly recommend that you keep children away from your work area.
- We recommend that you lay a blanket or sheet on the floor to avoid damage to both your floor and the product.
- Assemble this product as close to its final position as possible.
- Do not place this product next to a radiator or in direct sunlight.
- Do not drag or push items across your high gloss furniture as this may cause the surface to scratch
- Wood is a natural product and may expand if subjected to damp and may shrink or crack if subjected to heat. Therefore it is recommended that room temperature is maintained, with no sudden temperature fluctuations.
- Make sure any spillage is wiped off immediately.
- Do not place hot or chilled items directly on to the surface, use a place mat or marking will occur.
- For general cleaning use a soft cotton or micro fibre cloth, and do not use detergents of any kind.
- From time to time it may be necessary to tighten fittings, regular inspections should be carried out.
- Do not place on a wet or damp floor as staining may occur to your floor.



TOOLS REQUIRED



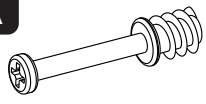

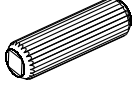
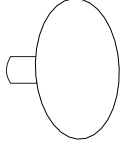
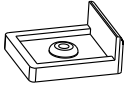


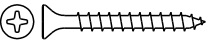

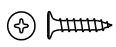
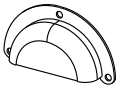
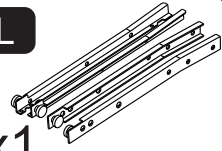
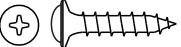
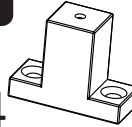
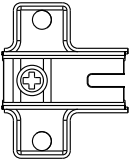
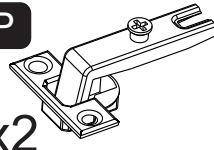
PARTS LIST

Please Note:

The below parts have been stamped with the part number to help identify them during assembly.

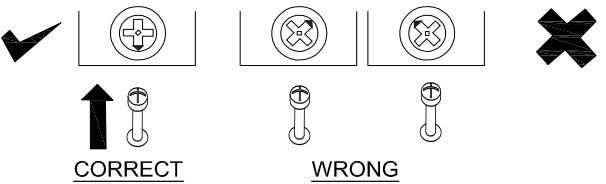
Part Number	Part Code	Part Description	Quantity	Carton
1	S100-103-041-DC1-01	Left Side Panel	1	1/1
2	S100-103-041-DC1-02	Base Panel	1	1/1
3	S100-103-041-DC1-03	Right Side Panel	1	1/1
4	S100-103-041-DC1-04	Top Panel	1	1/1
5	S100-103-041-DC1-05	Front Left Upright	1	1/1
6	S100-103-041-DC1-06	Crossbeam	1	1/1
7	S100-103-041-DC1-07	Front Right Upright	1	1/1
8	S100-103-041-DC1-08	Back	1	1/1
9	S100-103-041-DC1-09	Door	1	1/1
10	S100-103-041-DC1-10	Left Drawer Side	1	1/1
11	S100-103-041-DC1-11	Drawer Back	1	1/1
12	S100-103-041-DC1-12	Right Drawer Side	1	1/1
13	S100-103-041-DC1-13	Drawer Base	1	1/1
14	S100-103-041-DC1-14	Drawer Front	1	1/1

FITTINGS LIST

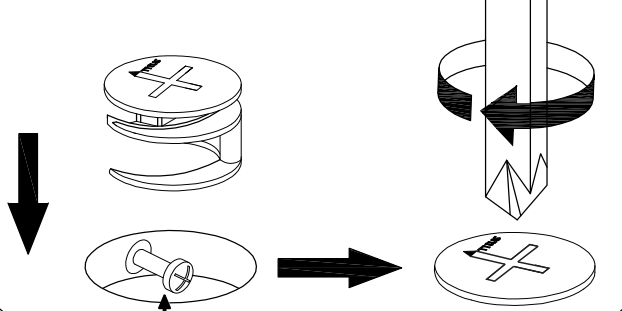
<p>A</p>  <p>x14 1/+</p>	<p>B</p>  <p>x14 1/+</p>	<p>C 8x30mm</p>  <p>x20 2/+</p>	<p>D</p>  <p>x4</p>
<p>E</p>  <p>x4 1/+</p>	<p>F GLUE</p>  <p>x1</p>	<p>G 8x8</p>  <p>x22 2/+</p>	<p>H Ø4,0 x 40</p>  <p>x2</p>
<p>I Ø3,5 x 12</p>  <p>x16 2/+</p>	<p>J Ø3,0 x 10 Black</p>  <p>x6 1/+</p>	<p>K</p>  <p>x2</p>	<p>L</p>  <p>x1</p>
<p>M Ø4,0 x 16</p>  <p>x8 1/+</p>	<p>N</p>  <p>x4</p>	<p>O</p>  <p>x2</p>	<p>P</p>  <p>x2</p>

TIPS FOR FITTING CAM-LOCKS

WHEN FITTING CAM-LOCK
ENSURE STARTING POSITION IS CORRECT
BEFORE YOU INSERT CONNECTING CAM BOLT
TURN CLOCKWISE UNTIL SECURE



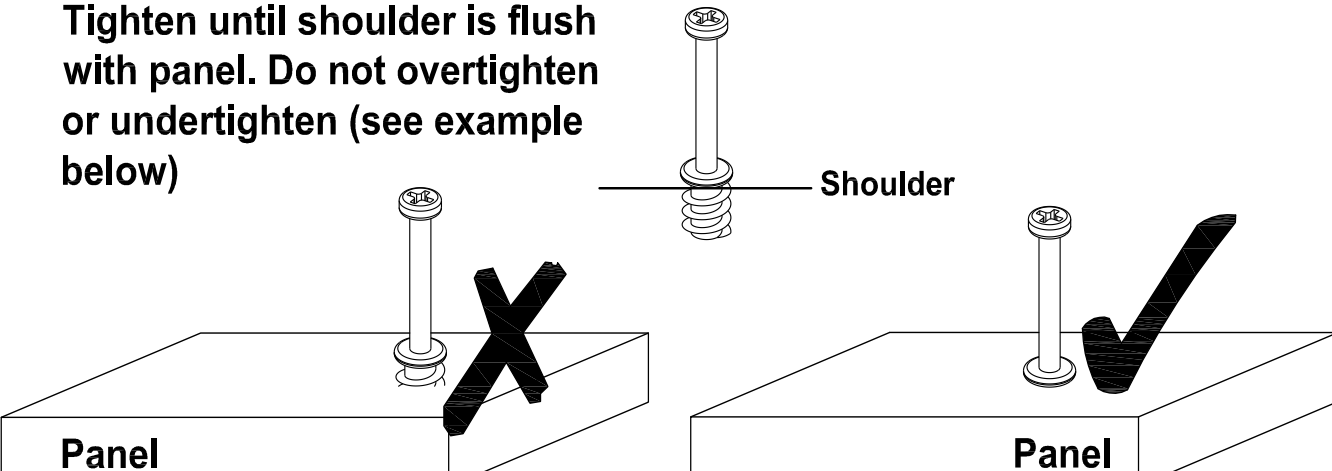
CORRECT **WRONG**



Cam bolt head needs to be in centre

CAMBOLT

Tighten until shoulder is flush with panel. Do not overtighten or undertighten (see example below)



Shoulder

Panel

Panel

STEP 1

PARTS REQUIRED

1 - LEFT SIDE PANEL x1

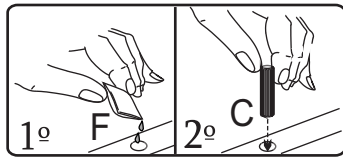
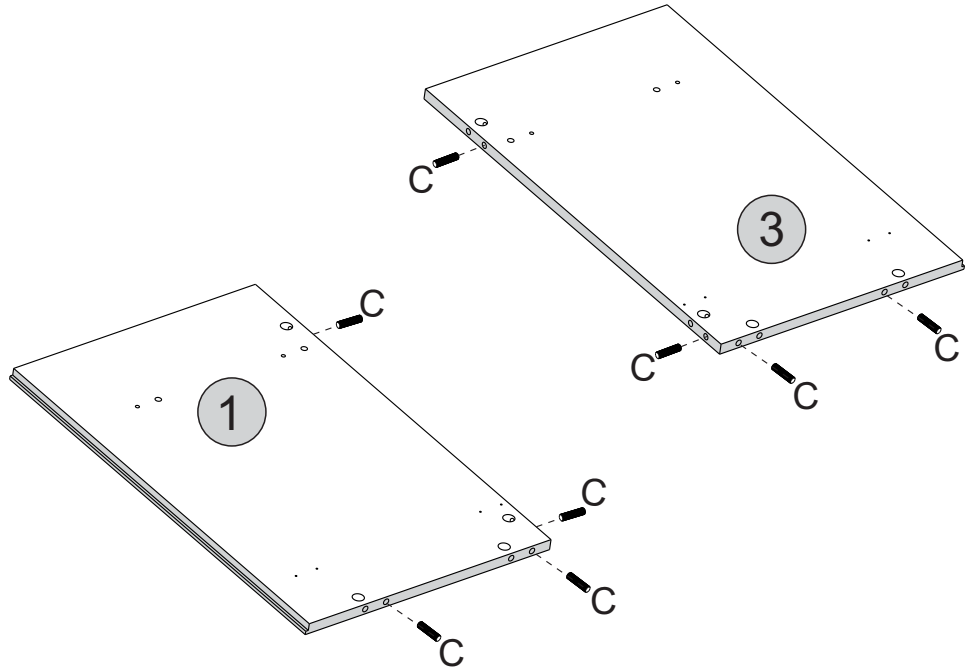
3 - RIGHT SIDE PANEL x1

HARDWARE REQUIRED

C  08
Ø8 x 30mm

F  01
GLUE

TOOLS REQUIRED



!
Glue must be added to the
dowel holes on part
1, 3


STEP 2

PARTS REQUIRED

2 - BASE PANEL x1

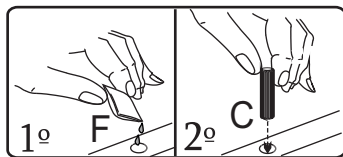
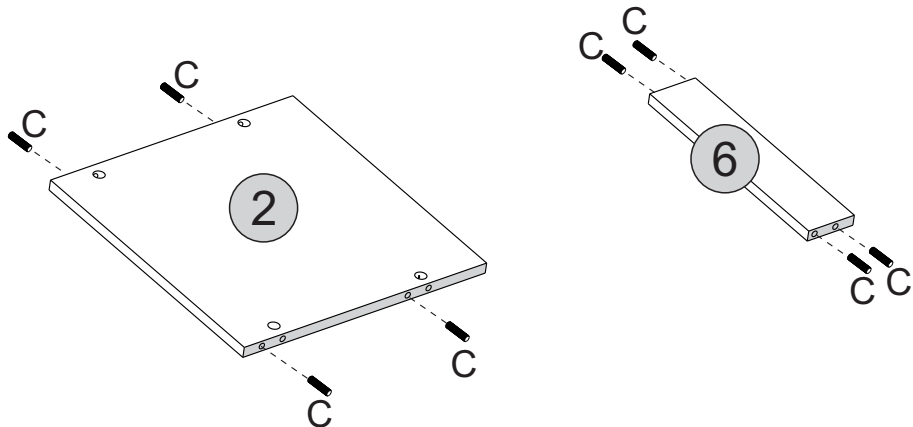
6 - CROSSBEAM x1

HARDWARE REQUIRED

C  08
Ø8 x 30mm

F  01
GLUE

TOOLS REQUIRED



!
Glue must be added to the
dowel holes on part
2, 6

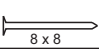
STEP 3


PARTS REQUIRED

1 - LEFT SIDE PANEL x1

HARDWARE REQUIRED

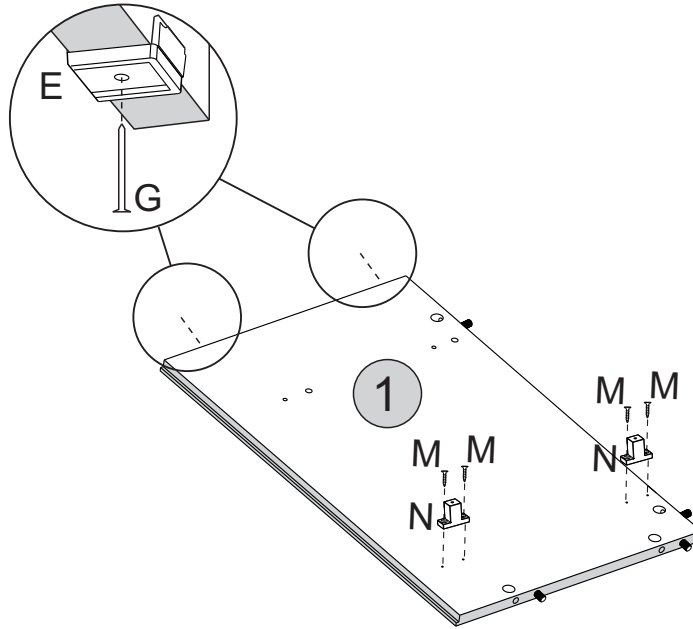
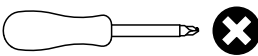
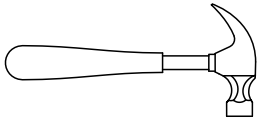
E  02

G  02

M  04

N  02

TOOLS REQUIRED



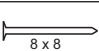
STEP 4

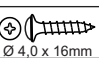
PARTS REQUIRED

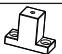
3 - RIGHT SIDE PANEL x1

HARDWARE REQUIRED

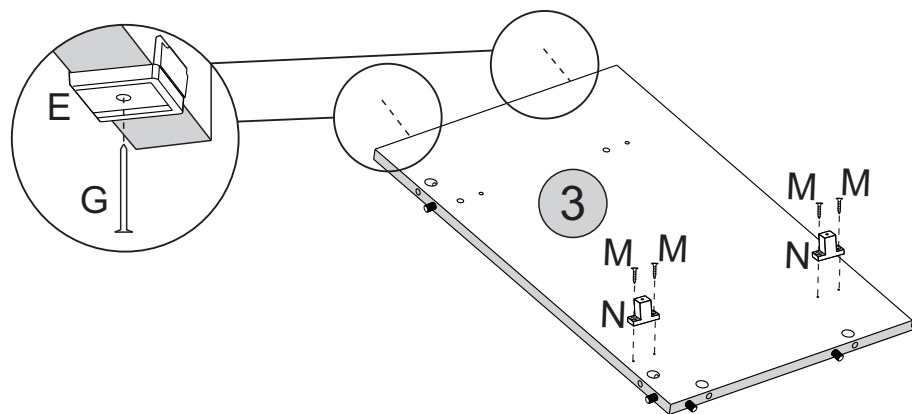
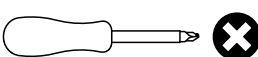
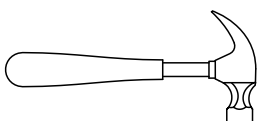
E  02

G  02

M  04

N  02

TOOLS REQUIRED

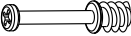


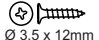
STEP 5

PARTS REQUIRED

1 - LEFT SIDE PANEL x1

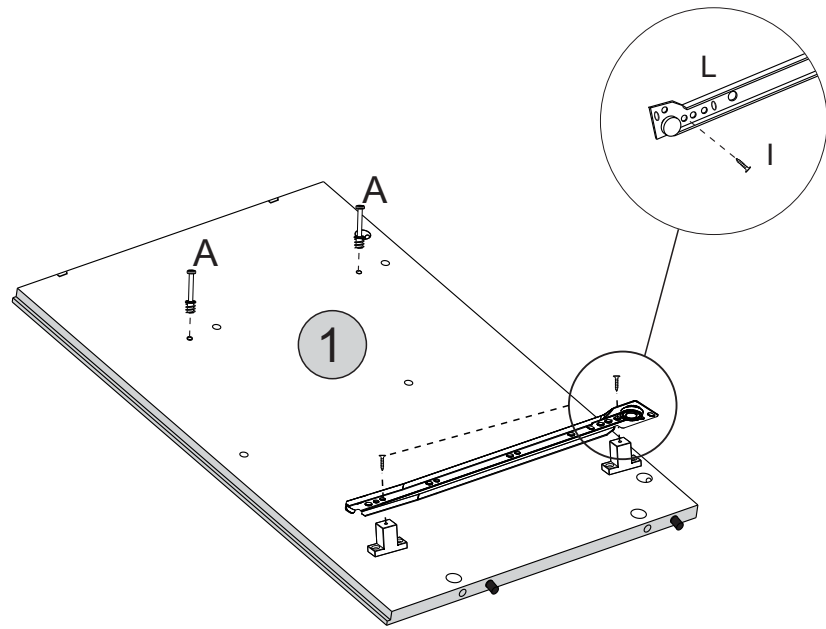
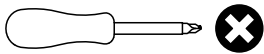
HARDWARE REQUIRED

A  02

I  02
Ø 3,5 x 12mm

L  01

TOOLS REQUIRED

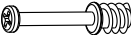


STEP 6

PARTS REQUIRED

3 - RIGHT SIDE PANEL x1

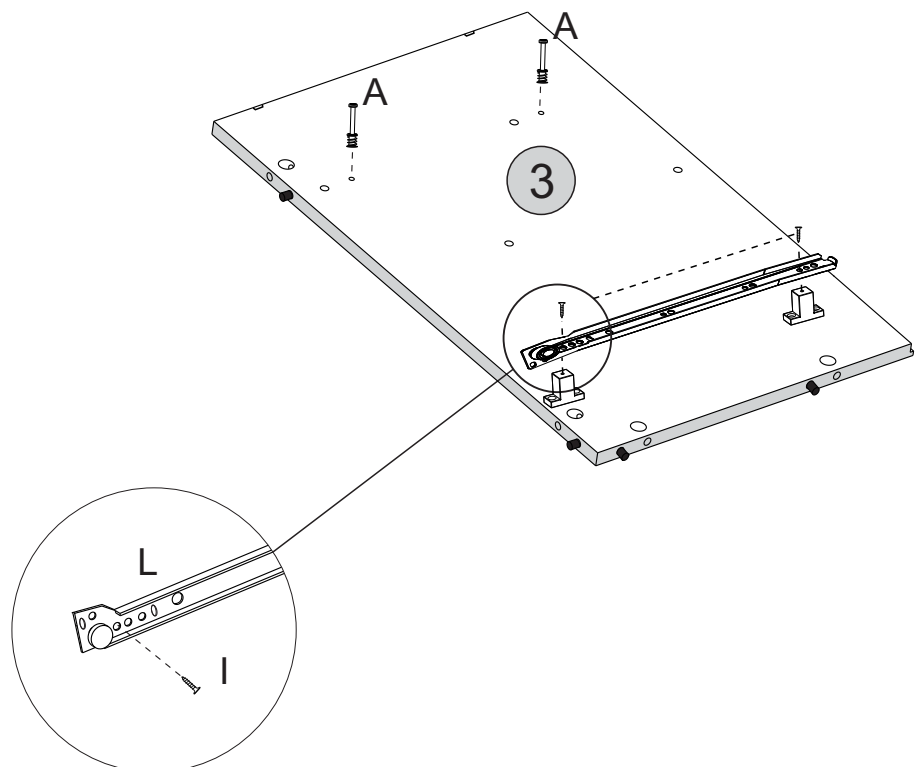
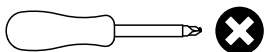
HARDWARE REQUIRED

A  02

I  02
Ø 3,5 x 12mm

L  01

TOOLS REQUIRED



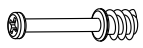
STEP 7

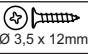
PARTS REQUIRED


5 - FRONT LEFT UPRIGHT x1

7 - FRONT RIGHT UPRIGHT x1

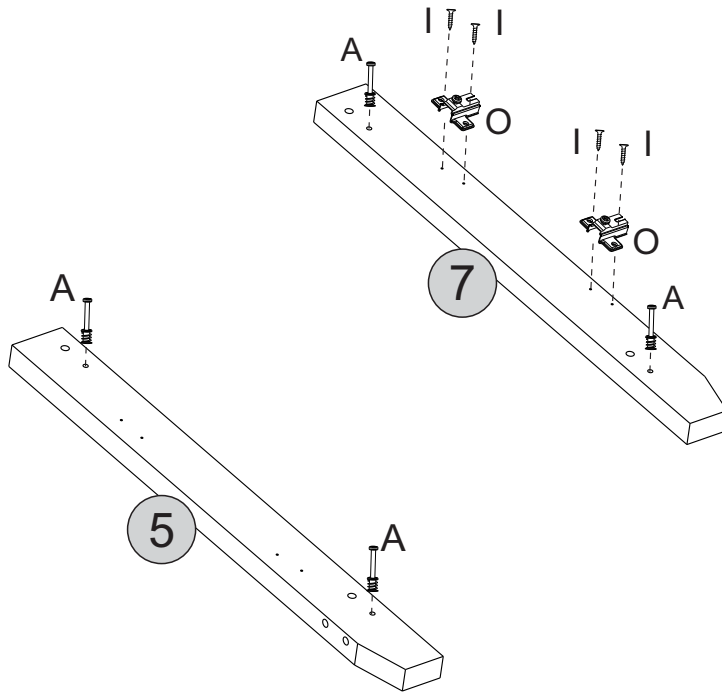
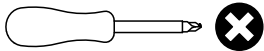
HARDWARE REQUIRED

A  04

I  04
Ø 3,5 x 12mm

O  02

TOOLS REQUIRED



Please Note:

Depending on which side you would like the door to open from, please attach the hinge brackets (O) to either 'Part 05' or 'Part 07'.

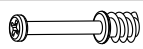
STEP 8

PARTS REQUIRED

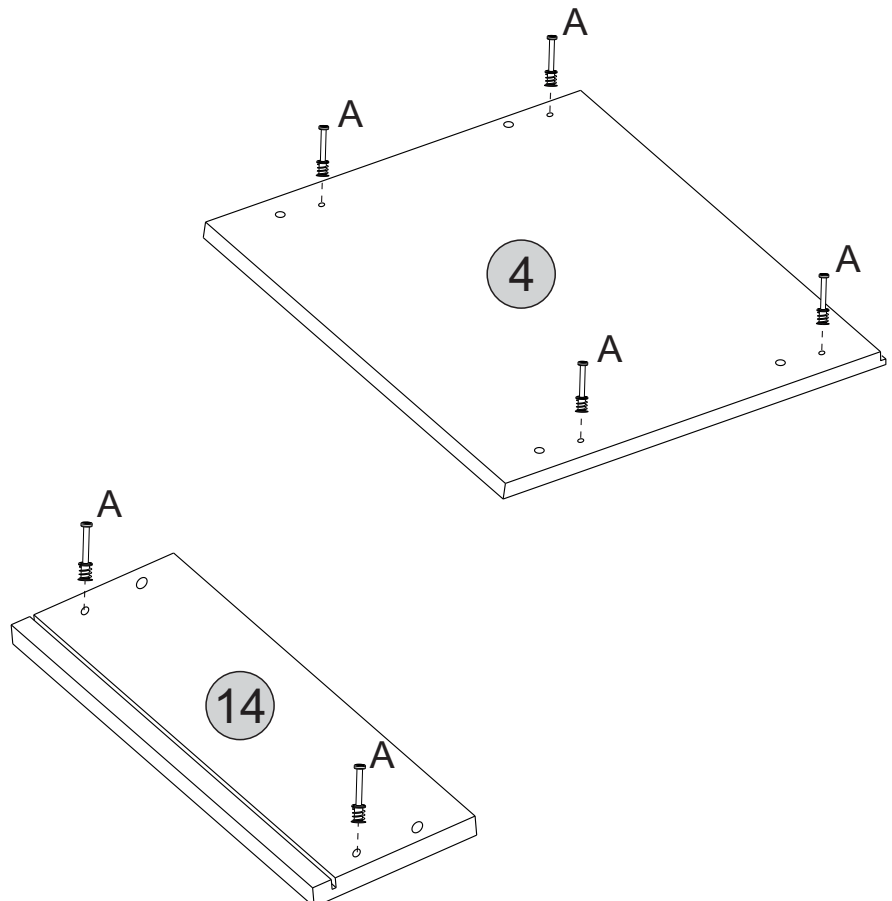
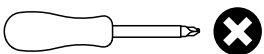
4 - TOP PANEL x1

14 - DRAWER FRONT x1

HARDWARE REQUIRED

A  06

TOOLS REQUIRED





STEP 9

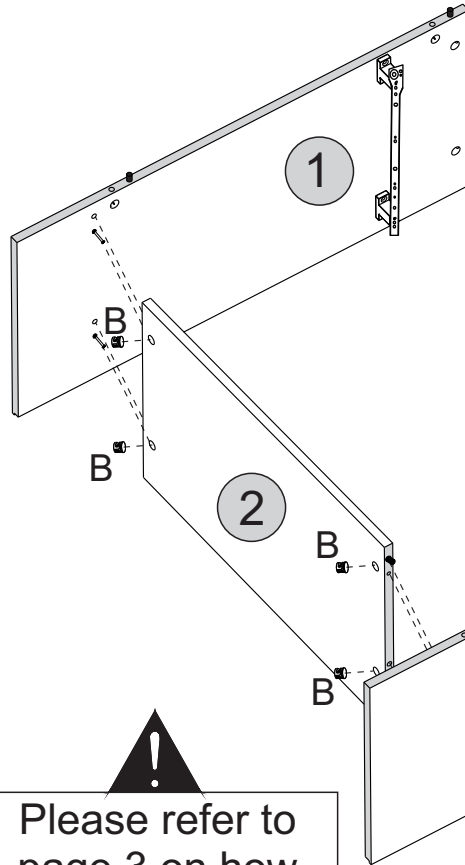
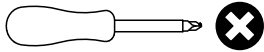
PARTS REQUIRED

- 1 - LEFT SIDE PANEL x1
- 2 - BASE PANEL x1
- 3 - RIGHT SIDE PANEL x1

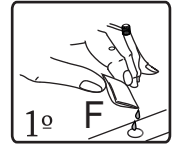
HARDWARE REQUIRED

- B  04
- F  01

TOOLS REQUIRED



Glue must be added to the
dowel holes on part
1, 3

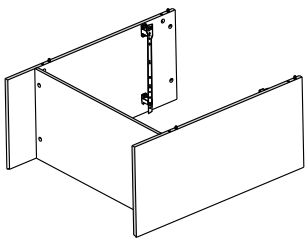


! Please refer to
page 3 on how
to use cams
correctly.

STEP 10

PARTS REQUIRED

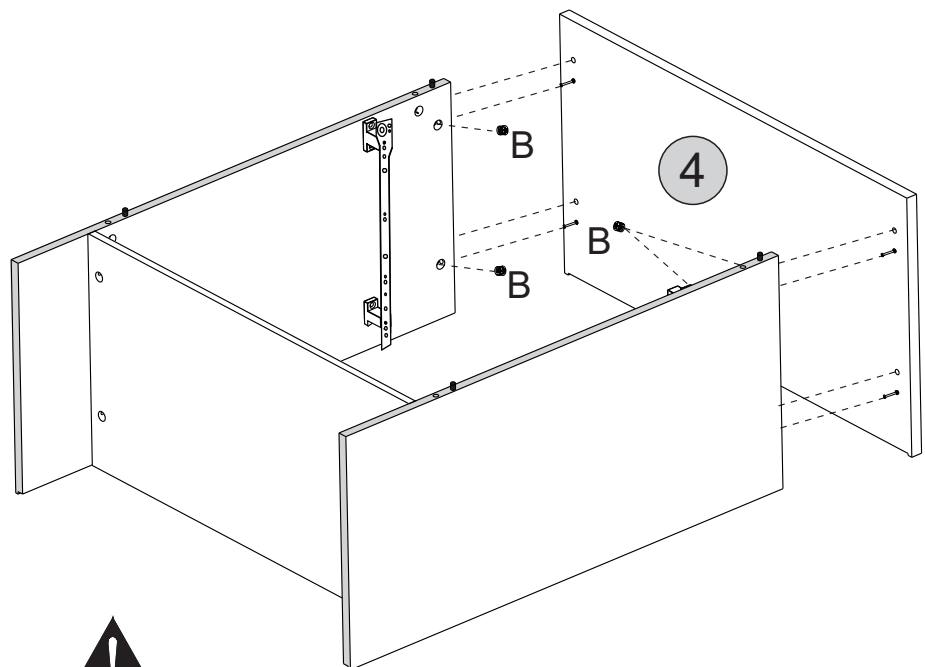
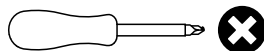
- 4 - TOP PANEL x1



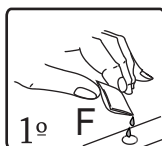
HARDWARE REQUIRED

- B  04
- F  01

TOOLS REQUIRED



! Glue must be added to the
dowel holes on part
4.

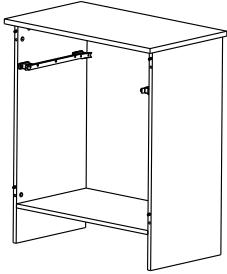


! Please refer to
page 3 on how
to use cams
correctly.



STEP 11

PARTS REQUIRED

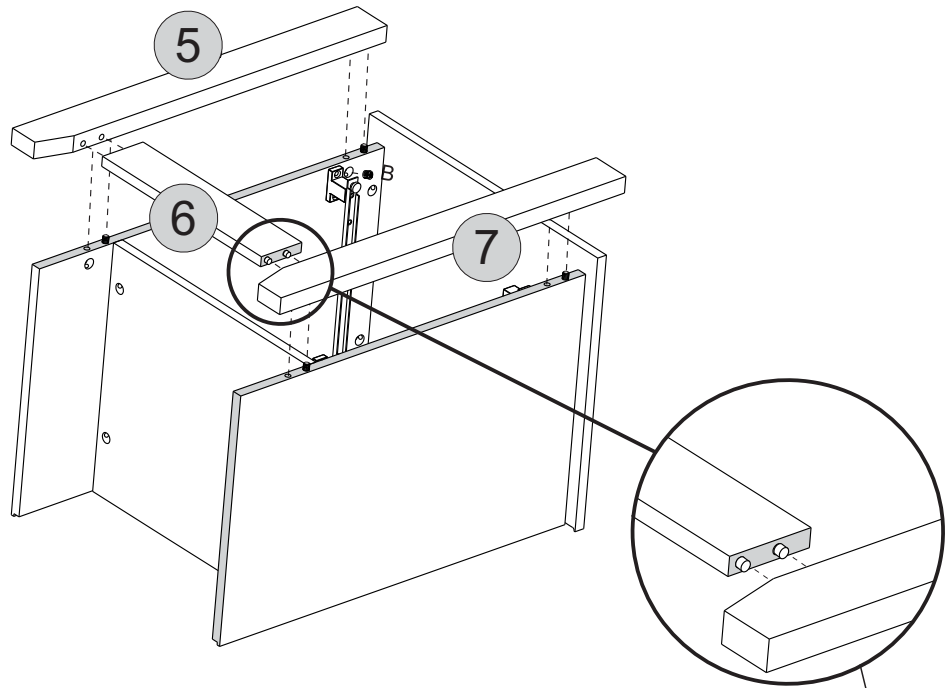
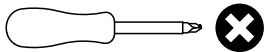
- 5 - FRONT LEFT UPRIGHT x1
- 6 - CROSSBEAM x1
- 7 - FRONT RIGHT UPRIGHT x1



HARDWARE REQUIRED

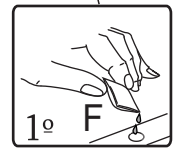
- B  04
- F  01

TOOLS REQUIRED



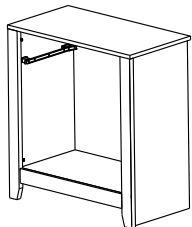
!
Please refer to page 3 on how to use cams correctly.

!
Glue must be added to the dowel holes on part 5, 7



STEP 12

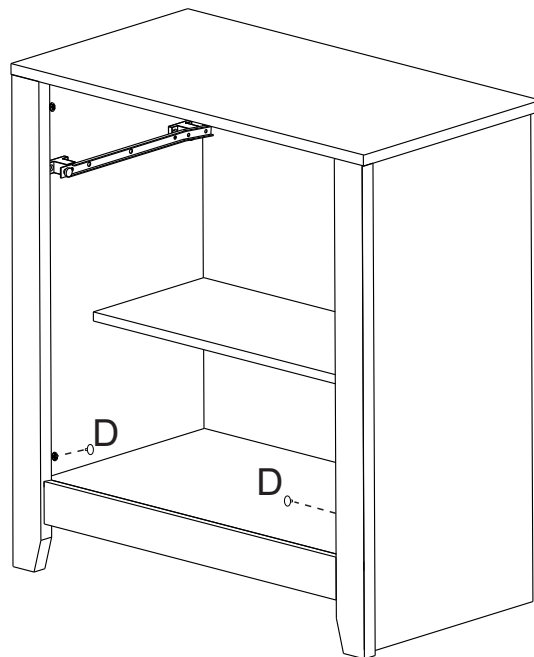
PARTS REQUIRED



HARDWARE REQUIRED

- D  02

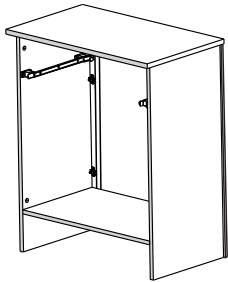
TOOLS REQUIRED



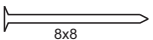
STEP 13

PARTS REQUIRED

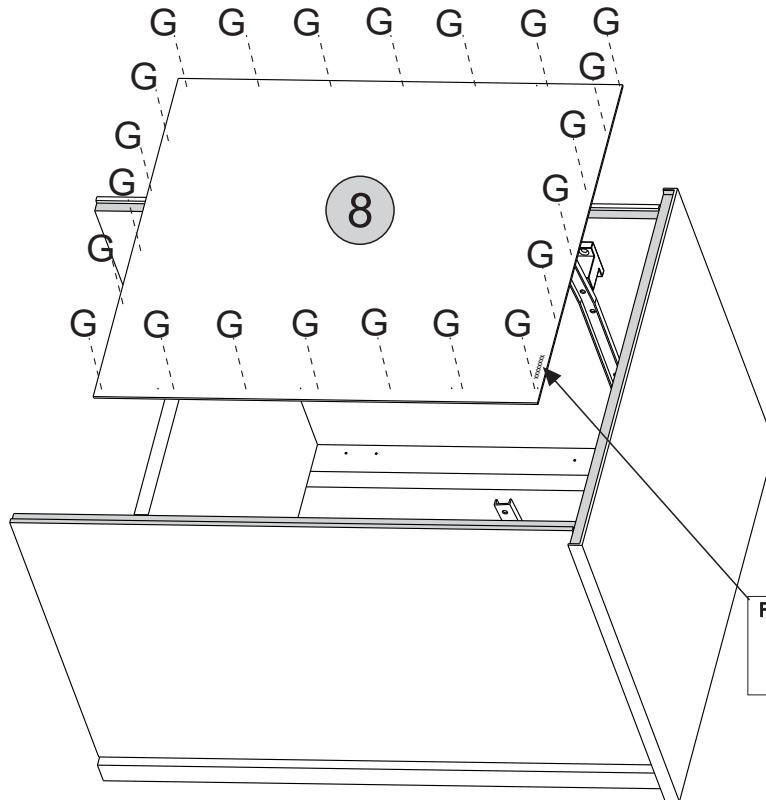
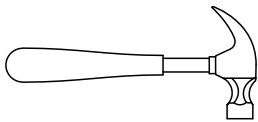
8 - BACK PANEL x1



HARDWARE REQUIRED

G  22

TOOLS REQUIRED



STEP 14

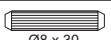
PARTS REQUIRED

10 - LEFT DRAWER SIDE x1

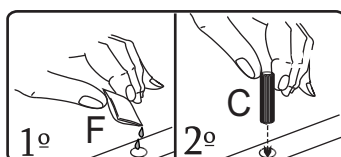
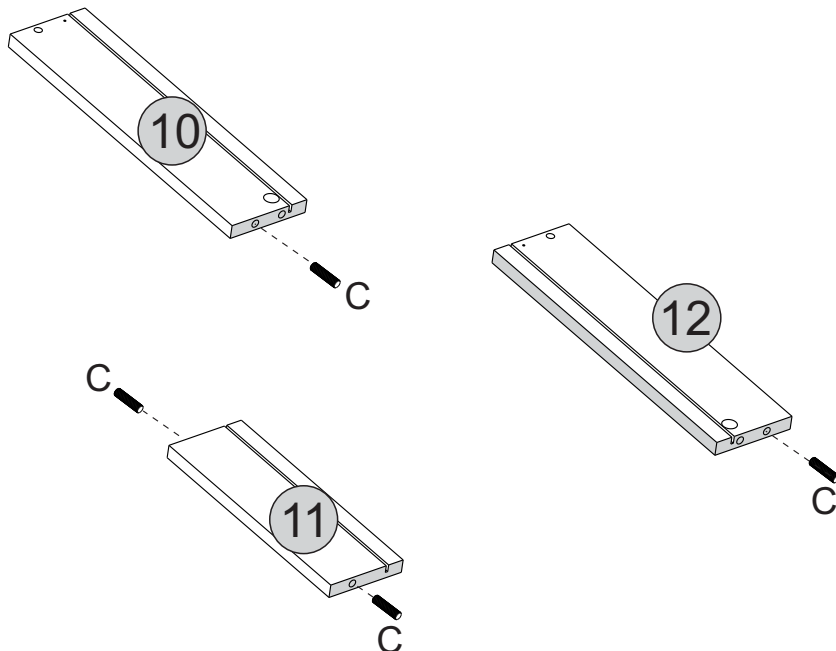
11 - DRAWER BACK x1


12 - RIGHT DRAWER SIDE x1

HARDWARE REQUIRED

C  04

F  01




Glue must be added to the
dowel holes on part
10, 11, 12

STEP 15


PARTS REQUIRED

10 - LEFT DRAWER SIDE x1

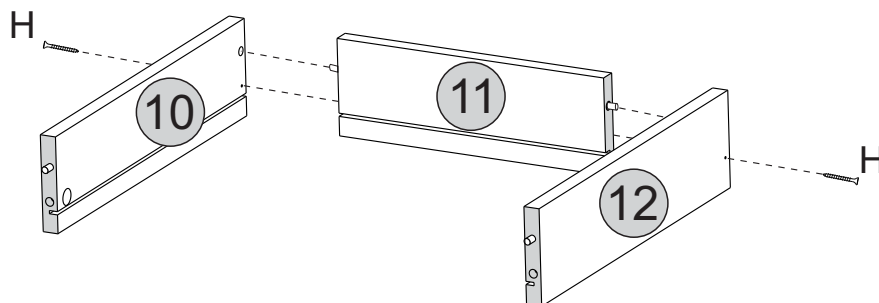
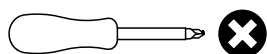
11 - DRAWER BACK x1

12 - RIGHT DRAWER SIDE x1

HARDWARE REQUIRED

H  02
Ø 4,0 x 40mm

TOOLS REQUIRED

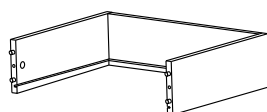


STEP 16

PARTS REQUIRED


13 - DRAWER BASE x1

14 - DRAWER FRONT x1



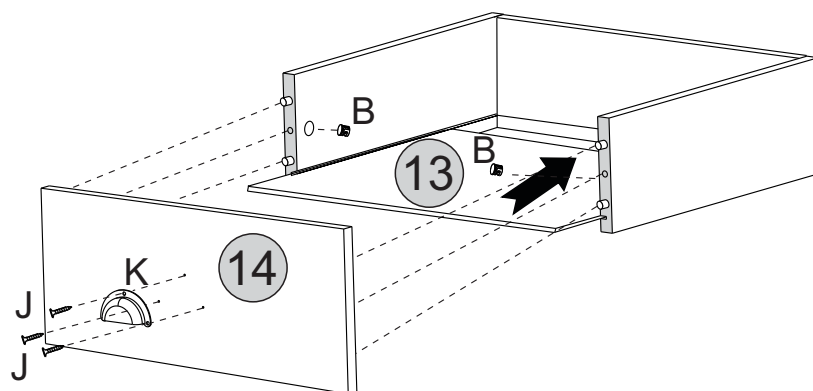
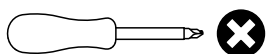
HARDWARE REQUIRED

B  02

J  03
Ø 3,5 x 10

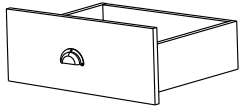
K  01

TOOLS REQUIRED

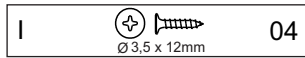


STEP 17

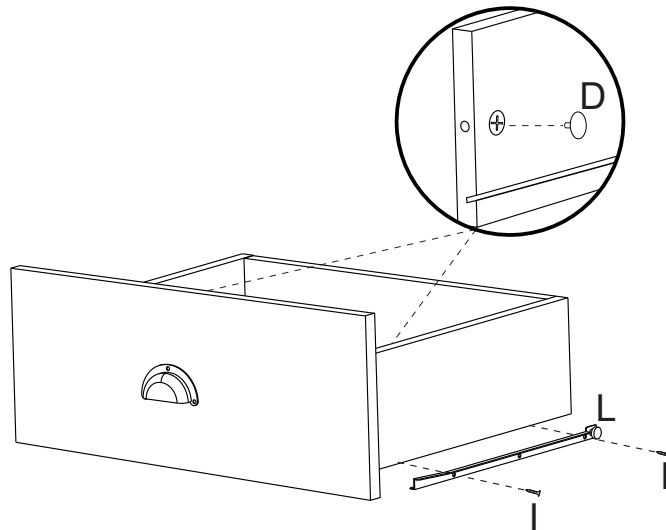
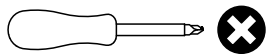
PARTS REQUIRED



HARDWARE REQUIRED



TOOLS REQUIRED

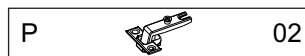
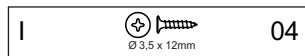


STEP 18

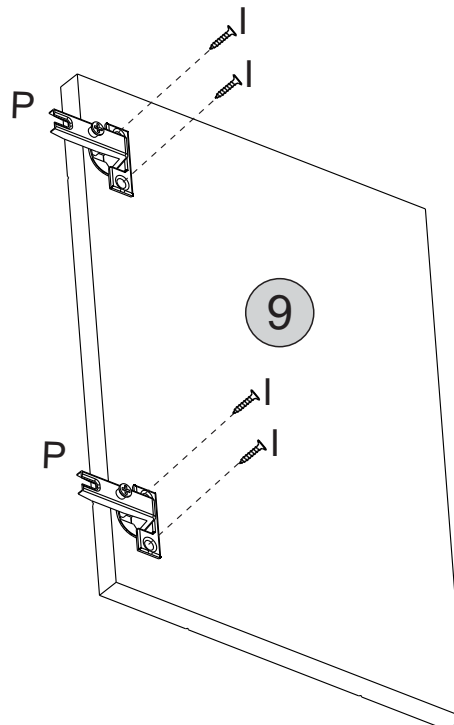
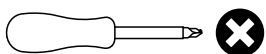
PARTS REQUIRED



HARDWARE REQUIRED



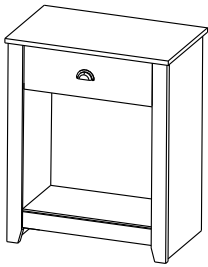
TOOLS REQUIRED



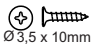
STEP 19

PARTS REQUIRED

9 - DOOR x1

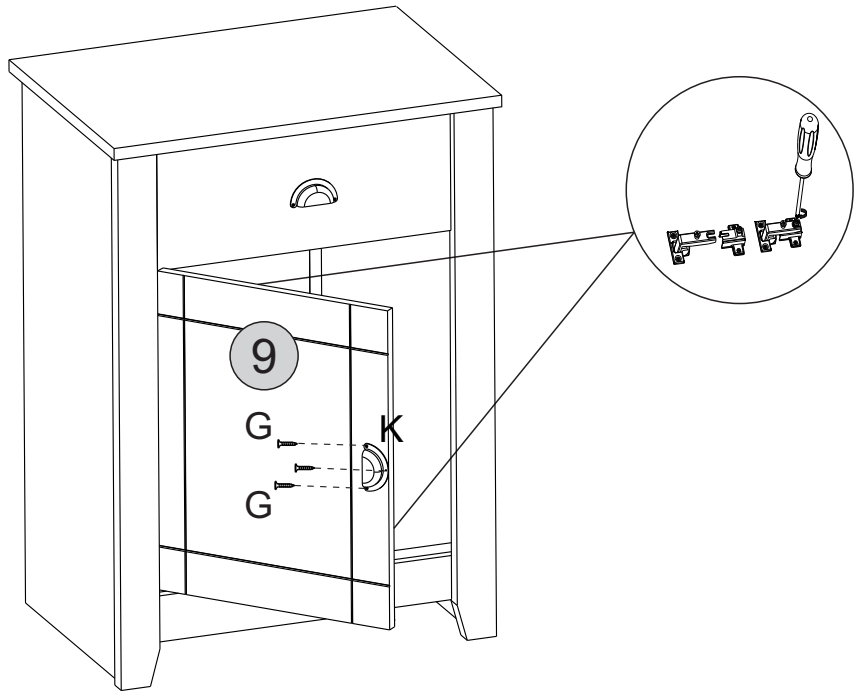
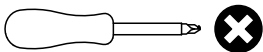


HARDWARE REQUIRED

J  03
Ø3,5 x 10mm

K  01

TOOLS REQUIRED



SHOULD THE DOORS OF YOUR BEDSIDE NOT APPEAR EVEN WHEN CLOSED THEY MAY NEED ADJUSTING. THIS CAN BE DONE AS FOLLOWS: LOOSEN SCREW (W) A LITTLE. BY TURNING SCREW (Z) EITHER CLOCKWISE OR ANTICLOCKWISE (IN OR OUT) THE HINGE CAN BE ADJUSTED AND THE DOOR CORRECTLY ALIGNED. IF MORE THAN ONE HINGE NEEDS ATTENTION PLEASE ADJUST ONE AT A TIME. IF IN DOUBT PLEASE SEEK PROFESSIONAL HELP.

