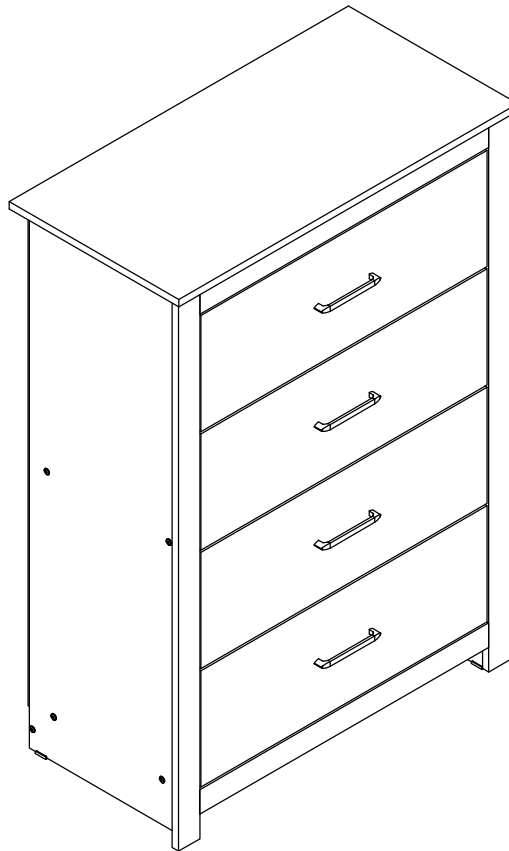
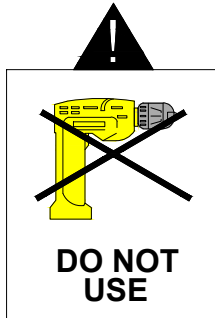


WHITE / OAK EFFECT PORTLAND 4 DRAWER CHEST ASSEMBLY INSTRUCTIONS



IMPORTANT FOR DOMESTIC USE ONLY PLEASE READ BEFORE YOU CONTINUE FURTHER

THE PRODUCT YOU HAVE PURCHASED WILL GIVE YOU MANY YEARS OF SERVICE IF YOU FOLLOW THE GUIDELINES FOR ITS SAFE ASSEMBLY AND PERIODIC MAINTENANCE AND CLEANING.

ASSEMBLE ON A SOFT CLEAN SURFACE.

DO NOT USE ANY TOOLS OTHER THAN THOSE SHOWN.

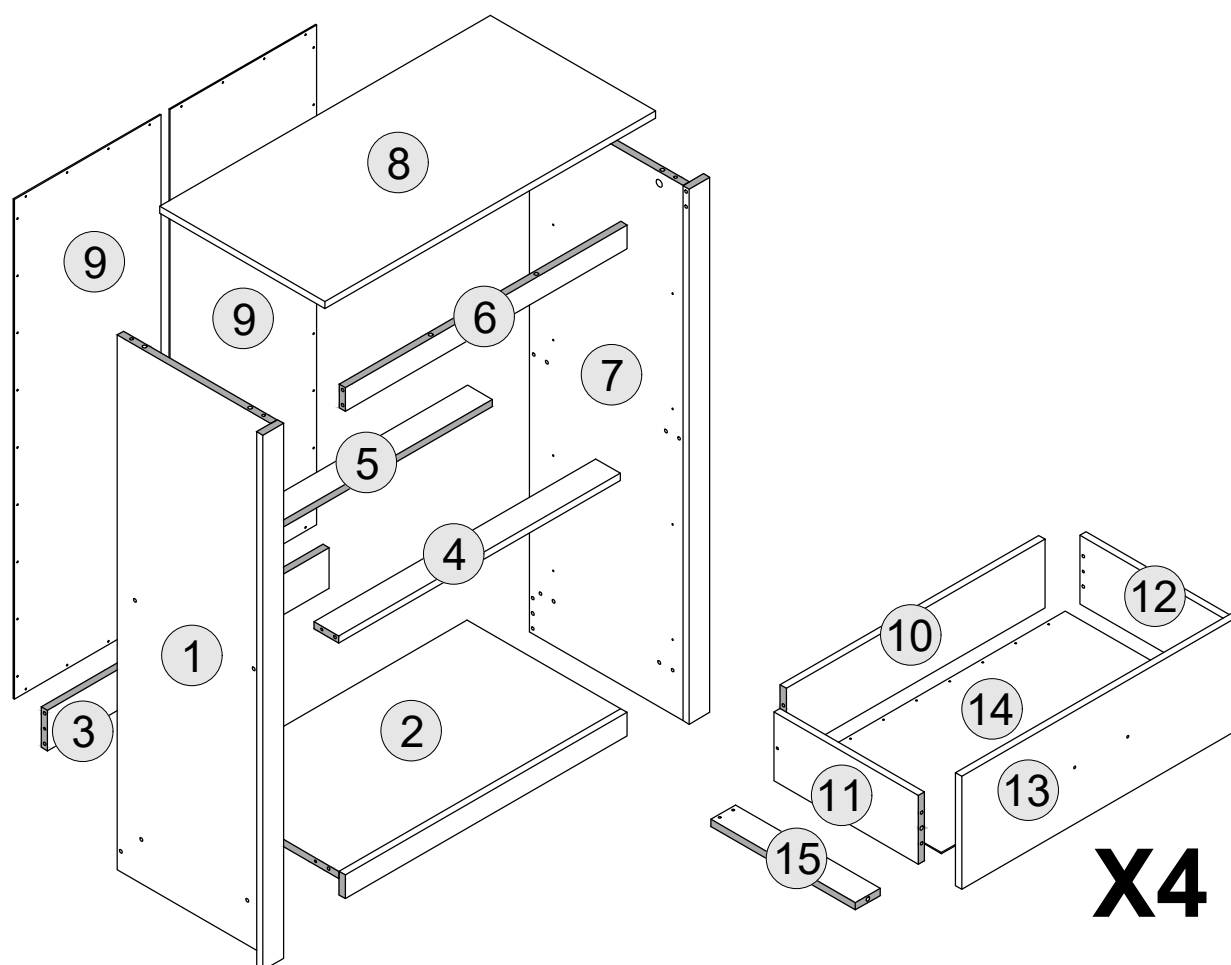
ANY SPANNERS OR ALLEN KEYS REQUIRED ARE INCLUDED WITH THE FITTINGS KIT.

DO NOT FOR ANY REASON USE A POWER TOOL TO ASSEMBLE THIS PRODUCT. ITS USE WILL INVALIDATE ANY CLAIM YOU MAY HAVE AND COULD MAKE THIS PRODUCT UNSAFE.

DEPENDING ON THE AMOUNT OF USE THIS PRODUCT RECEIVES IT MAY BE NECESSARY TO TIGHTEN UP THE FIXINGS FROM TIME TO TIME. THIS IS COMPLETELY NORMAL FOR ANY FLAT PACK FURNITURE. DO NOT OVERTIGHTEN FIXING.

FOR CLEANING, YOU MAY USE A DAMP CLOTH (NOT WET) DO NOT USE POLISH, DETERGENT OR CHEMICAL CLEANERS.



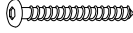
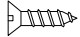


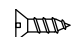
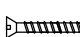

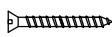


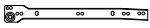




THE SURFACE OF THIS ITEM IS NOT HEAT RESISTANT. ALWAYS USE A PLACE MAT UNDER HOT OR COLD ITEMS TO PREVENT MARKING.

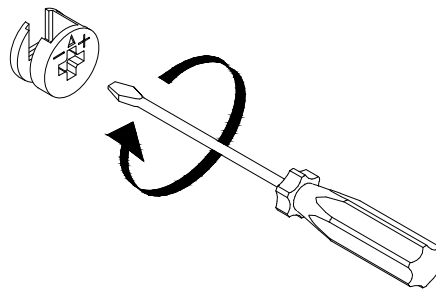


PART LIST

Part Number	Part Code	Part Description	Quantity	Carton
1	S100-102-185-EU1-01	Side Panel - Left	1	1/2
2	S100-102-185-EU1-02	Bottom Panel	1	2/2
3	S100-102-185-EU1-03	Base Apron	1	2/2
4	S100-102-185-EU1-04	Front Crossbar	1	2/2
5	S100-102-185-EU1-05	Back Crossbar	1	2/2
6	S100-102-185-EU1-06	Top Frame	1	2/2
7	S100-102-185-EU1-07	Side Panel - Right	1	1/2
8	S100-102-185-EU1-08	Top Panel	1	2/2
9	S100-102-185-EU1-09	Back Panel	2	1/2
10	S100-102-185-EU1-10	Drawer Back	4	2/2
11	S100-102-185-EU1-11	Drawer Side - Left	4	1/2
12	S100-102-185-EU1-12	Drawer Side - Right	4	1/2
13	S100-102-185-EU1-13	Drawer Front	4	2/2
14	S100-102-185-EU1-14	Drawer Base	4	1/2
15	S100-102-185-EU1-15	Drawer Base Support Rail	4	2/2

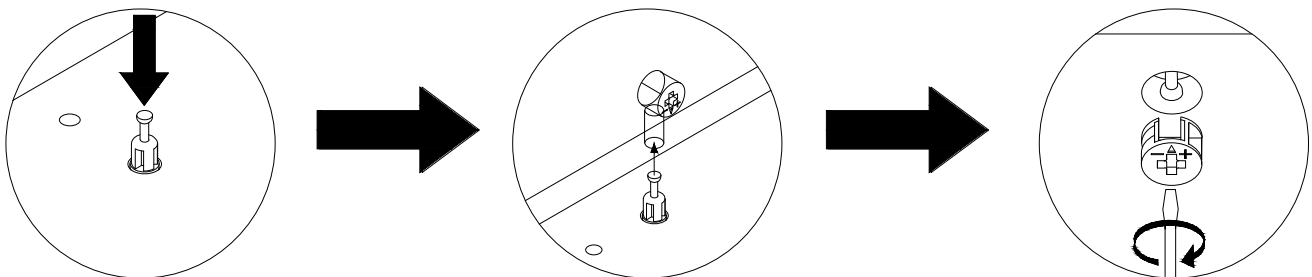
HARDWARE LIST

A		DOWEL 6 X 30MM	54 PCS
B		CAM BOLT + CAM NUT	18 SETS
C		BOLT M6 X 50MM	10 PCS
D		SCREW M3.5 X 16MM	28 PCS
E		TACK	34 PCS
F		PLASTIC FOOT	4 PCS
G		SCREW M3.5 X 12MM	64 PCS
H		SCREW M4 X 30MM	8 PCS
I		ALLEN KEY	1 PC
J		SCREW M4 X 38MM	8 PCS
K		HANDLE SCREW 20MM	8 PCS
L		PLASTIC H STRIP	1 PC
M		DRAWER RUNNER A - L/R	8 PCS
N		DRAWER RUNNER B - L/R	8 PCS
O		HANDLE	4 PCS
P		ANTI - TIP STRAP	2 PCS
Q		SCREW M4 X 16MM	2 PCS



(SCREWDRIVER NOT PROVIDED)

USE A FLAT HEAD SCREWDRIVER TO TIGHTEN THE CAM NUTS. A QUARTER TURN CLOCKWISE IS ALL THAT IS NEEDED.



STEP 1 - PUSH CAM BOLT INTO INSERT

STEP 2 - ALIGN THE CAM BOLT WITH THE HOLE AND PUSH TOGETHER UNTIL FLUSH. (MAKE SURE THE ARROW OF THE CAM LOCK IS POINTING TOWARD THE EDGE OF THE PANEL.)

STEP 3 - THE HEAD OF THE BOLT GOES INTO THE WIDE MOUTH OF THE CAM LOCK. YOU THEN TURN THE LOCK SO THE NARROW PART CLOSES OVER THE BOLT.

STEP 1

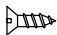
PARTS REQUIRED

1 - SIDE PANEL - LEFT x1

HARDWARE REQUIRED

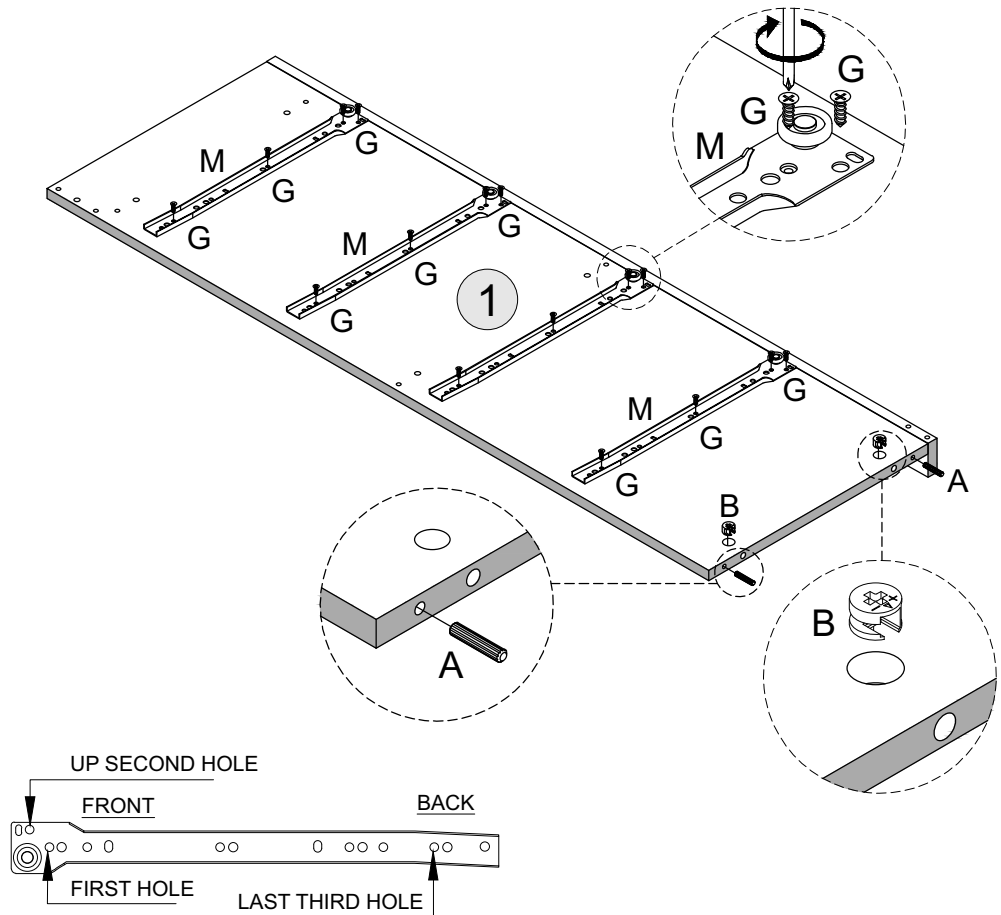
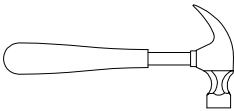
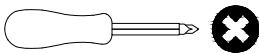
A  02

B  02

G  16

M  04

TOOLS REQUIRED



STEP 2

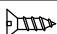
PARTS REQUIRED

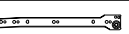
7 - SIDE PANEL - RIGHT x1

HARDWARE REQUIRED

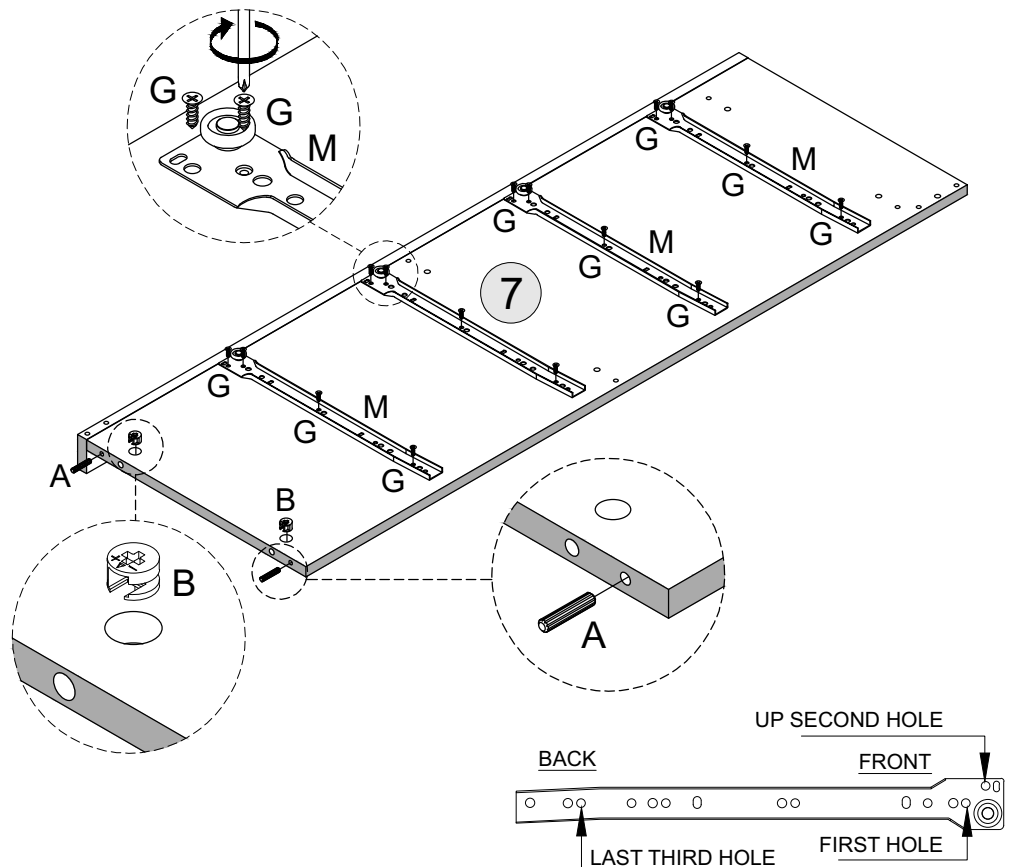
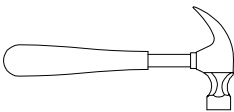
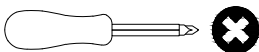
A  02

B  02

G  16

M  04

TOOLS REQUIRED





STEP 3

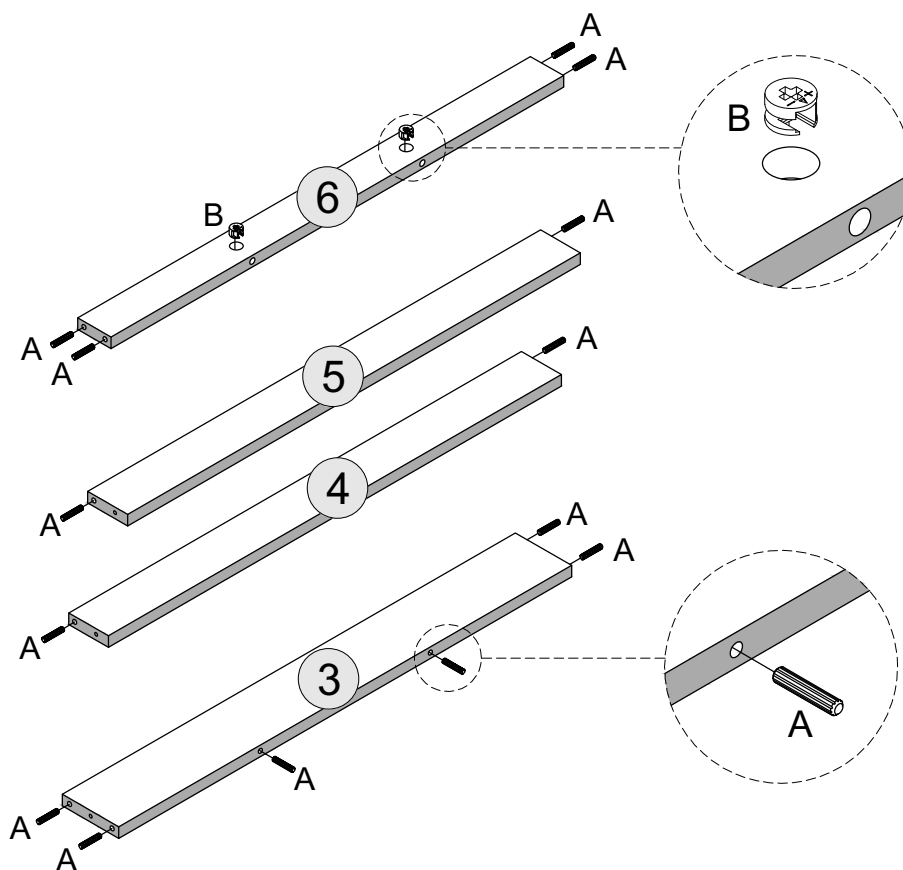
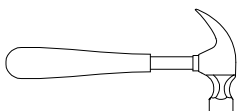
PARTS REQUIRED

3 - BASE APRON	x1
4 - FRONT CROSSBAR	x1
5 - BACK CROSSBAR	x1
6 - TOP FRAME	x1

HARDWARE REQUIRED

A		14
B		02

TOOLS REQUIRED





STEP 4

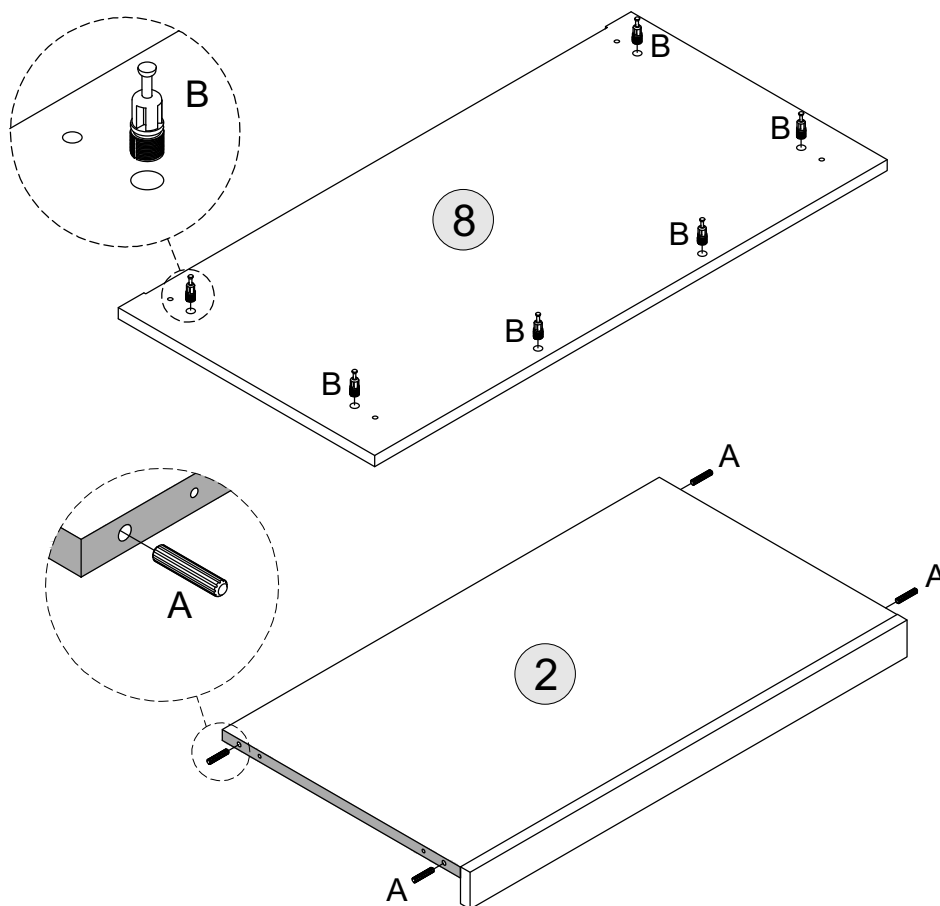
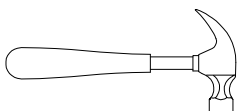
PARTS REQUIRED

2 - BOTTOM PANEL	x1
8 - TOP PANEL	x1

HARDWARE REQUIRED

A		04
B		06

TOOLS REQUIRED



STEP 5

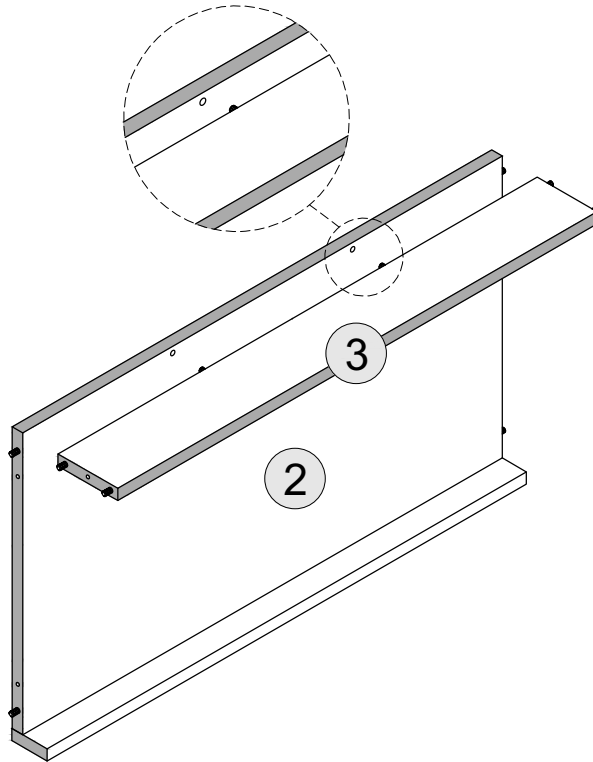
PARTS REQUIRED

2 - BOTTOM FRAME x1

3 - BASE APRON x1

HARDWARE REQUIRED

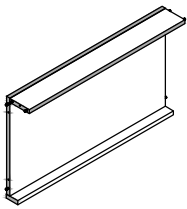
TOOLS REQUIRED



STEP 6

PARTS REQUIRED

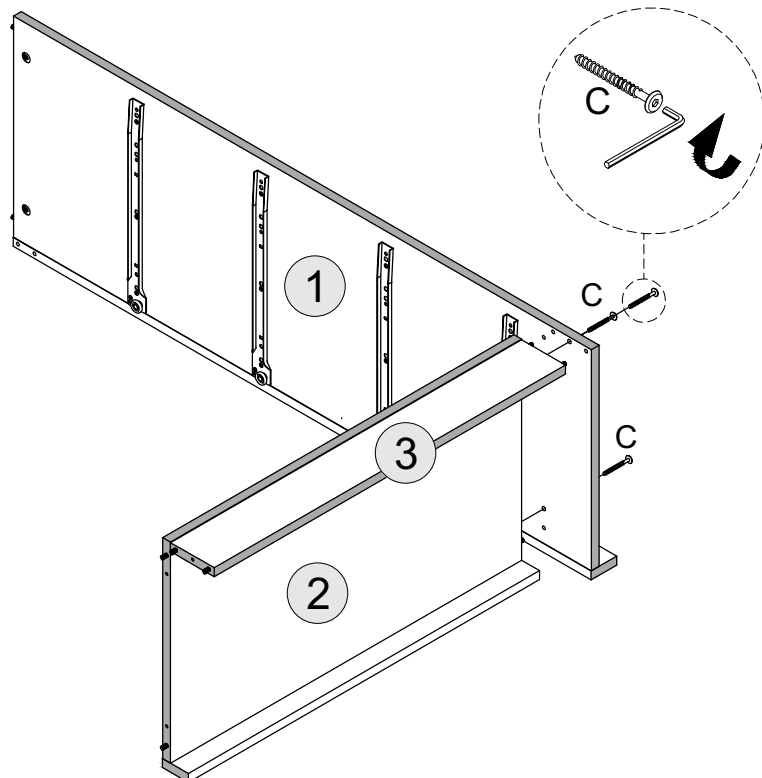
1 - SIDE PANEL - LEFT x1



HARDWARE REQUIRED

C  03

TOOLS REQUIRED



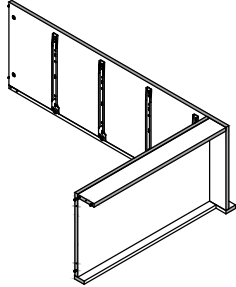
STEP 7

PARTS REQUIRED

4 - FRONT CROSSBAR x1

5 - BACK CROSSBAR x1

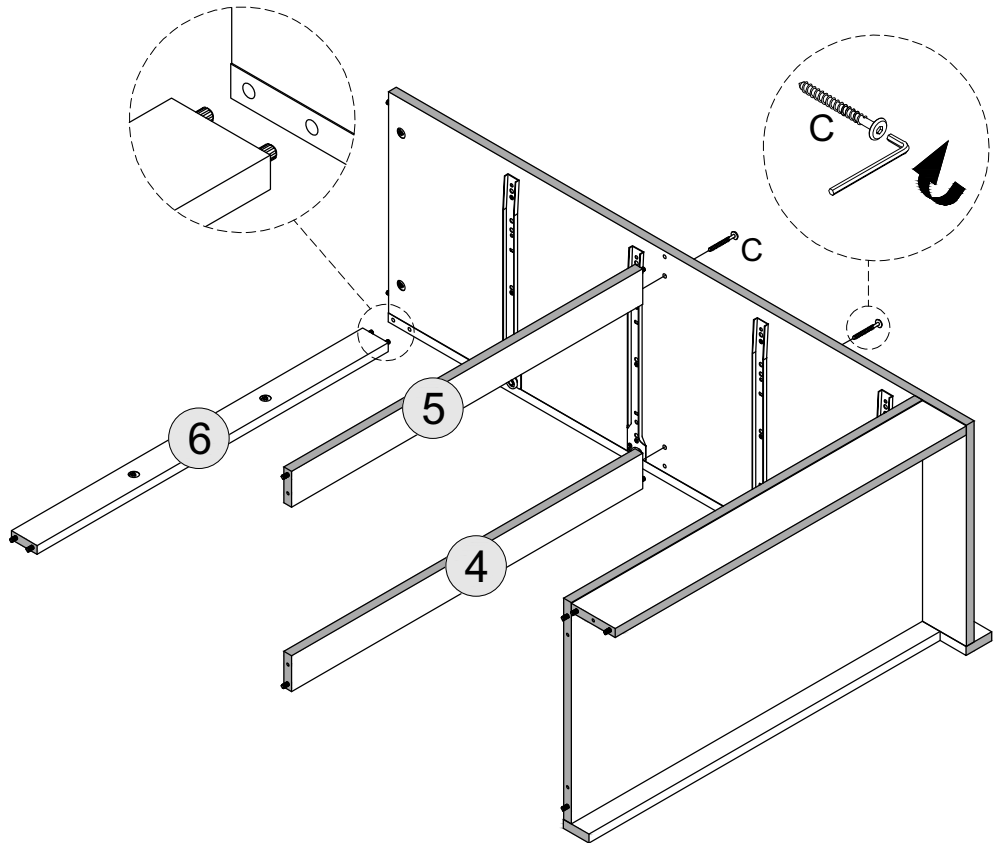
6 - TOP FRAME x1



HARDWARE REQUIRED

C  02

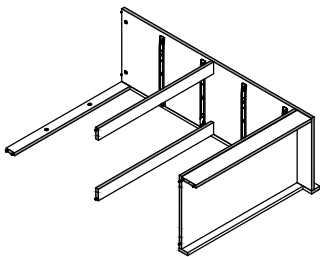
TOOLS REQUIRED



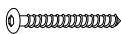
STEP 8

PARTS REQUIRED

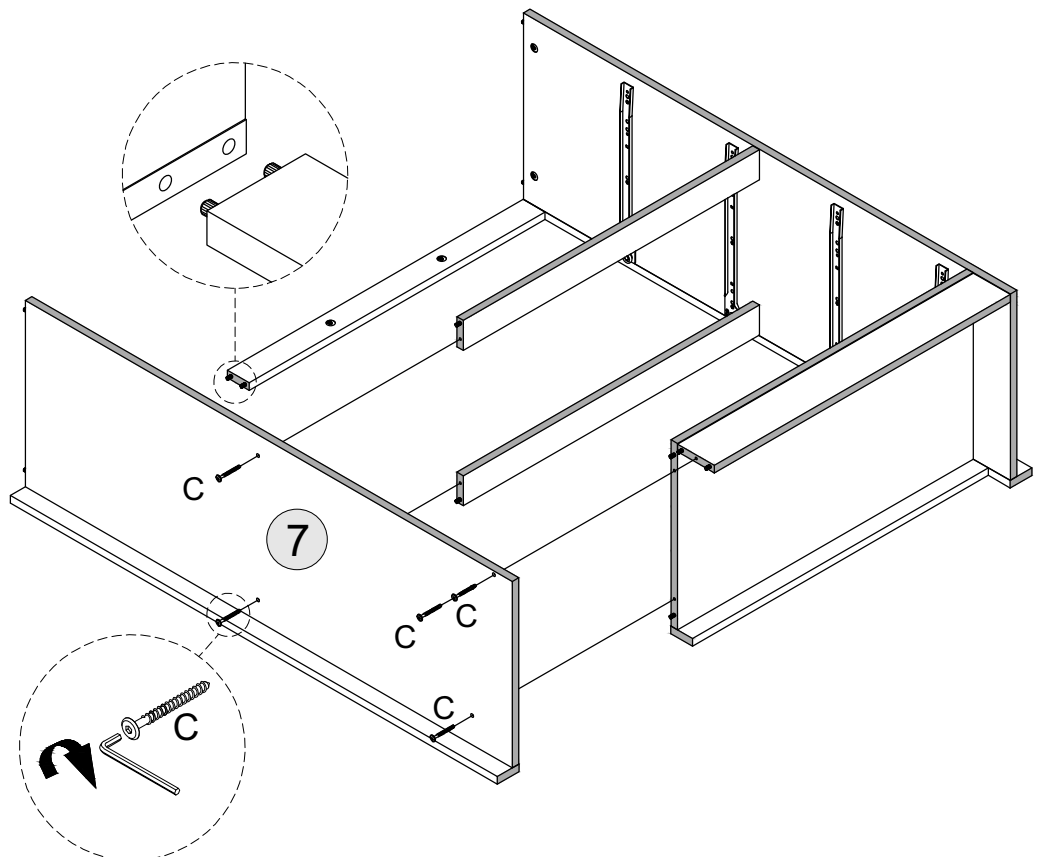
7 - SIDE PANEL - RIGHT x1



HARDWARE REQUIRED

C  05

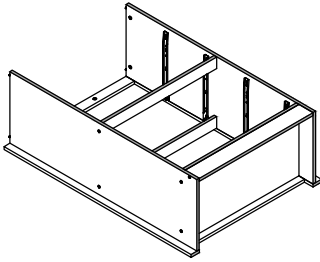
TOOLS REQUIRED



STEP 9

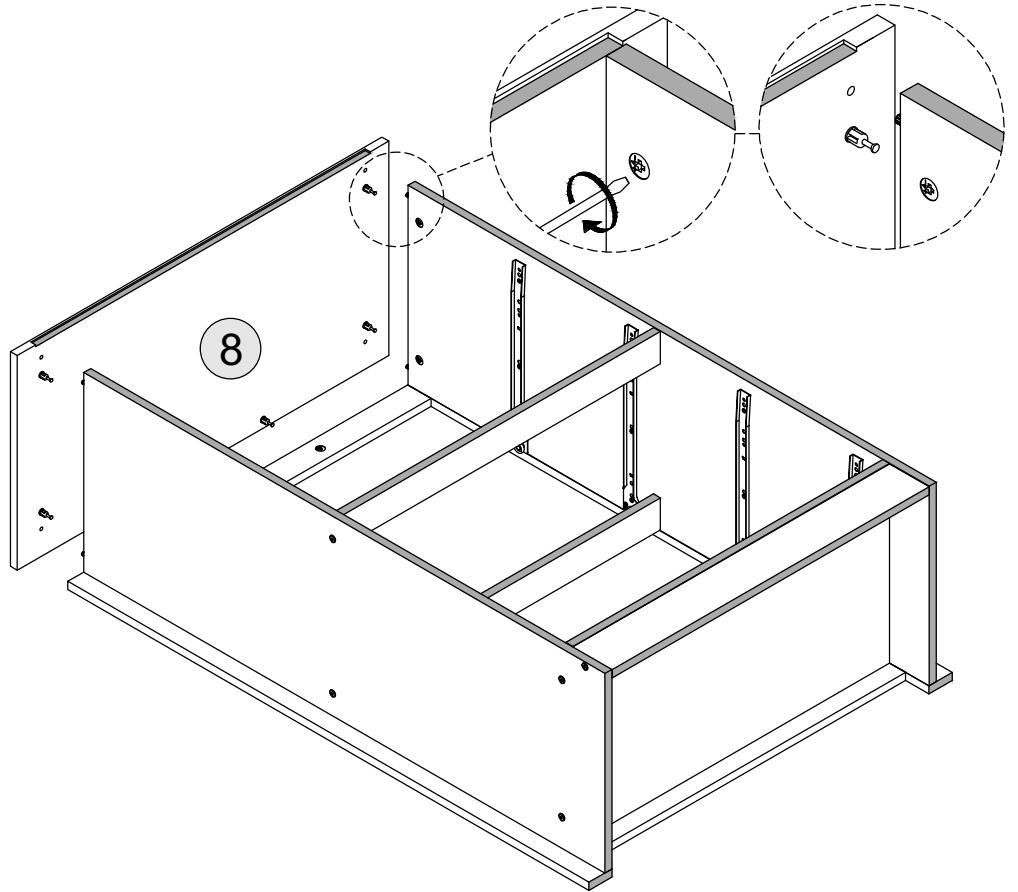
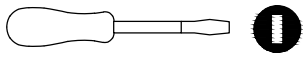
PARTS REQUIRED

8 - TOP PANEL x1



HARDWARE REQUIRED

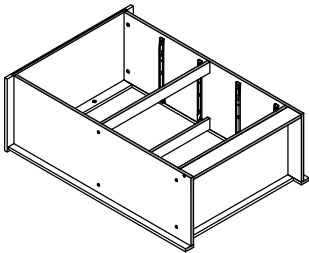
TOOLS REQUIRED



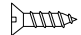
STEP 10


PARTS REQUIRED


9 - BACK PANEL x2



HARDWARE REQUIRED

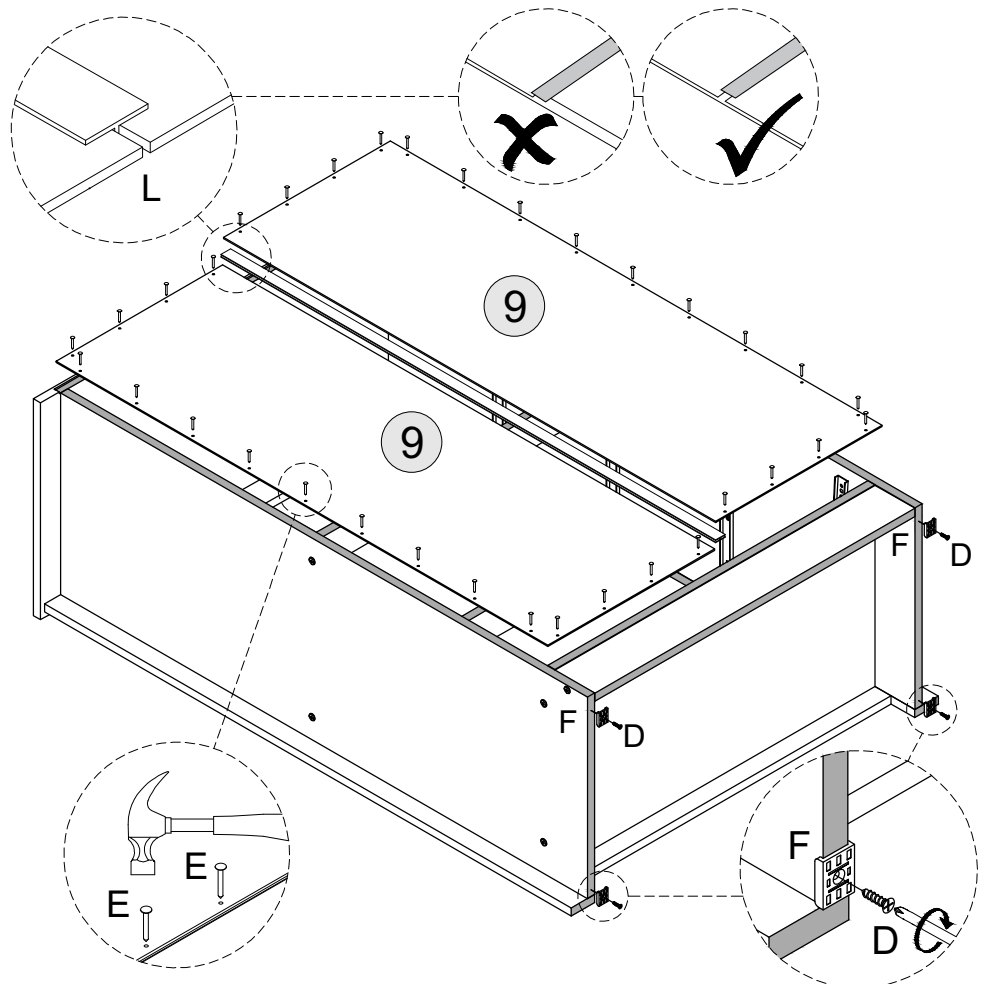
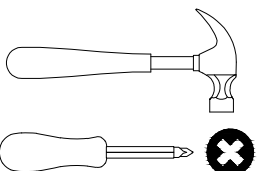
D  04

E  34

F  04

L  01

TOOLS REQUIRED




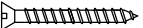


STEP 11

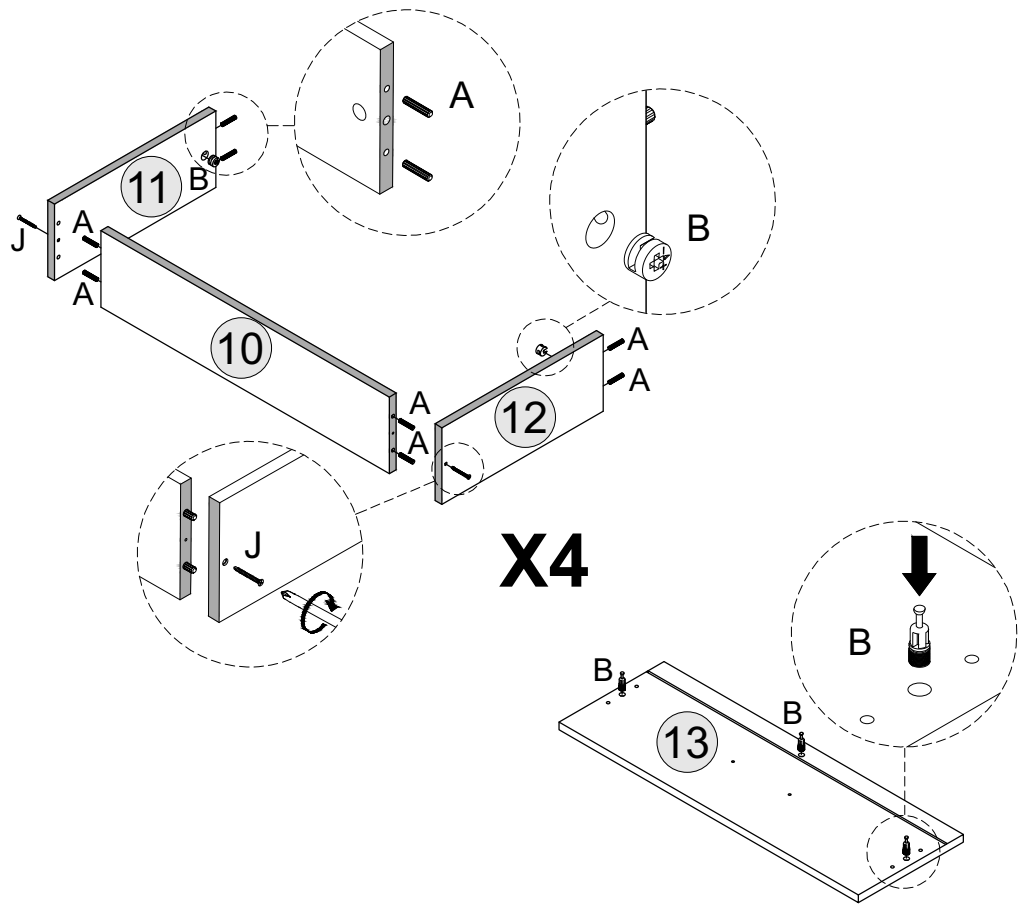
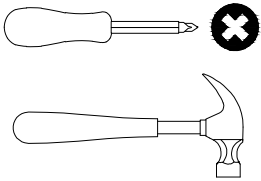
PARTS REQUIRED

10 - DRAWER BACK	x4
11 - DRAWER SIDE-LEFT	x4
12 - DRAWER SIDE-RIGHT	x4
13 - DRAWER FRONT	x4

HARDWARE REQUIRED

A		32
B		12
B		08
J		08

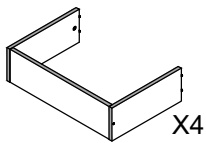
TOOLS REQUIRED



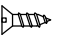


STEP 12

PARTS REQUIRED

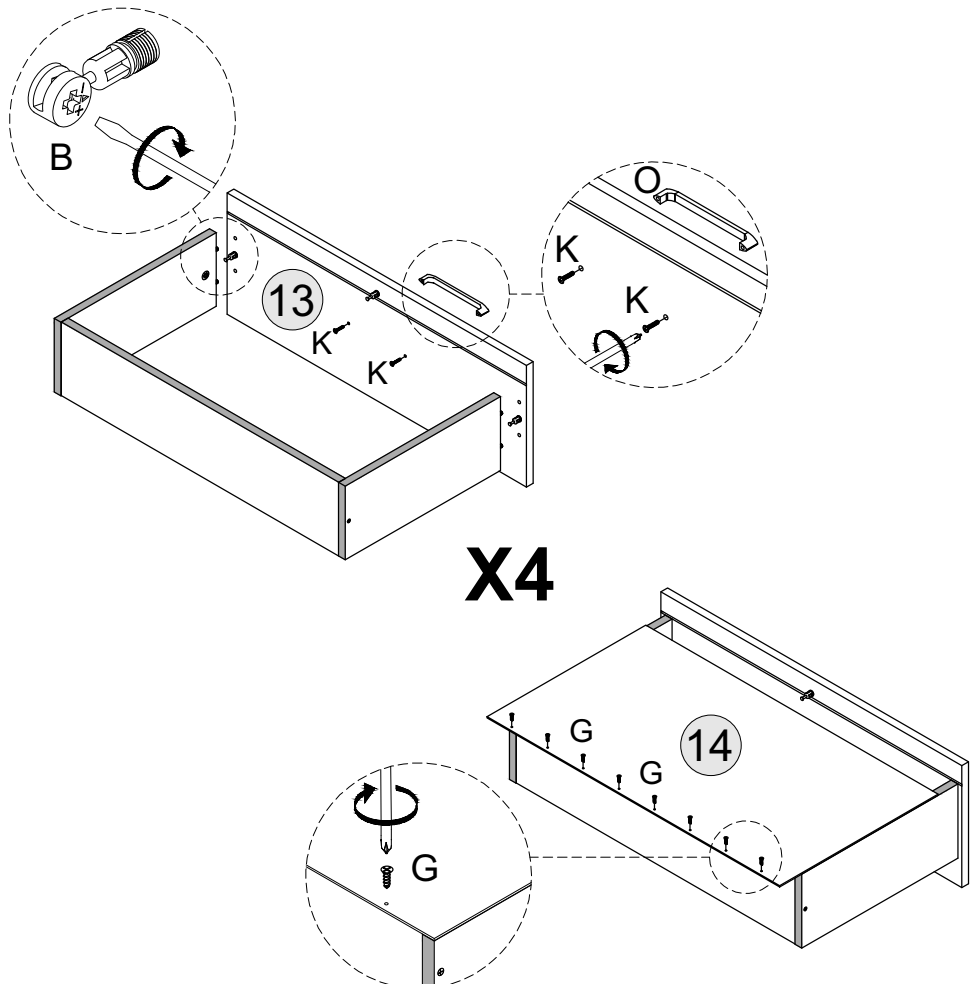
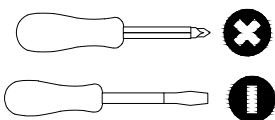
13 - DRAWER FRONT	x4
14 - DRAWER BASE	x4



HARDWARE REQUIRED

G		32
O		04
K		08

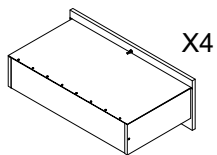
TOOLS REQUIRED



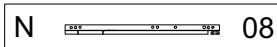
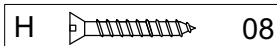
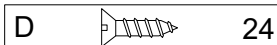
STEP 13

PARTS REQUIRED

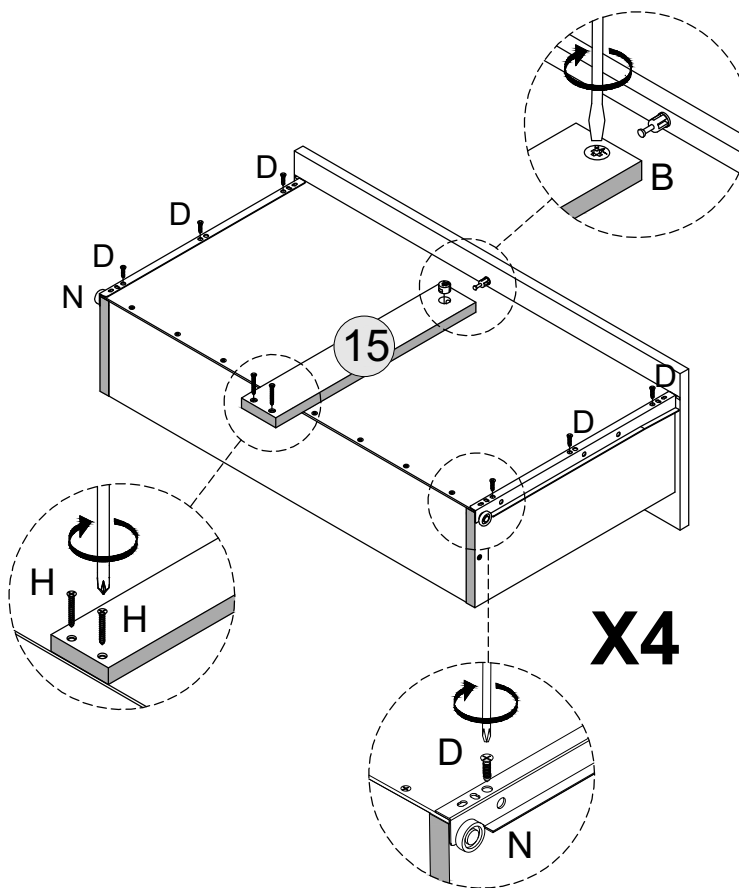
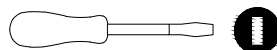
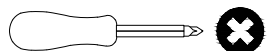
15 -DRAWER BASE SUPPORT RAIL x4



HARDWARE REQUIRED

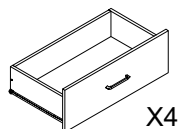
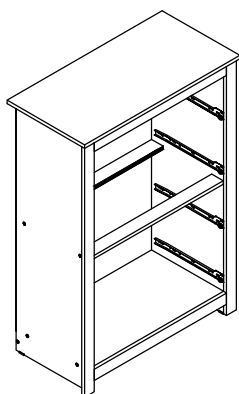


TOOLS REQUIRED



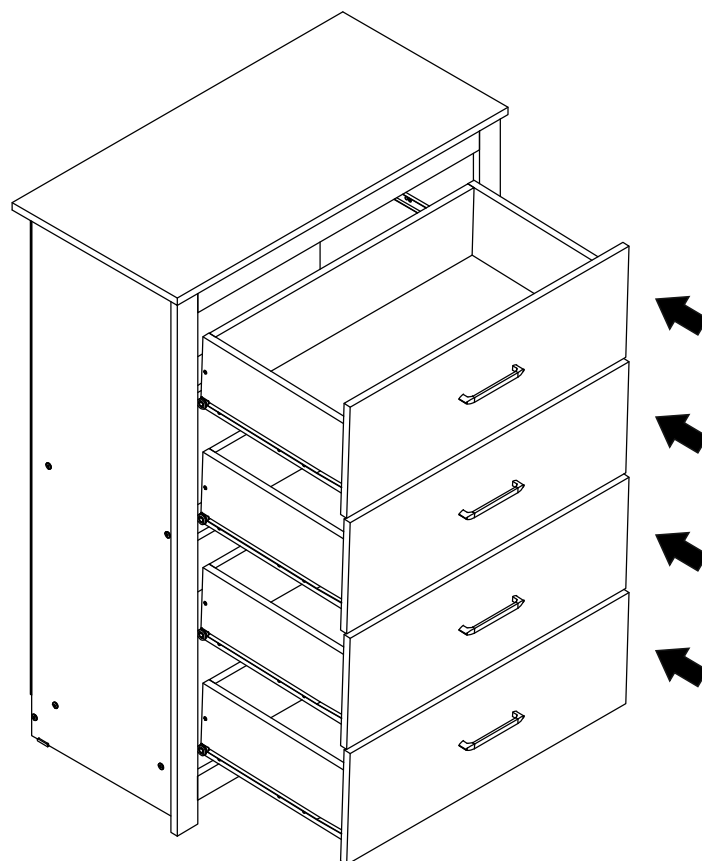
STEP 14

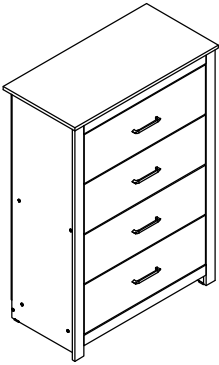
PARTS REQUIRED



HARDWARE REQUIRED

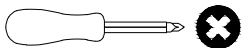
TOOLS REQUIRED



STEP 15PART REQUIREDHARDWARE REQUIRED

P		02
---	---	----

Q		02
---	---	----

TOOLS REQUIRED**WARNING**

Serious or fatal injuries can occur from furniture tipping over. To prevent the furniture from tipping over we recommend that it is permanently fixed to the wall.

Wall fixings are not supplied with this product as different wall materials require different types of fixing devices. Please make sure you use fixings suitable for the walls in your home.

