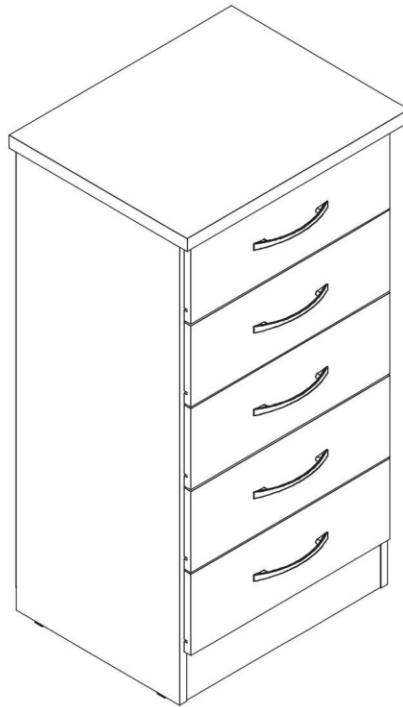


# NEVADA 5 DRAWER NARROW CHEST ASSEMBLY INSTRUCTIONS



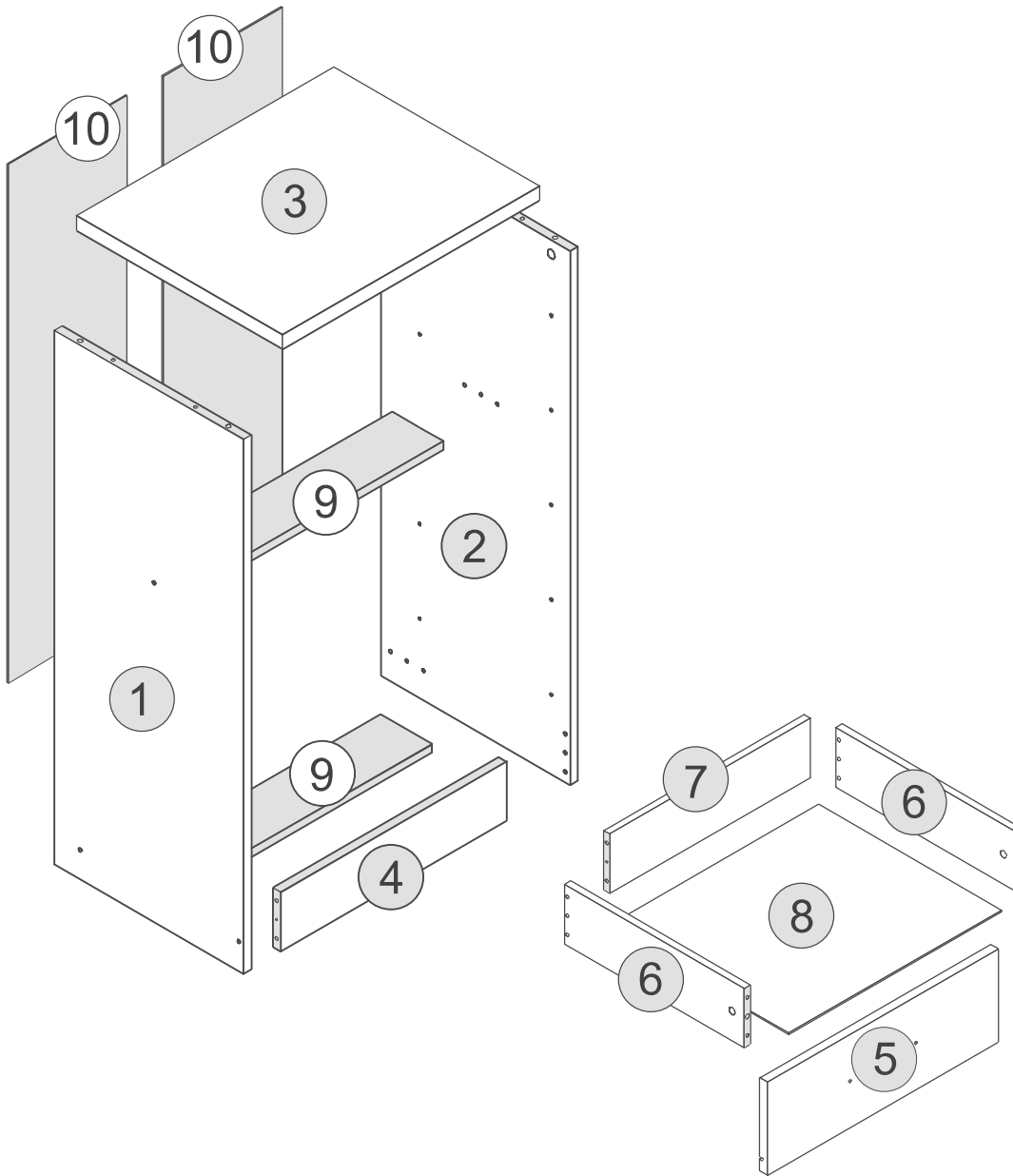
## IMPORTANT FOR DOMESTIC USE ONLY

PLEASE READ BEFORE YOU CONTINUE FURTHER

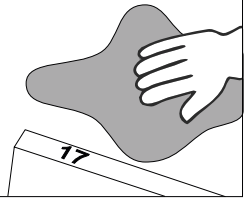
## CARE AND MAINTENANCE

After unpacking this product please keep the original packaging in case it needs to be returned for any reason.

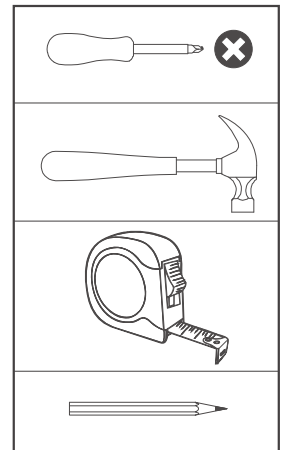
- Please ensure all fittings and parts are present before commencing with assembly.
- Never drag or push products as this could cause damage to the joints making it inferior.
- We strongly recommend that you keep children away from your work area.
- We recommend that you lay a blanket or sheet on the floor to avoid damage to both your floor and the product.
- Assemble this product as close to its final position as possible.
- Do not place this product next to a radiator or in direct sunlight.
- Do not drag or push items across your high gloss furniture as this may cause the surface to scratch
- Wood is a natural product and may expand if subjected to damp and may shrink or crack if subjected to heat. Therefore it is recommended that room temperature is maintained, with no sudden temperature fluctuations.
- Make sure any spillage is wiped off immediately.
- Do not place hot or chilled items directly on to the surface, use a place mat or marking will occur.
- For general cleaning use a soft cotton or micro fibre cloth, and do not use detergents of any kind.
- From time to time it may be necessary to tighten fittings, regular inspections should be carried out.
- Do not place on a wet or damp floor as staining may occur to your floor.



After assembly use an alcohol based product/cleaner to erase the numbers printed on the parts that are visual.



**TOOLS REQUIRED**



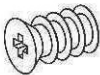
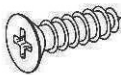
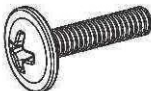
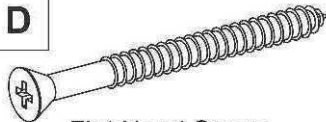
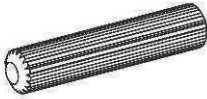

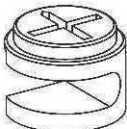
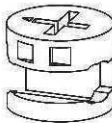


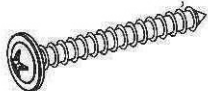
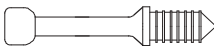


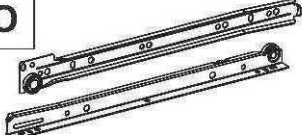
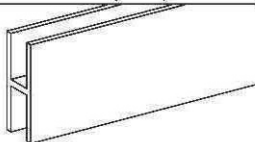



**PARTS LIST**

***Please Note:***

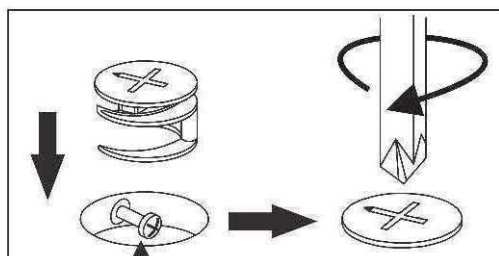
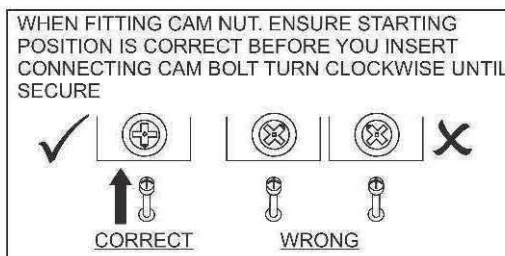
The below parts have all been stamped with the part number to help identify them during assembly.

<b>Part Number</b>	<b>Part Description</b>	<b>Quantity</b>	<b>Carton</b>
01	Left Side Panel	1	1/1
02	Right Side Panel	1	1/1
03	Top Panel	1	1/1
04	Front Baseboard	1	1/1
05	Drawer Front	5	1/1
06	Drawer Side	10	1/1
07	Drawer Back Panel	5	1/1
08	Drawer Bottom	5	1/1
09	Back Baseboard	2	1/1
10	Back Panel	2	1/1

### FITTINGS LIST

<p><b>A</b></p>  <p>Flat Head Screw 2/+ Ø6,0 x 10mm (20x)</p>	<p><b>B</b></p>  <p>Flat Head Screw 2/+ Ø4,0 x 14mm (30x)</p>	<p><b>C</b></p>  <p>Flan Head Screw 2/+ Ø4,0 x 20mm (10x)</p>	<p><b>D</b></p>  <p>Flat Head Screw 2/+ Ø4,0 x 50mm (16x)</p>
<p><b>E</b></p>  <p>2/+ Dowel Ø6,0 x 30mm (56x)</p>	<p><b>F</b></p>  <p>2/+ Nail 10x10 Ringed-1,5x23mm (74x)</p>	<p><b>G</b></p>  <p>2/+ Cam Nut Ø12x8 8MM (10x)</p>	<p><b>H</b></p>  <p>1/+ Cam Nut Ø14,9x11mm (4x)</p>
<p><b>I</b></p>  <p>1/+ Washer Ø16x7mm (2x)</p>	<p><b>J</b></p>  <p>1/+ Plastic Foot L 19x17x8mm Ø2 (4x)</p>	<p><b>K</b></p>  <p>1/+ Flan Head Screw Ø3,5 x 30mm (1x)</p>	<p><b>L</b></p>  <p>2/+ Cam Bolt (14x)</p>
<p><b>M</b></p>  <p>2/+ Hole Plugs 19mm (6x)</p>	<p><b>N</b></p>  <p>Glue 10Gr (2x)</p>	<p><b>O</b></p>  <p>Drawer Runners 350mm (5x)</p>	<p><b>P</b></p>  <p>Back Panel Strip H 843mm (1x)</p>
<p><b>Q</b></p>  <p>Strap 200x20x1mm (1x)</p>	<p><b>R</b></p>  <p>Handle (5x)</p>	<p><b>S</b></p>  <p>+1/2 Hole Plugs Líneo 19mm(10x)</p>	

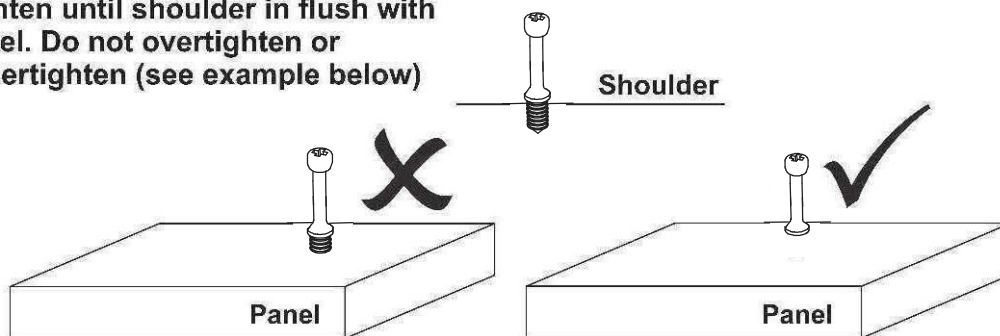
### TIPS FOR FITTINGS CAM-LOCKS



Cam bolt head needs to be in centre

#### CAMBOLT

Tighten until shoulder in flush with panel. Do not overtighten or undertighten (see example below)

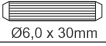


# STEP 1

## PARTS REQUIRED

1 - LEFT SIDE PANEL x1

## HARDWARE REQUIRED

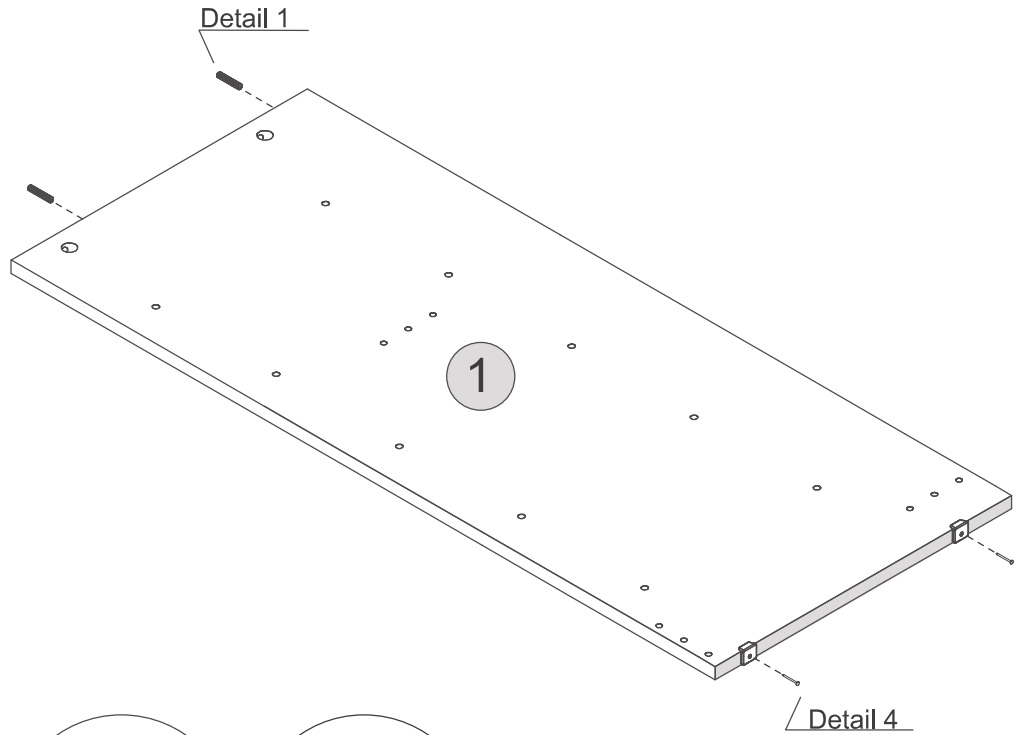
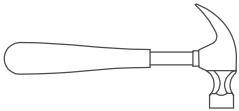
E  02  
Ø6,0 x 30mm

F  02  
10 x 10

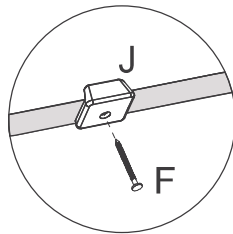
J  02

N  01  
GLUE

## TOOLS REQUIRED



Detail 1



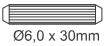
Detail 4

# STEP 2

## PARTS REQUIRED

2 - RIGHT SIDE PANEL x1

## HARDWARE REQUIRED

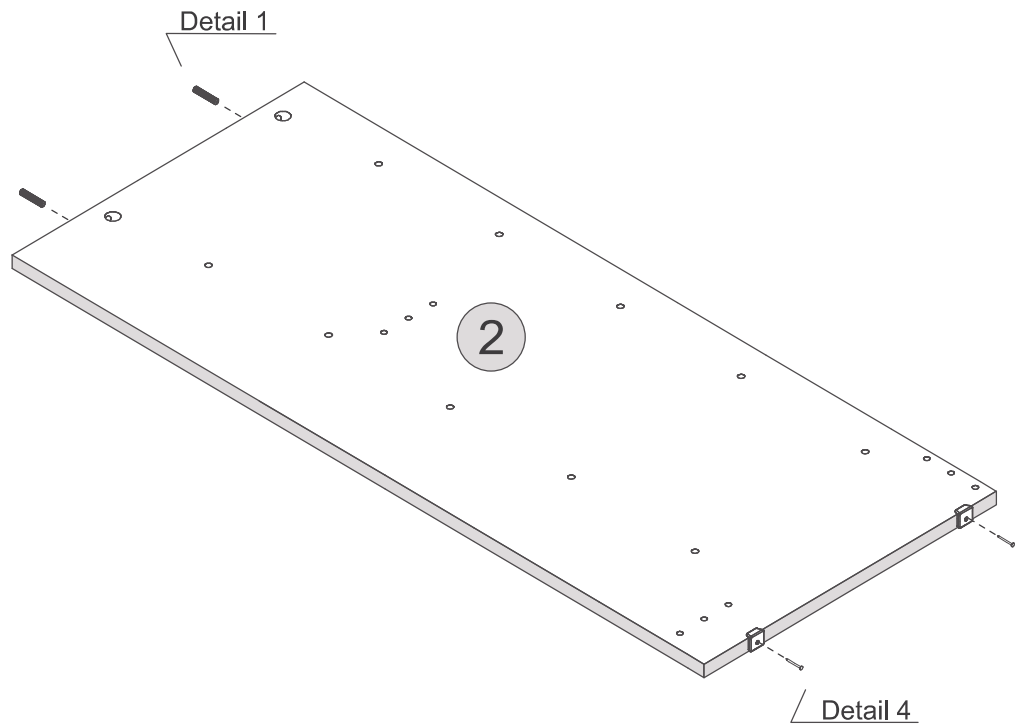
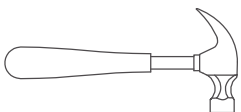
E  02  
Ø6,0 x 30mm

F  02  
10 x 10

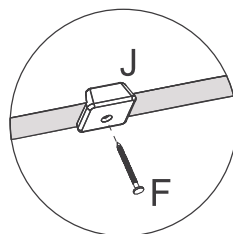
J  02

N  01  
GLUE

## TOOLS REQUIRED



Detail 1



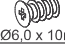
Detail 4

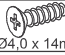
# STEP 3

## PARTS REQUIRED

2 - RIGHT SIDE PANEL x1

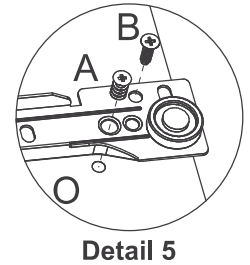
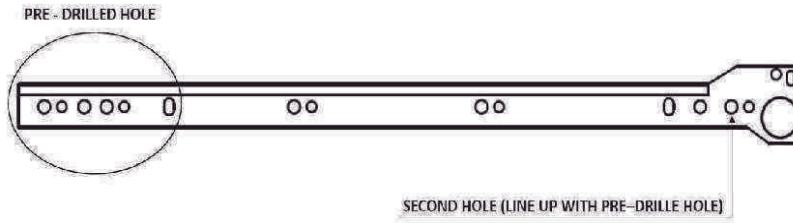
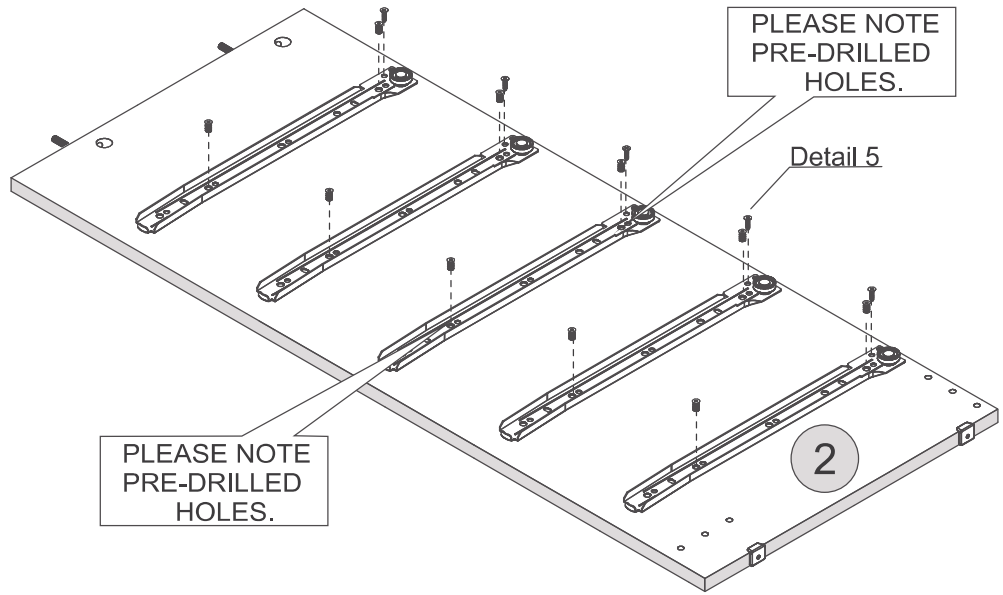
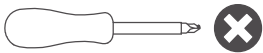
## HARDWARE REQUIRED

A  10  
Ø6,0 x 10mm

B  05  
Ø4,0 x 14mm

O  05  
RIGHT

## TOOLS REQUIRED



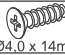
# STEP 4

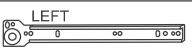
## PARTS REQUIRED

1 - LEFT SIDE PANEL x1

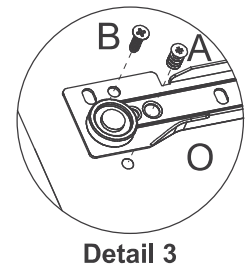
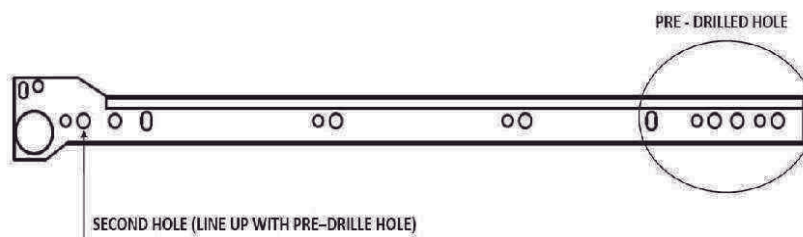
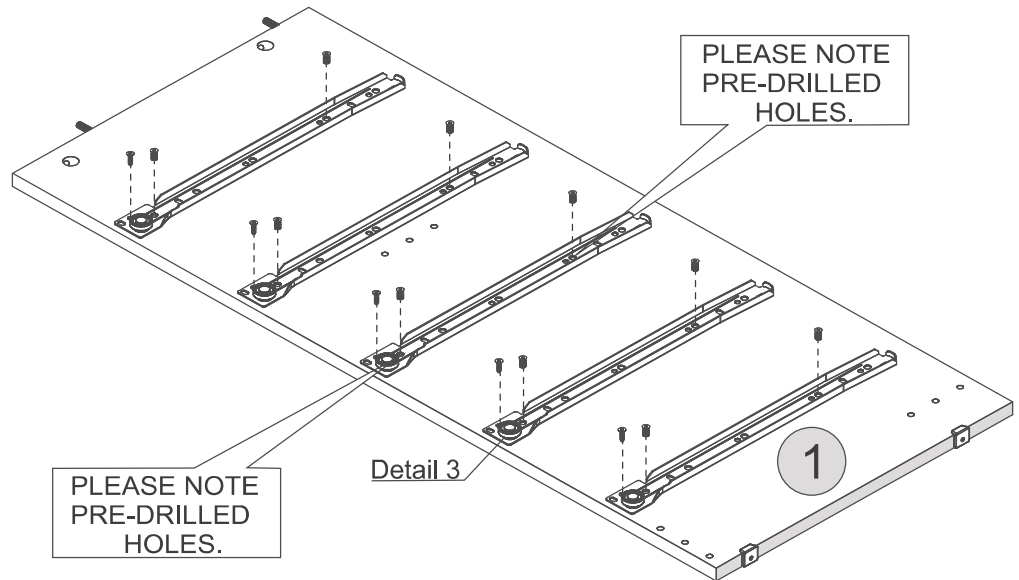
## HARDWARE REQUIRED

A  10  
Ø6,0 x 10mm

B  05  
Ø4,0 x 14mm

O  05  
LEFT

## TOOLS REQUIRED





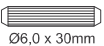
# STEP 5

## PARTS REQUIRED

4 - FRONT BASEBOARD x1

9 - BACK BASEBOARD x2

## HARDWARE REQUIRED

E  12  
Ø6,0 x 30mm

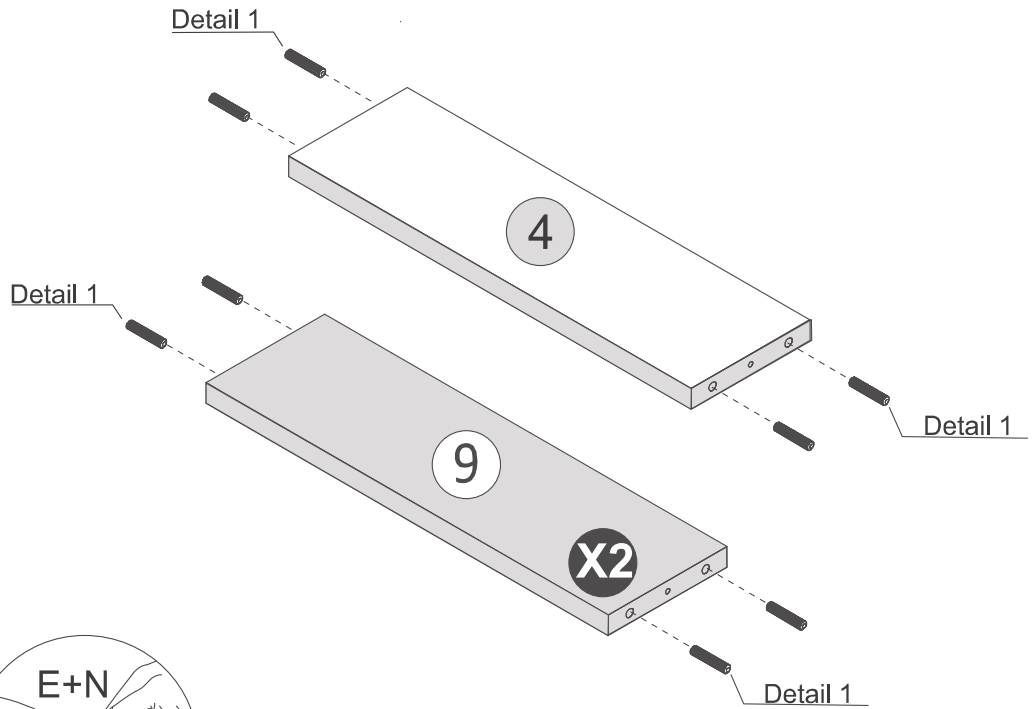
N  01  
GLUE

## TOOLS REQUIRED



E+N

Detail 1



# STEP 6

## PARTS REQUIRED

2 - RIGHT SIDE PANEL x1

4 - FRONT BASEBOARD x1

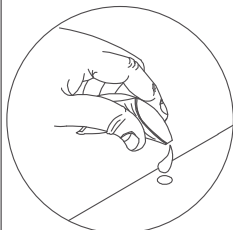
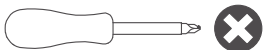
9 - BACK BASEBOARD x2

## HARDWARE REQUIRED

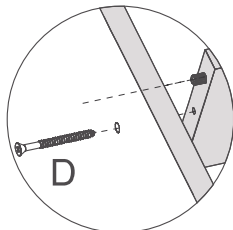
D  03  
Ø4,0 x 50mm

K  01  
GLUE

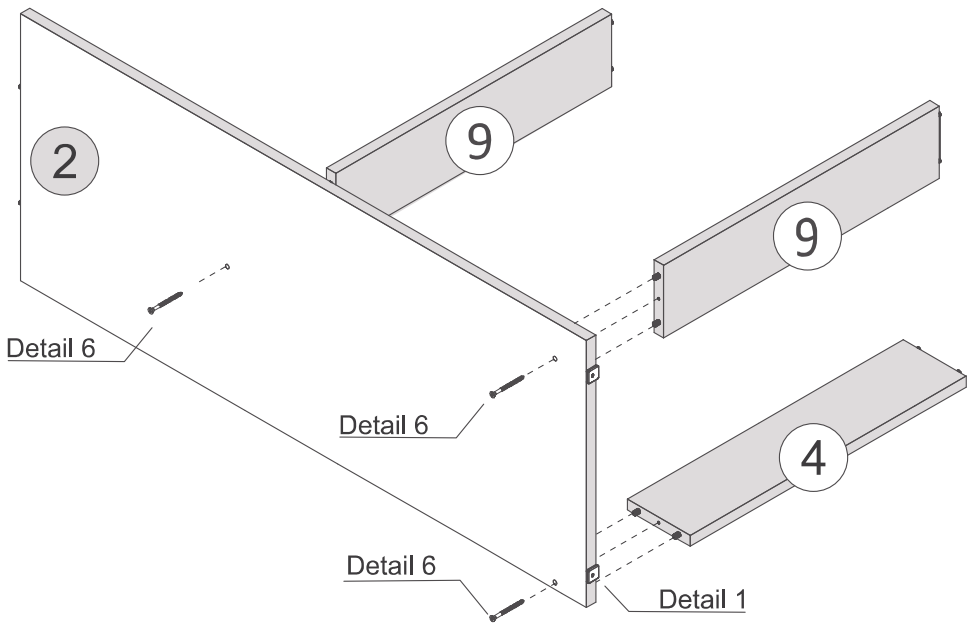
## TOOLS REQUIRED



Detail 1



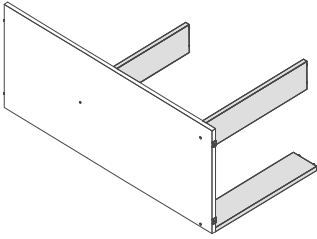
Detail 6



# STEP 7

## PARTS REQUIRED

1 - LEFT SIDE PANEL x1

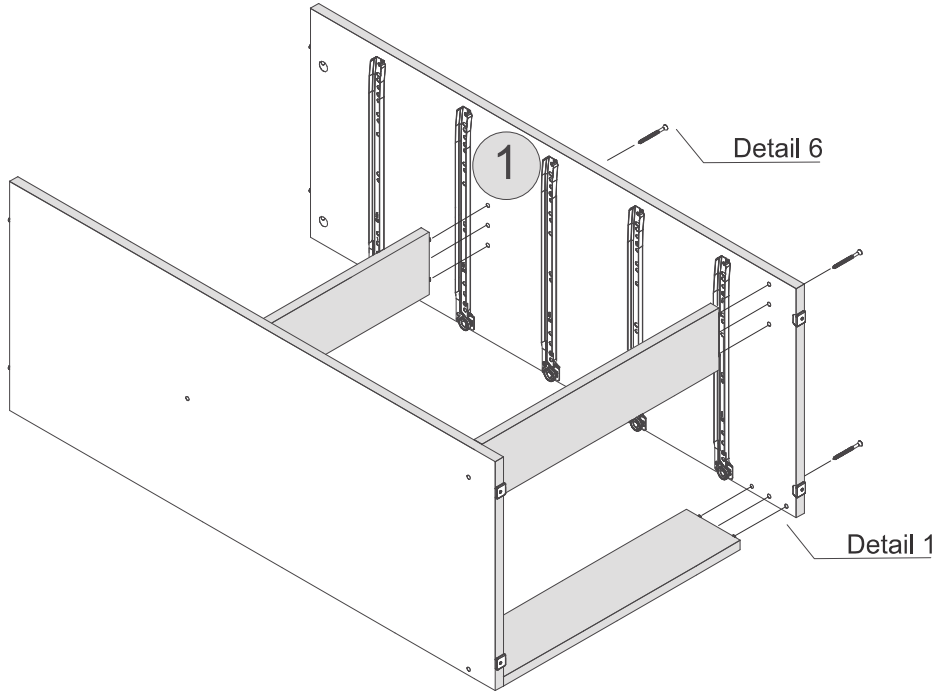
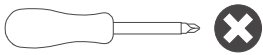


## HARDWARE REQUIRED

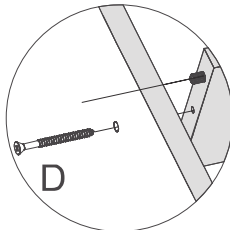
D  03  
Ø4.0 x 50mm

K  01  
GLUE

## TOOLS REQUIRED



Detail 1



Detail 6

# STEP 8

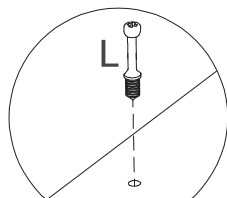
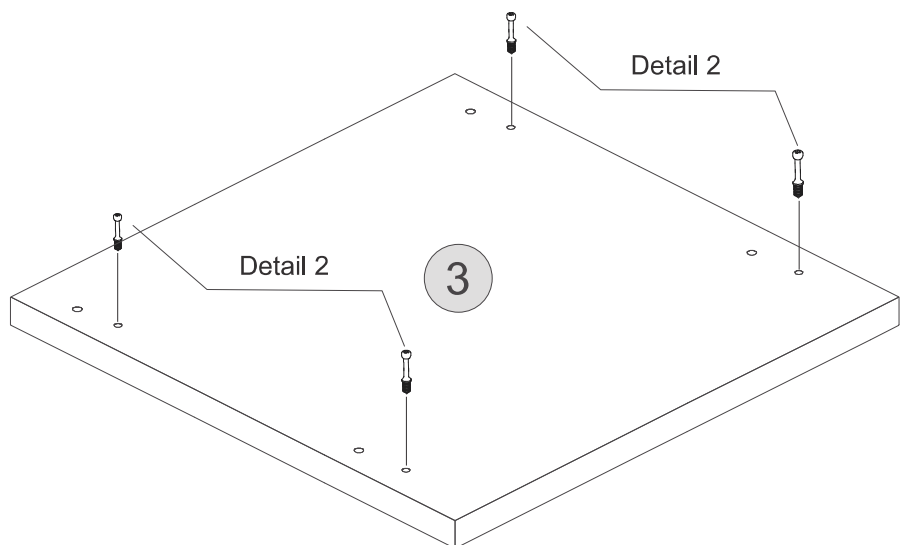
## PARTS REQUIRED

3 - TOP PANEL x1

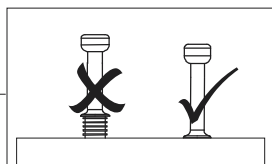
## HARDWARE REQUIRED

L  04

## TOOLS REQUIRED



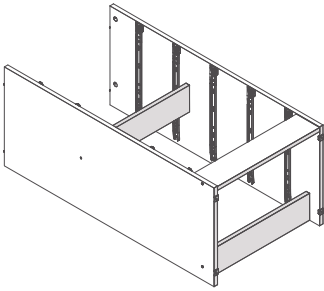
Detail 2



# STEP 9

## PARTS REQUIRED

3 - TOP PANEL x1

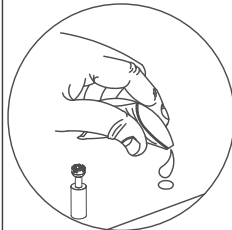
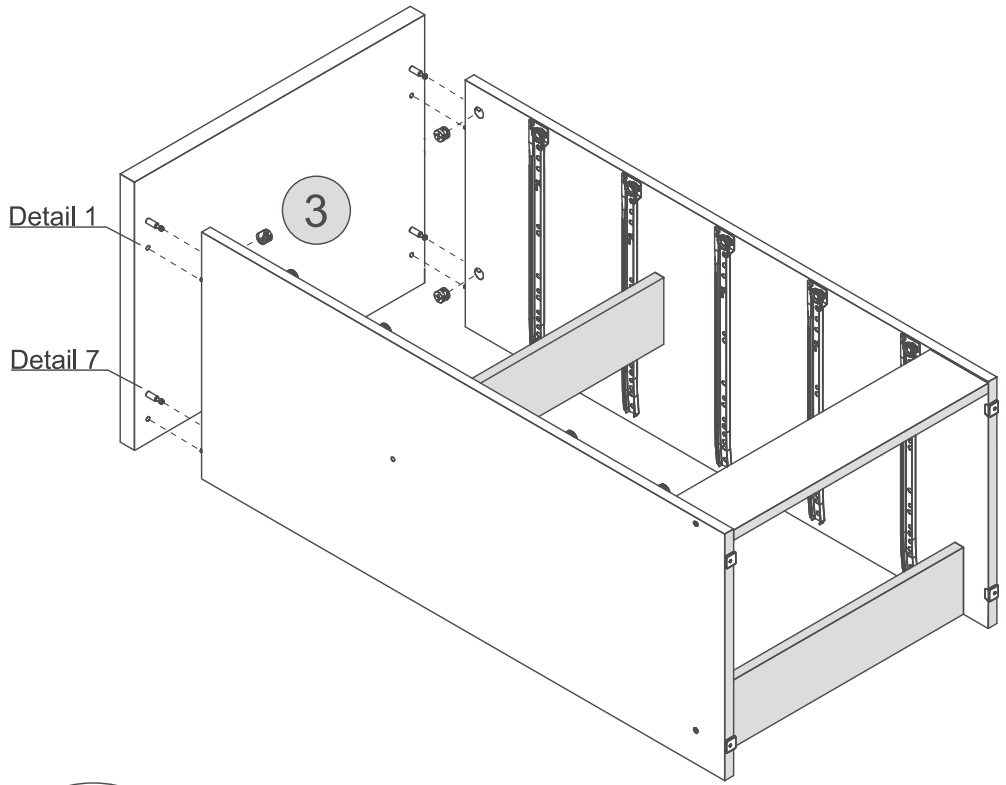


## HARDWARE REQUIRED

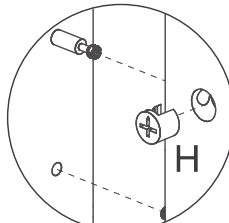
H  04

N  01

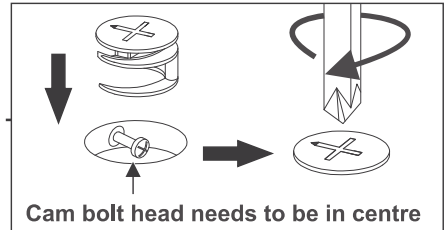
## TOOLS REQUIRED



Detail 1



Detail 7

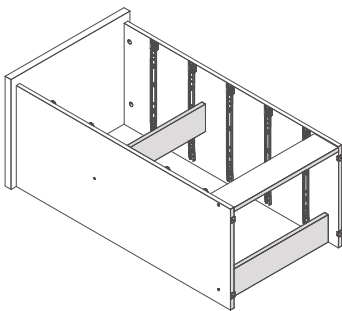


Cam bolt head needs to be in centre


# STEP 10

## PARTS REQUIRED

10 - BACK PANEL x2

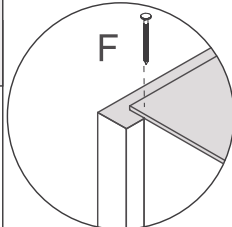
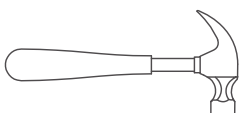


## HARDWARE REQUIRED

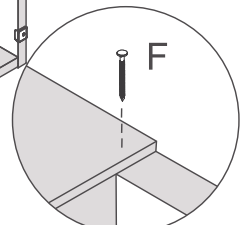
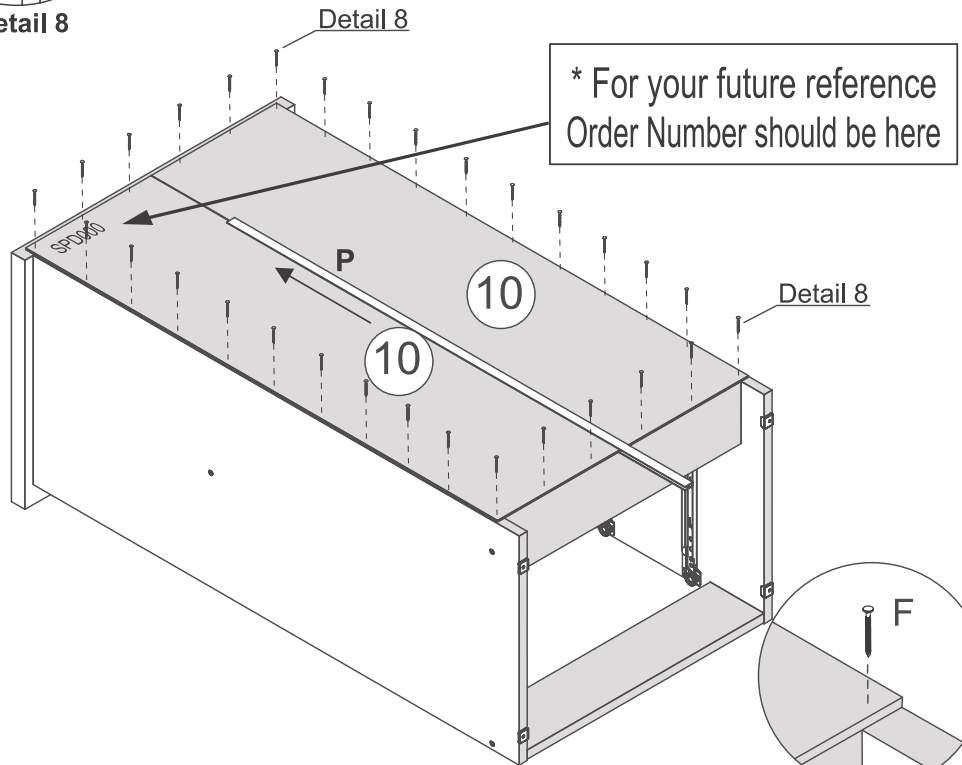
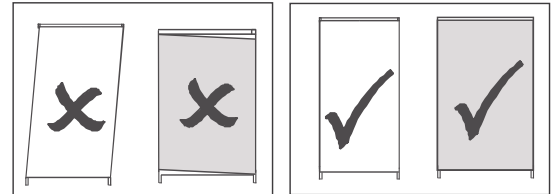
F  30

P  01

## TOOLS REQUIRED



Detail 8



Detail 8



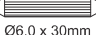
# STEP 11

**PARTS REQUIRED**

6 - DRAWER SIDE x10

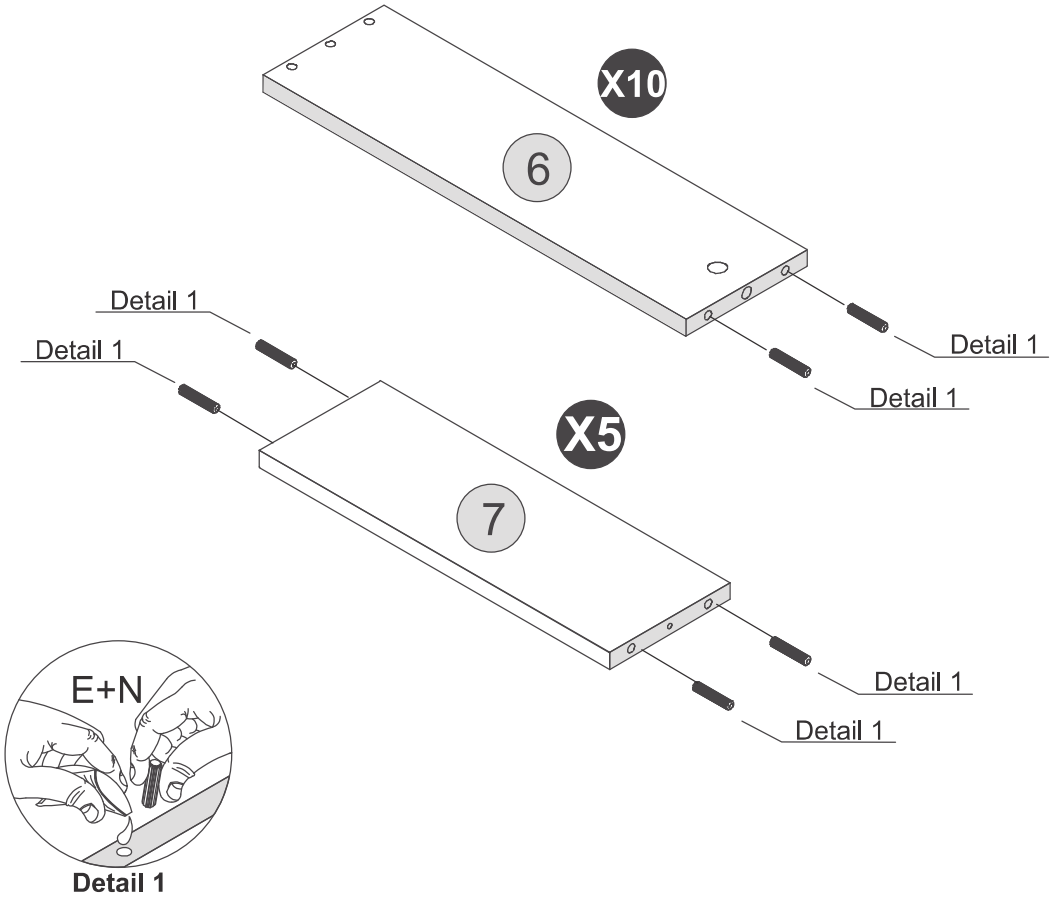
7 - DRAWER BACK PANEL x5

**HARDWARE REQUIRED**

E  40  
Ø6,0 x 30mm

N  01

**TOOLS REQUIRED**



# STEP 12

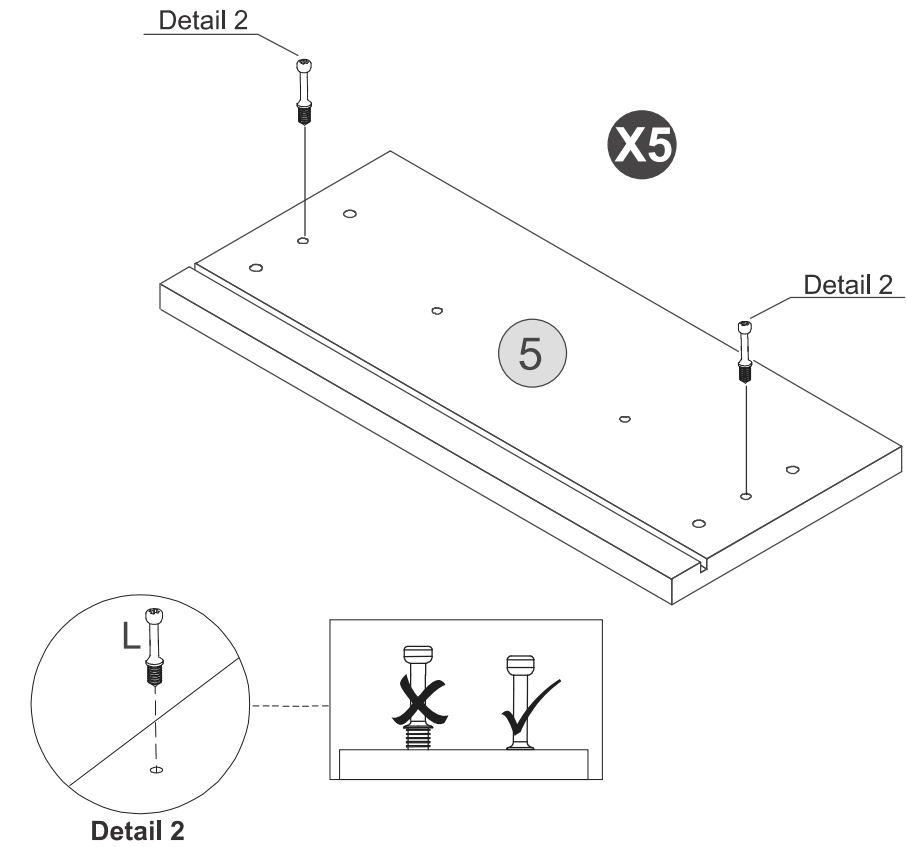
**PARTS REQUIRED**

5 - DRAWER FRONT x5

**HARDWARE REQUIRED**

L  10

**TOOLS REQUIRED**



# STEP 13

## PARTS REQUIRED

6 - DRAWER SIDE x10

7 - DRAWER BACK PANEL x5

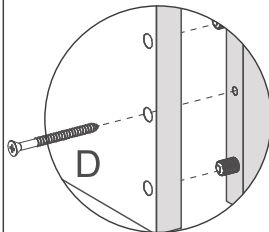
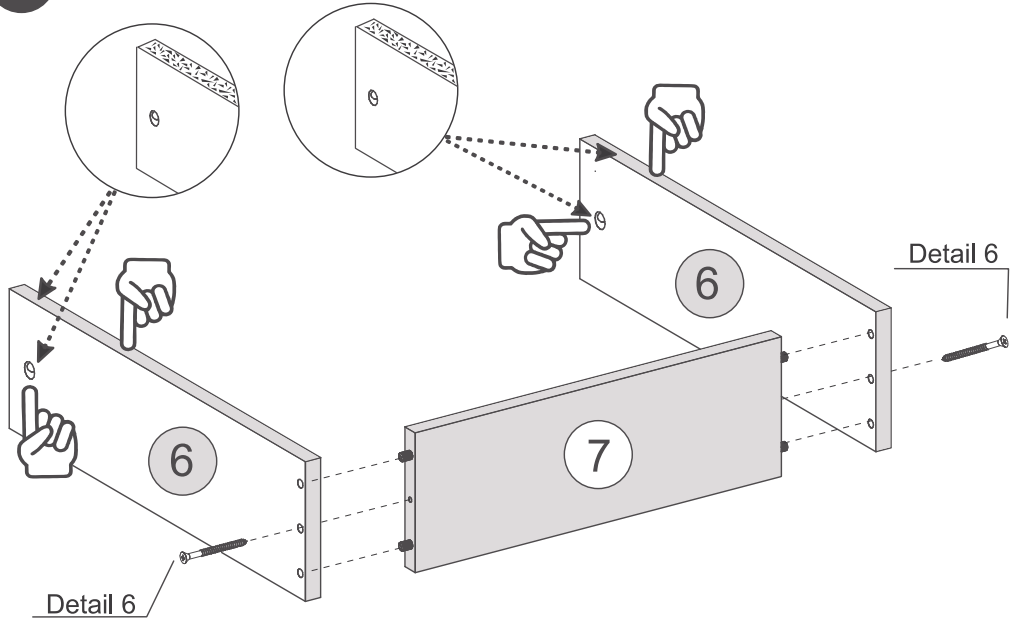
## HARDWARE REQUIRED

D  10  
Ø4,0 x 50mm

## TOOLS REQUIRED



X5

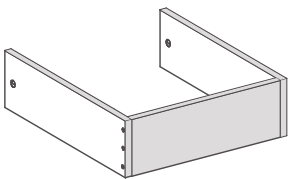


Detail 6

# STEP 14

## PARTS REQUIRED

5 - DRAWER FRONT x5



## HARDWARE REQUIRED

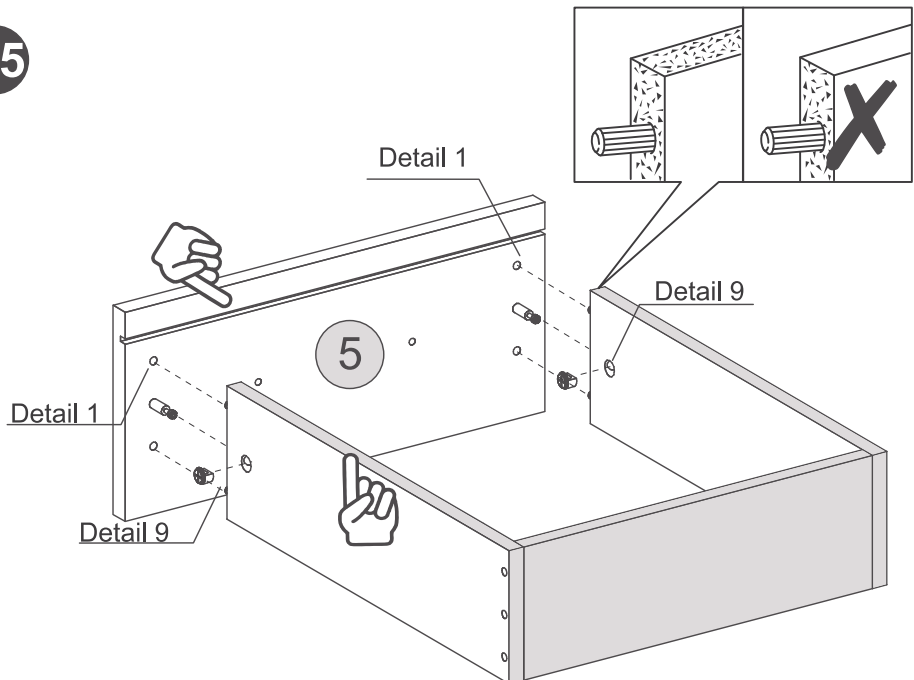
G  10

N  01  
GLUE

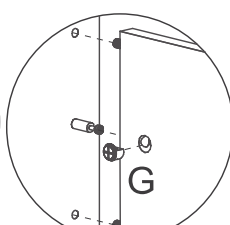
## TOOLS REQUIRED



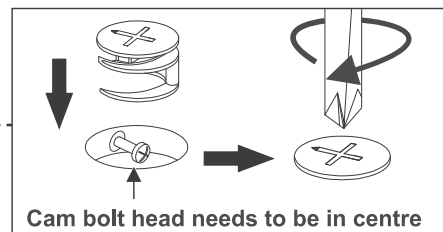
X5



Detail 1



Detail 9

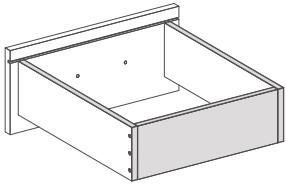


Cam bolt head needs to be in centre

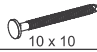
# STEP 15

## PARTS REQUIRED

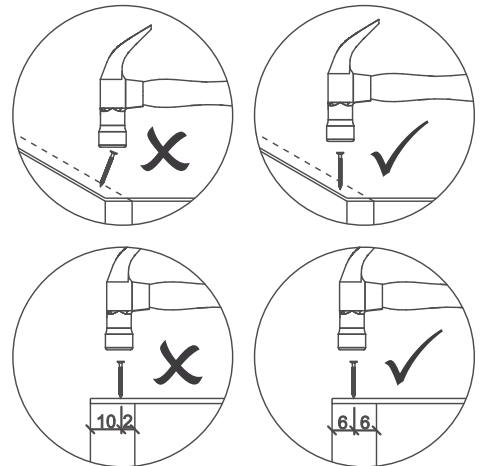
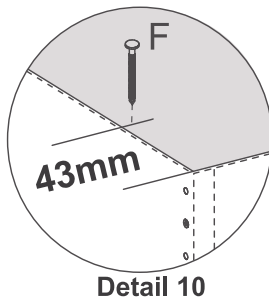
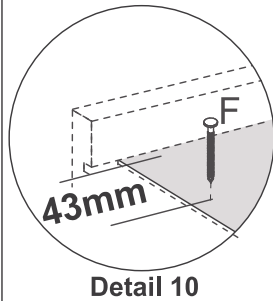
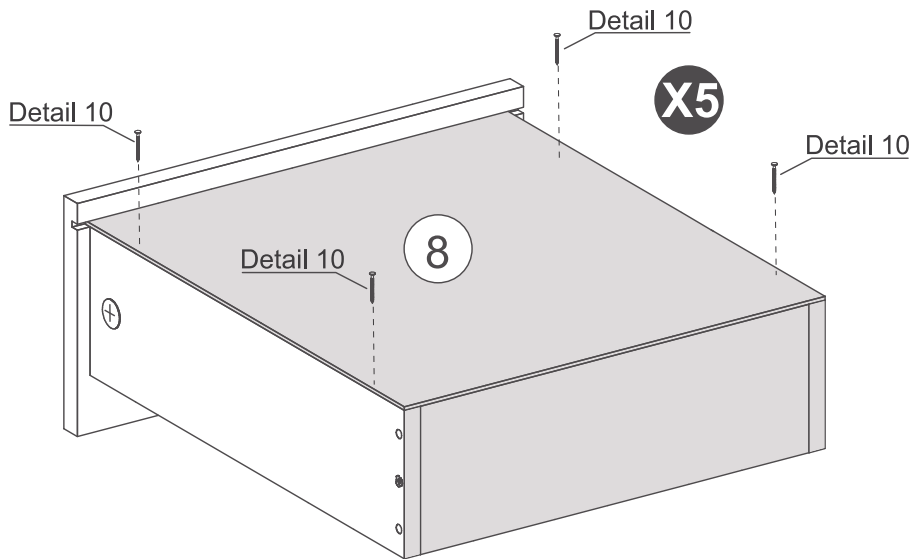
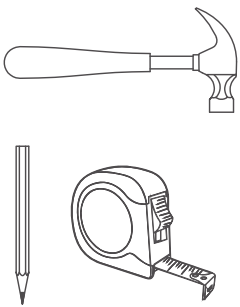
8 - DRAWER BOTTOM x5



## HARDWARE REQUIRED

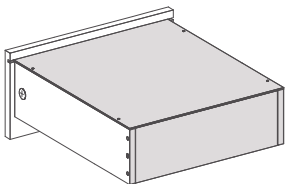
F  20  
10 x 10

## TOOLS REQUIRED



# STEP 16

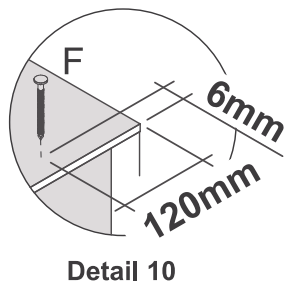
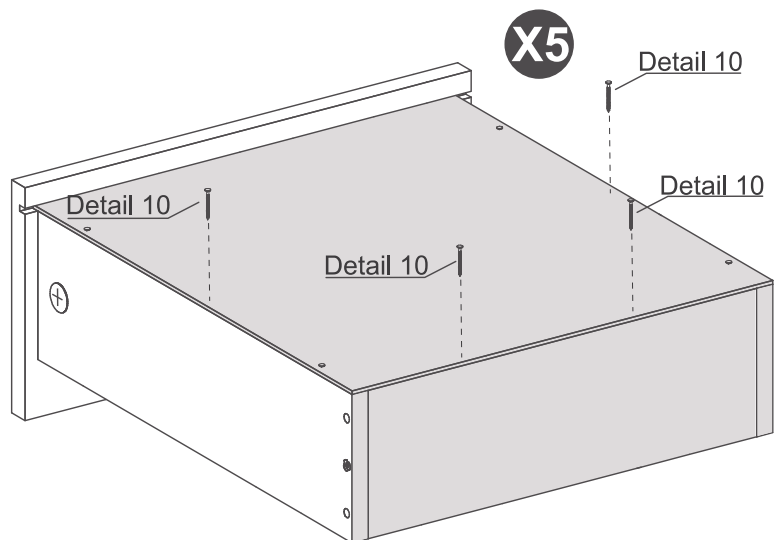
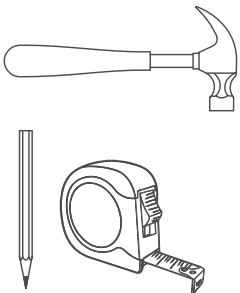
## PARTS REQUIRED



## HARDWARE REQUIRED

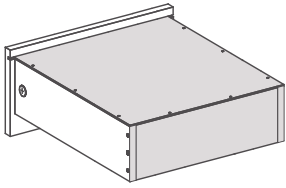
F  20  
10 x 10

## TOOLS REQUIRED

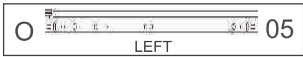
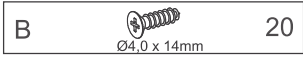


# STEP 17

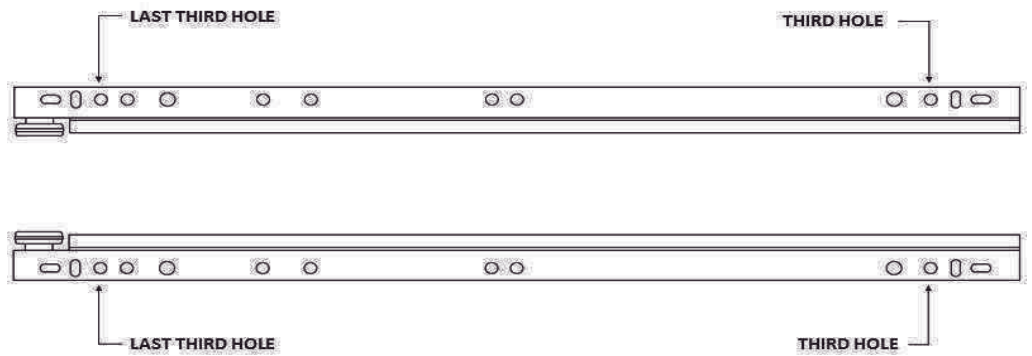
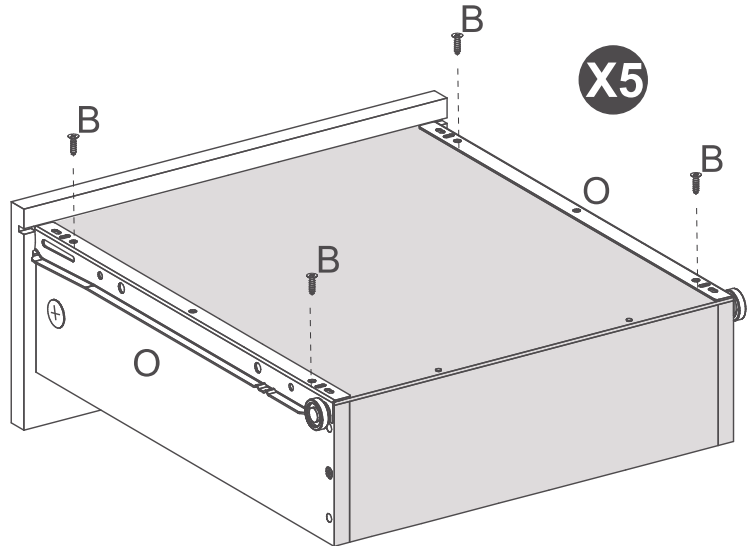
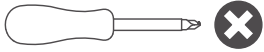
**PARTS REQUIRED**



**HARDWARE REQUIRED**

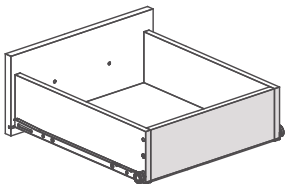


**TOOLS REQUIRED**

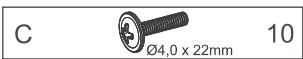


# STEP 18

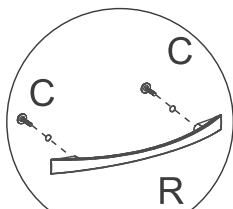
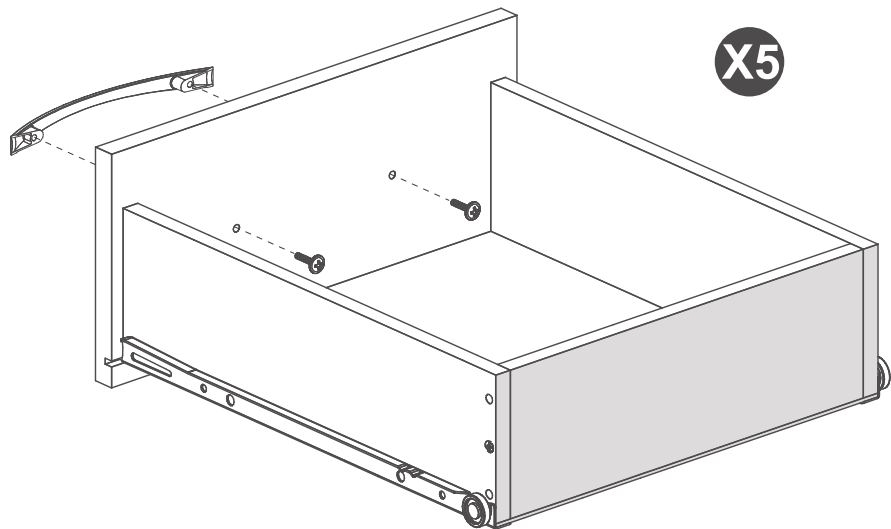
**PARTS REQUIRED**



**HARDWARE REQUIRED**



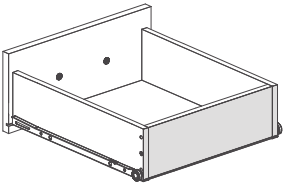
**TOOLS REQUIRED**



Detail 2

# STEP 19

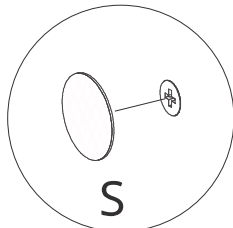
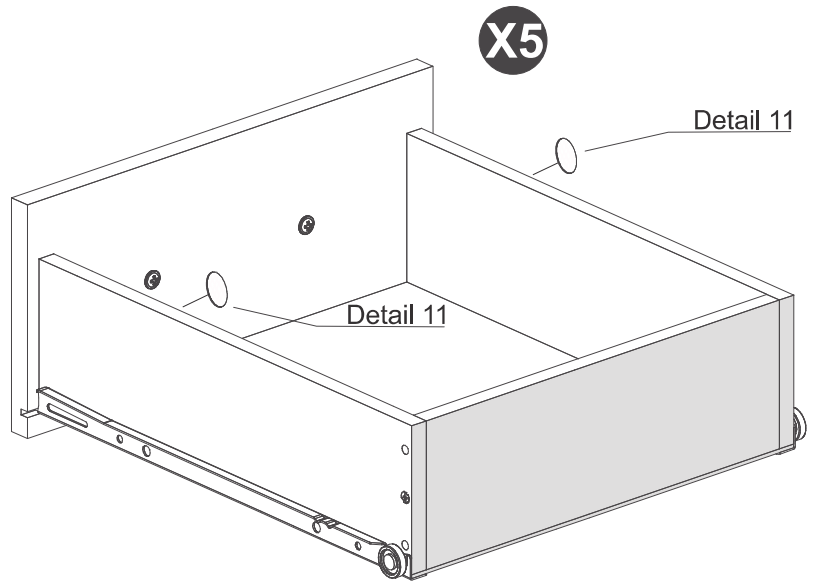
PARTS REQUIRED



HARDWARE REQUIRED



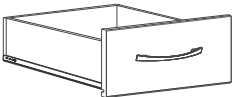
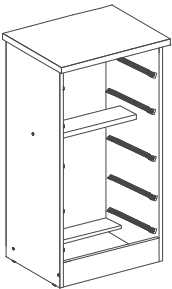
TOOLS REQUIRED



S  
Detail 11

# STEP 20

PARTS REQUIRED



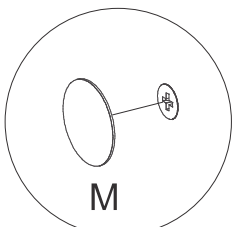
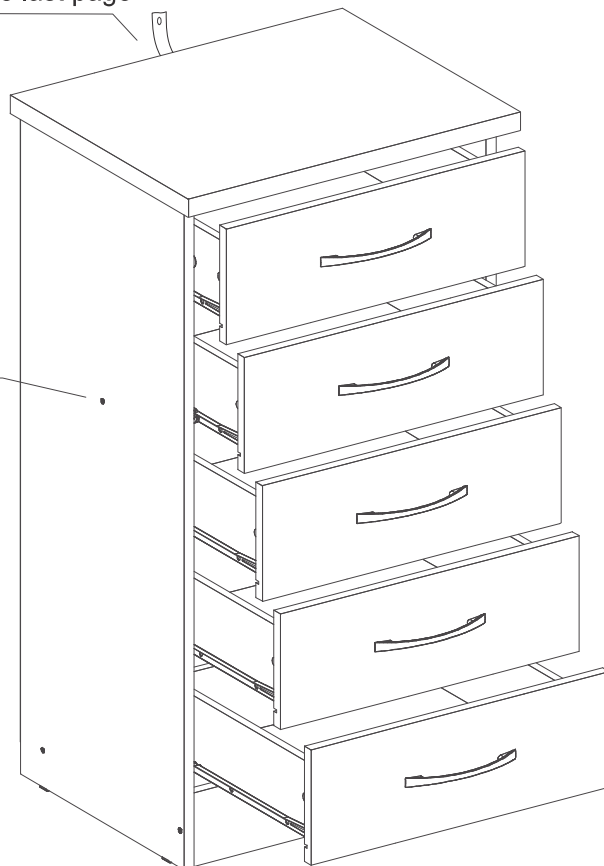
HARDWARE REQUIRED



TOOLS REQUIRED

! See the last page

Detail 11



M  
Detail 11

## WARNING

**Serious or fatal injuries can occur from furniture tipping over. To prevent the furniture from tipping over we recommend that it is permanently fixed to the wall.**

Wall fixings are not supplied with this product as different wall materials require different types of fixing devices.

Please make sure you use fixings suitable for the walls in your home.

