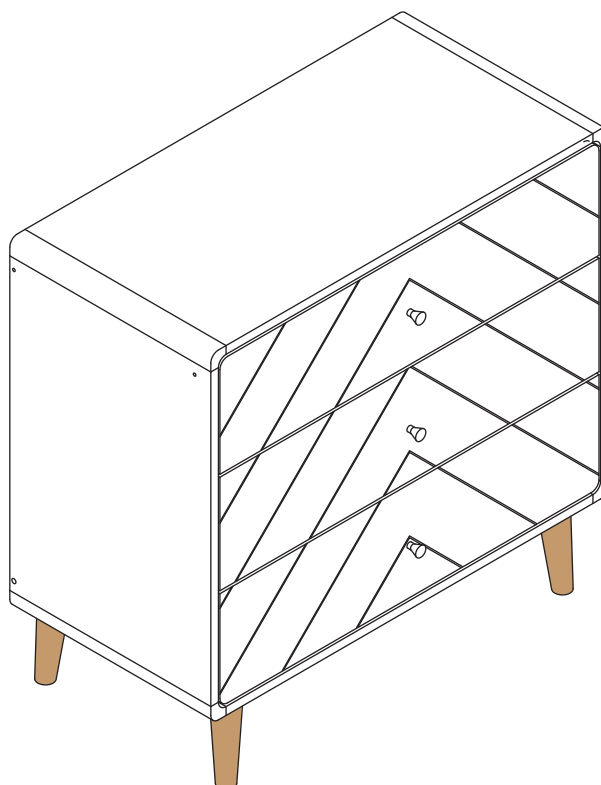


DIXIE 3 DRAWER CHEST ASSEMBLY INSTRUCTIONS



**FOR DOMESTIC USE ONLY
IMPORTANT**

PLEASE READ BEFORE YOU CONTINUE FURTHER

THE PRODUCT YOU HAVE PURCHASED WILL GIVE YOU MANY YEARS OF SERVICE IF YOU FOLLOW THE GUIDELINES FOR ITS SAFE ASSEMBLY AND PERIODIC MAINTENANCE AND CLEANING.

ASSEMBLE ON A SOFT CLEAN SURFACE.

DO NOT USE ANY TOOLS OTHER THAN THOSE SHOWN.

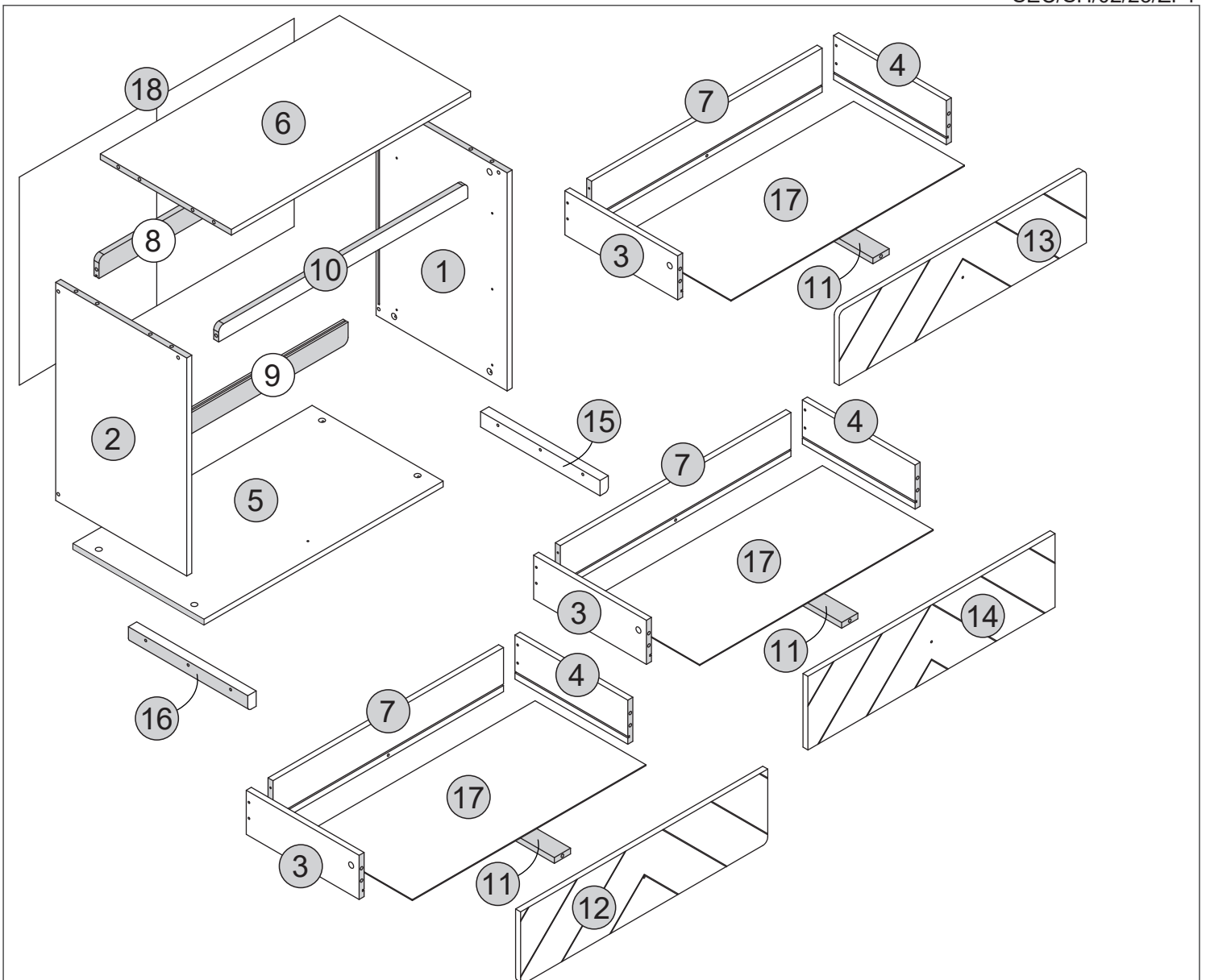
ANY SPANNERS OR ALLEN KEYS REQUIRED ARE INCLUDED WITH THE FITTING KIT.

DO NOT FOR ANY REASON USE A POWER TOOL TO ASSEMBLE THIS PRODUCT. ITS USE WILL INVALIDATE ANY CLAIM YOU MAY HAVE AND COULD MAKE THIS PRODUCT UNSAFE.

DEPENDING ON THE AMOUNT OF USE THIS PRODUCT RECEIVES, IT MAY BE NECESSARY TO TIGHTEN UP THE FIXINGS FROM TIME TO TIME. THIS IS COMPLETELY NORMAL FOR ANY FLAT PACK FURNITURE. DO NOT OVERTIGHTEN FIXINGS.

FOR CLEANING, YOU MAY USE A DAMP CLOTH (NOT WET). DO NOT USE POLISH, DETERGENT OR CHEMICAL CLEANERS.

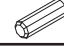


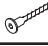






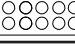

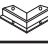




THIS SURFACE OF THIS ITEM IS NOT HEAT RESISTANT. ALWAYS USE A PLACE MAT UNDER HOT OR COLD ITEMS TO PREVENT MARKING.



PART LIST

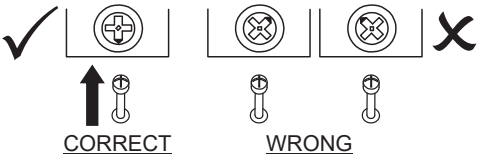
Part Number	Part Code	Part Description	Quantity	Carton
1	S100-102-157-ZF1-01	Right Side Panel	1	1/1
2	S100-102-157-ZF1-02	Left Side Panel	1	1/1
3	S100-102-157-ZF1-03	Left Drawer Side Panel	3	1/1
4	S100-102-157-ZF1-04	Right Drawer Side Panel	3	1/1
5	S100-102-157-ZF1-05	Bottom Panel	1	1/1
6	S100-102-157-ZF1-06	Top Panel	1	1/1
7	S100-102-157-ZF1-07	Drawer Back Panel	3	1/1
8	S100-102-157-ZF1-08	Top Back Support Panel	1	1/1
9	S100-102-157-ZF1-09	Bottom Back Support Panel	1	1/1
10	S100-102-157-ZF1-10	Front Support Panel	2	1/1
11	S100-102-157-ZF1-11	Drawer Support	3	1/1
12	S100-102-157-ZF1-12	Bottom Front Drawer	1	1/1
13	S100-102-157-ZF1-13	Centre Drawer Front	1	1/1
14	S100-102-157-ZF1-14	Top Drawer Front	1	1/1
15	S100-102-157-ZF1-15	Right Support Panel	1	1/1
16	S100-102-157-ZF1-16	Left Support Panel	1	1/1
17	S100-102-157-ZF1-17	Drawer Base	3	1/1
18	S100-102-157-ZF1-18	Back Panel	1	1/1

HARDWARE LIST

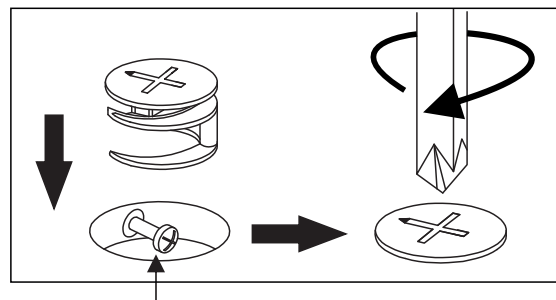
No	Part Name		Qty	Carton
A	M8x30mm Wooden Dowel		x22	1
B	Minifix Cam Bolt <small>(8032t)</small>		x25	1
C	Minifix Cam Nut <small>(1512)</small>		x25	1
D	M6.3x40mm Unitar Screw		x6	1
E	M3.5x16mm Screw		x26	1
F	M4x20mm Screw		x20	1
G	M4x25mm Screw		x3	1
H	Handle		x3	1
I	14" Drawer Slide <small>(VKT 0.9 - W)</small>		x3	1
J	PVC L-Bracket		x1	1
K	Screw Cover <small>(Sticker 22mm)</small>		x6	1
L	PVC Leg 160mm		x4	1
M	Corner Support <small>(AC101)</small>		x2	1
N	Allen Key M4		x1	1
O	Jointing Panel <small>(396x30x30mm)</small>		x4	1
P	Wall Fixing <small>(4x20mm=1pc)</small>		x1	1
Q	M4x38mm Screw		x21	1

TIPS FOR FITTINGS CAM-LOCKS

WHEN FITTING CAM NUT. ENSURE STARTING POSITION IS CORRECT BEFORE YOU INSERT CONNECTING CAM BOLT TURN CLOCKWISE UNTIL SECURE



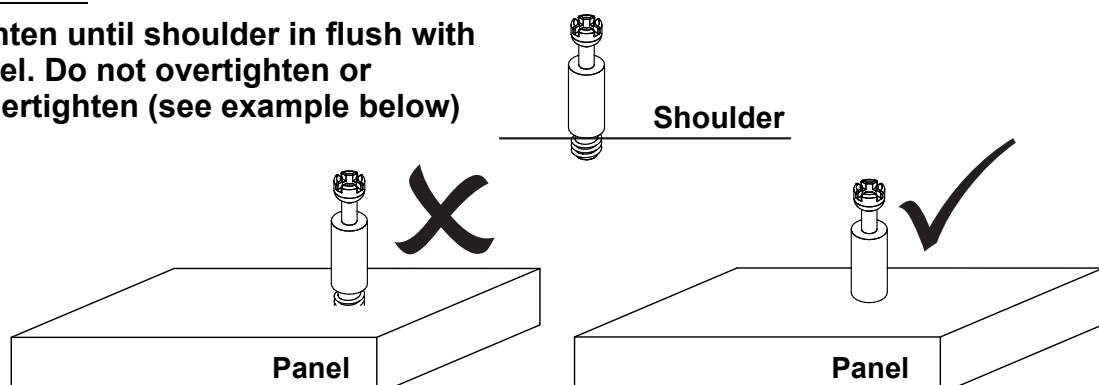
CORRECT
WRONG



Cam bolt head needs to be in centre

CAMBOLT

Tighten until shoulder in flush with panel. Do not overtighten or undertighten (see example below)

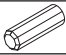


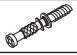
STEP 1

PARTS REQUIRED

6 - TOP PANEL x1

HARDWARE REQUIRED

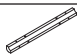
A  16

B  16

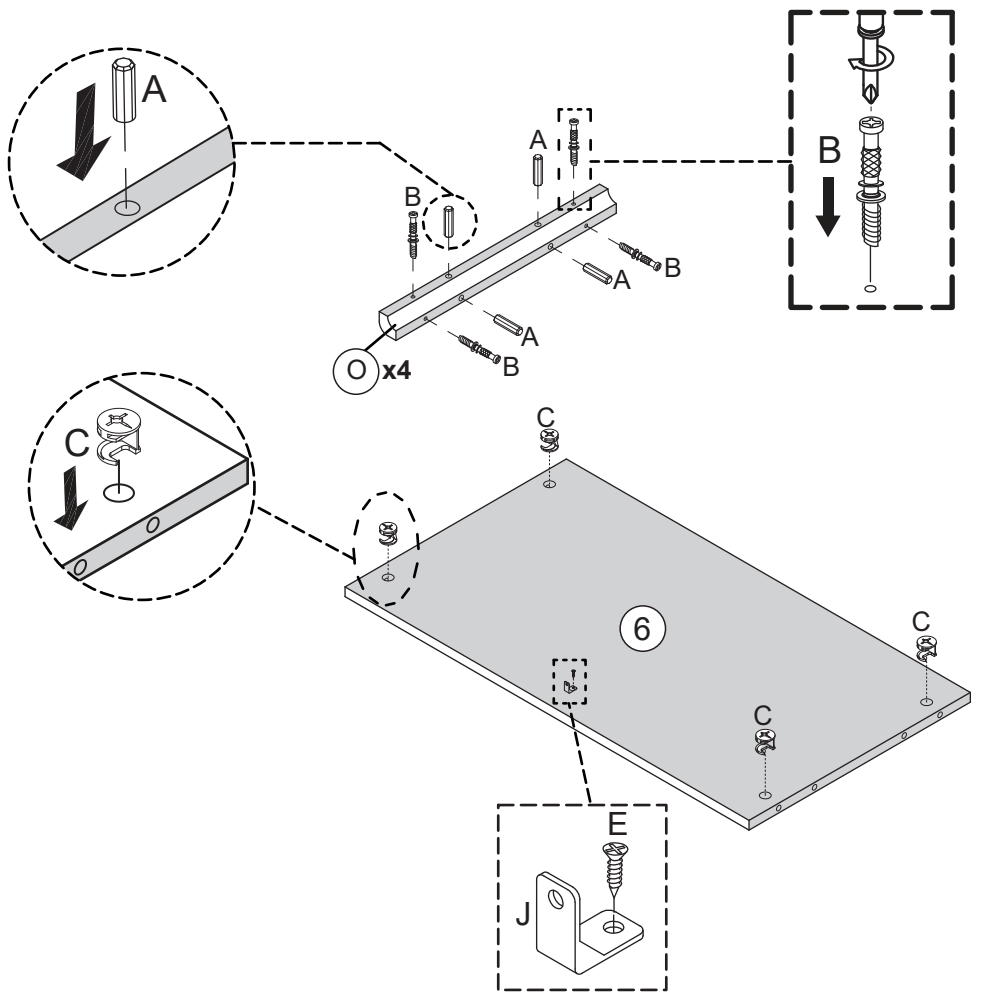
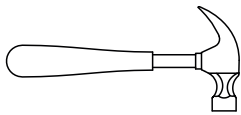
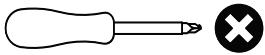
C  04

E  3.5x16mm 01

J  01

O  04

TOOLS REQUIRED



STEP 2

PARTS REQUIRED

1 - RIGHT SIDE PANEL x1

2 - LEFT SIDE PANEL x1

5 - BOTTOM PANEL x1

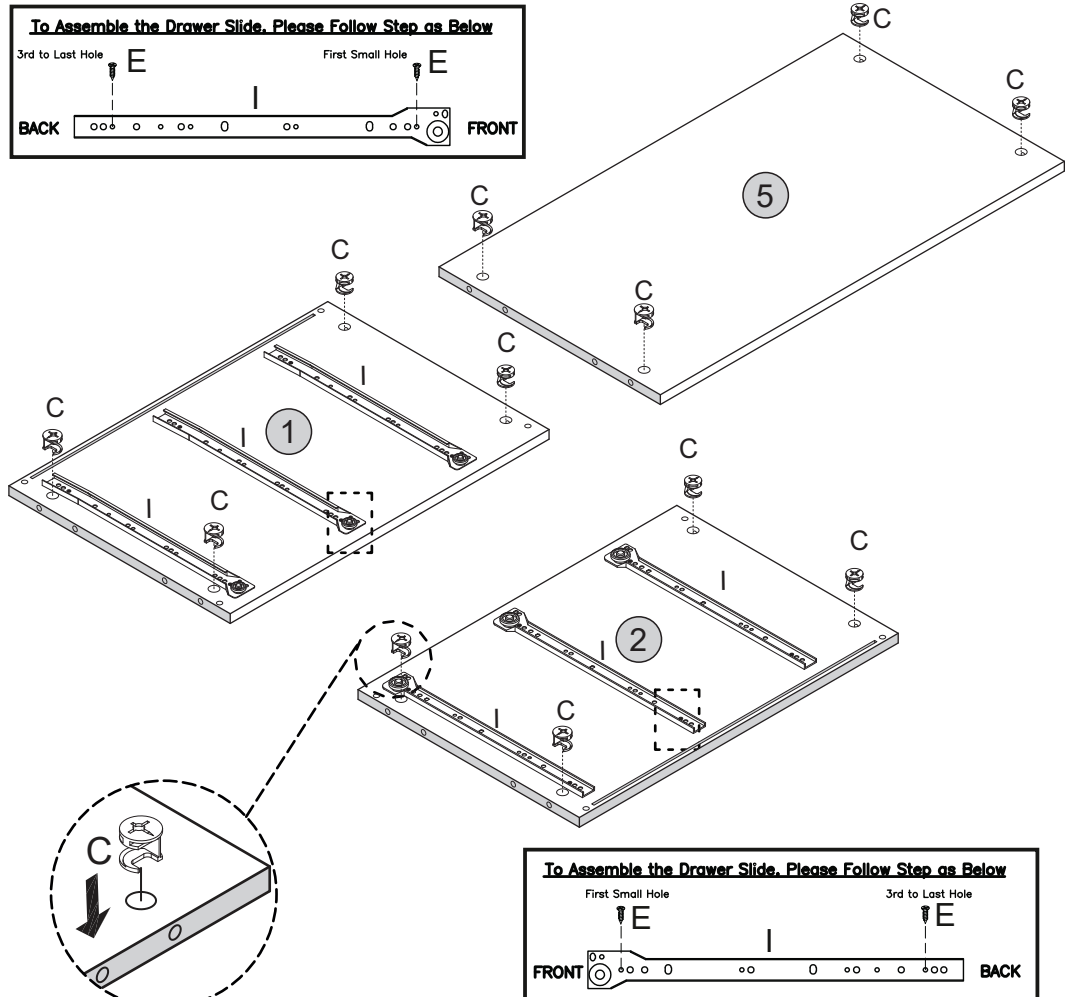
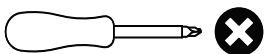
HARDWARE REQUIRED

C  12

E  3.5x16mm 12

I  03

TOOLS REQUIRED

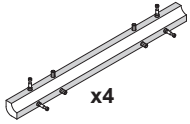


STEP 3

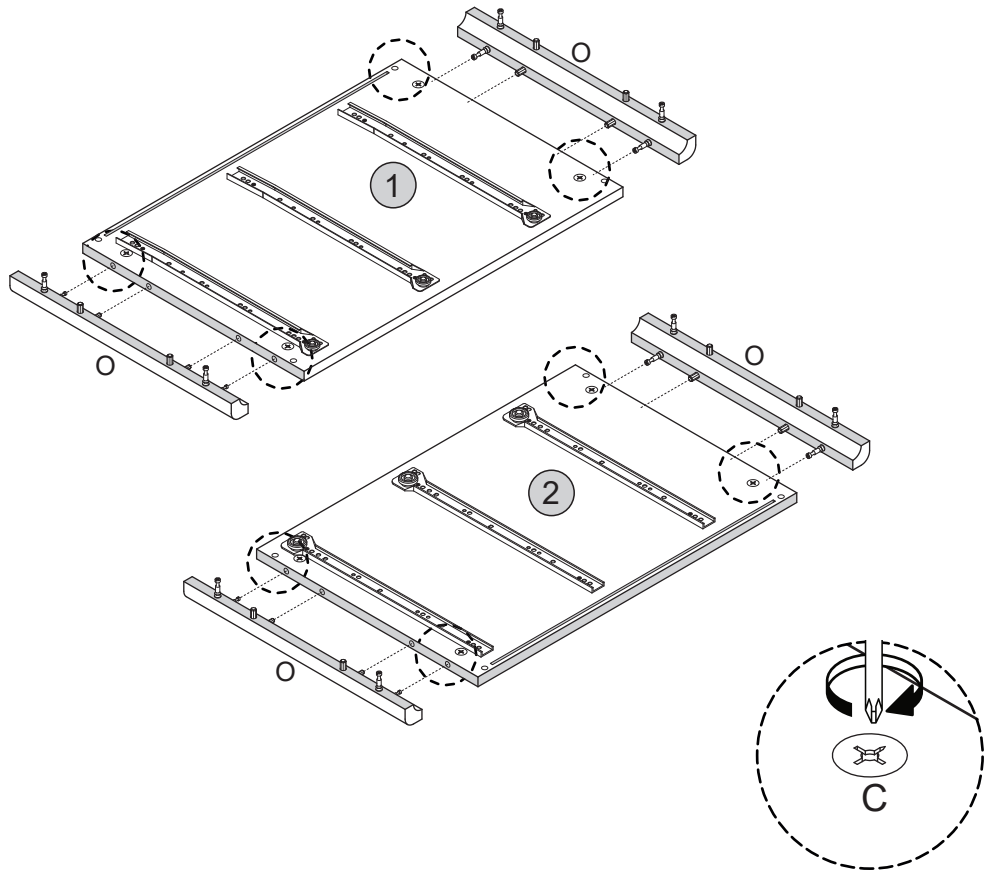
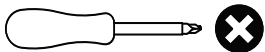
PARTS REQUIRED

- 1 - RIGHT SIDE PANEL x1
- 2 - LEFT SIDE PANEL x1

HARDWARE REQUIRED



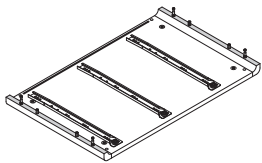
TOOLS REQUIRED



STEP 4

PARTS REQUIRED

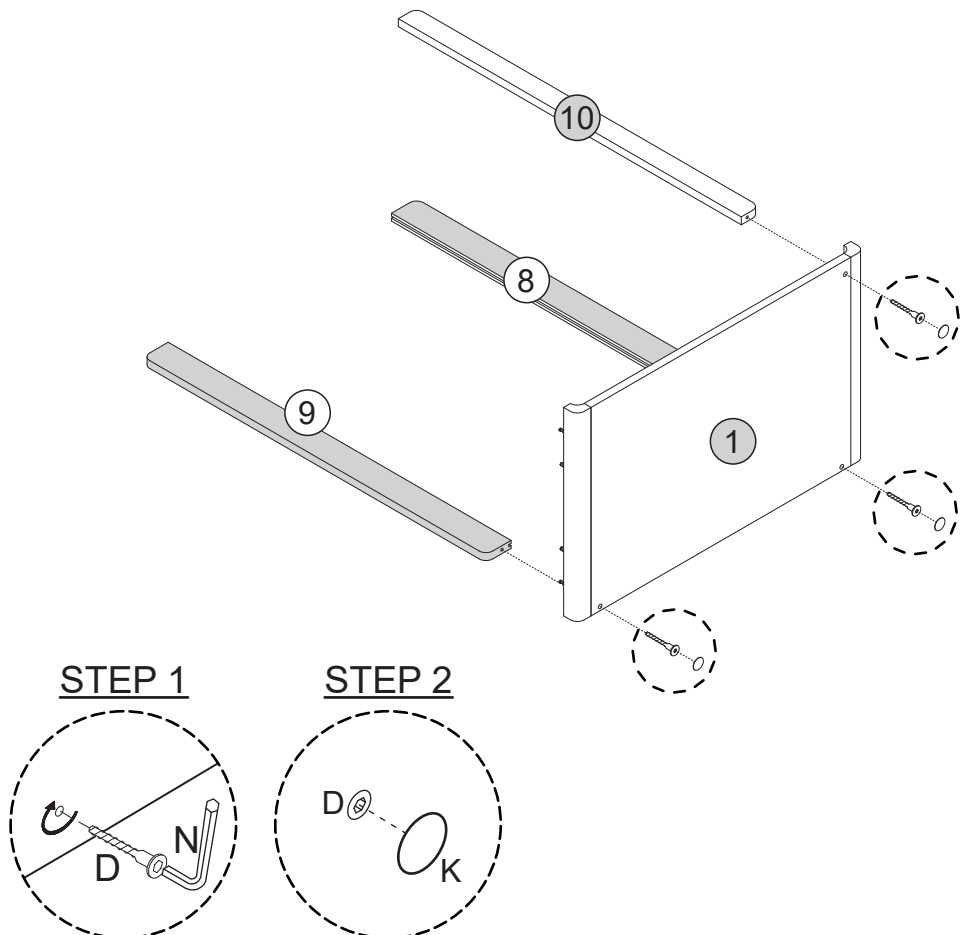
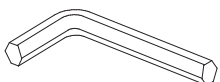
- 8 - TOP BACK SUPPORT x1
- 9 - BOTTOM BACK SUPPORT x1
- 10 - FRONT SUPPORT x1



HARDWARE REQUIRED

- D 03
- K 03

TOOLS REQUIRED

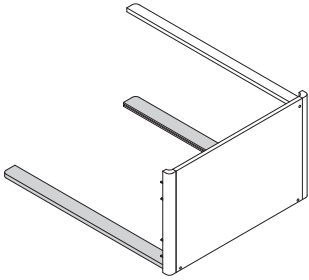


STEP 5

PARTS REQUIRED

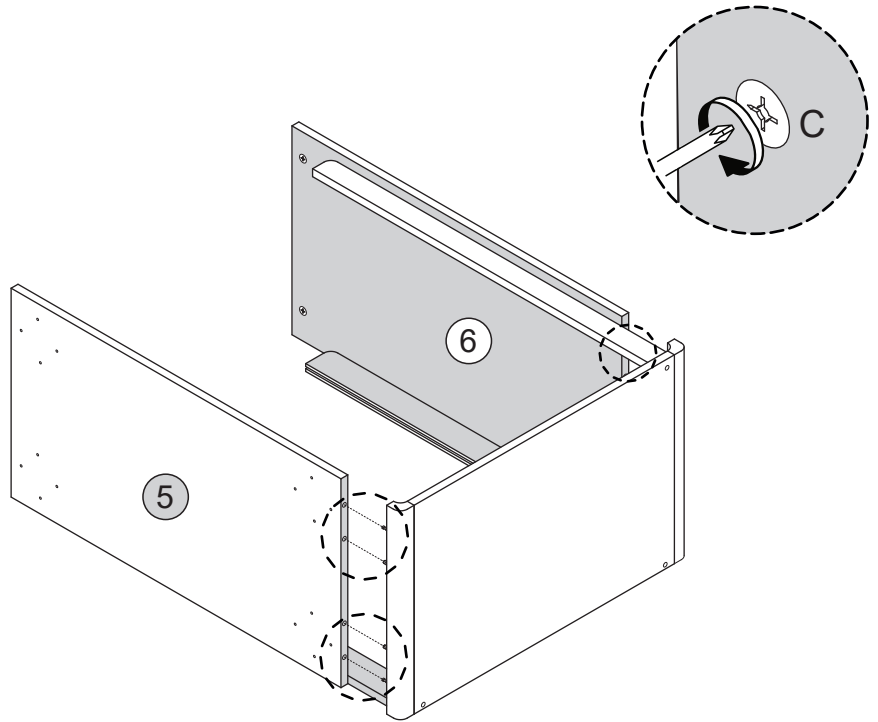
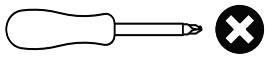
5 - BOTTOM PANEL x1

6 - TOP PANEL x1



HARDWARE REQUIRED

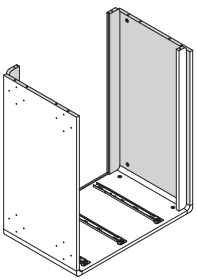
TOOLS REQUIRED



STEP 6

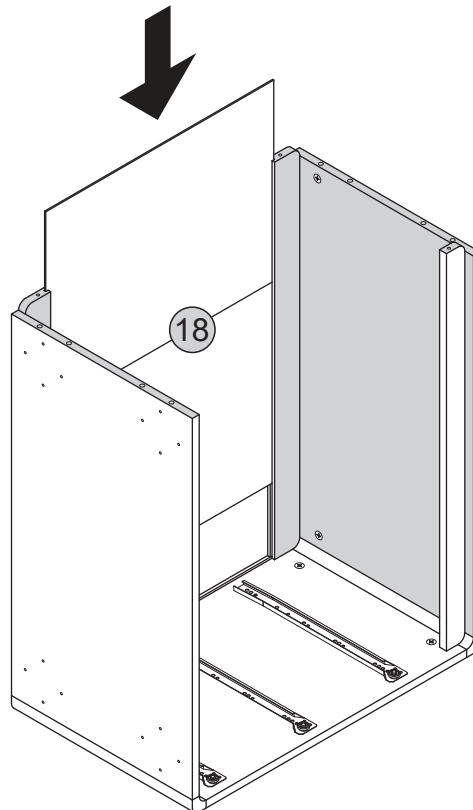
PARTS REQUIRED

18 - BACK PANEL x1



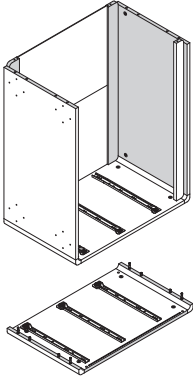
HARDWARE REQUIRED

TOOLS REQUIRED

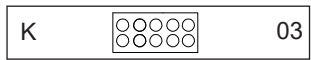
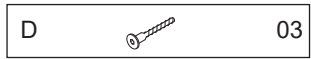


STEP 7

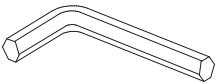
PARTS REQUIRED



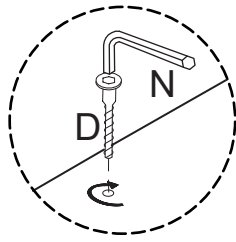
HARDWARE REQUIRED



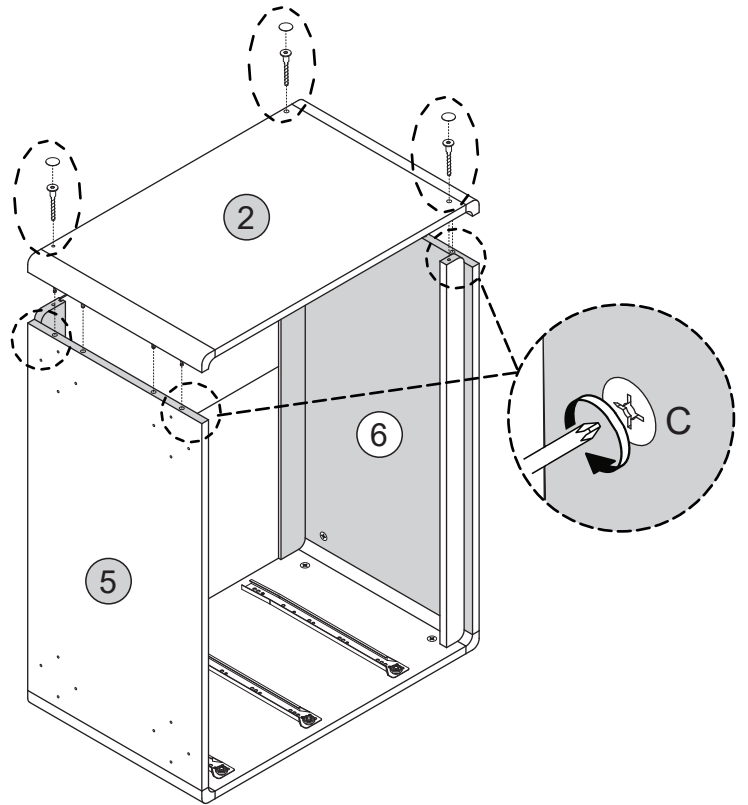
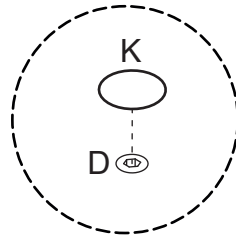
TOOLS REQUIRED



STEP 1

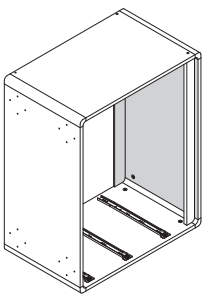


STEP 2



STEP 8

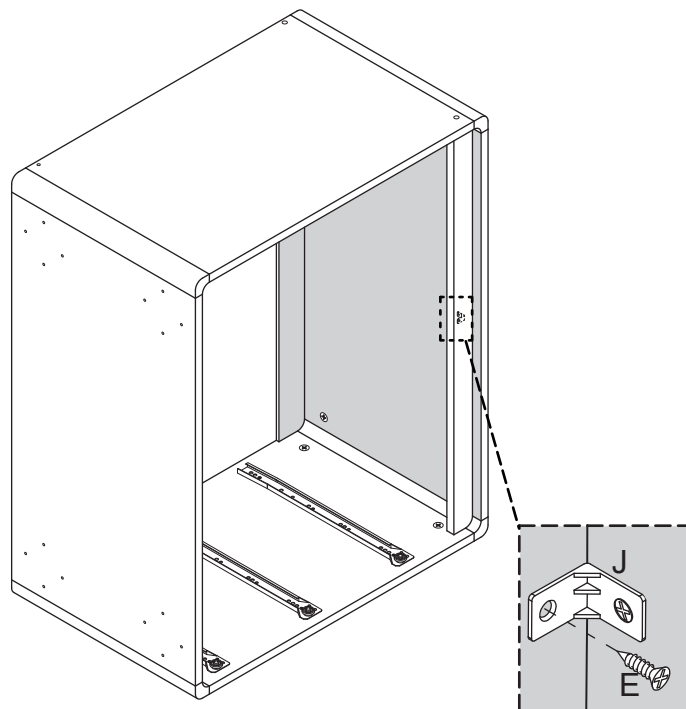
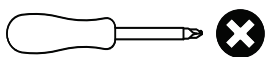
PARTS REQUIRED



HARDWARE REQUIRED

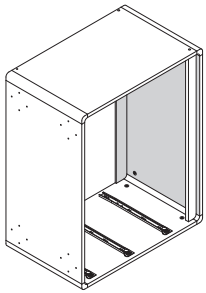


TOOLS REQUIRED






STEP 9

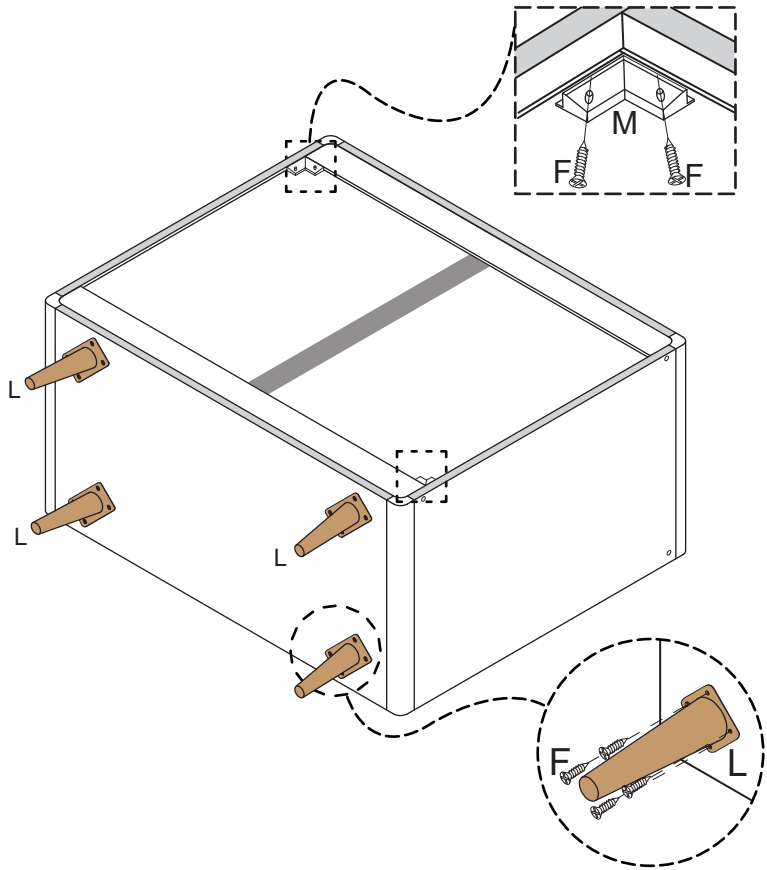
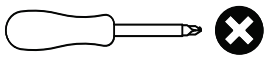
PARTS REQUIRED



HARDWARE REQUIRED

F		20
L		04
M		02

TOOLS REQUIRED

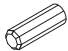




STEP 10

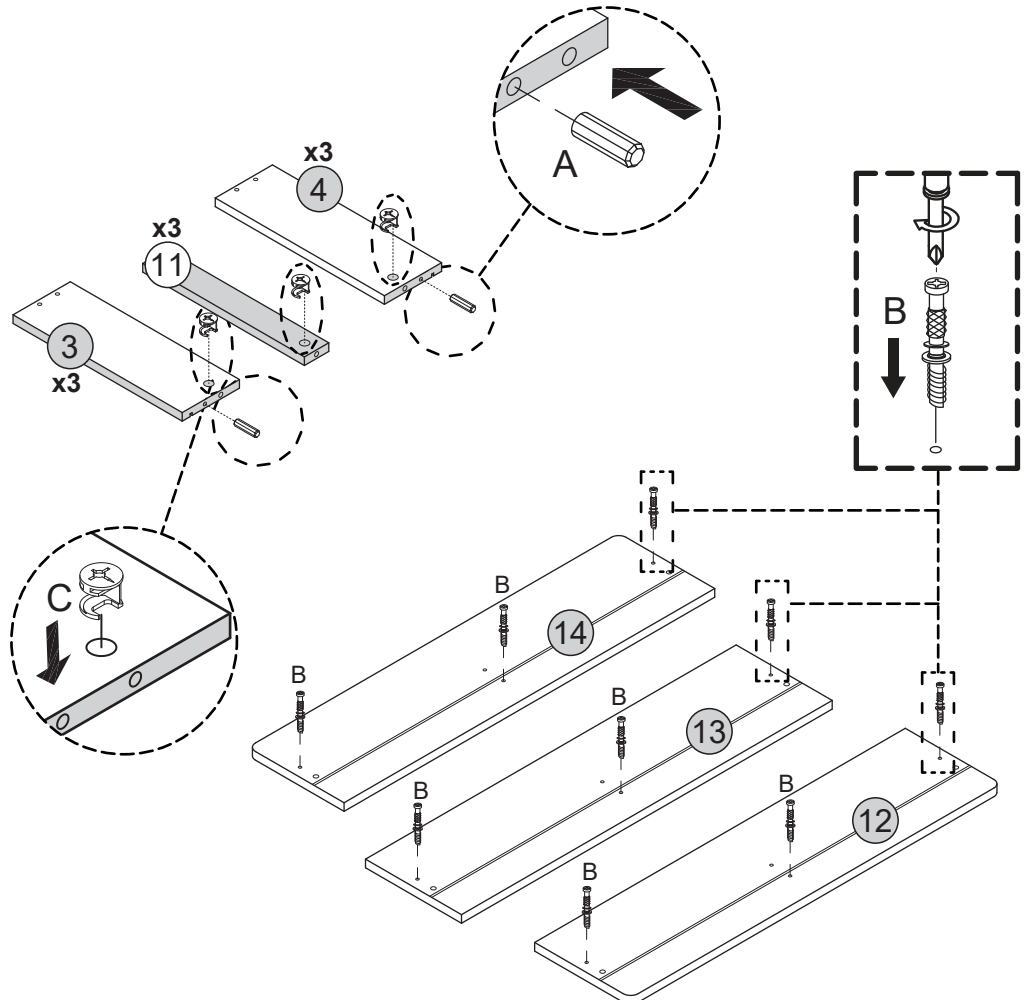
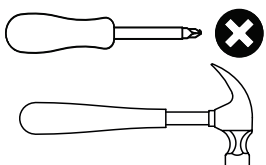
PARTS REQUIRED

3 - LEFT DRAWER SIDE	x3
4 - RIGHT DRAWER SIDE	x3
11 - DRAWER SUPPORT	x1
12 - BOTTOM DRAWER FRONT	x1
13 - CENTRE DRAWER FRONT	x1
14 - TOP DRAWER FRONT	x1

HARDWARE REQUIRED

A		06
B		09
C		09

TOOLS REQUIRED



STEP 11

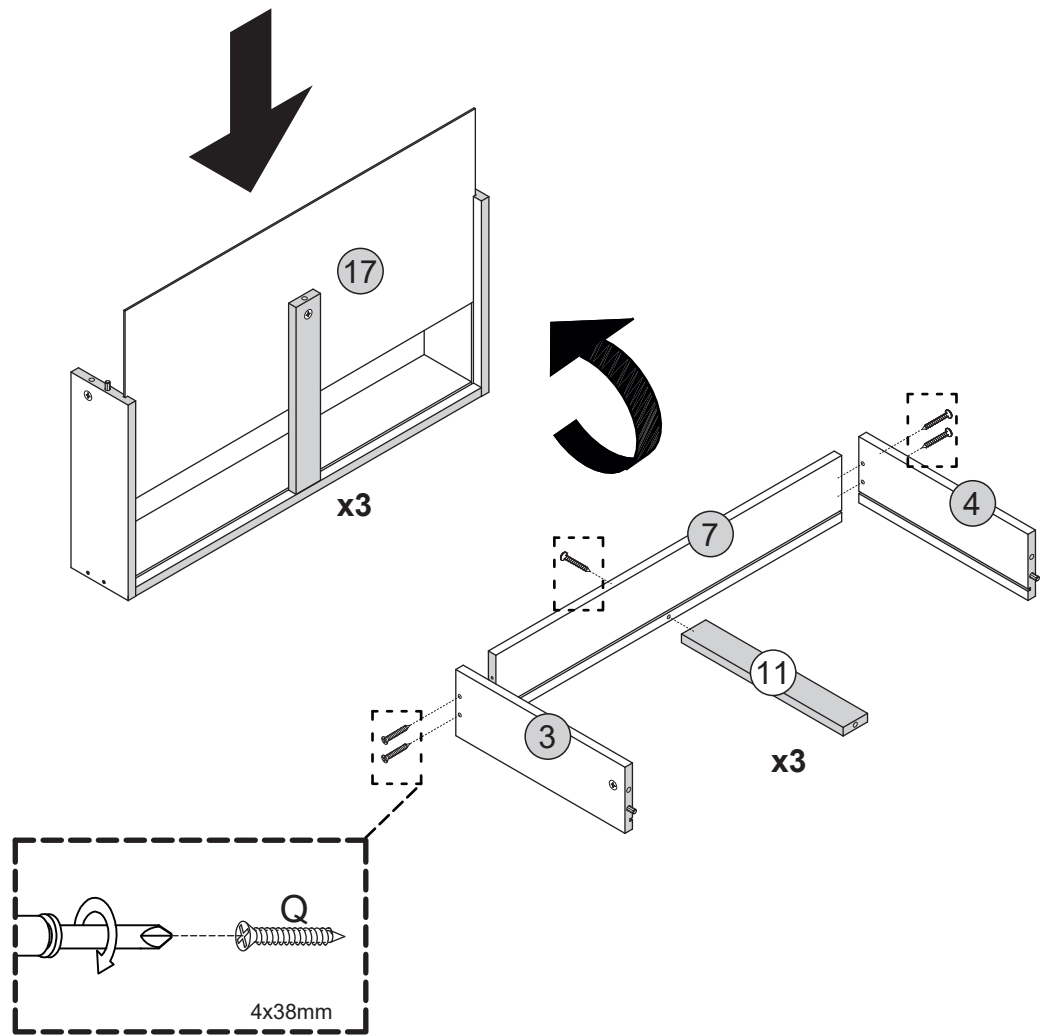
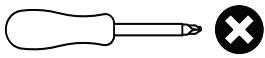
PARTS REQUIRED

- 3 - LEFT DRAWER SIDE x3
- 4 - RIGHT DRAWER SIDE x3
- 7 - DRAWER BACK x3
- 11 - DRAWER SUPPORT x3
- 17 - DRAWER BASE x3

HARDWARE REQUIRED

- Q  15

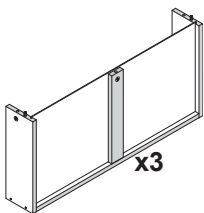
TOOLS REQUIRED



STEP 12

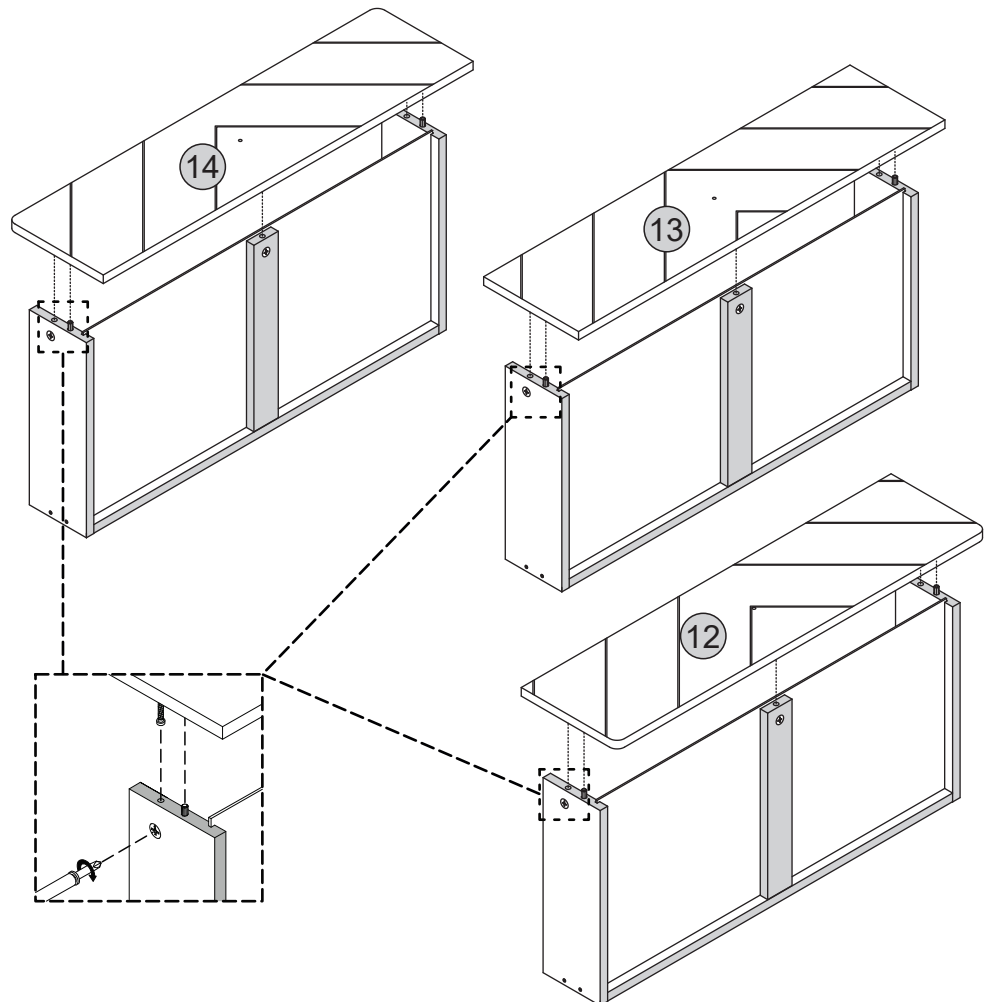
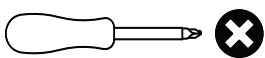
PARTS REQUIRED

- 12 - BOTTOM DRAWER FRONT x1
- 13 - CENTRE DRAWER FRONT x1
- 14 - TOP DRAWER FRONT x1



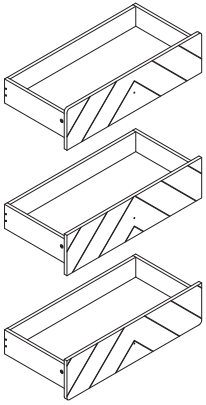
HARDWARE REQUIRED

TOOLS REQUIRED



STEP 13

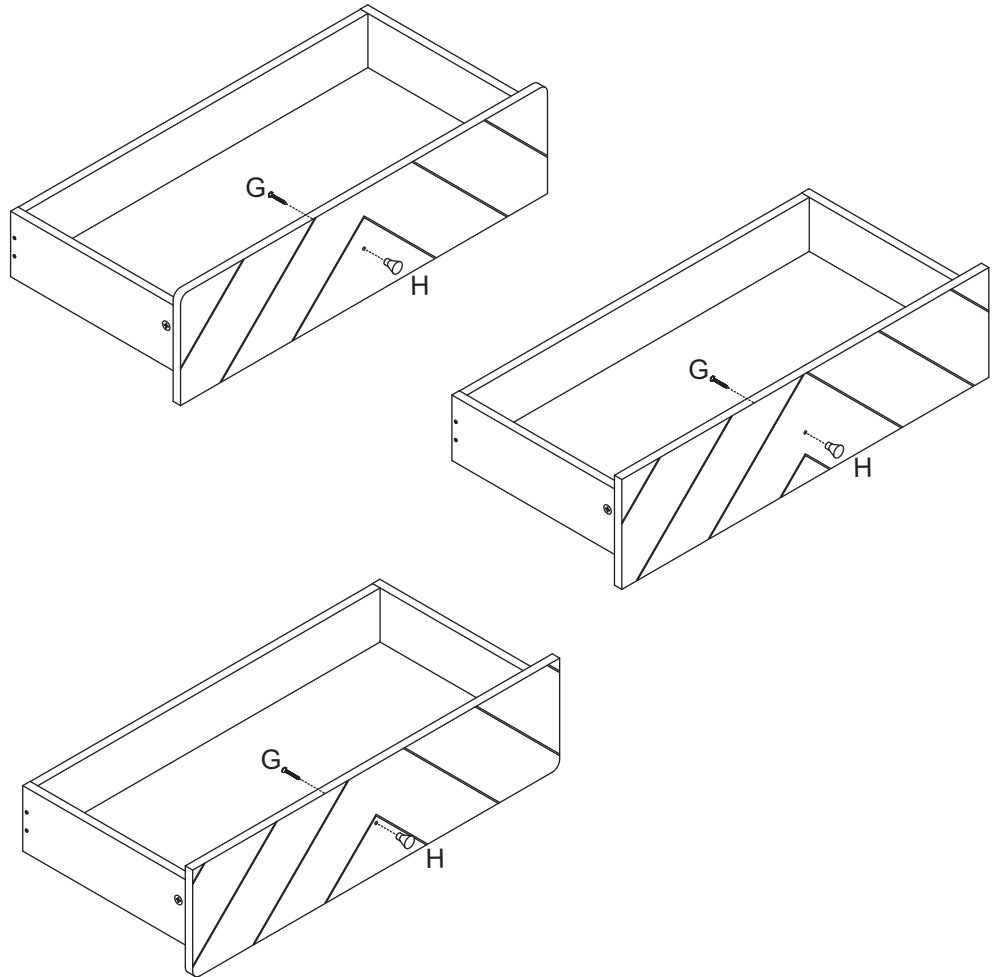
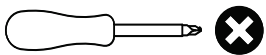
PARTS REQUIRED



HARDWARE REQUIRED

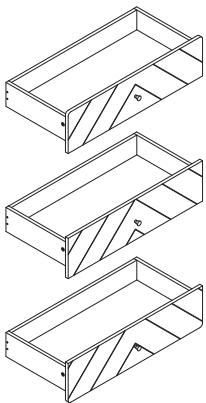


TOOLS REQUIRED



STEP 14

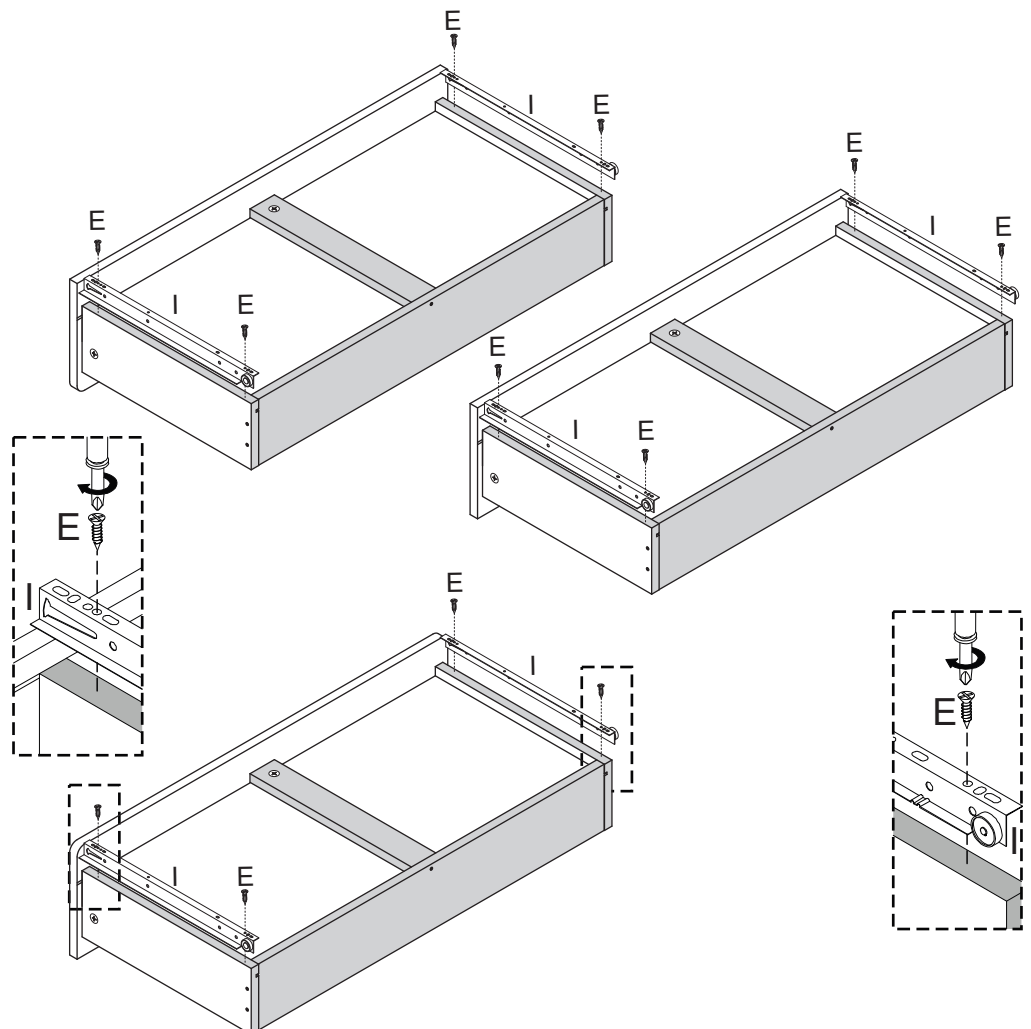
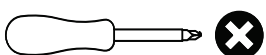
PARTS REQUIRED



HARDWARE REQUIRED



TOOLS REQUIRED

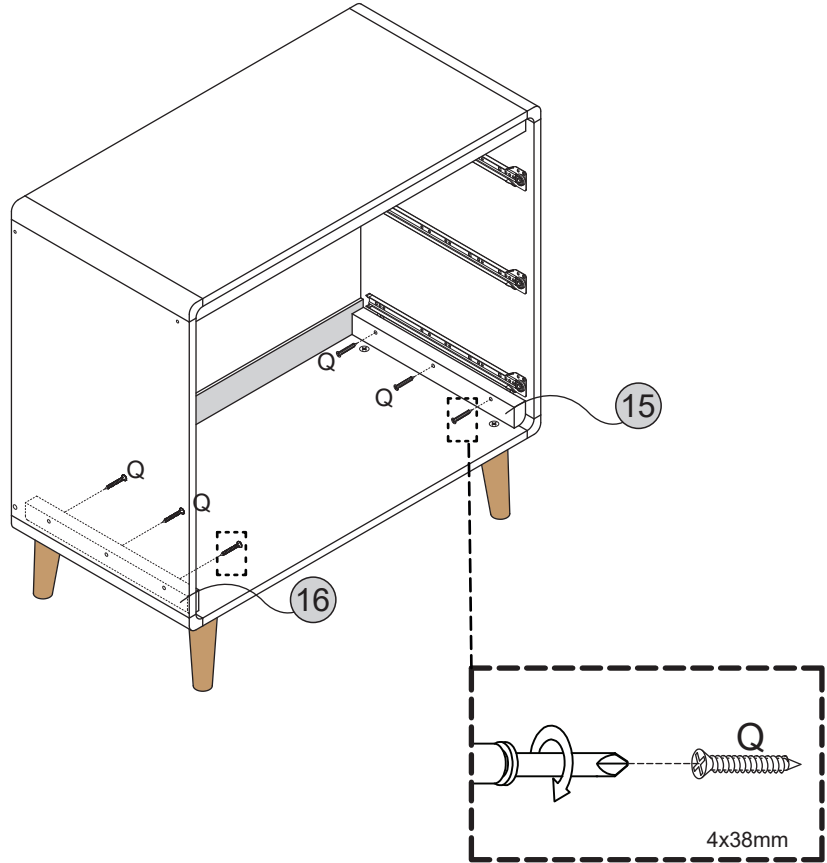
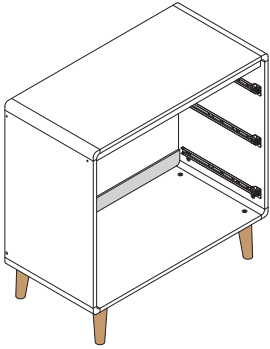


STEP 15

PARTS REQUIRED

15 - RIGHT SUPPORT PANEL x1

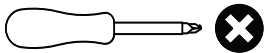
16 - LEFT SUPPORT PANEL x1



HARDWARE REQUIRED

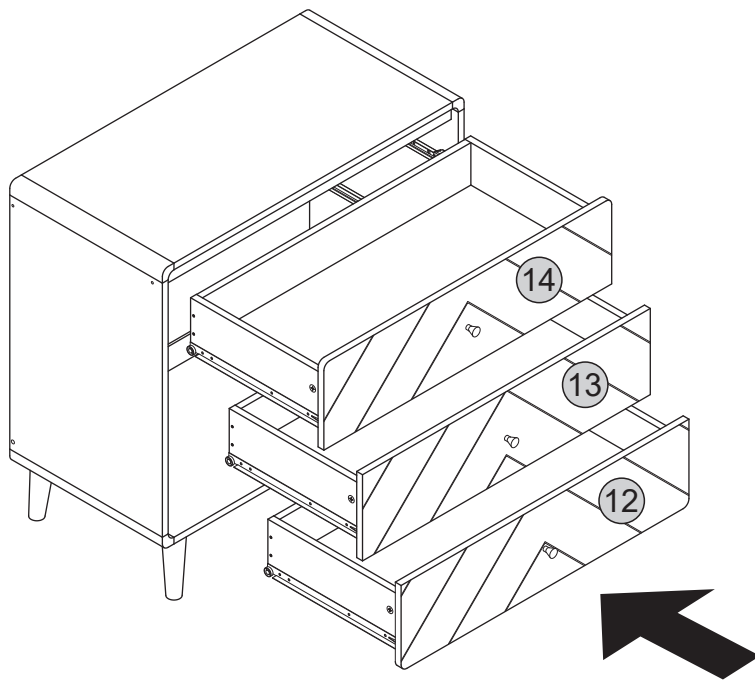
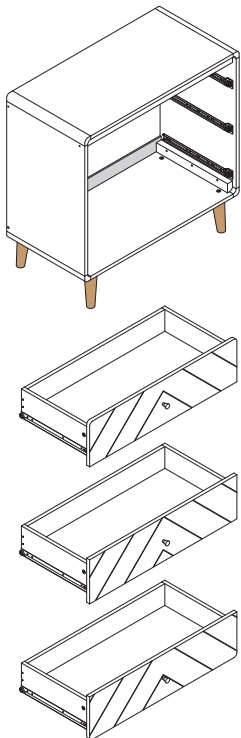
Q  06
4x38mm

TOOLS REQUIRED



STEP 16

PARTS REQUIRED

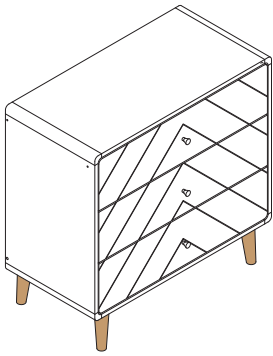


HARDWARE REQUIRED

TOOLS REQUIRED

STEP 17

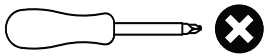
PARTS REQUIRED



HARDWARE REQUIRED



TOOLS REQUIRED



WARNING

Serious or fatal injuries can occur from furniture tipping over. To prevent the furniture from tipping over we recommend that it is permanently fixed to the wall.

Wall fixings are not supplied with this product as different wall materials require different types of fixing devices. Please make sure you use fixings suitable for the walls in your home.

