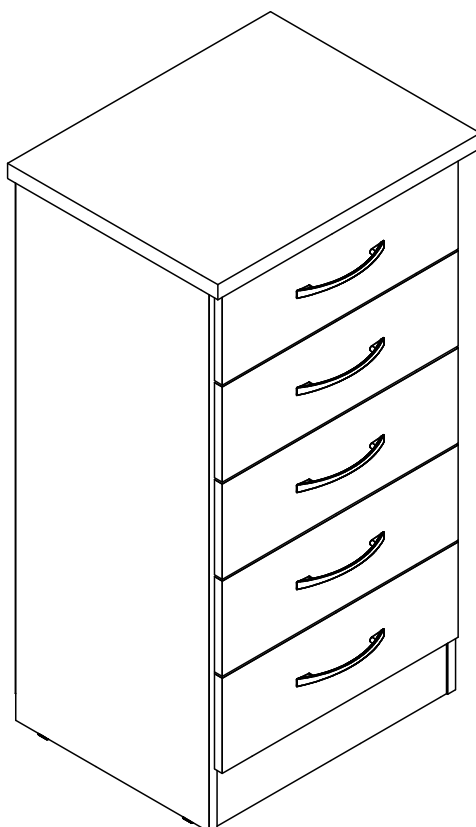


NEVADA 5 DRAWER NARROW CHEST ASSEMBLY INSTRUCTIONS



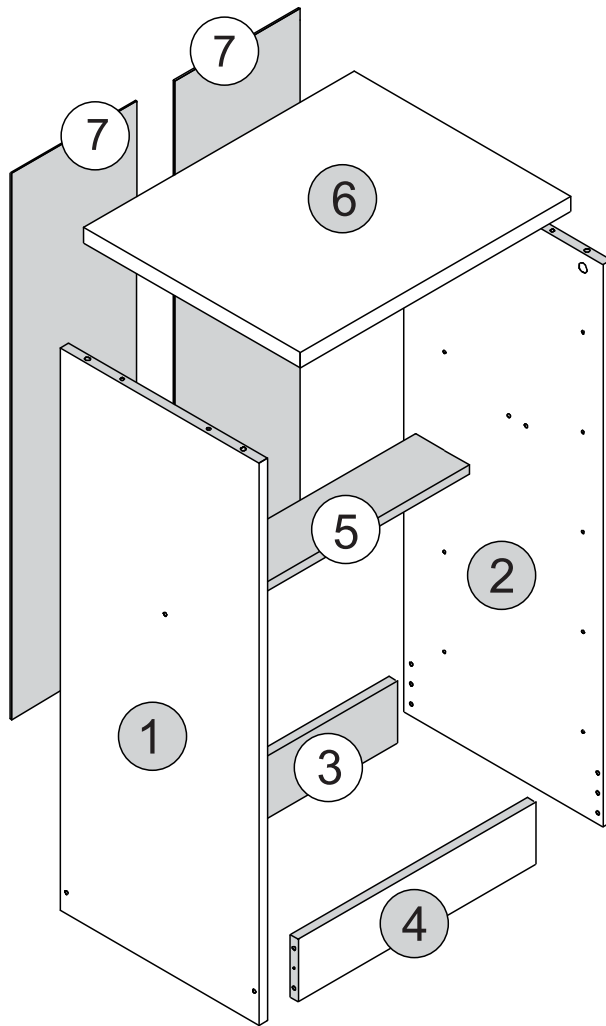
IMPORTANT FOR DOMESTIC USE ONLY

PLEASE READ BEFORE YOU CONTINUE FURTHER

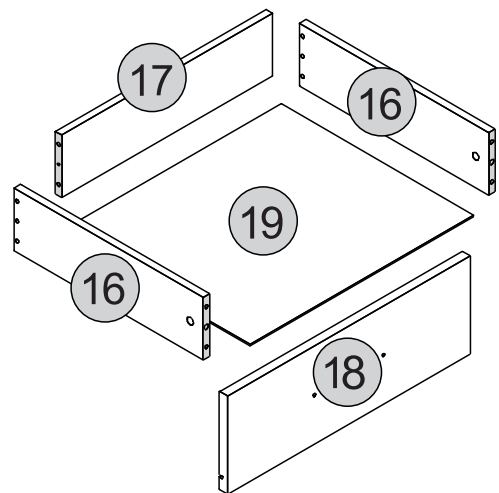
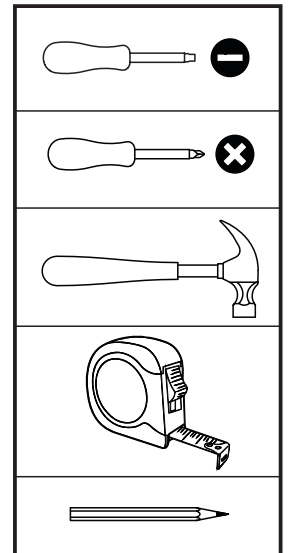
CARE AND MAINTENANCE

After unpacking this product please keep the original packaging in case it needs to be returned for any reason.

- Please ensure all fittings and parts are present before commencing with assembly.
- Never drag or push products as this could cause damage to the joints making it inferior.
- We strongly recommend that you keep children away from your work area.
- We recommend that you lay a blanket or sheet on the floor to avoid damage to both your floor and the product.
- Assemble this product as close to its final position as possible.
- Do not place this product next to a radiator or in direct sunlight.
- Do not drag or push items across your high gloss furniture as this may cause the surface to scratch
- Wood is a natural product and may expand if subjected to damp and may shrink or crack if subjected to heat. Therefore it is recommended that room temperature is maintained, with no sudden temperature fluctuations.
- Make sure any spillage is wiped off immediately.
- Do not place hot or chilled items directly on to the surface, use a place mat or marking will occur.
- For general cleaning use a soft cotton or micro fibre cloth, and do not use detergents of any kind.
- From time to time it may be necessary to tighten fittings, regular inspections should be carried out.
- Do not place on a wet or damp floor as staining may occur to your floor.



TOOLS REQUIRED


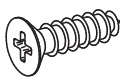
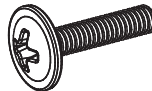

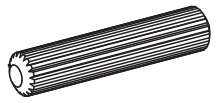
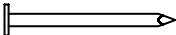

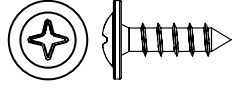


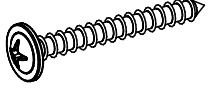
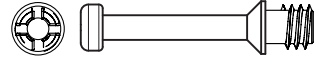


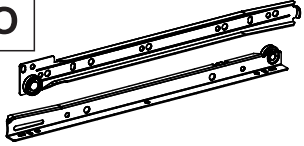
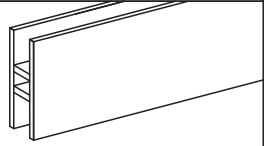




PARTS LIST

Please Note:
The below parts have all been stamped with the part number to help identify them during assembly.

Part Number	Part Description	Quantity	Carton
01	Left Side Panel	1	1/1
02	Right Side Panel	1	1/1
03	Back Baseboard	1	1/1
04	Front Baseboard	1	1/1
05	Crossbar	1	1/1
06	Top Panel	1	1/1
07	Back Panel	2	1/1
16	Drawer Side	10	1/1
17	Drawer Back Panel	5	1/1
18	Drawer Front	5	1/1
19	Drawer Bottom	5	1/1


FITTINGS LIST

<p>A</p>  <p>Flat Head Screw Ø6,0 x 8mm (20x)</p>	<p>B</p>  <p>Flat Head Screw Ø4,0 x 14mm (30x)</p>	<p>C</p>  <p>Flan Head Screw Ø4,0 x 20mm (10x)</p>	<p>D</p>  <p>Flat Head Screw Ø4,0 x 45mm(16x)</p>
<p>E</p>  <p>2/+ Dowel Ø6,0 x 30mm (54x)</p>	<p>F</p>  <p>+/5 Nail 10 x 10 (70x)</p>	<p>G</p>  <p>1/+ Cam Nut Ø12mm (14x)</p>	<p>H</p>  <p>1/+ Flan Head Screw Ø3,5 x 12mm (4x)</p>
<p>I</p>  <p>1/+ Washer (2x)</p>	<p>J</p>  <p>1/+ Plastic Foot (4x)</p>	<p>K</p>  <p>1/+ Flan Head Screw Ø3,5 x 30mm (1x)</p>	<p>L</p>  <p>1/+ Cam Bolt (14x)</p>
<p>M</p>  <p>2/+ Hole Plugs (26x)</p>	<p>N</p>  <p>GLUE Glue (3x)</p>	<p>O</p>  <p>Drawer Runners (5x)</p>	<p>P</p>  <p>Back Panel Strip (1x)</p>
<p>Q</p>  <p>Strap (1x)</p>	<p>R</p>  <p>Handle (5x)</p>		

TIPS FOR FITTINGS CAM-LOCKS

WHEN FITTING CAM NUT. ENSURE STARTING POSITION IS CORRECT BEFORE YOU INSERT CONNECTING CAM BOLT TURN CLOCKWISE UNTIL SECURE


✓



↑

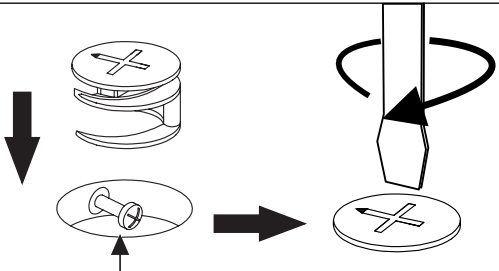
CORRECT

✗



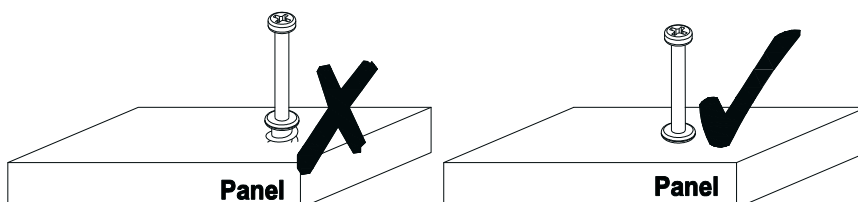
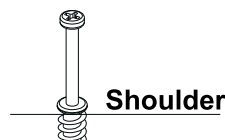
↑

WRONG



Cam bolt head needs to be in centre

CAMBOLT
Tighten until shoulder in flush with panel. Do not overtighten or undertighten (see example beside)

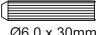


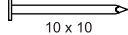
STEP 1

PARTS REQUIRED

1 - LEFT SIDE PANEL x1

HARDWARE REQUIRED

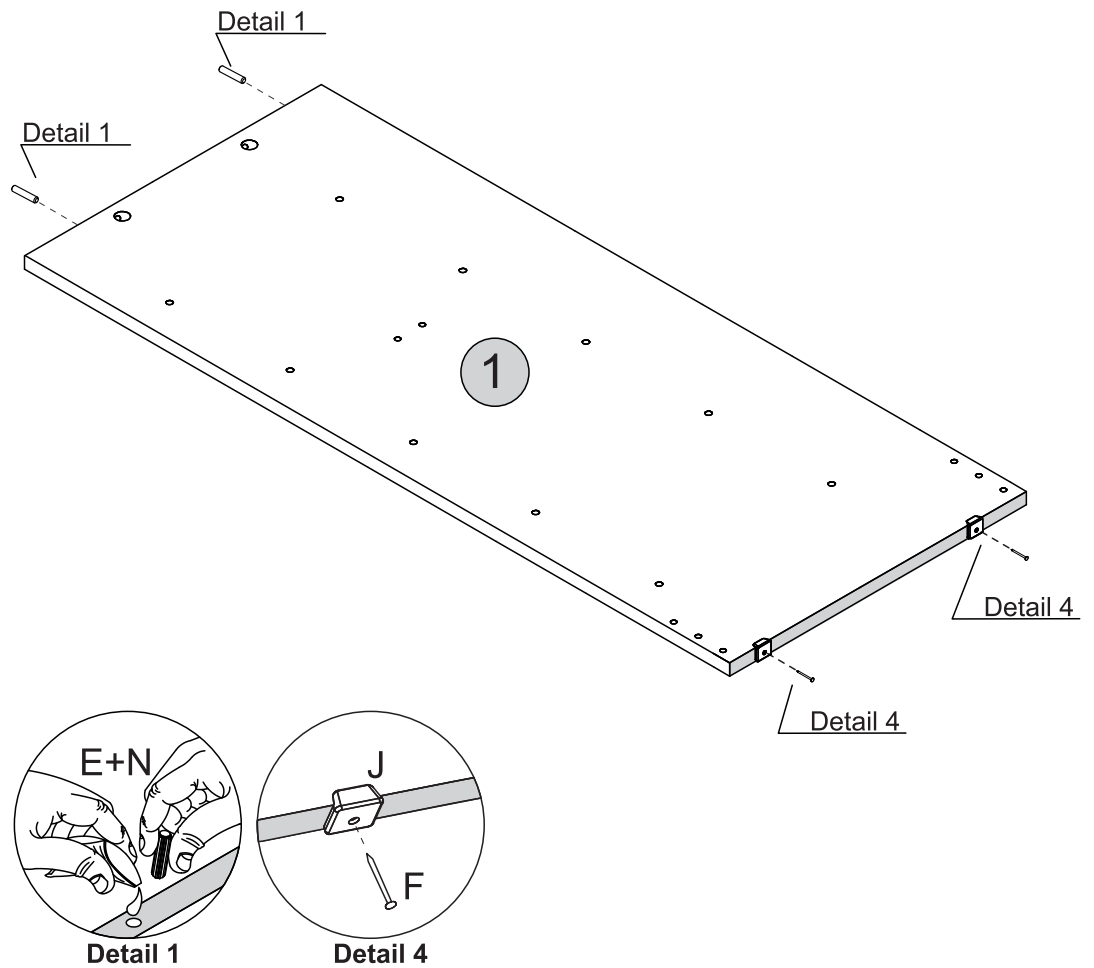
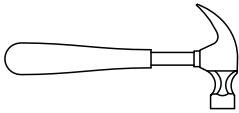
E  02
Ø6,0 x 30mm

F  02
10 x 10

J  02

N  01
GLUE

TOOLS REQUIRED




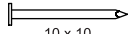
STEP 2

PARTS REQUIRED

2 - RIGHT SIDE PANEL x1

HARDWARE REQUIRED

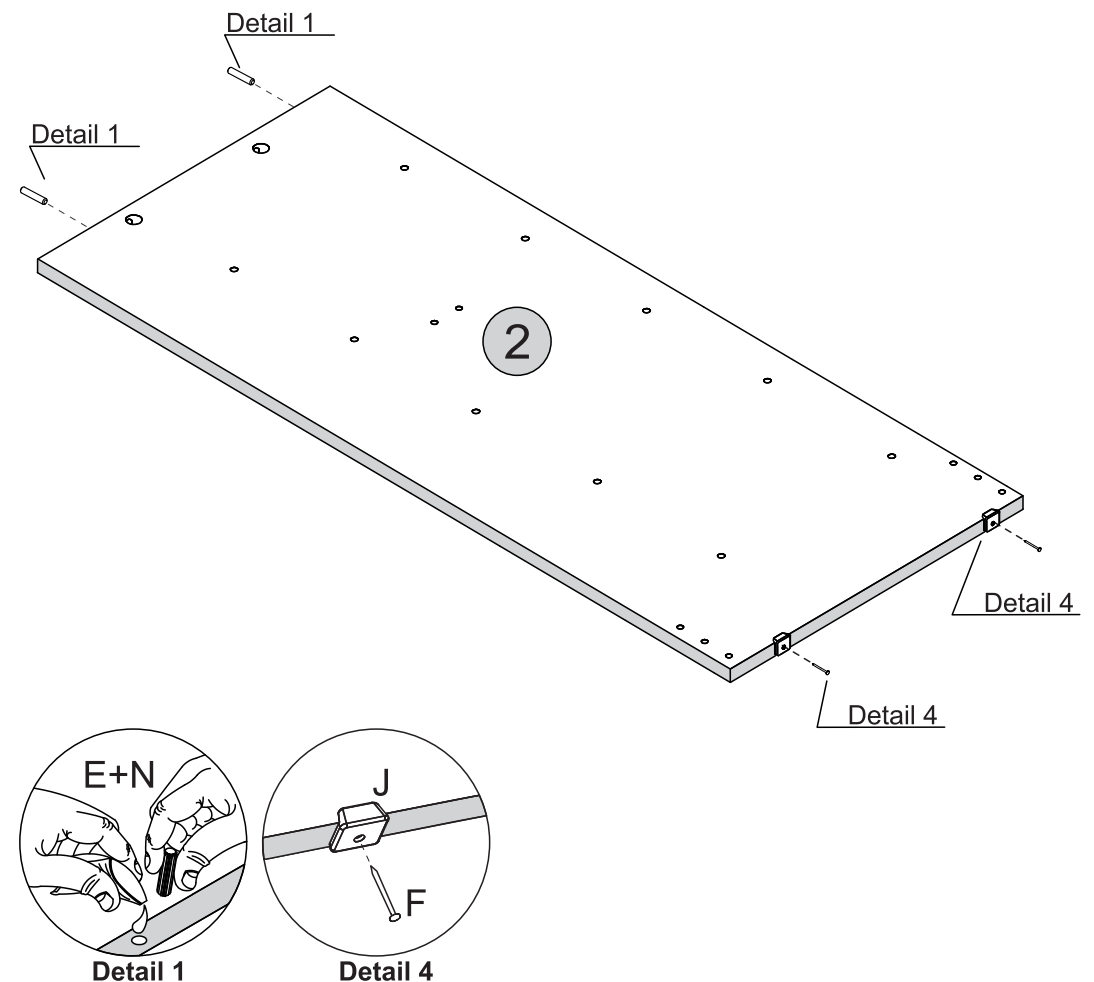
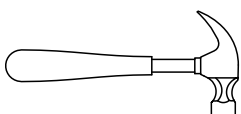
E  02
Ø6,0 x 30mm

F  02
10 x 10

J  02

N  01
GLUE

TOOLS REQUIRED



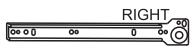
STEP 3

PARTS REQUIRED

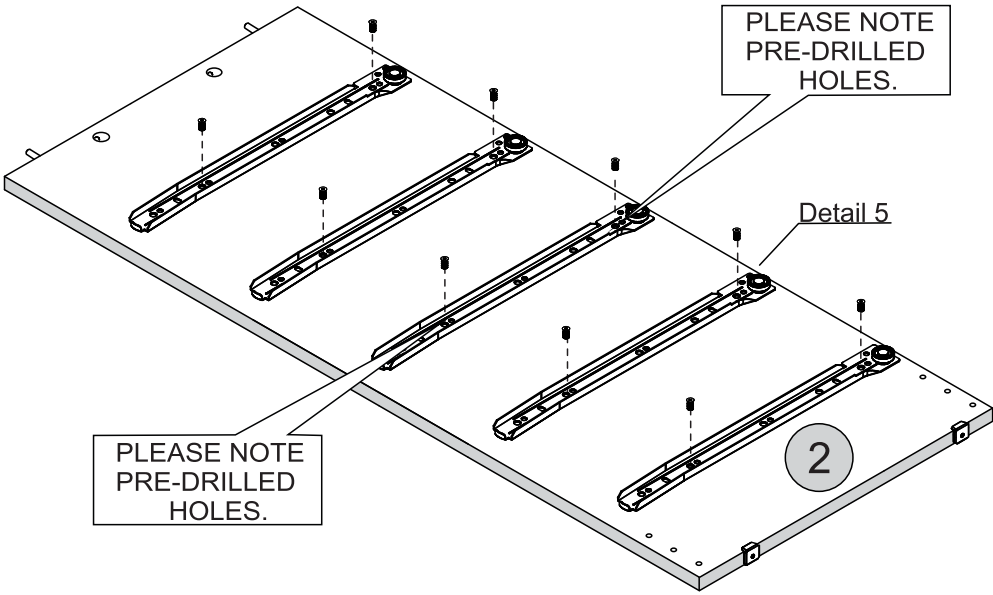
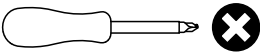
2 - RIGHT SIDE PANEL x1

HARDWARE REQUIRED

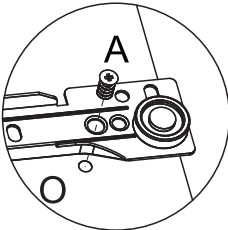
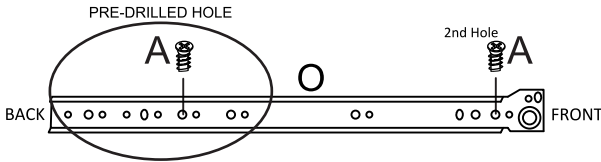
A  10
Ø6,0 x 8mm

O  05
RIGHT

TOOLS REQUIRED



To Assemble the Drawer Slide, Please Follow Step as Below




Detail 5

STEP 4

PARTS REQUIRED

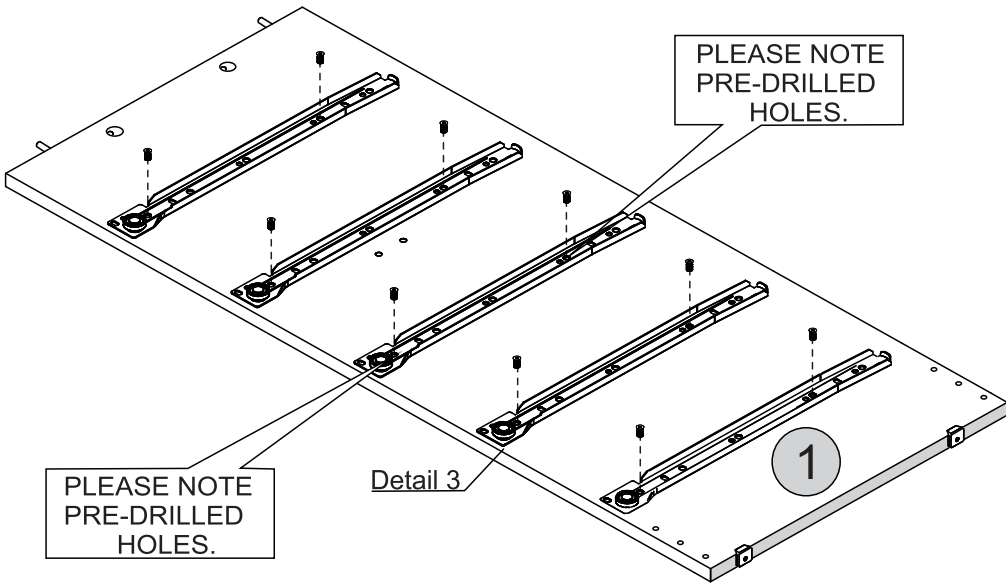
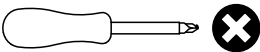
1 - LEFT SIDE PANEL x1

HARDWARE REQUIRED

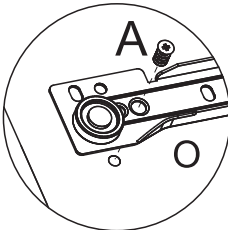
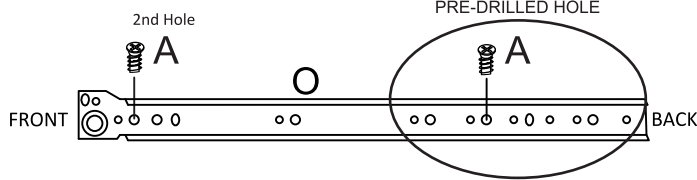
A  10
Ø6,0 x 8mm

O  05
LEFT

TOOLS REQUIRED



To Assemble the Drawer Slide, Please Follow Step as Below



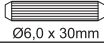

Detail 3

STEP 5

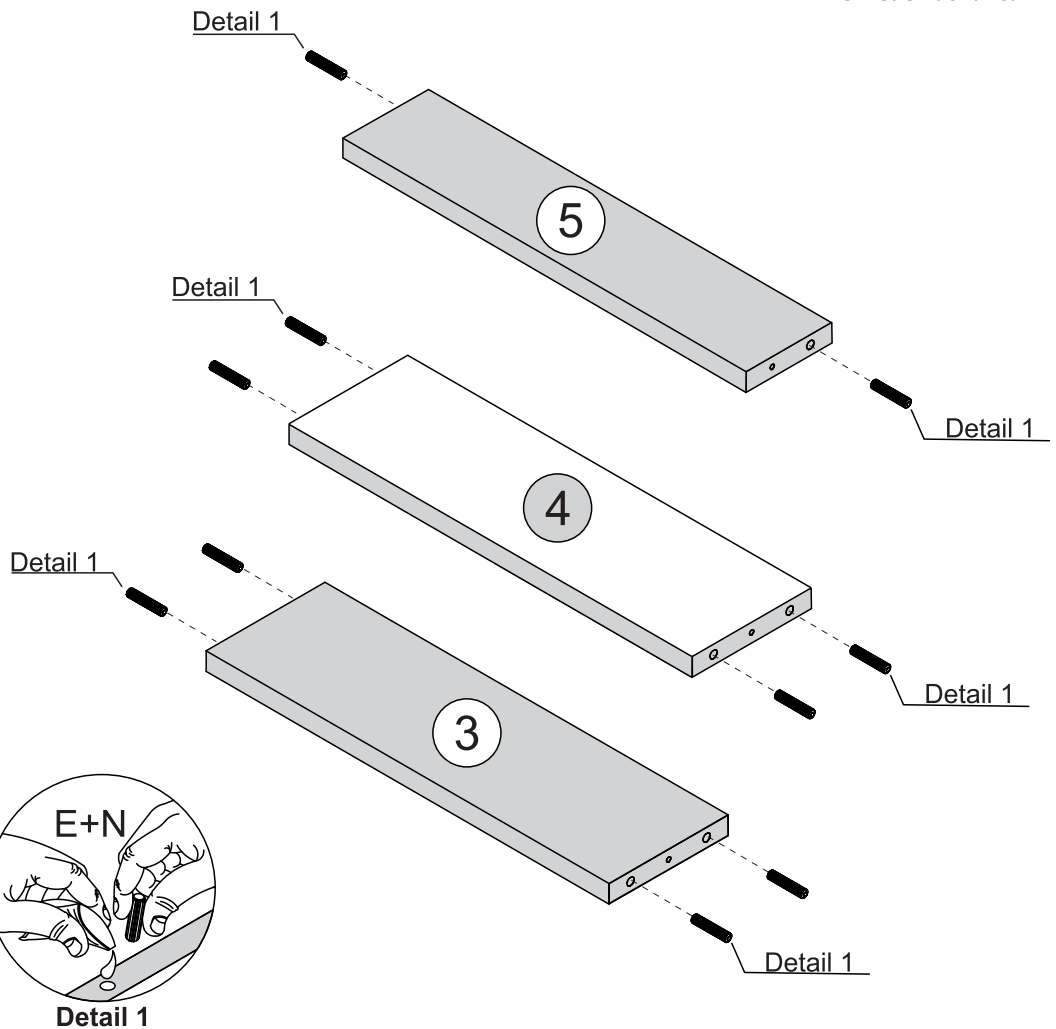
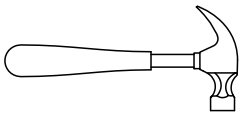
PARTS REQUIRED

- 3 - BACK BASEBOARD x1
- 4 - FRONT BASEBOARD x1
- 5 - CROSSBAR x1

HARDWARE REQUIRED

- E  10
Ø6,0 x 30mm
- N  01
GLUE

TOOLS REQUIRED





STEP 6

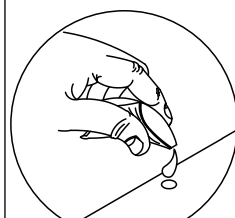
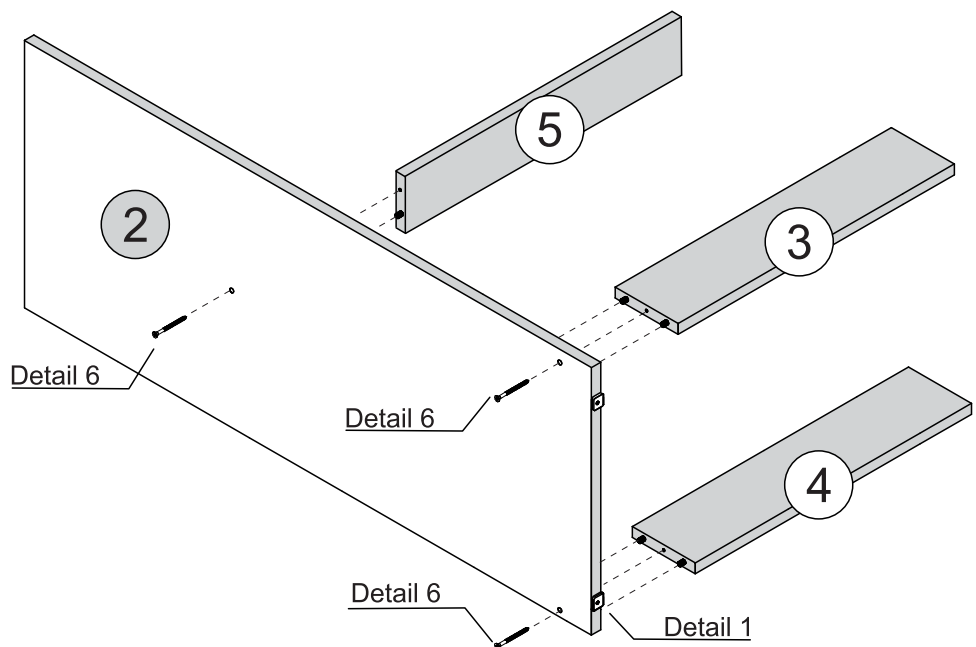
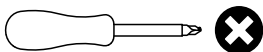
PARTS REQUIRED

- 2 - RIGHT SIDE PANEL x1
- 3 - BACK BASEBOARD x1
- 4 - FRONT BASEBOARD x1
- 5 - CROSSBAR x1

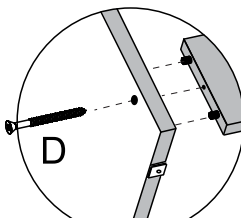
HARDWARE REQUIRED

- D  03
Ø4,0 x 45mm
- K  01
GLUE

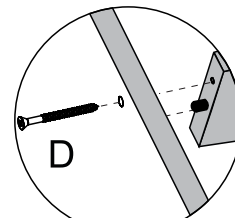
TOOLS REQUIRED



Detail 1



Detail 6

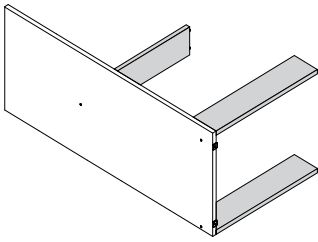


Detail 6

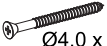
STEP 7

PARTS REQUIRED

1 - LEFT SIDE PANEL x1

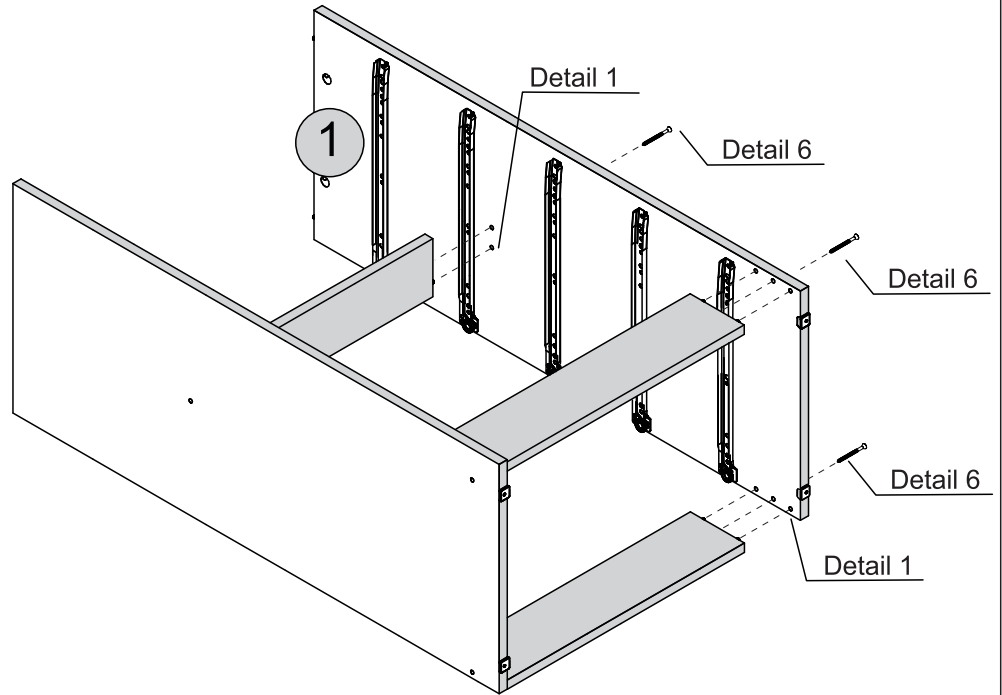
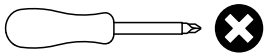


HARDWARE REQUIRED

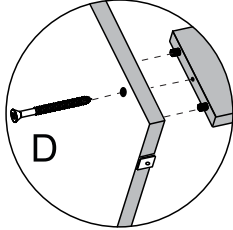
D  Ø4,0 x 45mm 03

K  GLUE 01

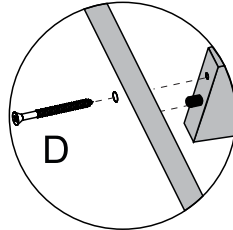
TOOLS REQUIRED



Detail 1



Detail 6



Detail 6

STEP 8

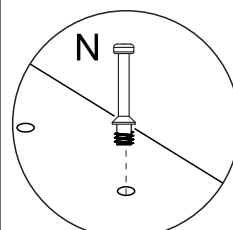
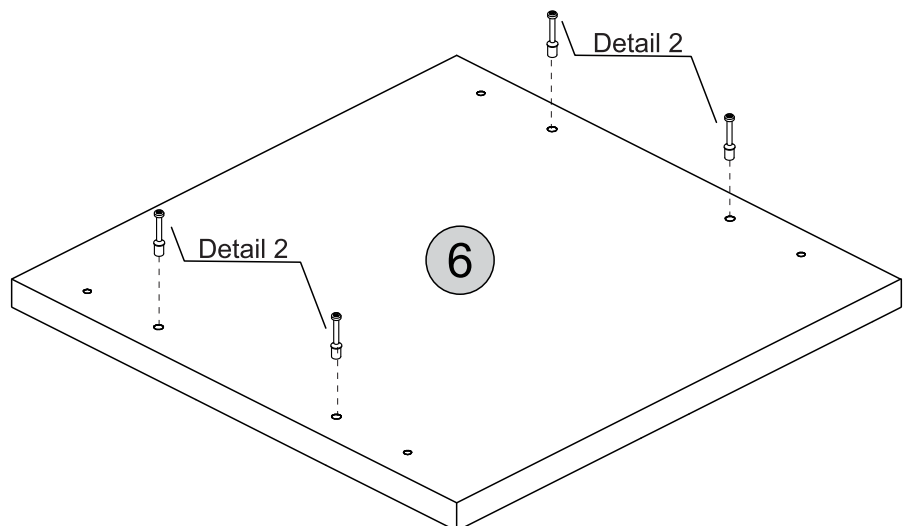
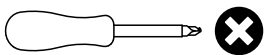
PARTS REQUIRED

5 - TOP PANEL x1

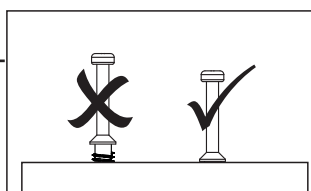
HARDWARE REQUIRED

L  04

TOOLS REQUIRED



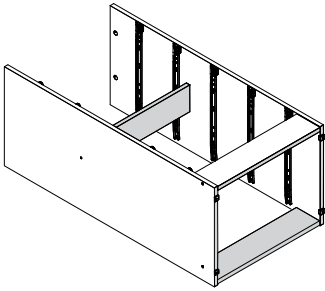
Detail 2



STEP 9

PARTS REQUIRED

6 - TOP PANEL x1

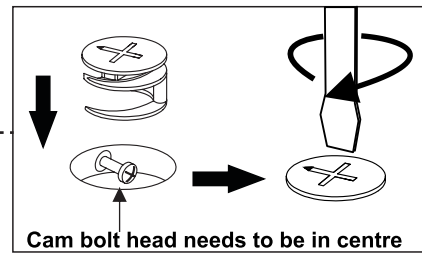
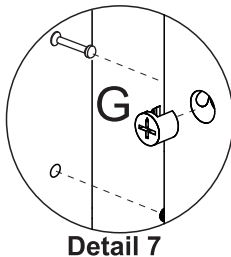
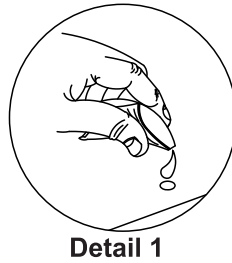
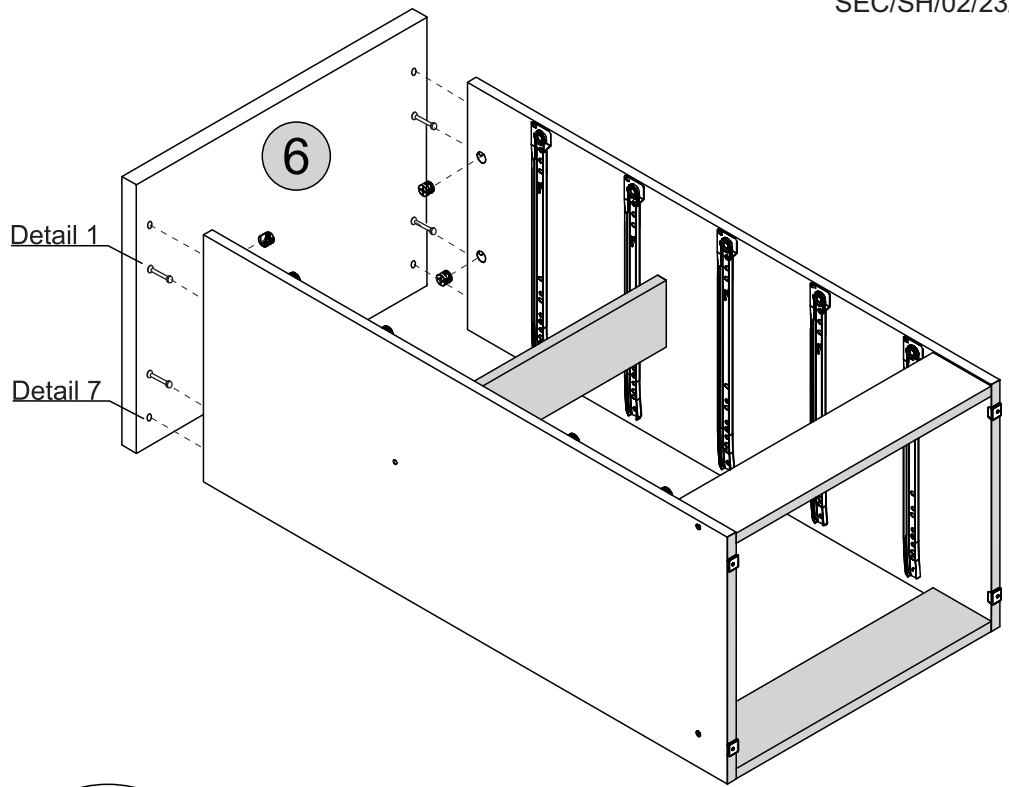
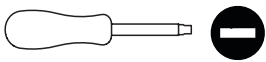


HARDWARE REQUIRED

G  04

N  01

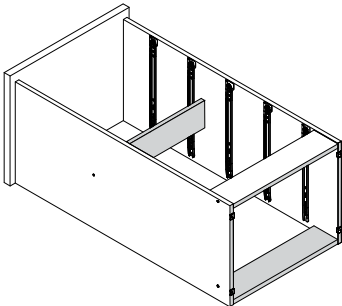
TOOLS REQUIRED



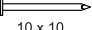
STEP 10

PARTS REQUIRED

7 - BACK PANEL x2



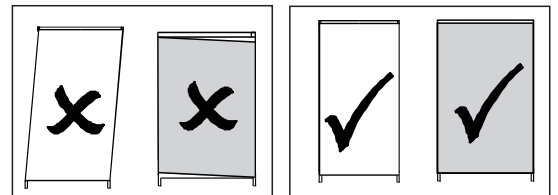
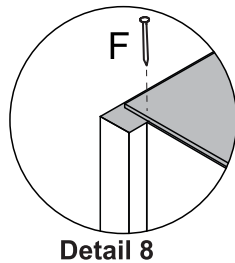
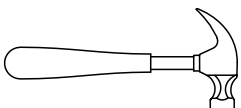
HARDWARE REQUIRED

F  10 x 10 26

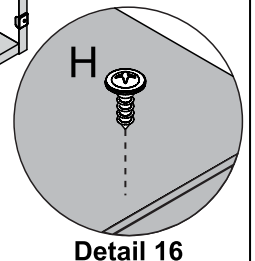
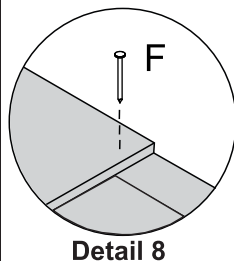
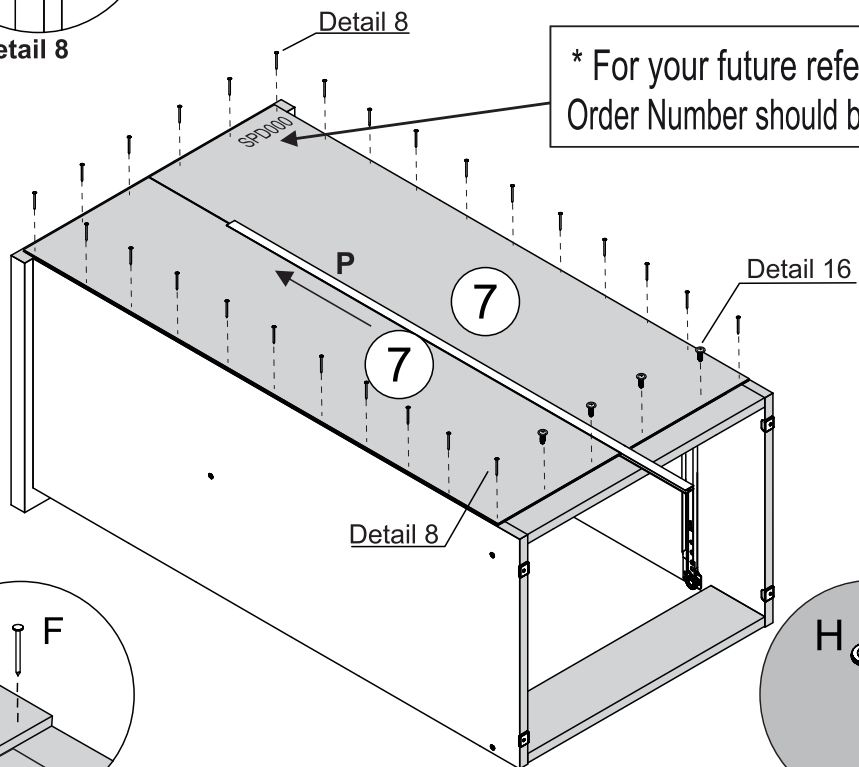
H  Ø3,5 x 12mm 04

P  01

TOOLS REQUIRED



* For your future reference
Order Number should be here

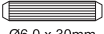
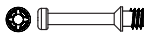



STEP 11

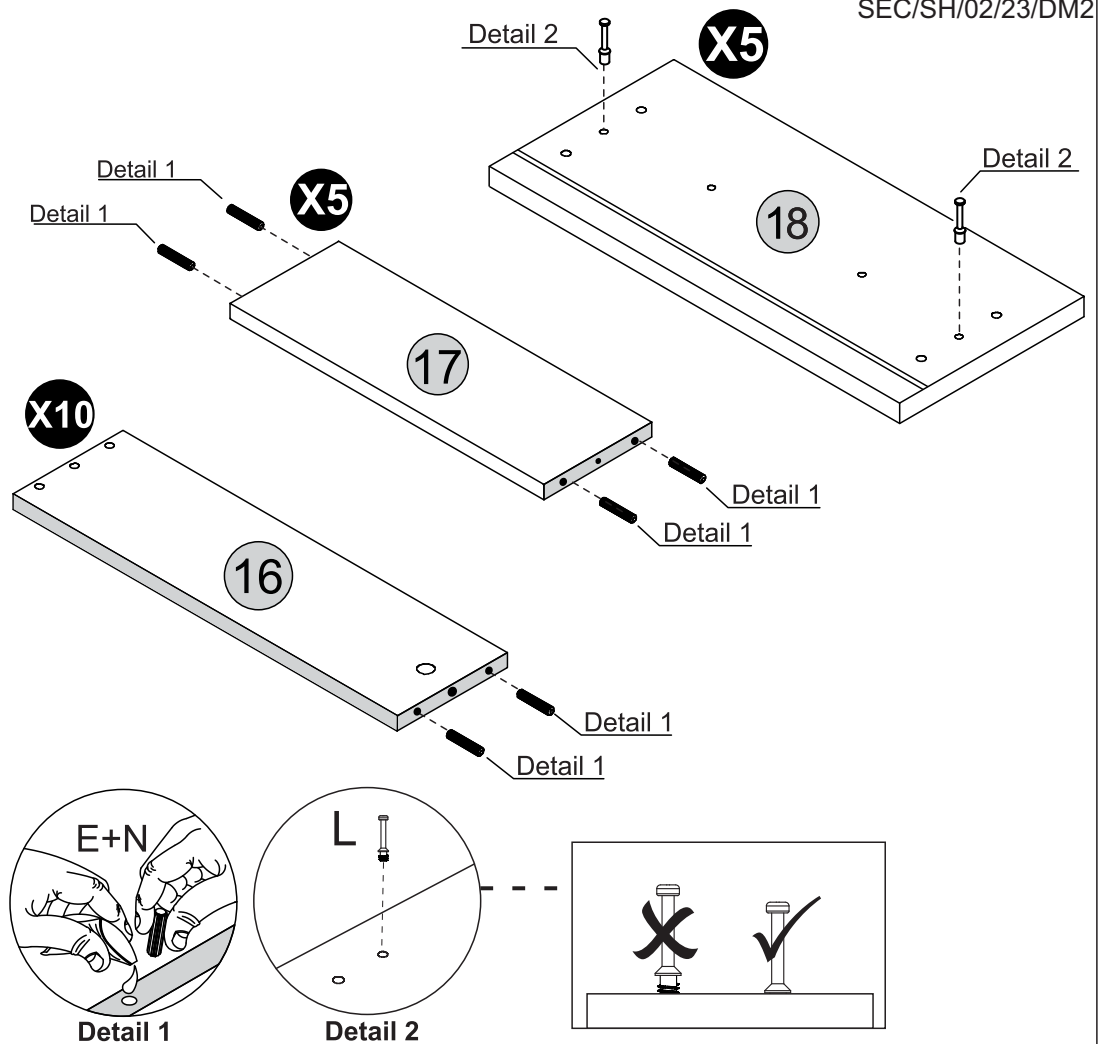
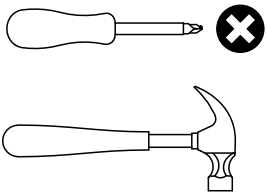
PARTS REQUIRED

16 - DRAWER SIDE	x10
17 - DRAWER BACK PANEL	x5
18 - DRAWER FRONT	x5

HARDWARE REQUIRED

E	 40 Ø6,0 x 30mm
L	 10
N	 01 GLUE

TOOLS REQUIRED




STEP 12

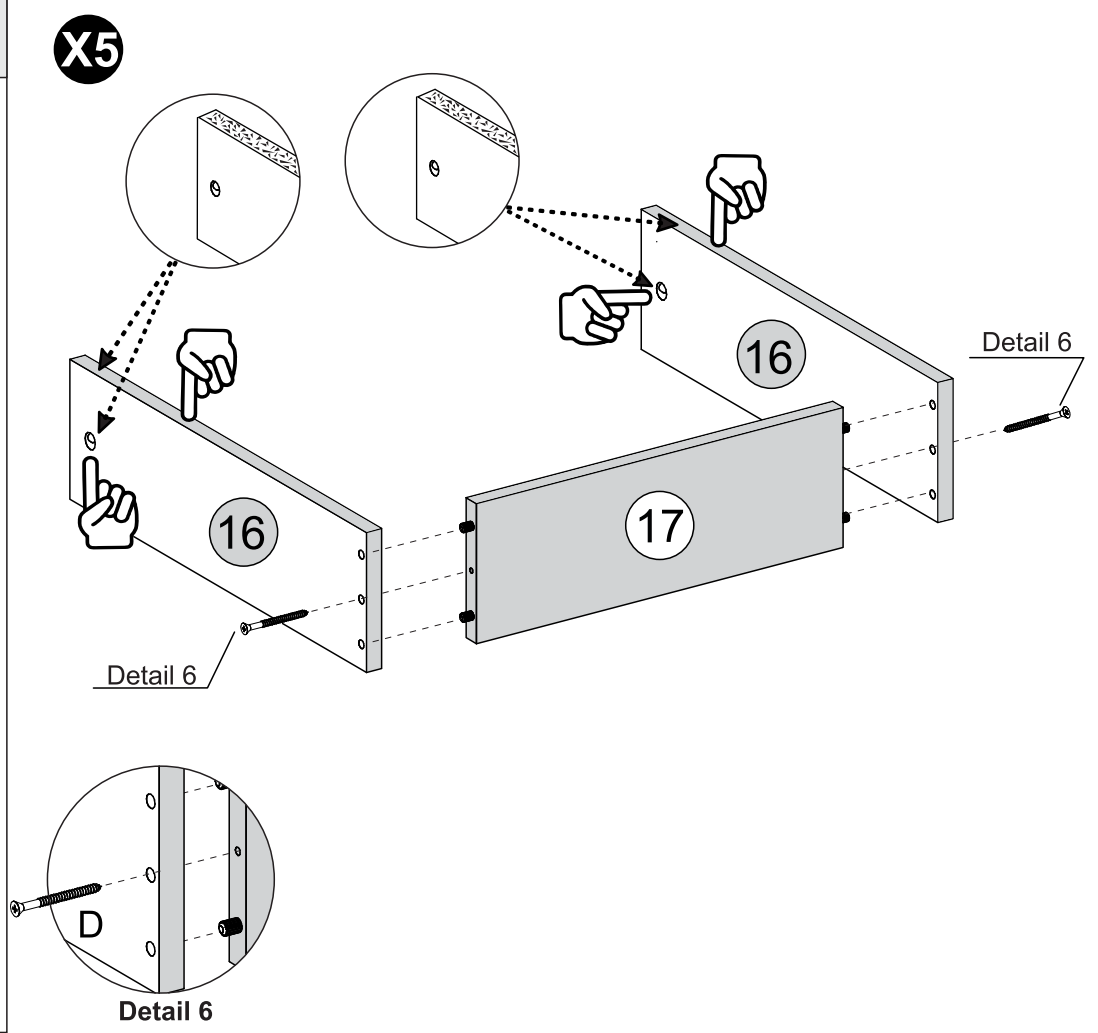
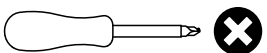
PARTS REQUIRED

16 - DRAWER SIDE	x10
17 - DRAWER BACK PANEL	x5

HARDWARE REQUIRED

D	 10 Ø4,0 x 45mm
---	---

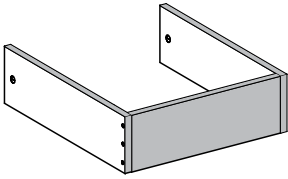
TOOLS REQUIRED



STEP 13

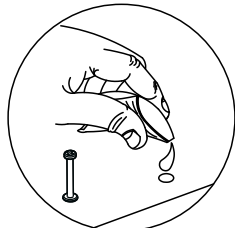
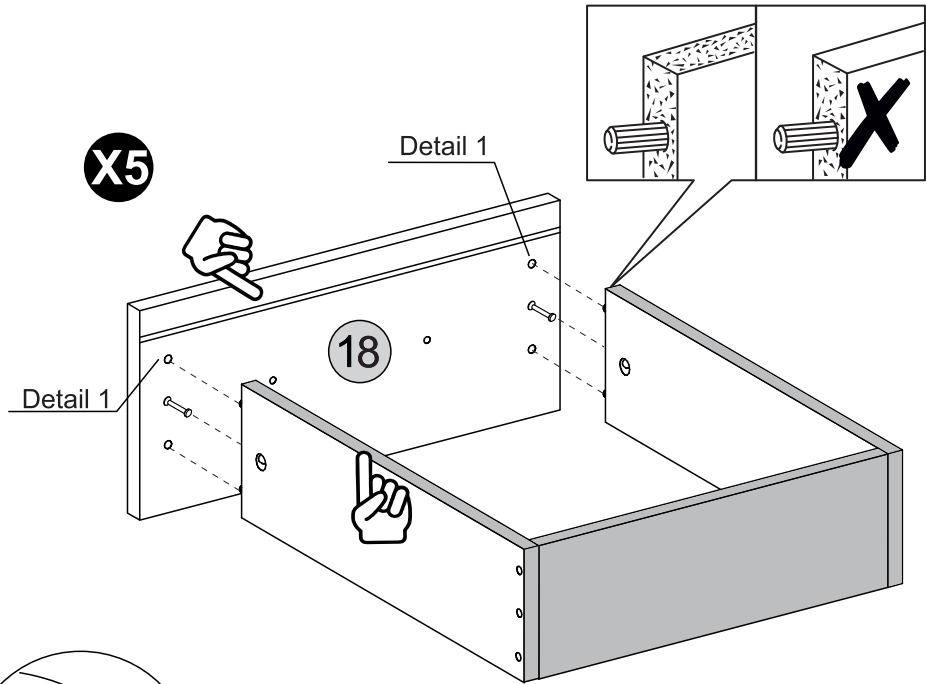
PARTS REQUIRED

18 - DRAWER FRONT x5



HARDWARE REQUIRED

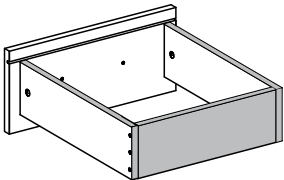
N  01



Detail 1

STEP 14

PARTS REQUIRED

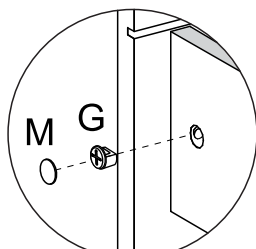
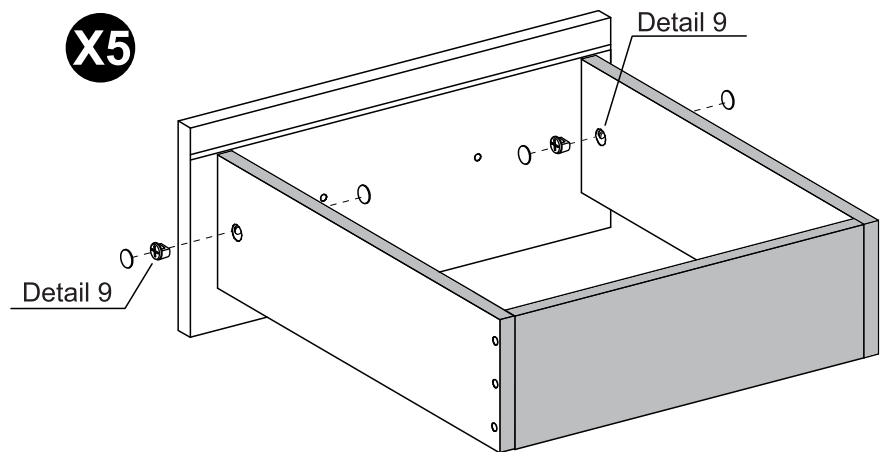
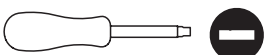


HARDWARE REQUIRED

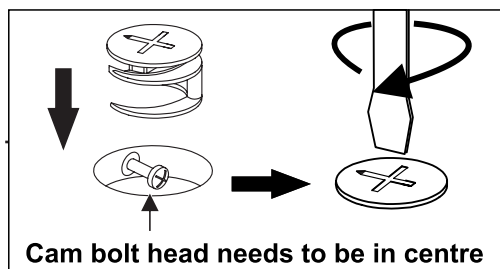
G  10

M  20

TOOLS REQUIRED



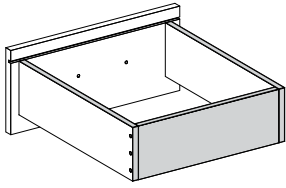
Detail 9



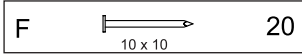
STEP 15

PARTS REQUIRED

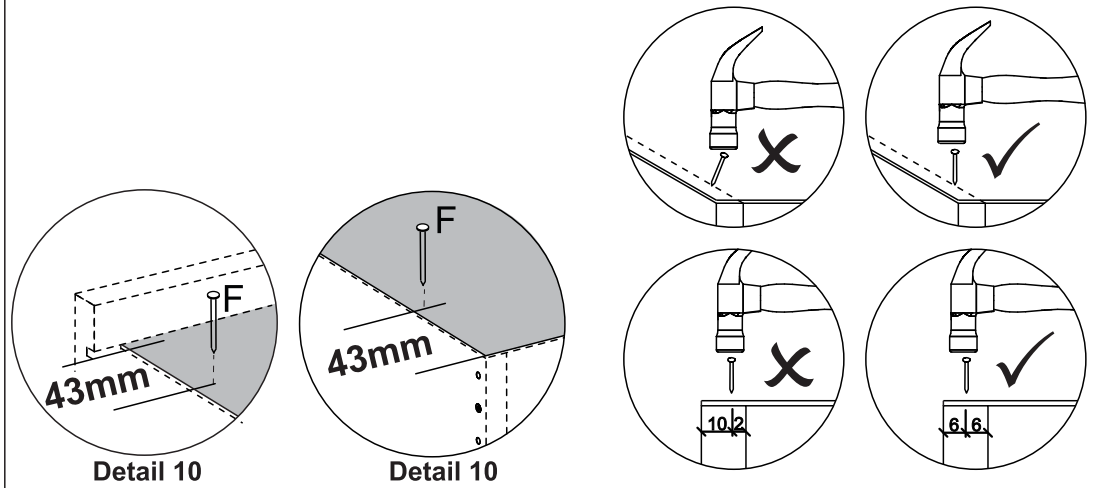
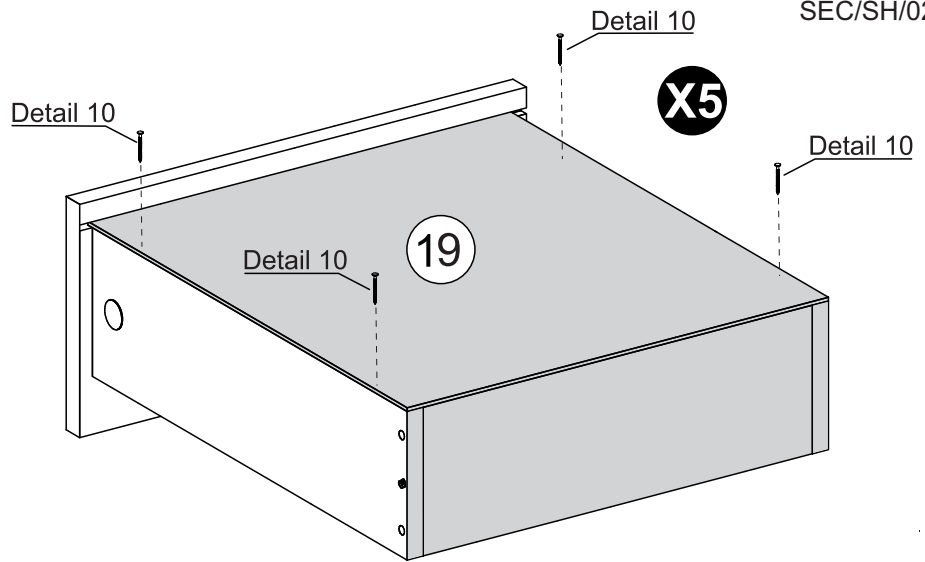
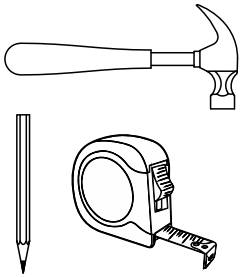
19 - DRAWER BOTTOM x5



HARDWARE REQUIRED

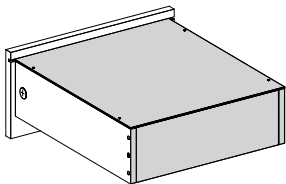


TOOLS REQUIRED

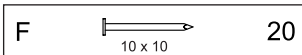


STEP 16

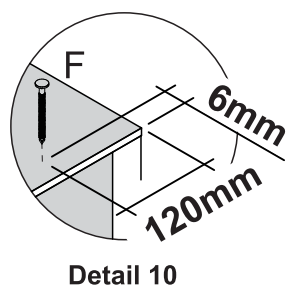
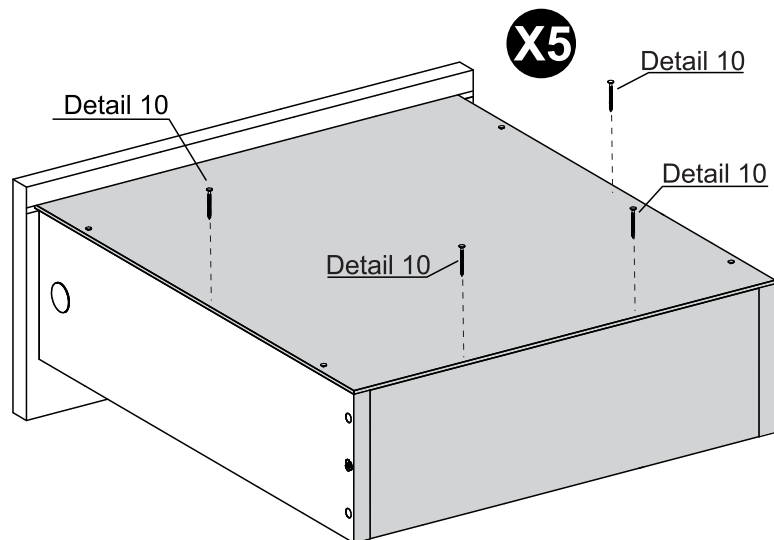
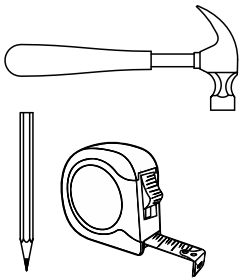
PARTS REQUIRED



HARDWARE REQUIRED

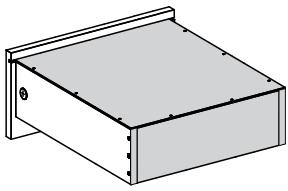


TOOLS REQUIRED

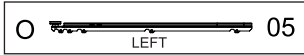
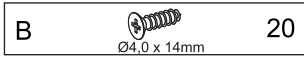


STEP 17

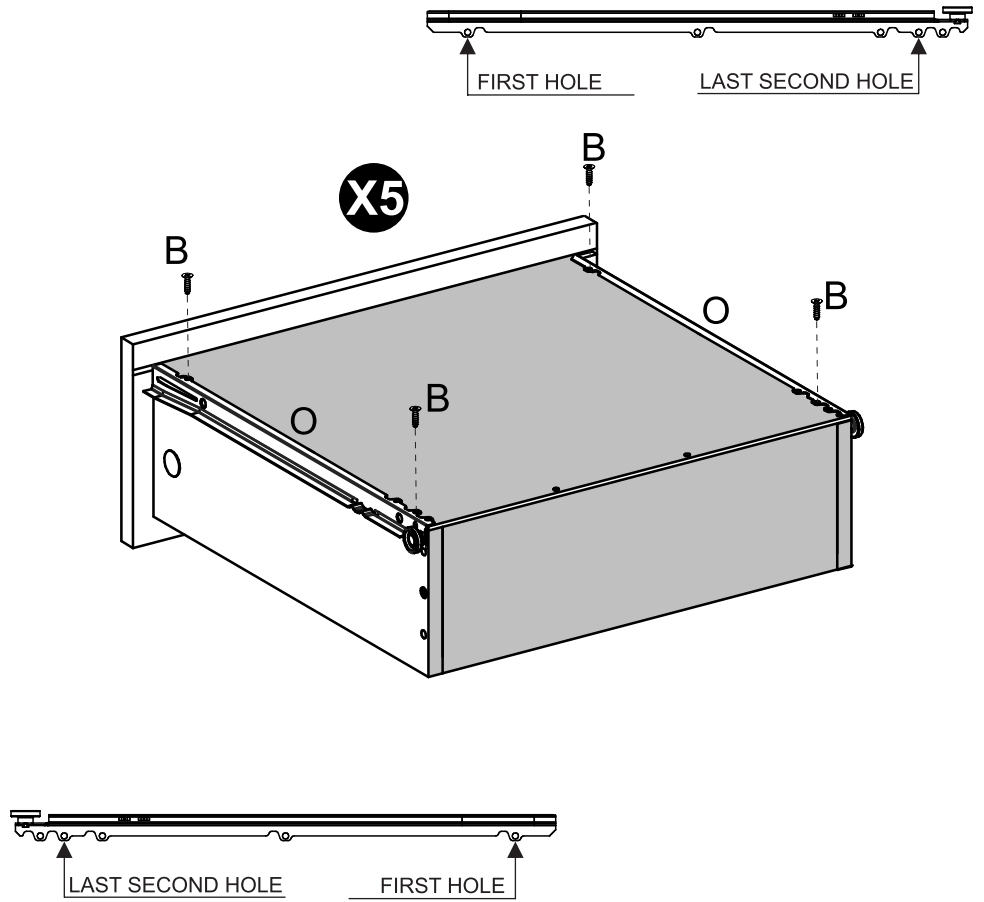
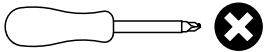
PARTS REQUIRED



HARDWARE REQUIRED

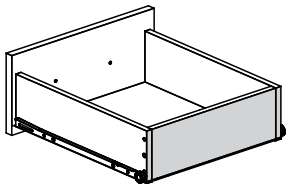


TOOLS REQUIRED

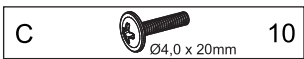


STEP 18

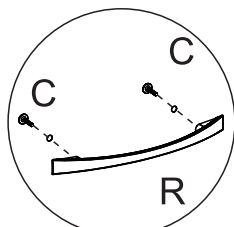
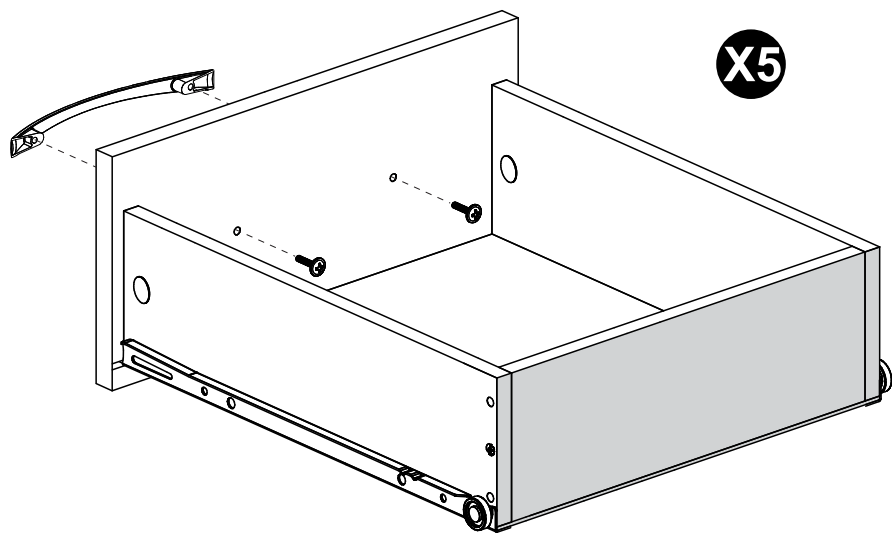
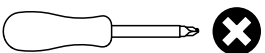
PARTS REQUIRED



HARDWARE REQUIRED



TOOLS REQUIRED



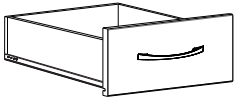
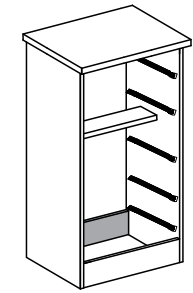
Detail 2

STEP 19

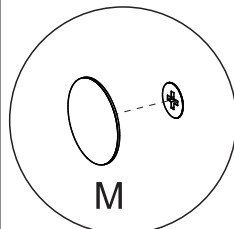


See the last page

TIP
 If desired, after assembly use an alcohol cleaner to erase the number printed on the parts.

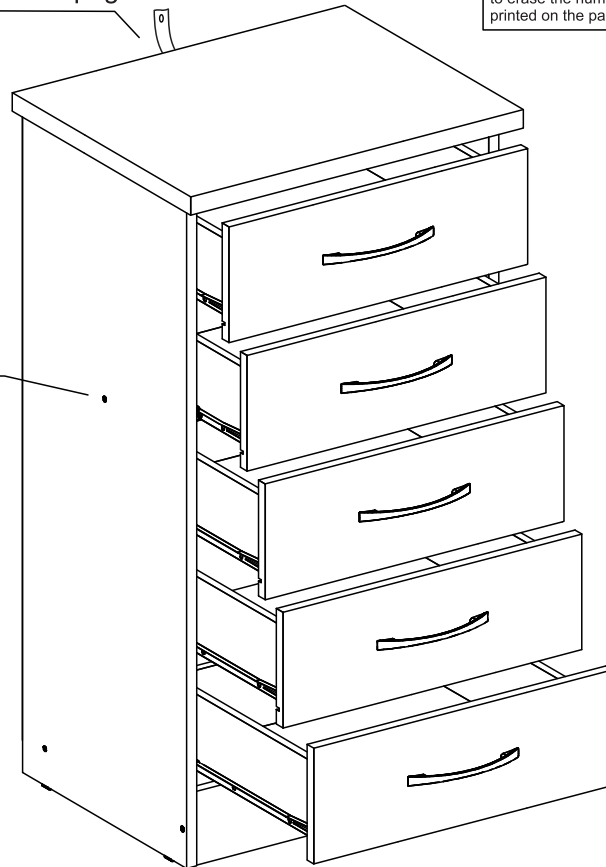


HARDWARE REQUIRED



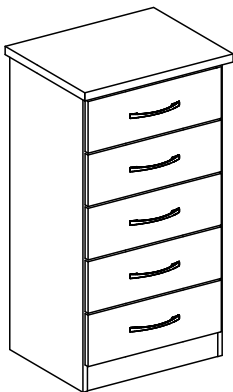
Detail 11

Detail 11

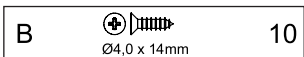


STEP 20

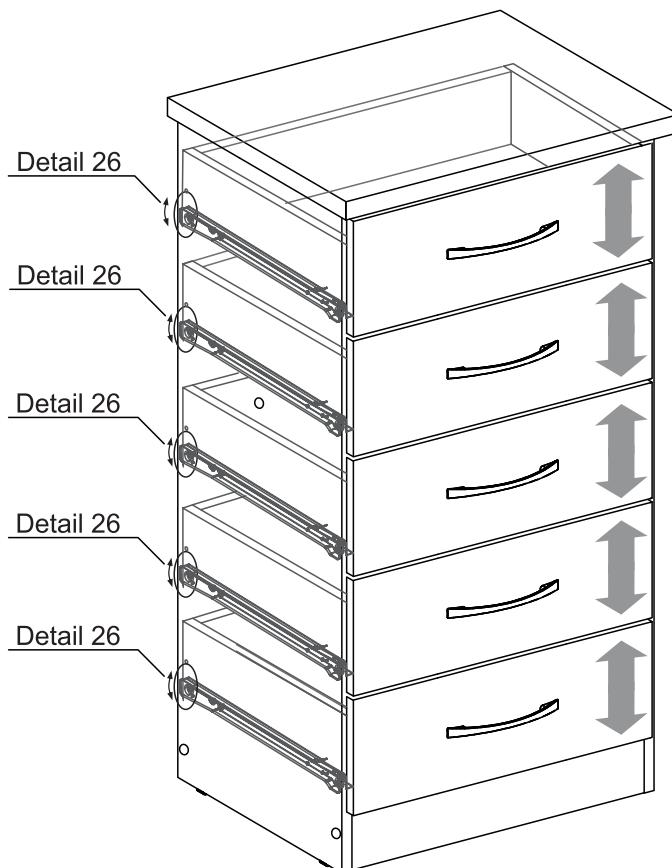
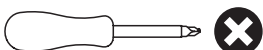
PARTS REQUIRED



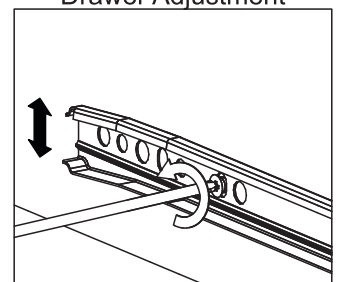
HARDWARE REQUIRED



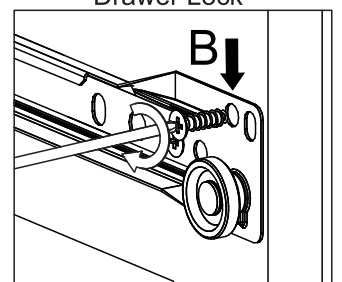
TOOLS REQUIRED



Drawer Adjustment



Drawer Lock



Detail 26

WARNING

Serious or fatal injuries can occur from furniture tipping over. To prevent the furniture from tipping over we recommend that it is permanently fixed to the wall.

Wall fixings are not supplied with this product as different wall materials require different types of fixing devices.

Please make sure you use fixings suitable for the walls in your home.

