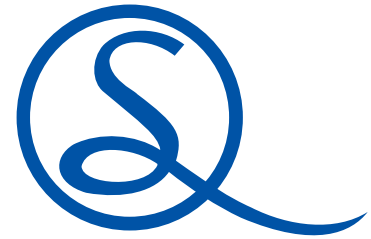
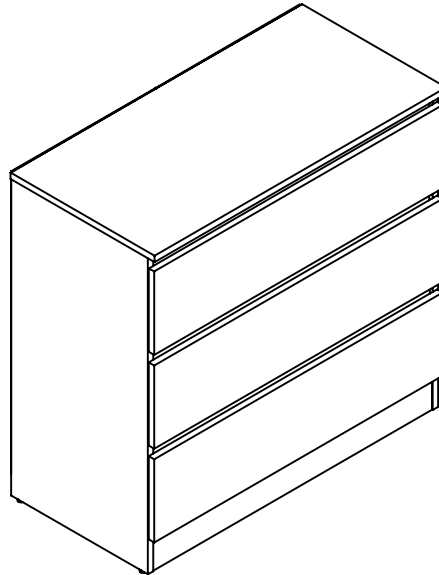


# WHITE MALVERN 3 DRAWER CHEST ASSEMBLY INSTRUCTIONS



## FOR DOMESTIC USE ONLY

### IMPORTANT

### PLEASE READ BEFORE YOU CONTINUE FURTHER

THE PRODUCT YOU HAVE PURCHASED WILL GIVE YOU MANY YEARS OF SERVICE IF YOU FOLLOW THE GUIDELINES FOR ITS SAFE ASSEMBLY AND PERIODIC MAINTENANCE AND CLEANING.

ASSEMBLE ON A SOFT CLEAN SURFACE.

DO NOT USE ANY TOOLS OTHER THAN THOSE SHOWN.

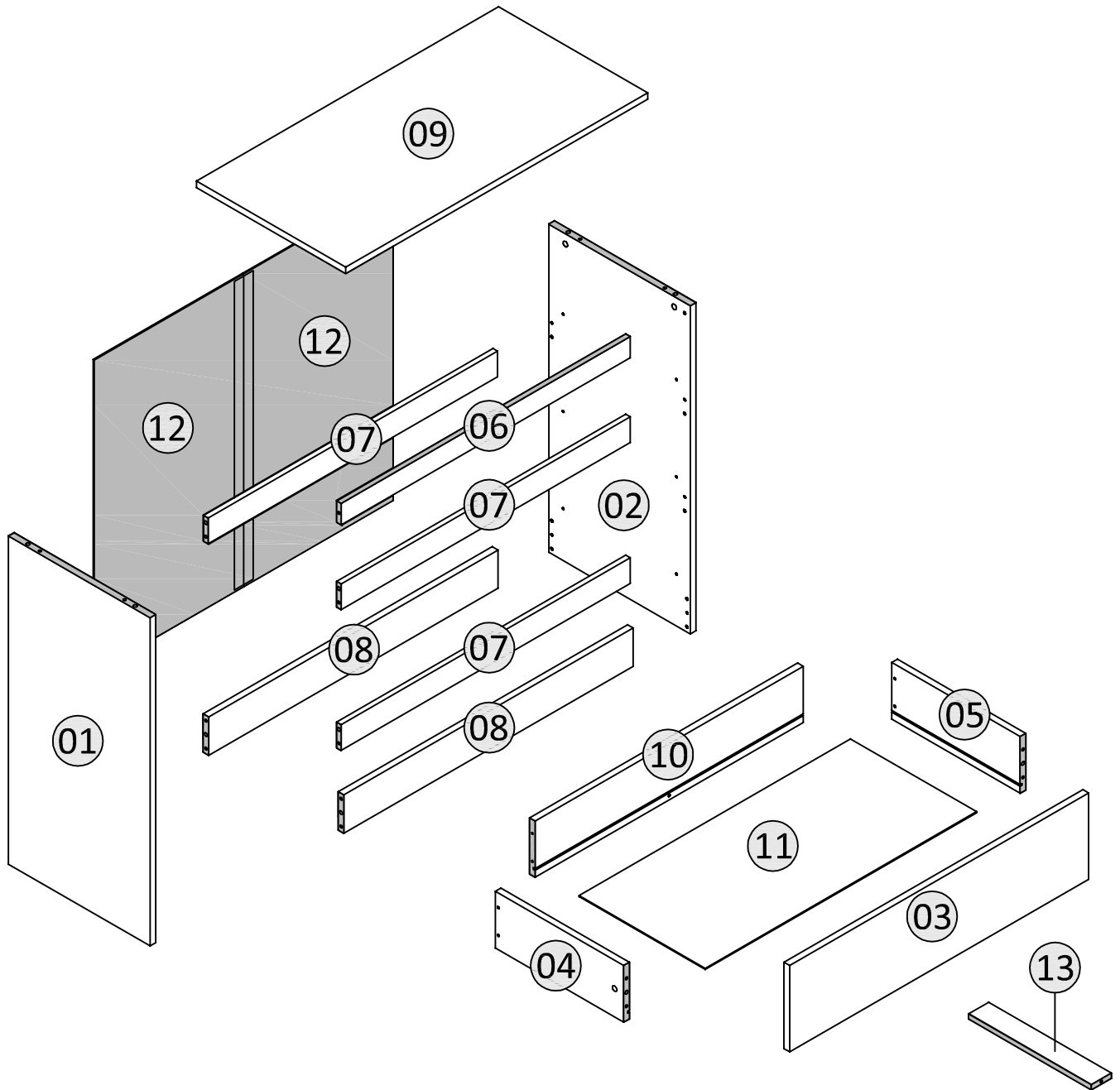
ANY SPANNERS OR ALLEN KEYS REQUIRED ARE INCLUDED WITH THE FITTING KIT.

DO NOT FOR ANY REASON USE A POWER TOOL TO ASSEMBLE THIS PRODUCT. ITS USE WILL INVALIDATE ANY CLAIM YOU MAY HAVE AND COULD MAKE THIS PRODUCT UNSAFE.

DEPENDING ON THE AMOUNT OF USE THIS PRODUCT RECEIVES. IT MAY BE NECESSARY TO TIGHTEN UP THE FIXINGS FROM TIME TO TIME. THIS IS COMPLETELY NORMAL FOR ANY FLAT PACK FURNITURE. DO NOT OVERTIGHTEN FIXINGS.

FOR CLEANING, YOU MAY USE A DAMP CLOTH (NOT WET). DO NOT USE POLISH, DETERGENT OR CHEMICAL CLEANERS.

THIS SURFACE OF THIS ITEM IS NOT HEAT RESISTANT. ALWAYS USE A PLACE MAT UNDER HOT OR COLD ITEMS TO PREVENT MARKING.



## PART LIST

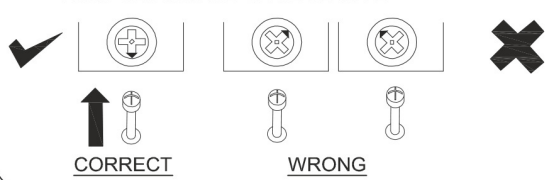
<b>Part Number</b>	<b>Part Code</b>	<b>Part Description</b>	<b>Quantity</b>	<b>Carton</b>
01	S100-102-136-TA1-01	Left Panel	1	1/1
02	S100-102-136-TA1-02	Right Panel	1	1/1
03	S100-102-136-TA1-03	Drawer Front	3	1/1
04	S100-102-136-TA1-04	Drawer Left Panel	3	1/1
05	S100-102-136-TA1-05	Drawer Right Panel	3	1/1
06	S100-102-136-TA1-06	Top Support Panel	1	1/1
07	S100-102-136-TA1-07	Centre Support Panel	3	1/1
08	S100-102-136-TA1-08	Bottom Support Panel	2	1/1
09	S100-102-136-TA1-09	Top Panel	1	1/1
10	S100-102-136-TA1-10	Drawer Back Panel	3	1/1
11	S100-102-136-TA1-11	Drawer Bottom Panel	3	1/1
12	S100-102-136-TA1-12	Back Panel	2	1/1
13	S100-102-136-TA1-13	Drawer Support Panel	3	1/1

# HARDWARE LIST

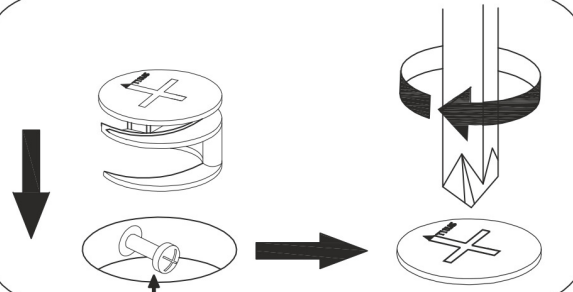
No.	Part Name		Qty
A	5575 Cam Nut		20
B	Cam Bolt		20
C	M6 x 30mm Wood Dowel		35
D	38mm Chipboard Screw		15
E	14mm Chipboard Screw		34
F	14" Drawer Slide		3 sets
G	PVC L Bracket		1
H	Table Pin		4
J	Steel Nail		40
K	Safety Pack (4 x 20mm x 1)		1

## TIPS FOR FITTING CAM-LOCKS

**WHEN FITTING THE CAM-LOCK**  
ENSURE STARTING POSITION IS CORRECT  
BEFORE YOU INSERT CONNECTING CAM BOLT  
TURN CLOCKWISE UNTIL SECURE



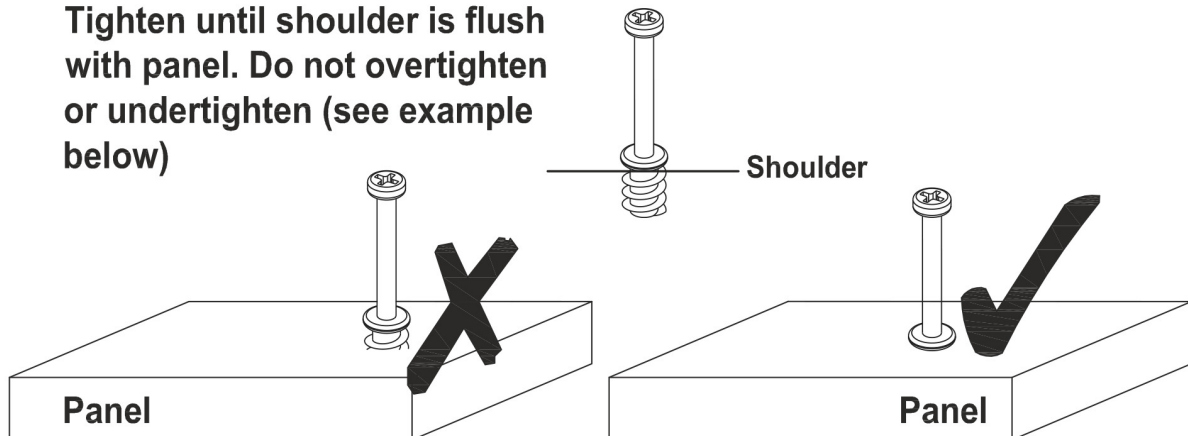
**CORRECT**      **WRONG**



Cam bolt head needs to be in centre

### CAMBOLT

Tighten until shoulder is flush with panel. Do not overtighten or undertighten (see example below)



Panel      Panel

# STEP 1

## PARTS REQUIRED

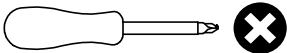
01- LEFT PANEL x1

## HARDWARE REQUIRED

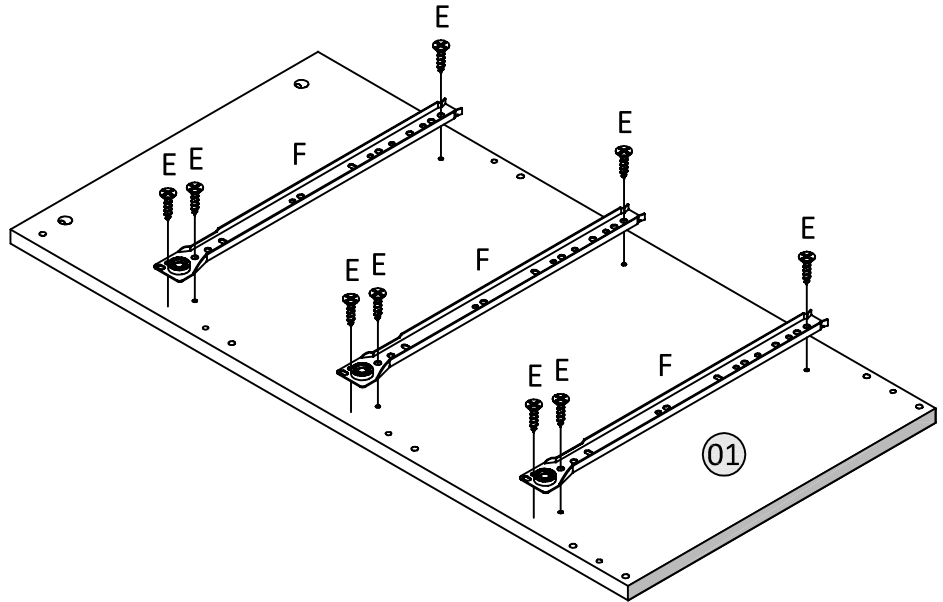
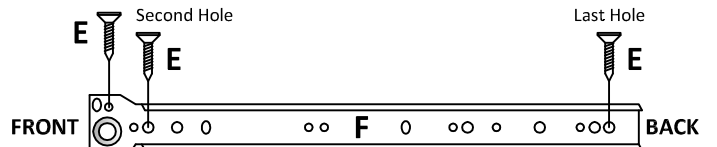
E  09

F  03

## TOOLS REQUIRED



To Assembly the Drawer Slide, Please Follow Step as Below




# STEP 2

## PARTS REQUIRED

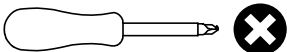
02- RIGHT PANEL x1

## HARDWARE REQUIRED

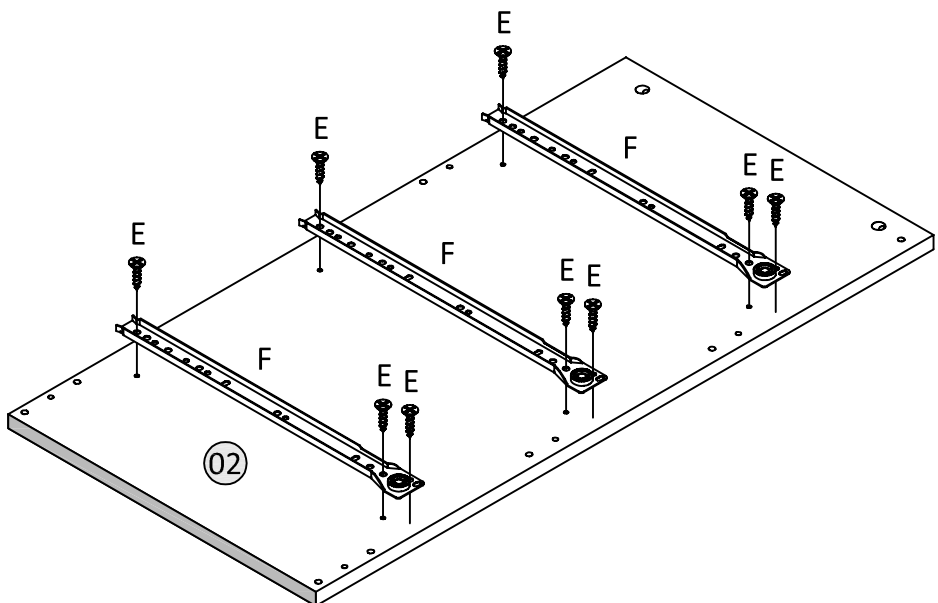
E  09

F  03

## TOOLS REQUIRED



To Assembly the Drawer Slide, Please Follow Step as Below



# STEP 3

## PARTS REQUIRED


01- LEFT PANEL x1

02- RIGHT PANEL x1

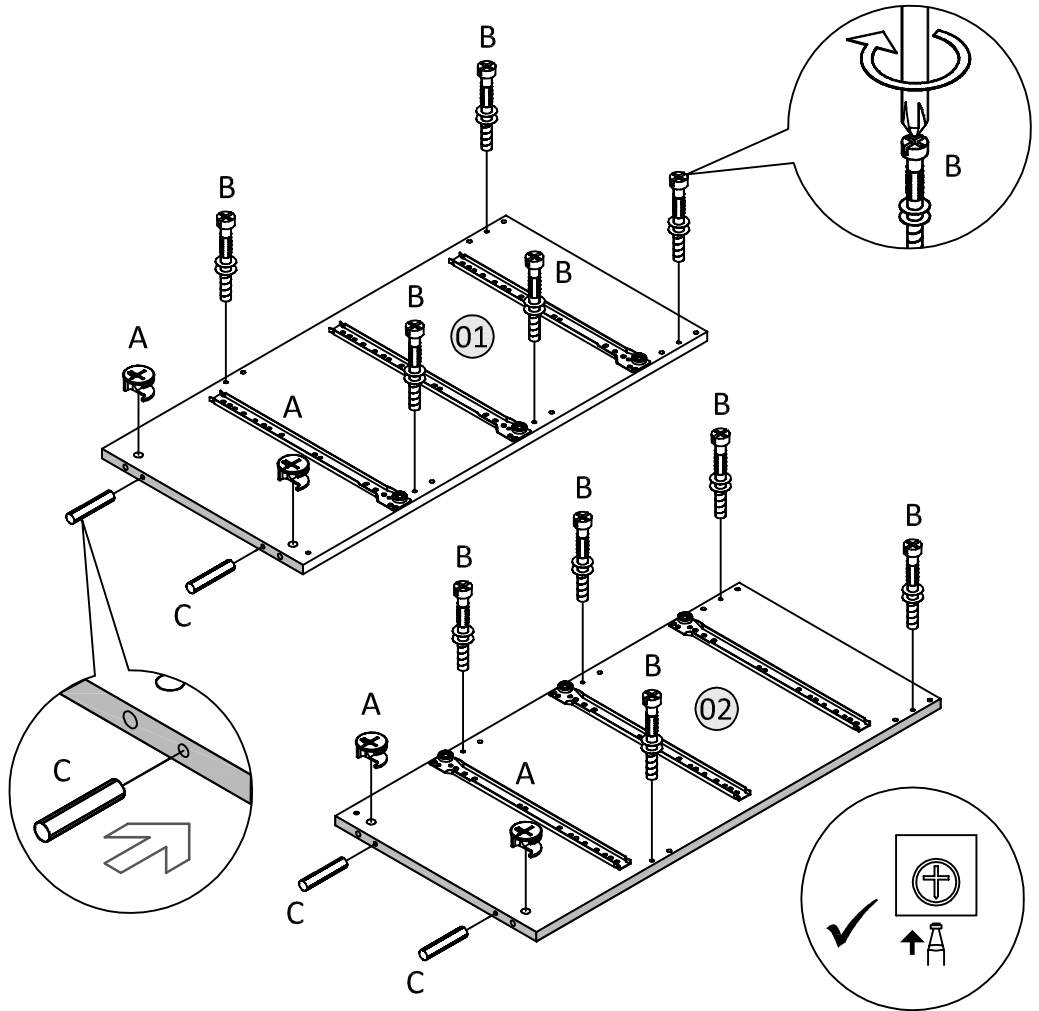
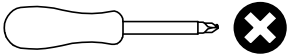
## HARDWARE REQUIRED

A  04

B  10

C  04

## TOOLS REQUIRED



# STEP 4

## PARTS REQUIRED

06- TOP SUPPORT PANEL x1

07- CENTRE SUPPORT PANEL x3


08- BOTTOM SUPPORT PANEL x2

09- TOP PANEL x1

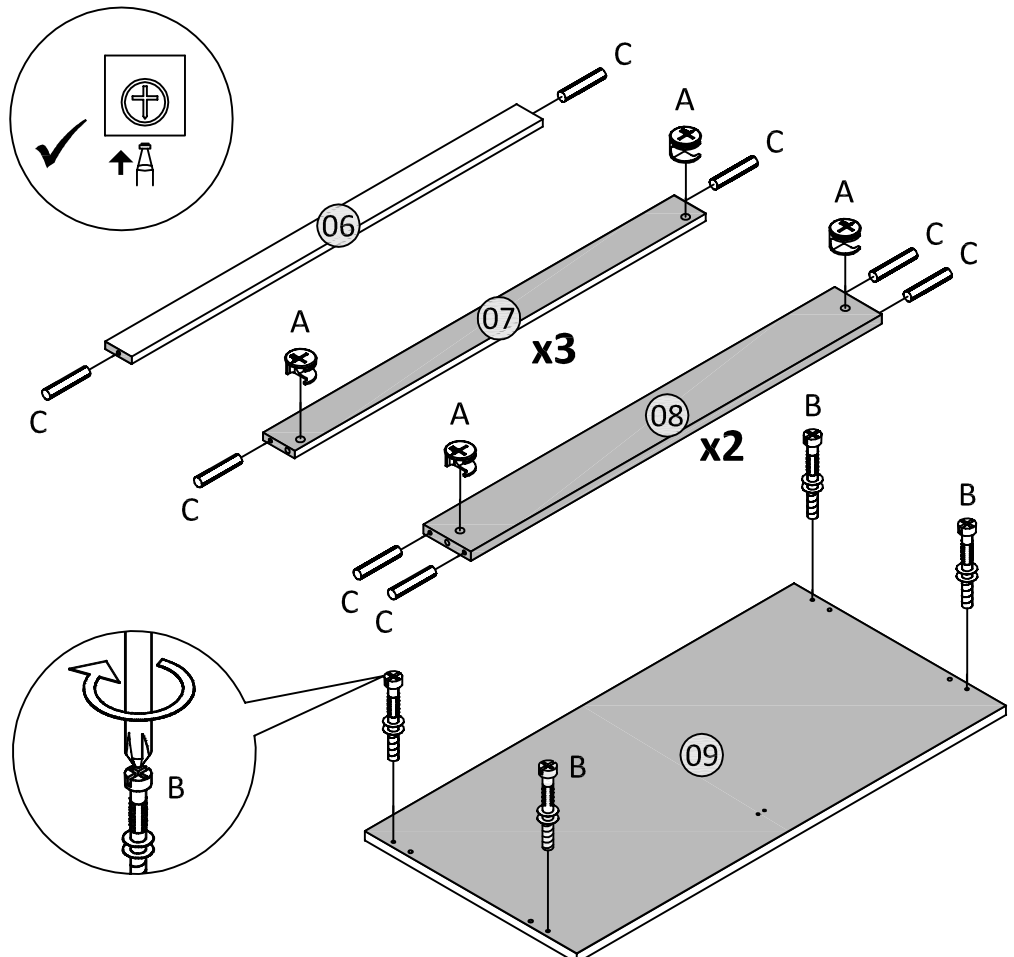
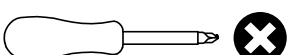
## HARDWARE REQUIRED

A  10

B  04

C  16

## TOOLS REQUIRED



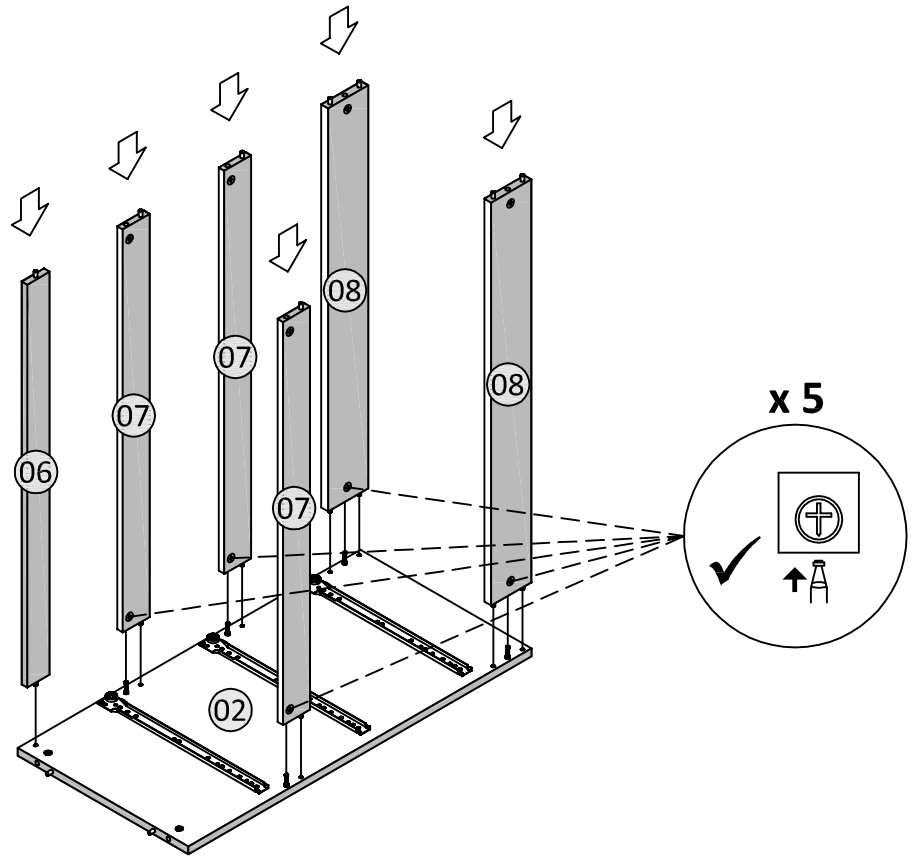
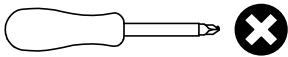
# STEP 5

## PARTS REQUIRED

02- RIGHT PANEL	x1
06- TOP SUPPORT PANEL	x1
07- CENTRE SUPPORT PANEL	x3
08- BOTTOM SUPPORT PANEL	x2

## HARDWARE REQUIRED

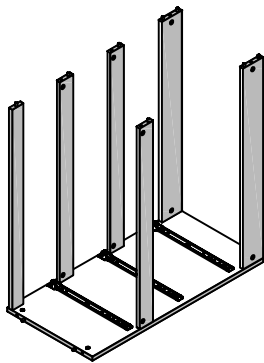
## TOOLS REQUIRED



# STEP 6

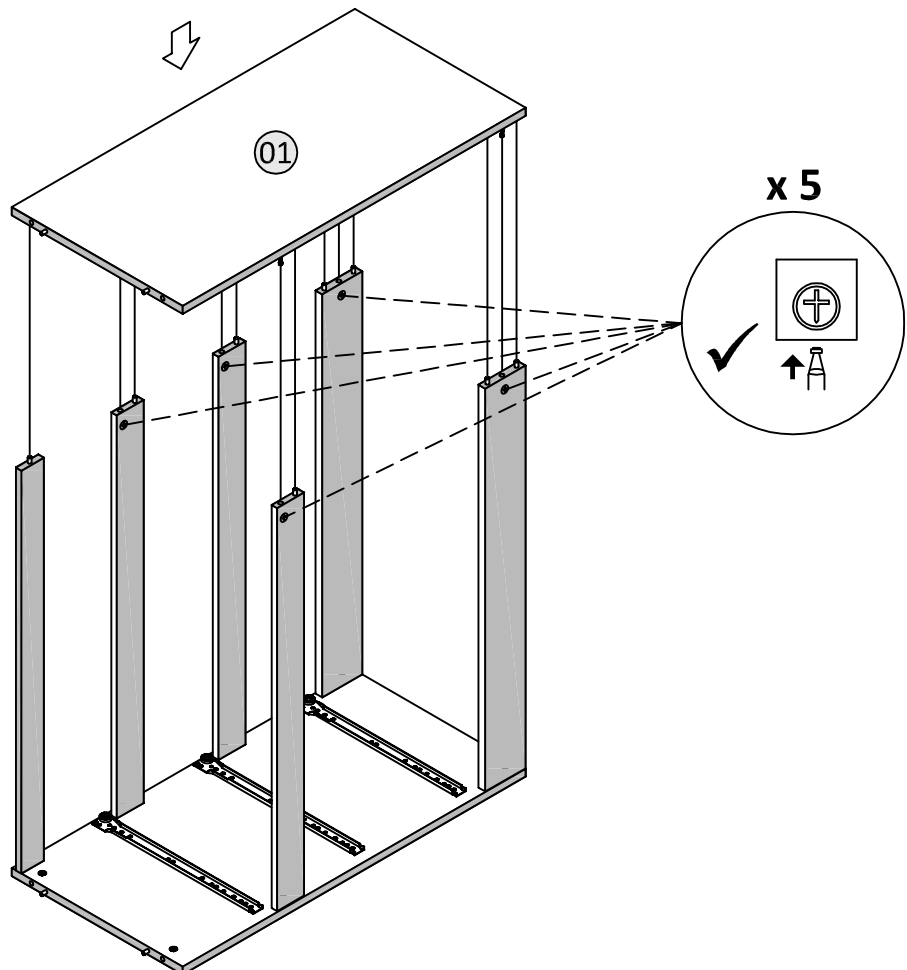
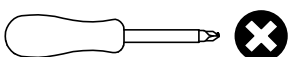
## PARTS REQUIRED

01- LEFT PANEL	x1
----------------	----



## HARDWARE REQUIRED

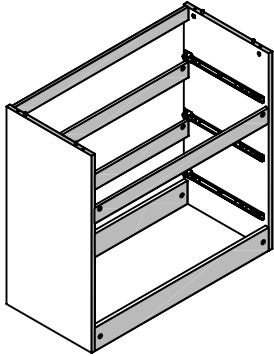
## TOOLS REQUIRED



# STEP 7

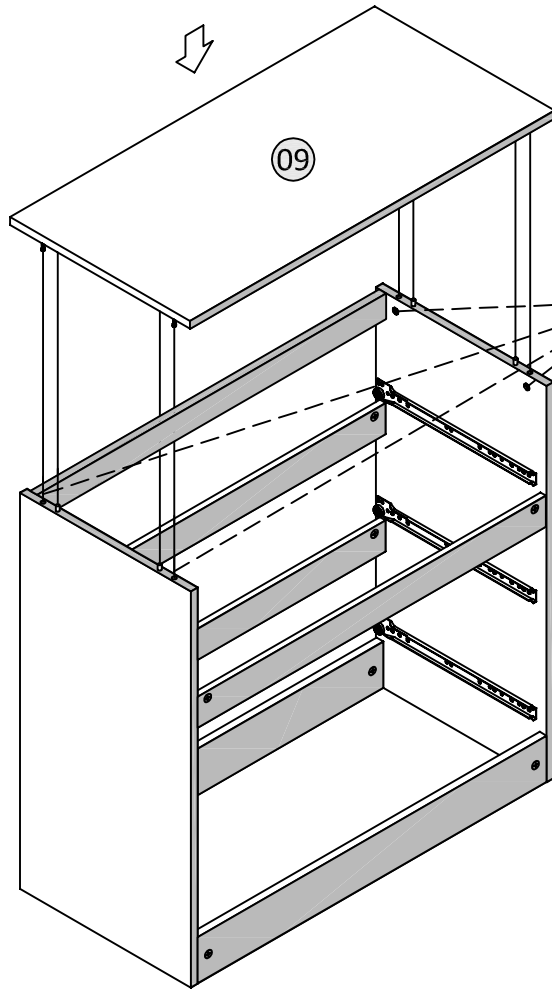
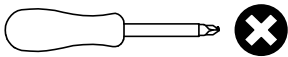
## PARTS REQUIRED

09- TOP PANEL x1



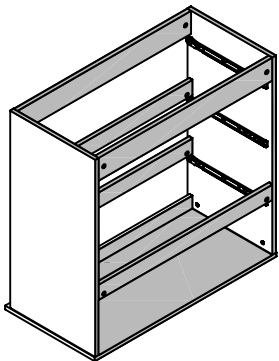
## HARDWARE REQUIRED

## TOOLS REQUIRED



# STEP 8

## PARTS REQUIRED

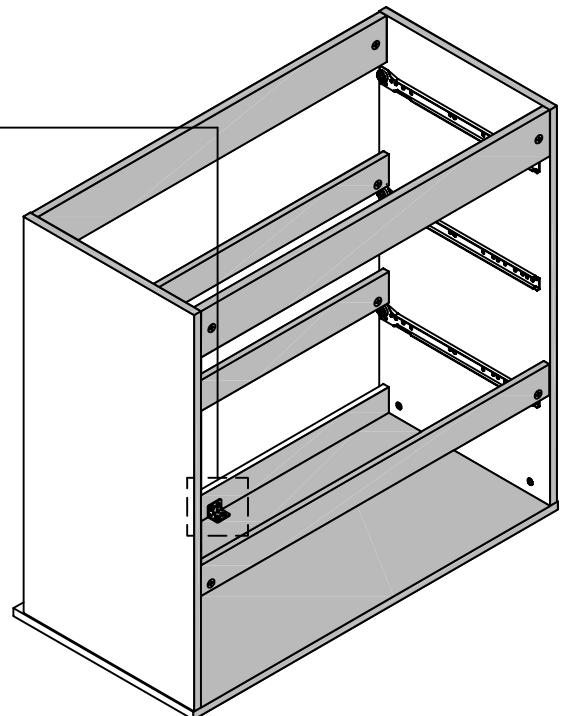
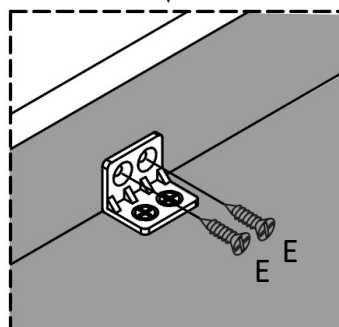
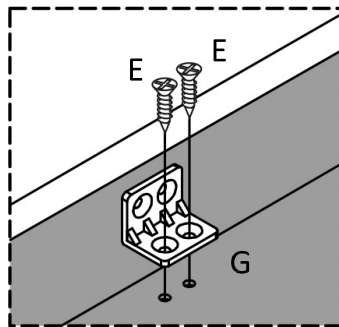
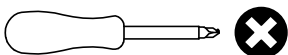


## HARDWARE REQUIRED

E  04

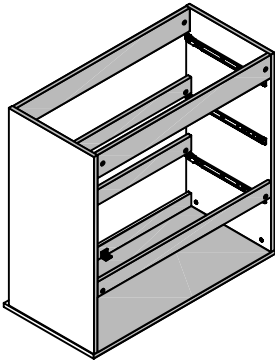
G  01

## TOOLS REQUIRED

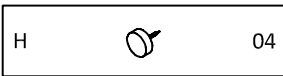


# STEP 9

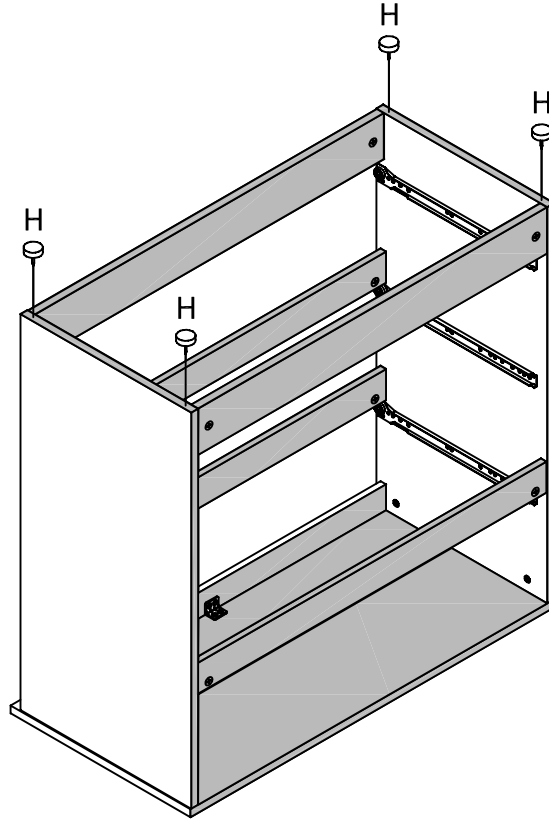
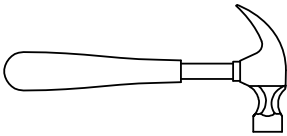
**PARTS REQUIRED**



**HARDWARE REQUIRED**

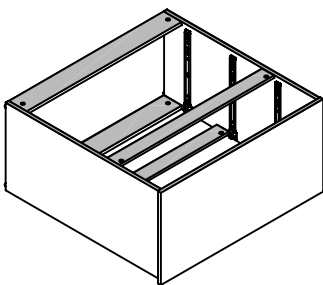
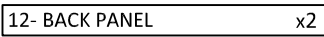


**TOOLS REQUIRED**

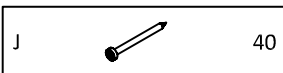


# STEP 10

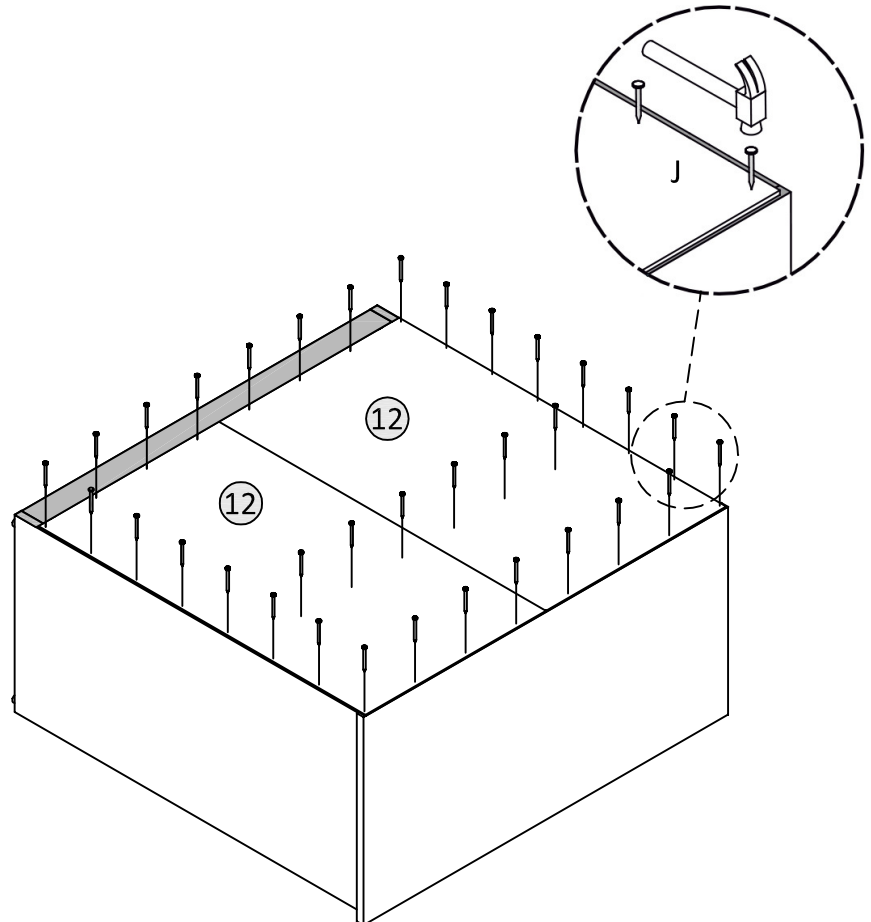
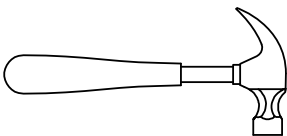
**PARTS REQUIRED**



**HARDWARE REQUIRED**



**TOOLS REQUIRED**





# STEP 11


## PARTS REQUIRED

03- DRAWER FRONT	x3
04- DRAWER LEFT PANEL	x3
05- DRAWER RIGHT PANEL	x3
13- DRAWER SUPPORT PANEL	x3

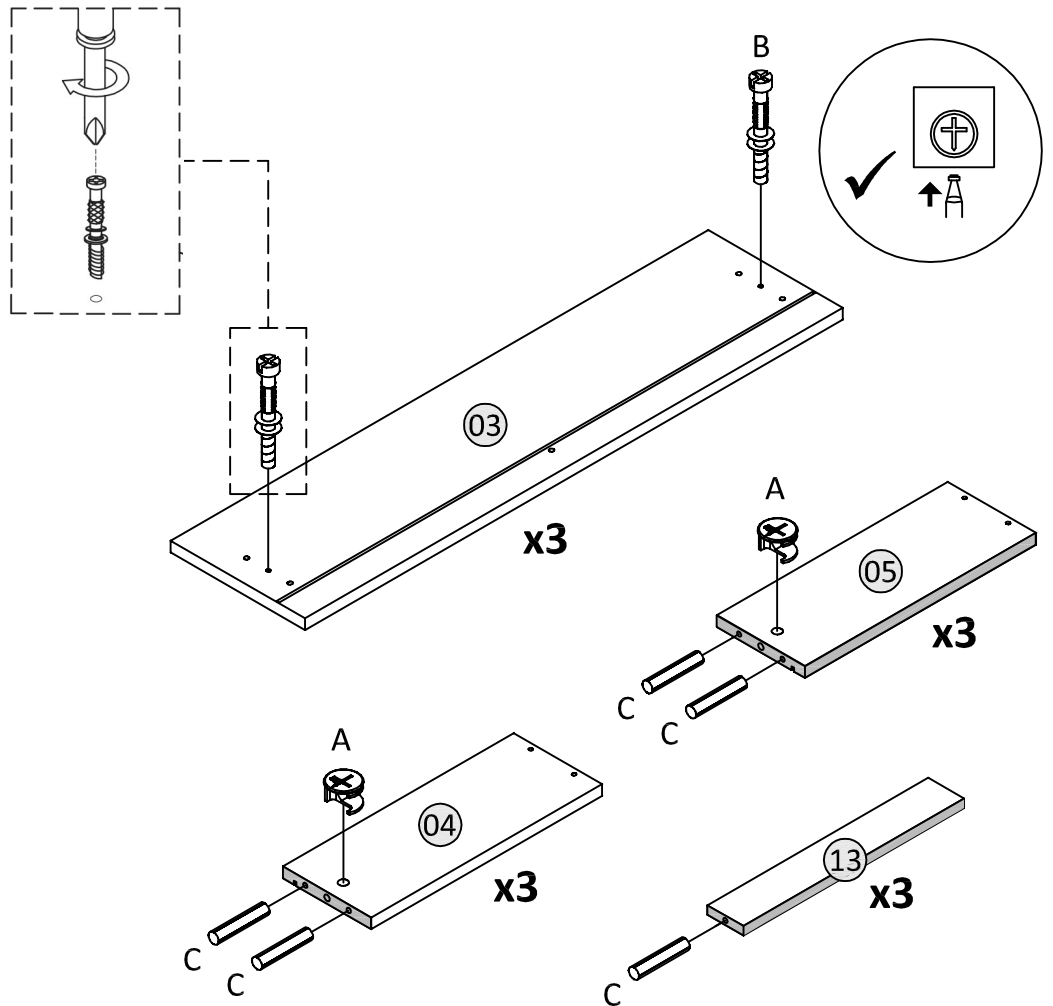
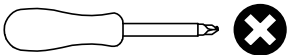
## HARDWARE REQUIRED

A		06
---	---	----

B		06
---	---	----

C		15
---	---	----

## TOOLS REQUIRED




# STEP 12

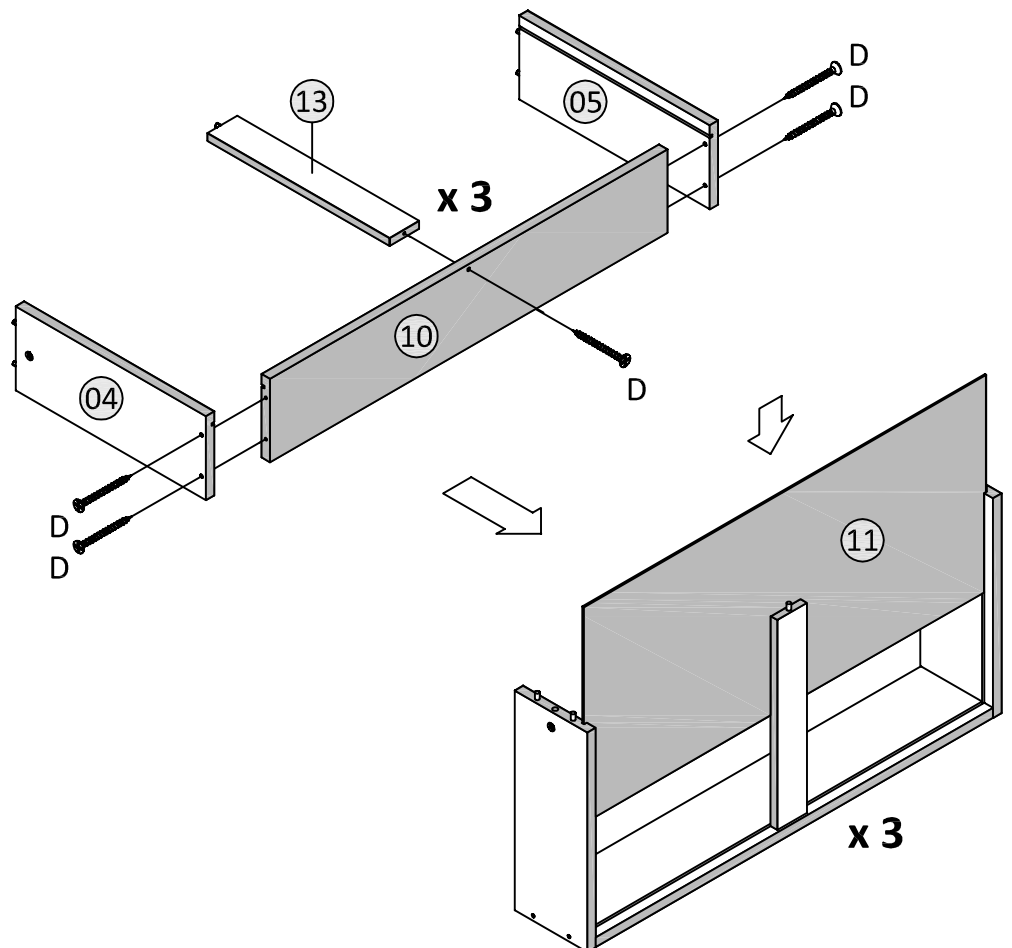
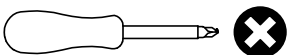
## PARTS REQUIRED

04- DRAWER LEFT PANEL	x3
05- DRAWER RIGHT PANEL	x3
10- DRAWER BACK PANEL	x3
11- DRAWER BOTTOM PANEL	x3
13- DRAWER SUPPORT PANEL	x3

## HARDWARE REQUIRED

D		15
---	---	----

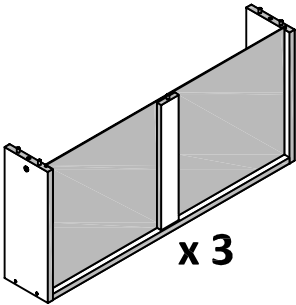
## TOOLS REQUIRED



# STEP 13


## PARTS REQUIRED

03- DRAWER FRONT x3

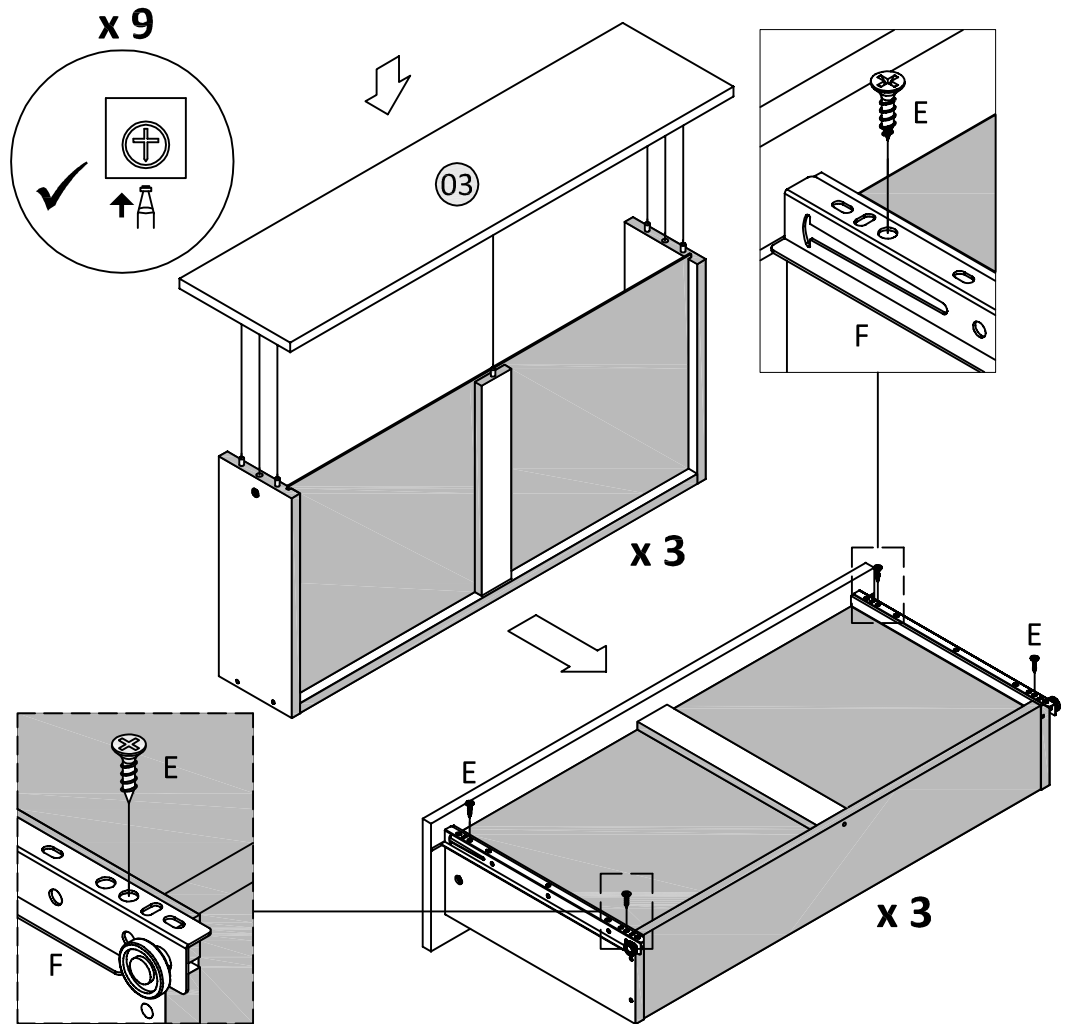
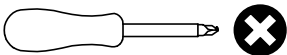


## HARDWARE REQUIRED

E  12

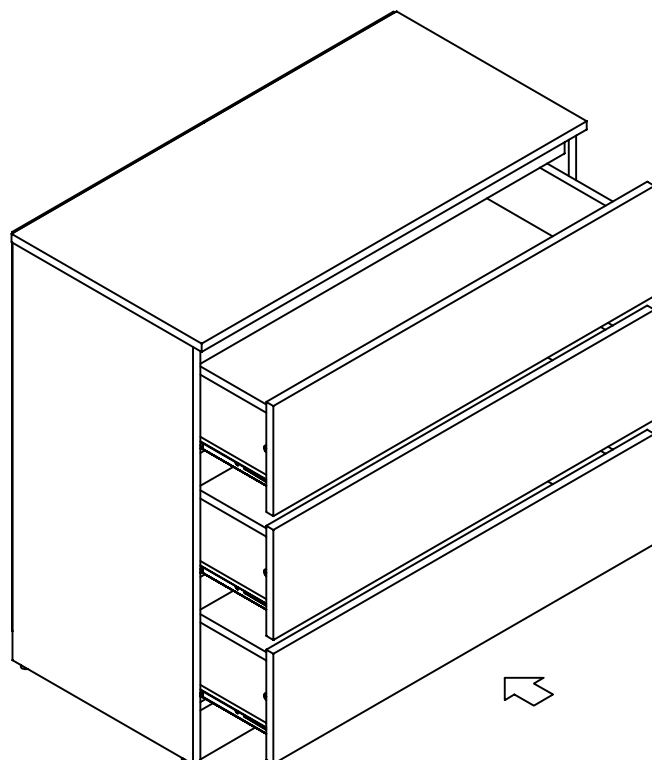
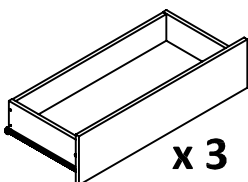
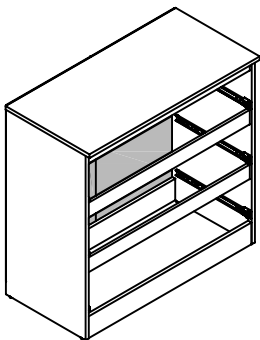
F  03

## TOOLS REQUIRED



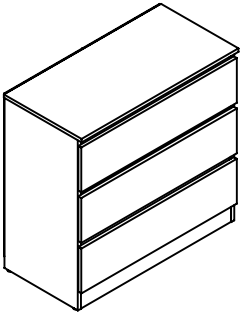
# STEP 14

## PARTS REQUIRED



## STEP 15

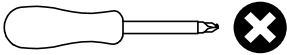
### PARTS REQUIRED



### HARDWARE REQUIRED



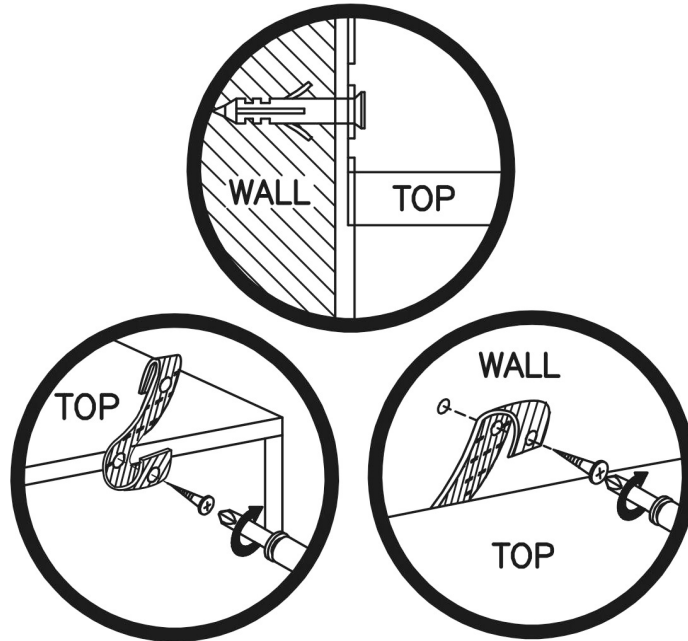
### TOOLS REQUIRED



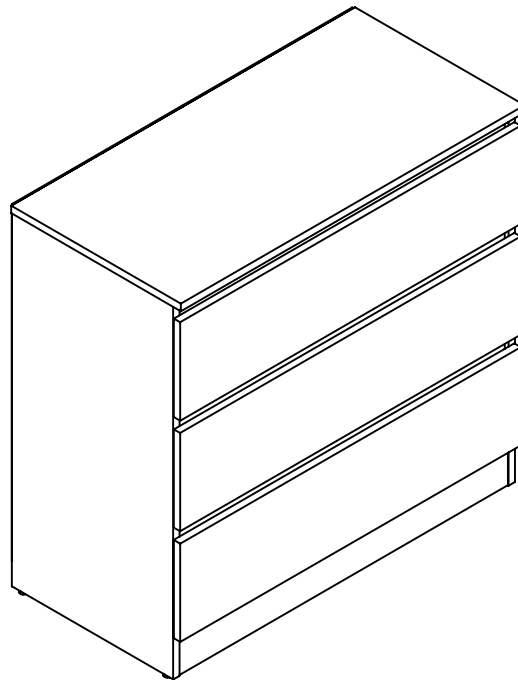
## WARNING

**Serious or fatal injuries can occur from furniture tipping over. To prevent the furniture from tipping over we recommend that it is permanently fixed to the wall.**

Wall fixings are not supplied with this product as different wall materials require different types of fixing devices. Please make sure you use fixings suitable for the walls in your home.



## STEP 16



# FINISH