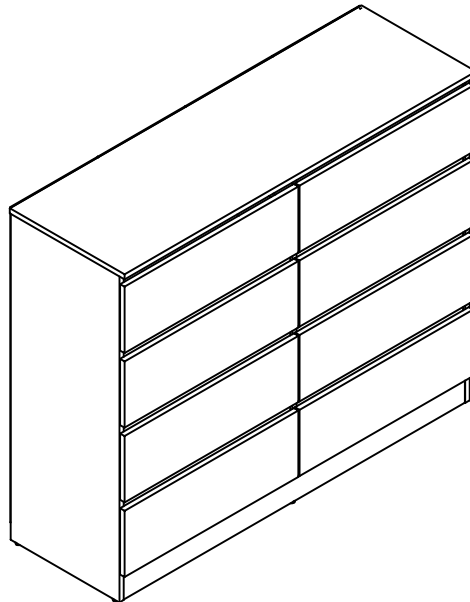


GREY MALVERN 8 DRAWER CHEST ASSEMBLY INSTRUCTIONS



FOR DOMESTIC USE ONLY
IMPORTANT
PLEASE READ BEFORE YOU CONTINUE FURTHER

THE PRODUCT YOU HAVE PURCHASED WILL GIVE YOU MANY YEARS OF SERVICE IF YOU FOLLOW THE GUIDELINES FOR ITS SAFE ASSEMBLY AND PERIODIC MAINTENANCE AND CLEANING.

ASSEMBLE ON A SOFT CLEAN SURFACE.

DO NOT USE ANY TOOLS OTHER THAN THOSE SHOWN.

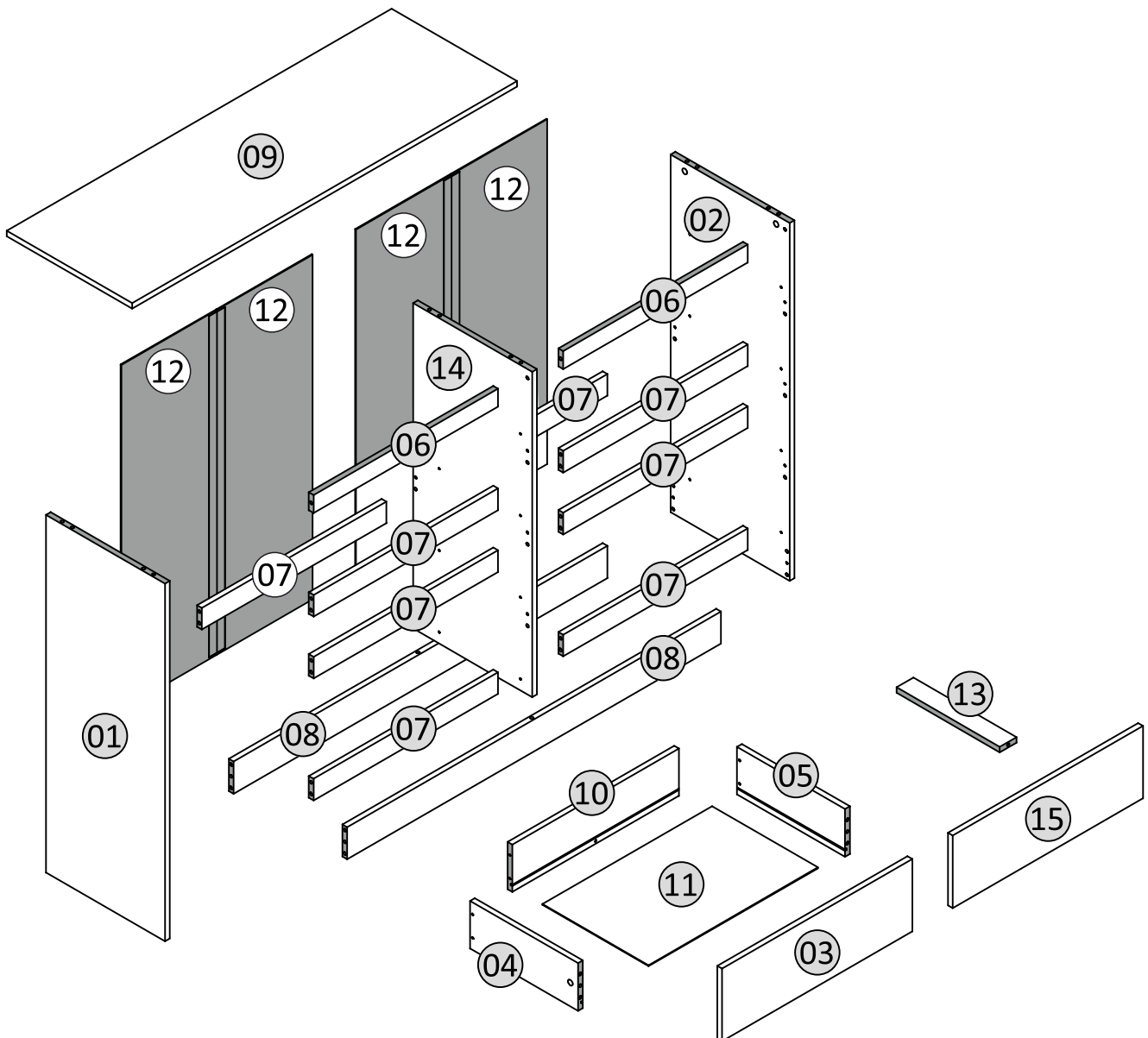
ANY SPANNERS OR ALLEN KEYS REQUIRED ARE INCLUDED WITH THE FITTING KIT.

DO NOT FOR ANY REASON USE A POWER TOOL TO ASSEMBLE THIS PRODUCT. ITS USE WILL INVALIDATE ANY CLAIM YOU MAY HAVE AND COULD MAKE THIS PRODUCT UNSAFE.

DEPENDING ON THE AMOUNT OF USE THIS PRODUCT RECEIVES. IT MAY BE NECESSARY TO TIGHTEN UP THE FIXINGS FROM TIME TO TIME. THIS IS COMPLETELY NORMAL FOR ANY FLAT PACK FURNITURE. DO NOT OVERTIGHTEN FIXINGS.

FOR CLEANING, YOU MAY USE A DAMP CLOTH (NOT WET). DO NOT USE POLISH, DETERGENT OR CHEMICAL CLEANERS.












THIS SURFACE OF THIS ITEM IS NOT HEAT RESISTANT. ALWAYS USE A PLACE MAT UNDER HOT OR COLD ITEMS TO PREVENT MARKING.



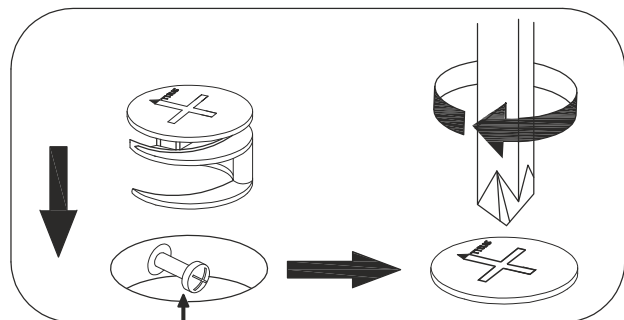
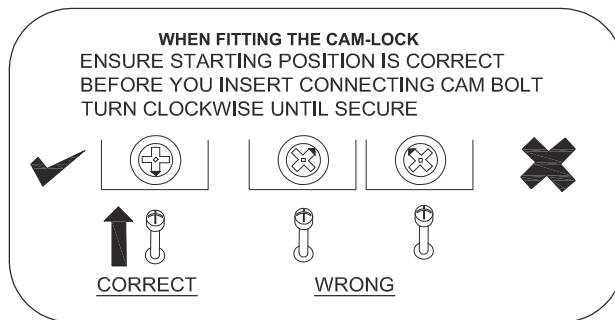
PART LIST

Part Number	Part Code	Part Description	Quantity	Carton
01	S100-102-125-ZF1-01	Left Panel	1	2/2
02	S100-102-125-ZF1-02	Right Panel	1	2/2
03	S100-102-125-ZF1-03	Drawer Front (Left)	4	1/2
04	S100-102-125-ZF1-04	Drawer Left Panel	8	2/2
05	S100-102-125-ZF1-05	Drawer Right Panel	8	2/2
06	S100-102-125-ZF1-06	Top Support Panel	2	1/2
07	S100-102-125-ZF1-07	Centre Support Panel	8	1/2
08	S100-102-125-ZF1-08	Bottom Support Panel	2	1/2
09	S100-102-125-ZF1-09	Top Panel	1	1/2
10	S100-102-125-ZF1-10	Drawer Back Panel	8	1/2
11	S100-102-125-ZF1-11	Drawer Bottom Panel	8	1/2
12	S100-102-125-ZF1-12	Back Panel	4	2/2
13	S100-102-125-ZF1-13	Drawer Support Panel	8	1/2
14	S100-102-125-ZF1-14	Centre Panel	1	1/2
15	S100-102-125-ZF1-15	Drawer Front (Right)	4	1/2

HARDWARE LIST

No.	Part Name		Qty
A	Cam Nut		50
B	Cam Bolt		42
C	Double Cam Bolt		4
D	M8 x 25mm Wood Dowel		68
E	38mm Chipboard Screw		40
F	14mm Chipboard Screw		84
G	14" Drawer Slide		8 sets
H	PVC L Braket		2
J	Plastic Foot		6
K	18mm Panel Pin		70
L	Wall Fittings (4 x 20mm x 1)		2

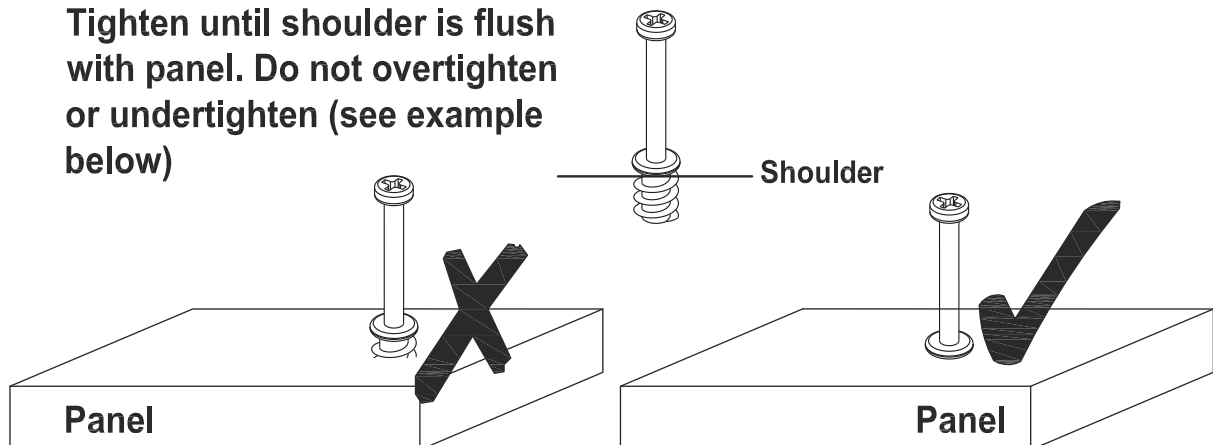
TIPS FOR FITTING CAM-LOCKS



Cam bolt head needs to be in centre

CAMBOLT

Tighten until shoulder is flush with panel. Do not overtighten or undertighten (see example below)



STEP 1

PARTS REQUIRED

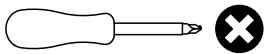
01 - LEFT PANEL x1

HARDWARE REQUIRED

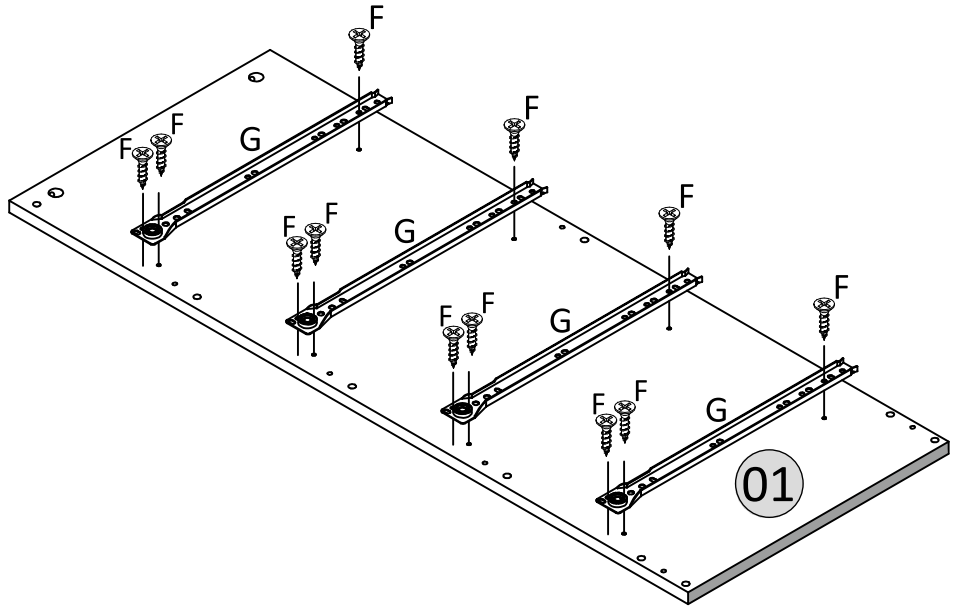
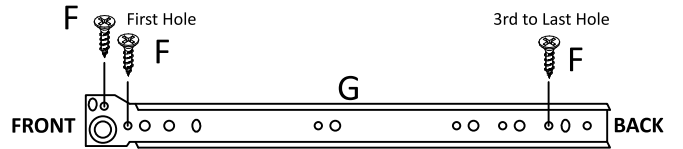
F  12

G  04

TOOLS REQUIRED



To Assemble the Drawer Slide, Please Follow Step as Below

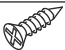


STEP 2

PARTS REQUIRED

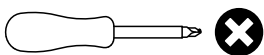
02 - RIGHT PANEL x1

HARDWARE REQUIRED

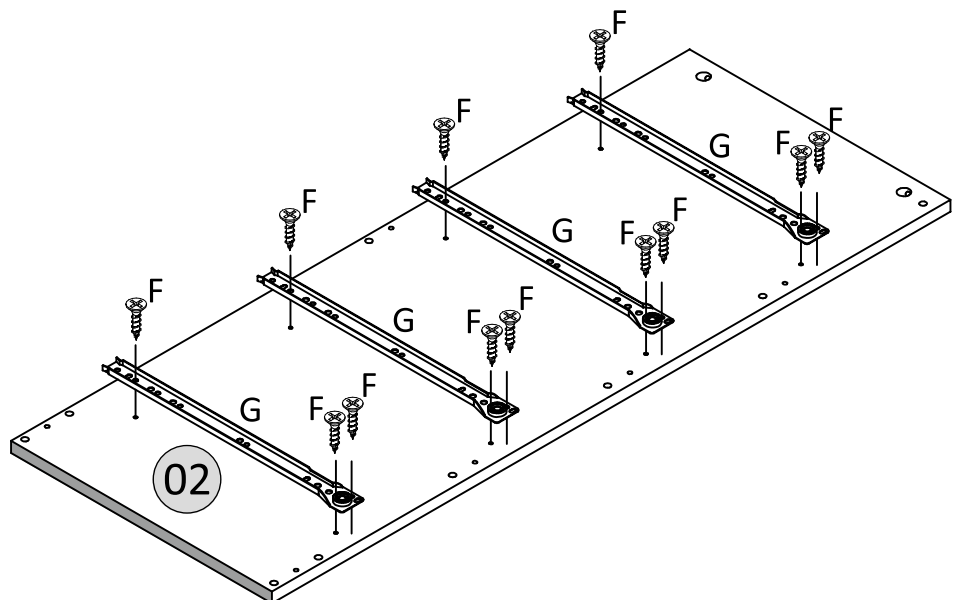
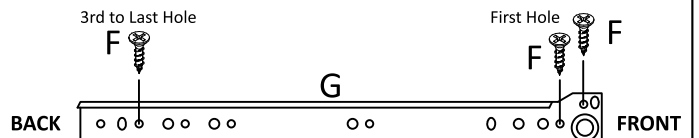
F  12

G  04

TOOLS REQUIRED



To Assemble the Drawer Slide, Please Follow Step as Below



STEP 3

PARTS REQUIRED

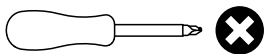
14 - CENTRE PANEL x1

HARDWARE REQUIRED

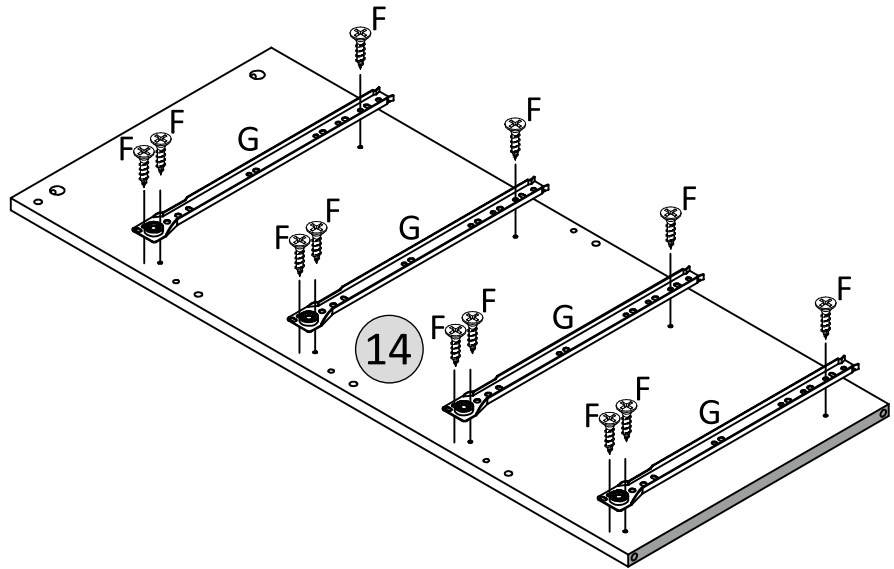
F  12

G  04

TOOLS REQUIRED



To Assemble the Drawer Slide, Please Follow Step as Below

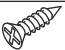


STEP 4

PARTS REQUIRED

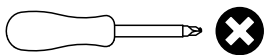
14 - CENTRE PANEL x1

HARDWARE REQUIRED

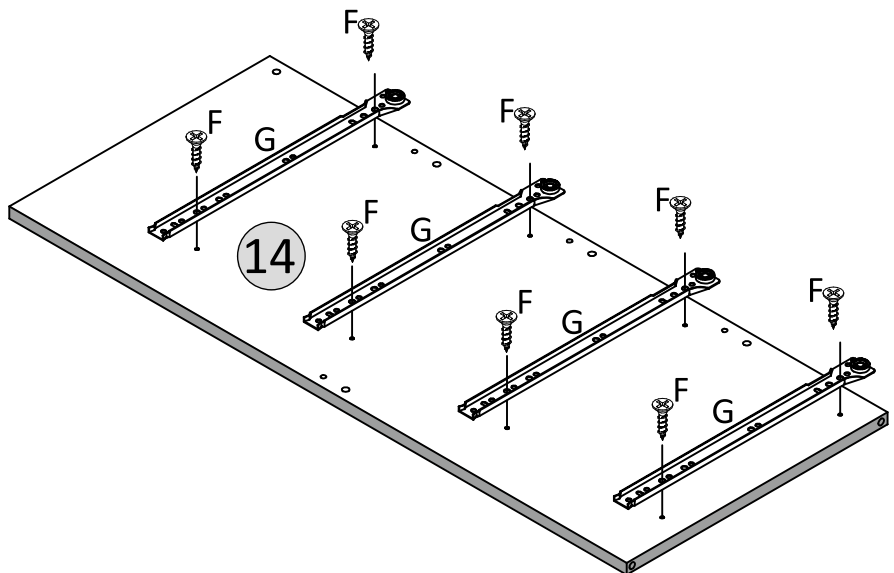
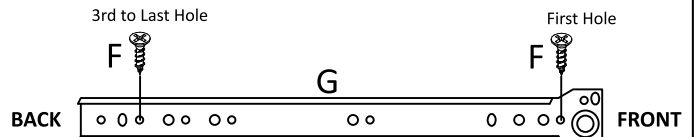
F  08

G  04

TOOLS REQUIRED



To Assemble the Drawer Slide, Please Follow Step as Below






STEP 5

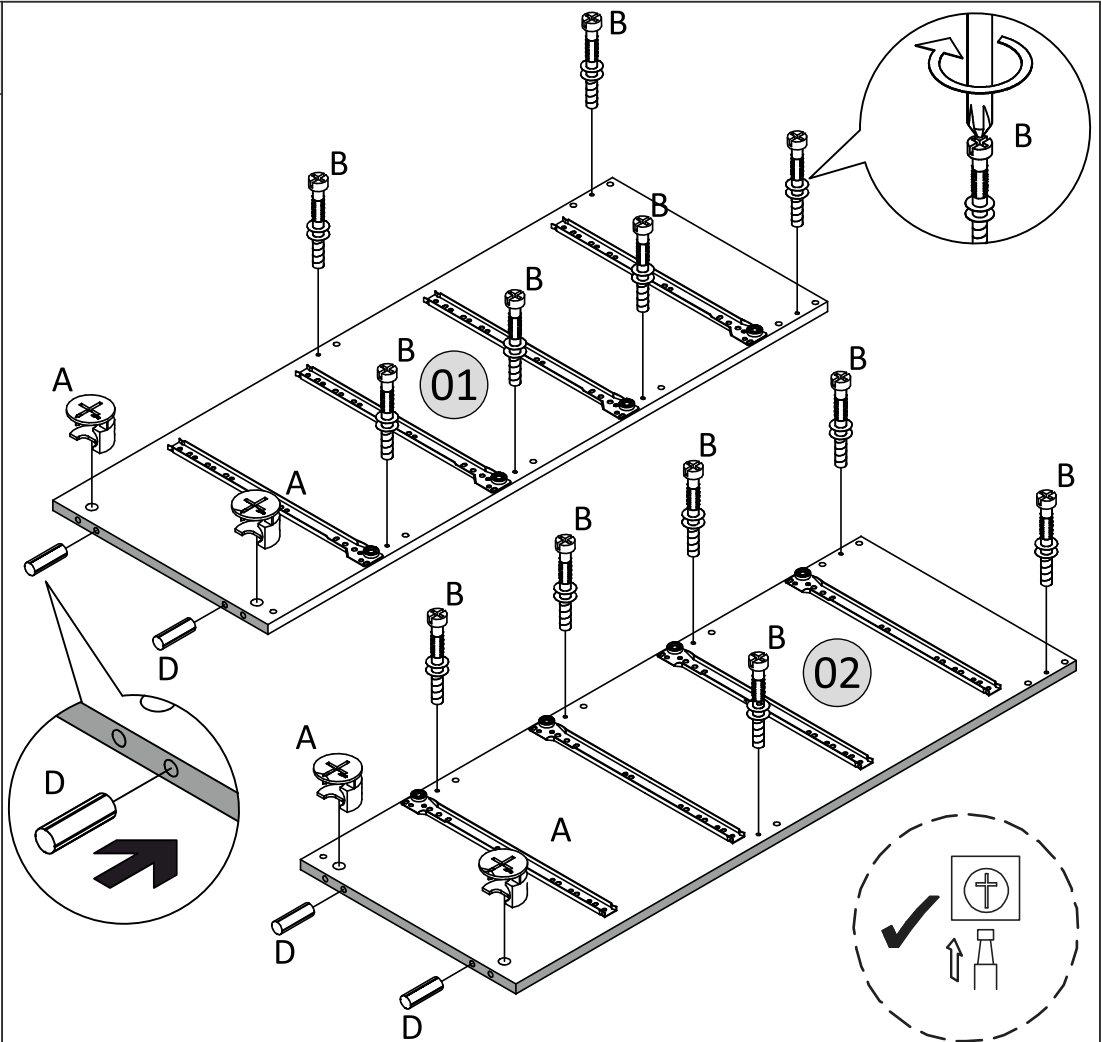
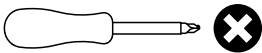
PARTS REQUIRED

01 -LEFT PANEL	x1
02 -RIGHT PANEL	x1

HARDWARE REQUIRED

A		04
B		12
D		04

TOOLS REQUIRED





STEP 6

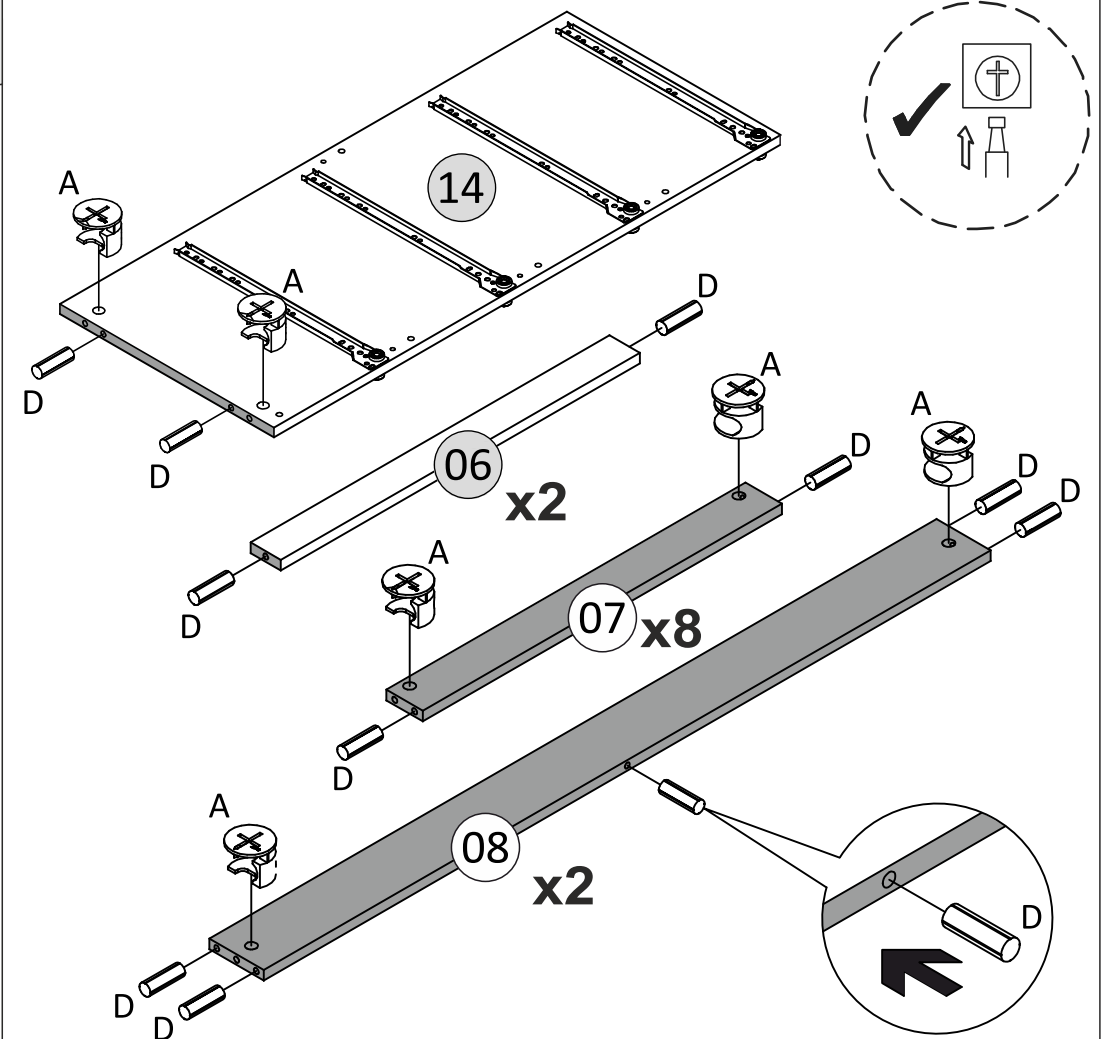
PARTS REQUIRED

06 -TOP SUPPORT PANEL	x2
07 -CENTRE SUPPORT PANEL	x8
08 -BOTTOM SUPPORT PANEL	x2
14 -CENTRE PANEL	x1

HARDWARE REQUIRED

A		22
D		32

TOOLS REQUIRED



STEP 7

PARTS REQUIRED

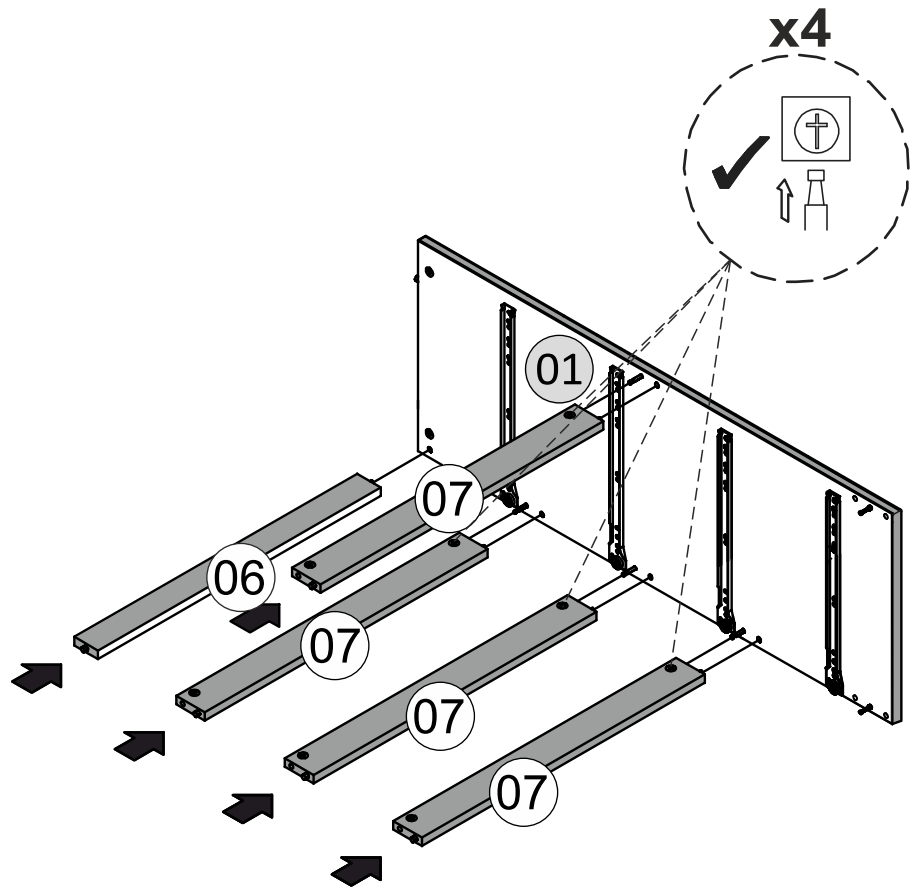
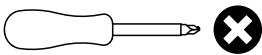
01 - LEFT PANEL x1

06 - TOP SUPPORT PANEL x1

07 - CENTRE SUPPORT PANEL x4

HARDWARE REQUIRED

TOOLS REQUIRED

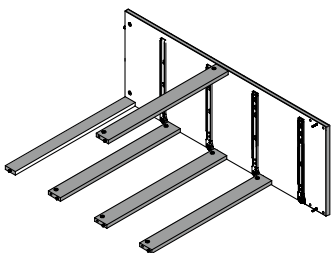


STEP 8

PARTS REQUIRED

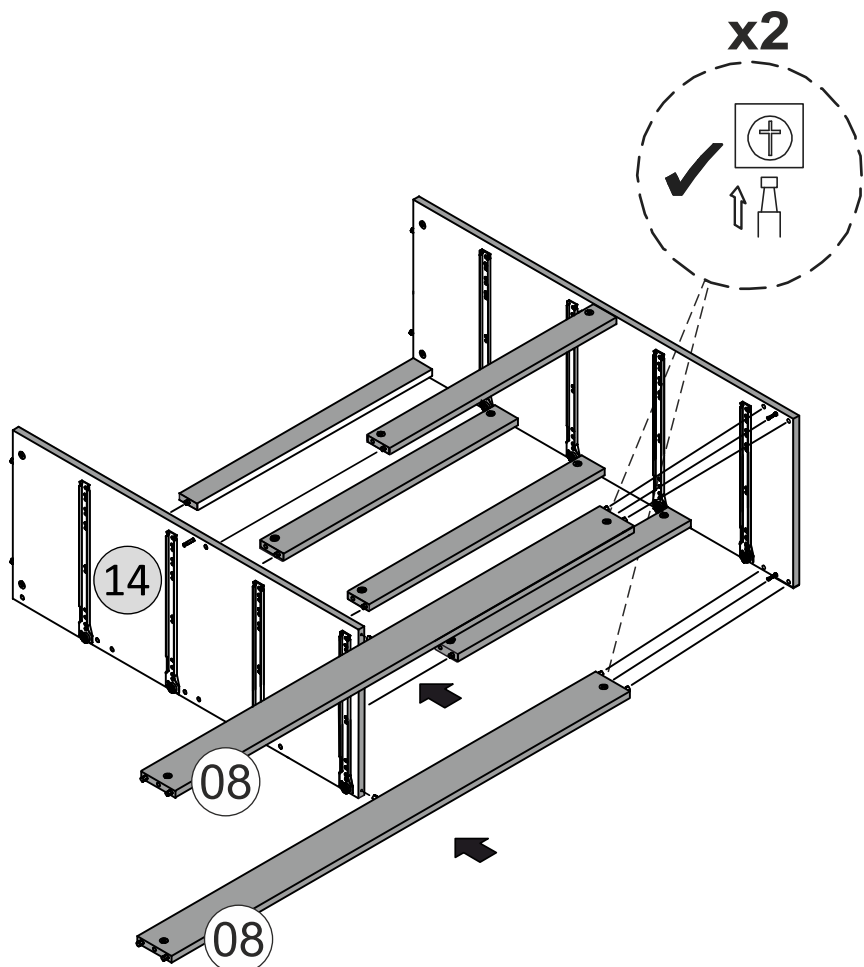
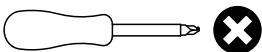
08 - BOTTOM SUPPORT PANEL x2

14 - CENTRE PANEL x1



HARDWARE REQUIRED

TOOLS REQUIRED

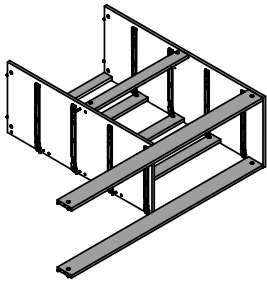


STEP 9

PARTS REQUIRED

06 - TOP SUPPORT PANEL x1

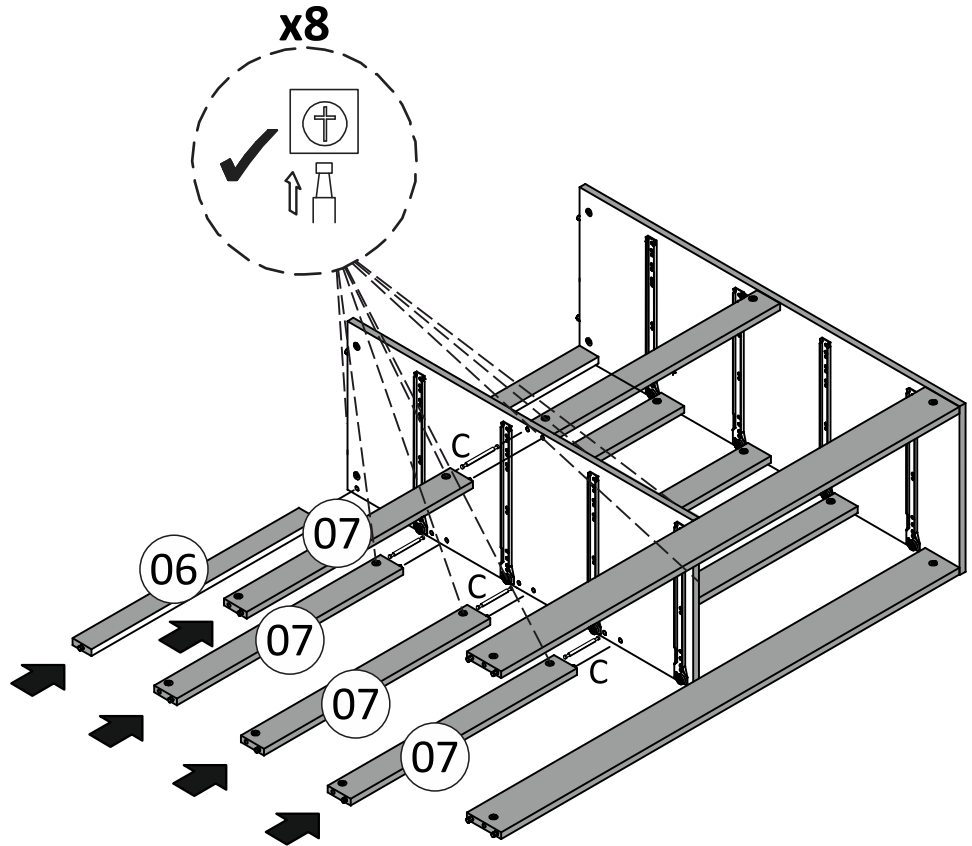
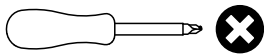
07 - CENTRE SUPPORT PANEL x4



HARDWARE REQUIRED

C  04

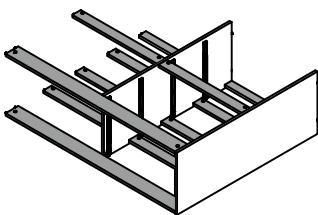
TOOLS REQUIRED



STEP 10

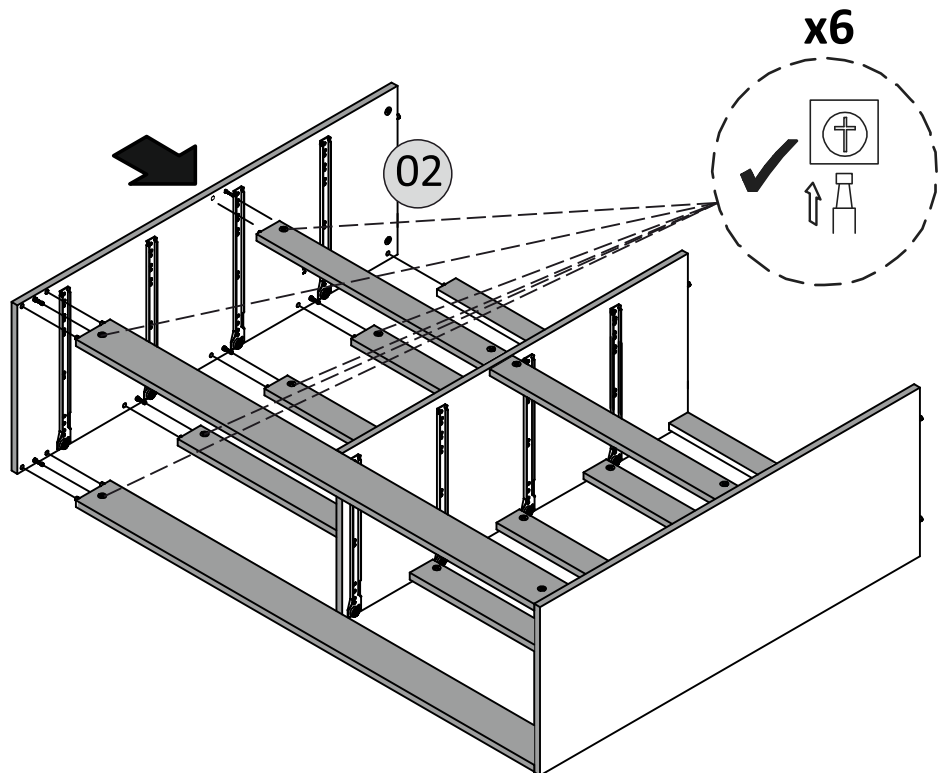
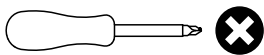
PARTS REQUIRED

02 - RIGHT PANEL x1



HARDWARE REQUIRED

TOOLS REQUIRED

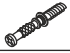


STEP 11

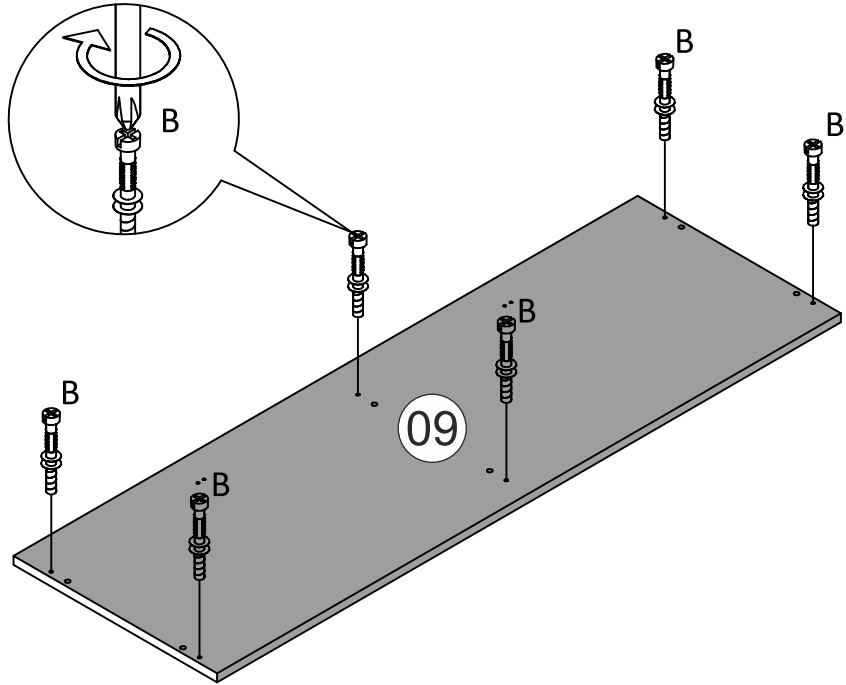
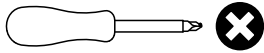
PARTS REQUIRED

09 - TOP PANEL x1

HARDWARE REQUIRED

B  06

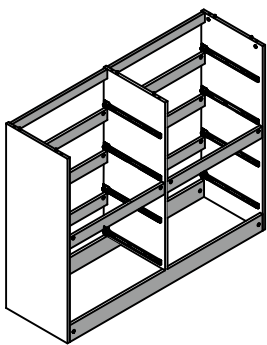
TOOLS REQUIRED



STEP 12

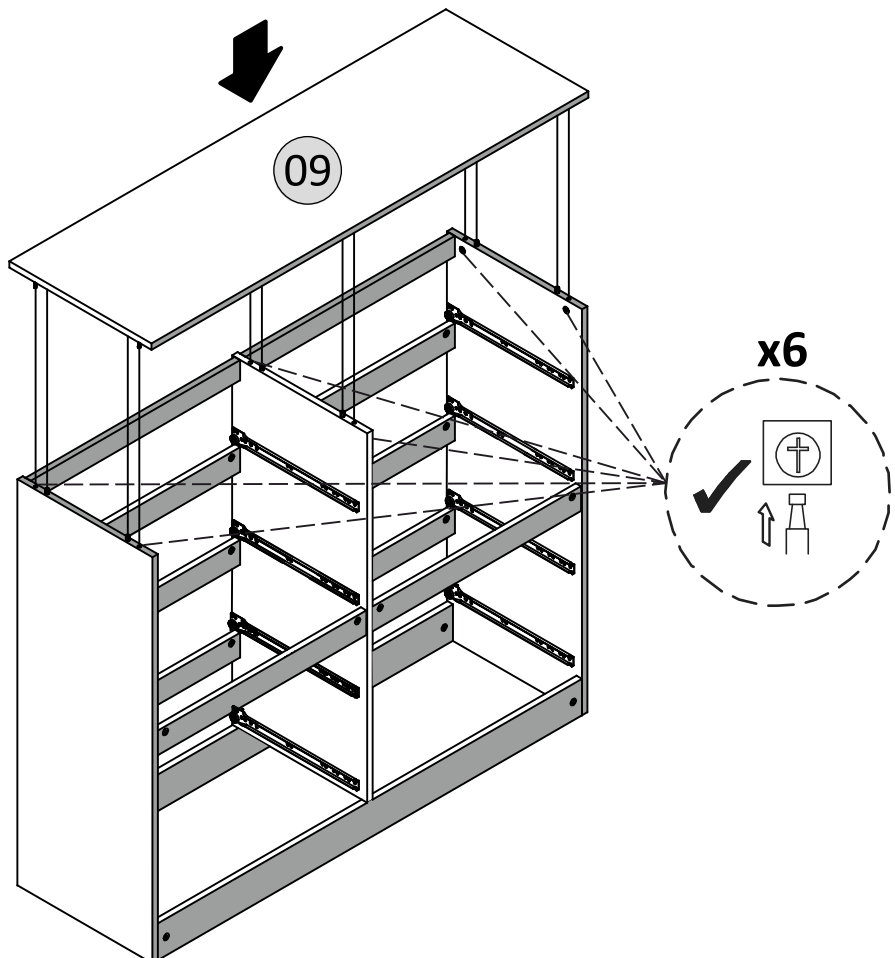
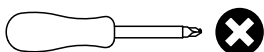
PARTS REQUIRED

09 - TOP PANEL x1



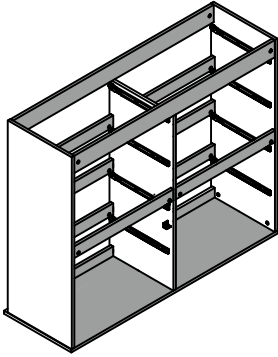
HARDWARE REQUIRED

TOOLS REQUIRED





STEP 13

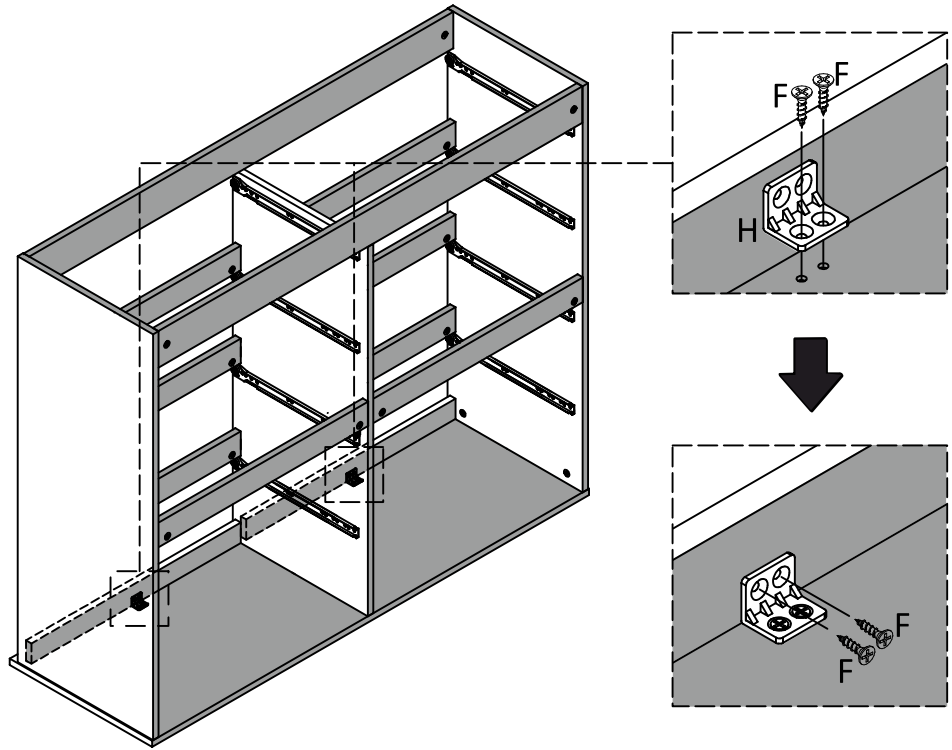
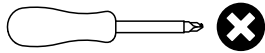
PARTS REQUIRED



HARDWARE REQUIRED

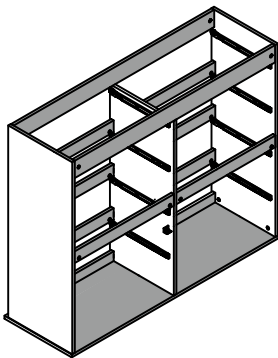
F		08
H		02

TOOLS REQUIRED



STEP 14

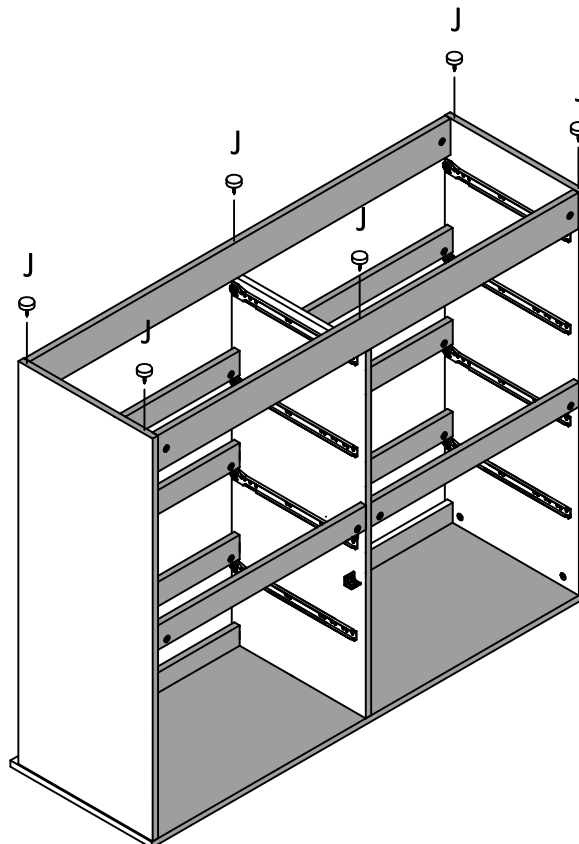
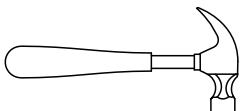
PARTS REQUIRED



HARDWARE REQUIRED

J		06
---	-------------------------------------------------------------------------------------	----

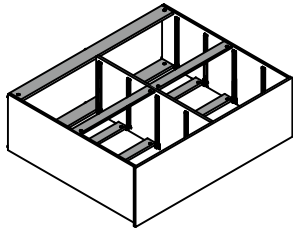
TOOLS REQUIRED



STEP 15

PARTS REQUIRED

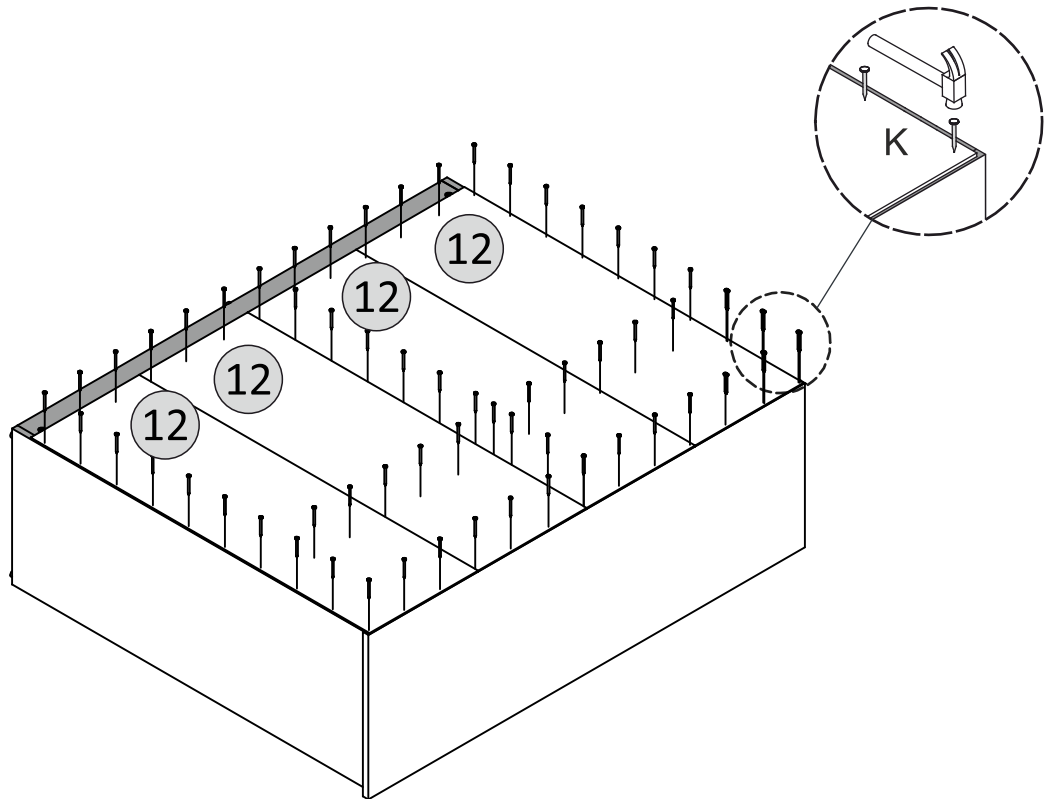
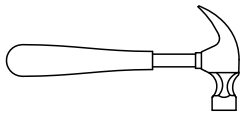
12- BACK PANEL x4



HARDWARE REQUIRED

K  70

TOOLS REQUIRED



STEP 16

PARTS REQUIRED

03 - DRAWER FRONT (LEFT) x4

04 - DRAWER LEFT PANEL x8


05 - DRAWER RIGHT PANEL x8

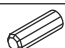
13- DRAWER SUPPORT PANEL x8

15- DRAWER FRONT (RIGHT) x4

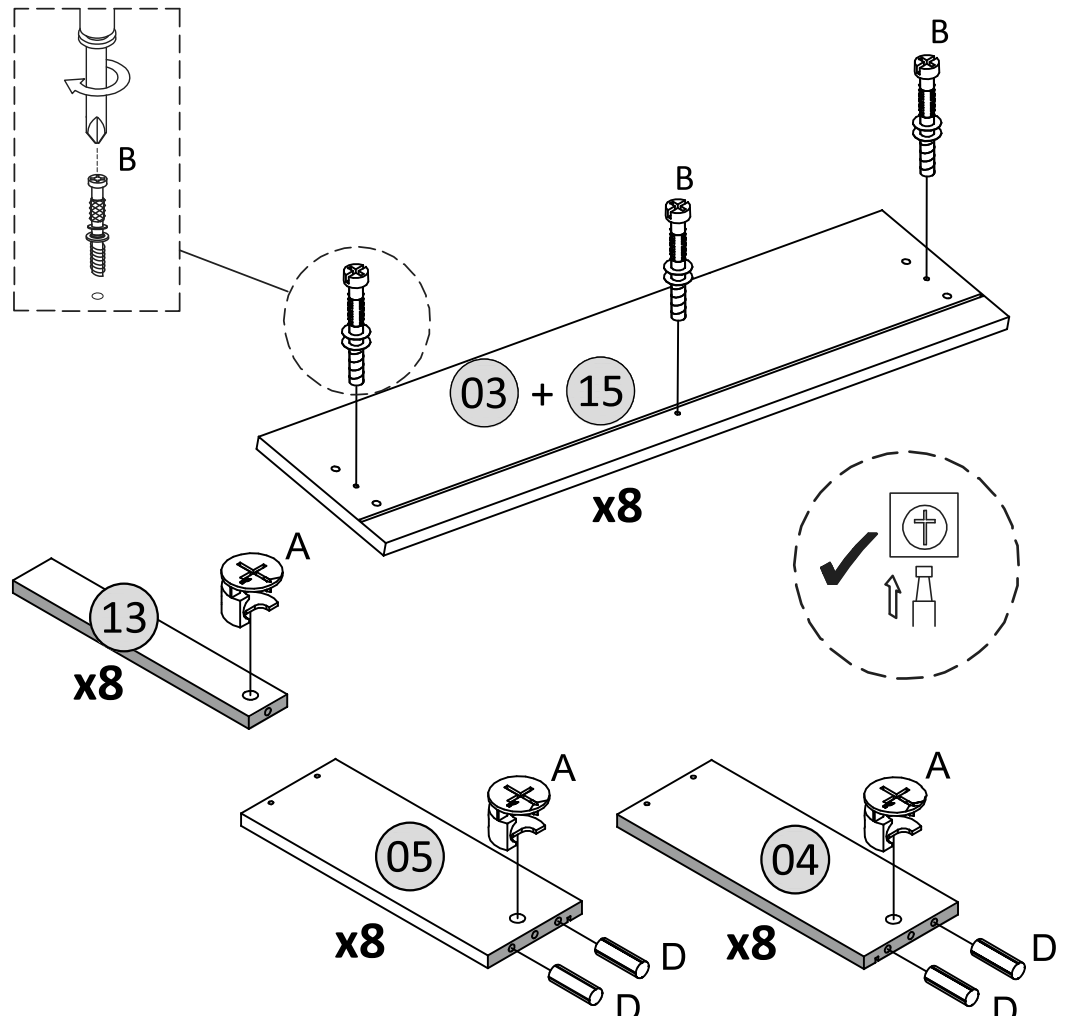
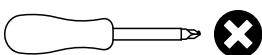
HARDWARE REQUIRED

A  24

B  24

D  32

TOOLS REQUIRED




STEP 17

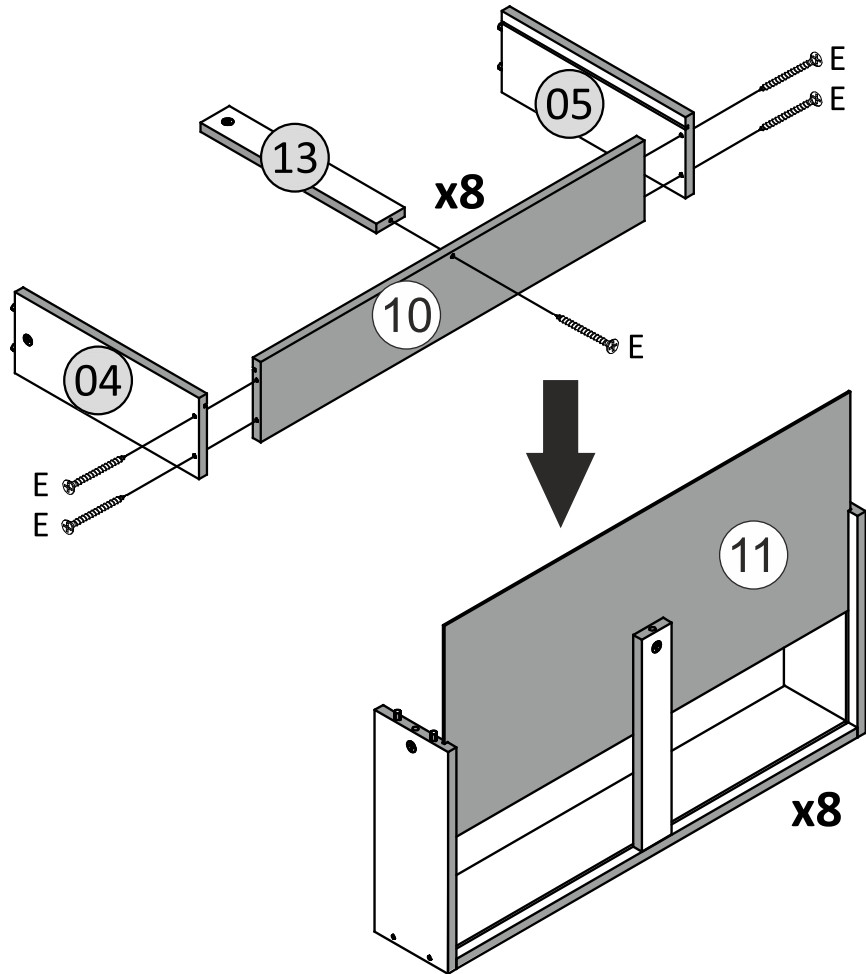
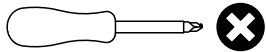
PARTS REQUIRED

- 04 - DRAWER LEFT PANEL x8
- 05 - DRAWER RIGHT PANEL x8
- 10- DRAWER BACK PANEL x8
- 11- DRAWER BOTTOM PANEL x8
- 13- DRAWER SUPPORT PANEL x8

HARDWARE REQUIRED

- E  40

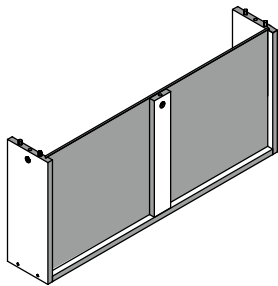
TOOLS REQUIRED





STEP 18

PARTS REQUIRED

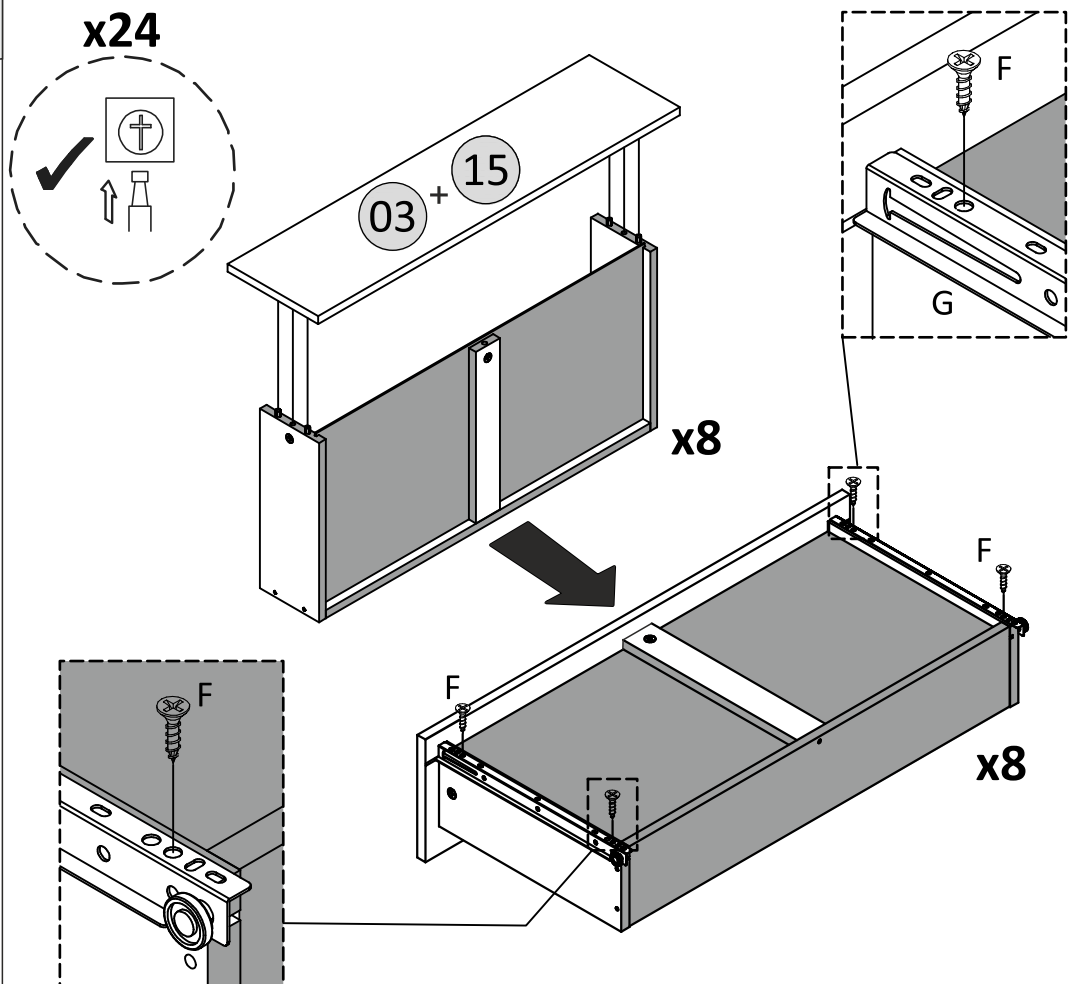
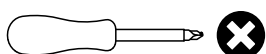
- 03 - DRAWER FRONT (LEFT) x4
- 15 - DRAWER FRONT (RIGHT) x4



HARDWARE REQUIRED

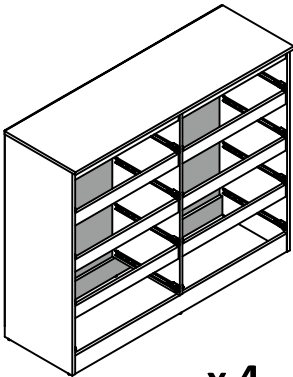
- F  32
- G  08

TOOLS REQUIRED

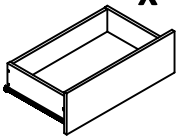


STEP 19

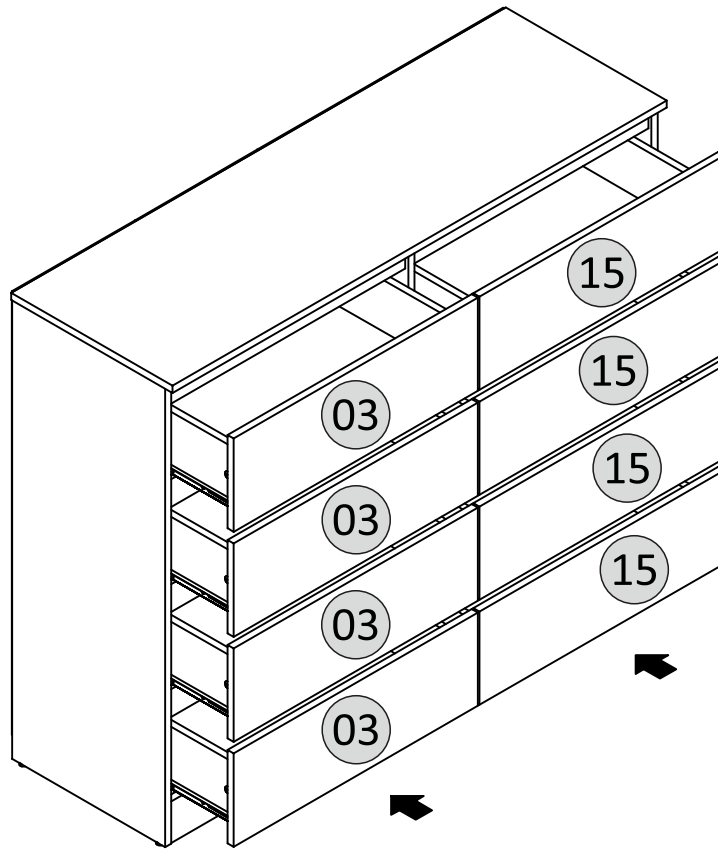
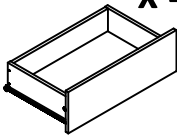
PARTS REQUIRED



x 4

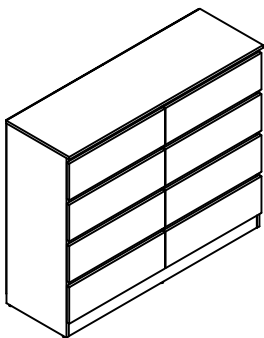


x 4



STEP 20

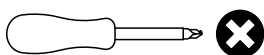
PARTS REQUIRED



HARDWARE REQUIRED



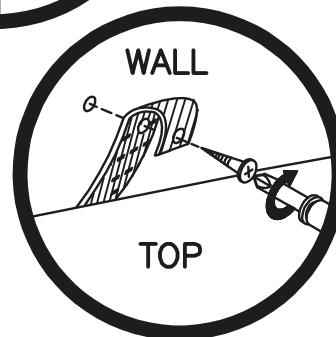
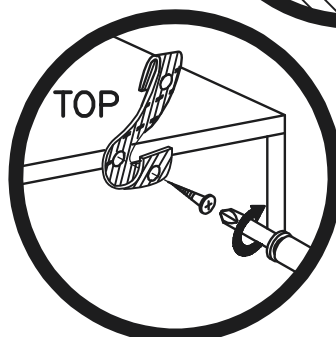
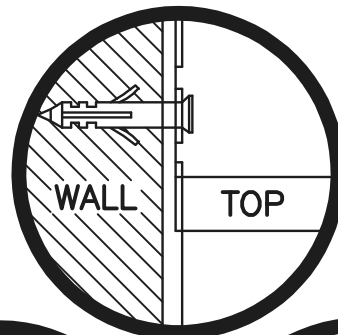
TOOLS REQUIRED



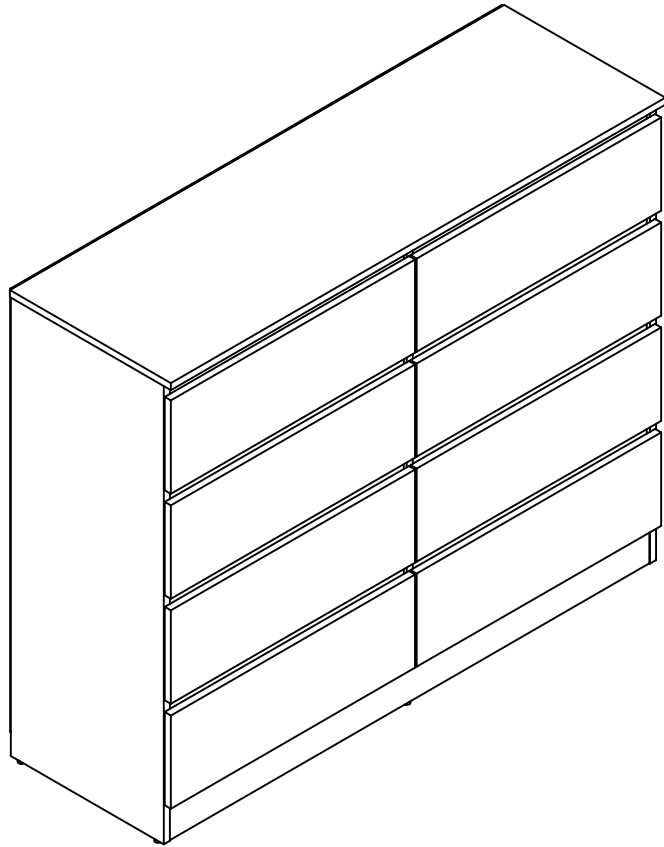
WARNING

Serious or fatal injuries can occur from furniture tipping over. To prevent the furniture from tipping over we recommend that it is permanently fixed to the wall.

Wall fixings are not supplied with this product as different wall materials require different types of fixing devices. Please make sure you use fixings suitable for the walls in your home.



STEP 21



FINISH