

NORDIC MERCHANT CHEST ASSEMBLY INSTRUCTIONS



FOR DOMESTIC USE ONLY IMPORTANT

PLEASE READ BEFORE YOU CONTINUE FURTHER

THE PRODUCT YOU HAVE PURCHASED WILL GIVE YOU MANY YEARS OF SERVICE IF YOU FOLLOW THE GUIDELINES FOR ITS SAFE ASSEMBLY AND PERIODIC MAINTENANCE AND CLEANING. ASSEMBLE ON A SOFT CLEAN SURFACE.

DO NOT USE ANY TOOLS OTHER THAN THOSE SHOWN.

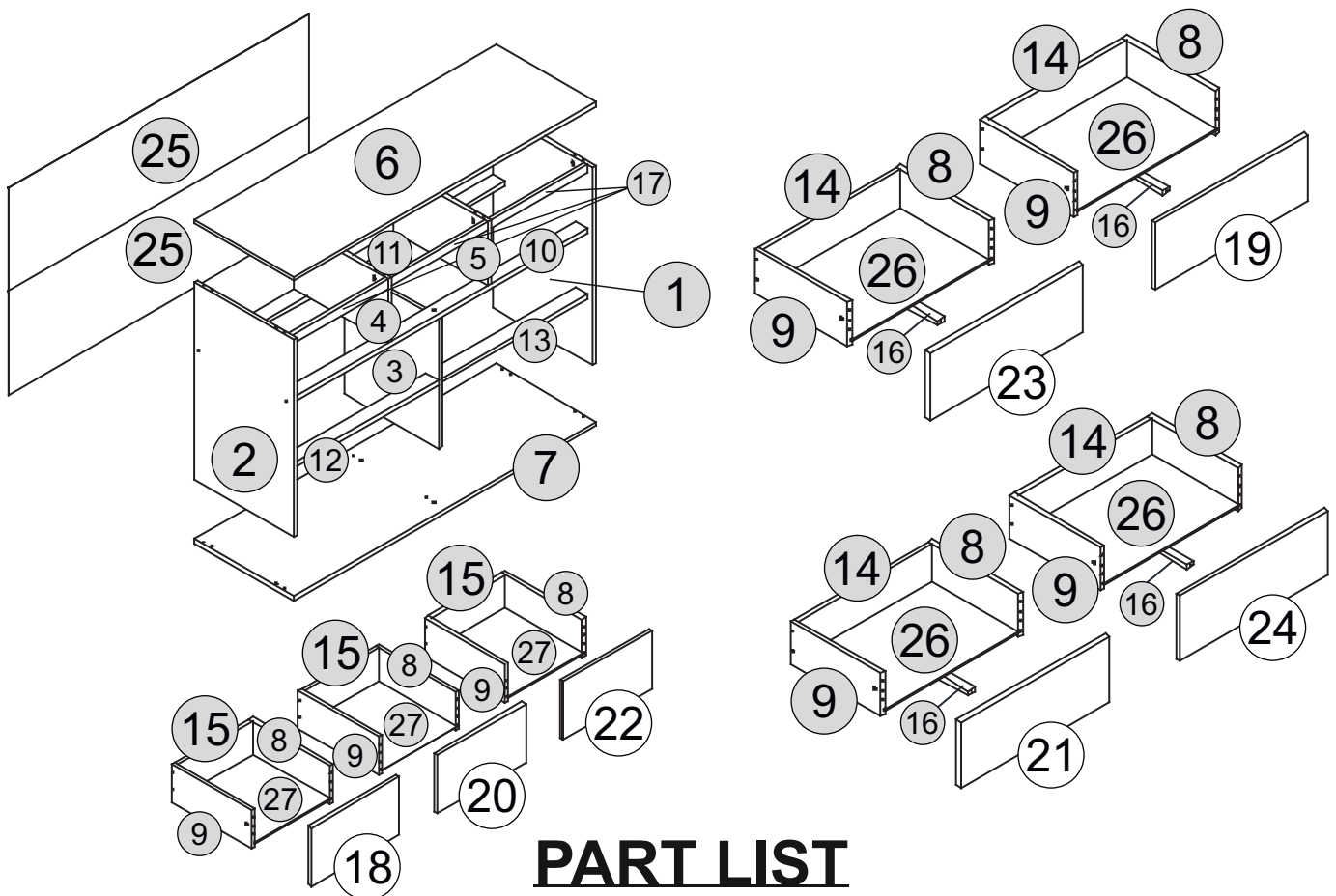
ANY SPANNERS OR ALLEN KEYS REQUIRED ARE INCLUDED WITH THE FITTING KIT.

DO NOT FOR ANY REASON USE A POWER TOOL TO ASSEMBLE THIS PRODUCT. ITS USE WILL INVALIDATE ANY CLAIM YOU MAY HAVE AND COULD MAKE THIS PRODUCT UNSAFE.

DEPENDING ON THE AMOUNT OF USE THIS PRODUCT RECEIVES, IT MAY BE NECESSARY TO TIGHTEN UP THE FIXINGS FROM TIME TO TIME. THIS IS COMPLETELY NORMAL FOR ANY FLAT PACK FURNITURE. DO NOT OVERTIGHTEN FIXINGS.

FOR CLEANING, YOU MAY USE A DAMP CLOTH (NOT WET). DO NOT USE POLISH, DETERGENT OR CHEMICAL CLEANERS.

THE SURFACE OF THIS ITEM IS NOT HEAT RESISTANT. ALWAYS USE A PLACE MAT UNDER HOT OR COLD ITEMS TO PREVENT MARKING.



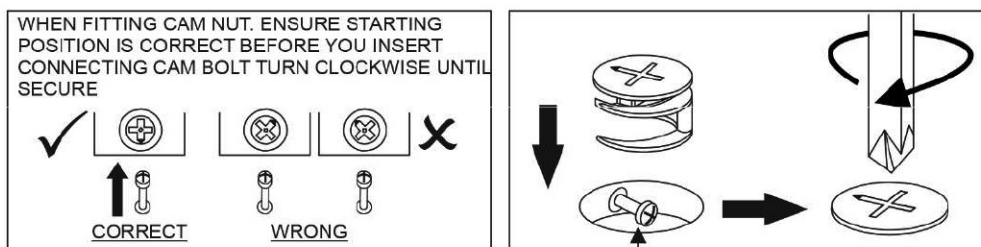
PART LIST

Part Number	Part Code	Part Description	Quantity	Carton
1	S100-102-113-TA1-01	Right Side Panel	1	1/2
2	S100-102-113-TA1-02	Left Side Panel	1	1/2
3	S100-102-113-TA1-03	Bottom Centre Panel	1	1/2
4	S100-102-113-TA1-04	Top Centre Panel (L)	1	1/2
5	S100-102-113-TA1-05	Top Centre Panel (R)	1	1/2
6	S100-102-113-TA1-06	Top Panel	1	1/2
7	S100-102-113-TA1-07	Bottom Panel	1	1/2
8	S100-102-113-TA1-08	Right Drawer Side	7	2/2
9	S100-102-113-TA1-09	Left Drawer Side	7	2/2
10	S100-102-113-TA1-10	Large Front Support Panel	1	1/2
11	S100-102-113-TA1-11	Large Back Support Panel	1	1/2
12	S100-102-113-TA1-12	Small Front Support Panel (L)	1	1/2
13	S100-102-113-TA1-13	Small Front Support Panel (R)	1	1/2
14	S100-102-113-TA1-14	Large Drawer Back	4	2/2
15	S100-102-113-TA1-15	Small Drawer Back	3	2/2
16	S100-102-113-TA1-16	Drawer Support	4	2/2
17	S100-102-113-TA1-17	Top Support	3	2/2
18	S100-102-113-TA1-18	Small Drawer Front (L)	1	1/2
19	S100-102-113-TA1-19	Top Large Drawer Front (R)	1	2/2
20	S100-102-113-TA1-20	Small Drawer Front (Centre)	1	1/2
21	S100-102-113-TA1-21	Bottom Large Drawer Front (L)	1	2/2
22	S100-102-113-TA1-22	Small Drawer Front (R)	1	1/2
23	S100-102-113-TA1-23	Top Large Drawer Front (L)	1	2/2
24	S100-102-113-TA1-24	Bottom Large Drawer Front (R)	1	2/2
25	S100-102-113-TA1-25	Back Panel	2	1/2
26	S100-102-113-TA1-26	Large Drawer Base	4	1/2
27	S100-102-113-TA1-27	Small Drawer Base	3	1/2

HARDWARE LIST

No.	Part Name		Qty	Carton
A	Wooden Dowel (6x30mm)		x60	2
B	45mm Screw (4x45mm)		x16	2
C	14mm Screw (3.5x14mm)		x88	2
D	38mm Screw (4x38mm)		x32	2
E	Cam Bolt		x26	2
F	Cam Nut		x26	2
G	Wood Leg + Plastic Foot		x5	2
H	6/8" Nail		x80	2
I	14" Drawer Slide		x7	1
J	PVC L-Bracket		x3	2
K	Handle+Screw (3.5X 14mm=12pcs)		x3	2
L	Screw Cover		x4	2
M	Handle+Screw (4x20mm=2pcs)		x2	2
N	Handle+Screw (3.5X 14mm=4pcs)		x2	2
O	Wall Fixings (4x20mm=1pc)		x1	2

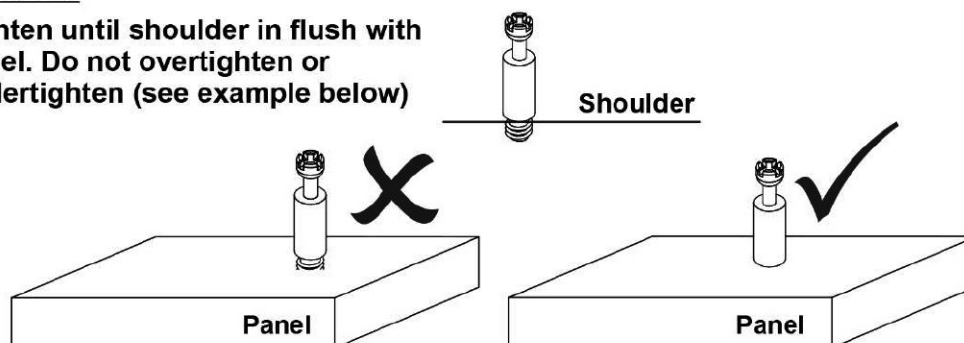
TIPS FOR FITTINGS CAM-LOCKS



Cam bolt head needs to be in centre

CAMBOLT

Tighten until shoulder in flush with panel. Do not overtighten or undertighten (see example below)



STEP 1


PARTS REQUIRED

3 - BOTTOM CENTRE PANEL x1

4 - TOP CENTRE PANEL(L) x1

5 - TOP CENTRE PANEL(R) x1

HARDWARE REQUIRED

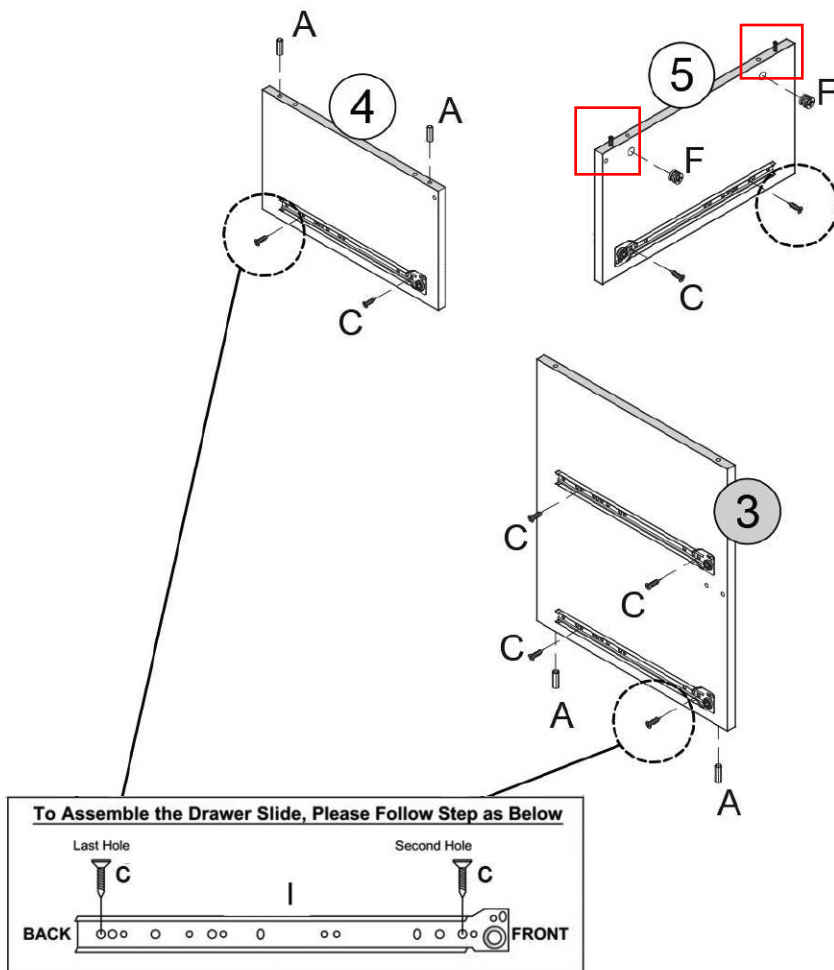
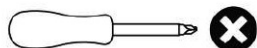
A  04

C  3.5x14mm 08

F  02

I  04

TOOLS REQUIRED



STEP 2

PARTS REQUIRED

3 - BOTTOM CENTRE PANEL x1

4 - TOP CENTRE PANEL (L) x1

5 - TOP CENTRE PANEL (R) x1

HARDWARE REQUIRED

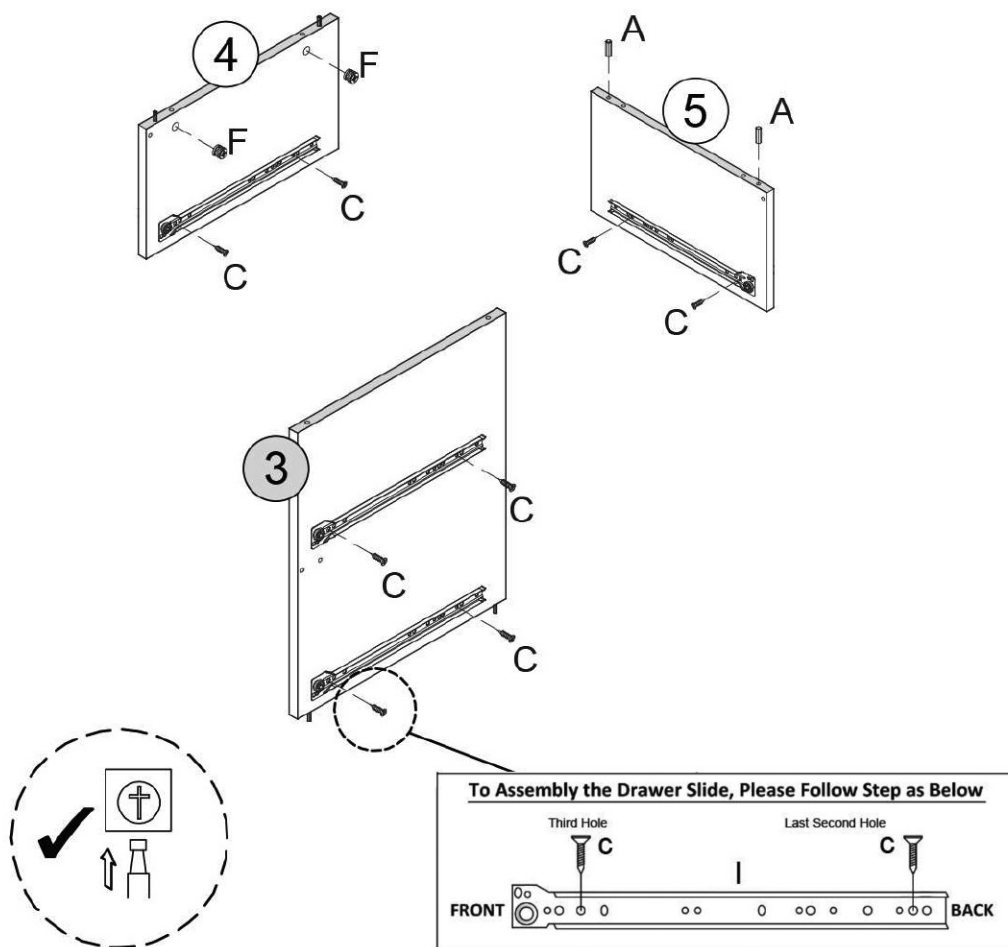
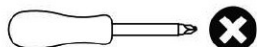
A  02

C  3.5x14mm 08

F  02

I  04

TOOLS REQUIRED



STEP 3

PARTS REQUIRED

10 - LARGE FRONT SUPPORT PANEL x1

11 - LARGE BACK SUPPORT PANEL x1

12 - SMALL FRONT SUPPORT PANEL(L)x1

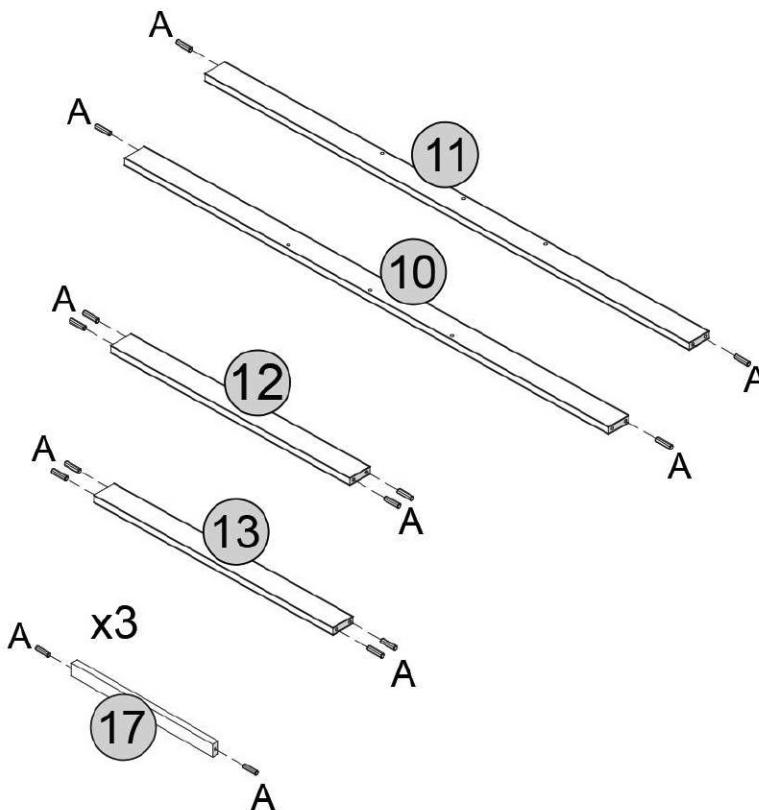
13 - SMALL FRONT SUPPORT PANEL(R)x1

17 - TOP SUPPORT x3

HARDWARE REQUIRED

A  18

TOOLS REQUIRED



STEP 4

PARTS REQUIRED

4 - TOP CENTRE PANEL(L) x1

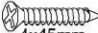
5 - TOP CENTRE PANEL (R) x1

10 -LARGE FRONT SUPPORT PANEL x1

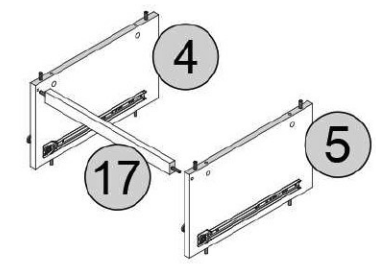
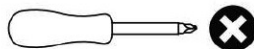
11 -LARGE BACK SUPPORT PANEL x1

17 -TOP SUPPORT x1

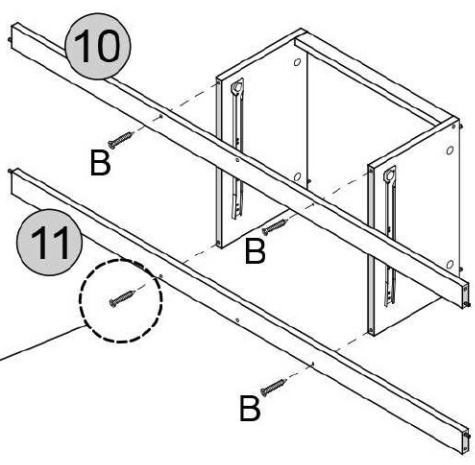
HARDWARE REQUIRED

B  04

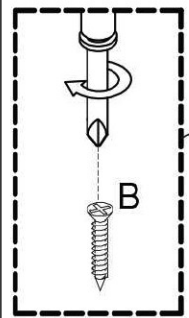
TOOLS REQUIRED



1st



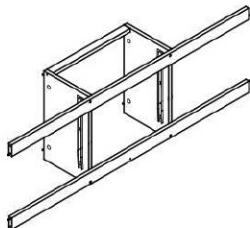
2nd



STEP 5

PARTS REQUIRED

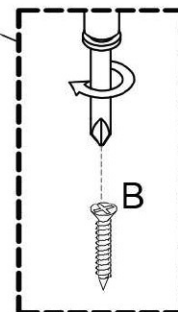
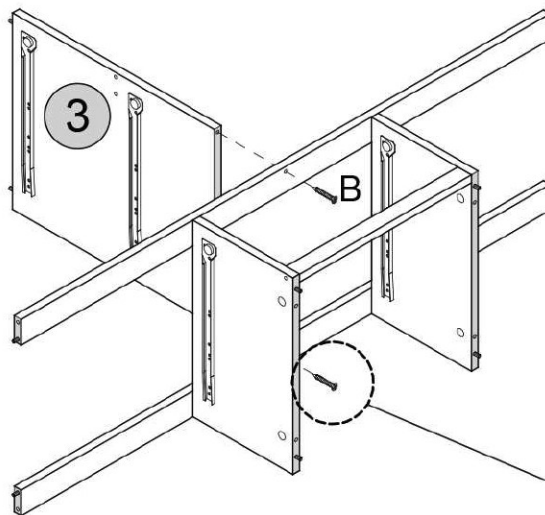
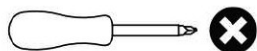
3 - BOTTOM CENTRE PANEL x1



HARDWARE REQUIRED

B  02
4x45mm

TOOLS REQUIRED




STEP 6

PARTS REQUIRED

1 - RIGHT SIDE PANEL x1

HARDWARE REQUIRED

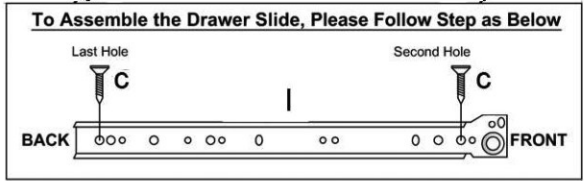
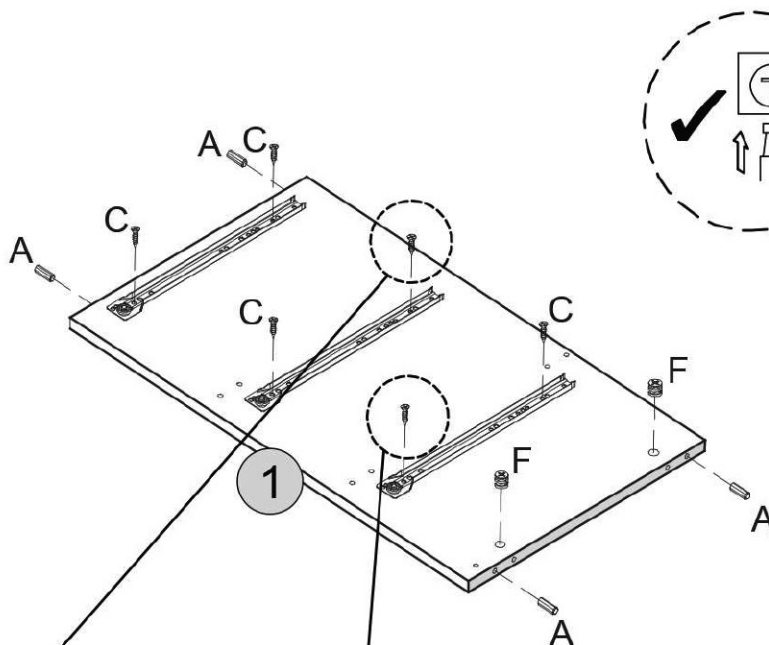
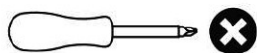
A  04

C  06
3.5x14mm

F  02

I  03

TOOLS REQUIRED



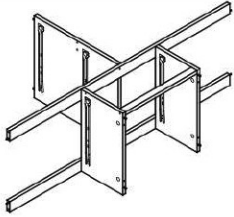
STEP 7

PARTS REQUIRED

1 - RIGHT SIDE PANEL x1

13 - SMALL FRONT SUPPORT PANEL(R)X1

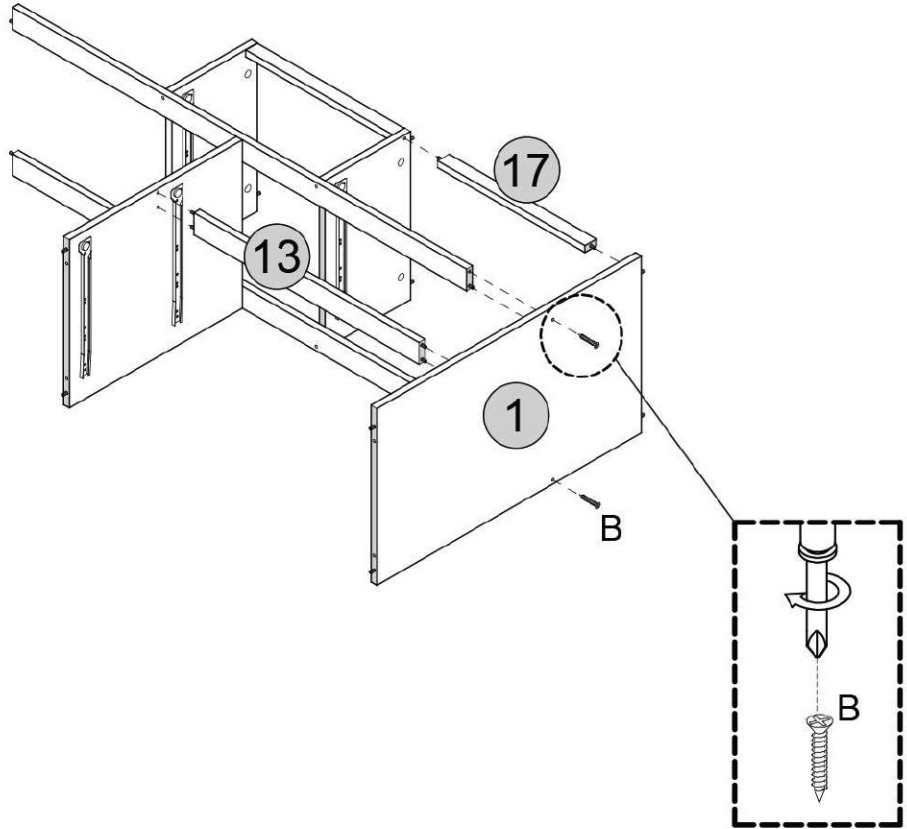
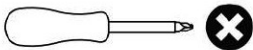
17 - TOP SUPPORT x1



HARDWARE REQUIRED

B  02

TOOLS REQUIRED



STEP 8

PARTS REQUIRED

2 - LEFT SIDE PANEL x1

HARDWARE REQUIRED

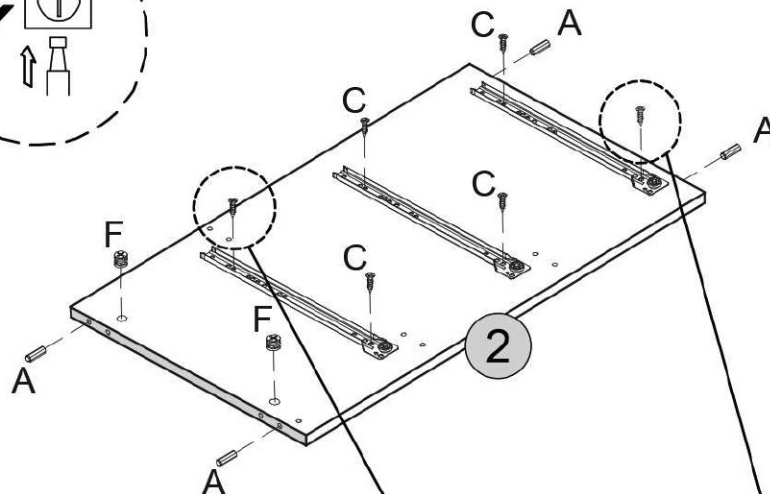
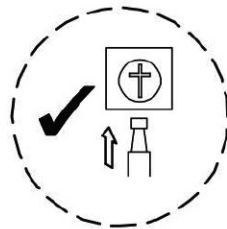
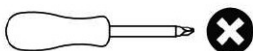
A  04

C  06

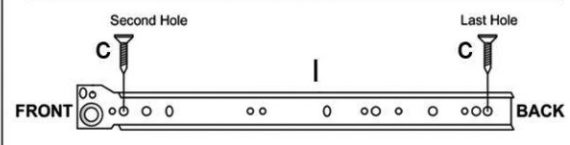
F  02

I  03

TOOLS REQUIRED



To Assemble the Drawer Slide, Please Follow Step as Below



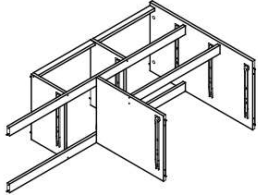
STEP 9

PARTS REQUIRED


2 - LEFT SIDE PANEL x1

12 - SMALL FRONT SUPPORT PANEL(L) X1

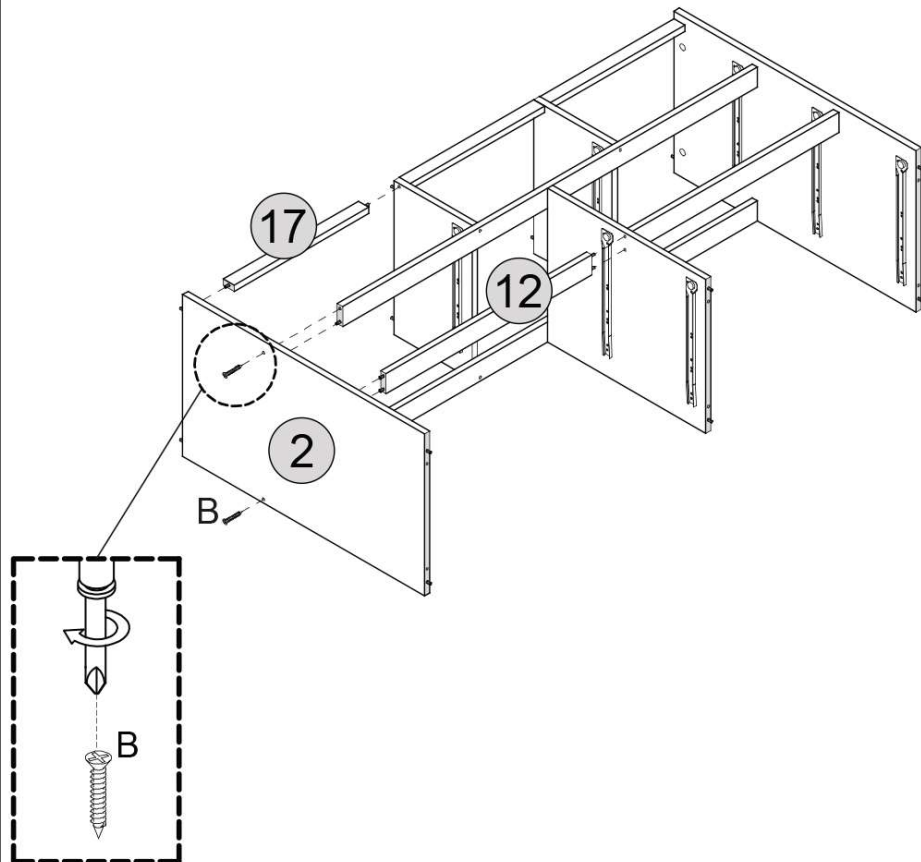
17 - TOP SUPPORT x1



HARDWARE REQUIRED

B  02
4x45mm

TOOLS REQUIRED



STEP 10

PARTS REQUIRED

6 - TOP PANEL x1

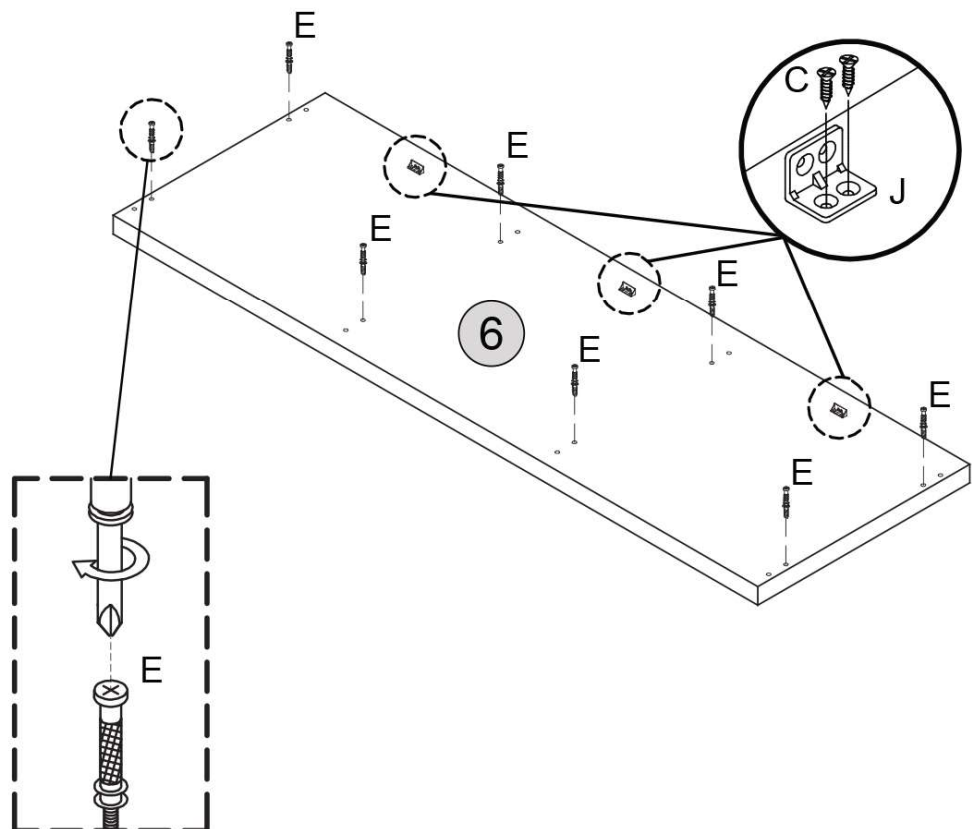
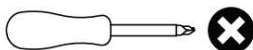
HARDWARE REQUIRED

C  06
3.5x14mm

E  08

J  03

TOOLS REQUIRED

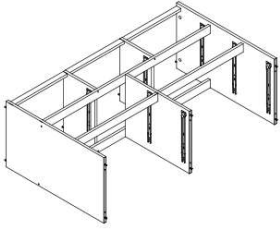


STEP 11

PARTS REQUIRED

6 - TOP PANEL x1

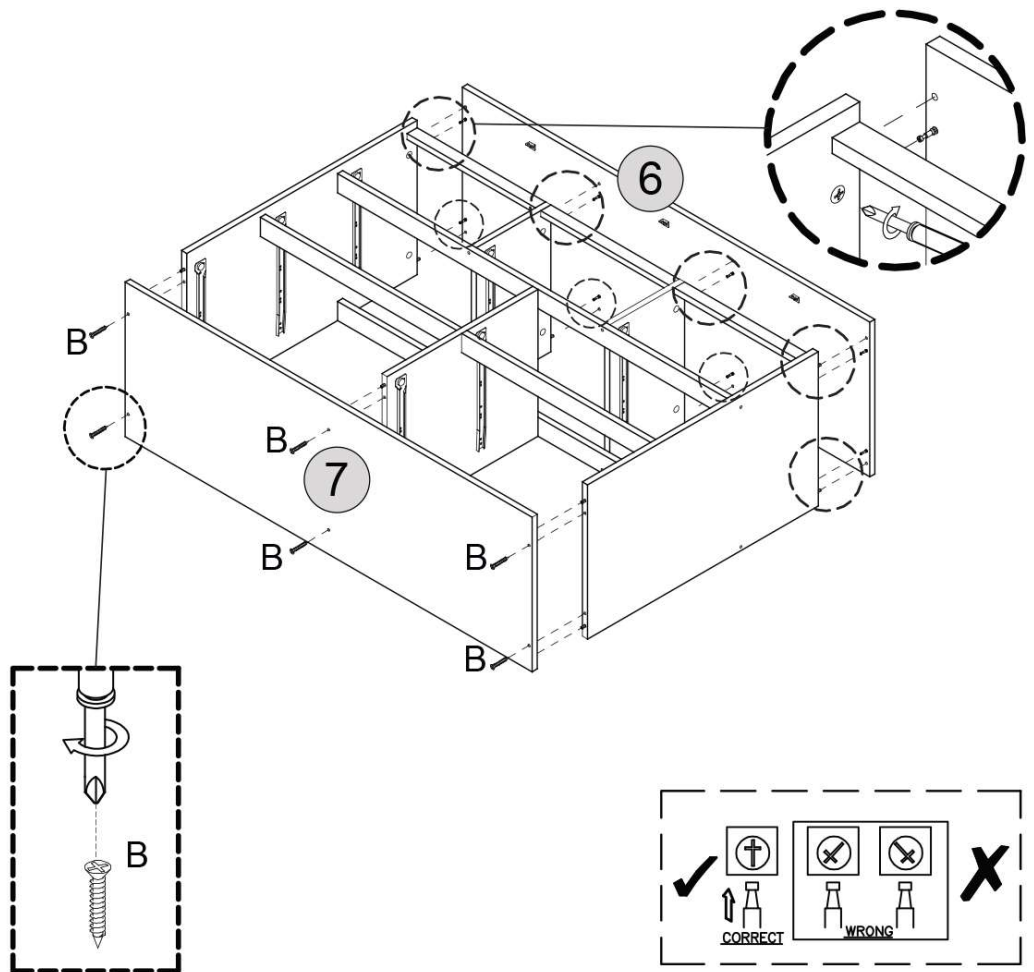
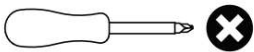
7 - BOTTOM PANEL x1



HARDWARE REQUIRED

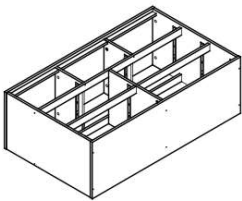
B  06

TOOLS REQUIRED



STEP 12

PARTS REQUIRED

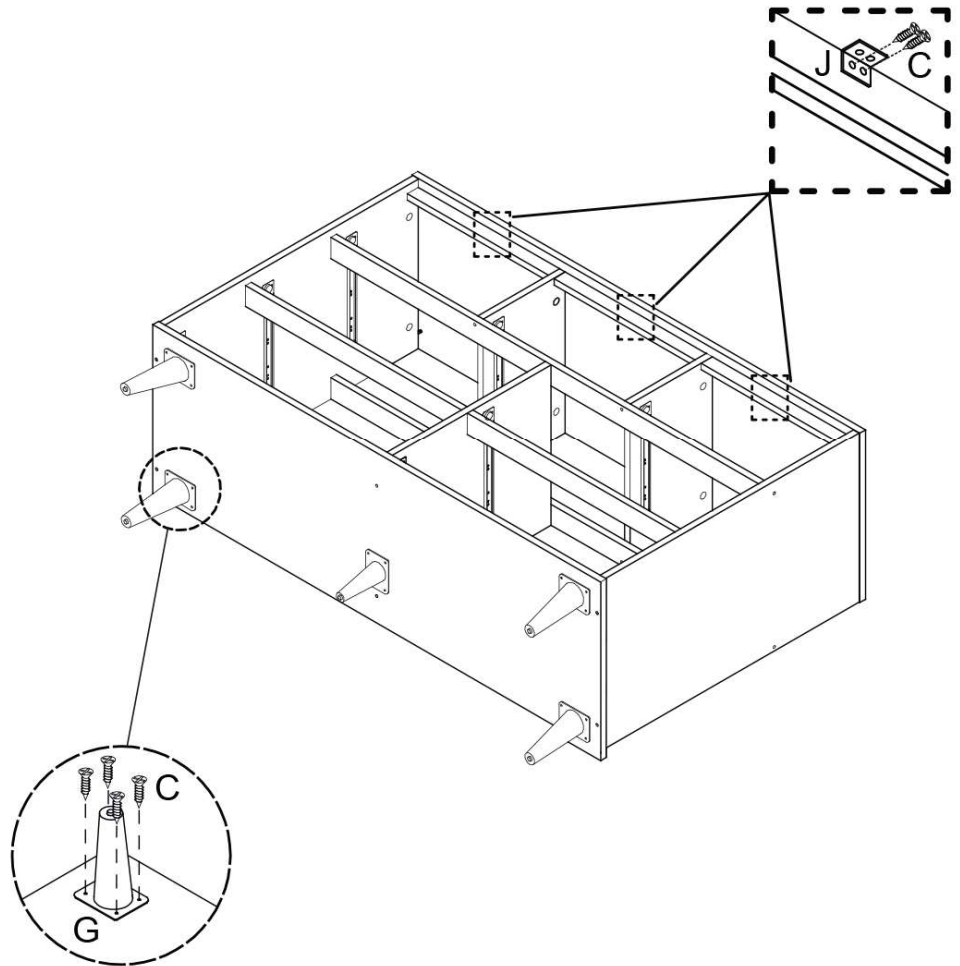
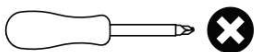


HARDWARE REQUIRED

C  26

G  05

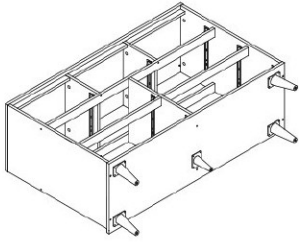
TOOLS REQUIRED



STEP 13

PARTS REQUIRED

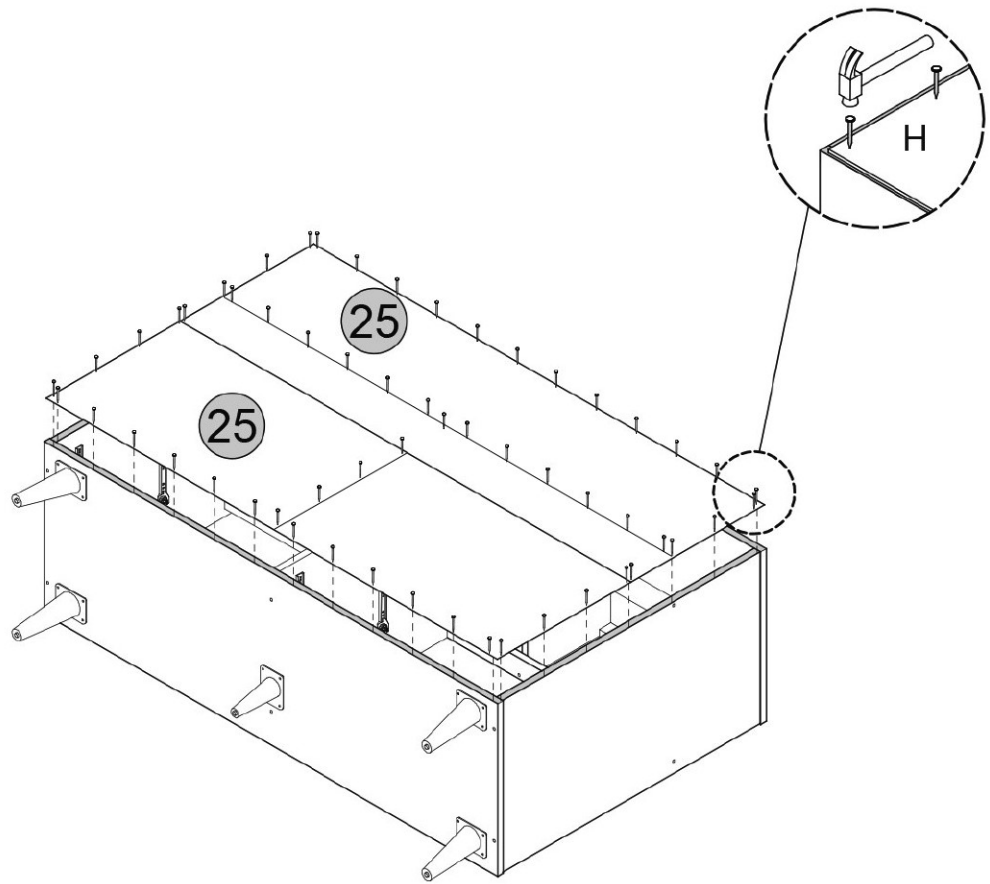
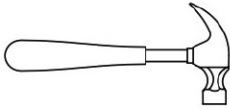
25 - BACK PANEL x2



HARDWARE REQUIRED

H  80

TOOLS REQUIRED



STEP 14

PARTS REQUIRED

19 - TOP LARGE DRAWER FRONT(R) x1

21 - BOTTOM LARGE DRAWER FRONT(L) x1

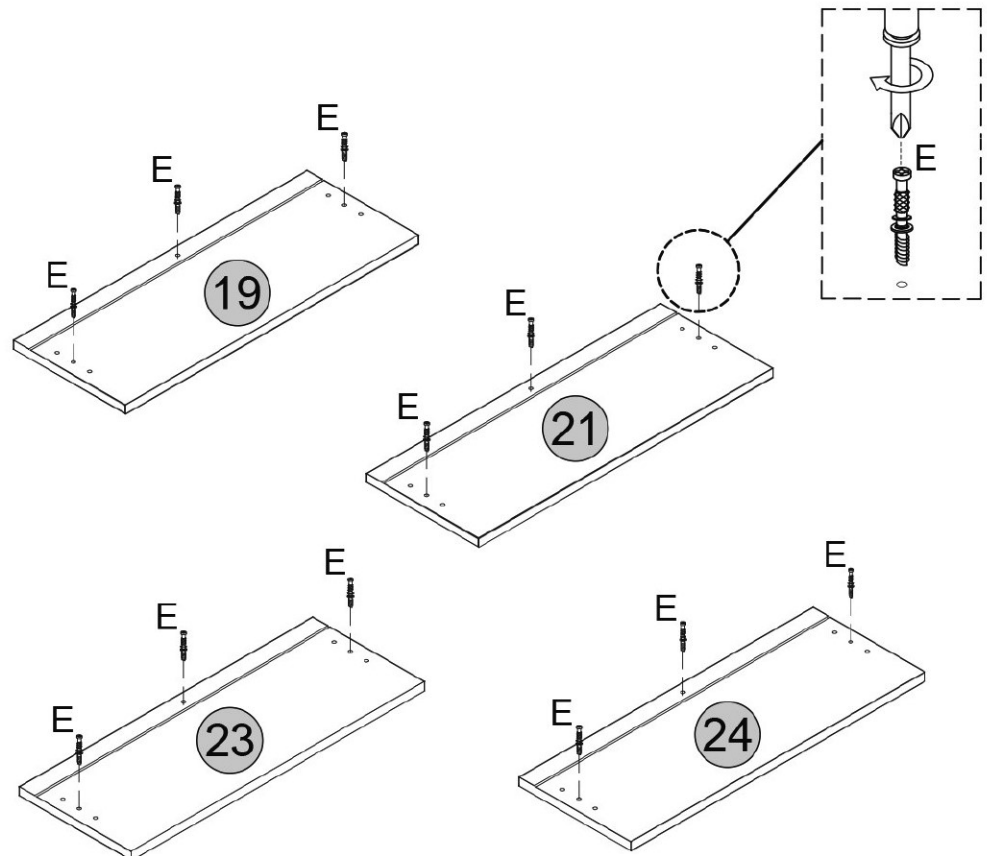
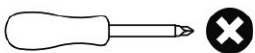
23 - TOP LARGE DRAWER FRONT(L) x1

24 - BOTTOM LARGE DRAWER FRONT(R) x1

HARDWARE REQUIRED

E  12

TOOLS REQUIRED





STEP 15

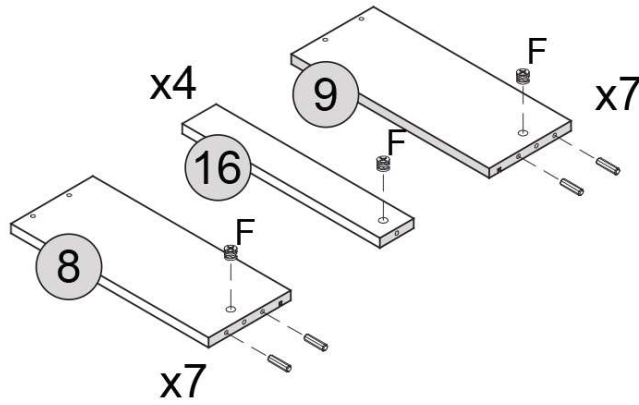
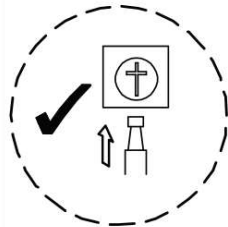
PARTS REQUIRED

8 - RIGHT DRAWER SIDE	x7
9 - LEFT DRAWER SIDE	x7
16 -DRAWER SUPPORT	x4

HARDWARE REQUIRED

A		28
F		18

TOOLS REQUIRED



STEP 16

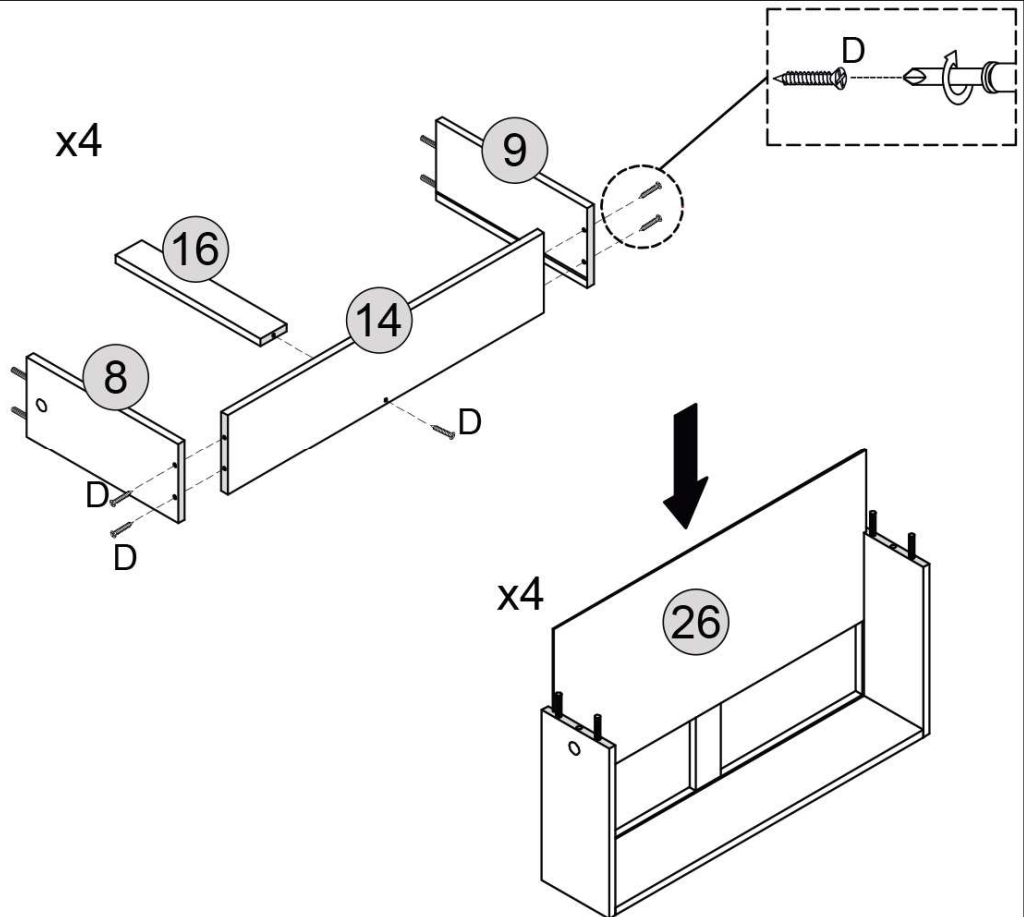
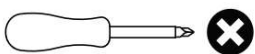
PARTS REQUIRED

8 - RIGHT DRAWER SIDE	x4
9 - LEFT DRAWER SIDE	x4
14 -LARGE DRAWER BACK	x4
16 -DRAWER SUPPORT	x4
26 -LARGE DRAWER BASE	x4

HARDWARE REQUIRED

D		20
---	---	----

TOOLS REQUIRED



STEP 17

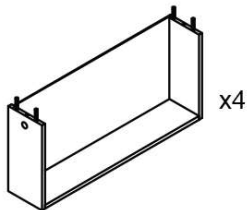
PARTS REQUIRED

19 - TOP LARGE DRAWER FRONT(R) x1

21 - BOTTOM LARGE DRAWER FRONT(L)x1

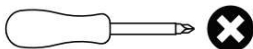
23 - TOP LARGE DRAWER FRONT(L) x1

24 -BOTTOM LARGE DRAWER FRONT(R)x1

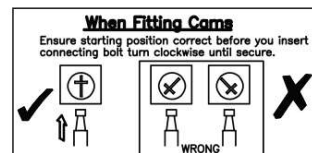
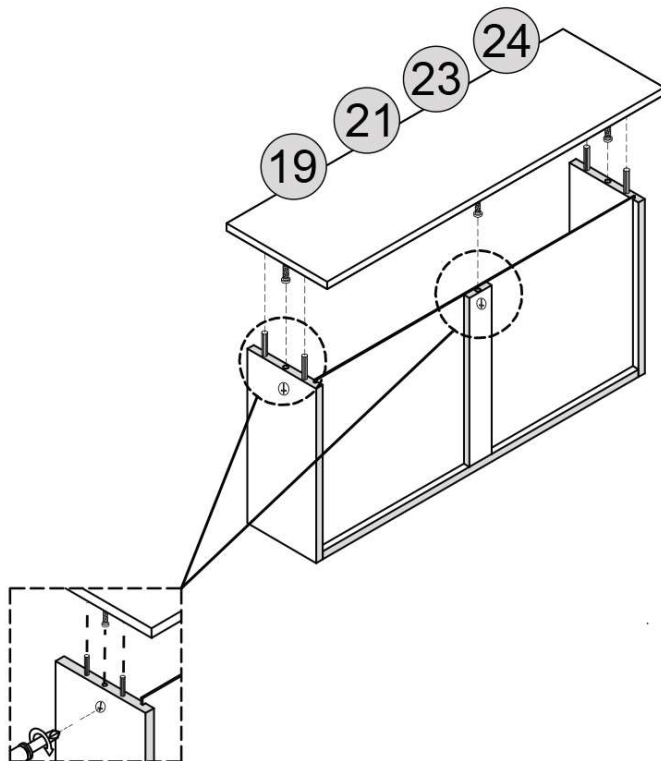


HARDWARE REQUIRED

TOOLS REQUIRED

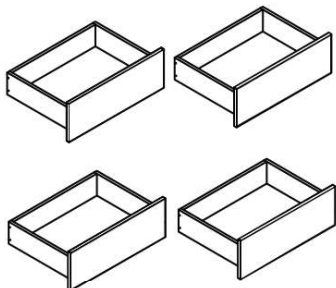


x4



STEP 18

PARTS REQUIRED



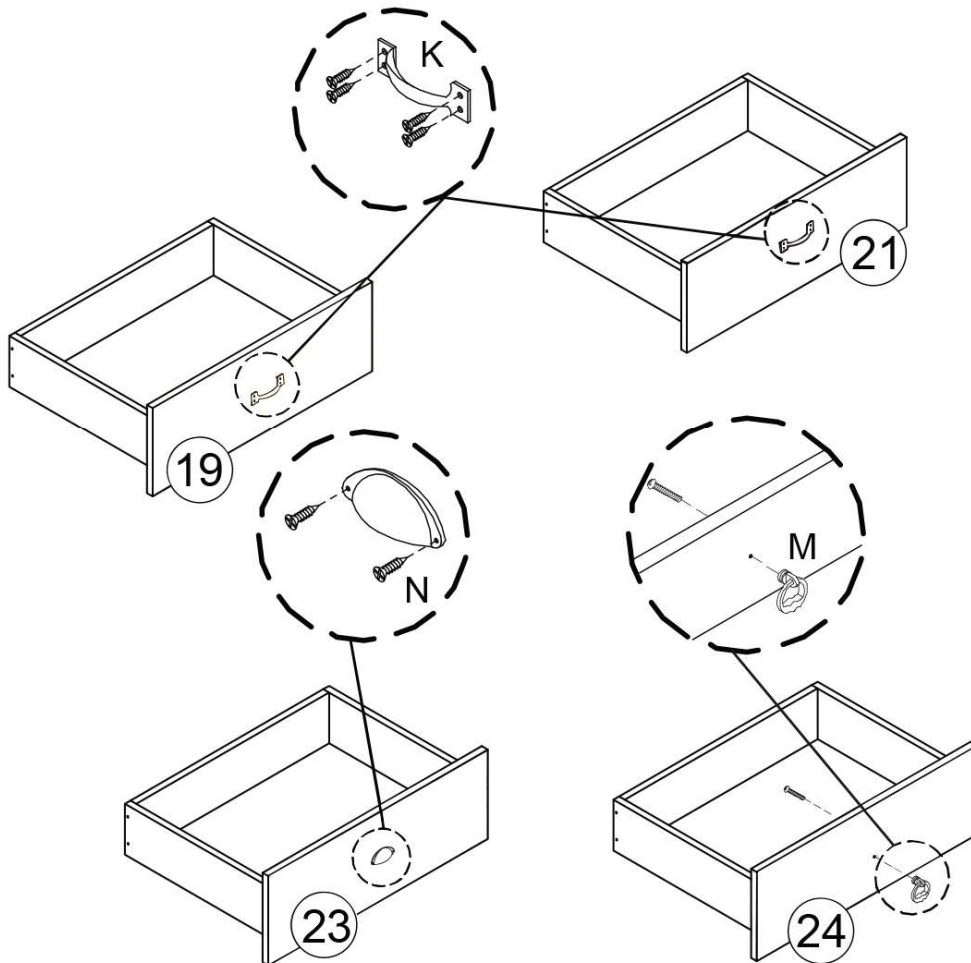
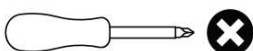
HARDWARE REQUIRED

K  02

M  01

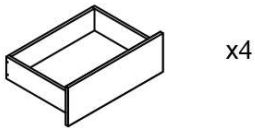
N  01

TOOLS REQUIRED



STEP 19

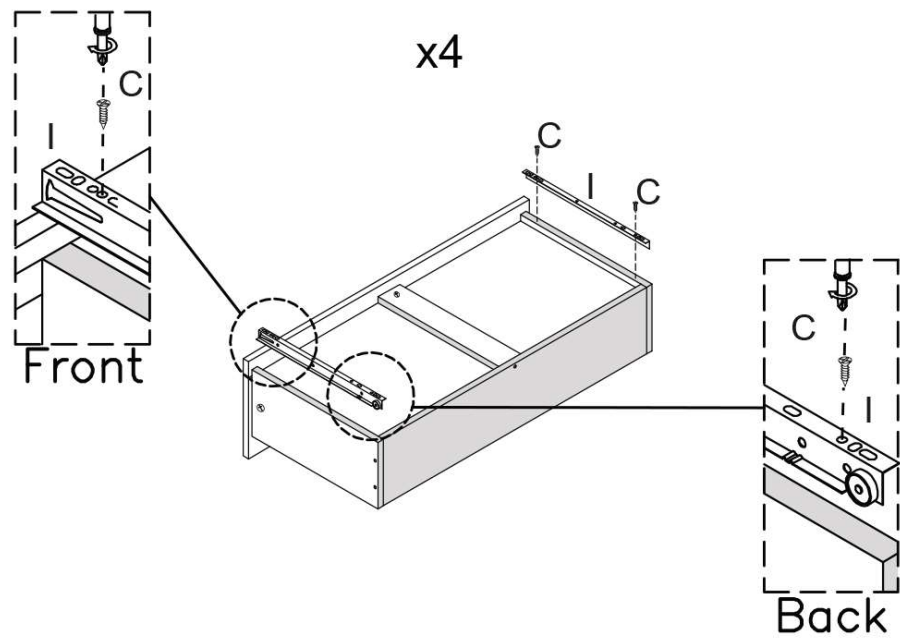
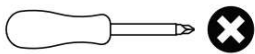
PARTS REQUIRED



HARDWARE REQUIRED



TOOLS REQUIRED



STEP 20

PARTS REQUIRED

8 - RIGHT DRAWER SIDE	x3
-----------------------	----

9 - LEFT DRAWER SIDE	x3
----------------------	----

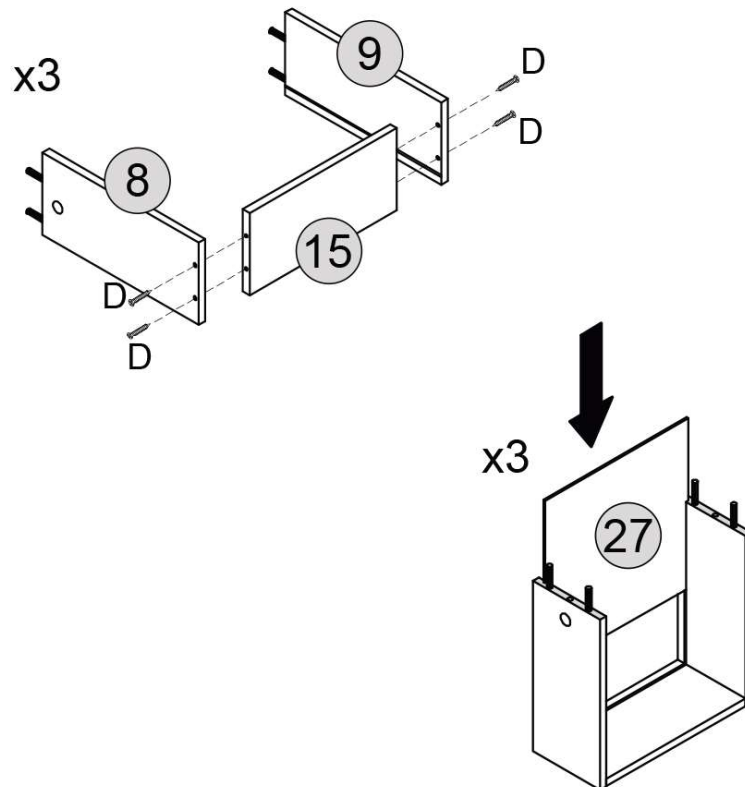
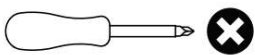
15 - SMALL DRAWER BACK	x3
------------------------	----

27 - SMALL DRAWER BASE	x3
------------------------	----

HARDWARE REQUIRED



TOOLS REQUIRED



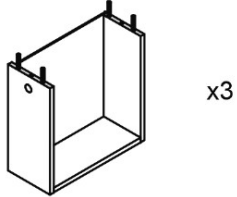
STEP 21

PARTS REQUIRED


18 - SMALL DRAWER FRONT(L) x1

20 - SMALL DRAWER FRONT CENTRE x1

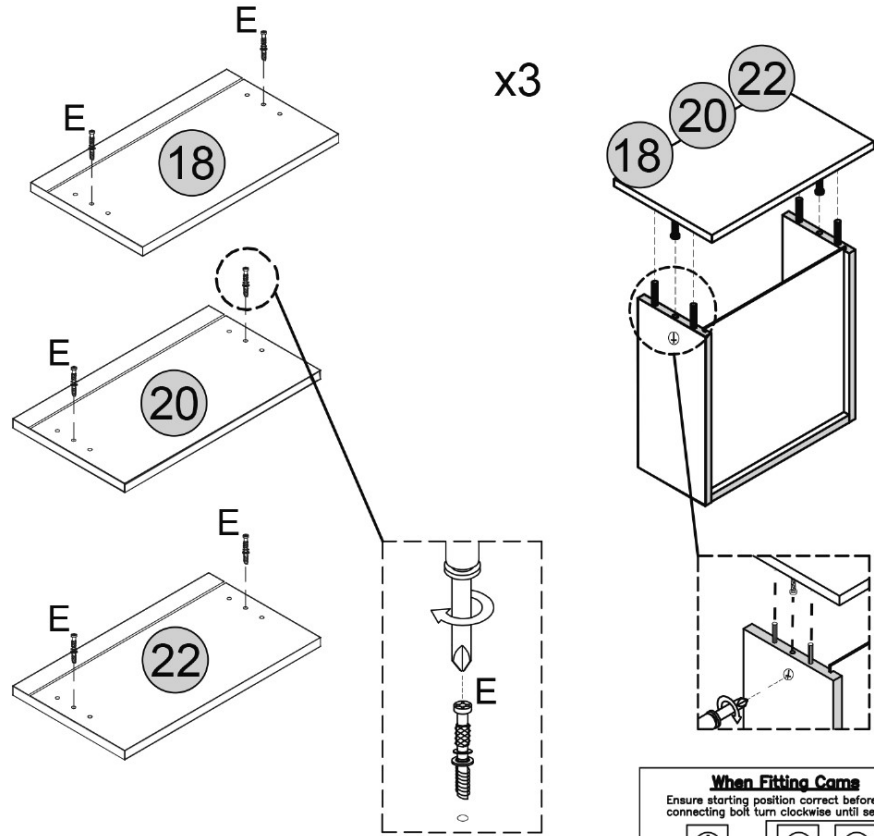
22 - SMALL DRAWER FRONT(R) x1



HARDWARE REQUIRED

E  06

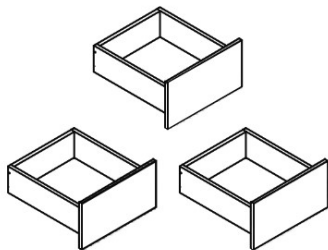
TOOLS REQUIRED




When Fitting Cam
Ensure starting position correct before you insert connecting bolt turn clockwise until secure.

STEP 22

PARTS REQUIRED



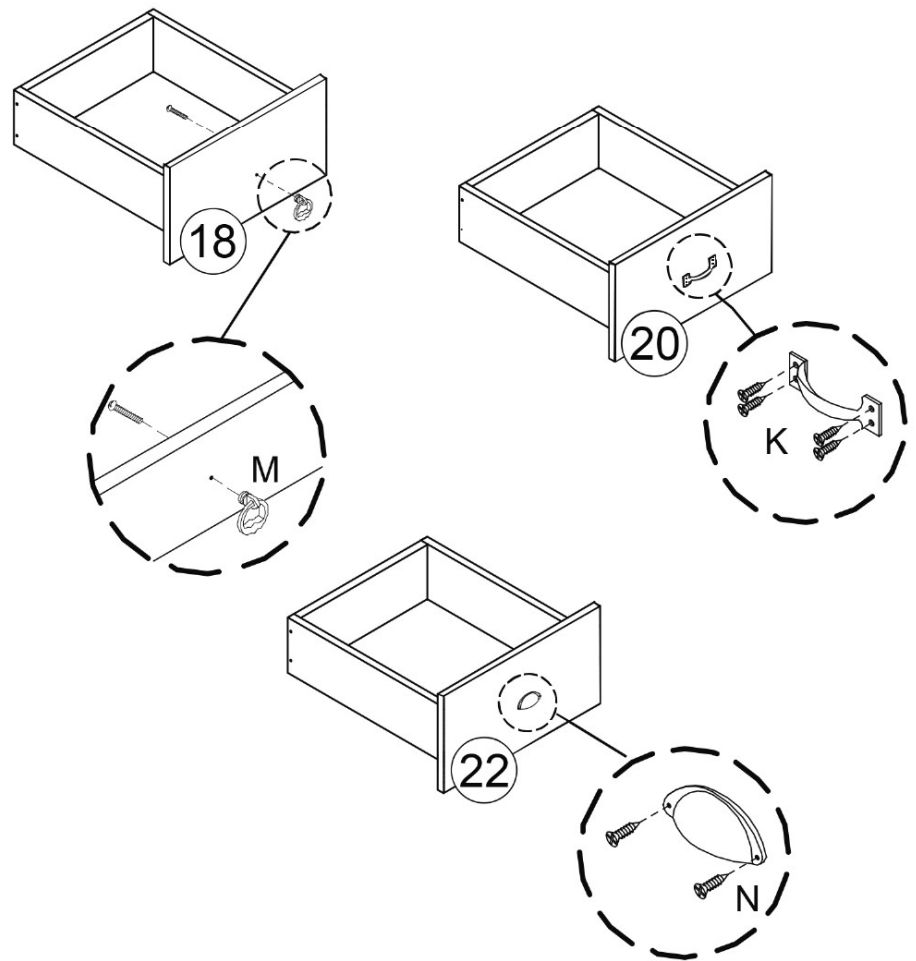
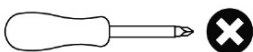
HARDWARE REQUIRED

K  01

M  01

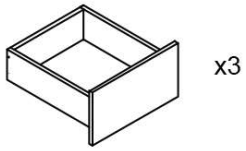
N  01

TOOLS REQUIRED



STEP 23

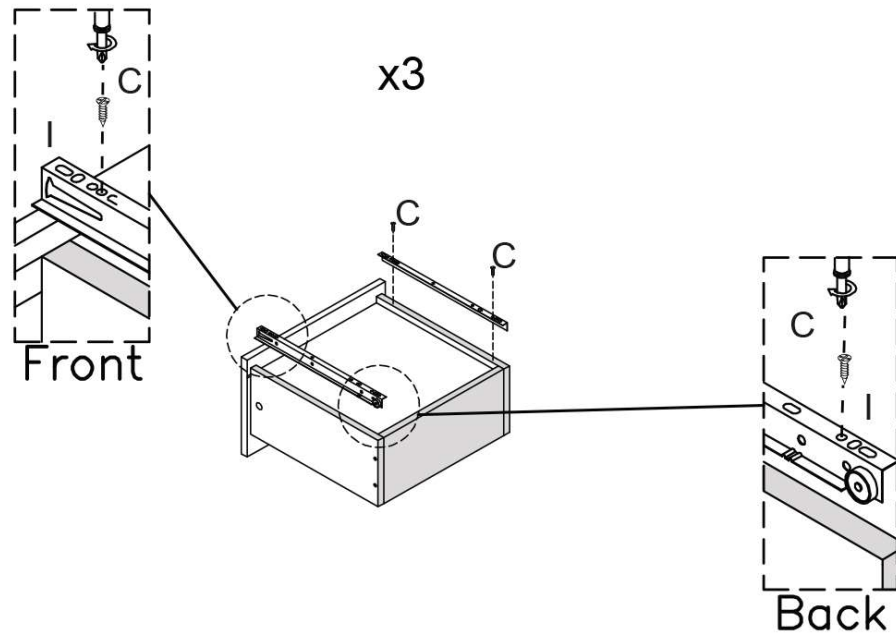
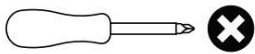
PARTS REQUIRED



HARDWARE REQUIRED

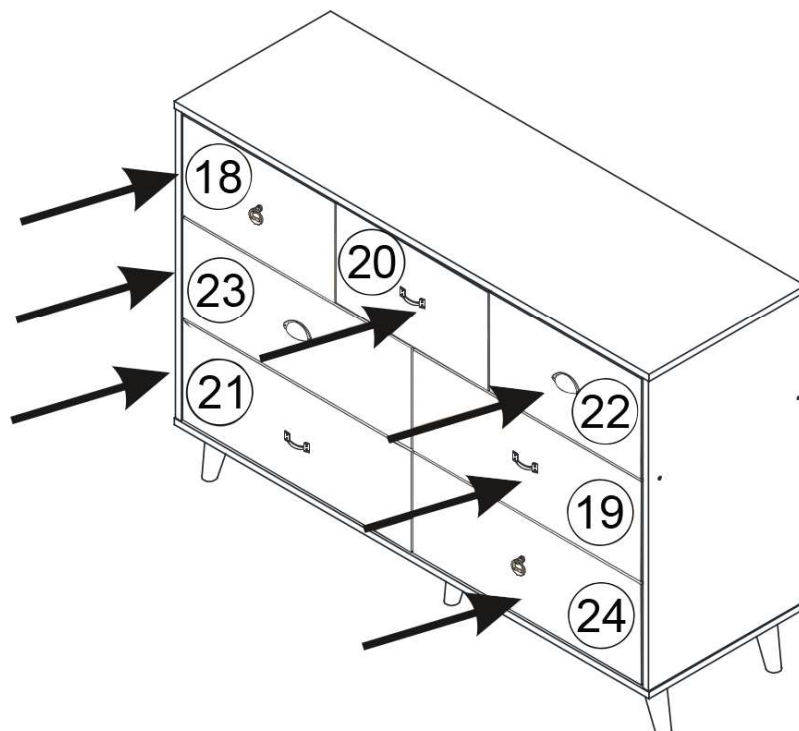
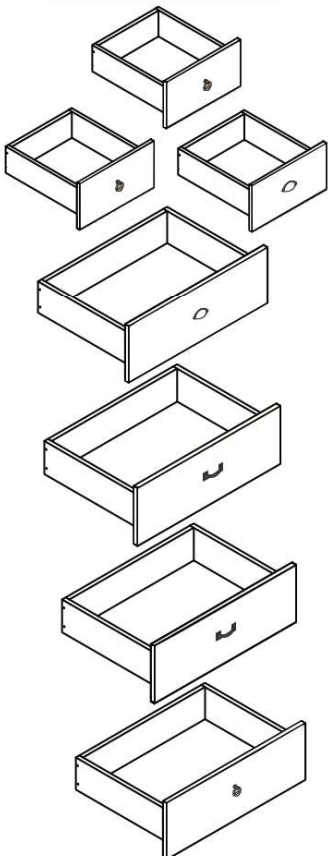


TOOLS REQUIRED



STEP 24

PARTS REQUIRED

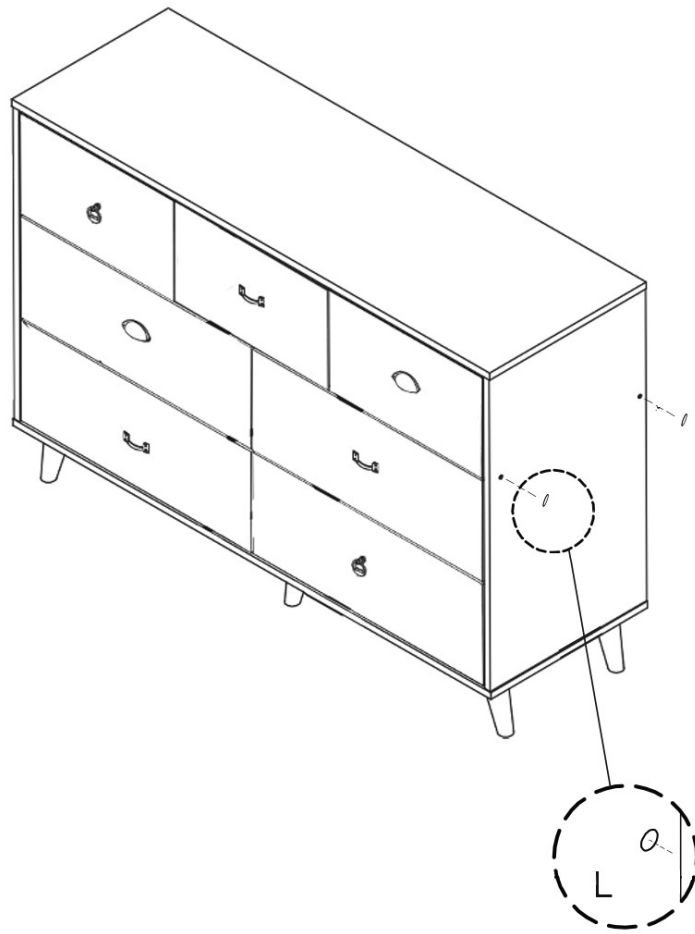


STEP 25

PARTS REQUIRED



HARDWARE REQUIRED



STEP 26

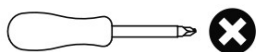
PARTS REQUIRED



HARDWARE REQUIRED



TOOLS REQUIRED



WARNING

Serious or fatal injuries can occur from furniture tipping over. To prevent the furniture from tipping over we recommend that it is permanently fixed to the wall.

Wall fixings are not supplied with this product as different wall materials require different types of fixing devices. Please make sure you use fixings suitable for the walls in your home.

