

# FELIX 3 DRAWER CHEST ASSEMBLY INSTRUCTIONS



## FOR DOMESTIC USE ONLY IMPORTANT

### PLEASE READ BEFORE YOU CONTINUE FURTHER

THE PRODUCT YOU HAVE PURCHASED WILL GIVE YOU MANY YEARS OF SERVICE IF YOU FOLLOW THE GUIDELINES FOR ITS SAFE ASSEMBLY AND PERIODIC MAINTENANCE AND CLEANING

ASSEMBLE ON A SOFT CLEAN SURFACE

DO NOT USE ANY TOOLS OTHER THAN THOSE SHOWN

ANY SPANNERS OR ALLEN KEYS REQUIRED ARE INCLUDED WITH THE FITTING KIT.

DO NOT FOR ANY REASON USE A POWER TOOL TO ASSEMBLE THIS PRODUCT. ITS USE WILL INVALIDATE ANY CLAIM YOU MAY HAVE AND COULD MAKE THIS PRODUCT UNSAFE.

DEPENDING ON THE AMOUNT OF USE THIS PRODUCT RECEIVES, IT MAY BE NECESSARY TO TIGHTEN UP THE FIXINGS FROM TIME TO TIME. THIS IS COMPLETELY NORMAL FOR ANY FLAT PACK FURNITURE. DO NOT OVERTIGHTEN FIXINGS.









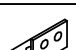

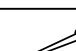
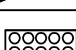

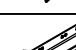
FOR CLEANING, YOU MAY USE A DAMP CLOTH (NOT WET). DO NOT USE POLISH, DETERGENT OR CHEMICAL CLEANERS.

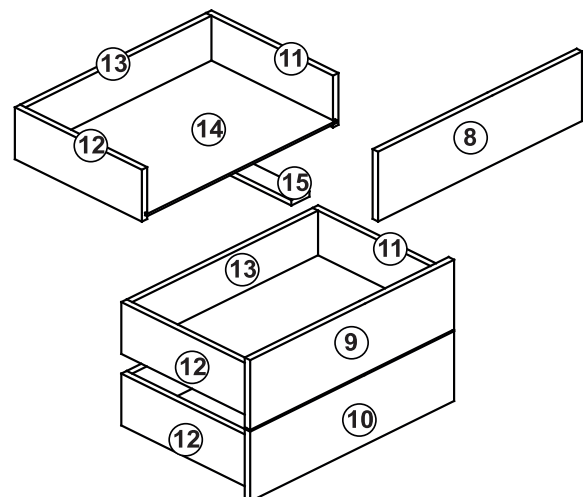
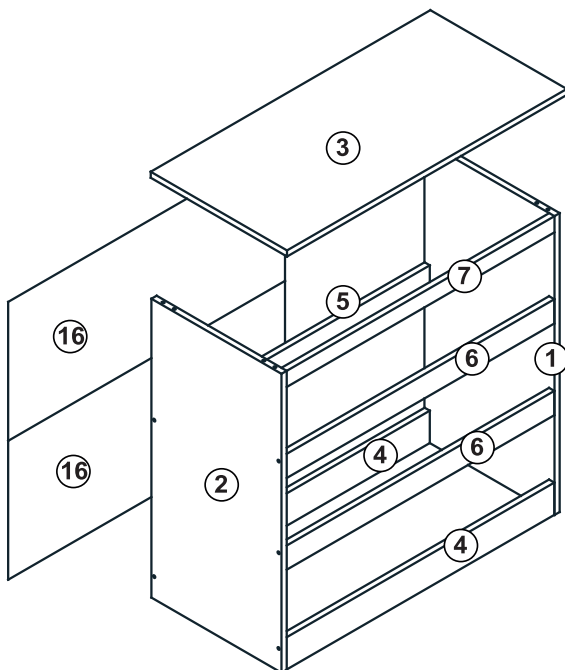
THE SURFACE OF THIS ITEM IS NOT HEAT RESISTANT. ALWAYS USE A PLACE MAT UNDER HOT OR COLD ITEMS TO PREVENT MARKING.

## PART LIST

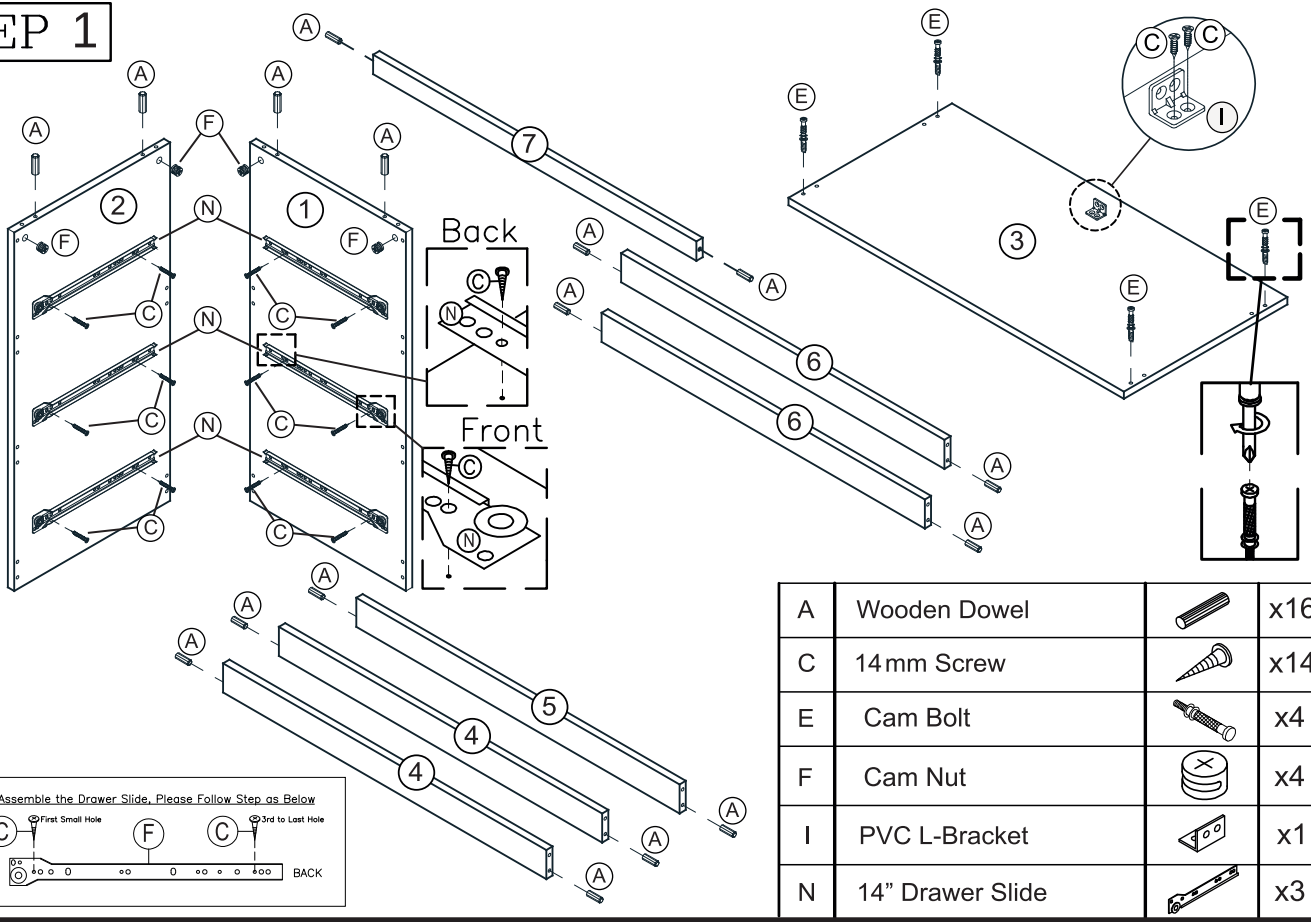
| Carton 01 of 01 |                     |     |
|-----------------|---------------------|-----|
| No.             | Part Name           | Qty |
| 1               | Right Side Panel    | x1  |
| 2               | Left Side Panel     | x1  |
| 3               | Top Panel           | x1  |
| 4               | Leg Panel           | x2  |
| 5               | Back Support Panel  | x1  |
| 6               | Front Support Panel | x2  |
| 7               | Top Support Panel   | x1  |
| 8               | Top Front Drawer    | x1  |
| 9               | Center Front Drawer | x1  |
| 10              | Bottom Front Drawer | x1  |
| 11              | Right Drawer Side   | x3  |
| 12              | Left Drawer Side    | x3  |
| 13              | Drawer Back         | x3  |
| 14              | Drawer Base         | x3  |
| 15              | Drawer Support      | x3  |
| 16              | Back Panel          | x2  |

## HARDWARE LIST

| Carton 01 of 01 |                                  |   |     |
|-----------------|----------------------------------|---|-----|
| No.             | Part Name                        |   | Qty |
| A               | Wooden Dowel (6x25mm)            |    | x28 |
| B               | 45mm Screw (4x45mm)              |    | x10 |
| C               | 14mm Screw (3.5x14mm)            |    | x28 |
| D               | 38mm Screw (4x38mm)              |    | x15 |
| E               | Cam Bolt (8032T)                 |    | x13 |
| F               | Cam Nut (1512)                   |    | x13 |
| G               | Handle (AL96mm)                  |    | x3  |
| H               | 20mm Handle Screw                |    | x6  |
| I               | PVC L-Bracket                    |    | x1  |
| J               | Plastic Foot                     |  | x4  |
| K               | 6/8" Nail                        |  | x30 |
| L               | Screw Cover (Sticker 12mm)       |  | x10 |
| M               | Wall Fixings (4x20mm=1pc)        |  | x1  |
| N               | 14" Drawer Slide (0.9mm) W (vkt) |  | x3  |



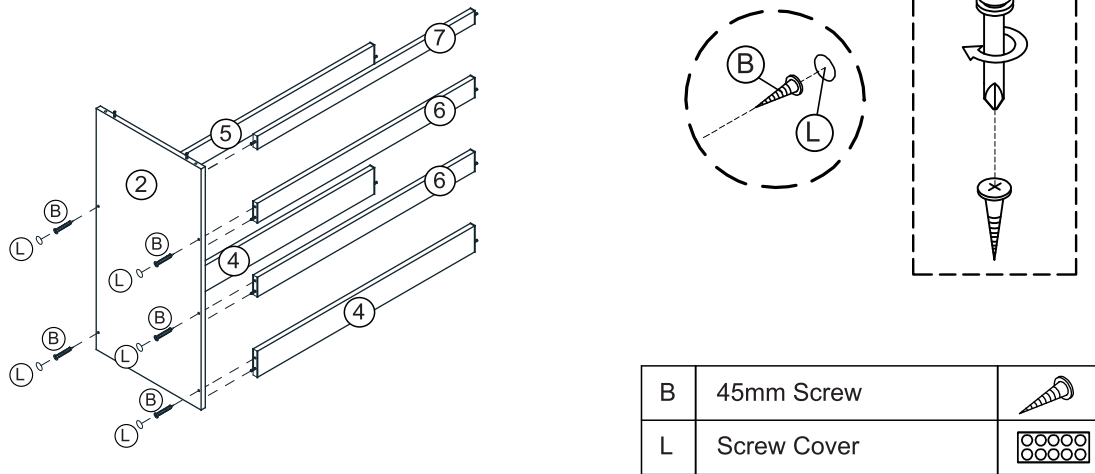
**STEP 1**



|   |                  |  |     |
|---|------------------|--|-----|
| A | Wooden Dowel     |  | x16 |
| C | 14mm Screw       |  | x14 |
| E | Cam Bolt         |  | x4  |
| F | Cam Nut          |  | x4  |
| I | PVC L-Bracket    |  | x1  |
| N | 14" Drawer Slide |  | x3  |

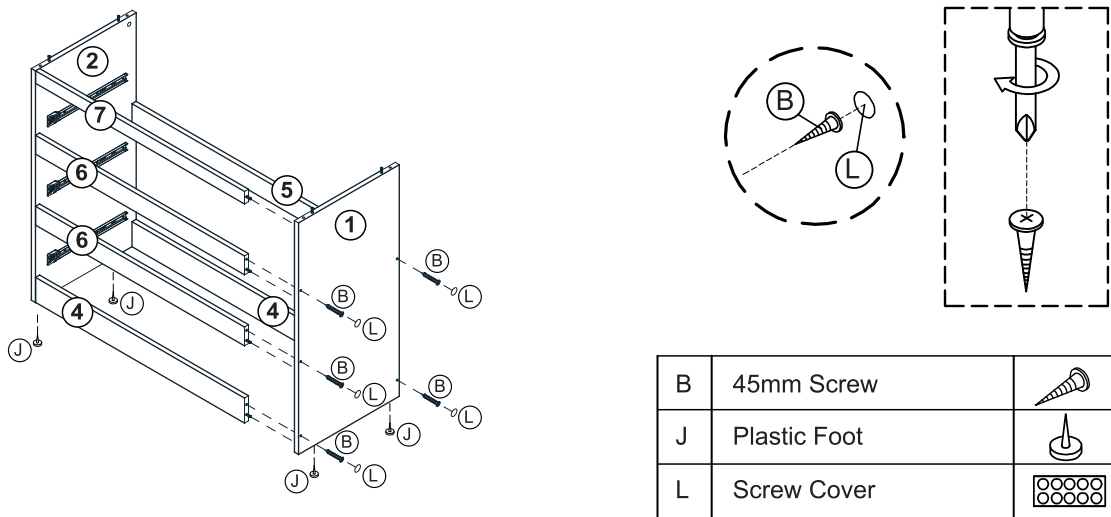
To Assemble the Drawer Slide, Please Follow Step as Below

**STEP 2**



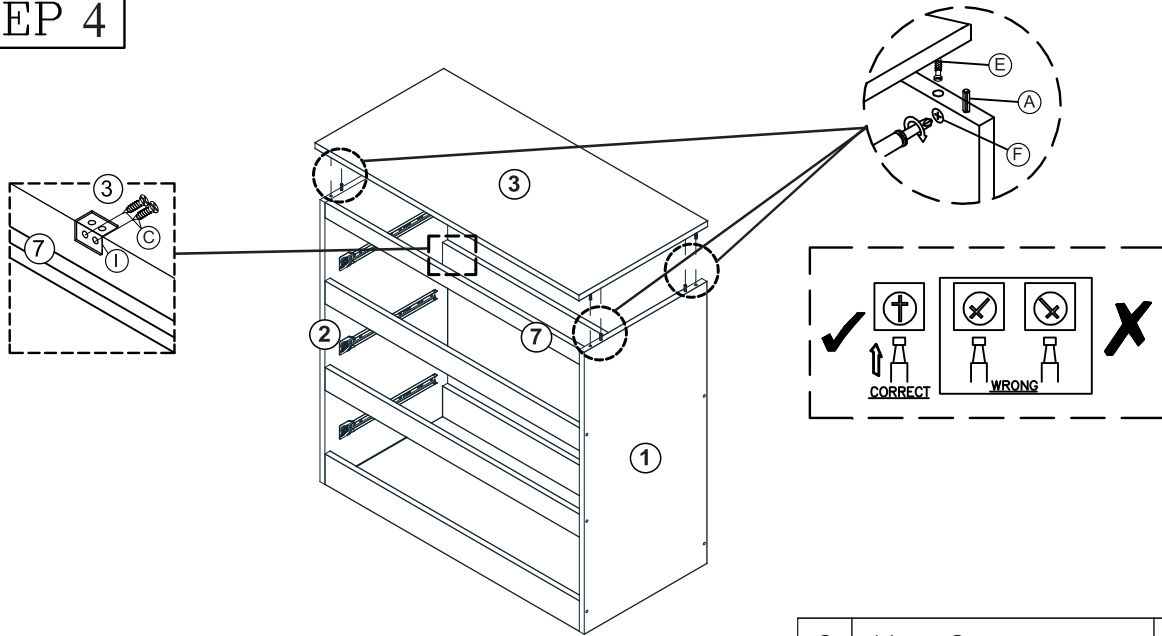
|   |             |  |    |
|---|-------------|--|----|
| B | 45mm Screw  |  | x5 |
| L | Screw Cover |  | x5 |

**STEP 3**



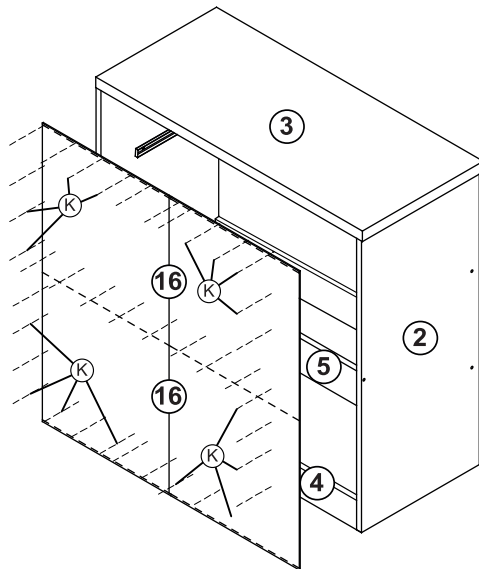
|   |              |  |    |
|---|--------------|--|----|
| B | 45mm Screw   |  | x5 |
| J | Plastic Foot |  | x4 |
| L | Screw Cover  |  | x5 |

STEP 4



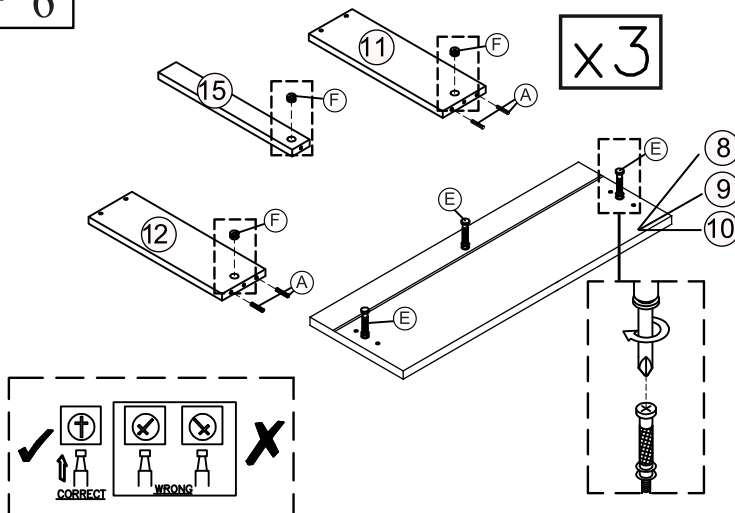
|   |             |   |    |
|---|-------------|---|----|
| C | 14 mm Screw |  | x2 |
|---|-------------|---|----|




STEP 5



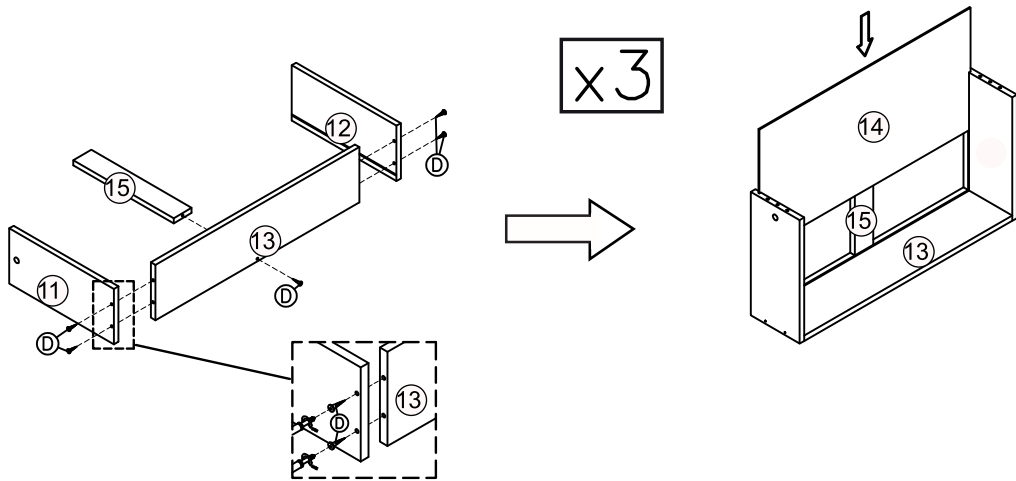
|   |           |   |     |
|---|-----------|---|-----|
| K | 6/8" Nail |  | x30 |
|---|-----------|---|-----|

STEP 6



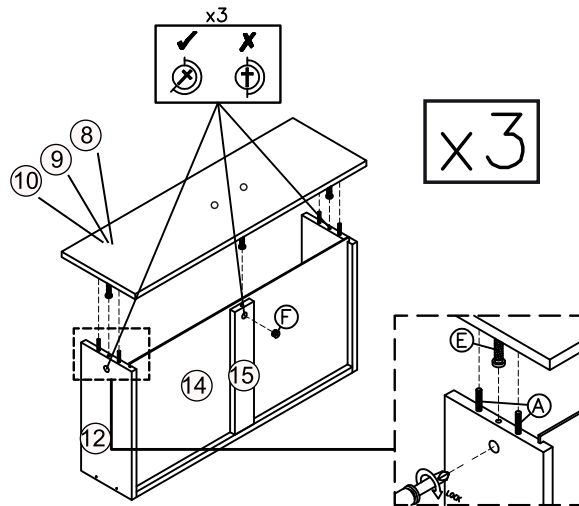
|   |              |   |     |
|---|--------------|---|-----|
| A | Wooden Dowel |  | x12 |
| E | Minifix Bolt |  | x9  |
| F | Cam Nut      |  | x9  |

STEP 7

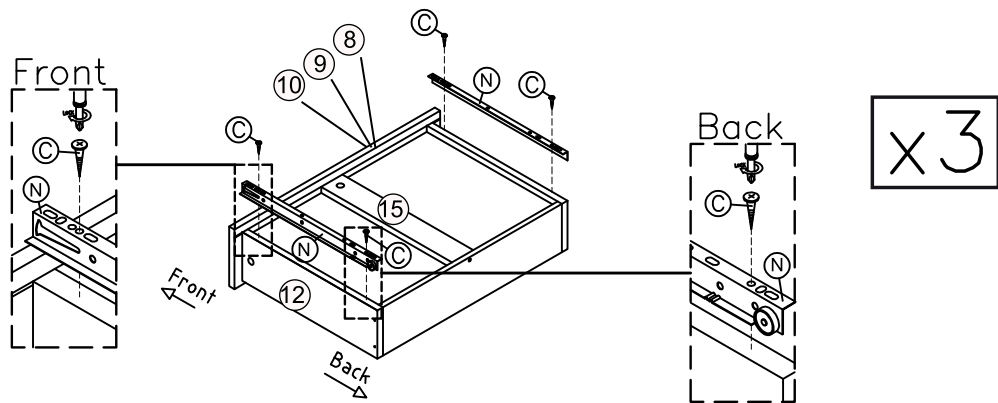


|   |            |  |     |
|---|------------|--|-----|
| D | 38mm Screw |  | x15 |
|---|------------|--|-----|

STEP 8

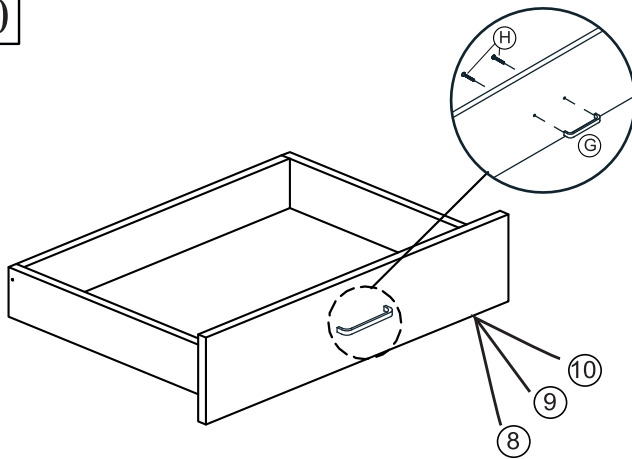


STEP 9





|   |                  |  |     |
|---|------------------|--|-----|
| C | 14mm Screw       |  | x12 |
| N | 14" Drawer Slide |  | x3  |

**STEP 10**



x3

|   |               |   |    |
|---|---------------|---|----|
| G | Handle (96mm) |  | x3 |
| H | Handle Screw  |  | x6 |


**STEP 10**


**WARNING**

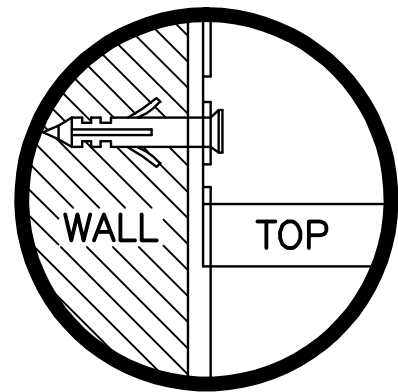
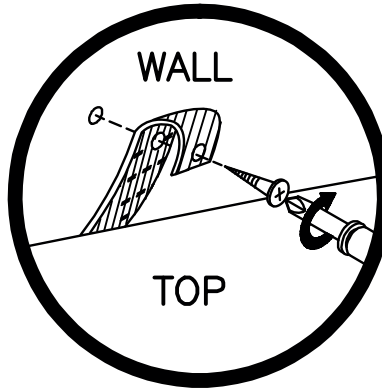
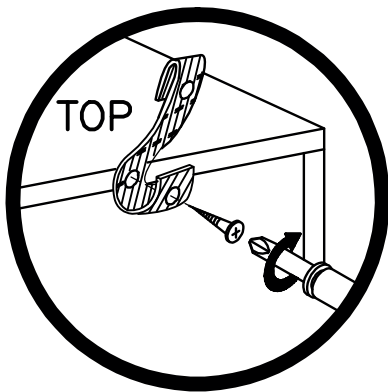
**Serious or fatal injuries can occur from furniture tipping over. To prevent the furniture from tipping over we recommend that it is permanently fixed to the wall.**

Wall fixings are not supplied with this product as different wall materials require different types of fixing devices. Please make sure you use fixings suitable for the walls in your home.

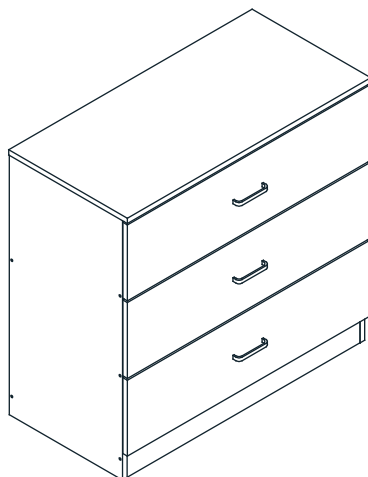
**HARDWARE LIST**

**M**  Anti-Tip Strap – 1pc

 Screw 20 mm – 1pc



**STEP 12**



**FINISH**