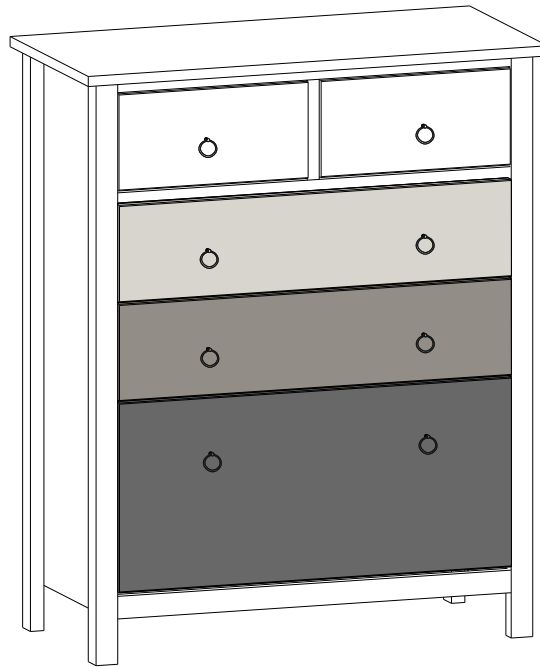


VERMONT 3+2 DRAWER CHEST ASSEMBLY INSTRUCTIONS



IMPORTANT

FOR DOMESTIC USE ONLY

PLEASE READ BEFORE YOU CONTINUE FURTHER

CARE AND MAINTENANCE

After unpacking this product please keep the original packaging in case it needs to be returned for any reason.

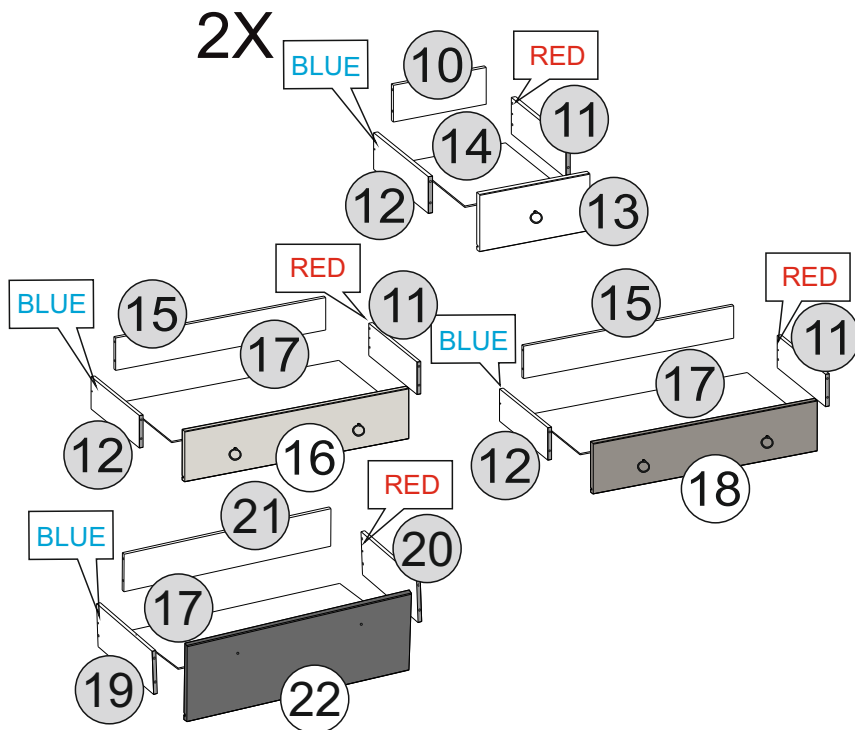
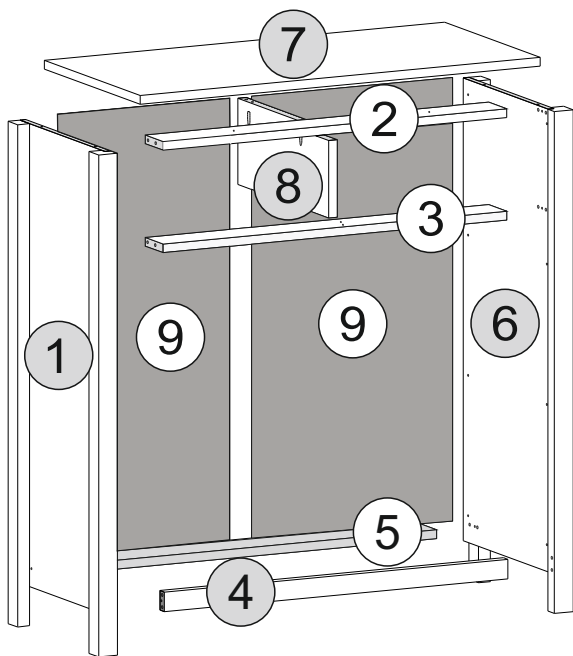
- Please ensure all fittings and parts are present before commencing with assembly.
- Never drag or push products as this could cause damage to the joints making it inferior.
- We strongly recommend that you keep children away from your work area.
- We recommend that you lay a blanket or sheet on the floor to avoid damage to both your floor and the product.
- Assemble this product as close to its final position as possible.
- Do not place this product next to a radiator or in direct sunlight.
- Do not drag or push items across your high gloss furniture as this may cause the surface to scratch
- Wood is a natural product and may expand if subjected to damp and may shrink or crack if subjected to heat. Therefore it is recommended that room temperature is maintained, with no sudden temperature fluctuations.
- Make sure any spillage is wiped off immediately.
- Do not place hot or chilled items directly on to the surface, use a place mat or marking will occur.
- For general cleaning use a soft cotton or micro fibre cloth, and do not use detergents of any kind.
- From time to time it may be necessary to tighten fittings, regular inspections should be carried out.
- Do not place on a wet or damp floor as staining may occur to your floor.



* Use of power tools to assemble this product will invalidate any claim and could damage this product making it unsafe!!!
 * Please assemble on a clean soft surface to avoid damage.



* Please check contents and read the instructions before commencing assembly.
 * Assemble this product following the enclosed instructions carefully.
 * Please take care to avoid damaging parts during assembly.









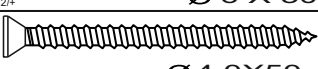

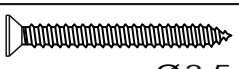

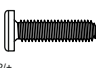

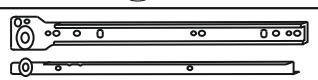


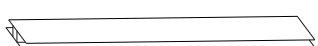


PART LIST

Please Note:

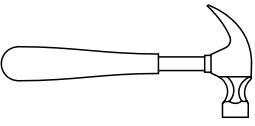
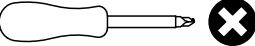

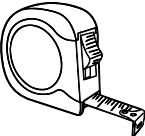
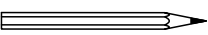
The below parts have all been stamped with the part number/color to help identify them during assembly.

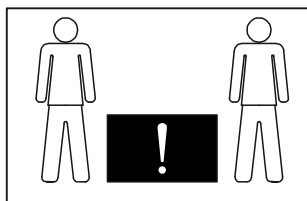
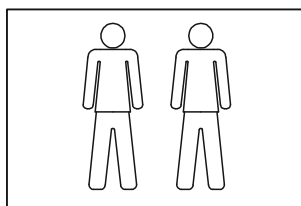
Part Number	Part Code	Part Description	Quantity	Carton
1	S100-102-110-SP1-01	Left Side Panel	1	1/2
2	S100-102-110-SP1-02	Top Crossbar	1	1/2
3	S100-102-110-SP1-03	Middle Crossbar	1	1/2
4	S100-102-110-SP1-04	Botom Crossbar	1	1/2
5	S100-102-110-SP1-05	Back Crossbar	1	1/2
6	S100-102-110-SP1-06	Right Side Panel	1	1/2
7	S100-102-110-SP1-07	Top Panel	1	1/2
8	S100-102-110-SP1-08	Division	1	2/2
9	S100-102-110-SP1-09	Back Panel	2	1/2
10	S100-102-110-SP1-10	Small Drawer Back Panel	2	2/2
11	S100-102-110-SP1-11	Small/Medium Drawer Right Side (Red)	4	2/2
12	S100-102-110-SP1-12	Small/Medium Drawer Left Side (Blue)	4	2/2
13	S100-102-110-SP1-13	Small Drawer Front (White)	2	2/2
14	S100-102-110-SP1-14	Small Drawer Base	2	2/2
15	S100-102-110-SP1-15	Medium Drawer Back Panel	2	2/2
16	S100-102-110-SP1-16	Medium Drawer Front (Light Grey)	1	2/2
17	S100-102-110-SP1-17	Medium/Large Drawer Base	3	1/2
18	S100-102-110-SP1-18	Medium Drawer Front (Mid Grey)	1	2/2
19	S100-102-110-SP1-19	Large Drawer Left Side (Blue)	1	2/2
20	S100-102-110-SP1-20	Large Drawer Right Side (Red)	1	2/2
21	S100-102-110-SP1-21	Large Drawer Back Panel	1	2/2
22	S100-102-110-SP1-22	Large Drawer Front (Dark Grey)	1	2/2

FITTINGS LIST

A	 GLUE	02	G	 CH PHS ZP 3/16X3/4	08	M	 Ø 3,5 X 16	30
B	 Ø 6 X 30	63	H		98	N		06
C	 Ø 4,0X50	07	I	 43 mm	14	O	 Ø 3,5 X 30	14
D		08	J	 Ø 3,5 X 10	56	P	 Anti-tip strap	01
E		05	K	 Ø 6 X 8	20		 Washer	02
F		01	L	 Ø 3,5 X 35	04		 Ø 3,5 x 25	01

TOOLS REQUIRED



STEP 1

PARTS REQUIRED


2 - TOP CROSSBAR x1

3 - MIDDLE CROSSBAR x1

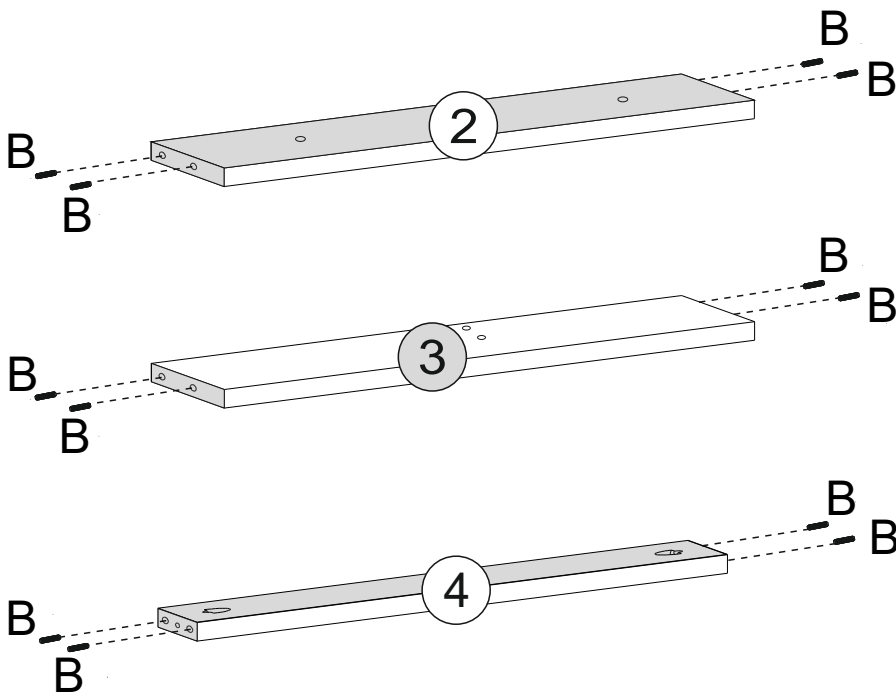
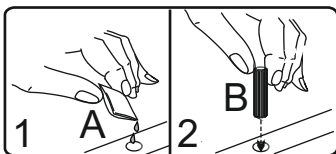
4 - BOTTOM CROSSBAR x1

HARDWARE REQUIRED

A  01

B  Ø6 x 30 12

TOOLS REQUIRED



STEP 2

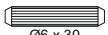
PARTS REQUIRED

5 - BACK CROSSBAR x1

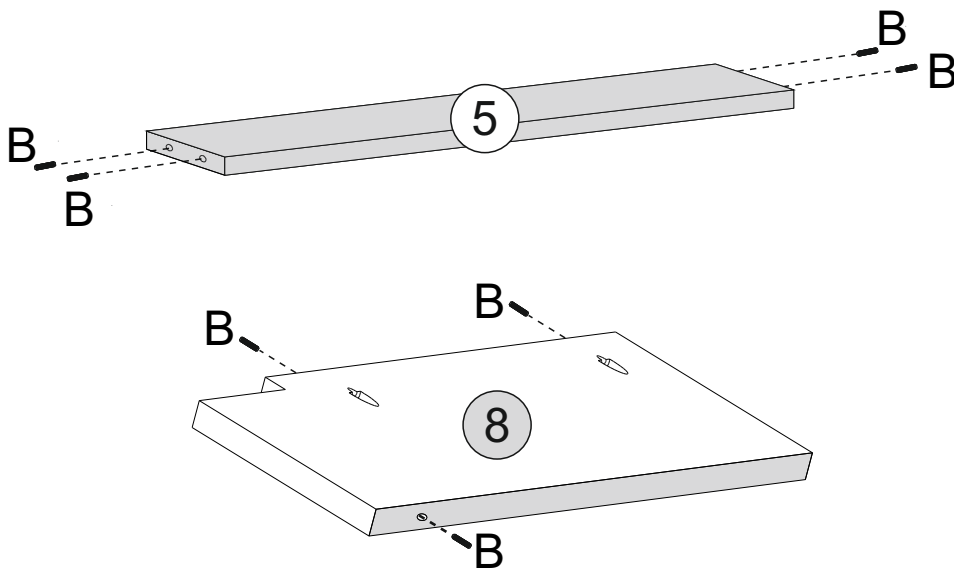
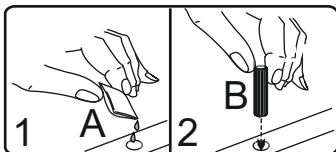
8 - DIVISION x1

HARDWARE REQUIRED

A  01

B  Ø6 x 30 07

TOOLS REQUIRED





STEP 3

PARTS REQUIRED

8 - DIVISION x1

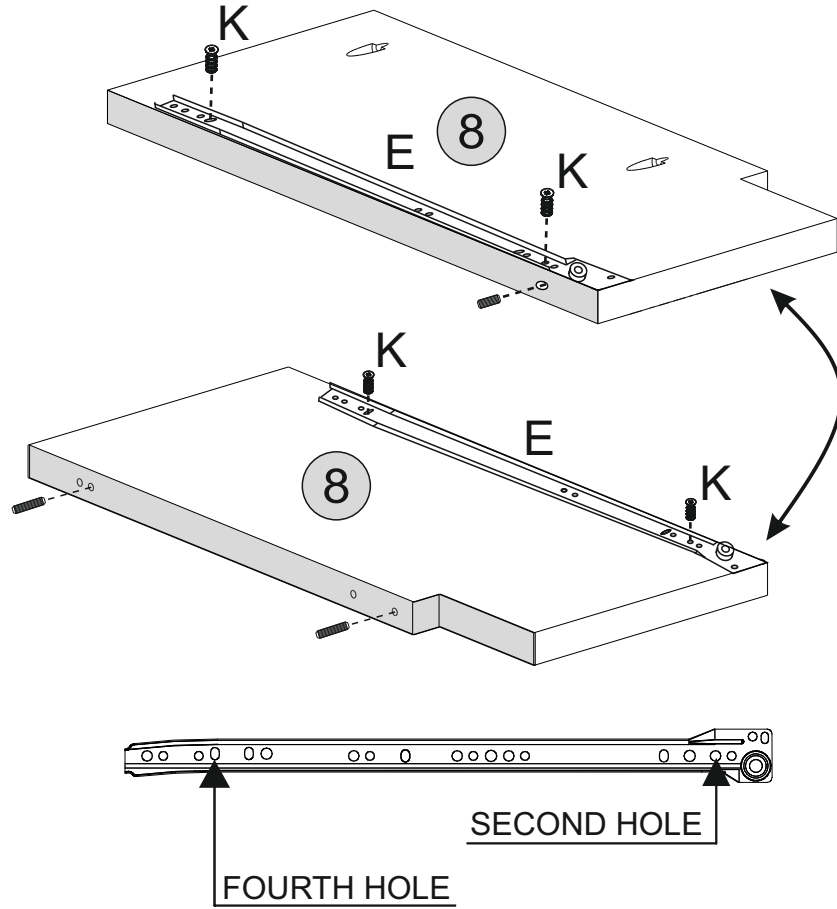
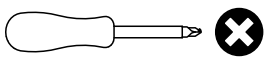
HARDWARE REQUIRED

E  01

E  01

K  Ø6 x 8 04

TOOLS REQUIRED



STEP 4

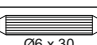
PARTS REQUIRED

1 - LEFT SIDE PANEL x1


6 - RIGHT SIDE PANEL x1

HARDWARE REQUIRED

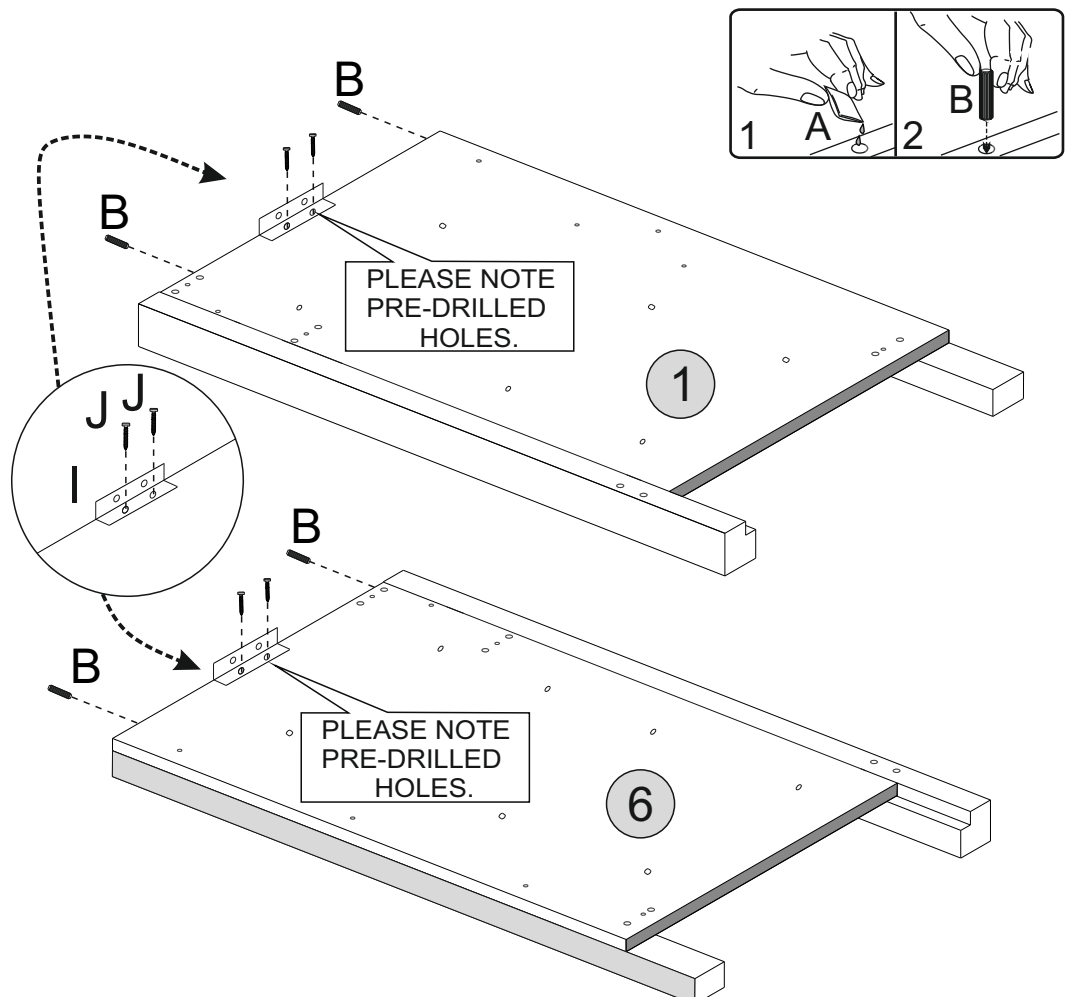
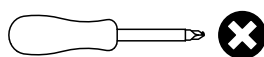
A  01

B  Ø6 x 30 04

I  02

J  Ø3,5 x 10 04

TOOLS REQUIRED




STEP 5

PARTS REQUIRED

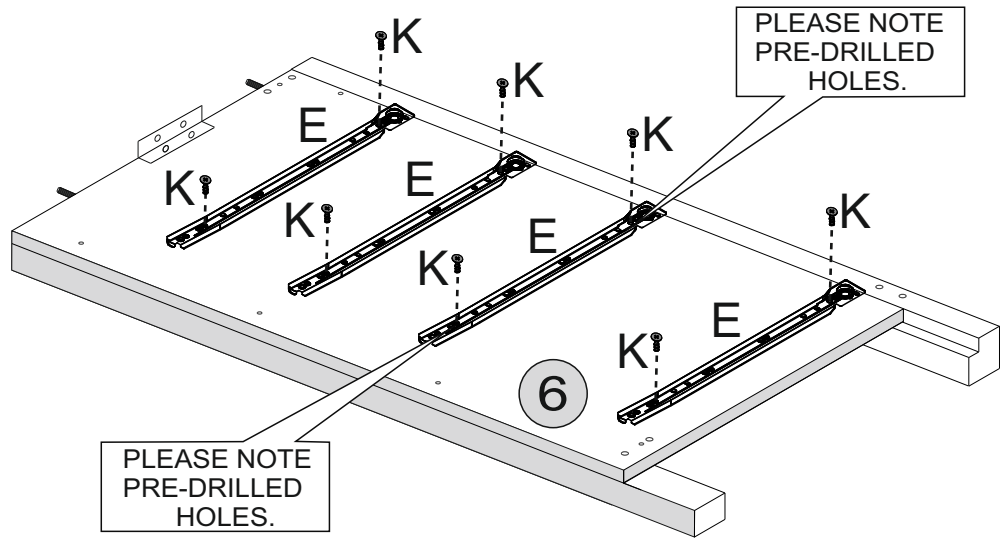
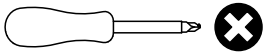
6 - RIGHT SIDE PANEL x1

HARDWARE REQUIRED

E  04

K  08
Ø6 x 8

TOOLS REQUIRED



PLEASE NOTE PRE-DRILLED HOLES.

PLEASE NOTE PRE-DRILLED HOLES.




STEP 6

PARTS REQUIRED

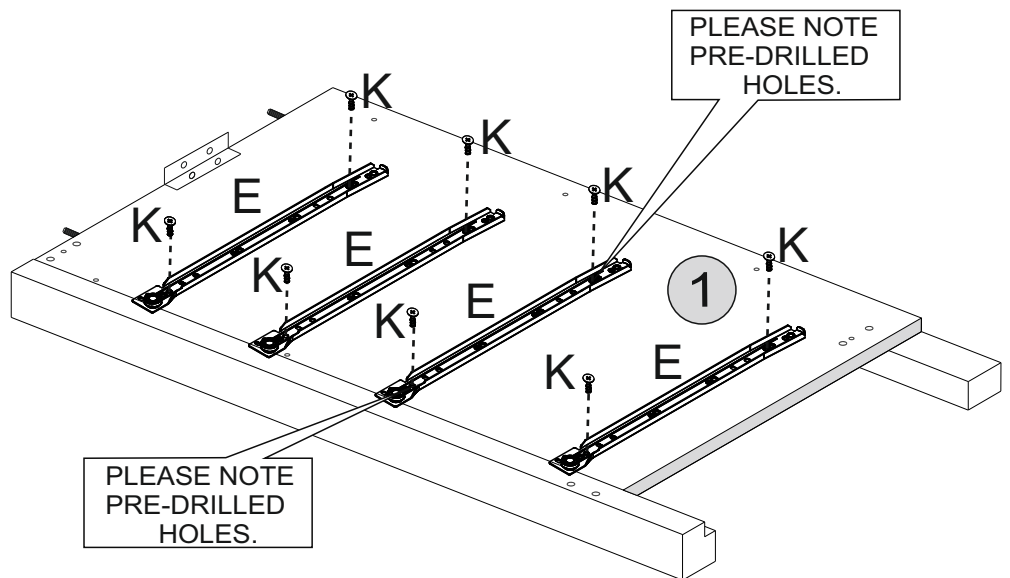
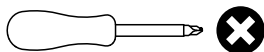
1 - LEFT SIDE PANEL x1

HARDWARE REQUIRED

E  04

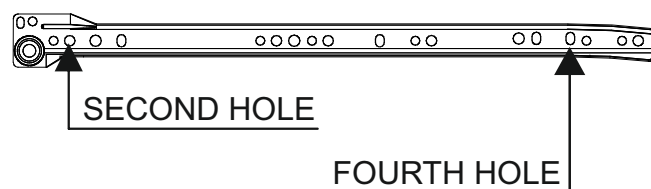
K  08
Ø6 x 8

TOOLS REQUIRED



PLEASE NOTE PRE-DRILLED HOLES.

PLEASE NOTE PRE-DRILLED HOLES.



STEP 7

PARTS REQUIRED

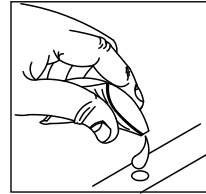
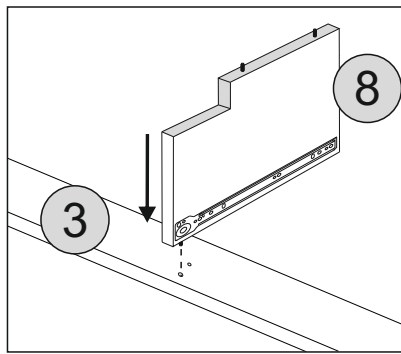
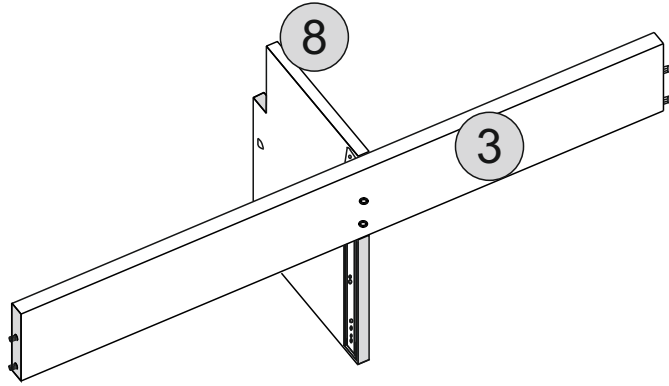
3 - MIDDLE CROSSBAR x1

8 - DIVISION x1

HARDWARE REQUIRED

A  01

TOOLS REQUIRED



!
Glue must be added to the dowel holes on part 3.

STEP 8

PARTS REQUIRED

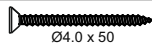
1 - LEFT SIDE PANEL x1

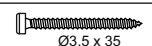
4 - BOTTOM CROSSBAR x1

5- BACK CROSSBAR x1

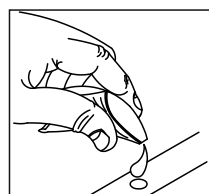
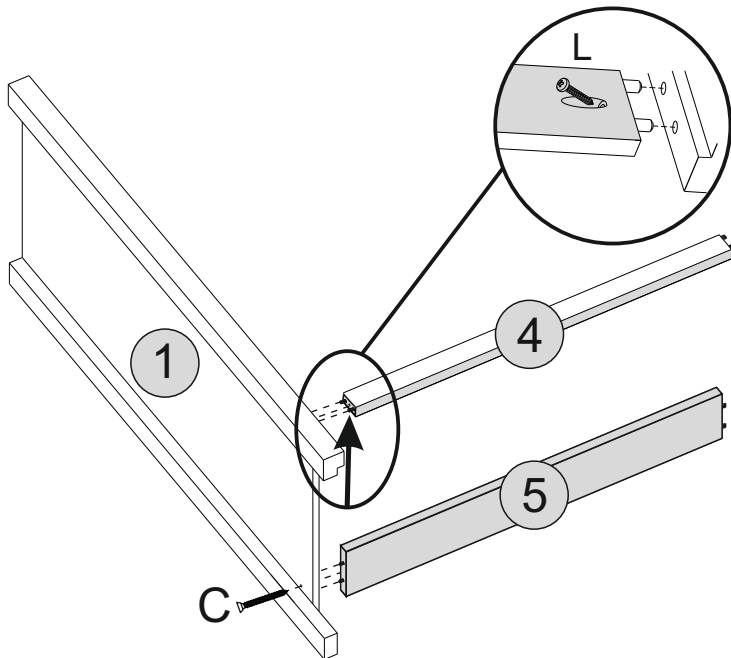
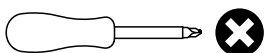
HARDWARE REQUIRED

A  01

C  01
Ø4.0 x 50

L  01
Ø3.5 x 35

TOOLS REQUIRED



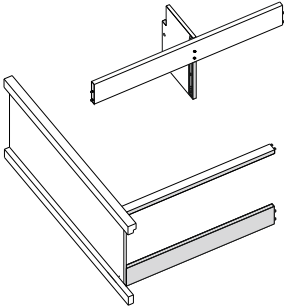
!
Glue must be added to the dowel holes on part 1.

STEP 9

PARTS REQUIRED

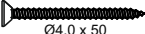
2 - TOP CROSSBAR x1

6 - RIGHT SIDE PANEL x1

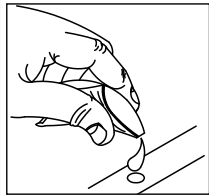
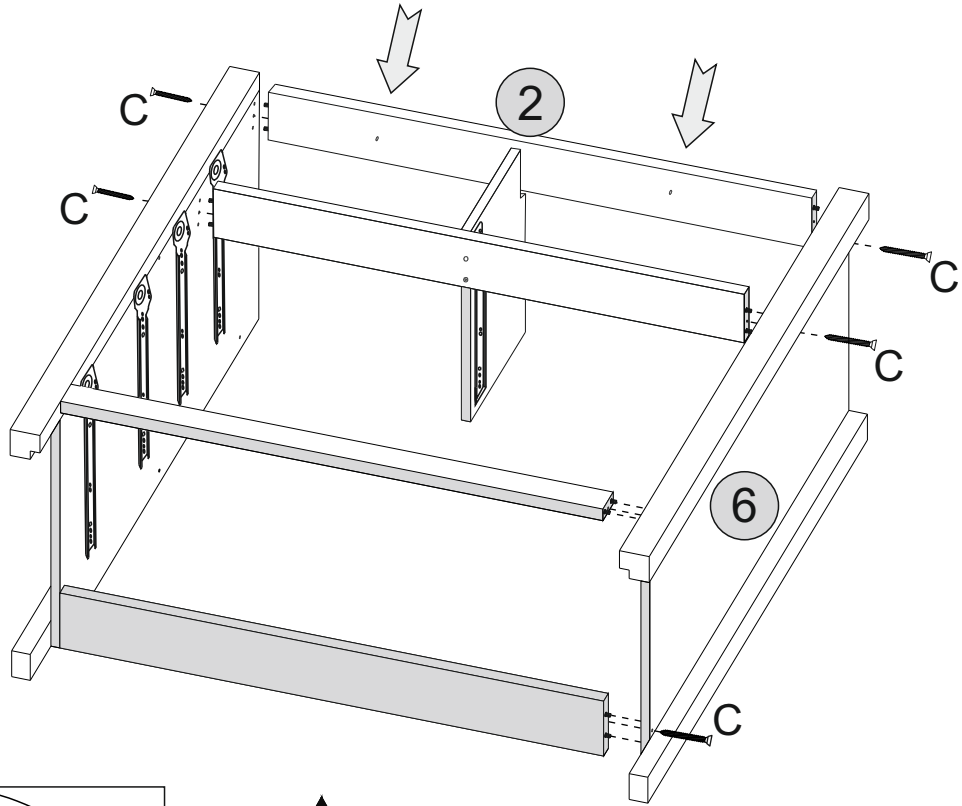
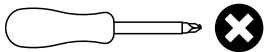


HARDWARE REQUIRED

A  01

C  Ø4.0 x 50 05

TOOLS REQUIRED

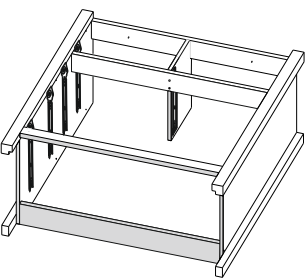


!
Glue must be added to the dowel holes on part 1 & 6.

STEP 10

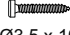
PARTS REQUIRED

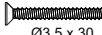
7 - TOP PANEL x1



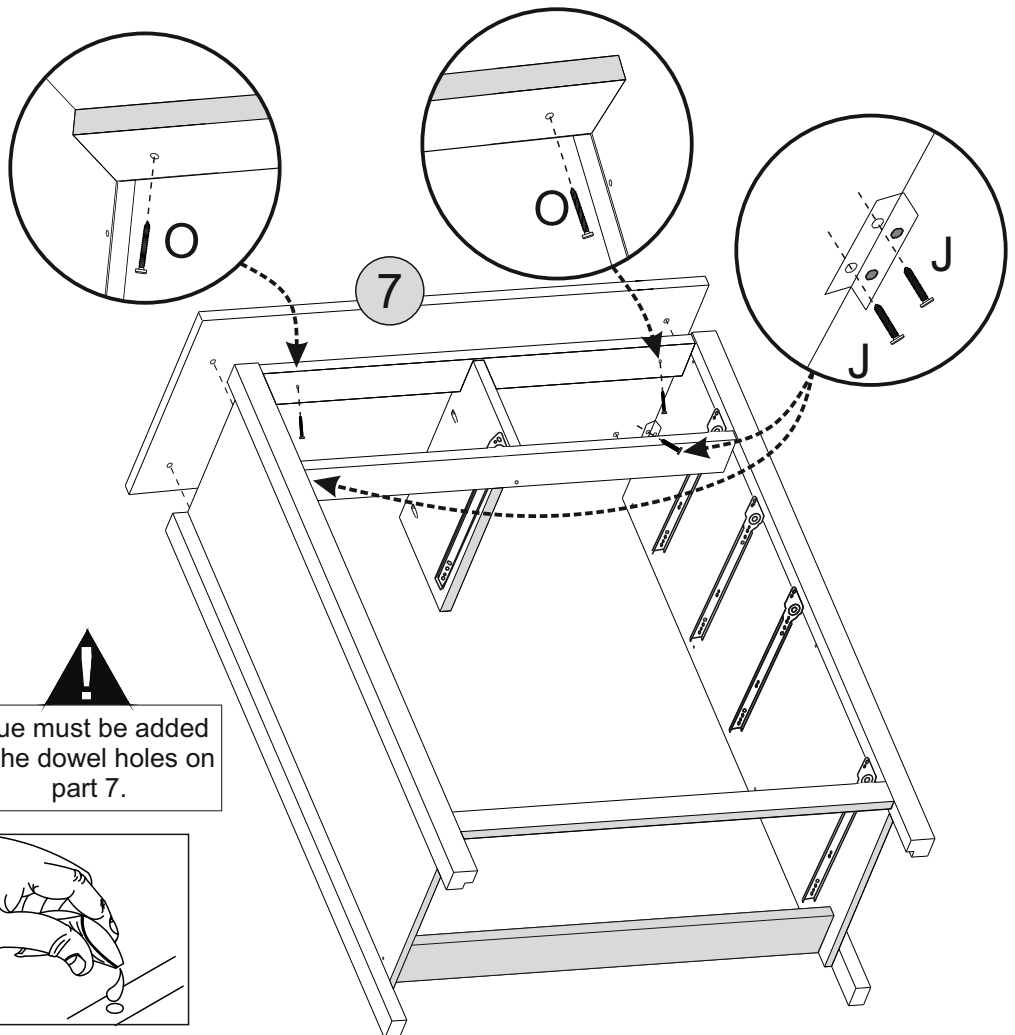
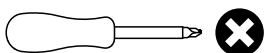
HARDWARE REQUIRED

A  01

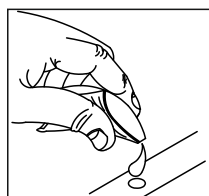
J  Ø3.5 x 10 04

O  Ø3.5 x 30 02

TOOLS REQUIRED

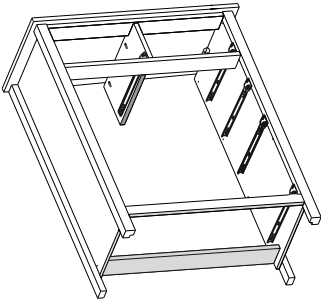


!
Glue must be added to the dowel holes on part 7.

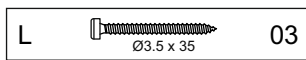
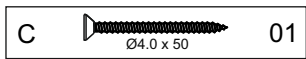


STEP 11

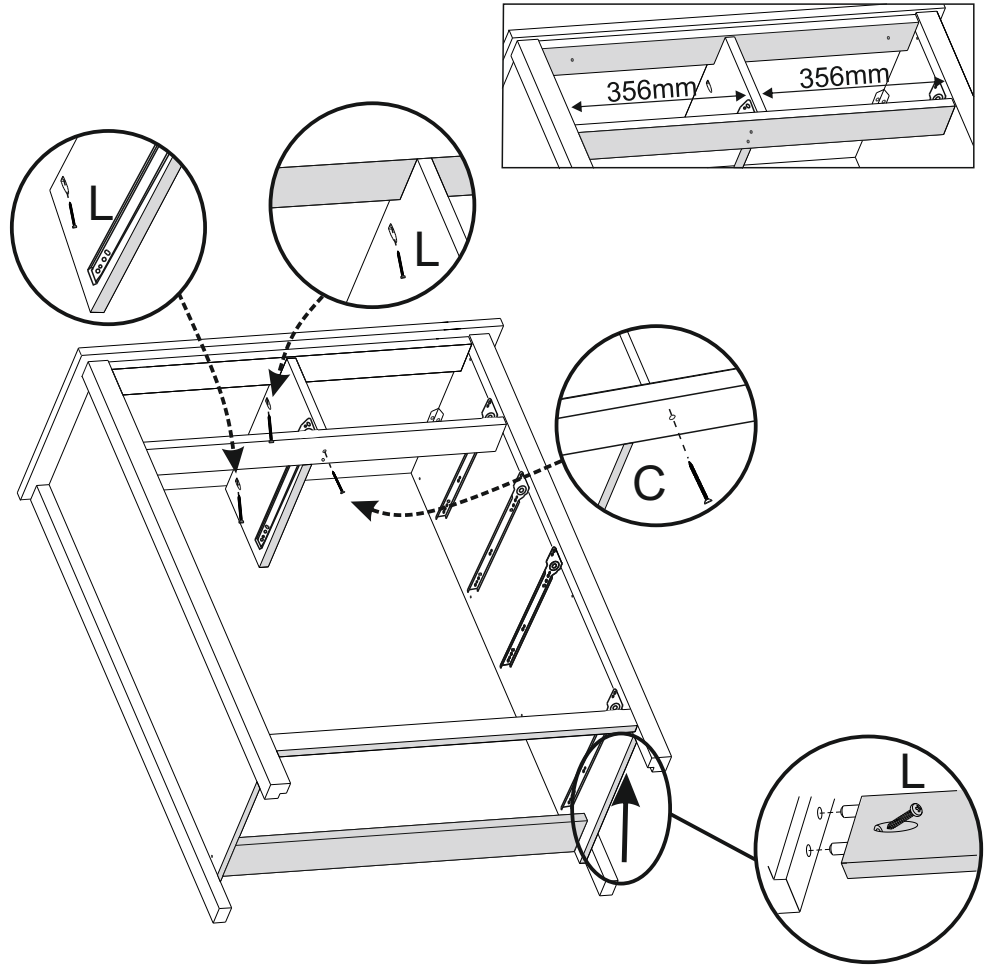
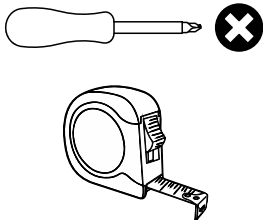
PARTS REQUIRED



HARDWARE REQUIRED



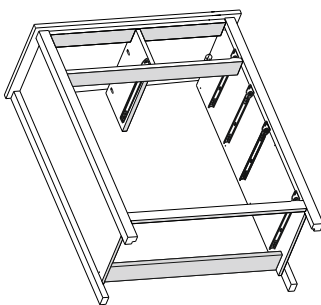
TOOLS REQUIRED



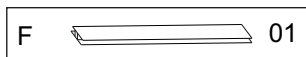
STEP 12

PARTS REQUIRED

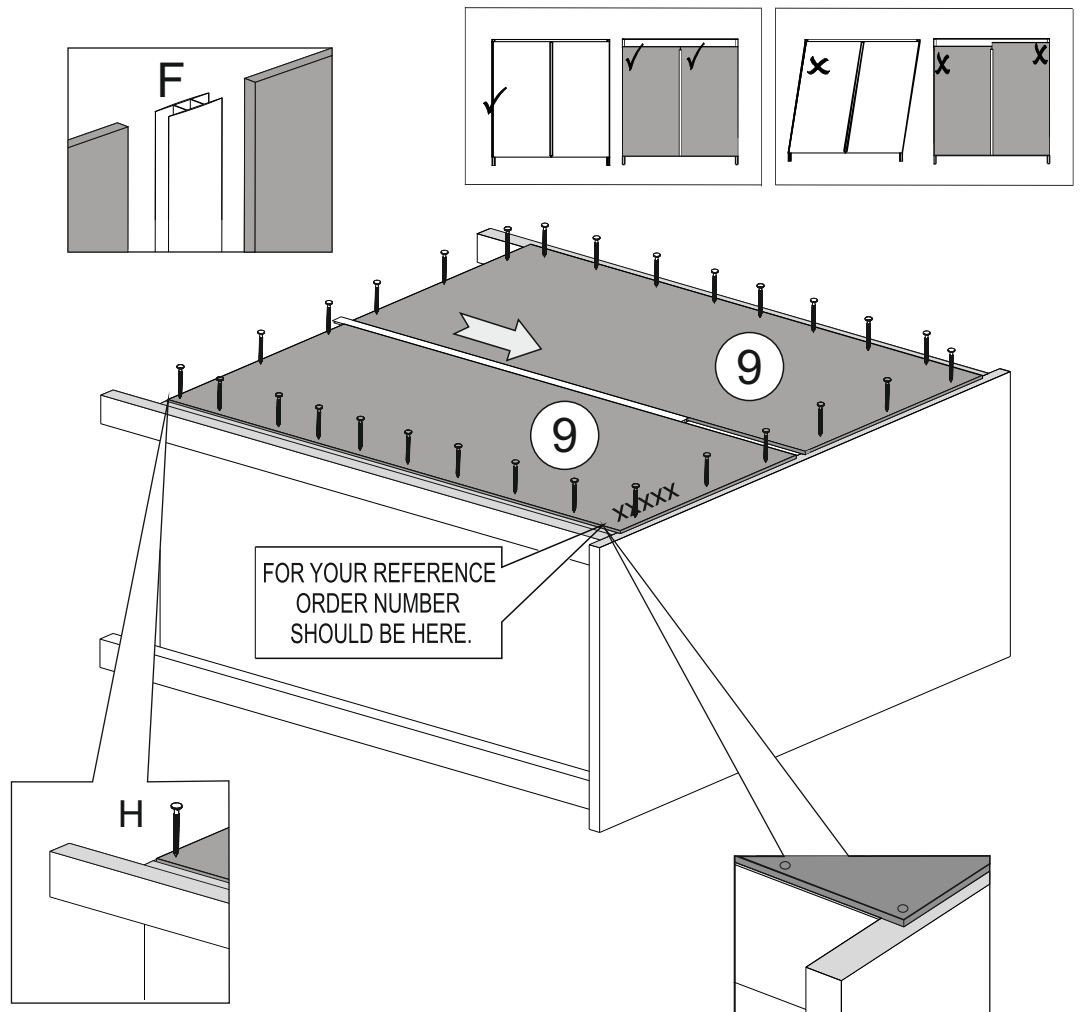
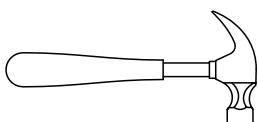
9 - BACK PANEL x2



HARDWARE REQUIRED



TOOLS REQUIRED



STEP 13

PARTS REQUIRED

13 - SMALL DRAWER FRONT x2

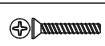
16 - MEDIUM DRAWER FRONT x1

18 - MEDIUM DRAWER FRONT x1

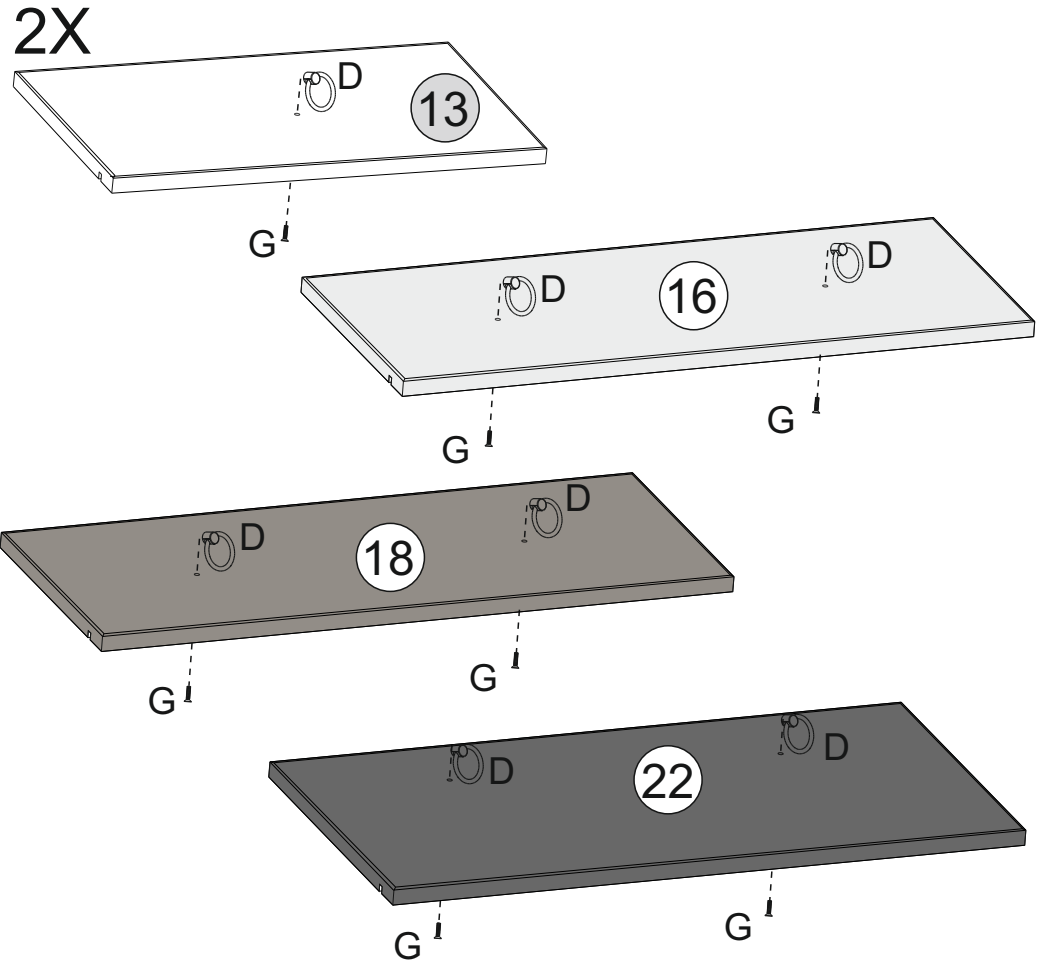
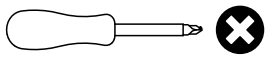
22 - LARGE DRAWER FRONT x1

HARDWARE REQUIRED

D  08

G  08

TOOLS REQUIRED



STEP 14

PARTS REQUIRED

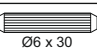
10- SMALL DRAWER BACK PANEL x2

15- MEDIUM DRAWER BACK PANEL x2

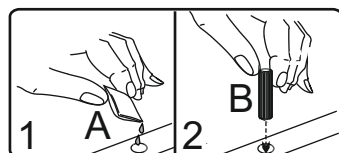
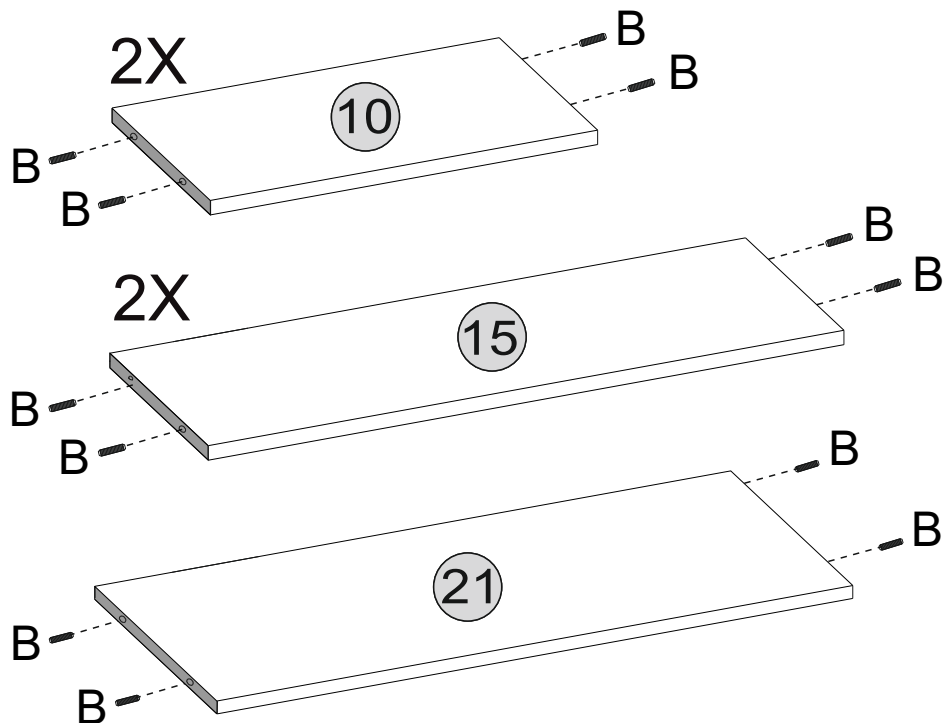
21- LARGE DRAWER BACK PANEL x1

HARDWARE REQUIRED

A  01

B  Ø6 x 30 20

TOOLS REQUIRED



STEP 15

PARTS REQUIRED

11- SMALL DRAWER RIGHT SIDE (RED) x4

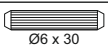
12- SMALL DRAWER LEFT SIDE (BLUE) x4

19- LARGE DRAWER LEFT SIDE (BLUE) x1

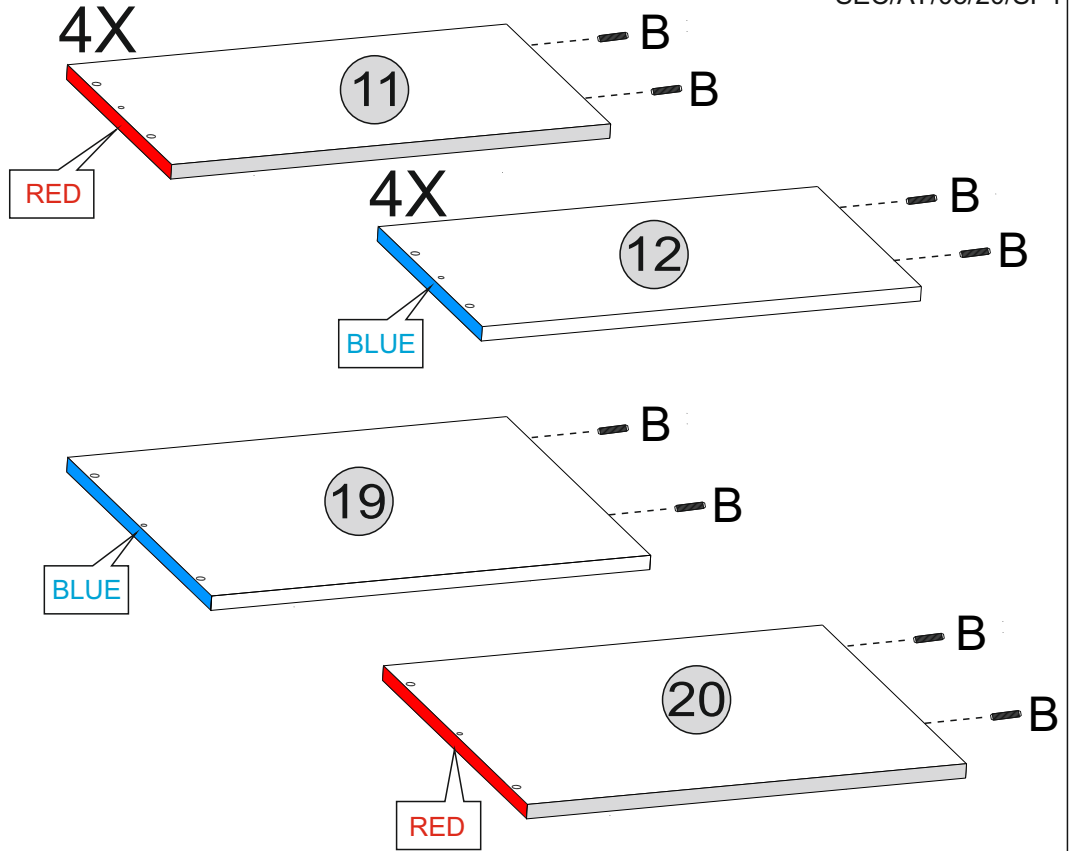
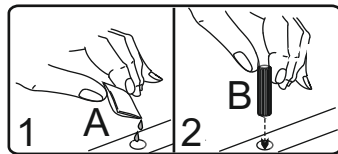
20- LARGE DRAWER RIGHT SIDE (RED) x1

HARDWARE REQUIRED

A  01

B  20

TOOLS REQUIRED



STEP 16

PARTS REQUIRED

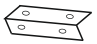
11- SMALL DRAWER RIGHT SIDE (RED) x4

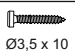
12- SMALL DRAWER LEFT SIDE (BLUE) x4

19- LARGE DRAWER LEFT SIDE (BLUE) x1

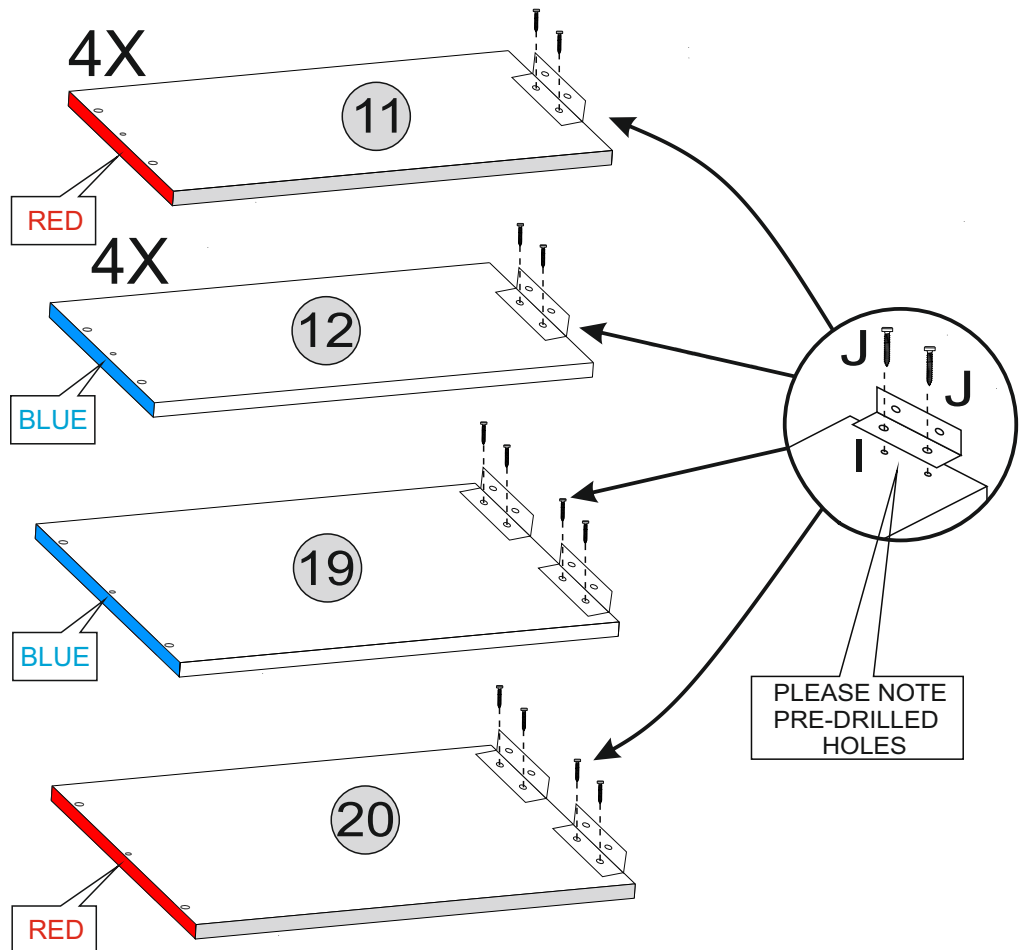
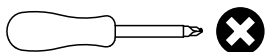
20- LARGE DRAWER RIGHT SIDE (RED) x1

HARDWARE REQUIRED

I  12

J  24

TOOLS REQUIRED



STEP 17

PARTS REQUIRED

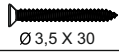
10- SMALL DRAWER BACK PANEL x2

11- SMALL DRAWER RIGHT SIDE (RED)x2

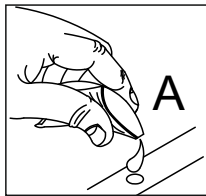
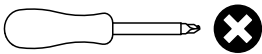
12- SMALL DRAWER LEFT SIDE (BLUE) x2


HARDWARE REQUIRED

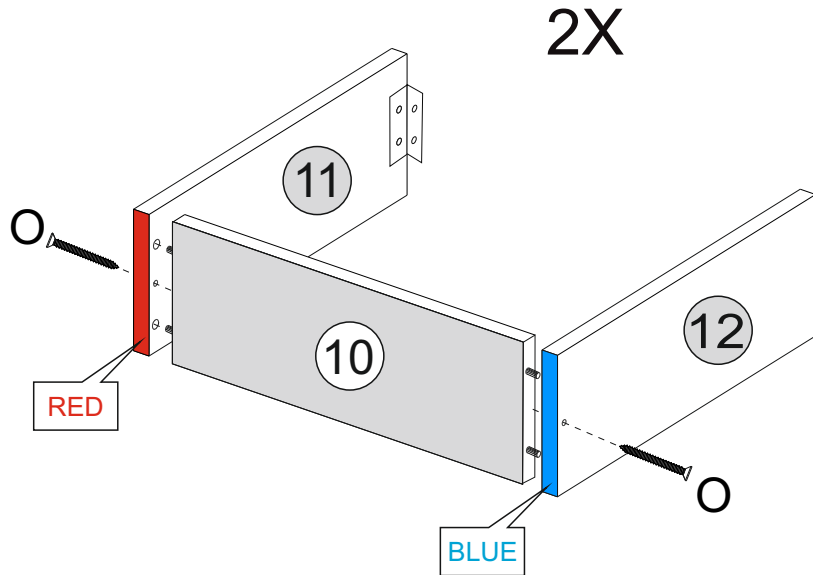
A  01

O  04
Ø 3,5 X 30

TOOLS REQUIRED



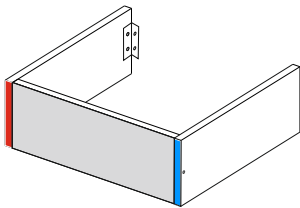
 Glue must be added to the dowel holes on part 11 and 12.



STEP 18

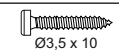
PARTS REQUIRED

13- SMALL DRAWER FRONT (WHITE)x1

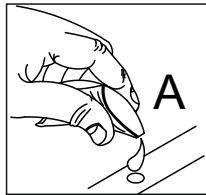
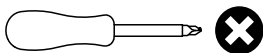



HARDWARE REQUIRED

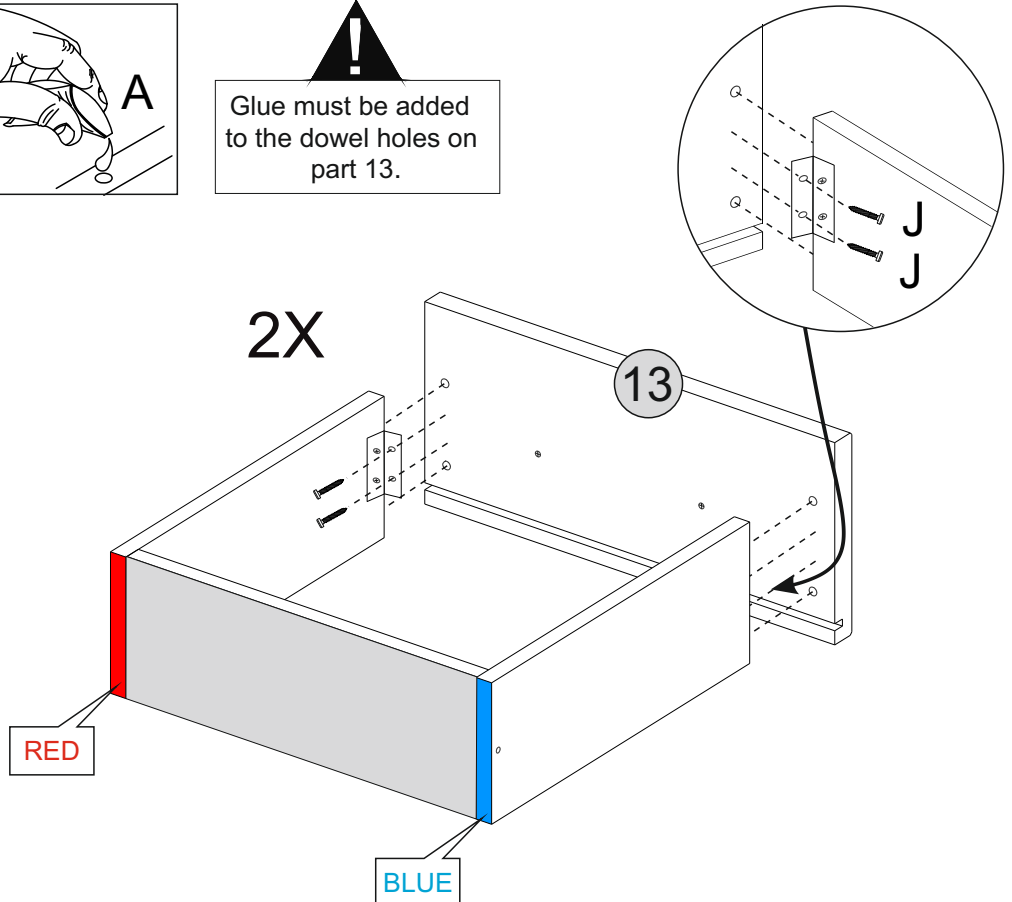
A  01

J  08
Ø3,5 x 10

TOOLS REQUIRED



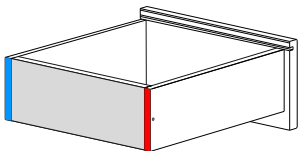
 Glue must be added to the dowel holes on part 13.



STEP 19

PARTS REQUIRED

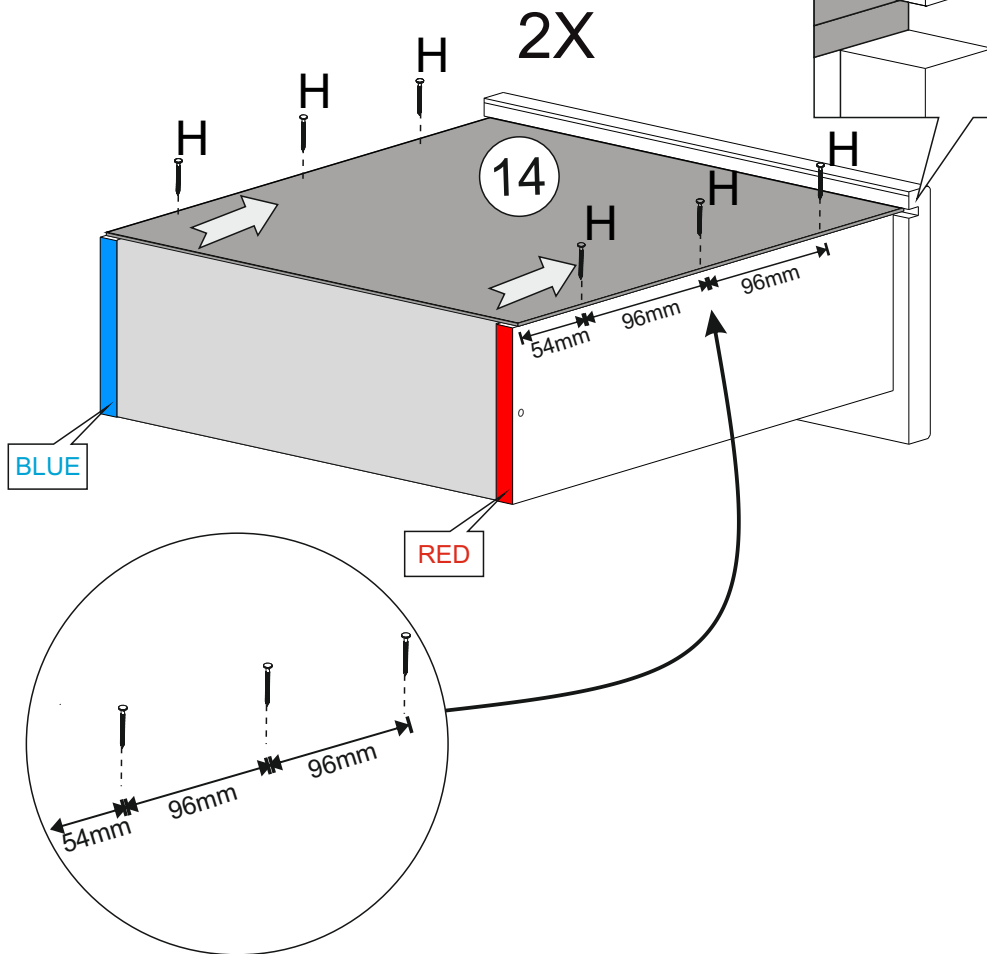
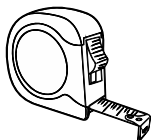
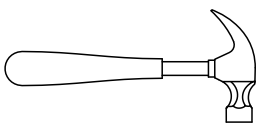
14 - SMALL DRAWER BASE x2



HARDWARE REQUIRED

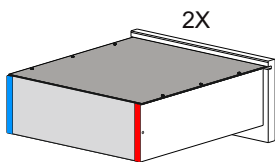
H  12

TOOLS REQUIRED



STEP 20

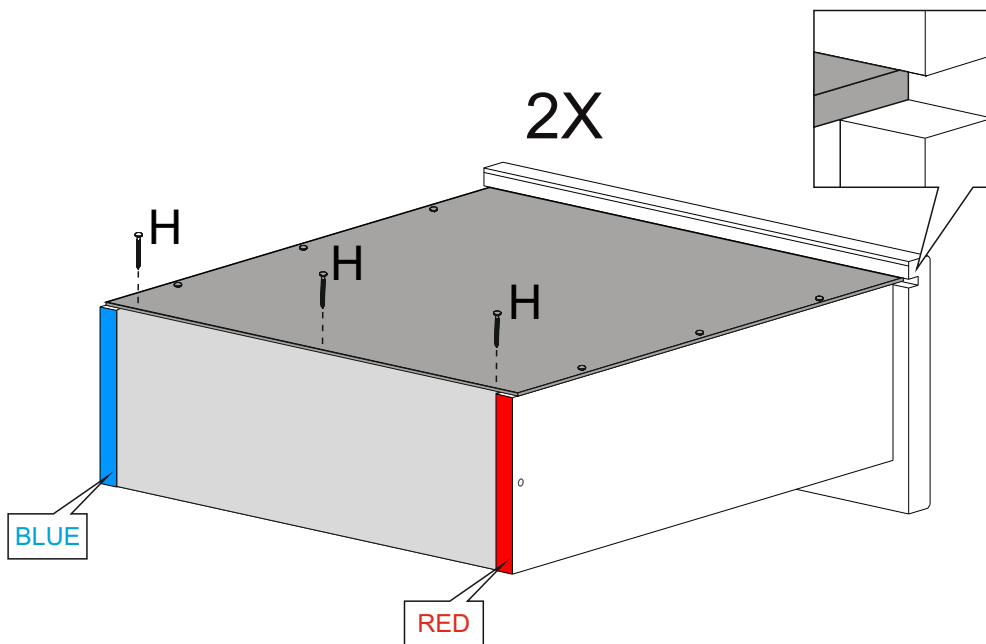
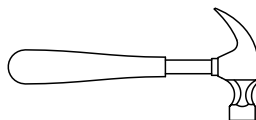
PARTS REQUIRED



HARDWARE REQUIRED

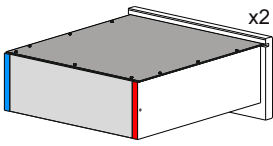
H  06

TOOLS REQUIRED

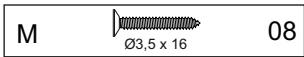
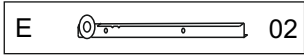


STEP 21

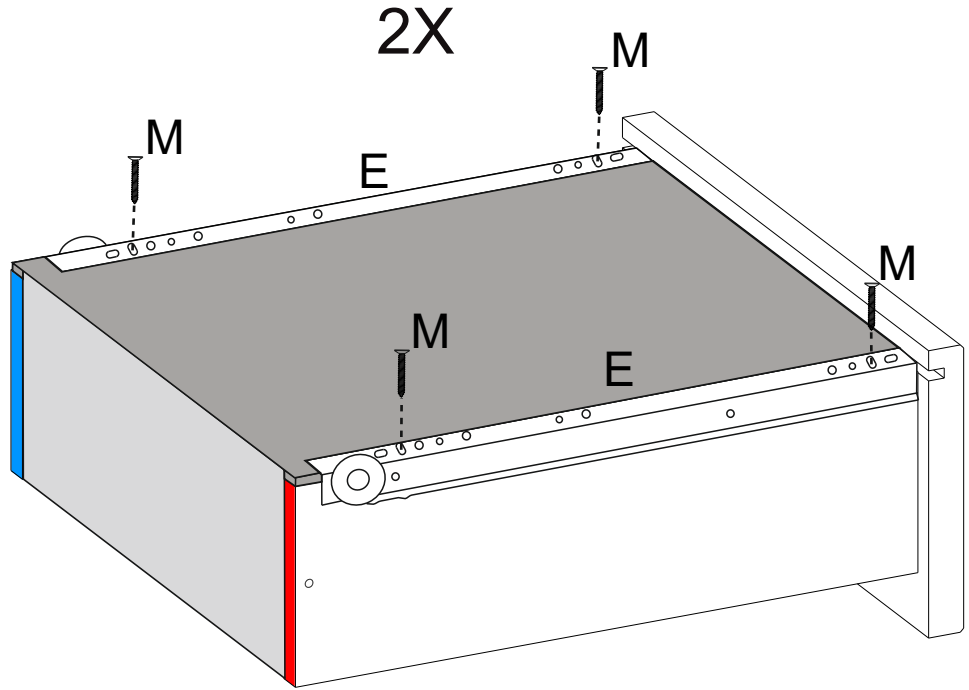
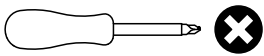
PARTS REQUIRED



HARDWARE REQUIRED



TOOLS REQUIRED



STEP 22

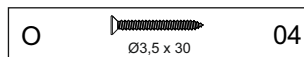
PARTS REQUIRED

11 - SMALL DRAWER RIGHT SIDE (RED) x2

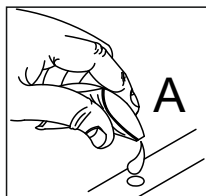
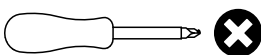
12 - SMALL DRAWER LEFT SIDE (BLUE) x2

15 - MEDIUM DRAWER BASE PANEL x2

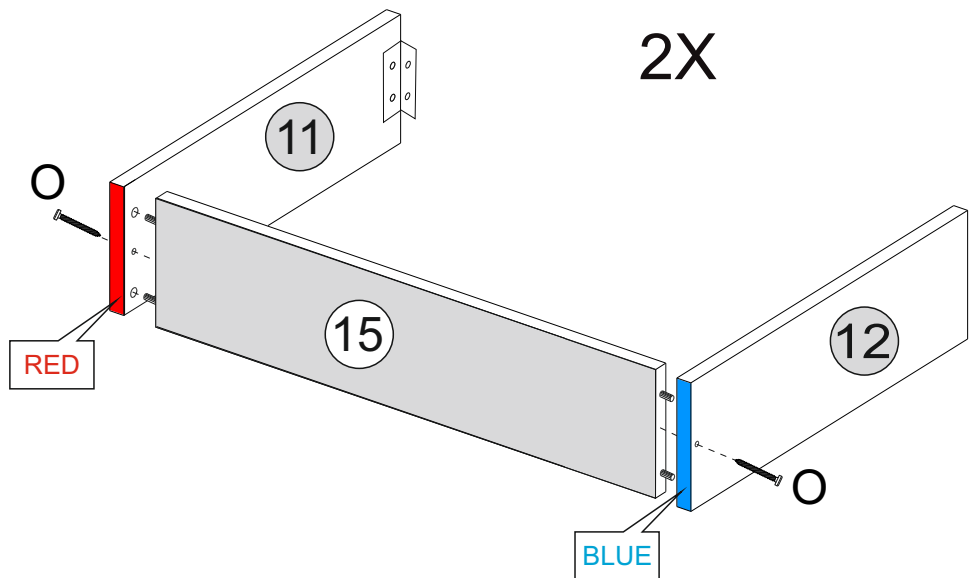
HARDWARE REQUIRED



TOOLS REQUIRED



!
Glue must be added to the dowel holes on part 11 and 12.

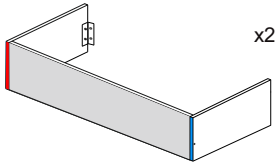


STEP 23

PARTS REQUIRED

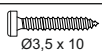
16 - DRAWER FRONT (LIGHT GREY) x1

18 - DRAWER FRONT (MID GREY) x1

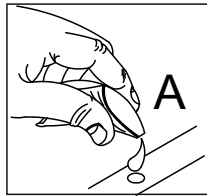
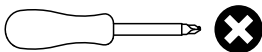


HARDWARE REQUIRED

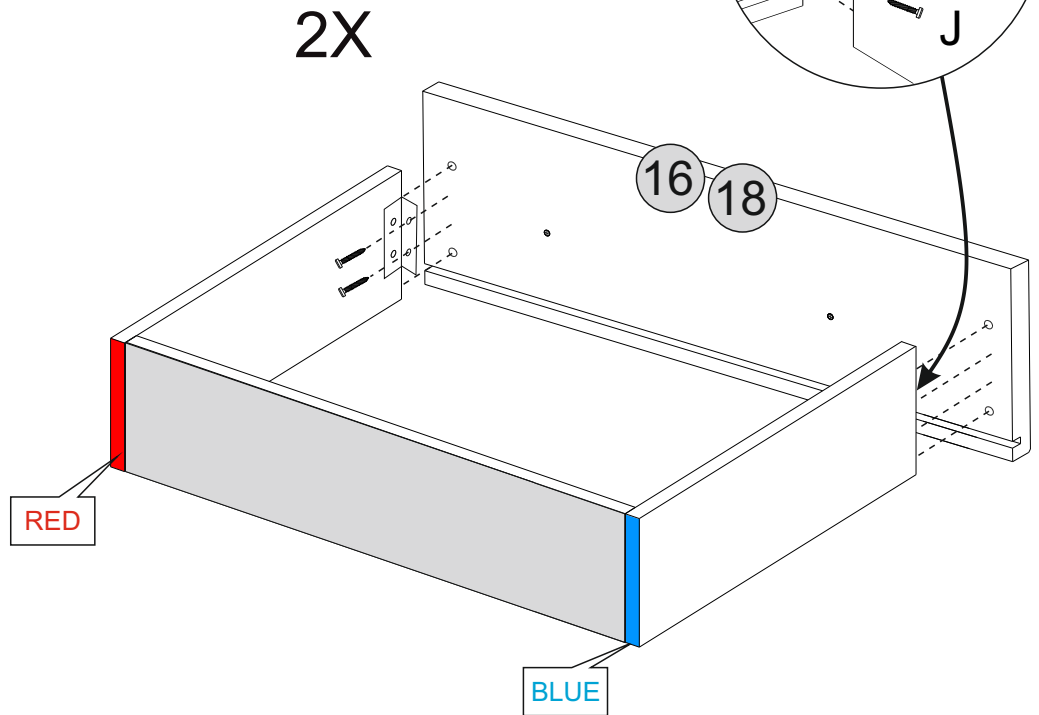
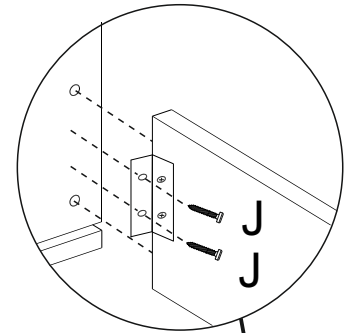
A  01

J  Ø3,5 x 10 08

TOOLS REQUIRED



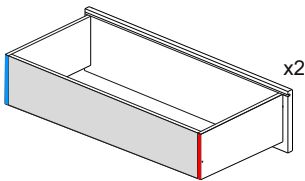
!
Glue must be added to the dowel holes on part 16 and 18.



STEP 24

PARTS REQUIRED

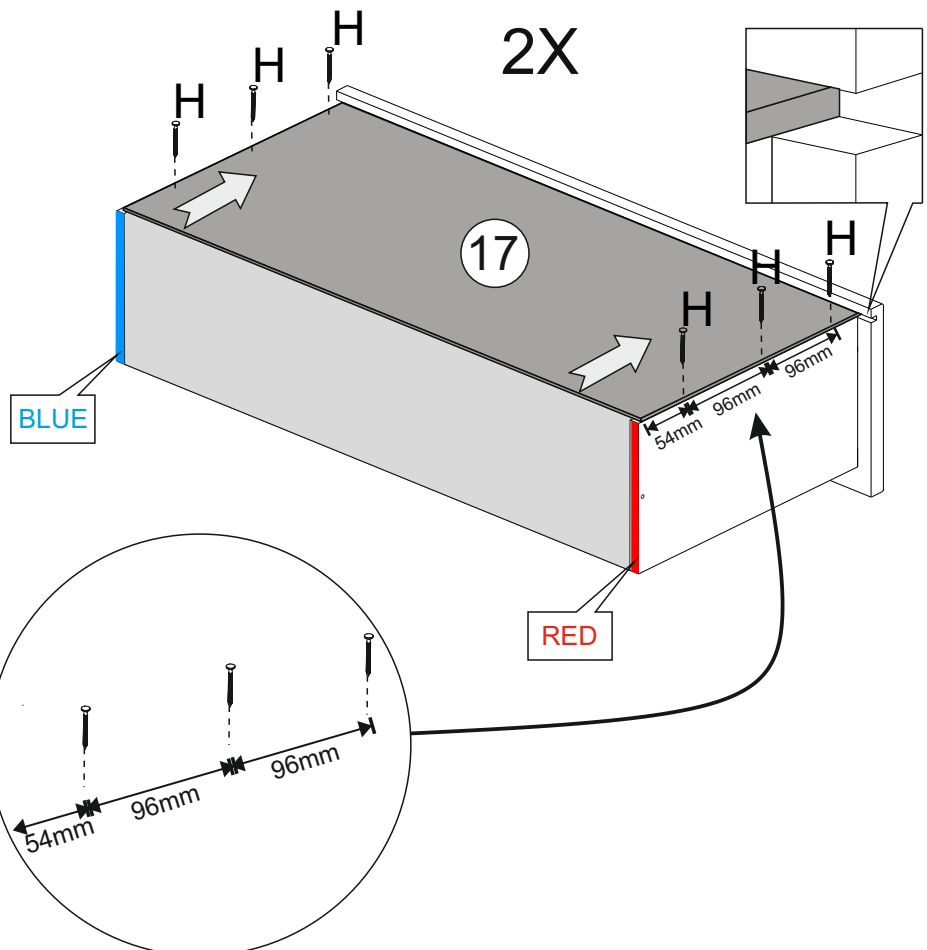
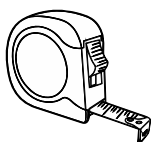
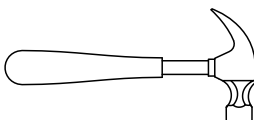
17 - MEDIUM DRAWER BASE x2



HARDWARE REQUIRED

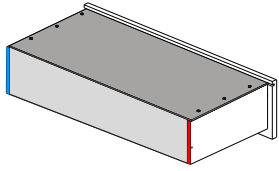
H  12

TOOLS REQUIRED



STEP 25

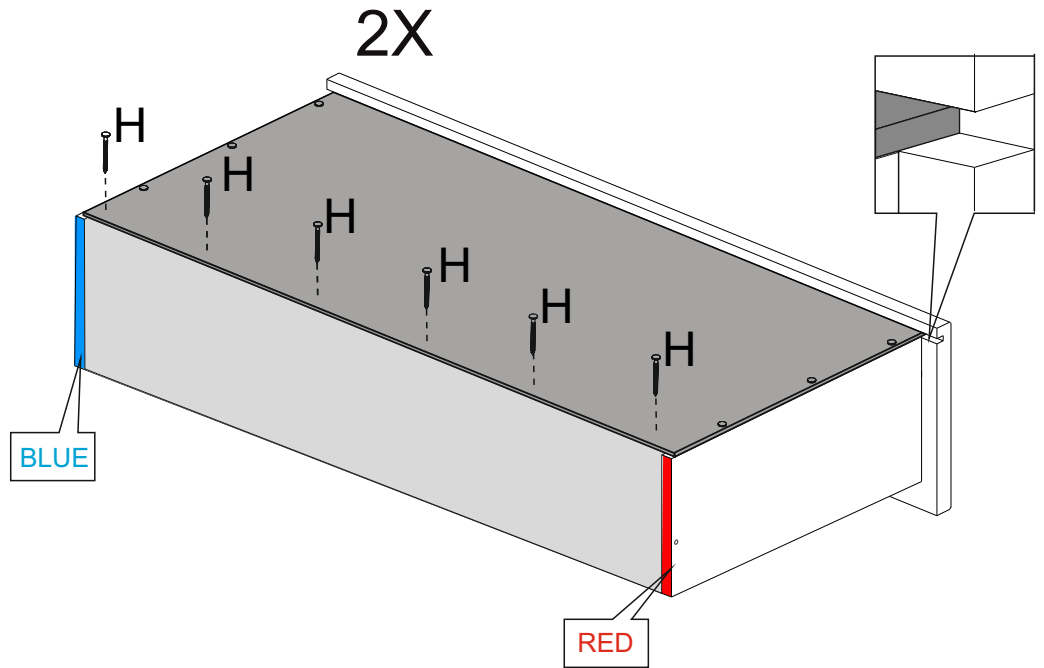
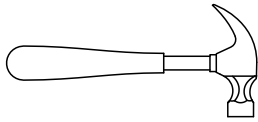
PARTS REQUIRED



HARDWARE REQUIRED

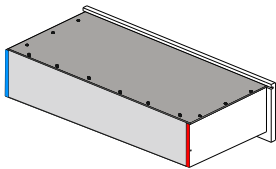


TOOLS REQUIRED

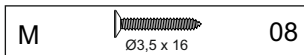
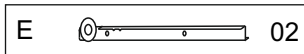


STEP 26

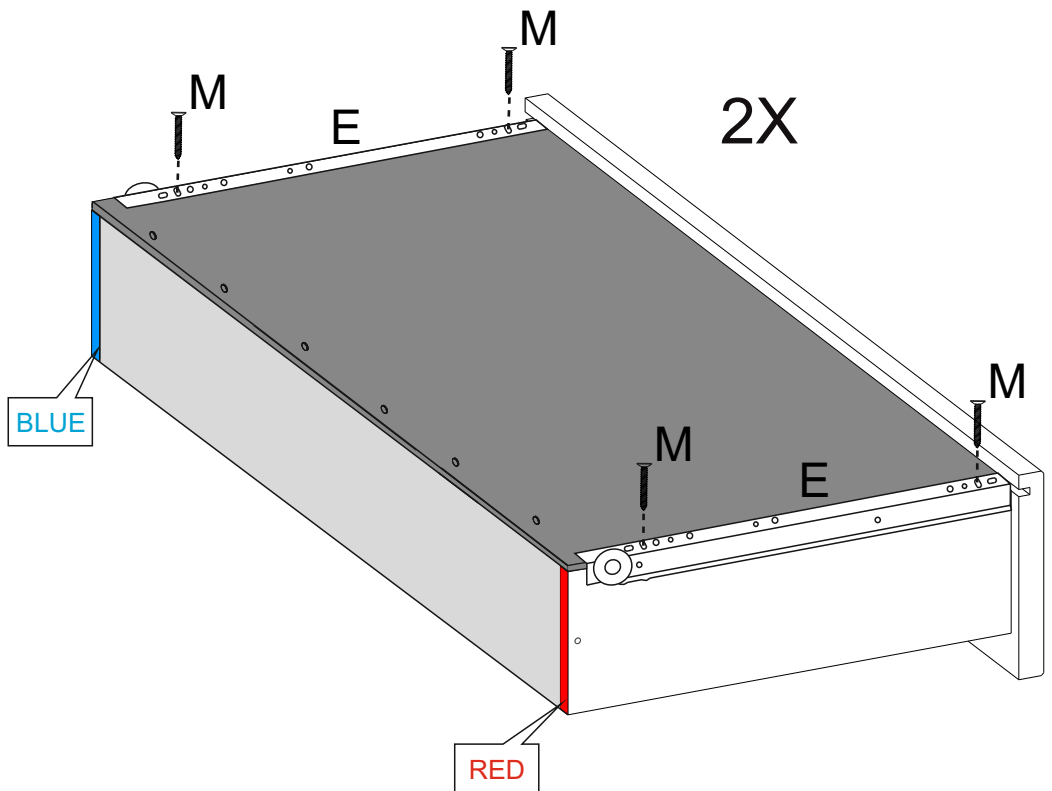
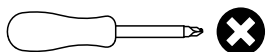
PARTS REQUIRED



HARDWARE REQUIRED



TOOLS REQUIRED



STEP 27

PARTS REQUIRED

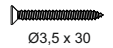
19 - LARGE DRAWER LEFT SIDE (BLUE) x1

20 - LARGE DRAWER RIGHT SIDE (RED) x1

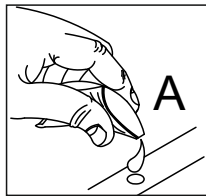
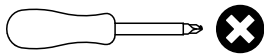
21 - LARGE DRAWER BACK PANEL x1


HARDWARE REQUIRED

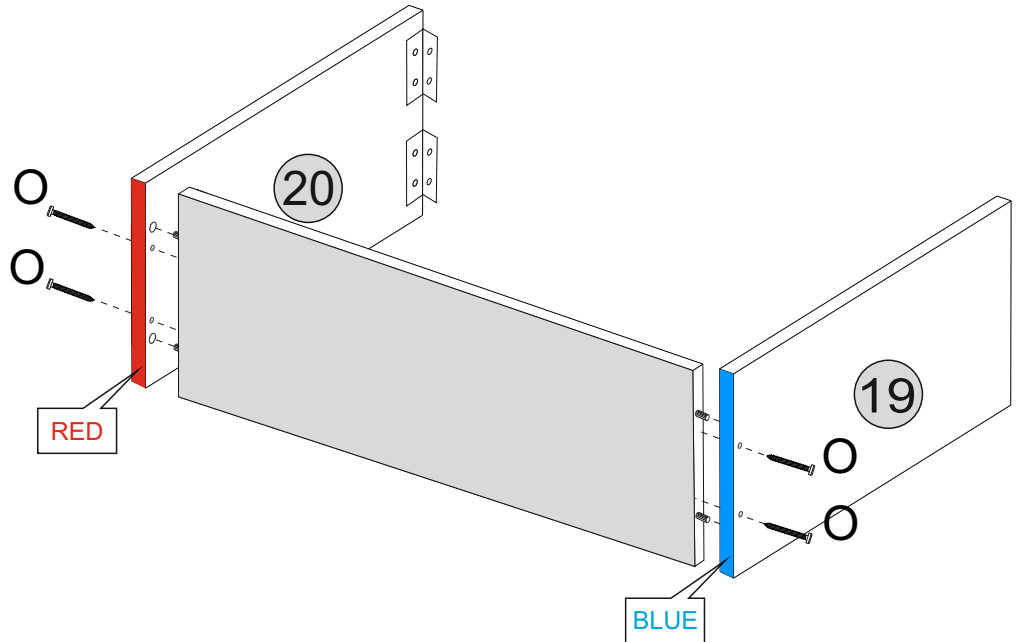
A  01

O  04
Ø3,5 x 30

TOOLS REQUIRED



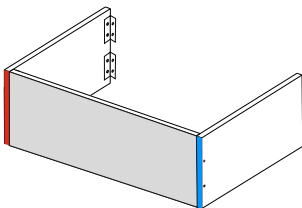

Glue must be added to the dowel holes on part 19 and 20.



STEP 28

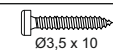
PARTS REQUIRED

22-LARGE DRAWER FRONT (DARK GREY) x1

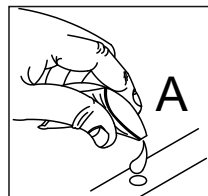
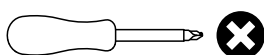


HARDWARE REQUIRED

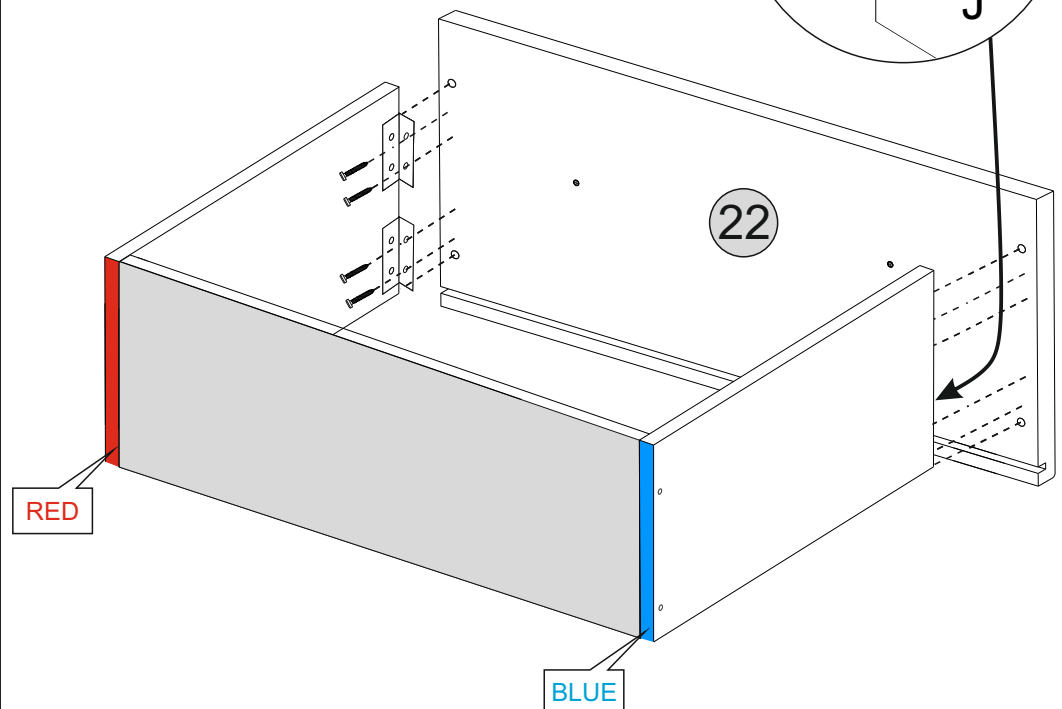
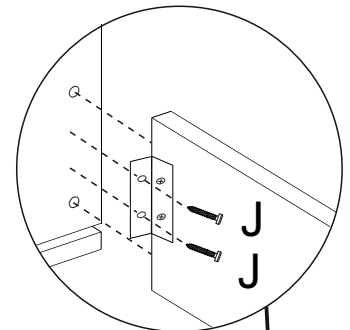
A  01

J  08
Ø3,5 x 10

TOOLS REQUIRED



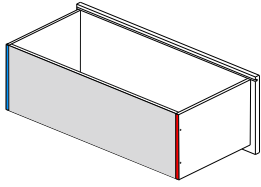

Glue must be added to the dowel holes on part 22.




STEP 29

PARTS REQUIRED

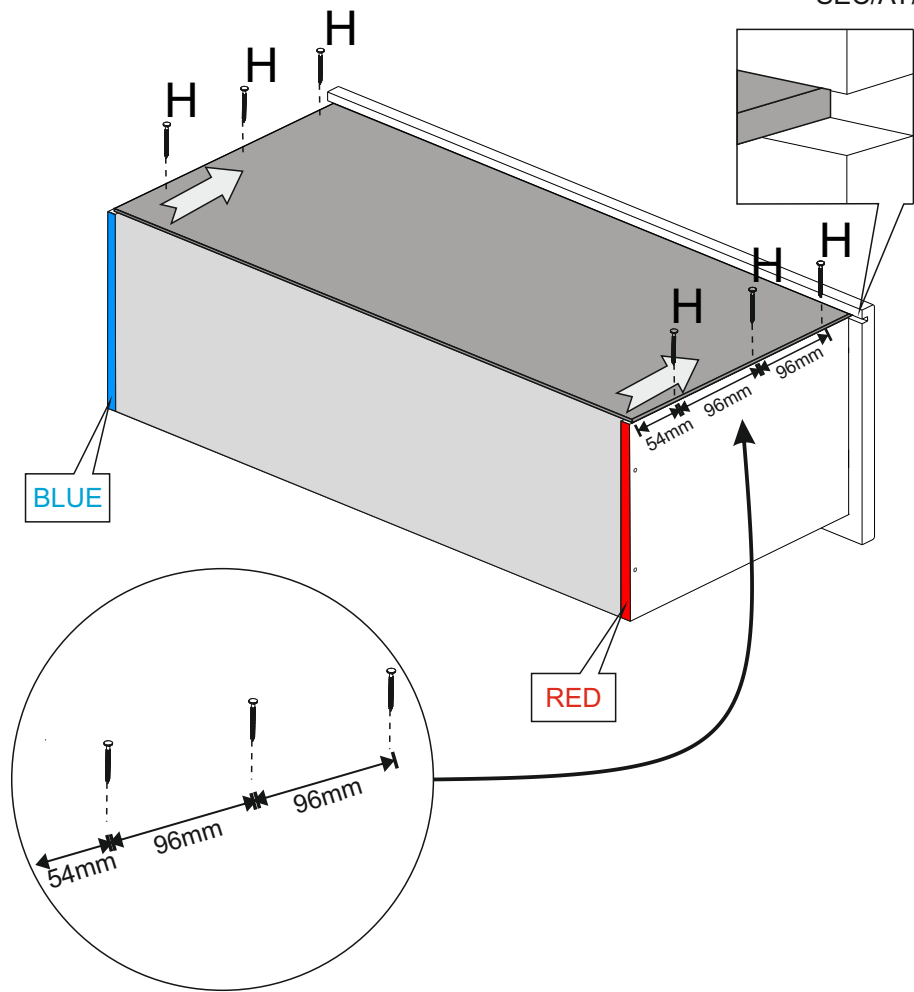
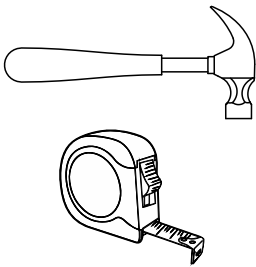
17 - LARGE DRAWER BASE x1



HARDWARE REQUIRED

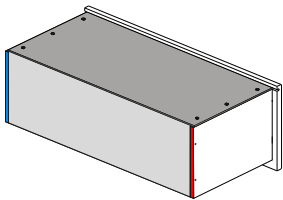
H  06
Ø3,5 x 30

TOOLS REQUIRED




STEP 30

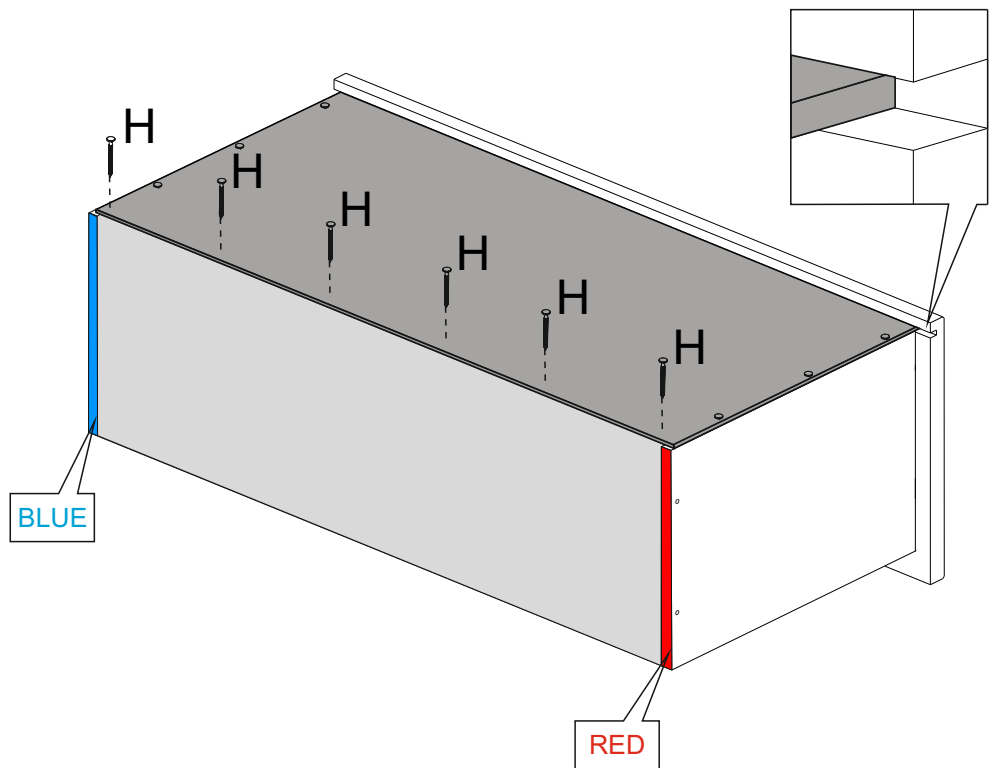
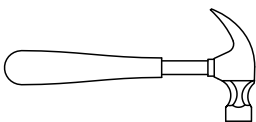
PARTS REQUIRED



HARDWARE REQUIRED

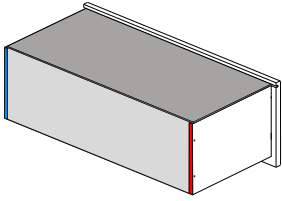
H  06
Ø3,5 x 30

TOOLS REQUIRED

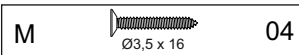
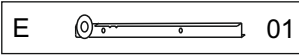


STEP 31

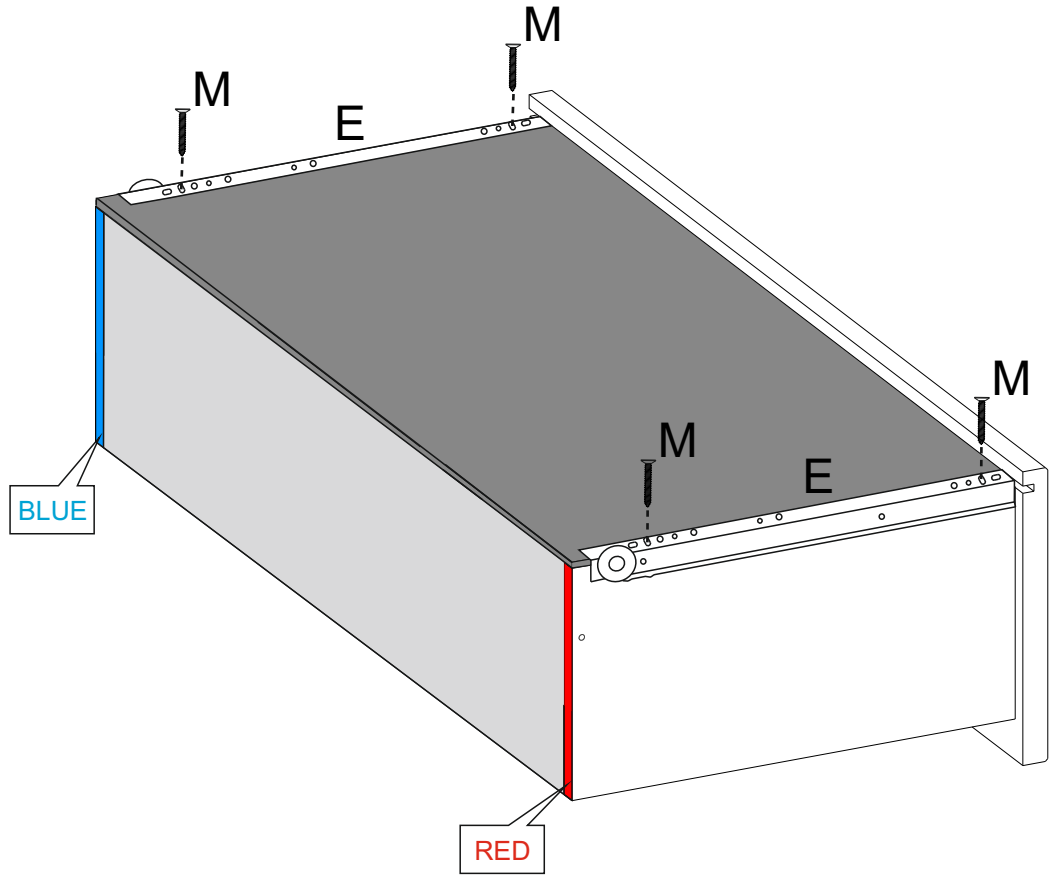
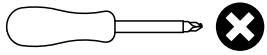
PARTS REQUIRED



HARDWARE REQUIRED

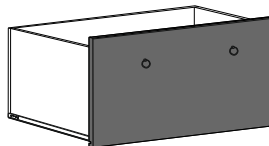
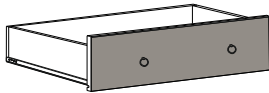
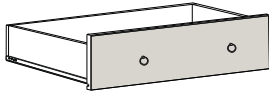
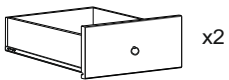
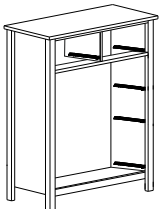


TOOLS REQUIRED

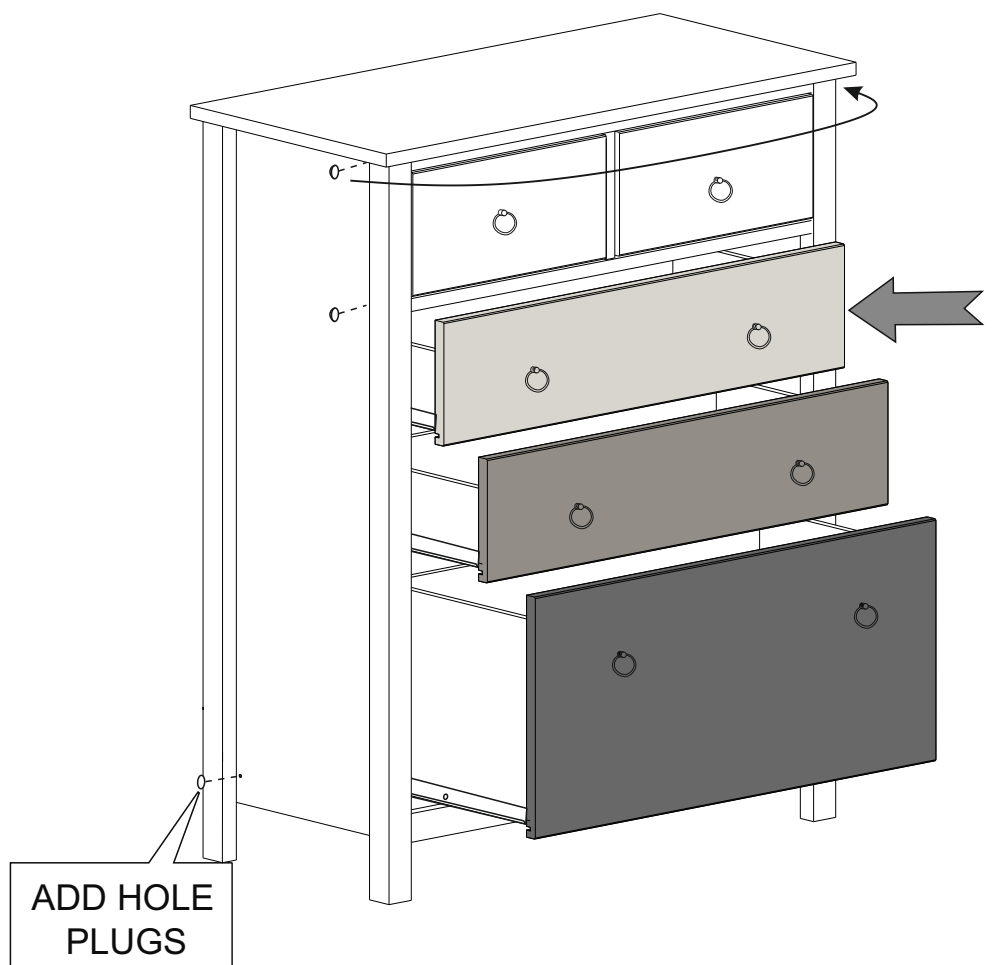


STEP 32

PARTS REQUIRED

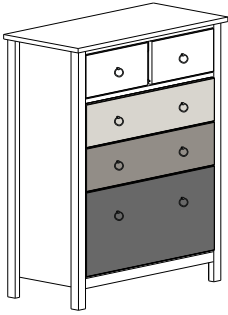


HARDWARE REQUIRED

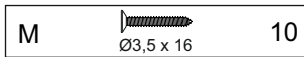


STEP 33

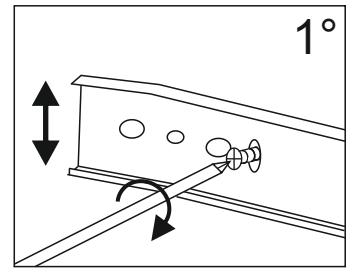
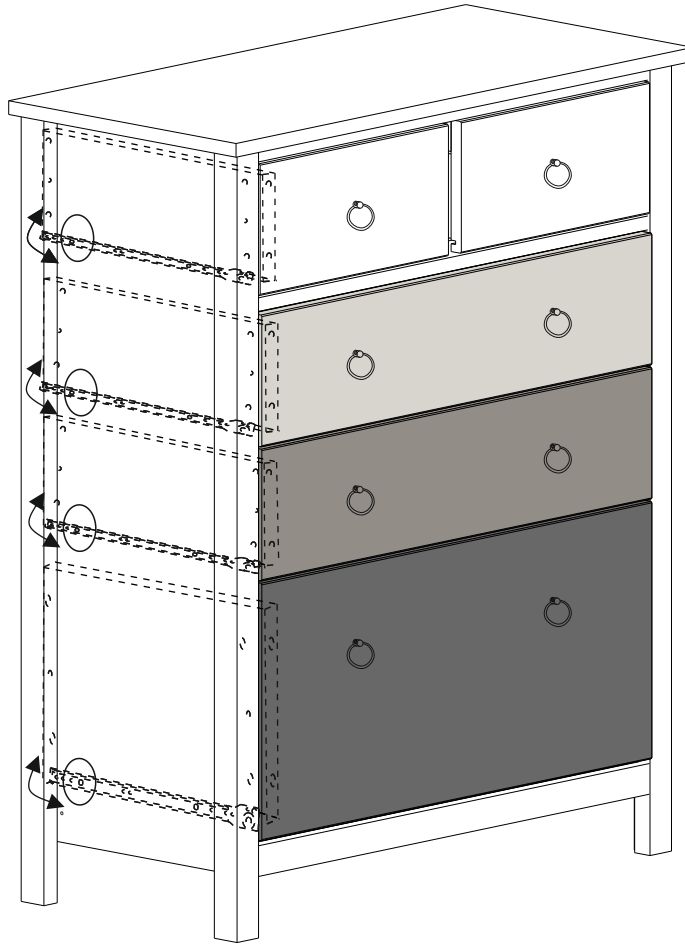
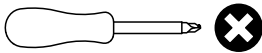
PARTS REQUIRED



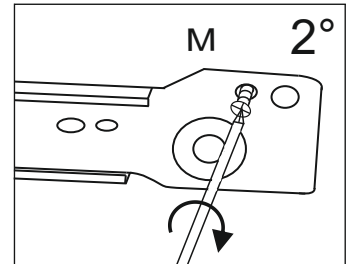
HARDWARE REQUIRED



TOOLS REQUIRED



Drawer Adjustment



Drawer Lock

WARNING

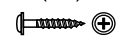
Serious or fatal injuries can occur from furniture tipping over. To prevent the furniture from tipping over we recommend that it is permanently fixed to the wall.

Wall fixings are not supplied with this product as different wall materials require different types of fixing devices. Please make sure you use fixings suitable for the walls in your home.

FITTINGS LIST

P

Strap (Anti-Tip Kit) (1x)



Wood Screw (Anti-Tip Kit) 3,5 x 25mm (1x)



Washer (Anti-Tip Kit) (2x)

