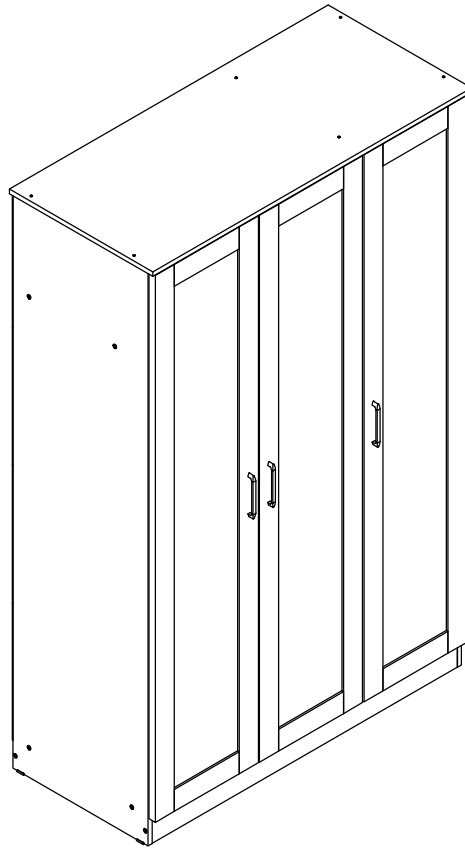
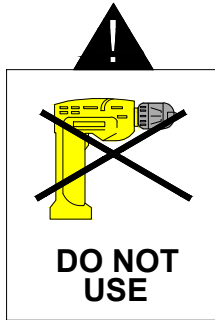


WHITE / OAK EFFECT PORTLAND 3 DOOR WARDROBE ASSEMBLY INSTRUCTIONS



IMPORTANT FOR DOMESTIC USE ONLY PLEASE READ BEFORE YOU CONTINUE FURTHER

THE PRODUCT YOU HAVE PURCHASED WILL GIVE YOU MANY YEARS OF SERVICE IF YOU FOLLOW THE GUIDELINES FOR ITS SAFE ASSEMBLY AND PERIODIC MAINTENANCE AND CLEANING.

ASSEMBLE ON A SOFT CLEAN SURFACE.

DO NOT USE ANY TOOLS OTHER THAN THOSE SHOWN.

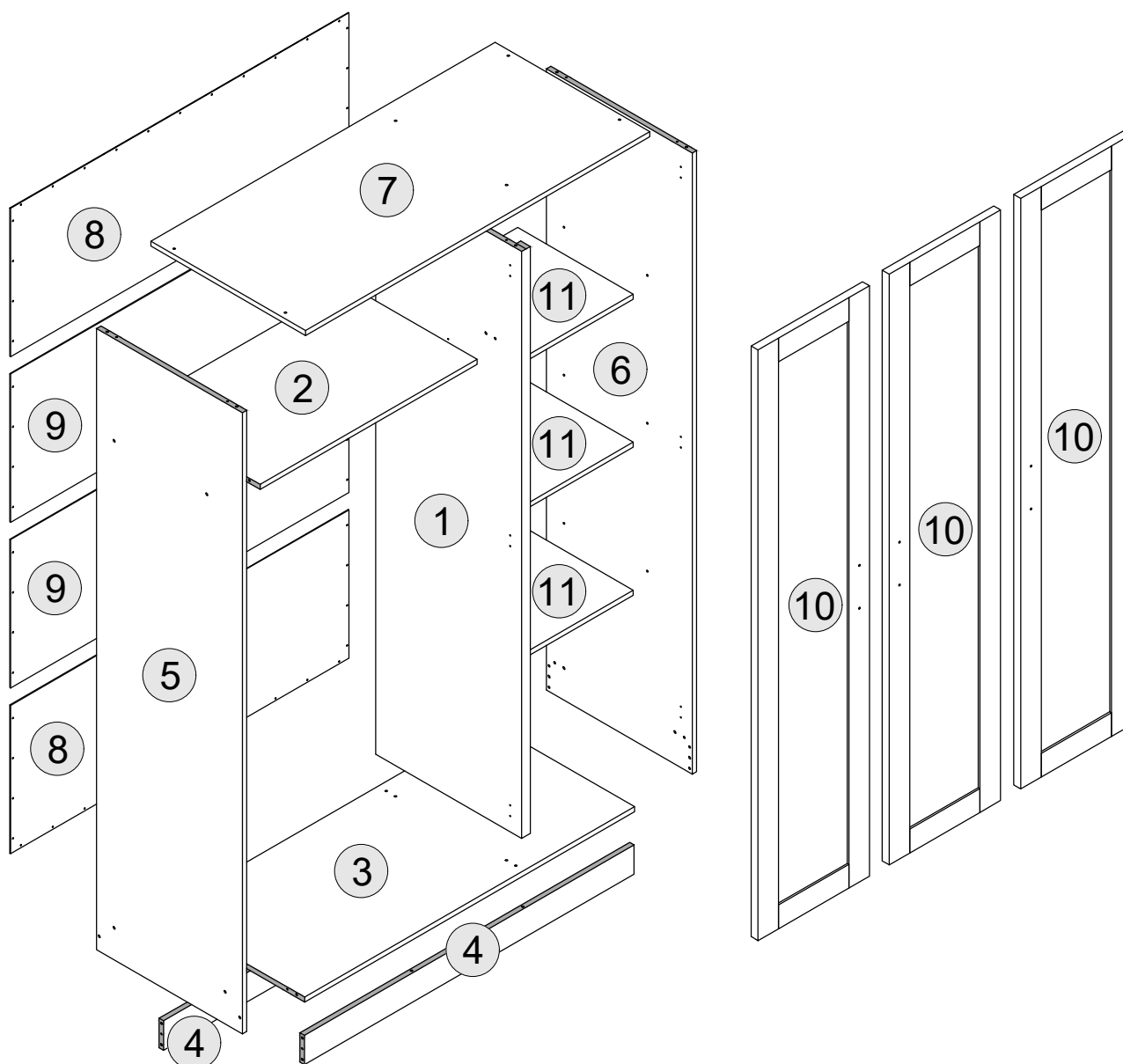
ANY SPANNERS OR ALLEN KEYS REQUIRED ARE INCLUDED WITH THE FITTINGS KIT.

DO NOT FOR ANY REASON USE A POWER TOOL TO ASSEMBLE THIS PRODUCT. ITS USE WILL INVALIDATE ANY CLAIM YOU MAY HAVE AND COULD MAKE THIS PRODUCT UNSAFE.

DEPENDING ON THE AMOUNT OF USE THIS PRODUCT RECEIVES IT MAY BE NECESSARY TO TIGHTEN UP THE FIXINGS FROM TIME TO TIME. THIS IS COMPLETELY NORMAL FOR ANY FLAT PACK FURNITURE. DO NOT OVERTIGHTEN FIXING.

FOR CLEANING, YOU MAY USE A DAMP CLOTH (NOT WET) DO NOT USE POLISH, DETERGENT OR CHEMICAL CLEANERS.



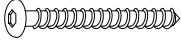
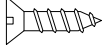
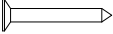



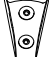



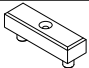
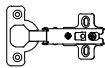

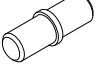



THE SURFACE OF THIS ITEM IS NOT HEAT RESISTANT. ALWAYS USE A PLACE MAT UNDER HOT OR COLD ITEMS TO PREVENT MARKING.



PART LIST

Part Number	Part Code	Part Description	Quantity	Carton
1	S100-101-204-EU1-01	Centre Panel	1	1/3
2	S100-101-204-EU1-02	Large Shelf Panel	1	2/3
3	S100-101-204-EU1-03	Bottom Panel	1	2/3
4	S100-101-204-EU1-04	Base Apron	2	2/3
5	S100-101-204-EU1-05	Side Panel - Left	1	1/3
6	S100-101-204-EU1-06	Side Panel - Right	1	1/3
7	S100-101-204-EU1-07	Top Panel	1	2/3
8	S100-101-204-EU1-08	Back Panel I	2	2/3
9	S100-101-204-EU1-09	Back Panel II	2	2/3
10	S100-101-204-EU1-10	Doors	3	3/3
11	S100-101-204-EU1-11	Small Shelf Panel	3	3/3

HARDWARE LIST

A		DOWEL 6 X 30MM	28 PCS
B		ALLEN KEY	1 PC
C		BOLT M6 X 50MM	12 PCS
D		SCREW M3.5 X 16MM	25 PCS
E		TACK	54 PCS
F		PLASTIC FOOT	6 PCS
G		SCREW M3.5 X 12MM	4 PCS
H		TAPPING SCREW M8 X 12MM	18 PCS
I		HANGING RAIL SUPPORT	2 PCS
J		HANGING RAIL	1 PC
K		SCREW M6 X 50MM	8 PCS
L		PLASTIC H STRIP	3 PCS
M		PVC STOPPER	1 PC
N		HINGES 5/8	9 PCS
O		HANDLE	3 PCS
P		SHELF SUPPORT	12 PCS
Q		HANDLE SCREW 22MM	6 PCS
R		ANTI - TIP STRAP	2 PCS
S		SCREW M4 X 16MM	2 PCS

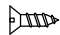
STEP 1

PARTS REQUIRED

1 - CENTRE PANEL x1

HARDWARE REQUIRED

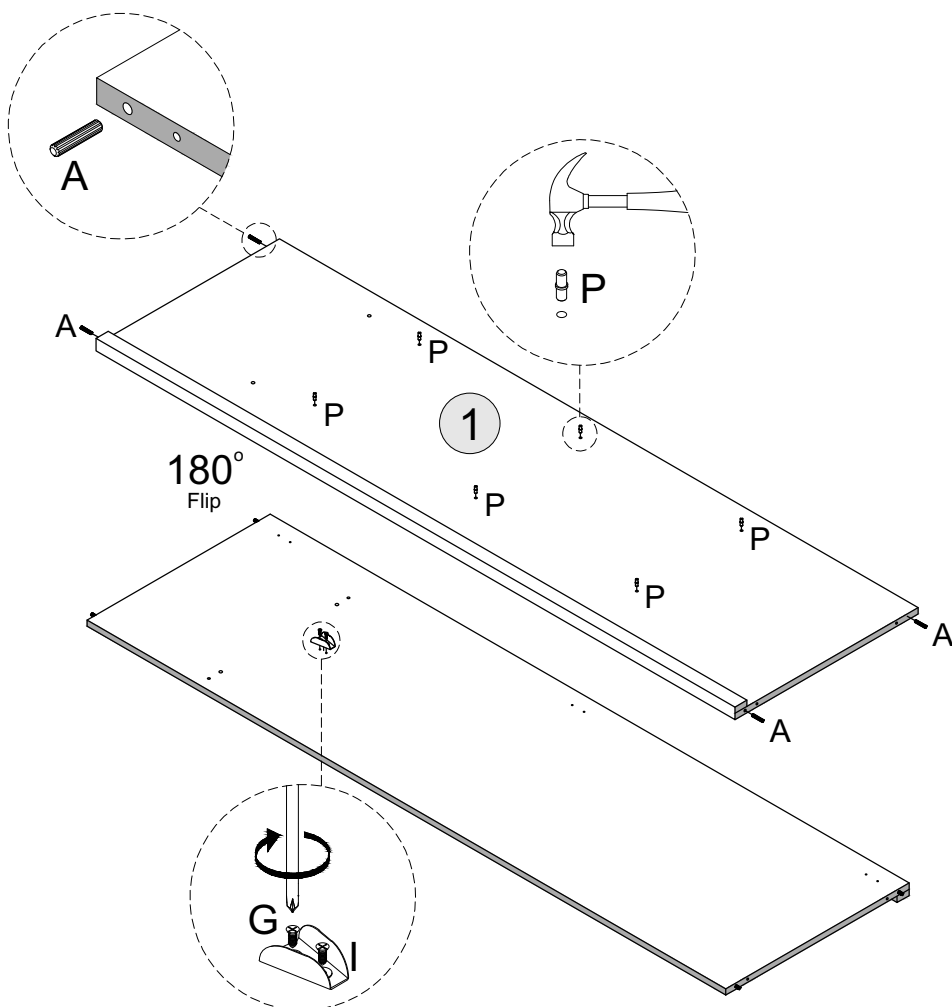
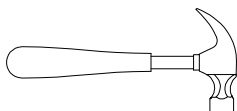
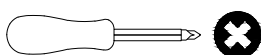
A  04

G  02

I  01

P  06

TOOLS REQUIRED



STEP 2

PARTS REQUIRED

2 - LARGE SHELF PANEL x1

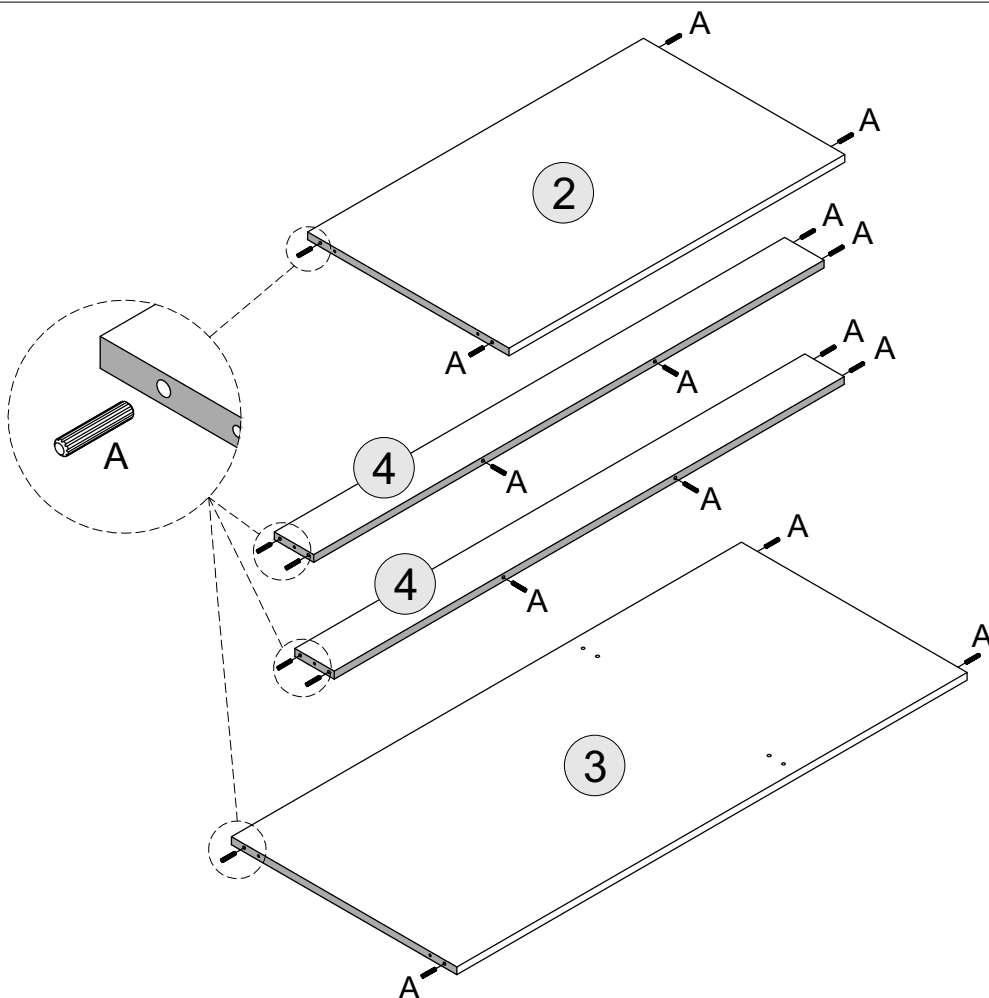
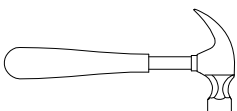
3 - BOTTOM PANEL x1

4 - BASE APRON x2

HARDWARE REQUIRED

A  20

TOOLS REQUIRED



STEP 3

PARTS REQUIRED

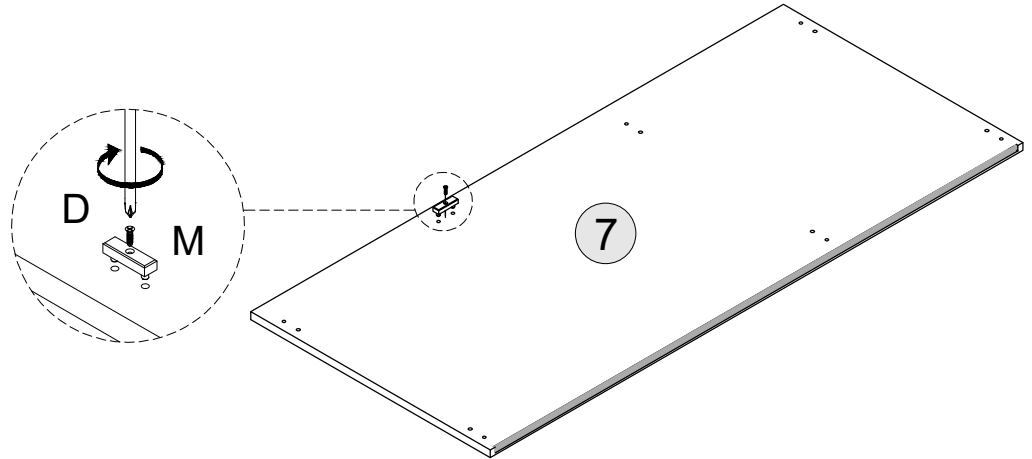
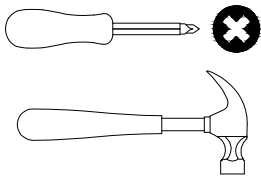
7 - TOP PANEL x1

HARDWARE REQUIRED

D  01

M  01

TOOLS REQUIRED



STEP 4

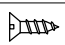
PARTS REQUIRED


5 - SIDE PANEL - LEFT x1

6 - SIDE PANEL - RIGHT x1

HARDWARE REQUIRED

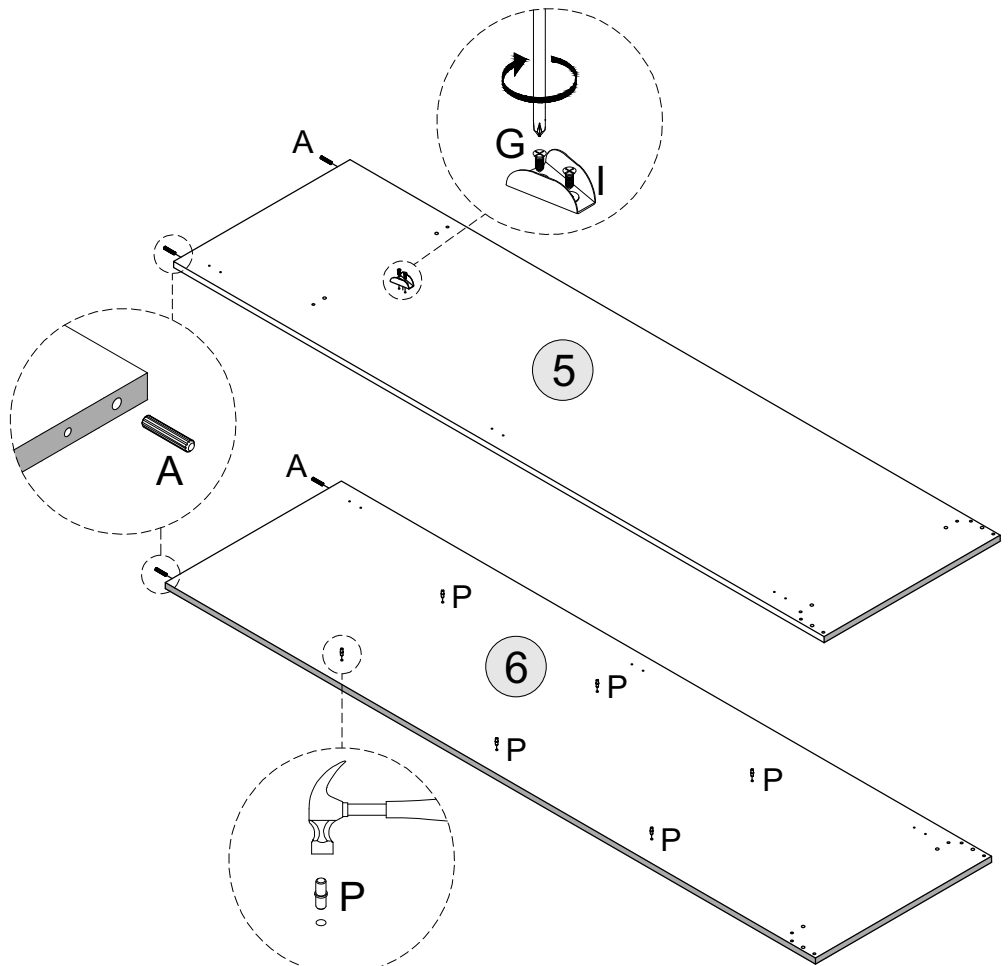
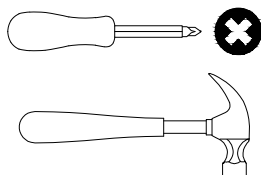
A  04

G  02

I  01

P  06

TOOLS REQUIRED

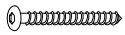



STEP 5

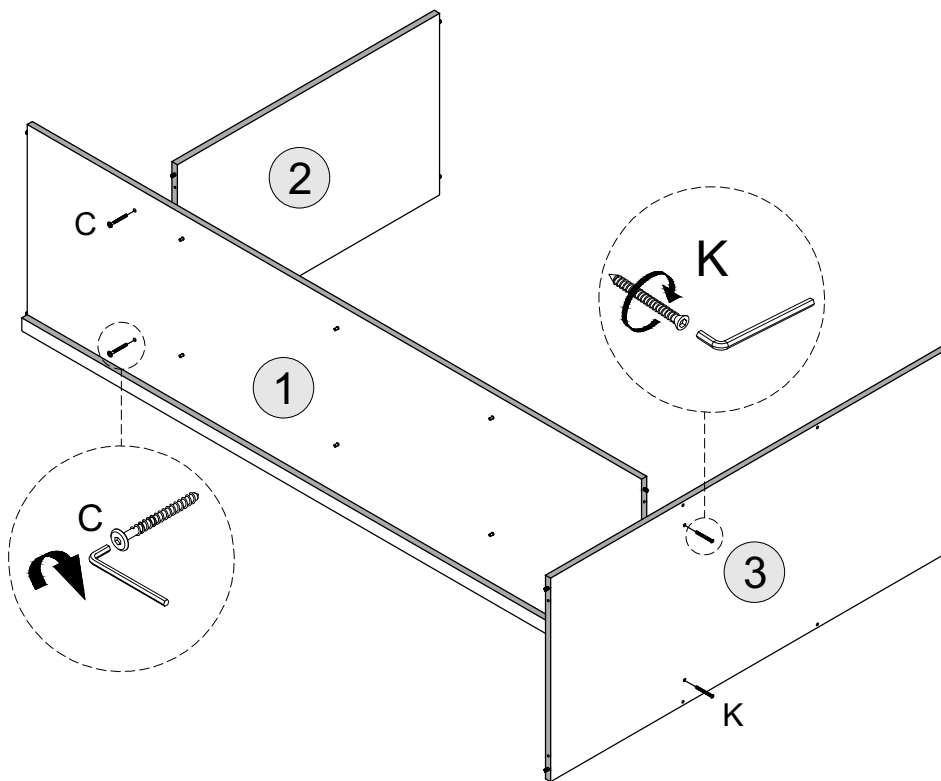
PARTS REQUIRED

- 1 - CENTRE PANEL x1
- 2 - LARGE SHELF PANEL x1
- 3 - BOTTOM PANEL x1

HARDWARE REQUIRED

- C  02
- K  02

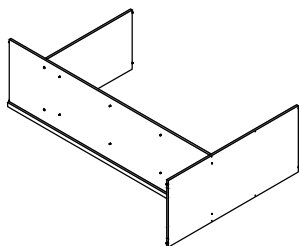
TOOLS REQUIRED



STEP 6

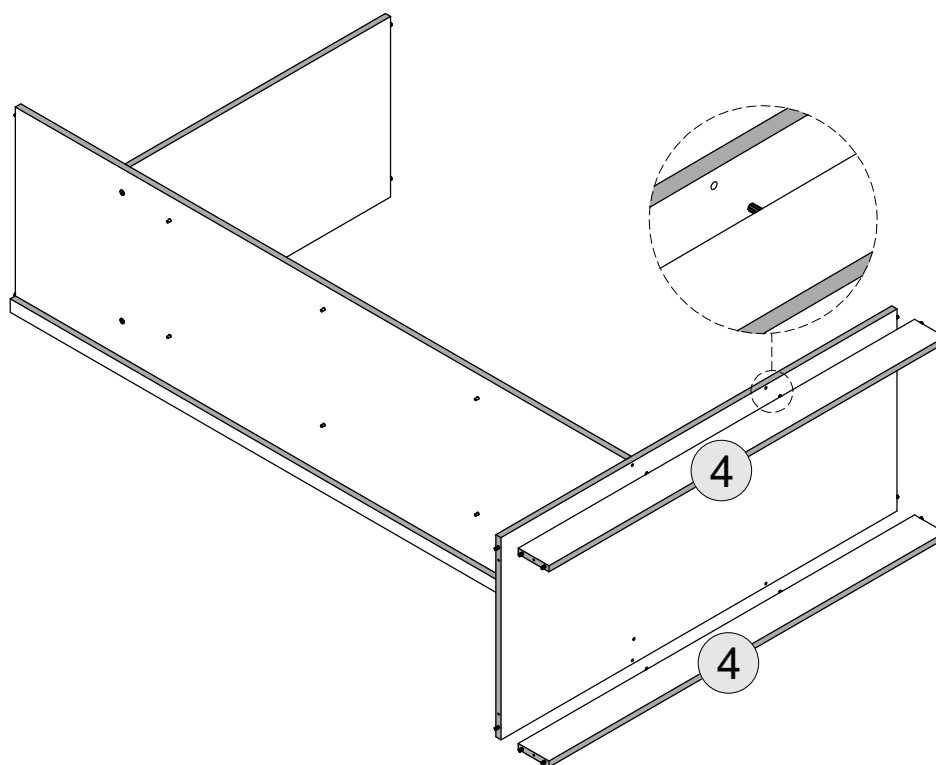
PARTS REQUIRED

- 4 - BASE APRON x2



HARDWARE REQUIRED

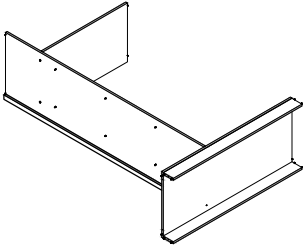
TOOLS REQUIRED



STEP 7

PARTS REQUIRED

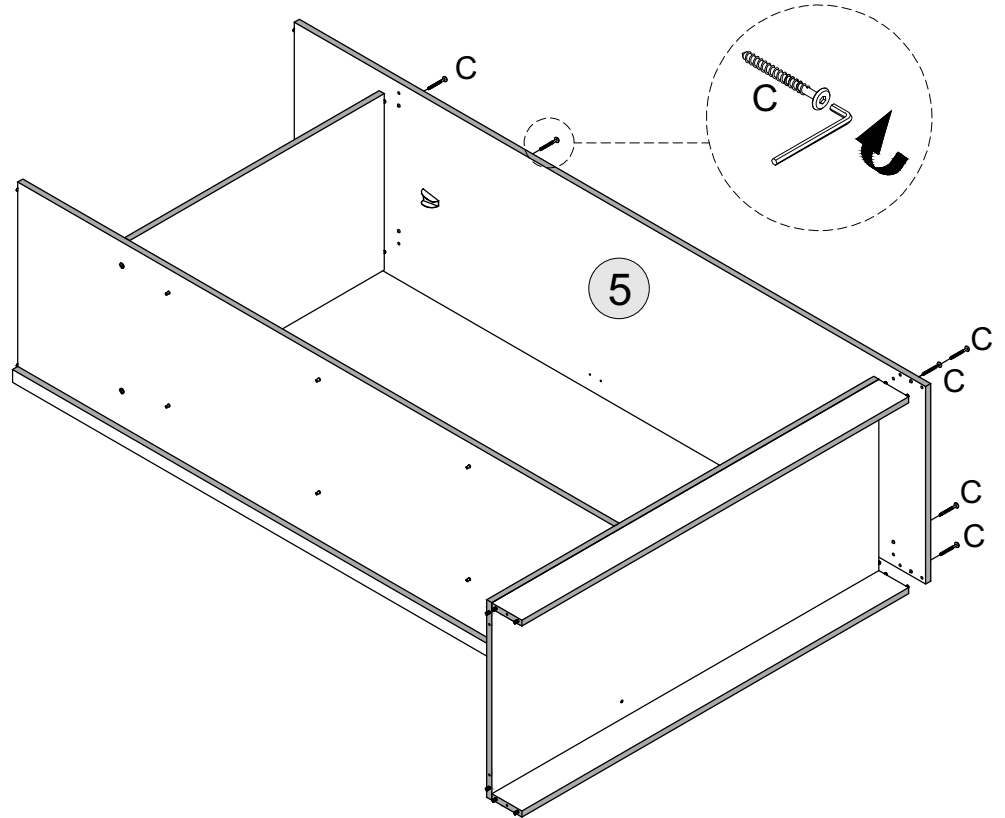
5 - SIDE PANEL - LEFT x1



HARDWARE REQUIRED

C  06

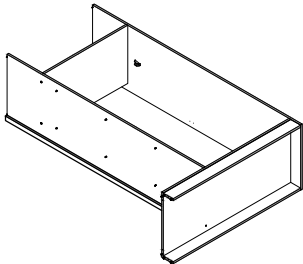
TOOLS REQUIRED



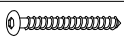
STEP 8

PARTS REQUIRED

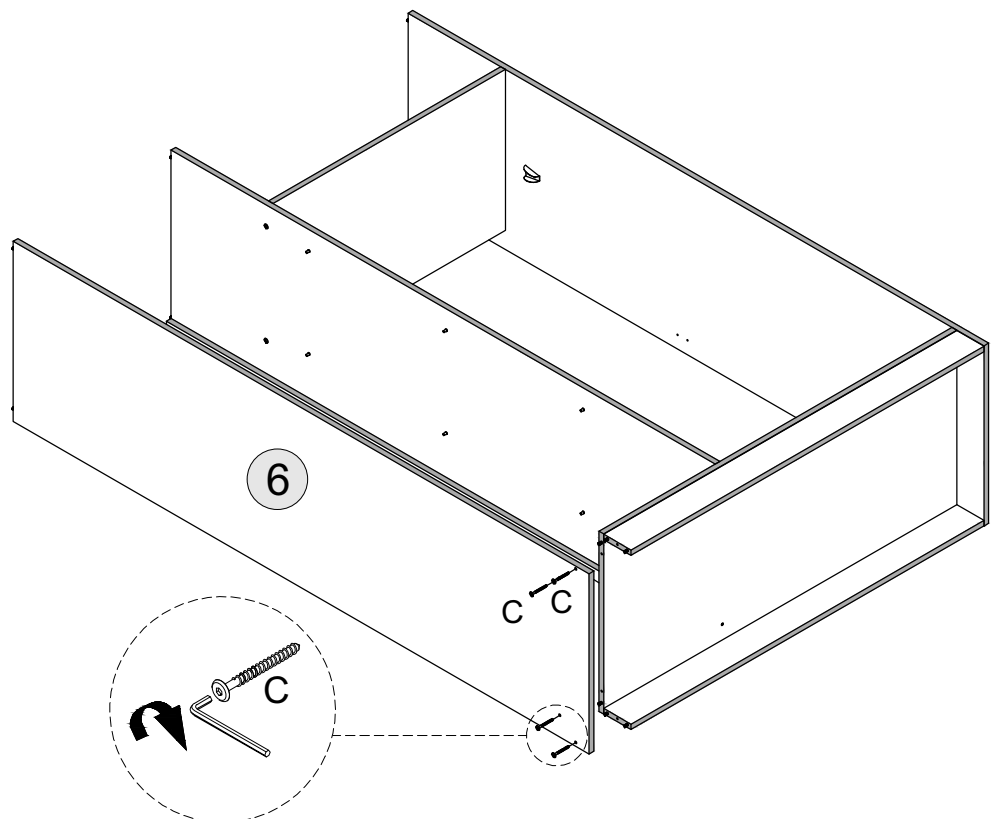
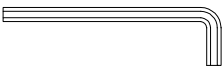
6 - SIDE PANEL - RIGHT x1



HARDWARE REQUIRED

C  04

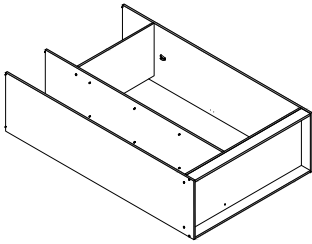
TOOLS REQUIRED



STEP 9

PARTS REQUIRED

7 - TOP PANEL x1



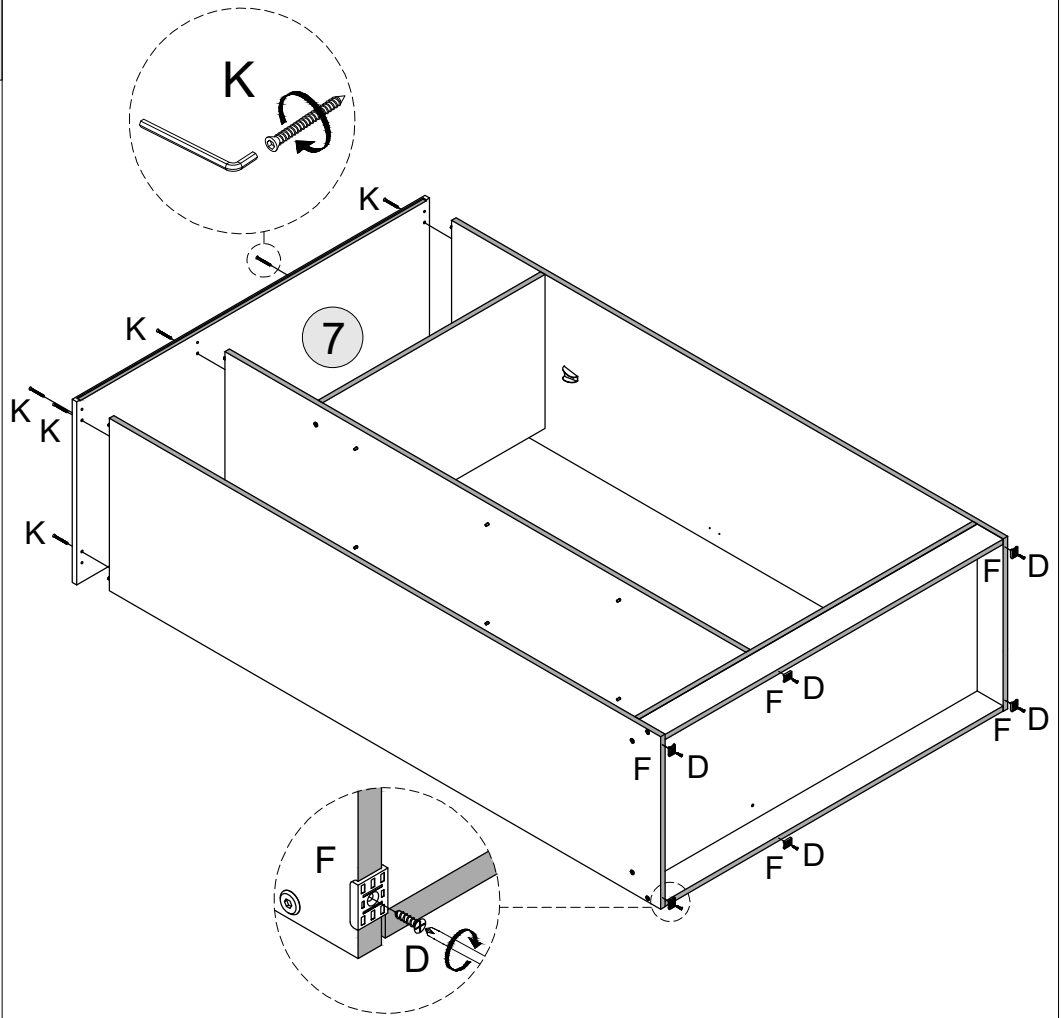
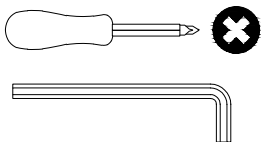
HARDWARE REQUIRED

D  06

F  06

K  06

TOOLS REQUIRED

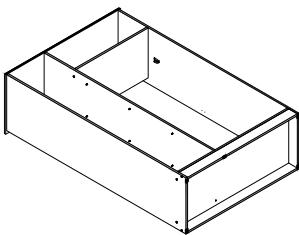


STEP 10


PARTS REQUIRED

8 - BACK PANEL I x2

9 - BACK PANEL II x2

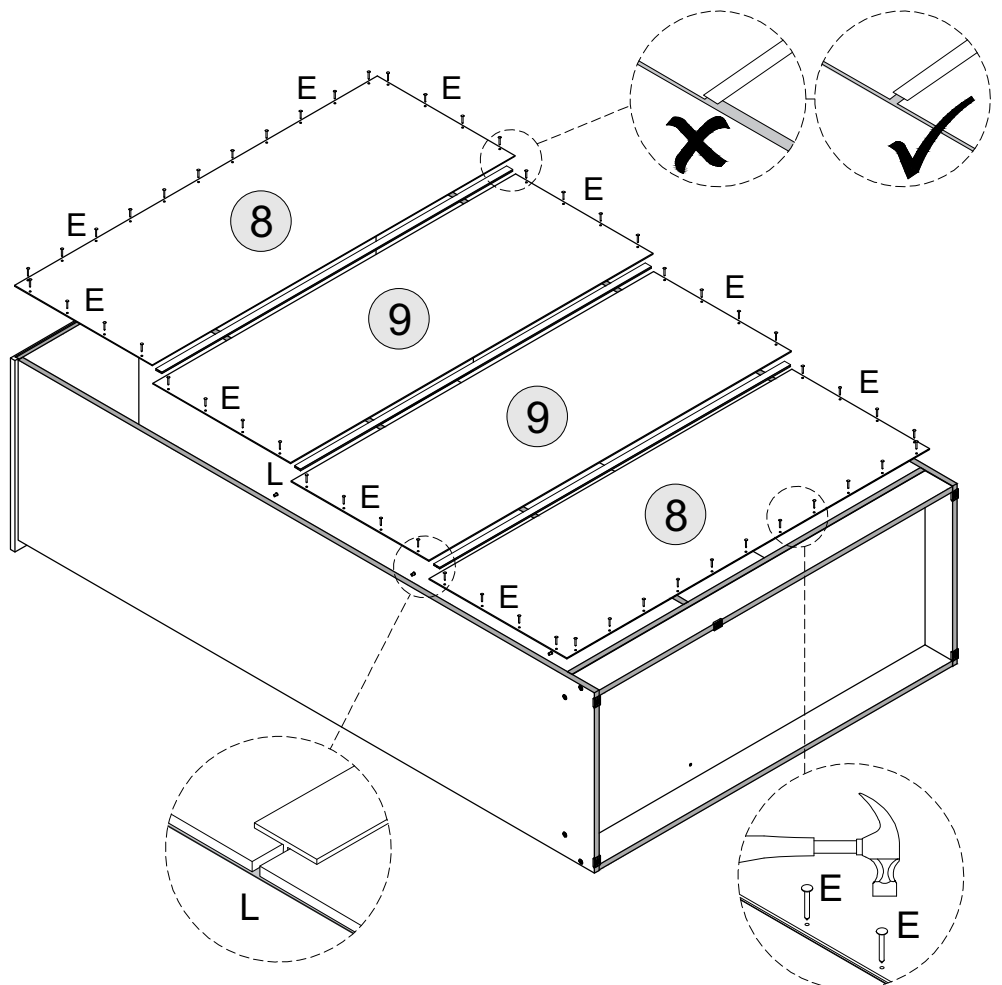
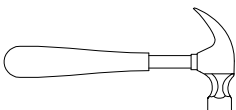


HARDWARE REQUIRED

E  54

L  03

TOOLS REQUIRED



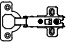
STEP 11

PARTS REQUIRED

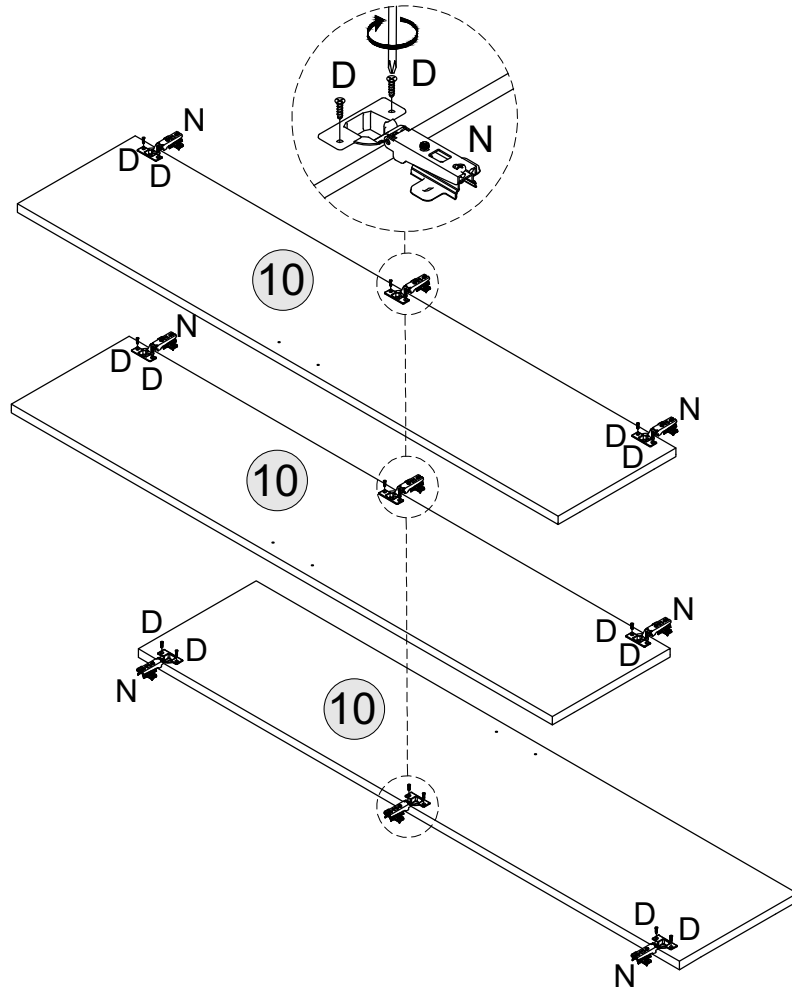
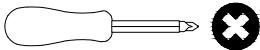
10 - DOORS x3

HARDWARE REQUIRED

D  18

N  09

TOOLS REQUIRED

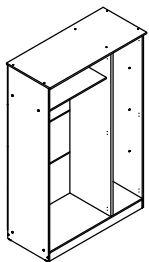


STEP 12

PARTS REQUIRED

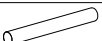
10 - DOORS x1

11 - SMALL SHELF PANEL x3



HARDWARE REQUIRED

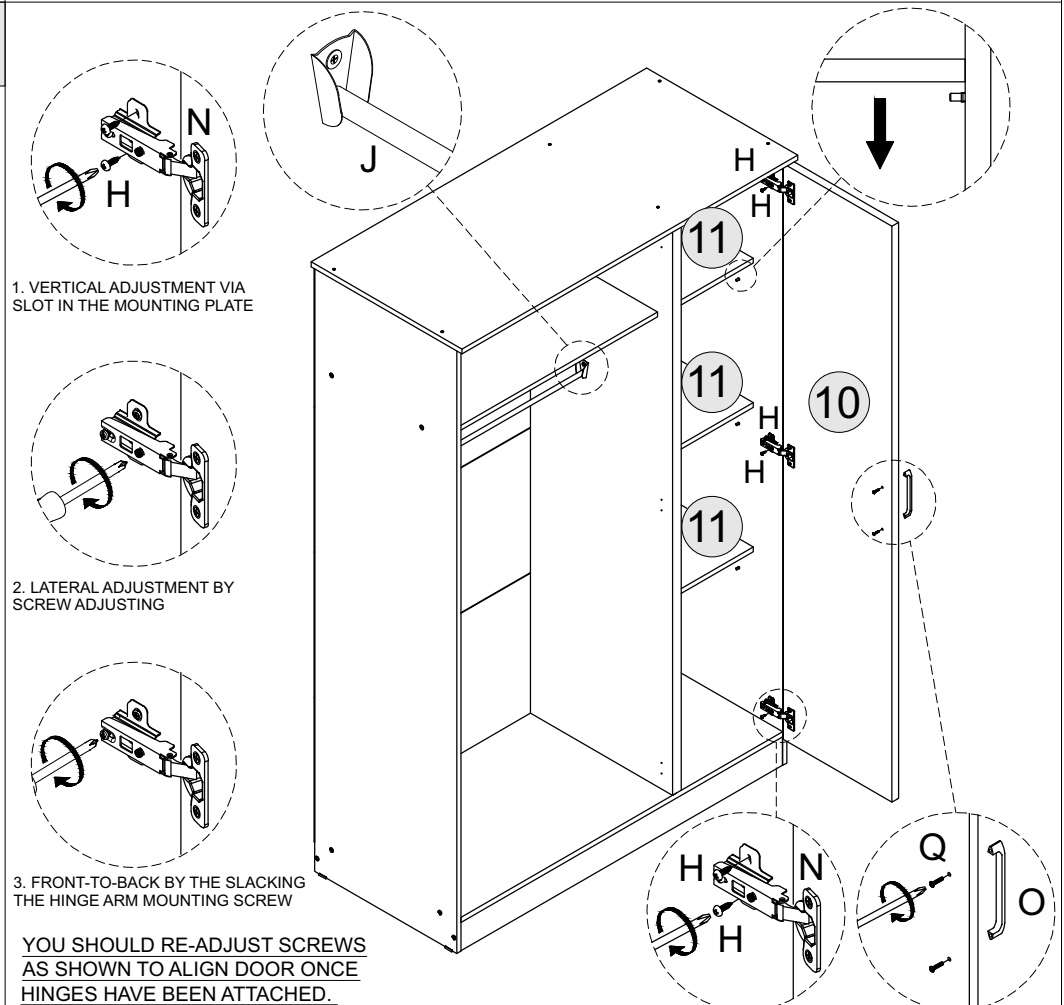
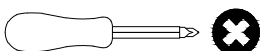
H  06

J  01

O  01

Q  02

TOOLS REQUIRED



1. VERTICAL ADJUSTMENT VIA SLOT IN THE MOUNTING PLATE

2. LATERAL ADJUSTMENT BY SCREW ADJUSTING

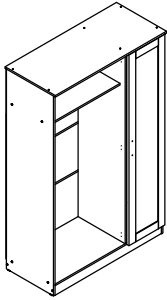
3. FRONT-TO-BACK BY THE SLACKING THE HINGE ARM MOUNTING SCREW

YOU SHOULD RE-ADJUST SCREWS AS SHOWN TO ALIGN DOOR ONCE HINGES HAVE BEEN ATTACHED.

STEP 13

PART REQUIRED

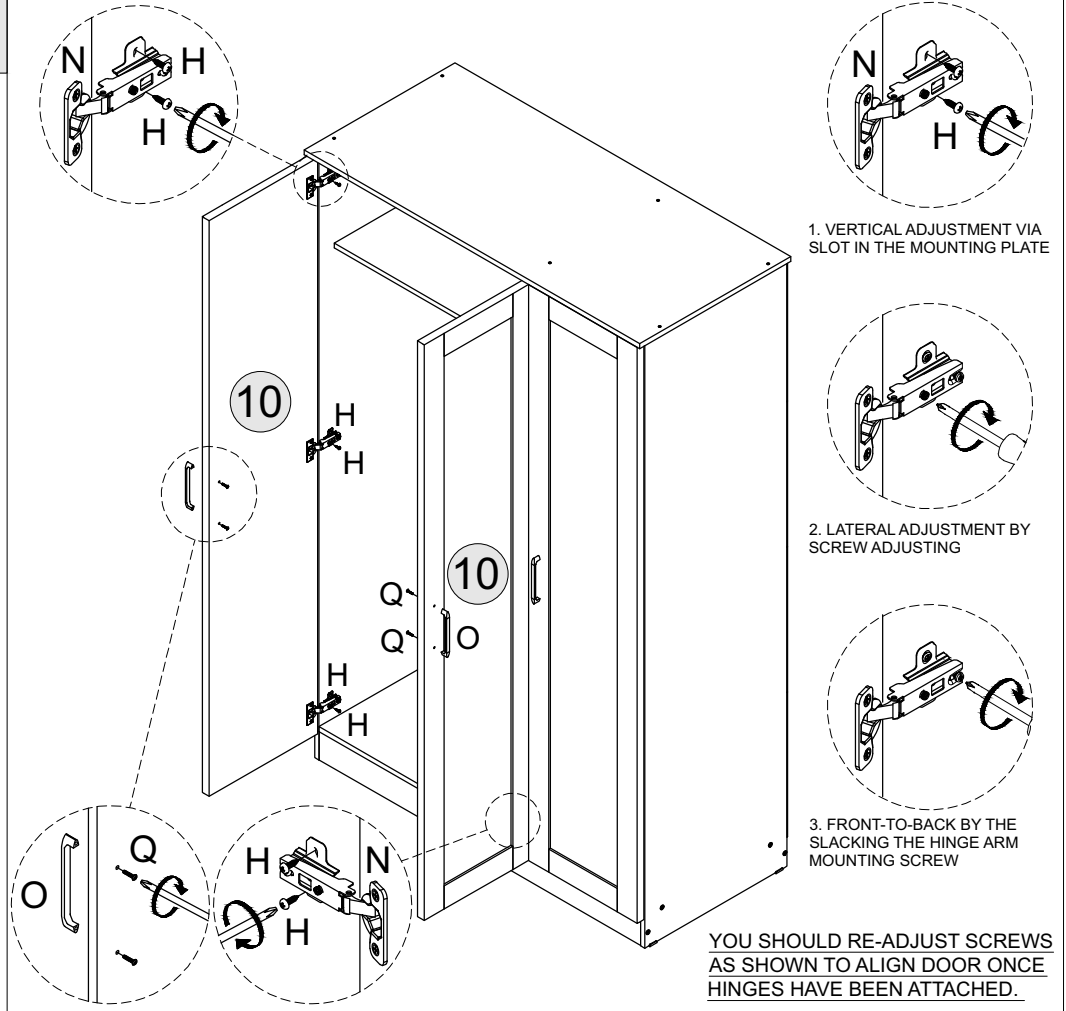
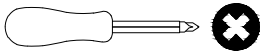
10 - DOORS x2



HARDWARE REQUIRED

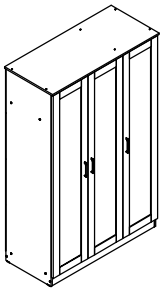
H		12
O		02
Q		04

TOOLS REQUIRED



STEP 14

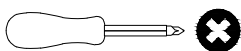
PARTS REQUIRED



HARDWARE REQUIRED

R		02
S		02

TOOLS REQUIRED



WARNING

Serious or fatal injuries can occur from furniture tipping over. To prevent the furniture from tipping over we recommend that it is permanently fixed to the wall.

Wall fixings are not supplied with this product as different wall materials require different types of fixing devices. Please make sure you use fixings suitable for the walls in your home.

