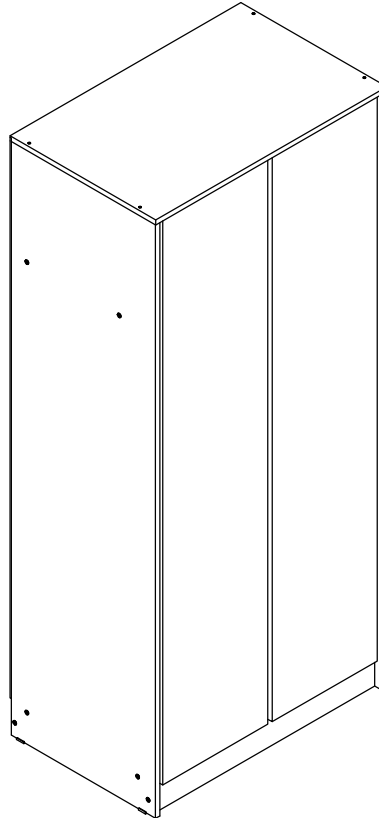


MALVERN 2 DOOR WARDROBE ASSEMBLY INSTRUCTIONS



**IMPORTANT
FOR DOMESTIC USE ONLY
PLEASE READ BEFORE YOU CONTINUE FURTHER**

THE PRODUCT YOU HAVE PURCHASED WILL GIVE YOU MANY YEARS OF SERVICE IF YOU FOLLOW THE GUIDELINES FOR ITS SAFE ASSEMBLY AND PERIODIC MAINTENANCE AND CLEANING.

ASSEMBLE ON A SOFT CLEAN SURFACE.

DO NOT USE ANY TOOLS OTHER THAN THOSE SHOWN.

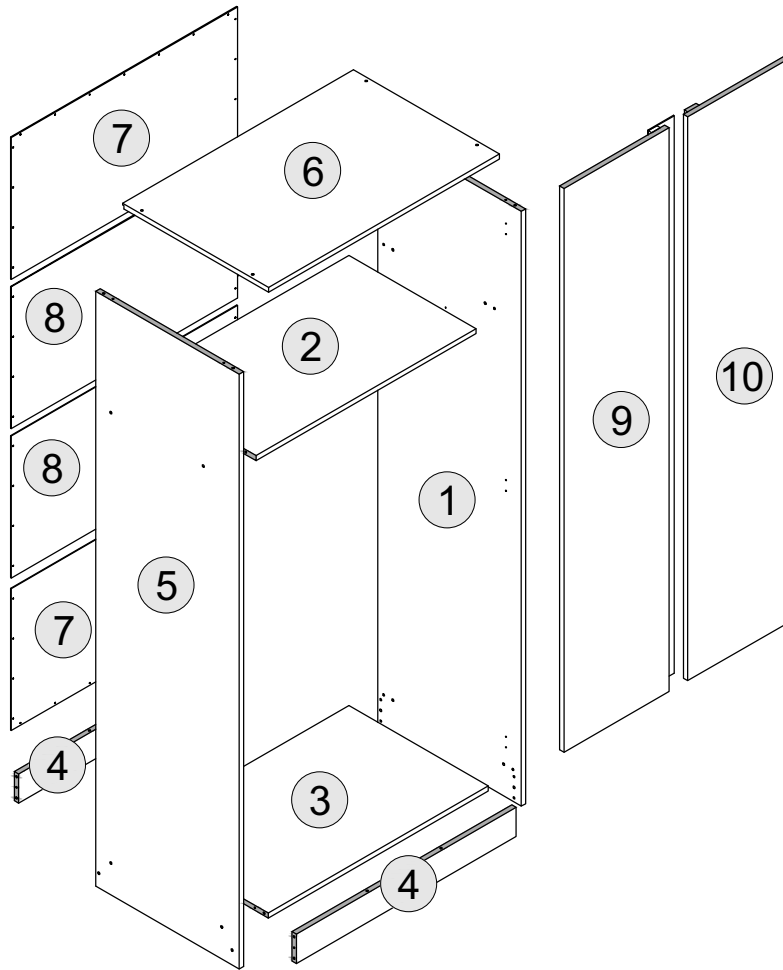
ANY SPANNERS OR ALLEN KEYS REQUIRED ARE INCLUDED WITH THE FITTINGS KIT.

DO NOT FOR ANY REASON USE A POWER TOOL TO ASSEMBLE THIS PRODUCT. ITS USE WILL INVALIDATE ANY CLAIM YOU MAY HAVE AND COULD MAKE THIS PRODUCT UNSAFE.

DEPENDING ON THE AMOUNT OF USE THIS PRODUCT RECEIVES IT MAY BE NECESSARY TO TIGHTEN UP THE FIXINGS FROM TIME TO TIME. THIS IS COMPLETELY NORMAL FOR ANY FLAT PACK FURNITURE. DO NOT OVERTIGHTEN FIXING.

FOR CLEANING, YOU MAY USE A DAMP CLOTH (NOT WET) DO NOT USE POLISH, DÉTERGENT OR CHEMICAL CLEANERS.



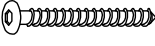
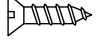
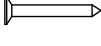

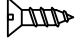




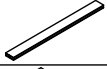
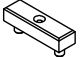



THE SURFACE OF THIS ITEM IS NOT HEAT RESISTANT. ALWAYS USE A PLACE MAT UNDER HOT OR COLD ITEMS TO PREVENT MARKING.



PART LIST

Part Number	Part Code	Part Description	Quantity	Carton
1	S100-101-194-EU1-01	Side Panel - Right	1	1/2
2	S100-101-194-EU1-02	Shelf Panel	1	2/2
3	S100-101-194-EU1-03	Bottom Panel	1	1/2
4	S100-101-194-EU1-04	Base Apron	2	2/2
5	S100-101-194-EU1-05	Side Panel - Left	1	1/2
6	S100-101-194-EU1-06	Top Panel	1	1/2
7	S100-101-194-EU1-07	Back Panel 1	2	2/2
8	S100-101-194-EU1-08	Back Panel 2	2	2/2
9	S100-101-194-EU1-09	Door - Left	1	2/2
10	S100-101-194-EU1-10	Door - Right	1	2/2

HARDWARE LIST

A		DOWEL 6 X 30MM	24 PCS
B		ALLEN KEY	1 PC
C		BOLT M6 X 50MM	12 PCS
D		SCREW M3.5 X 16MM	17 PCS
E		TACK	46 PCS
F		PLASTIC FOOT	4 PCS
G		SCREW M3.5 X 12MM	4 PCS
H		TAPPING SCREW M8 X 12MM	12 PCS
I		HANGING RAIL SUPPORT	2 PCS
J		HANGING RAIL	1 PC
K		SCREW M6 X 50MM	4 PCS
L		PLASTIC H STRIP	3 PCS
M		PVC STOPPER	1 PC
N		HINGES 7/8	6 PCS
O		ANTI - TIP STRAP	2 PCS
P		SCREW M4 X 16MM	2 PCS

STEP 1

PARTS REQUIRED

1 - SIDE PANEL - RIGHT x1

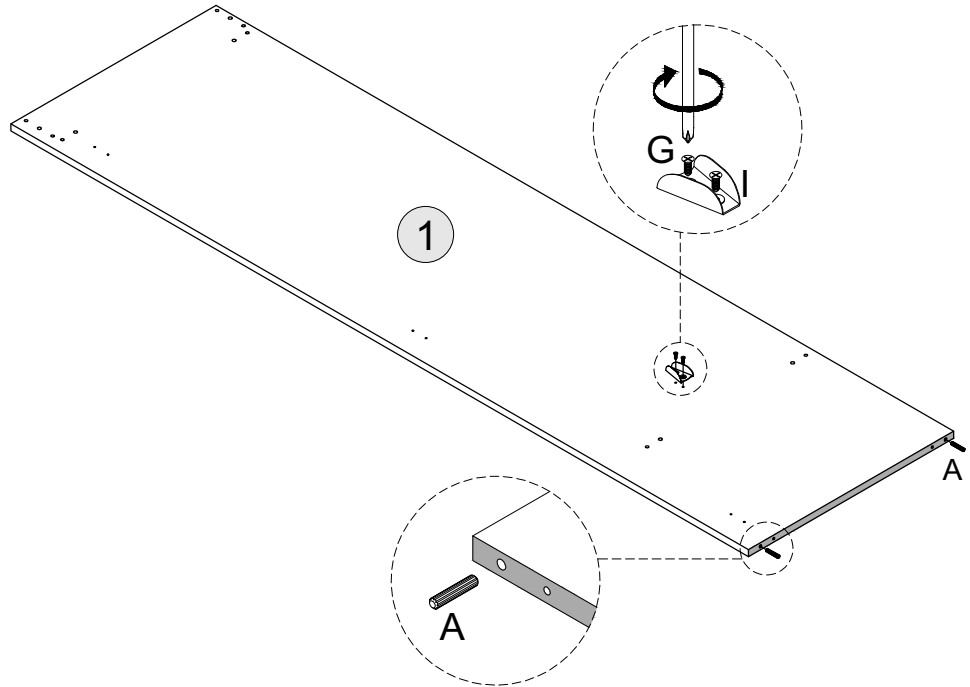
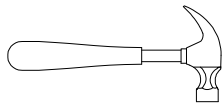
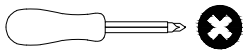
HARDWARE REQUIRED

A  02

G  02

I  01

TOOLS REQUIRED



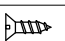
STEP 2

PARTS REQUIRED

5 - SIDE PANEL - LEFT x1

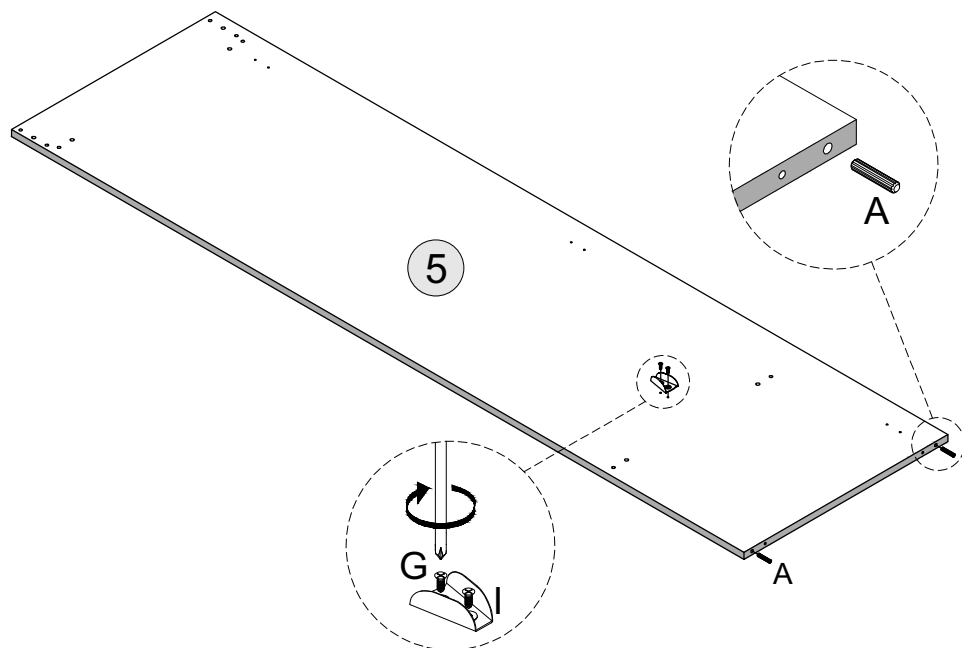
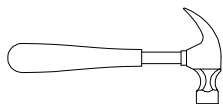
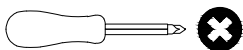
HARDWARE REQUIRED

A  02

G  02

I  01

TOOLS REQUIRED



STEP 3

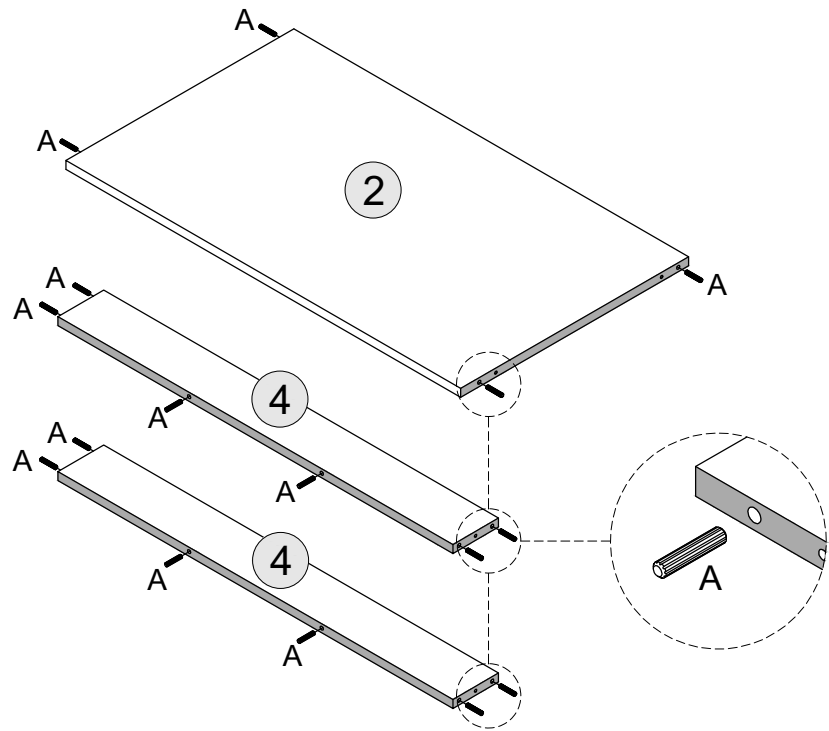
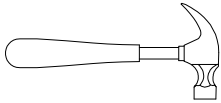
PARTS REQUIRED

2 - SHELF PANEL	x1
4 - BASE APRON	x2

HARDWARE REQUIRED

A		16
---	---	----

TOOLS REQUIRED



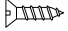
STEP 4


PARTS REQUIRED

3 - BOTTOM PANEL	x1
6 - TOP PANEL	x1

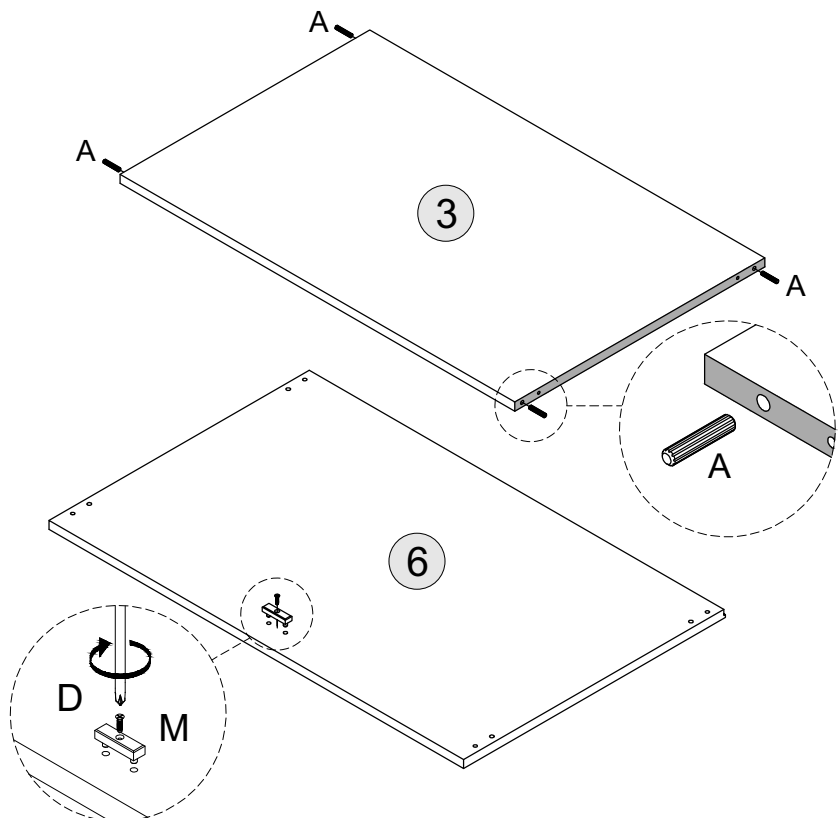
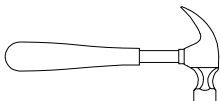
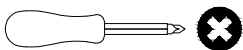
HARDWARE REQUIRED

A		04
---	---	----

D		01
---	---	----

M		01
---	---	----

TOOLS REQUIRED



STEP 5

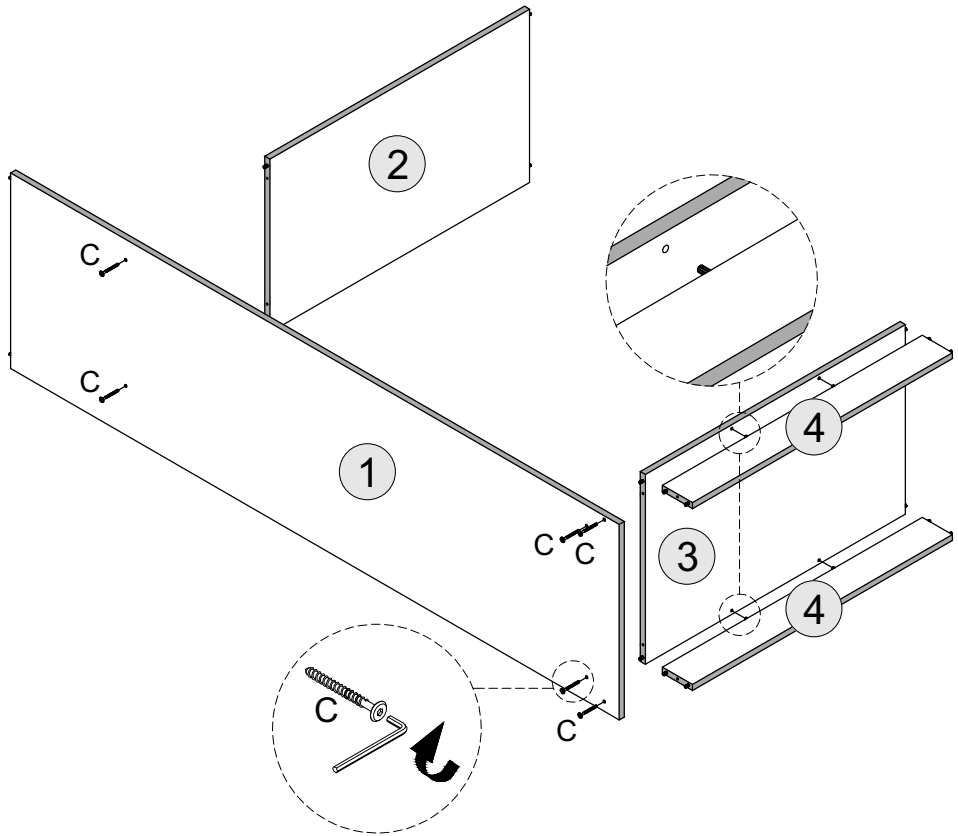
PARTS REQUIRED

1 - SIDE PANEL - RIGHT	x1
2 - SHELF PANEL	x1
3 - BOTTOM PANEL	x1
4 - BASE APRON	x2

HARDWARE REQUIRED

C		06
---	---	----

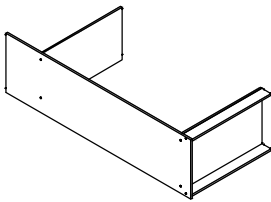
TOOLS REQUIRED



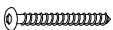
STEP 6

PARTS REQUIRED

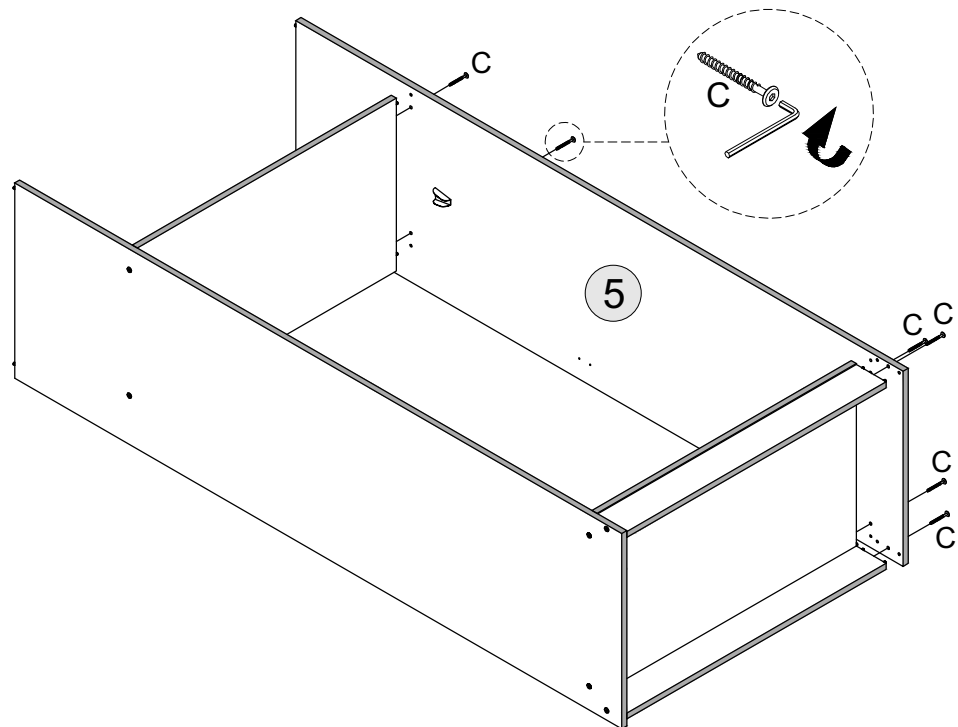
5 - SIDE PANEL - LEFT	x1
-----------------------	----



HARDWARE REQUIRED

C		06
---	---	----

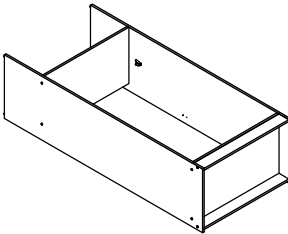
TOOLS REQUIRED



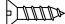
STEP 7


PARTS REQUIRED


6 - TOP PANEL x1



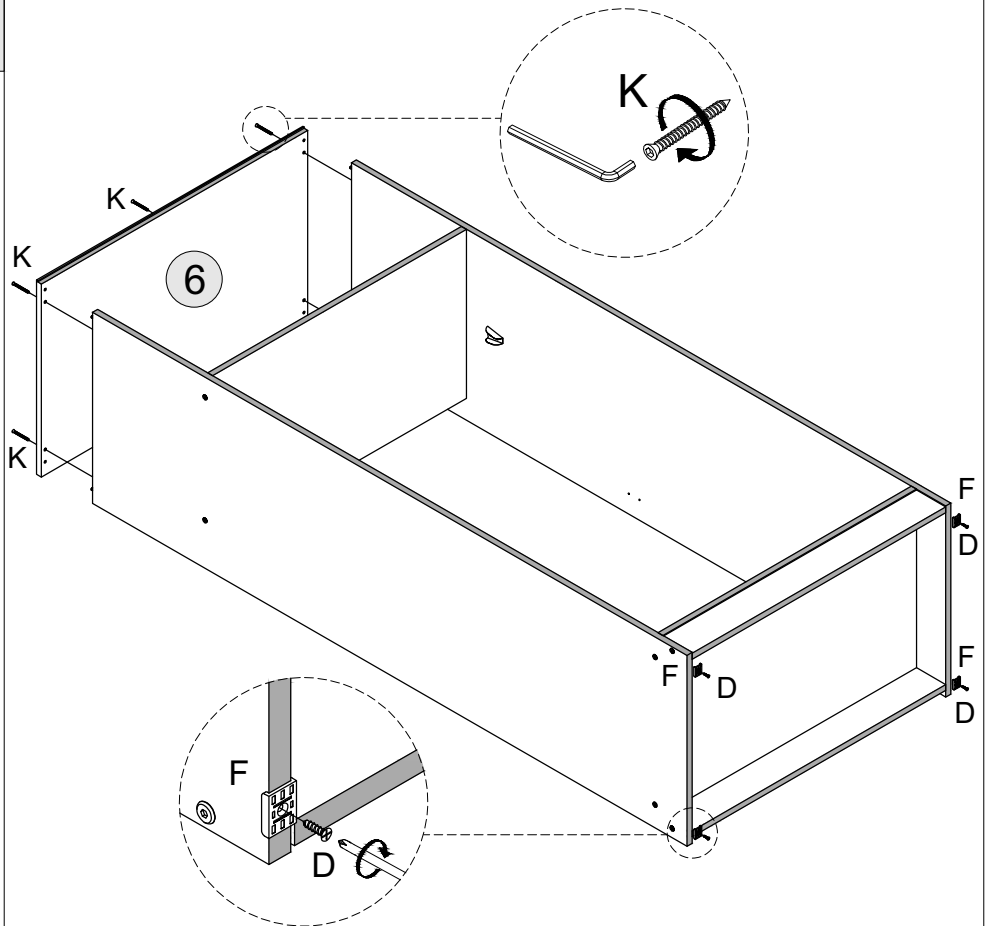
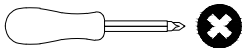
HARDWARE REQUIRED

D  04

F  04

K  04

TOOLS REQUIRED

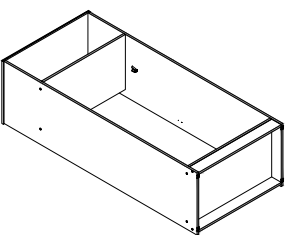


STEP 8

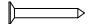
PARTS REQUIRED

7 - BACK PANEL 1 x2

8 - BACK PANEL 2 x2

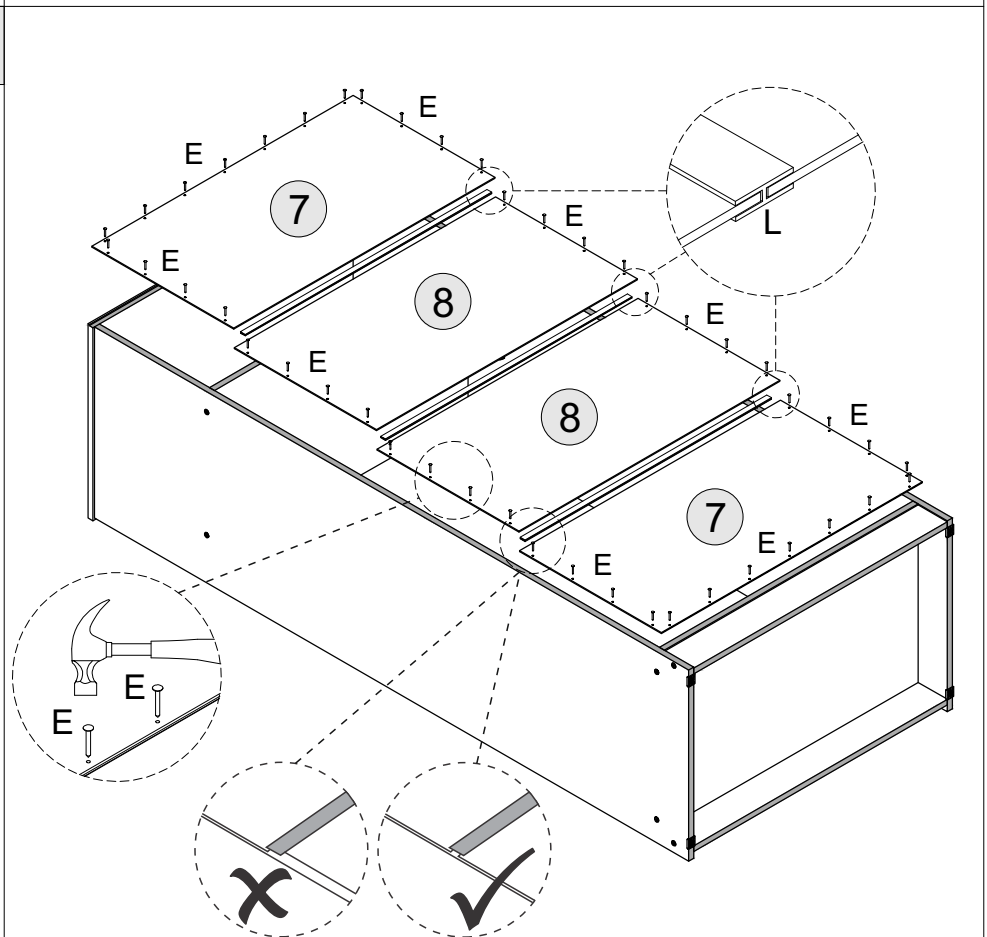
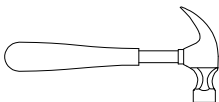


HARDWARE REQUIRED

E  46

L  03

TOOLS REQUIRED

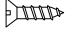



STEP 9

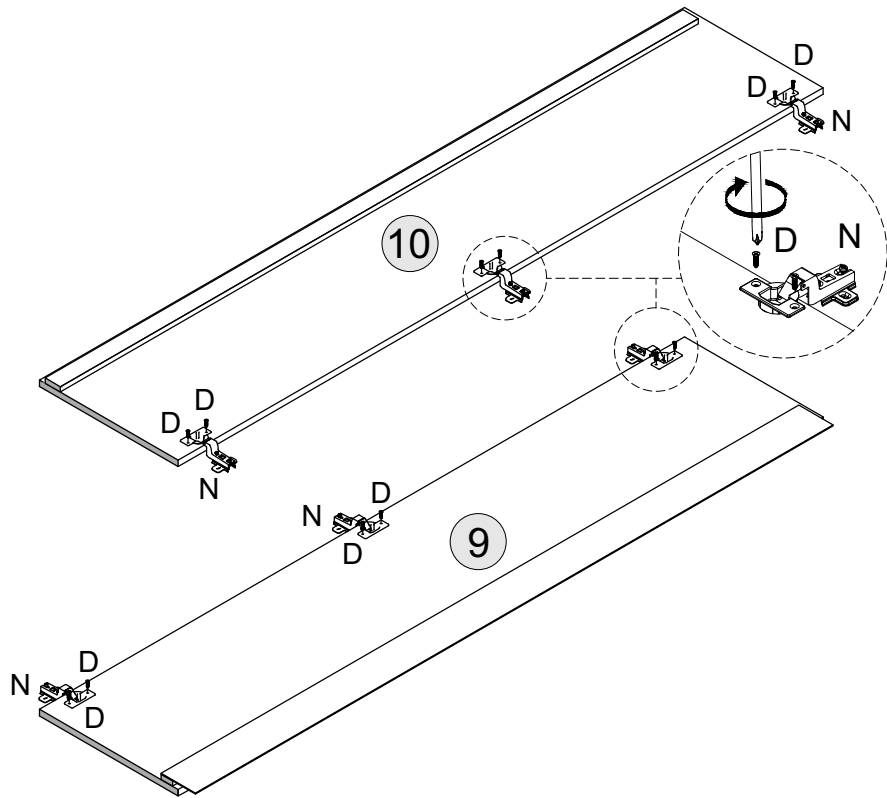
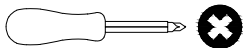
PARTS REQUIRED

9 - DOOR - LEFT	x1
10 - DOOR - RIGHT	x1

HARDWARE REQUIRED

D		12
N		06

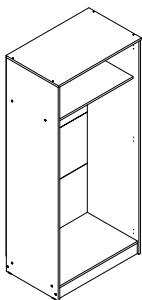
TOOLS REQUIRED




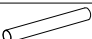
STEP 10

PARTS REQUIRED

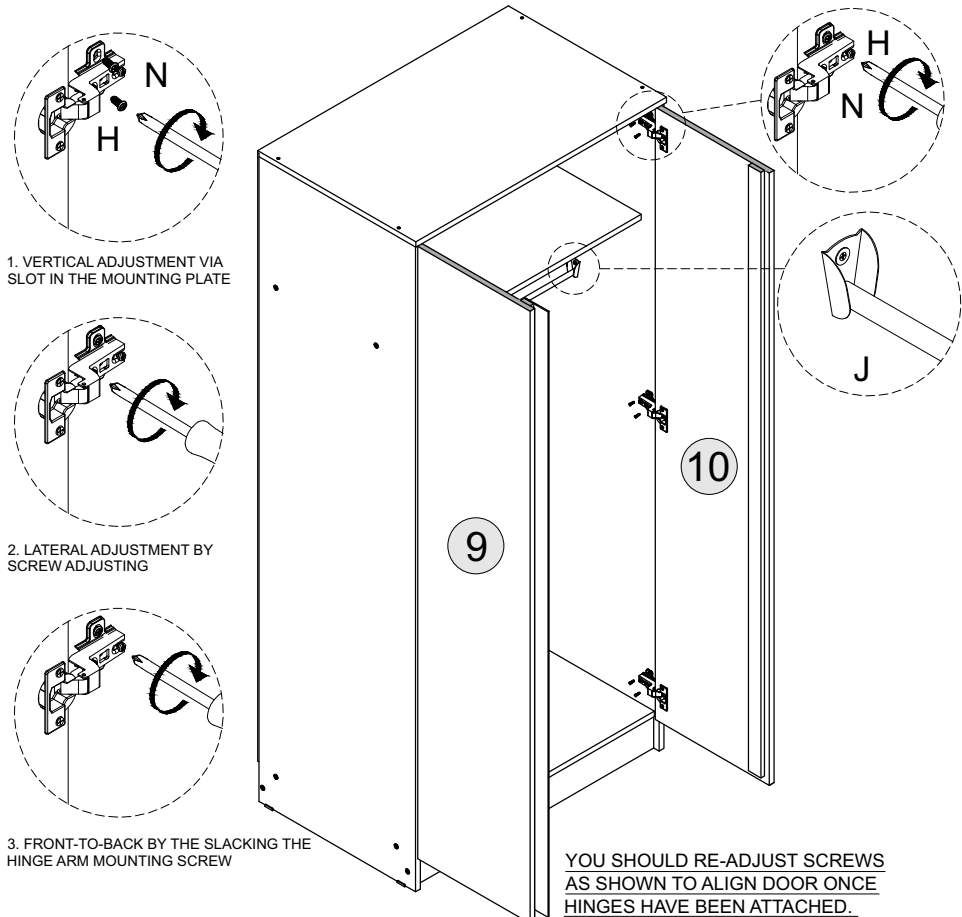
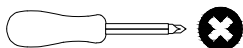
9 - DOOR - LEFT	x1
10 - DOOR - RIGHT	x1

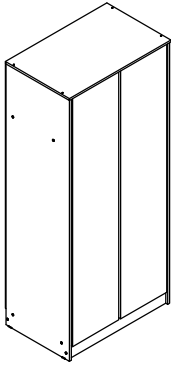


HARDWARE REQUIRED

H		12
J		01

TOOLS REQUIRED



STEP 11PART REQUIREDHARDWARE REQUIREDTOOLS REQUIRED**WARNING**

Serious or fatal injuries can occur from furniture tipping over. To prevent the furniture from tipping over we recommend that it is permanently fixed to the wall.

Wall fixings are not supplied with this product as different wall materials require different types of fixing devices. Please make sure you use fixings suitable for the walls in your home.

