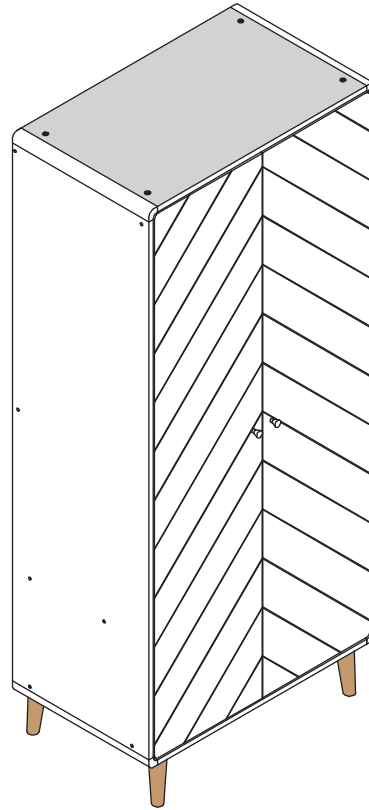


DIXIE 2 DOOR WARDROBE ASSEMBLY INSTRUCTIONS



**FOR DOMESTIC USE ONLY
IMPORTANT**

PLEASE READ BEFORE YOU CONTINUE FURTHER

THE PRODUCT YOU HAVE PURCHASED WILL GIVE YOU MANY YEARS OF SERVICE IF YOU FOLLOW THE GUIDELINES FOR ITS SAFE ASSEMBLY AND PERIODIC MAINTENANCE AND CLEANING.

ASSEMBLE ON A SOFT CLEAN SURFACE.

DO NOT USE ANY TOOLS OTHER THAN THOSE SHOWN.

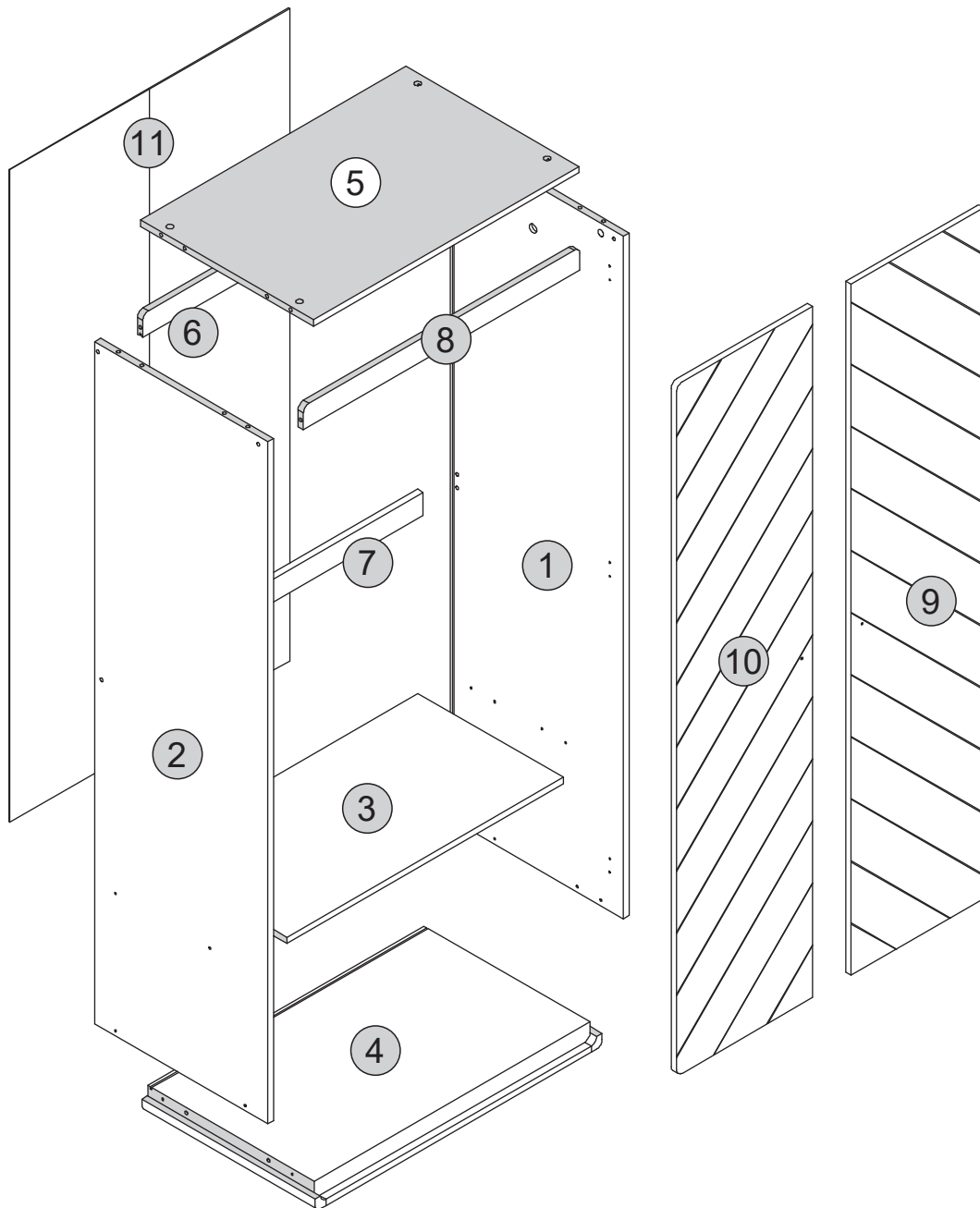
ANY SPANNERS OR ALLEN KEYS REQUIRED ARE INCLUDED WITH THE FITTING KIT.

DO NOT FOR ANY REASON USE A POWER TOOL TO ASSEMBLE THIS PRODUCT. ITS USE WILL INVALIDATE ANY CLAIM YOU MAY HAVE AND COULD MAKE THIS PRODUCT UNSAFE.

DEPENDING ON THE AMOUNT OF USE THIS PRODUCT RECEIVES, IT MAY BE NECESSARY TO TIGHTEN UP THE FIXINGS FROM TIME TO TIME. THIS IS COMPLETELY NORMAL FOR ANY FLAT PACK FURNITURE. DO NOT OVERTIGHTEN FIXINGS.

FOR CLEANING, YOU MAY USE A DAMP CLOTH (NOT WET). DO NOT USE POLISH, DETERGENT OR CHEMICAL CLEANERS.

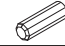











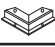

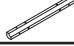


THIS SURFACE OF THIS ITEM IS NOT HEAT RESISTANT. ALWAYS USE A PLACE MAT UNDER HOT OR COLD ITEMS TO PREVENT MARKING.



PART LIST

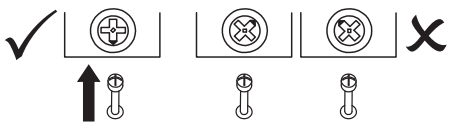
Part Number	Part Code	Part Description	Quantity	Carton
1	S100-101-176-ZF1-01	Right Side Panel	1	1/2
2	S100-101-176-ZF1-02	Left Side Panel	1	1/2
3	S100-101-176-ZF1-03	Shelf Panel	1	2/2
4	S100-101-176-ZF1-04	Bottom Panel	1	2/2
5	S100-101-176-ZF1-05	Top Panel	1	2/2
6	S100-101-176-ZF1-06	Back Support Panel	1	2/2
7	S100-101-176-ZF1-07	Centre Support Panel	1	2/2
8	S100-101-176-ZF1-08	Front Support Panel	1	2/2
9	S100-101-176-ZF1-09	Right Door	1	1/2
10	S100-101-176-ZF1-10	Left Door	1	1/2
11	S100-101-176-ZF1-11	Back Panel	1	1/2

HARDWARE LIST

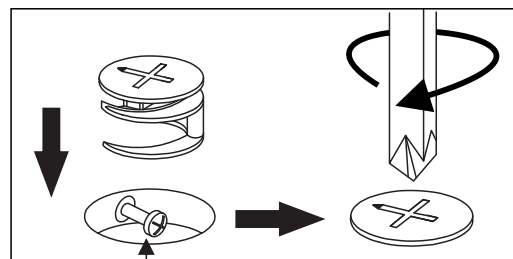
No	Part Name		Qty	Carton
A	M8x30mm Wooden Dowel		x18	1
B	Minifix Cam Bolt <i>(8032t)</i>		x8	1
C	Minifix Cam Nut <i>(1512)</i>		x8	1
D	M6.3x40mm Unitar Screw		x14	1
E	M3.5x16mm Screw		x28	1
F	M4x20mm Screw		x20	1
G	M4x25mm Screw		x2	1
H	Handle		x2	1
I	End Hinges <i>(M11)</i>		x6	1
J	PVC L-Bracket		x1	1
K	Screw Cover <i>(Sticker 22mm)</i>		x18	1
L	PVC Leg 160mm		x4	2
M	Corner Support <i>(AC101)</i>		x2	1
N	Allen Key M4		x1	1
O	Joining Panel <i>(470x30x30mm)</i>		x2	1
P	Wall Fixing <i>(4x20mm=1pc)</i>		x1	1
Q	Hanging Rail <i>(764mm)</i>		x1	1

TIPS FOR FITTINGS CAM-LOCKS

WHEN FITTING CAM NUT. ENSURE STARTING POSITION IS CORRECT BEFORE YOU INSERT CONNECTING CAM BOLT TURN CLOCKWISE UNTIL SECURE



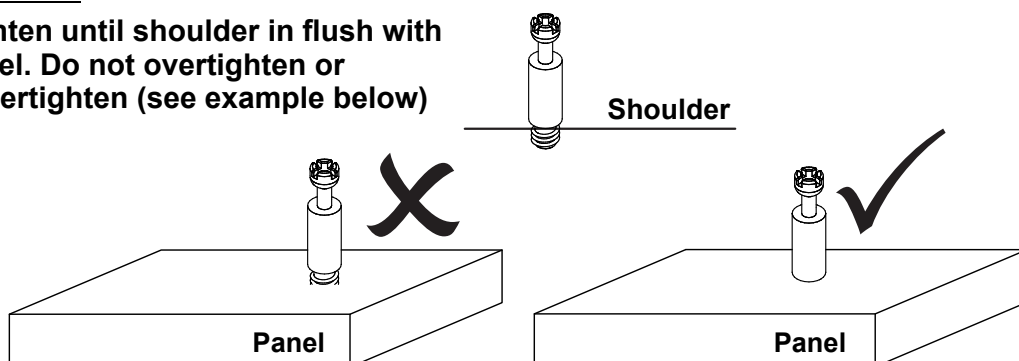
CORRECT
WRONG



Cam bolt head needs to be in centre

CAMBOLT

Tighten until shoulder in flush with panel. Do not overtighten or undertighten (see example below)



STEP 1

PARTS REQUIRED

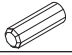
3 - SHELF PANEL x1

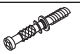
4 - BOTTOM PANEL x1

5 - TOP PANEL x1

7 - SUPPORT PANEL x1

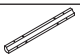
HARDWARE REQUIRED

A  18

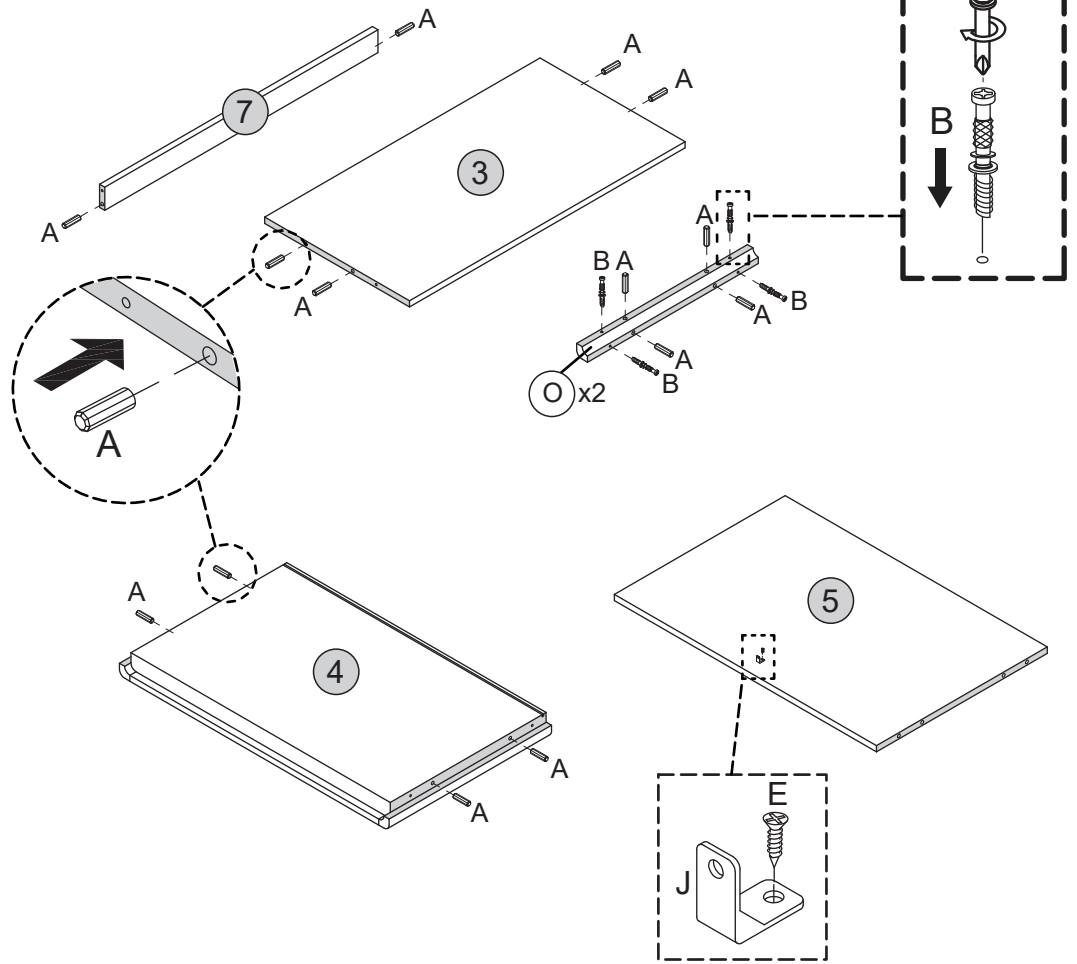
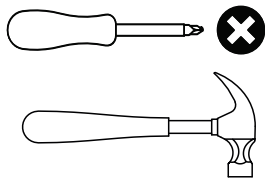
B  08

E  01
3.5x16mm

J  01

O  02

TOOLS REQUIRED



STEP 2

PARTS REQUIRED

1 - RIGHT RIGHT SIDE PANEL x1

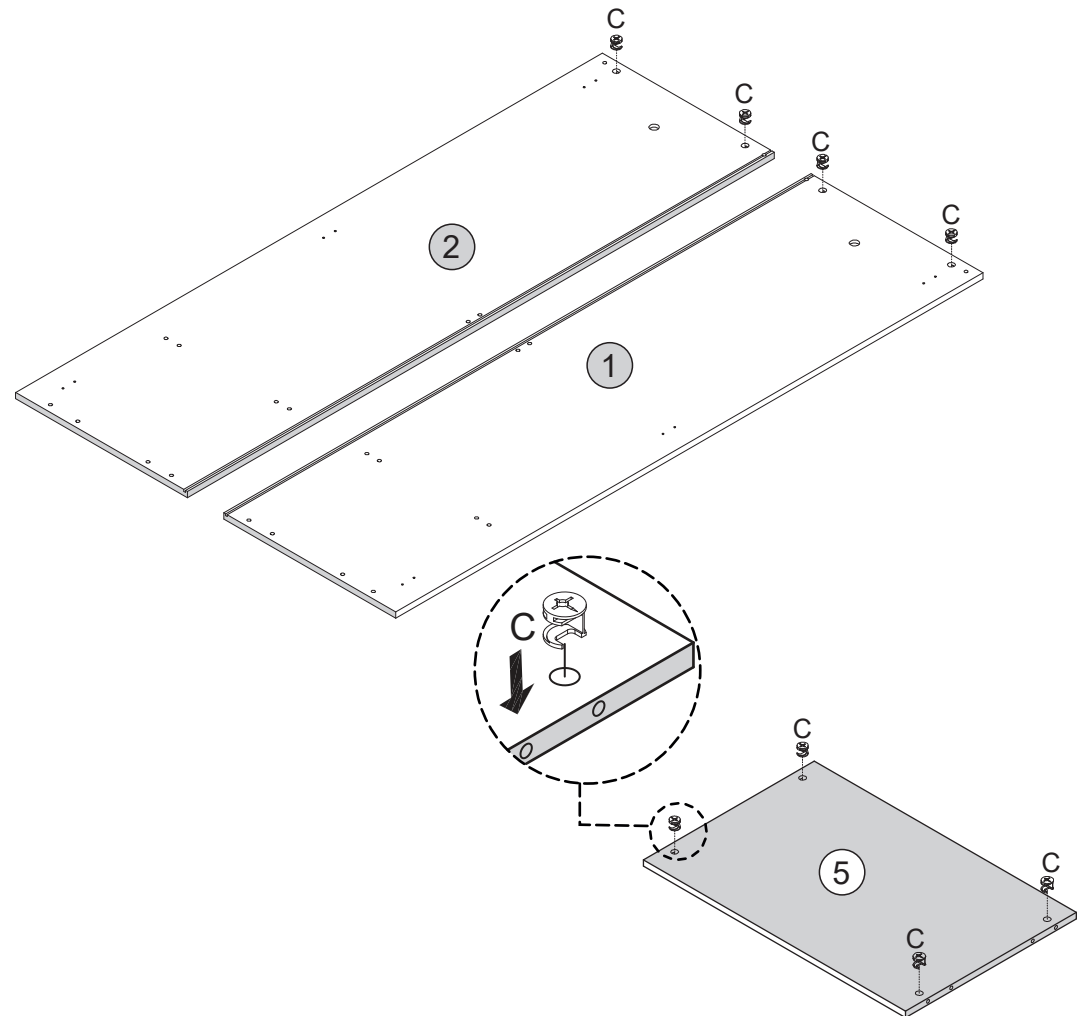
2 - LEFT SIDE PANEL x1

5 - TOP PANEL x1

HARDWARE REQUIRED

C  08

TOOLS REQUIRED




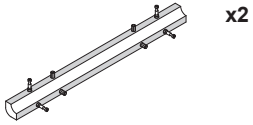
STEP 3

PARTS REQUIRED

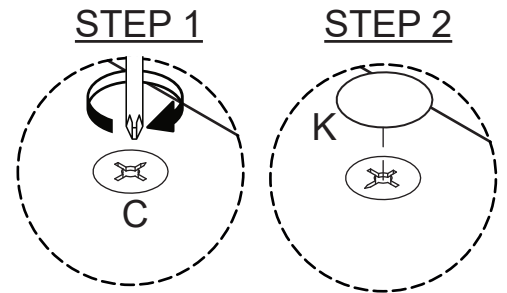
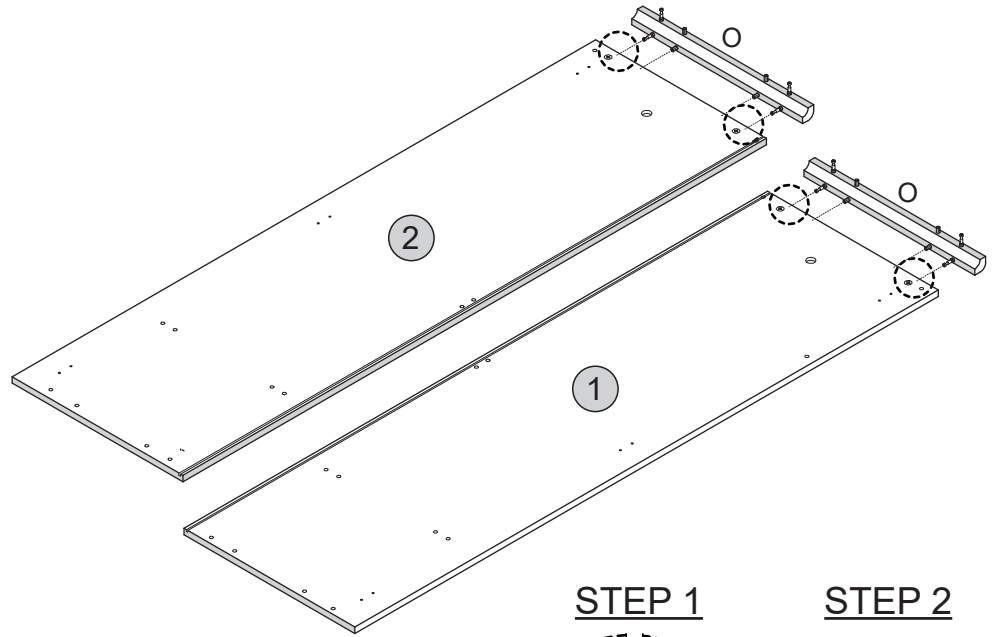
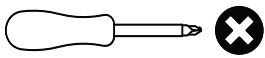
- 1 - RIGHT SIDE PANEL x1
- 2 - LEFT SIDE PANEL x1

HARDWARE REQUIRED

- K  04



TOOLS REQUIRED




STEP 4

PARTS REQUIRED

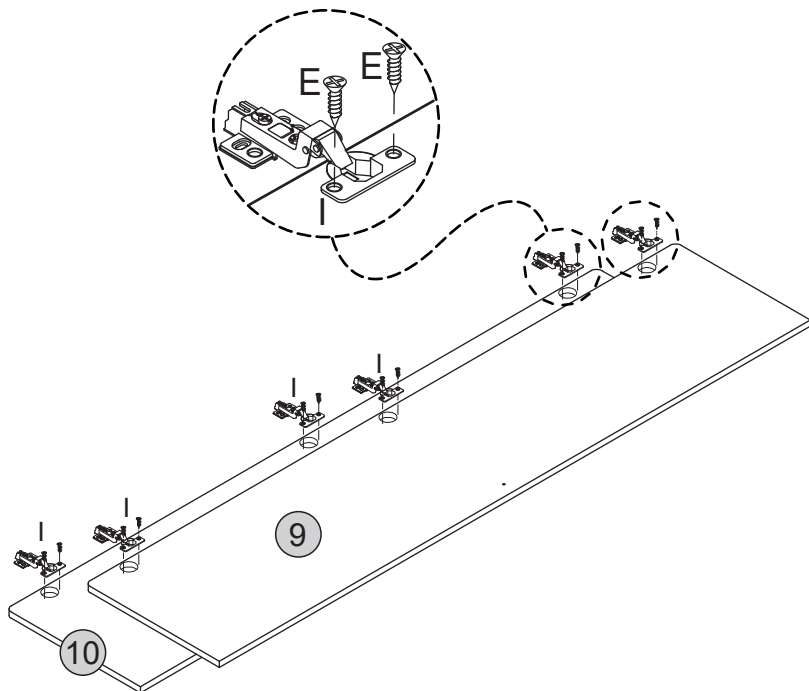
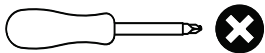
- 9 - RIGHT DOOR x1
- 10 - LEFT DOOR x1

HARDWARE REQUIRED

- E  12
3.5x16mm

- I  06

TOOLS REQUIRED





STEP 5

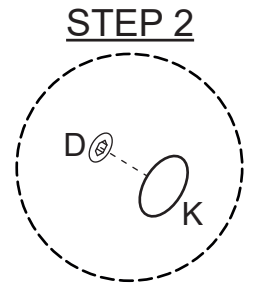
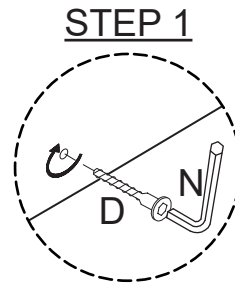
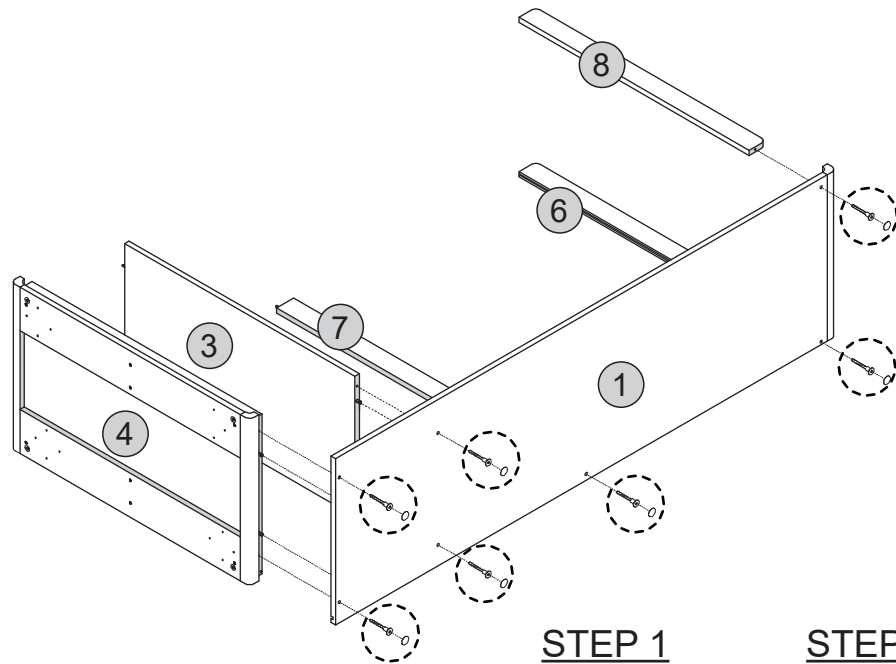
PARTS REQUIRED

1 - RIGHT SIDE PANEL	x1
3 - SHELF PANEL	x1
4 - BOTTOM PANEL	x1
6 - BACK SUPPORT PANEL	x1
7 - SUPPORT PANEL	x1
8 - FRONT SUPPORT PANEL	x1

HARDWARE REQUIRED

D		07
K		07

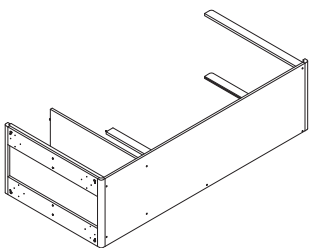
TOOLS REQUIRED



STEP 6

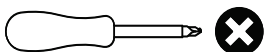
PARTS REQUIRED

5 - TOP PANEL	x1
---------------	----

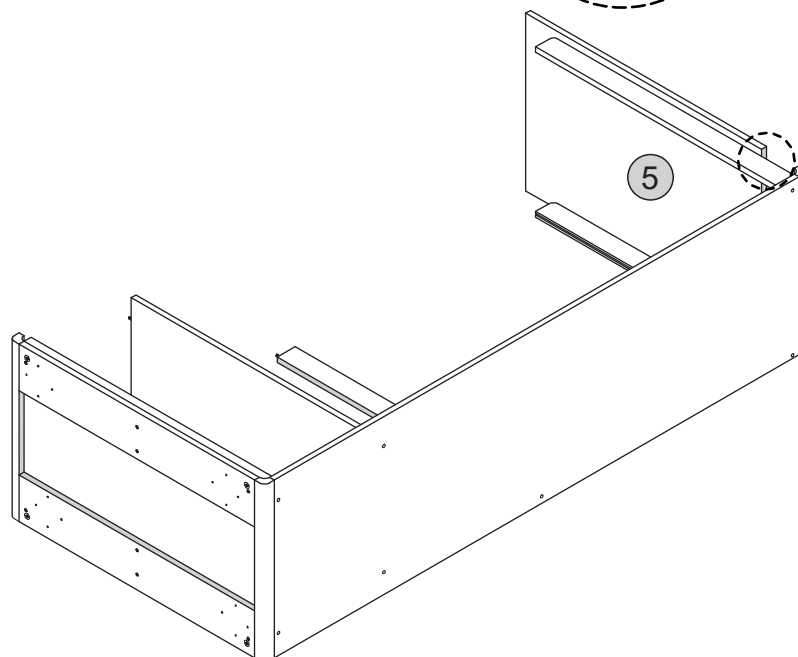
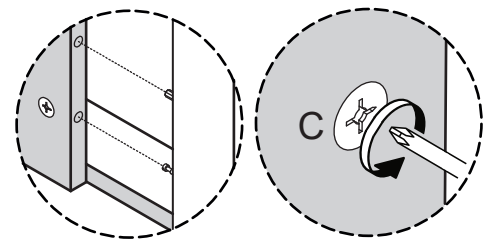


HARDWARE REQUIRED

TOOLS REQUIRED



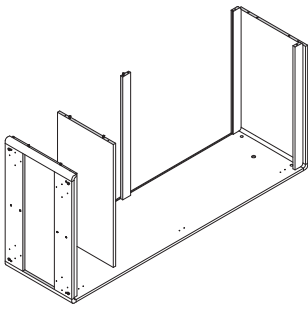
TOP VIEW



STEP 7

PARTS REQUIRED

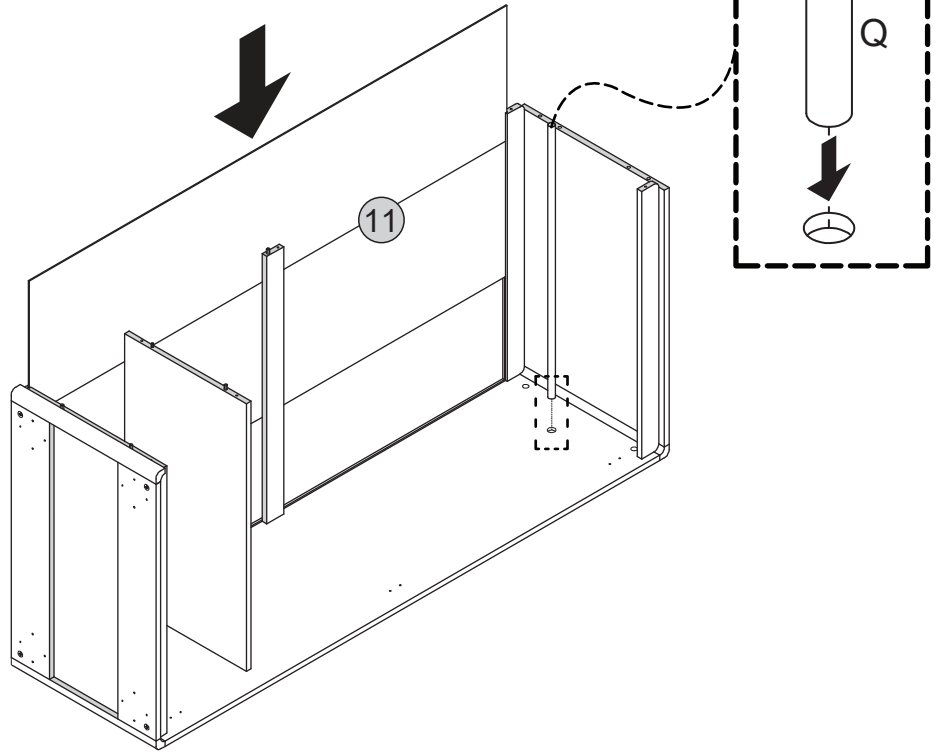
11 - BACK PANEL x1



HARDWARE REQUIRED

Q  01

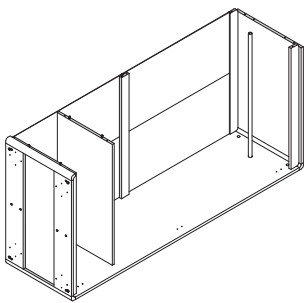
TOOLS REQUIRED



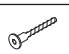
STEP 8

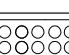
PARTS REQUIRED

2 - LEFT SIDE PANEL x1

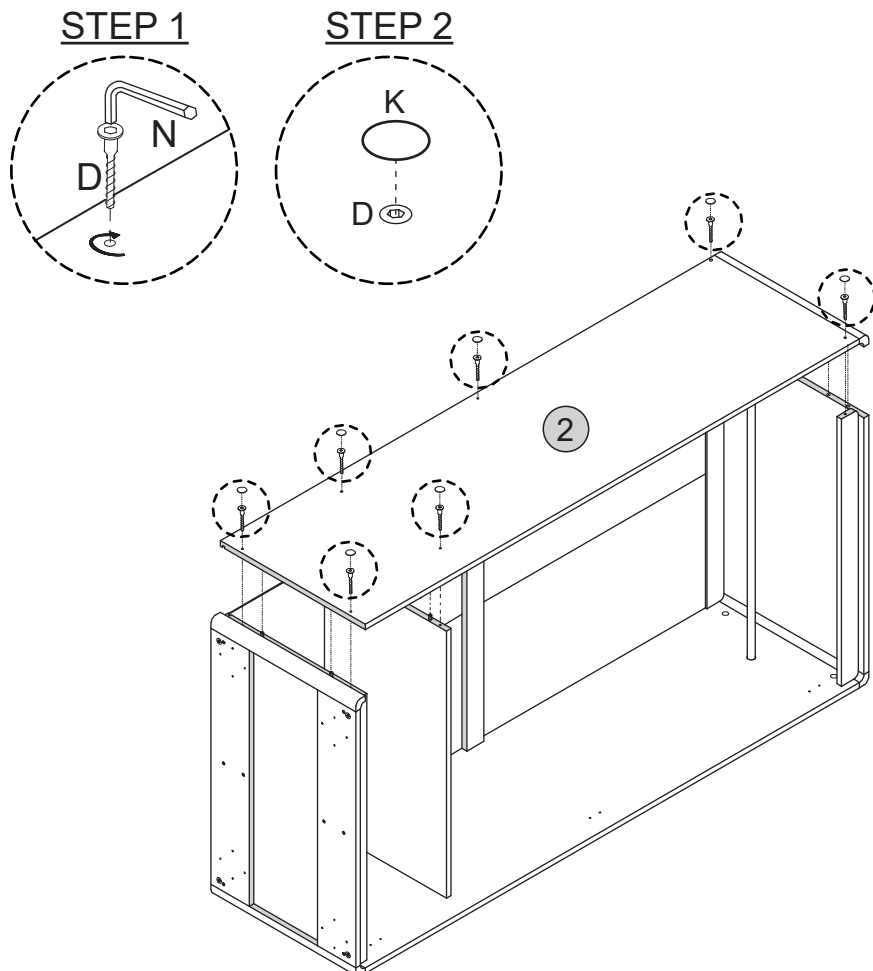
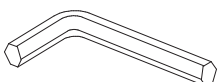


HARDWARE REQUIRED

D  07

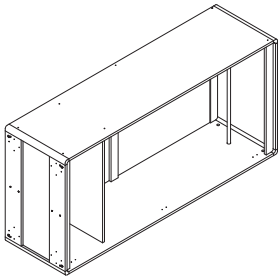
K  07

TOOLS REQUIRED



STEP 9

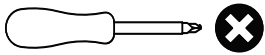
PARTS REQUIRED



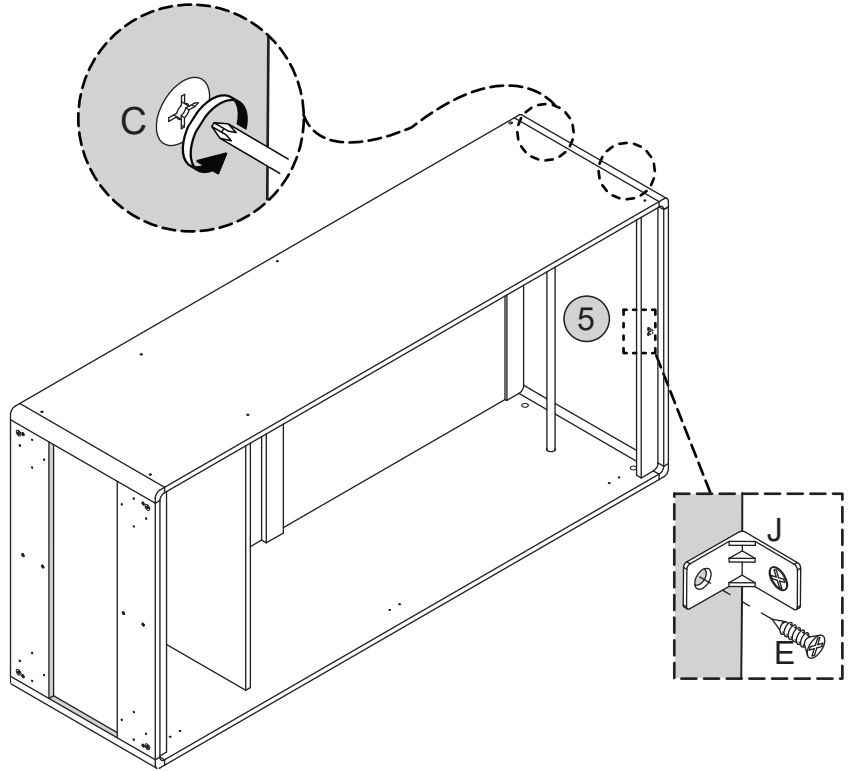
HARDWARE REQUIRED

E		01
3.5x16mm		

TOOLS REQUIRED

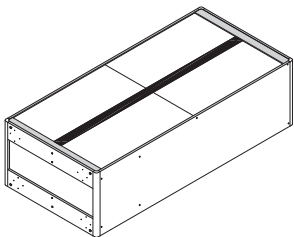


TOP VIEW



STEP 10


PARTS REQUIRED




HARDWARE REQUIRED

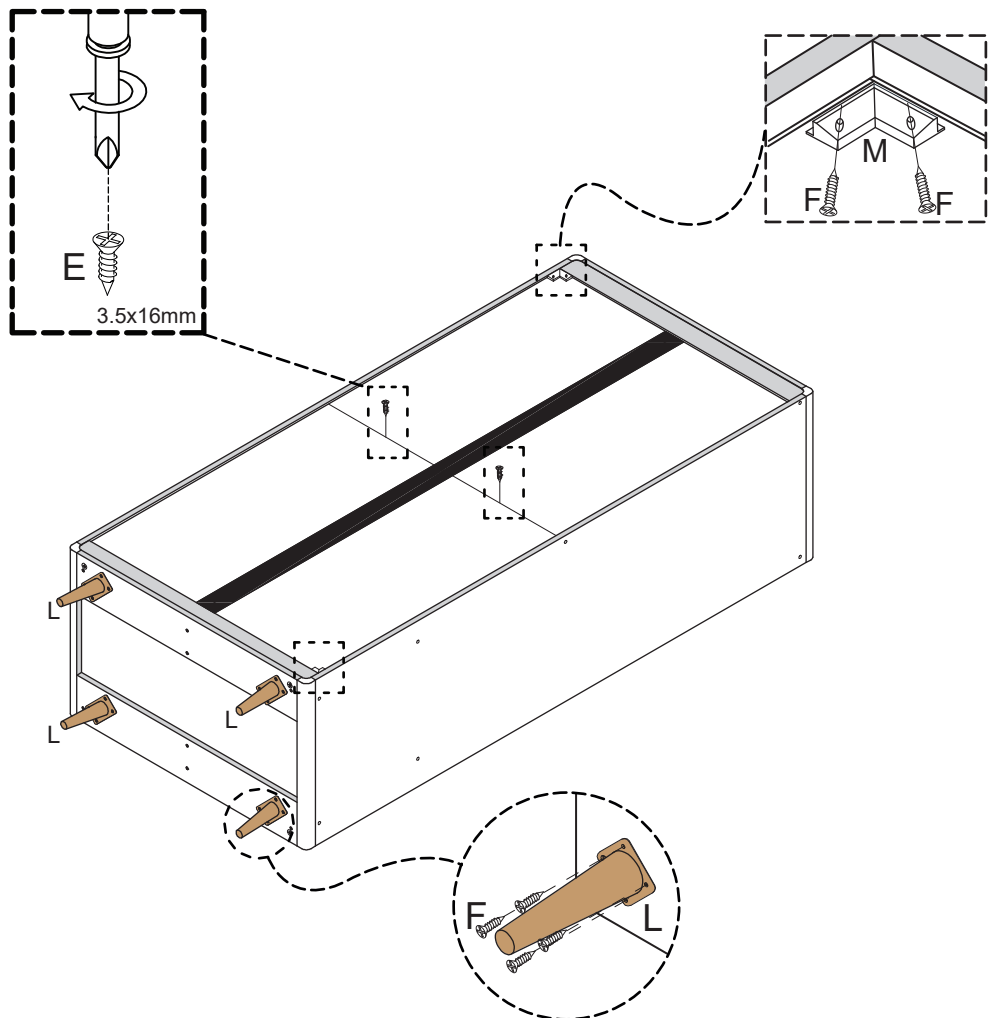
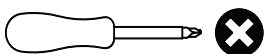
E		02
3.5x16mm		

F		20
4x20mm		

L		04
---	---	----

M		02
---	---	----

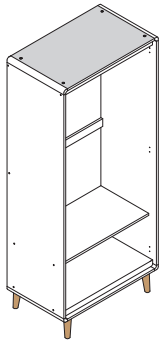
TOOLS REQUIRED



STEP 11

PARTS REQUIRED

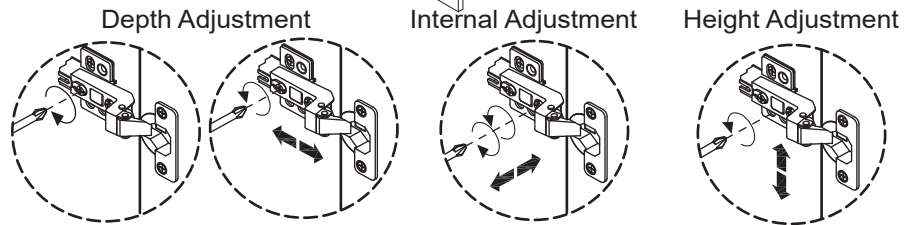
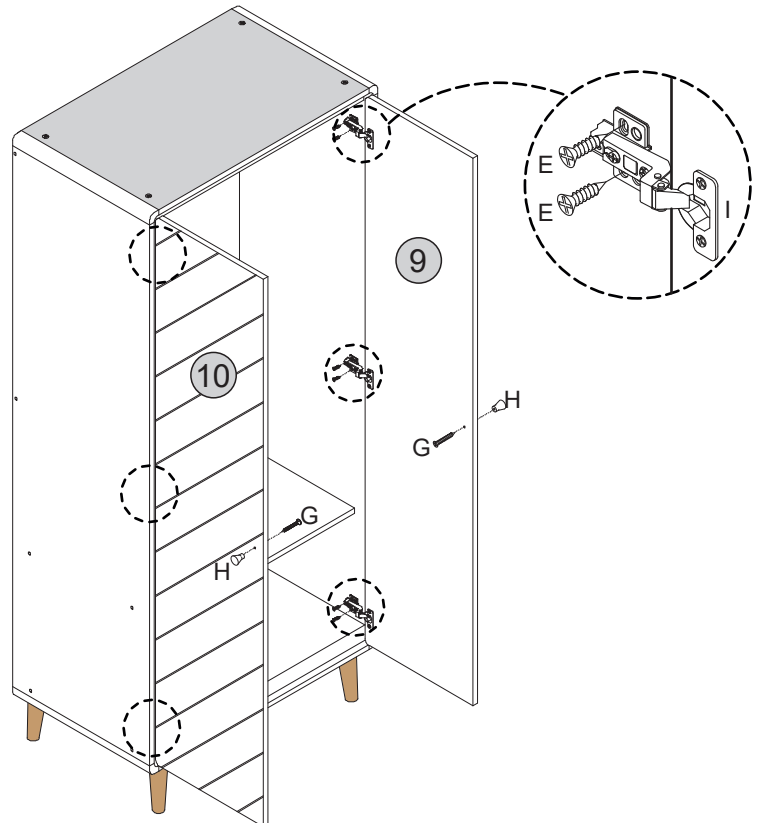
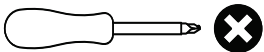
9 - RIGHT DOOR	x1
10 - LEFT DOOR	x1



HARDWARE REQUIRED

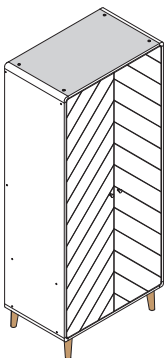
E	3.5x16mm	12
G	4x25mm	02
H		02

TOOLS REQUIRED



STEP 12

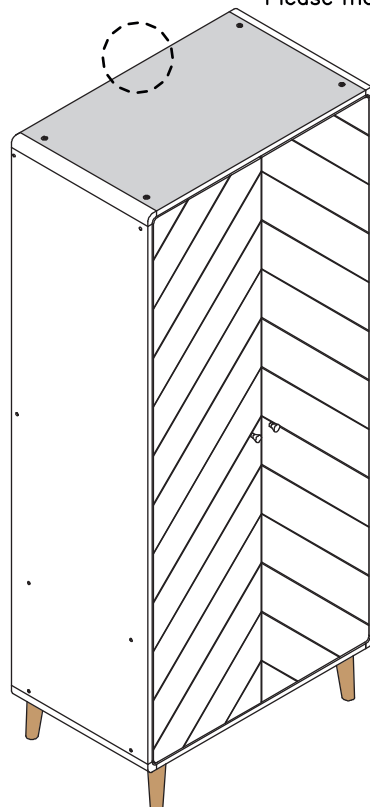
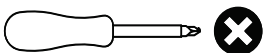
PARTS REQUIRED



HARDWARE REQUIRED

P		01
---	--	----

TOOLS REQUIRED



WARNING

Serious or fatal injuries can occur from furniture tipping over. To prevent the furniture from tipping over we recommend that it is permanently fixed to the wall.

Wall fixings are not supplied with this product as different wall materials require different types of fixing devices. Please make sure you use fixings suitable for the walls in your home.

