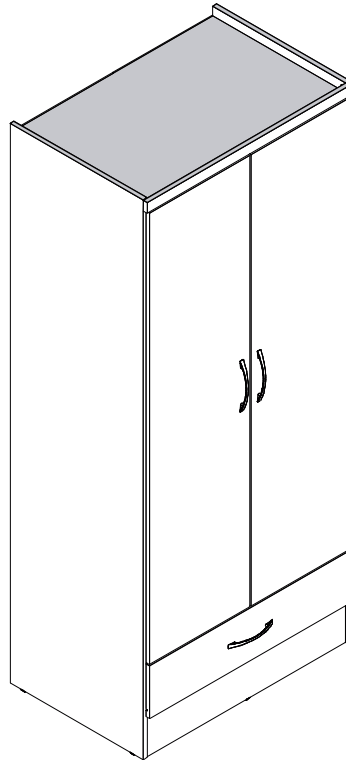




NEVADA 2 DOOR 1 DRAWER WARDROBE ASSEMBLY INSTRUCTIONS

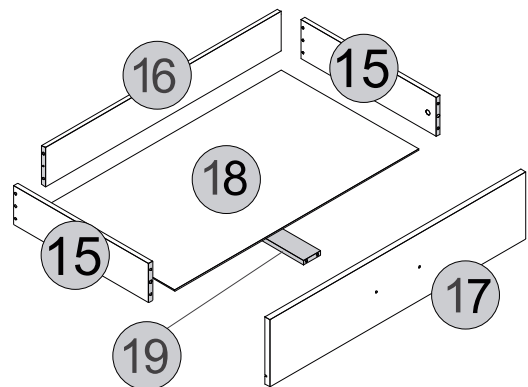
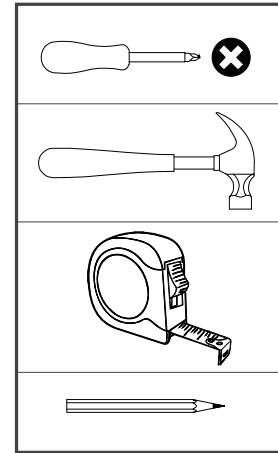
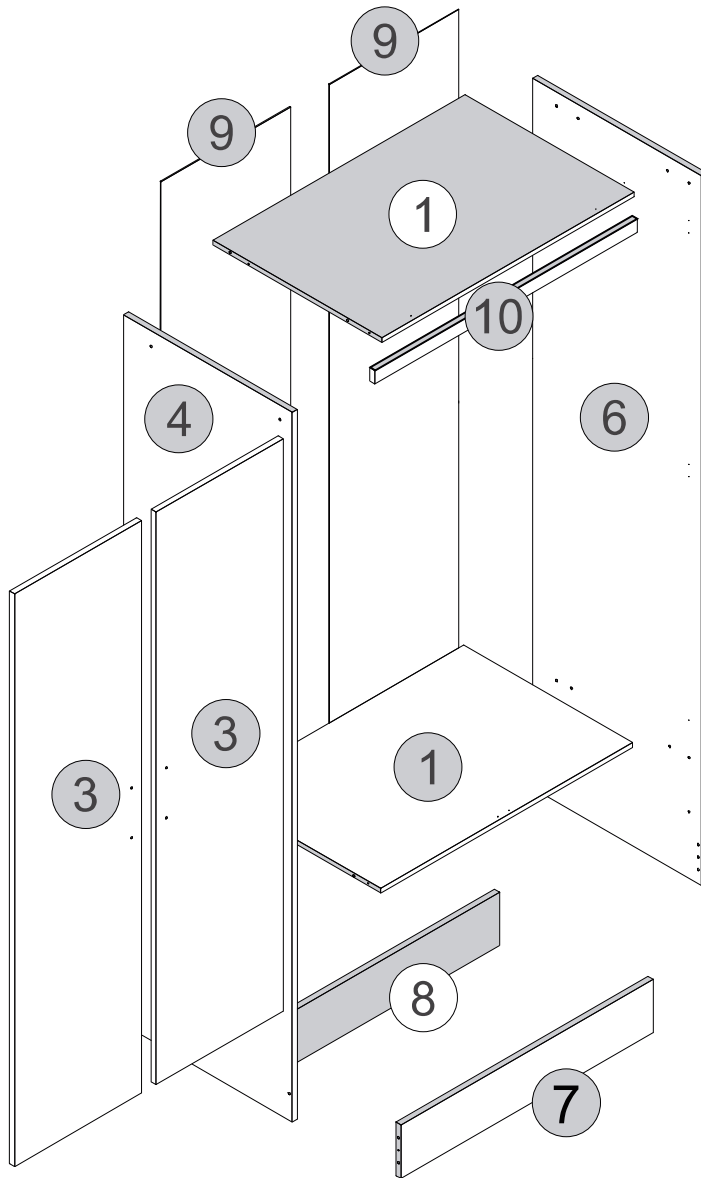


**IMPORTANT
FOR DOMESTIC USE ONLY
PLEASE READ BEFORE YOU CONTINUE FURTHER**

CARE AND MAINTENANCE

After unpacking this product please keep the original packaging in case it needs to be returned for any reason.

- Please ensure all fittings and parts are present before commencing with assembly.
- Never drag or push products as this could cause damage to the joints making it inferior.
- We strongly recommend that you keep children away from your work area.
- We recommend that you lay a blanket or sheet on the floor to avoid damage to both your floor and the product.
- Assemble this product as close to its final position as possible.
- Do not place this product next to a radiator or in direct sunlight.
- Do not drag or push items across your high gloss furniture as this may cause the surface to scratch
- Wood is a natural product and may expand if subjected to damp and may shrink or crack if subjected to heat. Therefore it is recommended that room temperature is maintained, with no sudden temperature fluctuations.
- Make sure any spillage is wiped off immediately.
- Do not place hot or chilled items directly on to the surface, use a place mat or marking will occur.
- For general cleaning use a soft cotton or micro fibre cloth, and do not use detergents of any kind.
- From time to time it may be necessary to tighten fittings, regular inspections should be carried out.
- Do not place on a wet or damp floor as staining may occur to your floor.




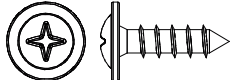
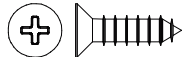
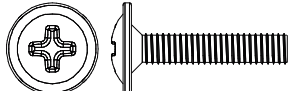
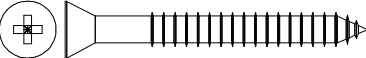
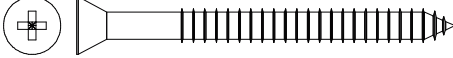



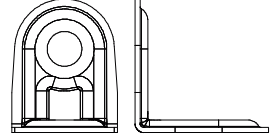

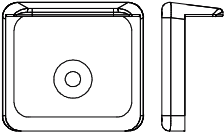
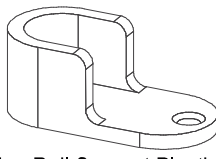
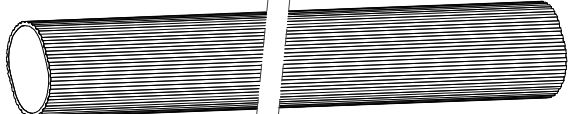
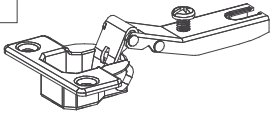
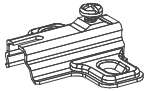
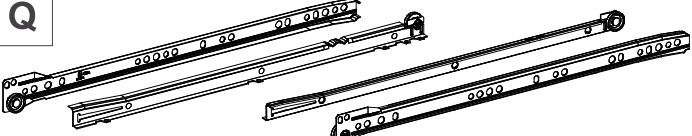
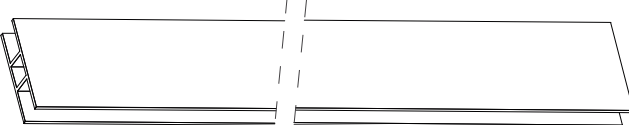




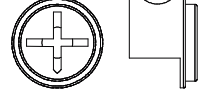
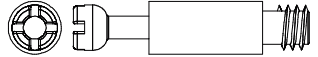

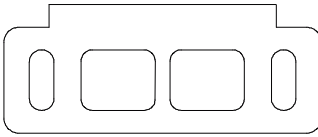

PARTS LIST

Please Note:
The below parts have all been stamped with the part number to help identify them during assembly.

Part Number	Part Description	Quantity	Carton
01	Base-Top Panel	2	1/2
03	Door	2	2/2
04	Left Side Panel	1	1/2
06	Right Side Panel	1	1/2
07	Front Baseboard	1	2/2
08	Back Baseboard	1	2/2
09	Back Panel	2	1/2
10	Frame	1	2/2
15	Drawer Side	2	1/2
16	Drawer Back Panel	1	2/2
17	Drawer Front	1	2/2
18	Drawer Bottom	1	1/2
19	Drawer Bottom Support Bar	1	2/2

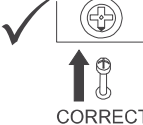
FITTINGS LIST

SEC/SH/09/21/HV1

<p>A</p>  <p>Flat Head Screw Ø6,0 x 10mm (4x)</p> <p>1/+</p>	<p>B</p>  <p>Flan Head Screw Ø4,0 x 14mm (6x)</p> <p>1/+</p>	<p>C</p>  <p>Flat Head Screw Ø4,0 x 14mm (34x)</p> <p>2/+</p>	<p>D</p>  <p>Flan Head Screw Ø4,0 x 20mm (6x)</p> <p>1/+</p>
<p>E</p>  <p>Flat Head Screw Ø3,5 x 40mm (2x)</p> <p>1/+</p>	<p>F</p>  <p>Flat Head Screw Ø4,0 x 50mm (14x)</p> <p>2/+</p>	<p>G</p>  <p>2/+ Dowel Ø6,0 x 30mm (26x)</p>	
<p>H</p>  <p>2/+ Nail 10x10 Ringed-1,5x23mm (58x)</p>	<p>I</p>  <p>Flan Head Screw Ø3,5 x 30mm (2x)</p> <p>1/+</p>	<p>J</p>  <p>1/+ 'L' Metallic Support 18x18MM (4x)</p>	<p>K</p>  <p>Washer Ø16x7(4x)</p> <p>1/+</p>
<p>L</p>  <p>1/+ Plastic Foot L 19x17x8mm Ø2 (6x)</p>	<p>M</p>  <p>Hanging Rail Support Plastic (2x)</p>	<p>N</p>  <p>Hanging Rail 737x30X16X0,60MM (1x)</p>	
<p>O</p>  <p>Hinge 26MM High Lap (6x)</p>	<p>P</p>  <p>Hinge Plate 26MM D5 (6x)</p>	<p>Q</p>  <p>Drawer Runners 400MM (1x)</p>	
<p>R</p>  <p>Back Panel Strip H 1633x19x3,8MM (1x)</p>	<p>S</p>  <p>Strap 200x20x1MM (2x)</p>		<p>T</p>  <p>Handle (3x)</p>
<p>U</p>  <p>2/+ Hole Plugs 19MM (14x)</p>	<p>V</p>  <p>Glue 10Gr (1x)</p>	<p>W</p>  <p>1/+ Cam Nut Ø12x8,8MM (2x)</p>	<p>X</p>  <p>1/+ Cam Bolt (2x)</p>
<p>Y</p>  <p>Flat Head Screw Ø4,0 x 12mm (12x)</p> <p>2/+</p>	<p>Z</p>  <p>Door Support L42xP27xA28MM (2x)</p>	<p>A1</p>  <p>+/-2 Hole Plugs Líneo 19mm (2x)</p>	


TIPS FOR FITTINGS CAM-LOCKS

WHEN FITTING CAM NUT. ENSURE STARTING POSITION IS CORRECT BEFORE YOU INSERT CONNECTING CAM BOLT TURN CLOCKWISE UNTIL SECURE



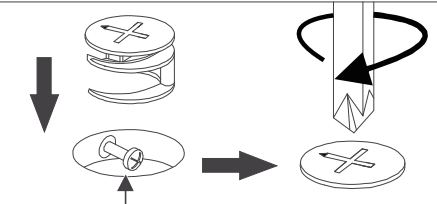
✓

CORRECT



✗

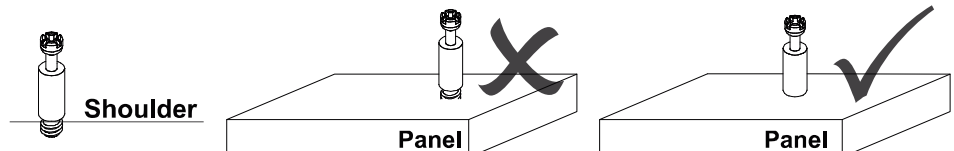
WRONG



Cam bolt head needs to be in centre

CAMBOLT

Tighten until shoulder is flush with panel. Do not overtighten or undertighten (see example beside)





STEP 1


PARTS REQUIRED


4 - LEFT SIDE PANEL x1

HARDWARE REQUIRED

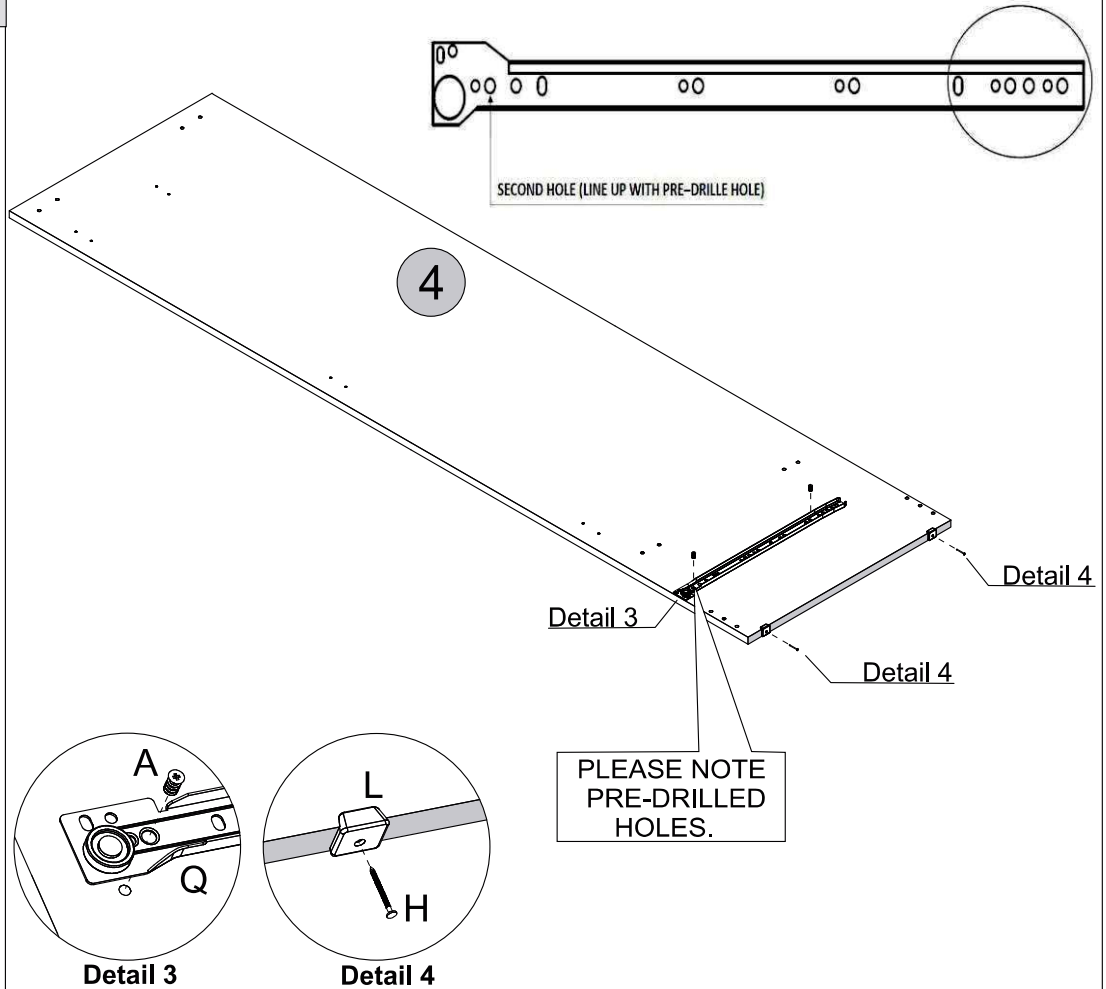
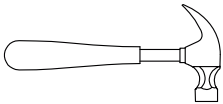
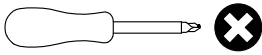
A  02
Ø6,0 x 10mm

H  02
10 x 10

L  02

Q  01
LEFT

TOOLS REQUIRED




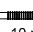
STEP 2

PARTS REQUIRED


6 - RIGHT SIDE PANEL x1

HARDWARE REQUIRED

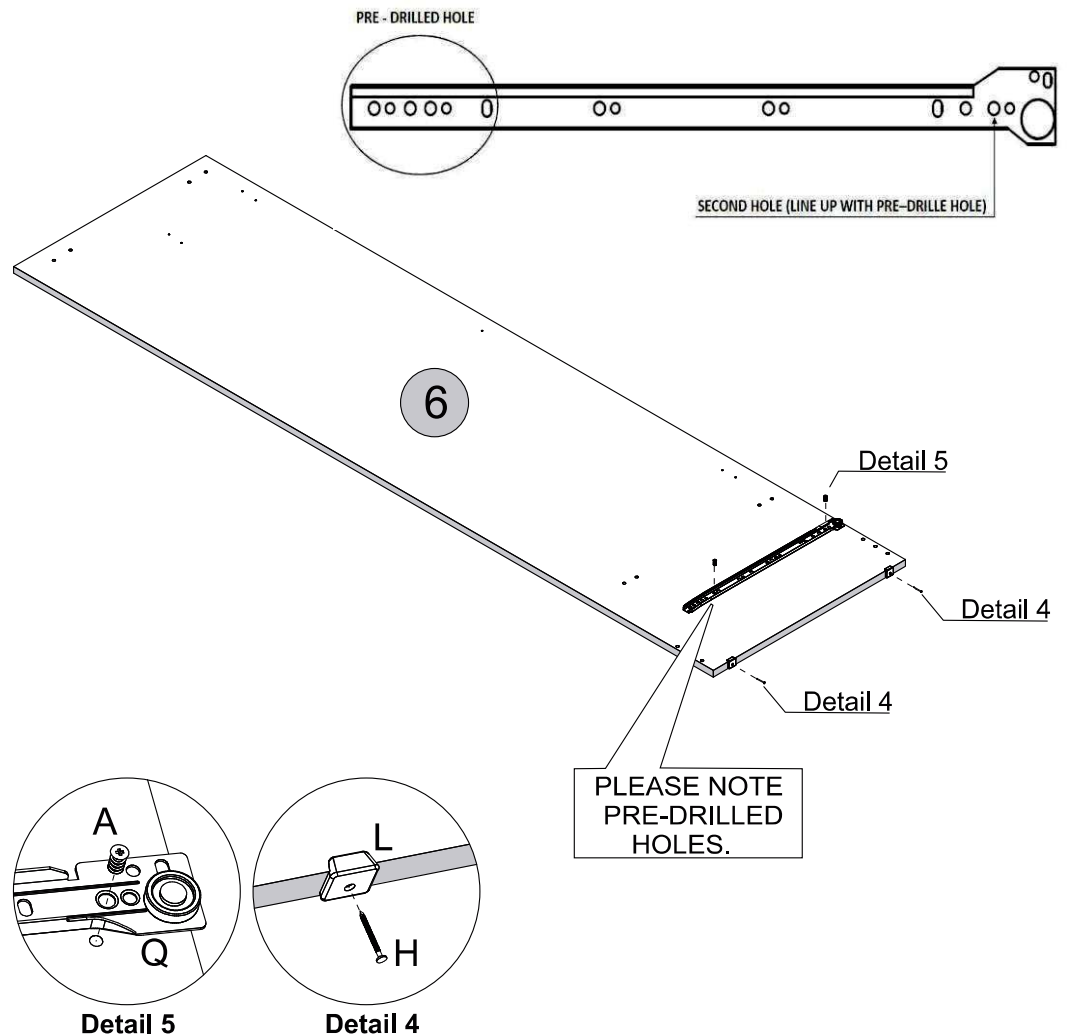
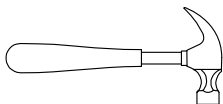
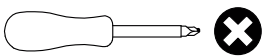
A  02
Ø6,0 x 10mm

H  02
10 x 10

L  02

Q  01
RIGHT

TOOLS REQUIRED

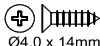


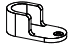
STEP 3

PARTS REQUIRED

4 - LEFT SIDE PANEL x1

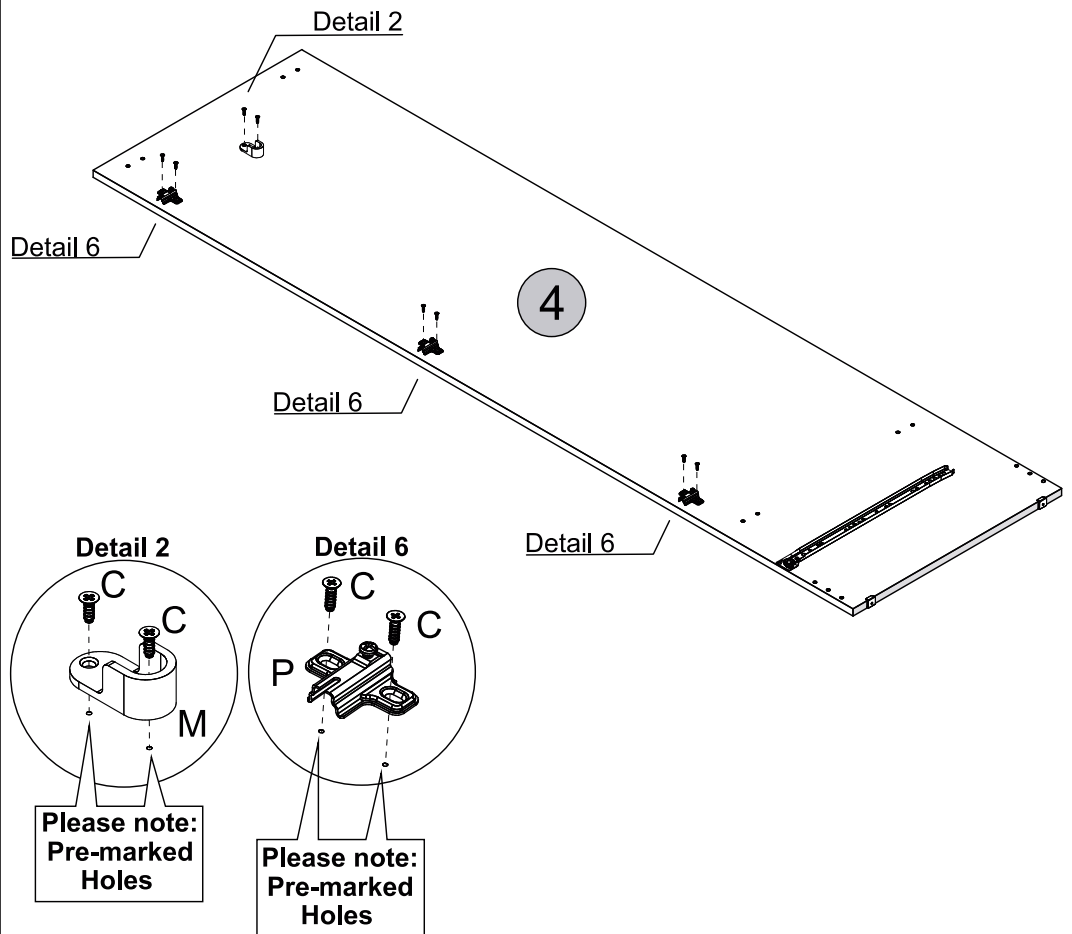
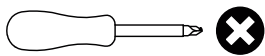
HARDWARE REQUIRED

C  08
Ø4,0 x 14mm

M  01

P  03

TOOLS REQUIRED

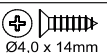


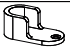
STEP 4

PARTS REQUIRED

6 - RIGHT SIDE PANEL x1

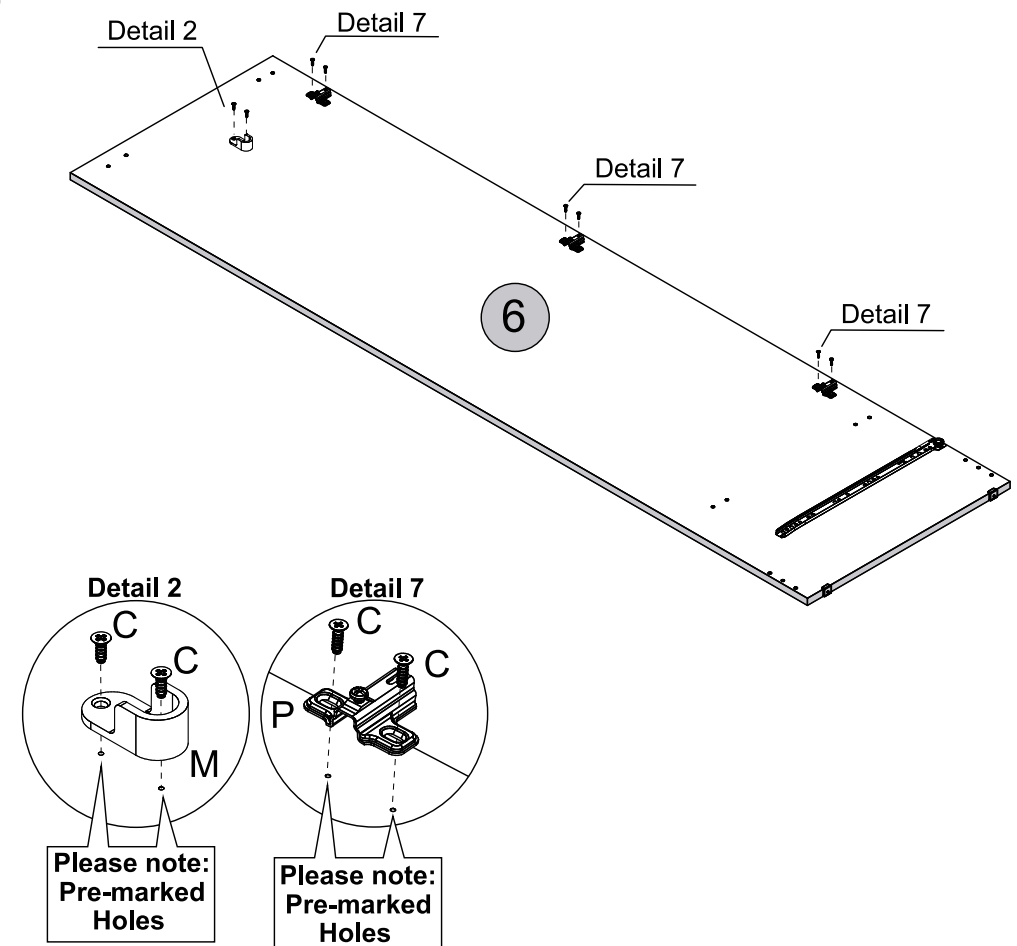
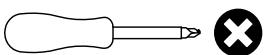
HARDWARE REQUIRED

C  08
Ø4,0 x 14mm

M  01

P  03

TOOLS REQUIRED




STEP 5


PARTS REQUIRED

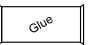
1A - BASE PANEL x1

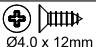
1B - TOP PANEL x1

HARDWARE REQUIRED

G  08
Ø6,0 x 30mm

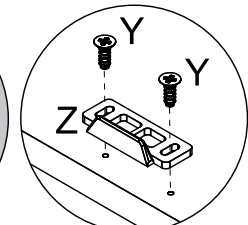
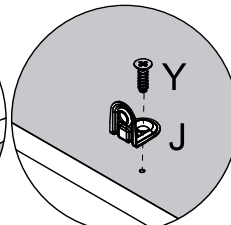
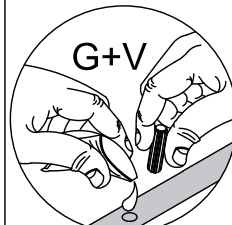
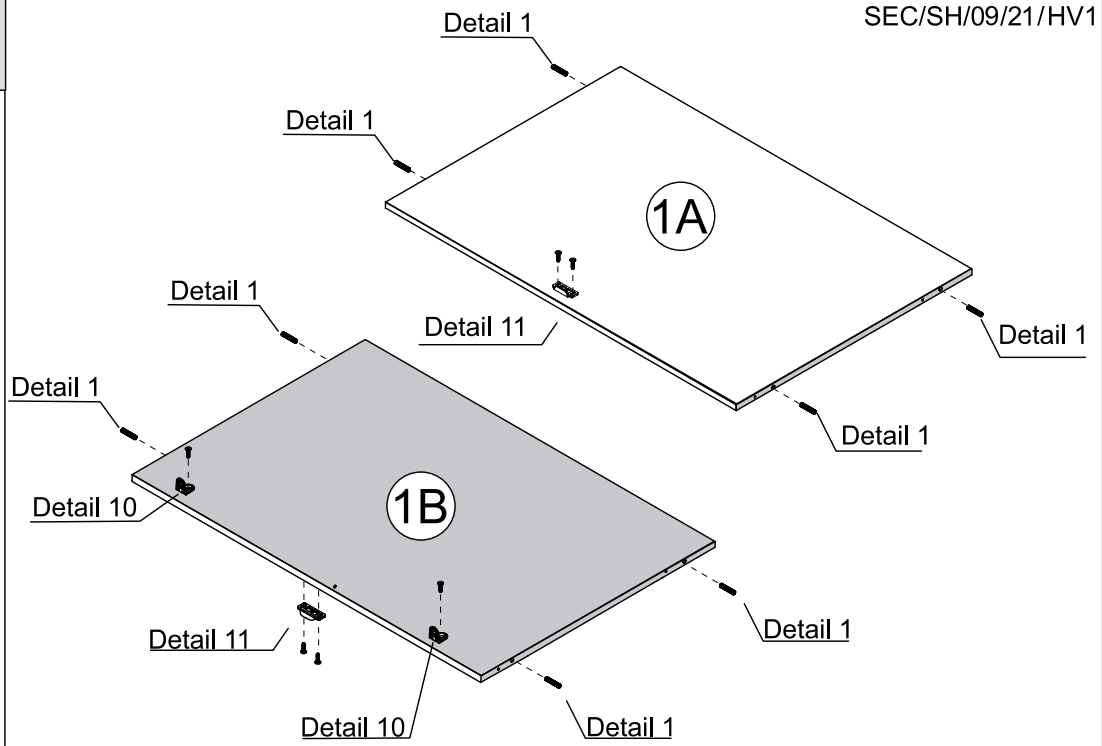
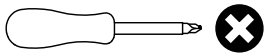
J  02

V  01

Y  06
Ø4,0 x 12mm

Z  02

TOOLS REQUIRED



Detail 1

Detail 10

Detail 11


STEP 6

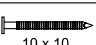
PARTS REQUIRED

7 - FRONT BASEBOARD x1


8 - BACK BASEBOARD x1

HARDWARE REQUIRED

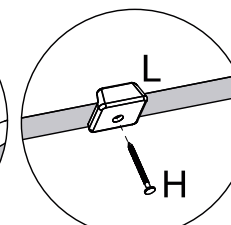
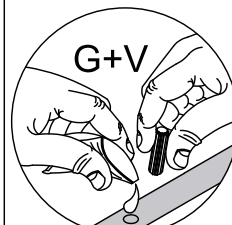
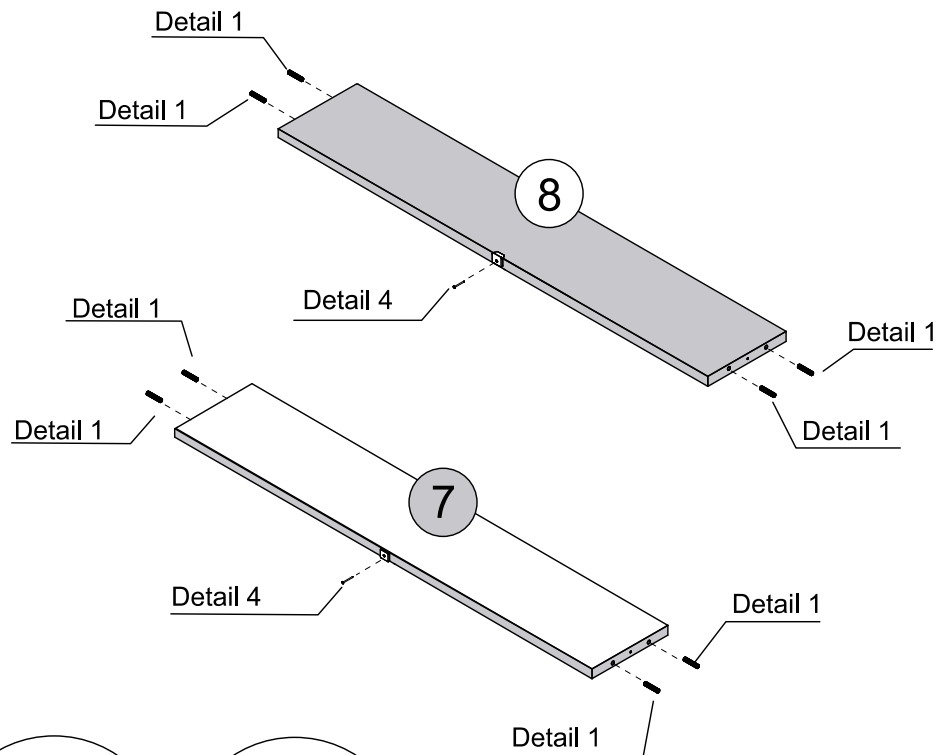
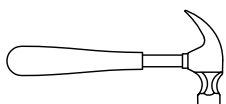
G  08
Ø6,0 x 30mm

H  02
10 x 10

L  02

V  01

TOOLS REQUIRED



Detail 1

Detail 4

STEP 7

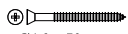
PARTS REQUIRED

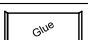
1A - BASE PANEL x1

1B - TOP PANEL x1

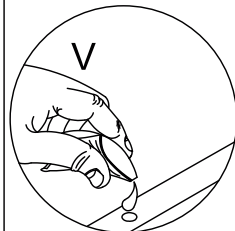
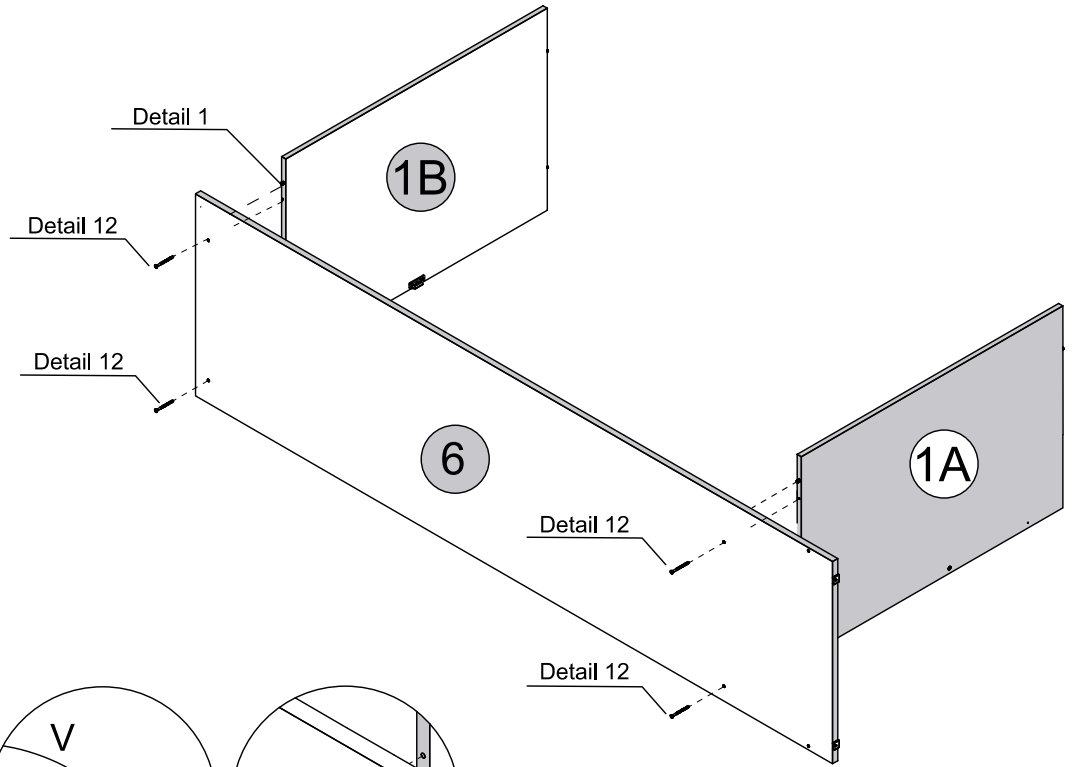
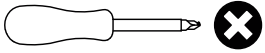
6 - RIGHT SIDE PANEL x1

HARDWARE REQUIRED

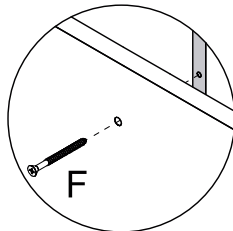
F  04
Ø4,0 x 50mm

V  01

TOOLS REQUIRED



Detail 1



Detail 12

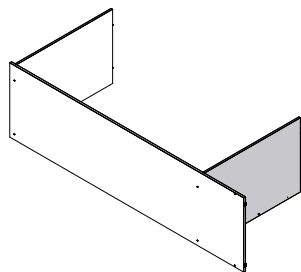
STEP 8

PARTS REQUIRED


4 - LEFT SIDE PANEL x1

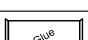
7 - FRONT BASEBOARD x1

8 - BACK BASEBOARD x1

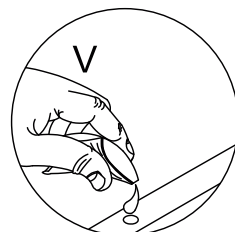
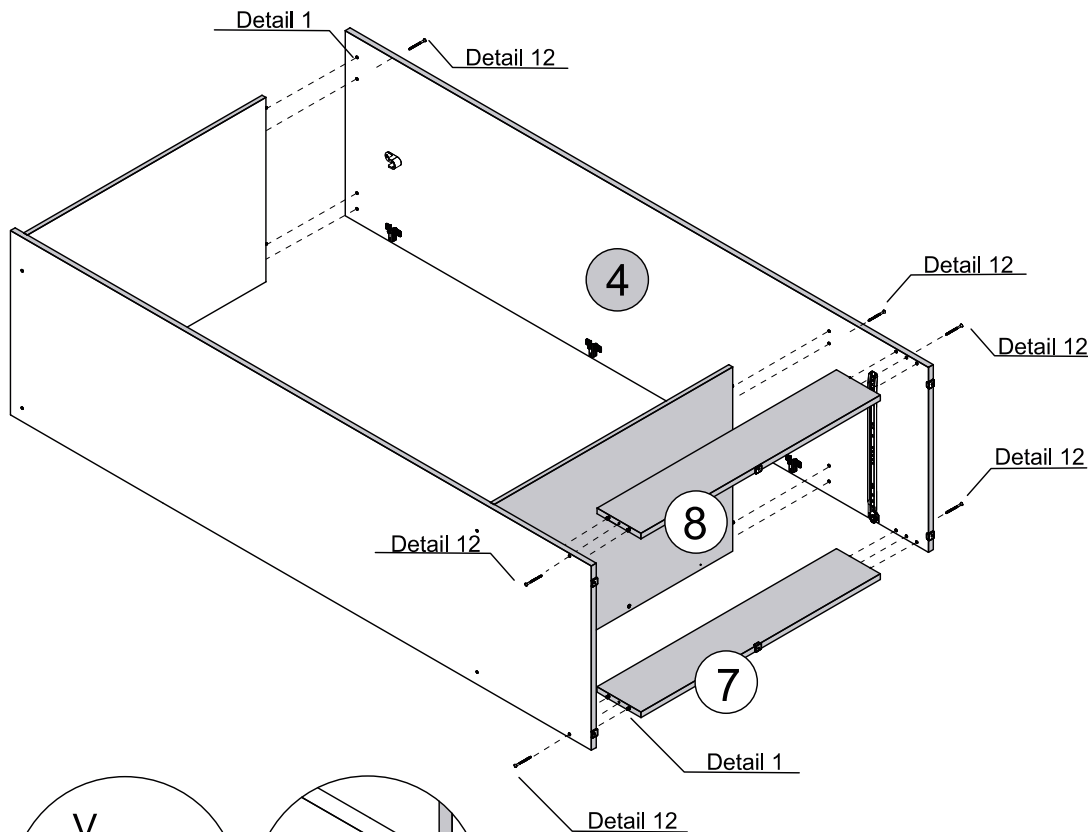
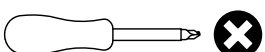


HARDWARE REQUIRED

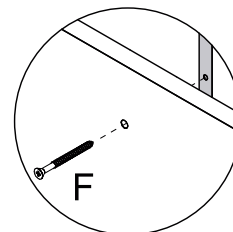
F  08
Ø4,0 x 50mm

V  01

TOOLS REQUIRED



Detail 1

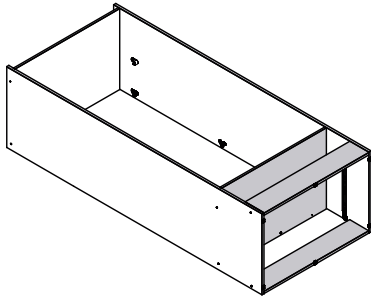


Detail 12

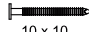
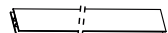
STEP 9

PARTS REQUIRED

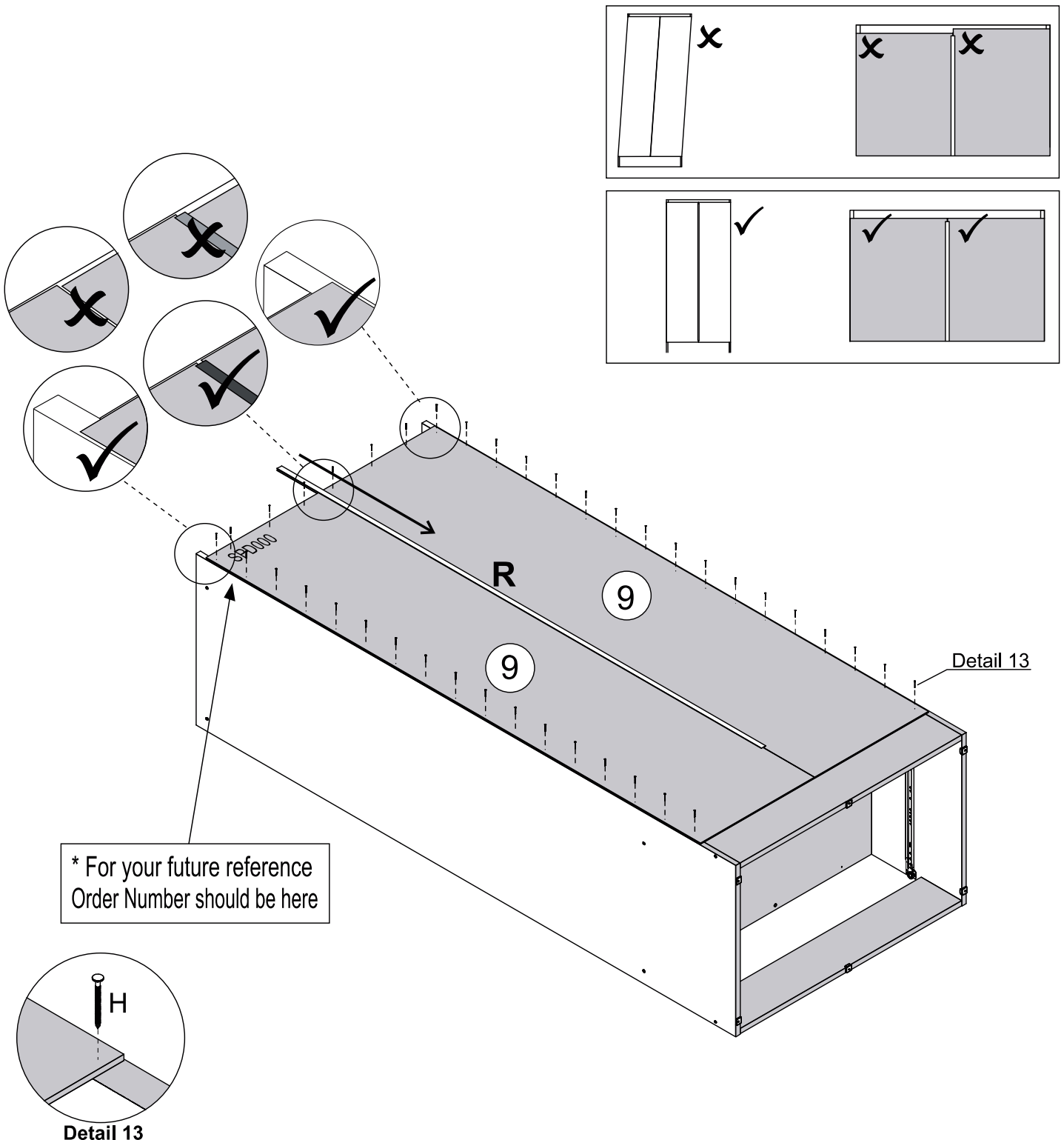
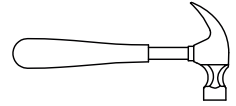
9 - BACK PANEL x2



HARDWARE REQUIRED

H	 10 x 10	40
R		01

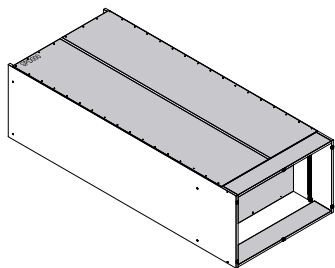
TOOLS REQUIRED



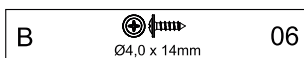
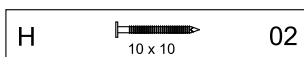
STEP 10

SEC/SH/09/21/HV1

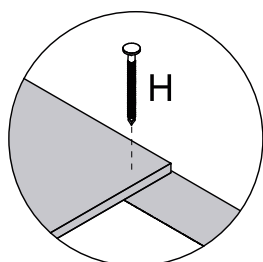
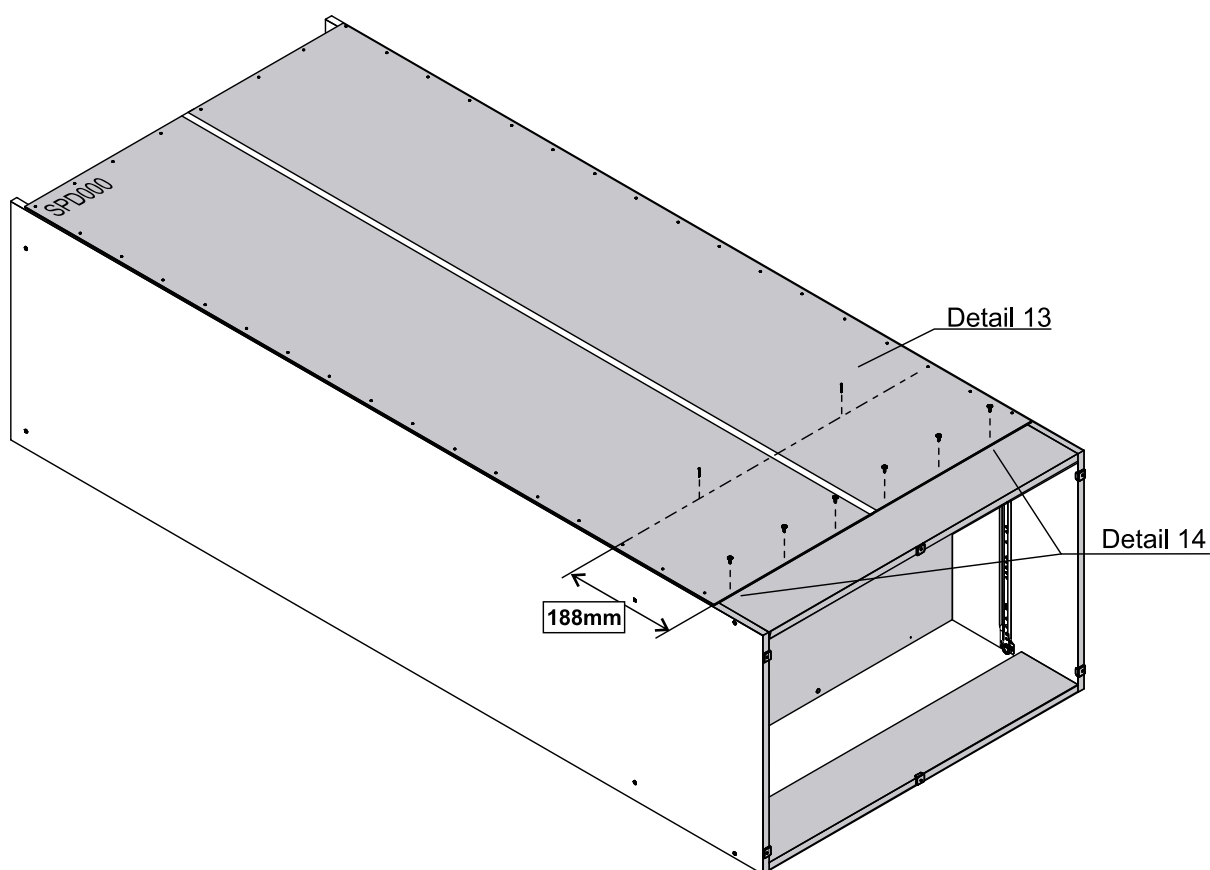
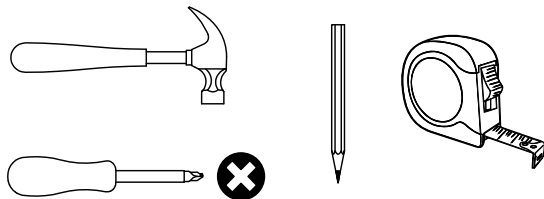
PARTS REQUIRED



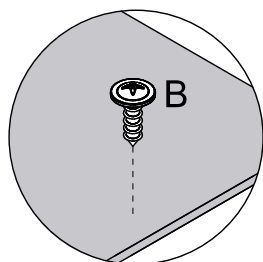
HARDWARE REQUIRED



TOOLS REQUIRED



Detail 13

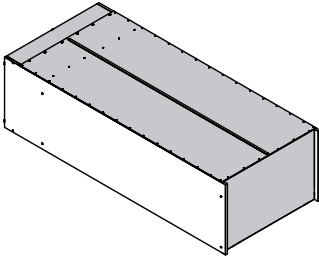


Detail 14


STEP 11

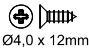
PARTS REQUIRED

10 - FRAME x1

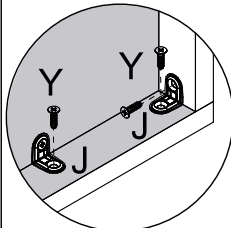
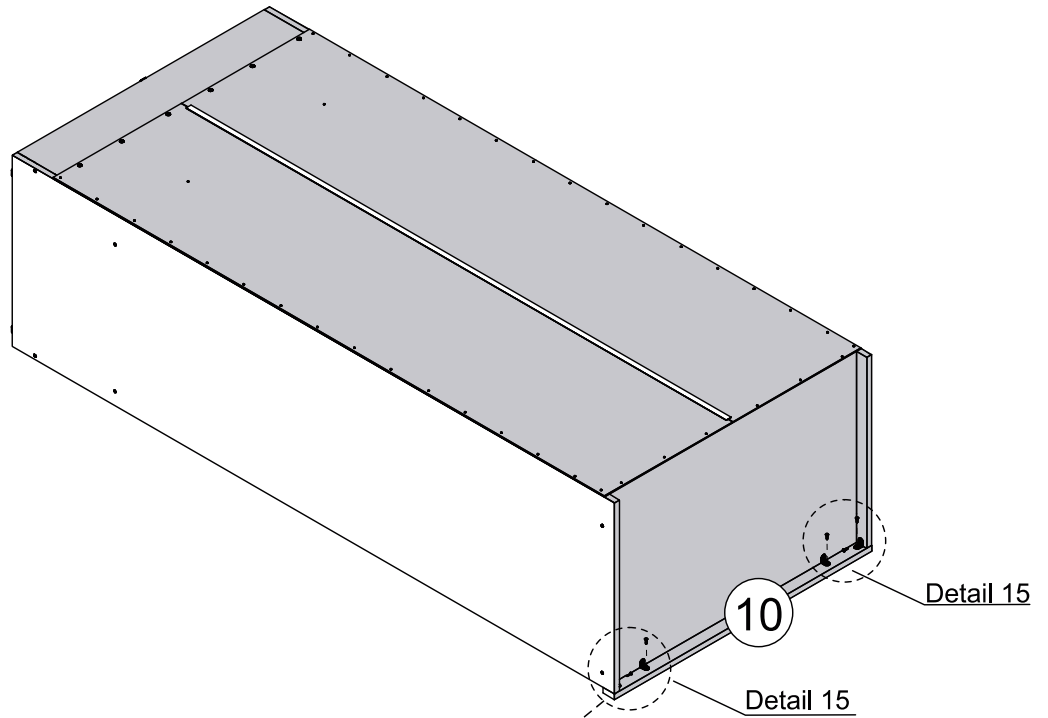
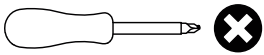


HARDWARE REQUIRED

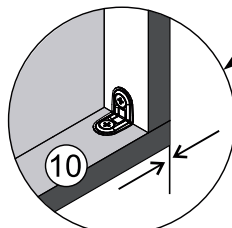
J  02

Y  06
Ø4,0 x 12mm

TOOLS REQUIRED



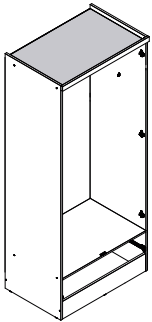
Detail 15



Align corners

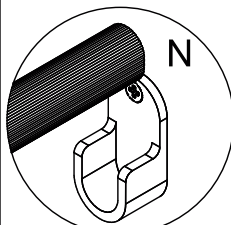
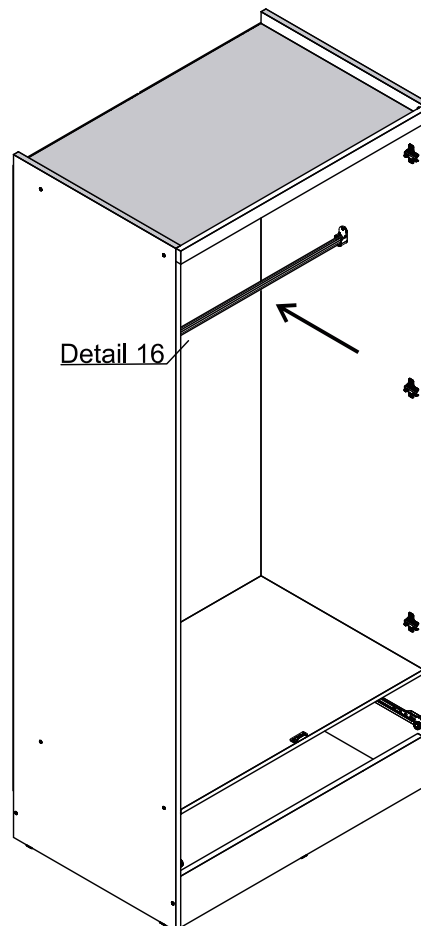
STEP 12

PARTS REQUIRED



HARDWARE REQUIRED

N  01



Detail 16

STEP 13


PARTS REQUIRED

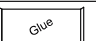
15 - DRAWER SIDE x2

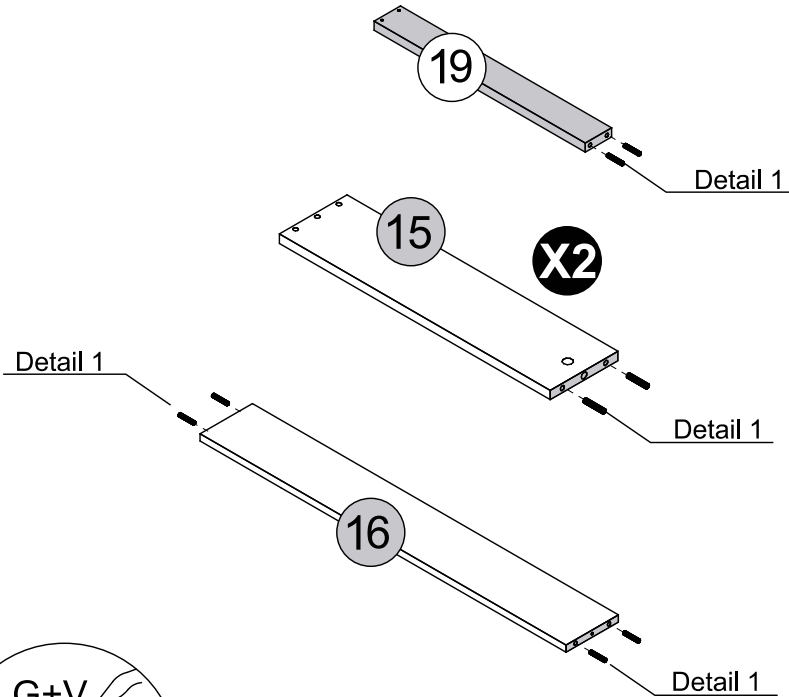
16 - DRAWER BACK PANEL x1

19 - DRAWER BOTTOM SUPPORT BAR x1

HARDWARE REQUIRED

G  10
Ø6,0 x 30mm

V  01
Glue




Detail 1

STEP 14

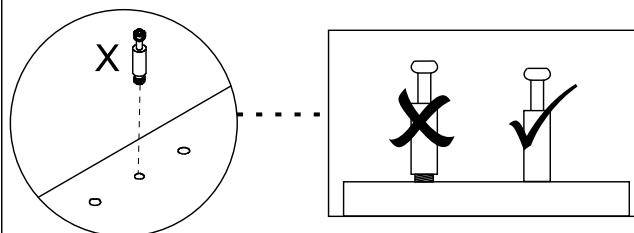
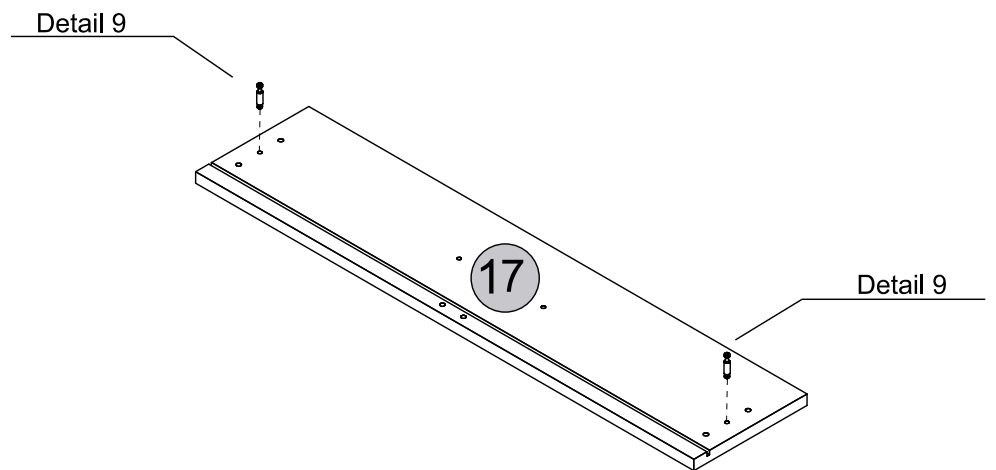
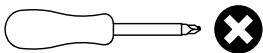
PARTS REQUIRED

17 - DRAWER FRONT x1

HARDWARE REQUIRED

X  02

TOOLS REQUIRED



Detail 9

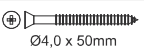
STEP 15

PARTS REQUIRED

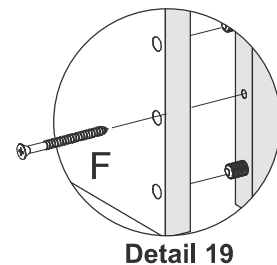
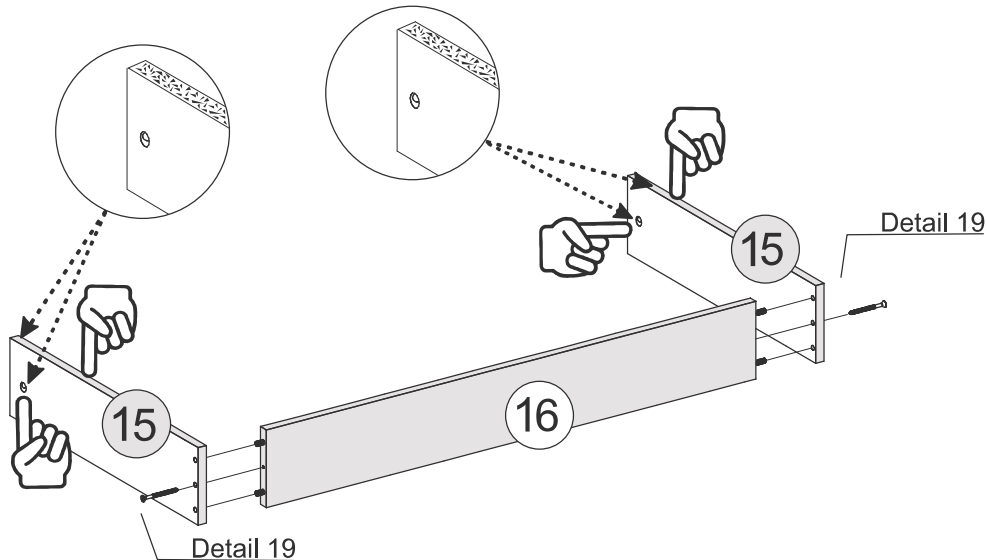
15 - DRAWER SIDE x2

16 - DRAWER BACK PANEL x1

HARDWARE REQUIRED

F  02
Ø4,0 x 50mm

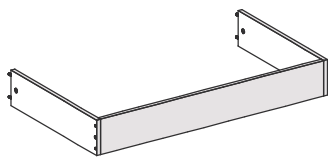
TOOLS REQUIRED



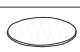
STEP 16

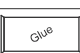
PARTS REQUIRED

17 - DRAWER FRONT x1



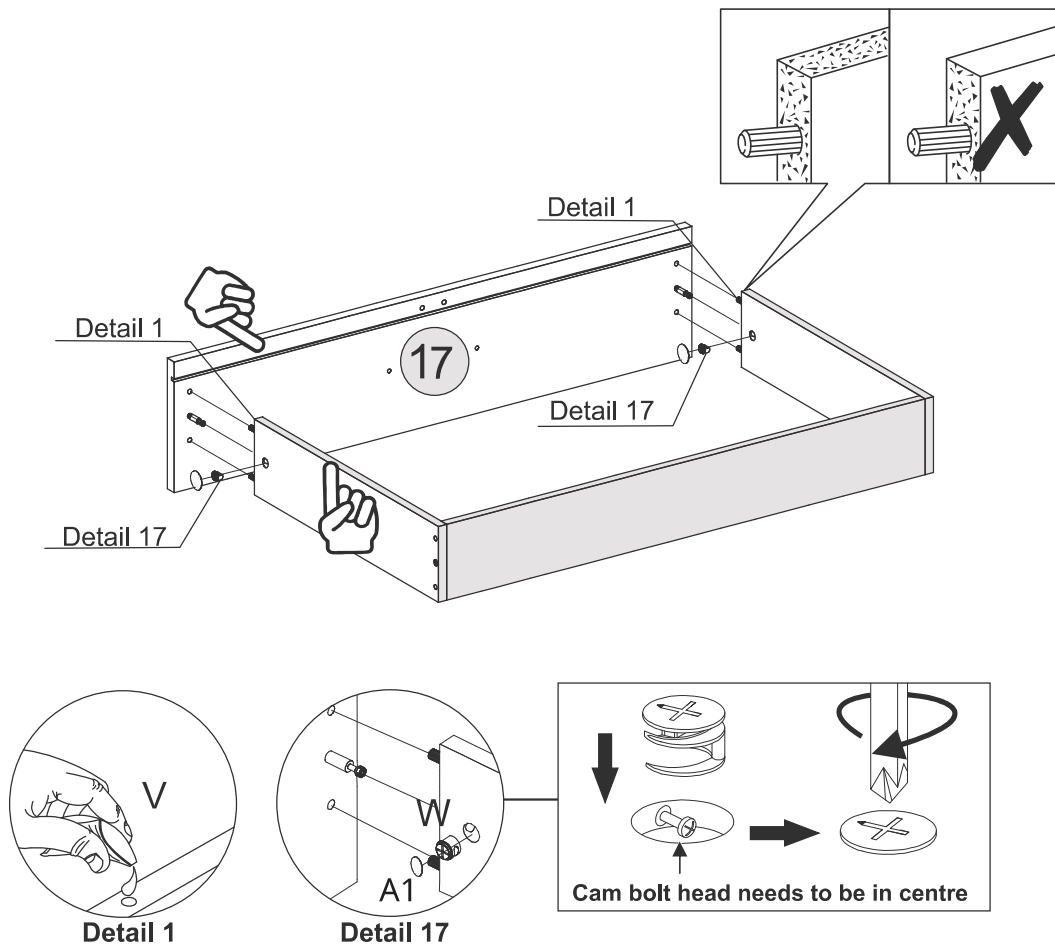
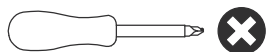
HARDWARE REQUIRED

A1  02

V  01

W  02

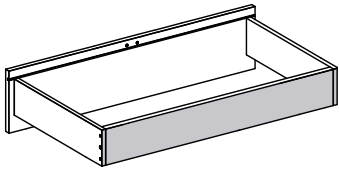
TOOLS REQUIRED



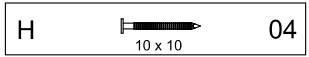
STEP 17

PARTS REQUIRED

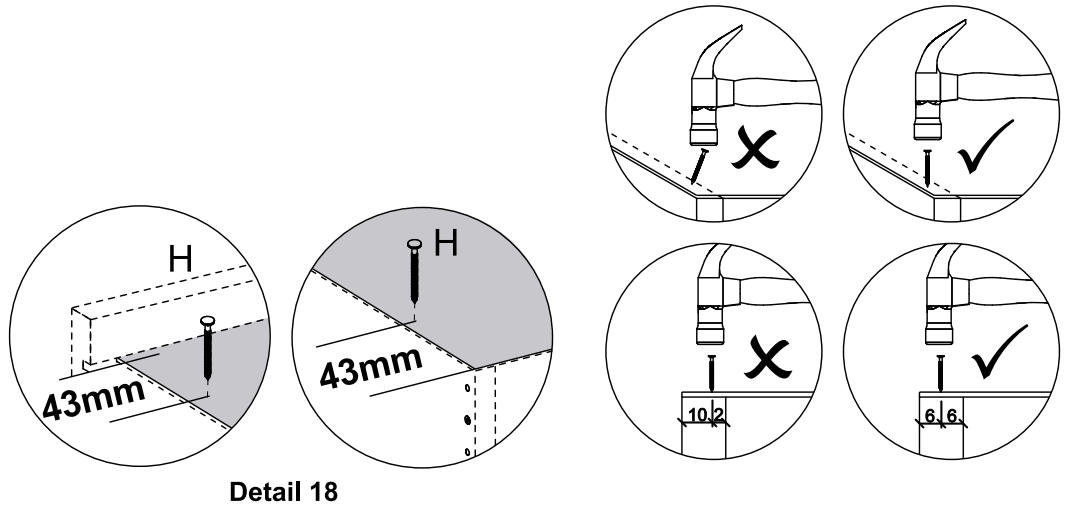
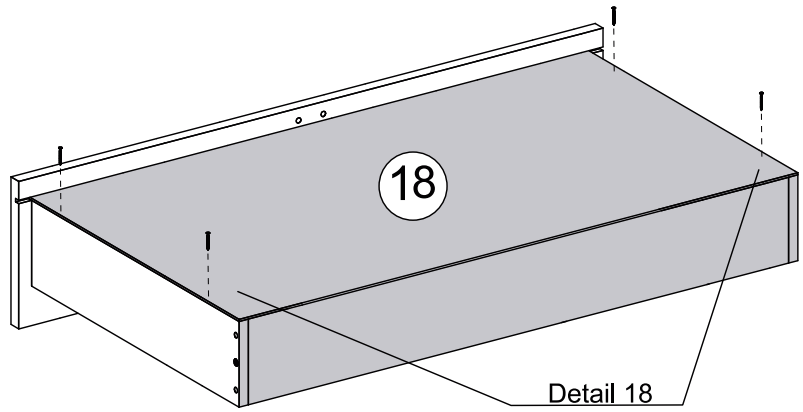
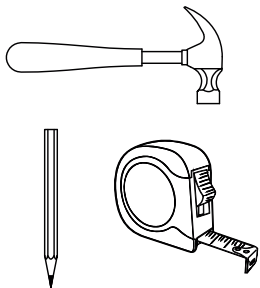
18 - DRAWER BOTTOM x1



HARDWARE REQUIRED



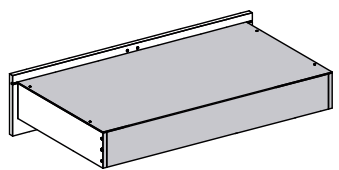
TOOLS REQUIRED



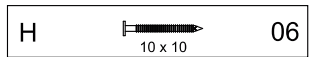
STEP 18

PARTS REQUIRED

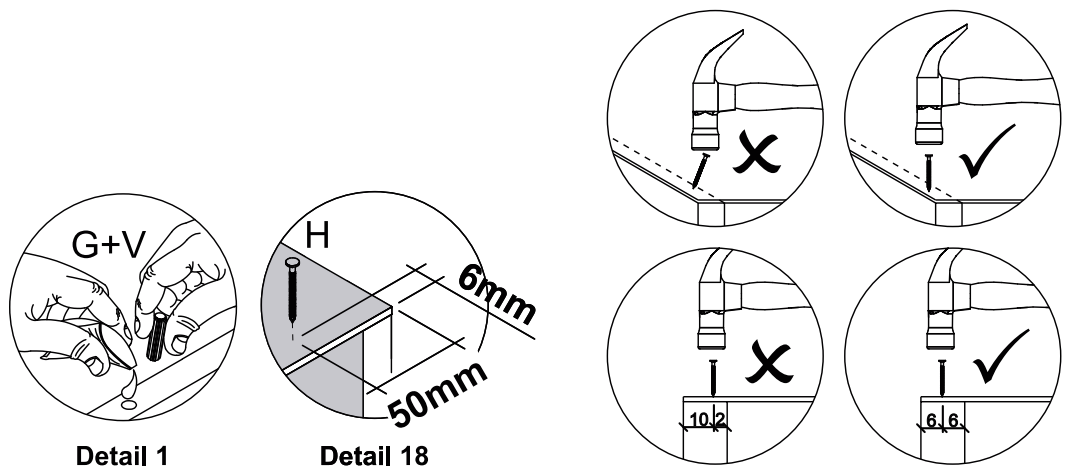
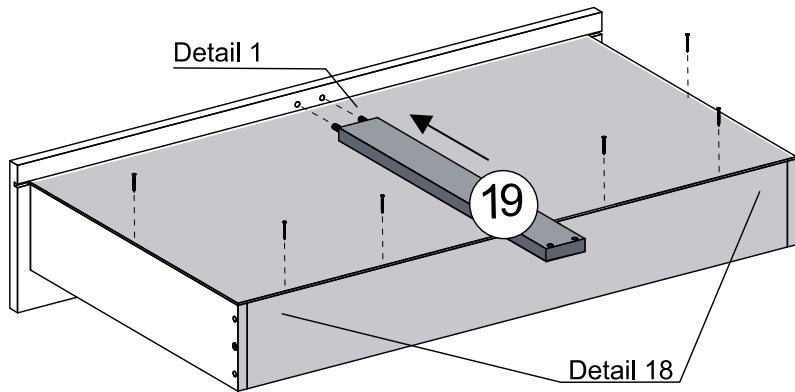
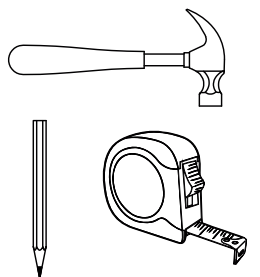
19 - DRAWER BOTTOM SUPPORT BAR x1



HARDWARE REQUIRED

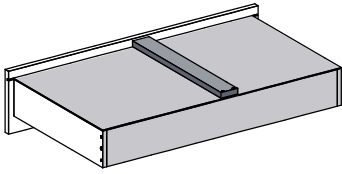


TOOLS REQUIRED

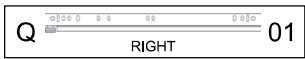
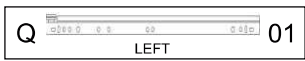
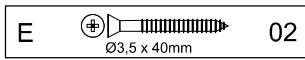
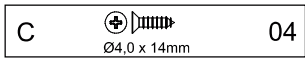


STEP 19

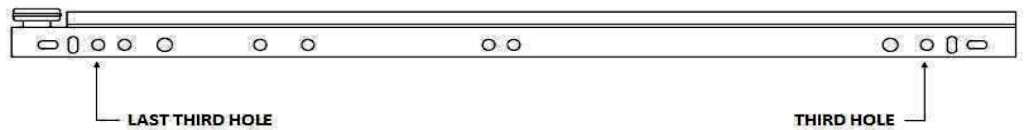
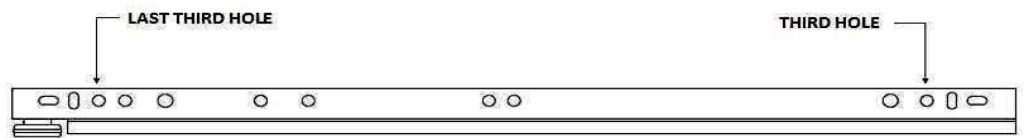
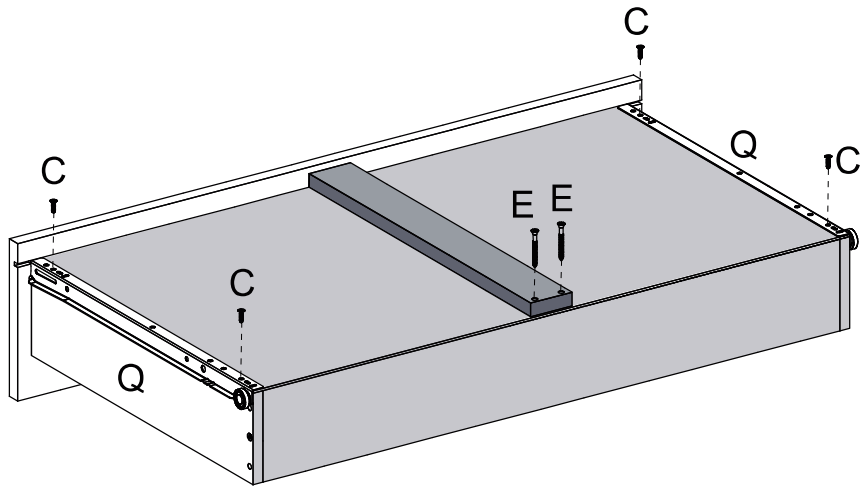
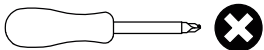
PARTS REQUIRED



HARDWARE REQUIRED

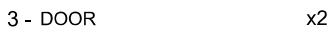


TOOLS REQUIRED

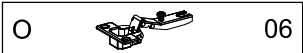
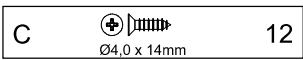


STEP 20

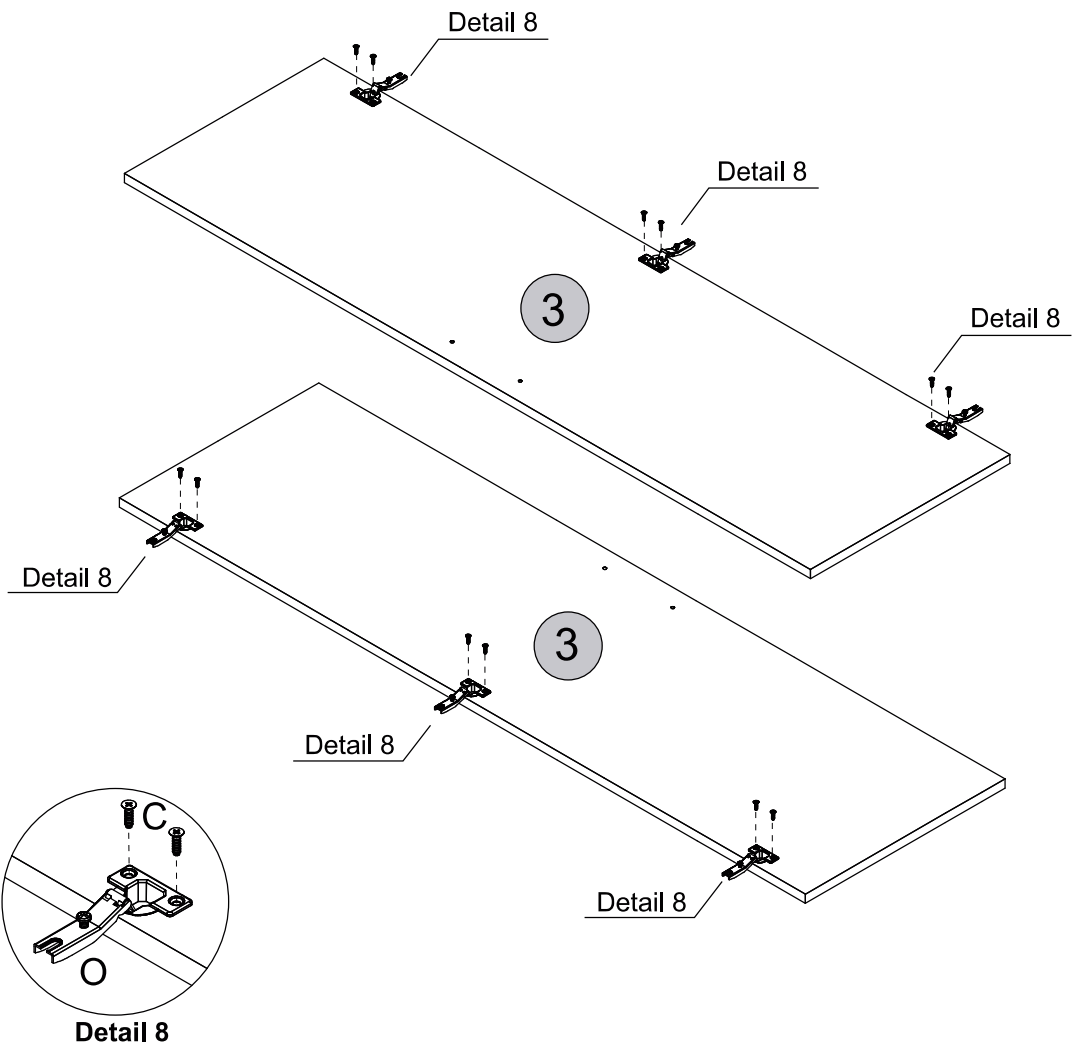
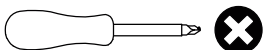
PARTS REQUIRED



HARDWARE REQUIRED



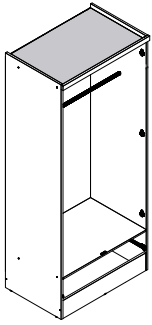
TOOLS REQUIRED



STEP 21

PARTS REQUIRED

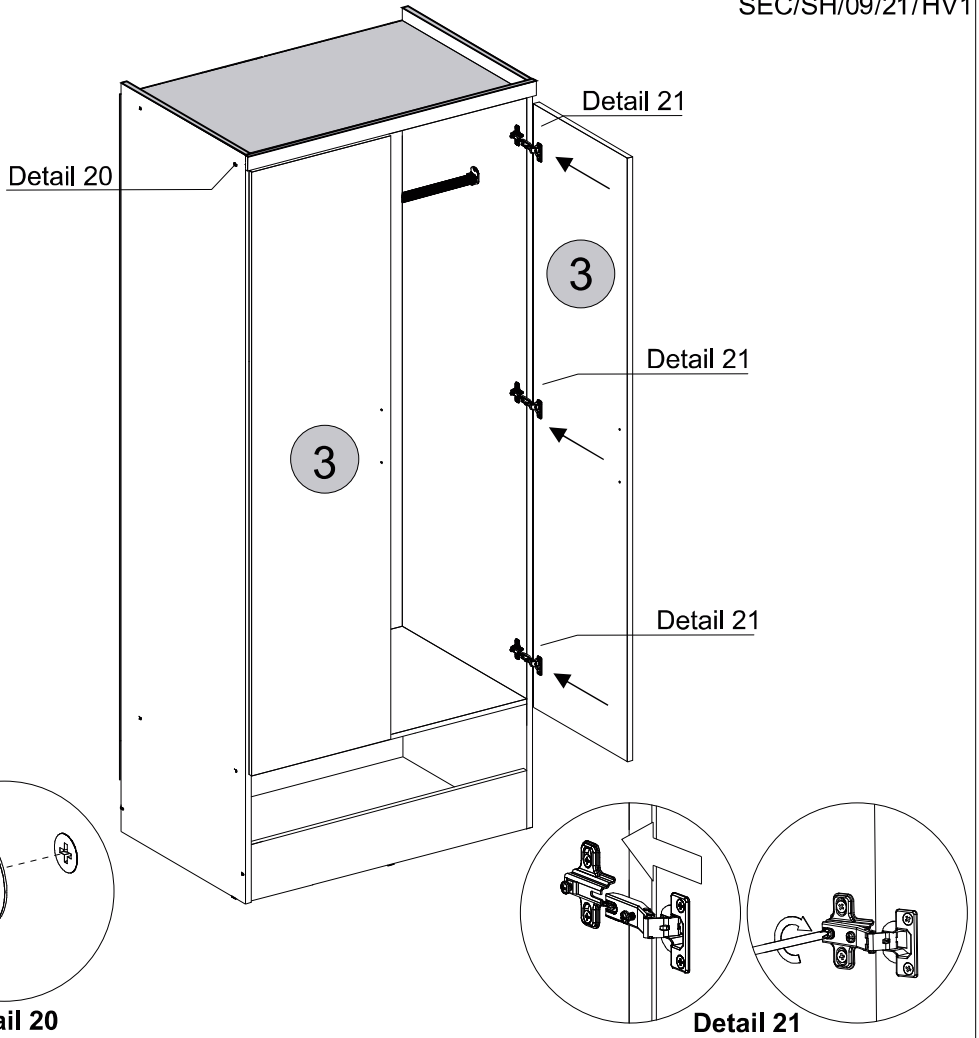
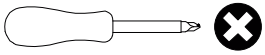
3 - DOOR x2



HARDWARE REQUIRED

U 12

TOOLS REQUIRED

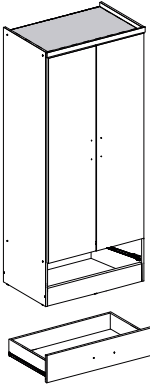


Detail 20

Detail 21

STEP 22

PARTS REQUIRED

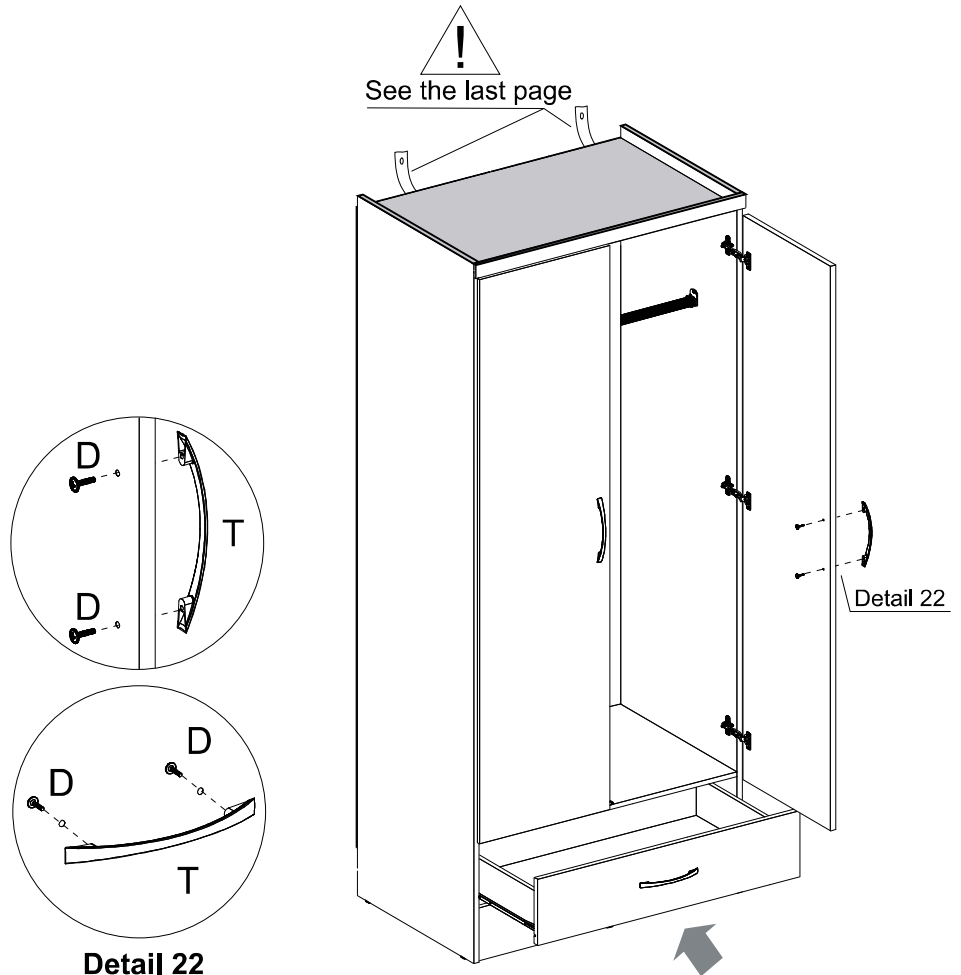
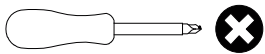


HARDWARE REQUIRED

D Ø4,0 x 22mm 06

T 03

TOOLS REQUIRED

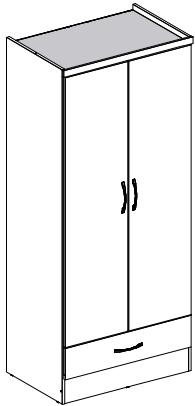


Detail 22

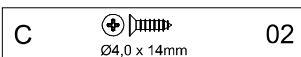
Detail 21

STEP 23

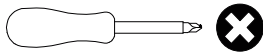
PARTS REQUIRED



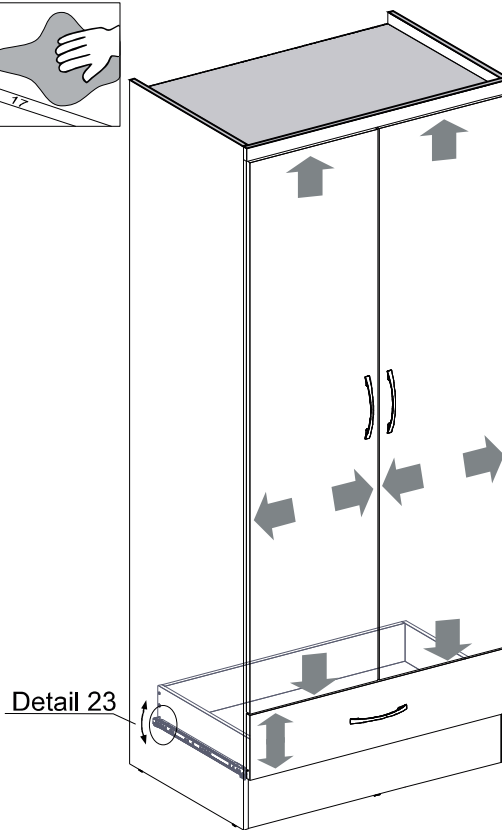
HARDWARE REQUIRED



TOOLS REQUIRED

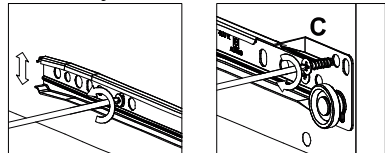


TIP
If desired, after assembly use an alcohol cleaner to erase the number printed on the parts.



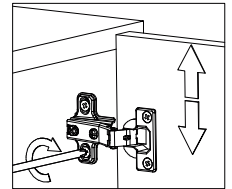
Detail 23

Drawer Adjustment Drawer Lock

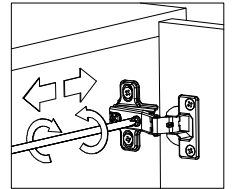


Detail 23

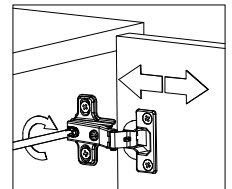
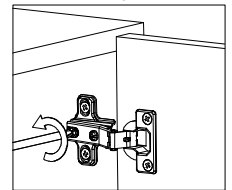
Height Adjustment



Internal Adjustment



Depth Adjustment



WARNING

Serious or fatal injuries can occur from furniture tipping over. To prevent the furniture from tipping over we recommend that it is permanently fixed to the wall.

Wall fixings are not supplied with this product as different wall materials require different types of fixing devices. Please make sure you use fixings suitable for the walls in your home.

