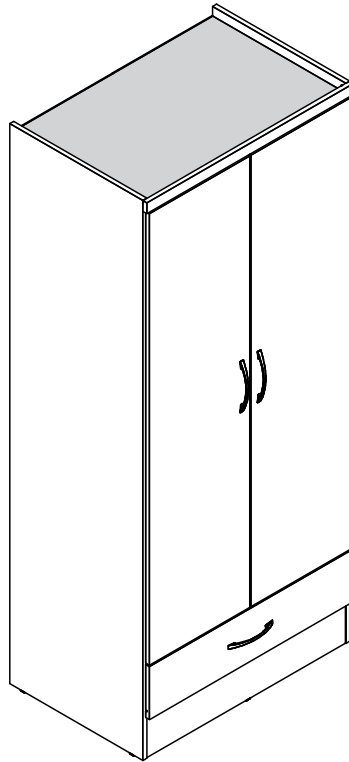


NEVADA 2 DOOR 1 DRAWER WARDROBE

ASSEMBLY INSTRUCTIONS



IMPORTANT

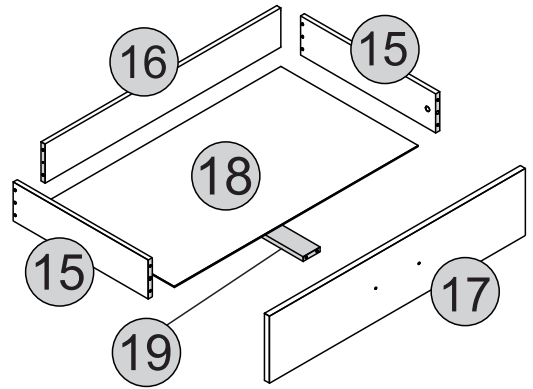
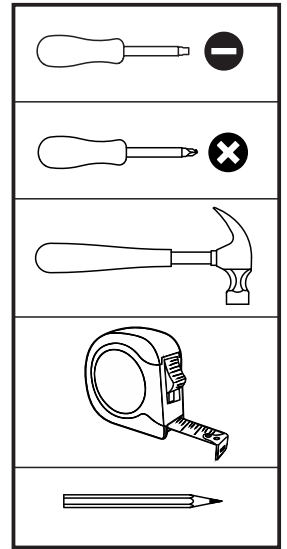
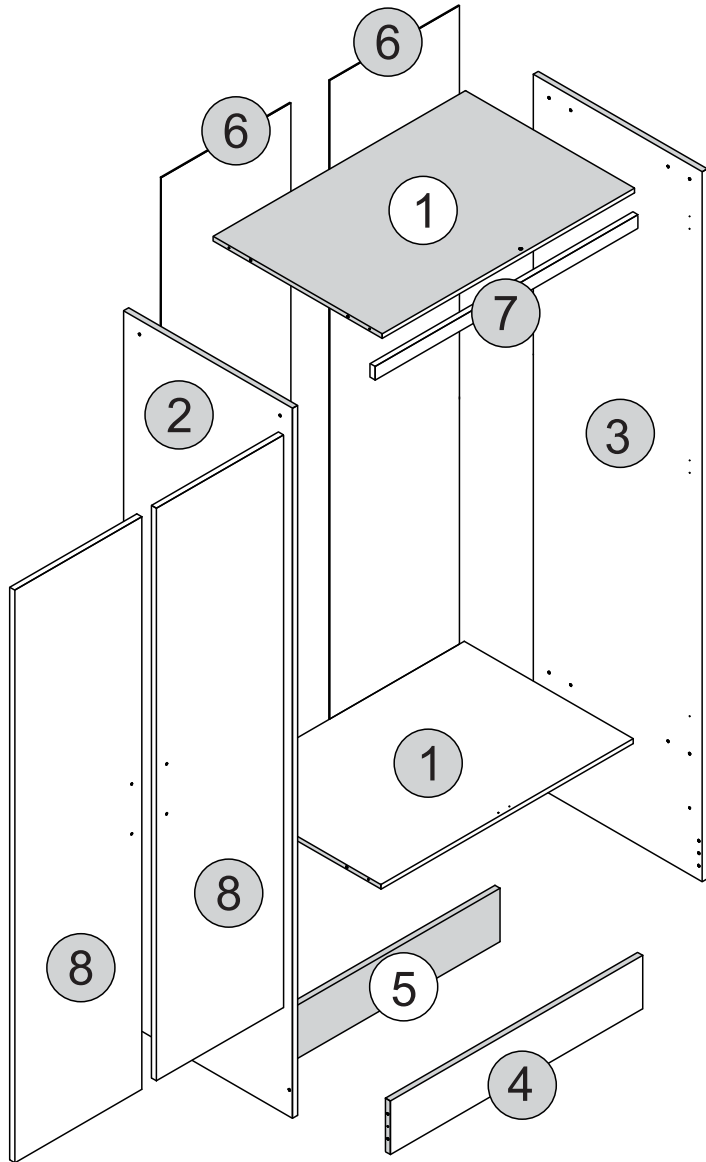
FOR DOMESTIC USE ONLY

PLEASE READ BEFORE YOU CONTINUE FURTHER

CARE AND MAINTENANCE

After unpacking this product please keep the original packaging in case it needs to be returned for any reason.

- Please ensure all fittings and parts are present before commencing with assembly.
- Never drag or push products as this could cause damage to the joints making it inferior.
- We strongly recommend that you keep children away from your work area.
- We recommend that you lay a blanket or sheet on the floor to avoid damage to both your floor and the product.
- Assemble this product as close to its final position as possible.
- Do not place this product next to a radiator or in direct sunlight.
- Do not drag or push items across your high gloss furniture as this may cause the surface to scratch
- Wood is a natural product and may expand if subjected to damp and may shrink or crack if subjected to heat. Therefore it is recommended that room temperature is maintained, with no sudden temperature fluctuations.
- Make sure any spillage is wiped off immediately.
- Do not place hot or chilled items directly on to the surface, use a place mat or marking will occur.
- For general cleaning use a soft cotton or micro fibre cloth, and do not use detergents of any kind.
- From time to time it may be necessary to tighten fittings, regular inspections should be carried out.
- Do not place on a wet or damp floor as staining may occur to your floor.




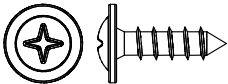
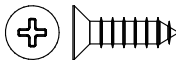
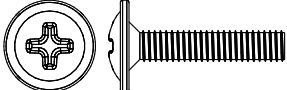
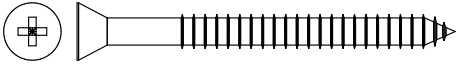


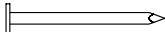

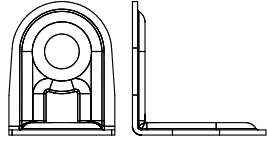
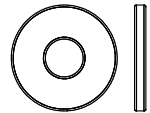
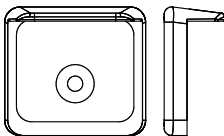
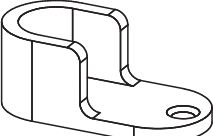
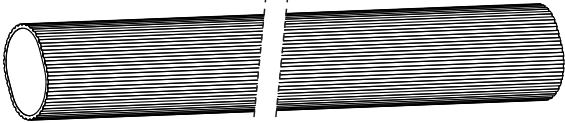
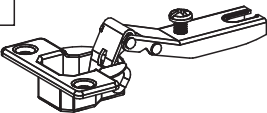

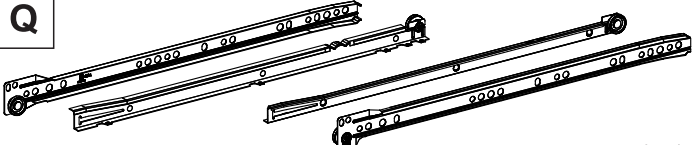
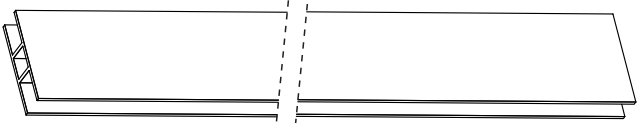




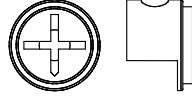
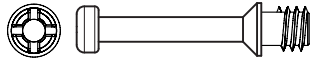
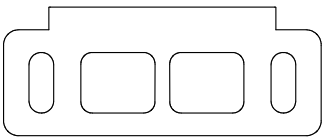
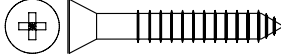
PARTS LIST

Please Note:
The below parts have all been stamped with the part number to help identify them during assembly.

Part Number	Part Description	Quantity	Carton
01	Base-Top Panel	2	1/2
02	Left Side Panel	1	1/2
03	Right Side Panel	1	1/2
04	Front Baseboard	1	2/2
05	Back Baseboard	1	2/2
06	Back Panel	2	1/2
07	Frame	1	2/2
08	Door	2	2/2
15	Drawer Side	2	1/2
16	Drawer Back Panel	1	2/2
17	Drawer Front	1	2/2
18	Drawer Bottom	1	1/2
19	Drawer Bottom Support Bar	1	2/2


FITTINGS LIST

SEC/SW/03/22/DM1

<p>A</p>  <p>Flat Head Screw Ø6,0 x 8mm (4x)</p> <p>1/+</p>	<p>B</p>  <p>Flan Head Screw Ø3,5 x 12mm (10x)</p> <p>1/+</p>	<p>C</p>  <p>Flat Head Screw Ø4,0 x 14mm (34x)</p> <p>2/+</p>	<p>D</p>  <p>Flan Head Screw Ø4,0 x 20mm (6x)</p> <p>1/+</p>
<p>E</p>  <p>Flat Head Screw Ø4,0 x 45mm (14x)</p> <p>2/+</p>		<p>F</p>  <p>Flat Head Screw Ø4,0 x 12mm (8x)</p> <p>1/+</p>	<p>G</p>  <p>2/+ Dowel Ø6,0 x 30mm (26x)</p>
<p>H</p>  <p>Nail 10 x 10 (65x)</p> <p>5/+</p>	<p>I</p>  <p>Flan Head Screw Ø3,5 x 30mm (2x)</p> <p>1/+</p>	<p>J</p>  <p>1/+ 'L' Metallic Support (4x)</p>	<p>K</p>  <p>Washer (4x)</p> <p>1/+</p>
<p>L</p>  <p>Plastic Foot (6x)</p> <p>1/+</p>	<p>M</p>  <p>Hanging Rail Support (2x)</p>	<p>N</p>  <p>Hanging Rail (1x)</p>	
<p>O</p>  <p>Hinge (6x)</p>	<p>P</p>  <p>Hinge Plate (6x)</p>	<p>Q</p>  <p>Drawer Runners (1x)</p>	
<p>R</p>  <p>Back Panel Strip (1x)</p>		<p>S</p>  <p>Strap (2x)</p>	<p>T</p>  <p>Handle (3x)</p>
<p>U</p>  <p>Hole Plugs (16x)</p> <p>2/+</p>	<p>V</p>  <p>Glue (2x)</p>	<p>W</p>  <p>Cam Nut (2x)</p> <p>1/+</p>	<p>X</p>  <p>Cam Bolt (2x)</p> <p>1/+</p>
<p>Y</p>  <p>Door Support (2x)</p>	<p>Z</p>  <p>Flat Head Screw Ø3,5 x 25mm (1x)</p> <p>1/+</p>		

TIPS FOR FITTINGS CAM-LOCKS


WHEN FITTING CAM NUT, ENSURE STARTING POSITION IS CORRECT BEFORE YOU INSERT CONNECTING CAM BOLT TURN CLOCKWISE UNTIL SECURE



✓

↑

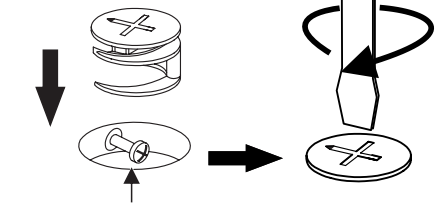
CORRECT



✗

↑

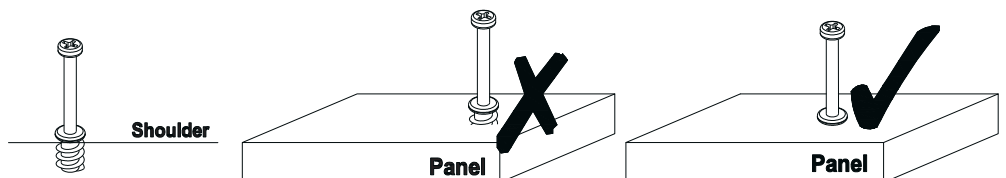
WRONG



Cam bolt head needs to be in centre

CAMBOLT

Tighten until shoulder is flush with panel. Do not overtighten or undertighten (see example beside)




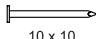
STEP 1

PARTS REQUIRED

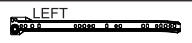
2 - LEFT SIDE PANEL x1

HARDWARE REQUIRED

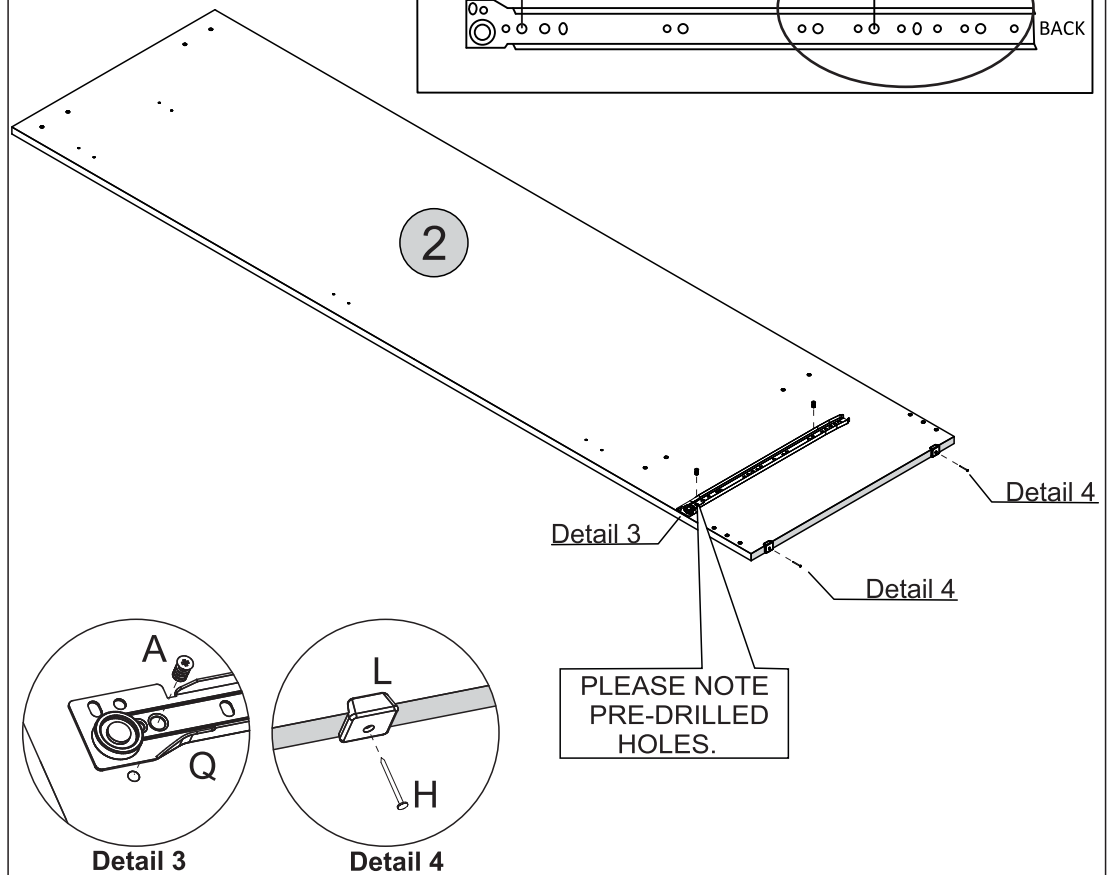
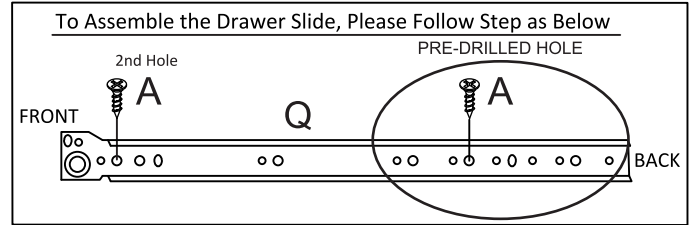
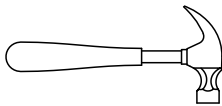
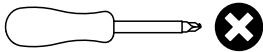
A  02
Ø6,0 x 8mm

H  02
10 x 10

L  02

Q  01

TOOLS REQUIRED

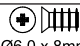


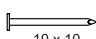
STEP 2

PARTS REQUIRED

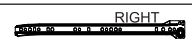
3 - RIGHT SIDE PANEL x1

HARDWARE REQUIRED

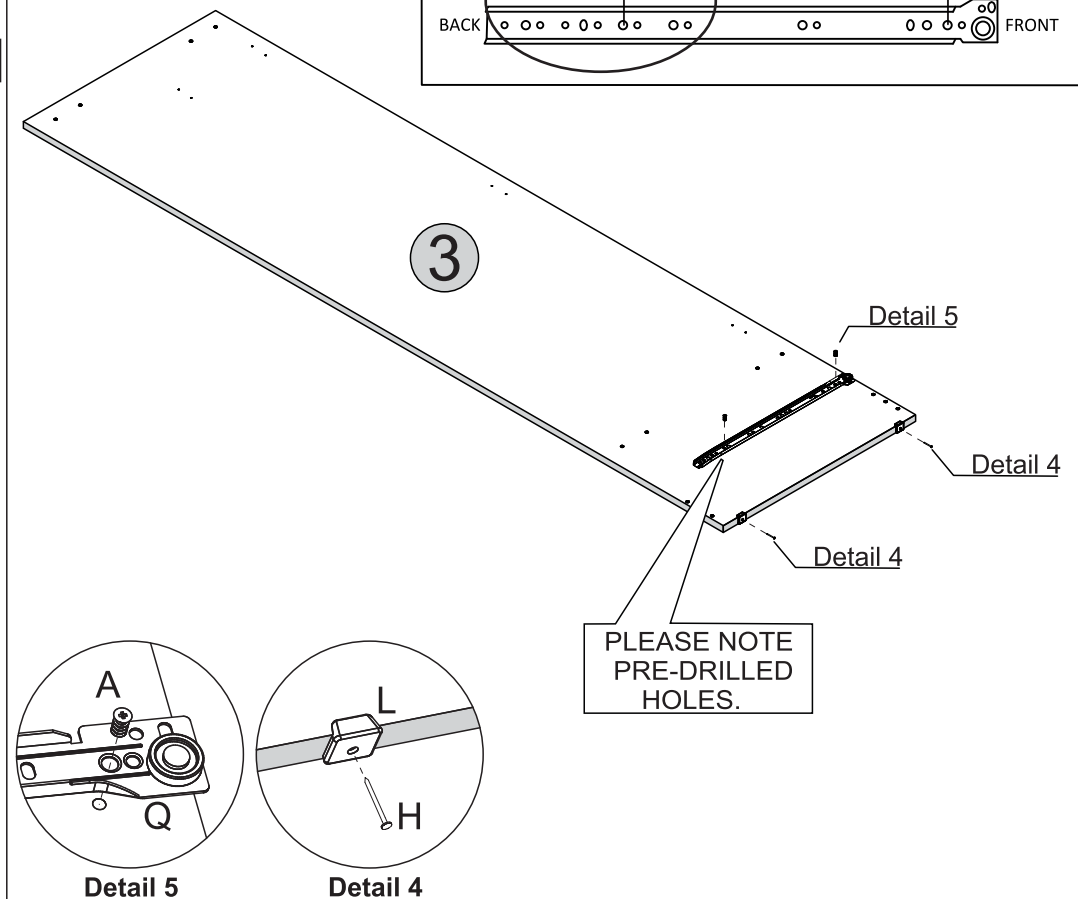
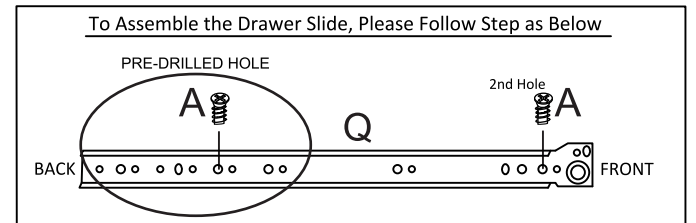
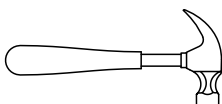
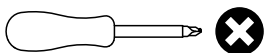
A  02
Ø6,0 x 8mm

H  02
10 x 10

L  02

Q  01

TOOLS REQUIRED

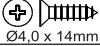



STEP 3

PARTS REQUIRED

2 - LEFT SIDE PANEL x1

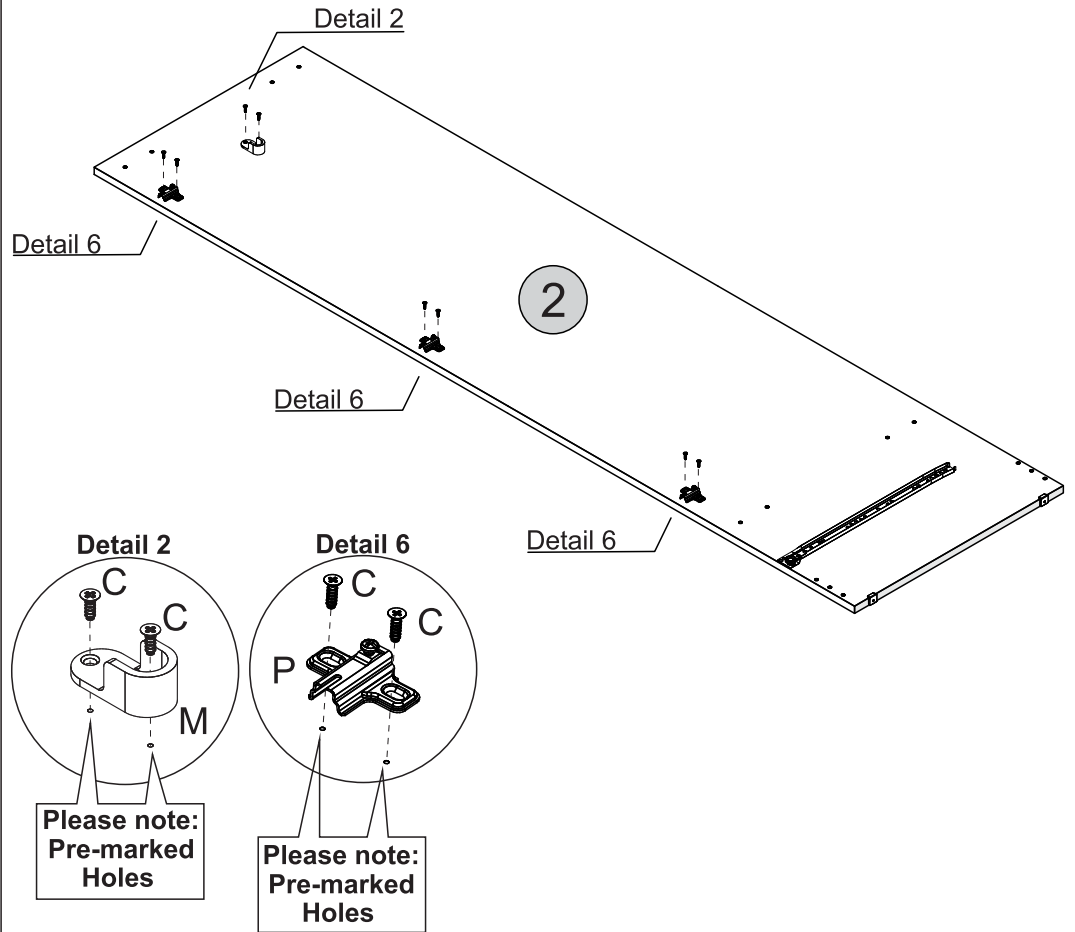
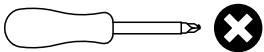
HARDWARE REQUIRED

C  08
Ø4,0 x 14mm

M  01

P  03

TOOLS REQUIRED

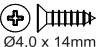



STEP 4

PARTS REQUIRED

3 - RIGHT SIDE PANEL x1

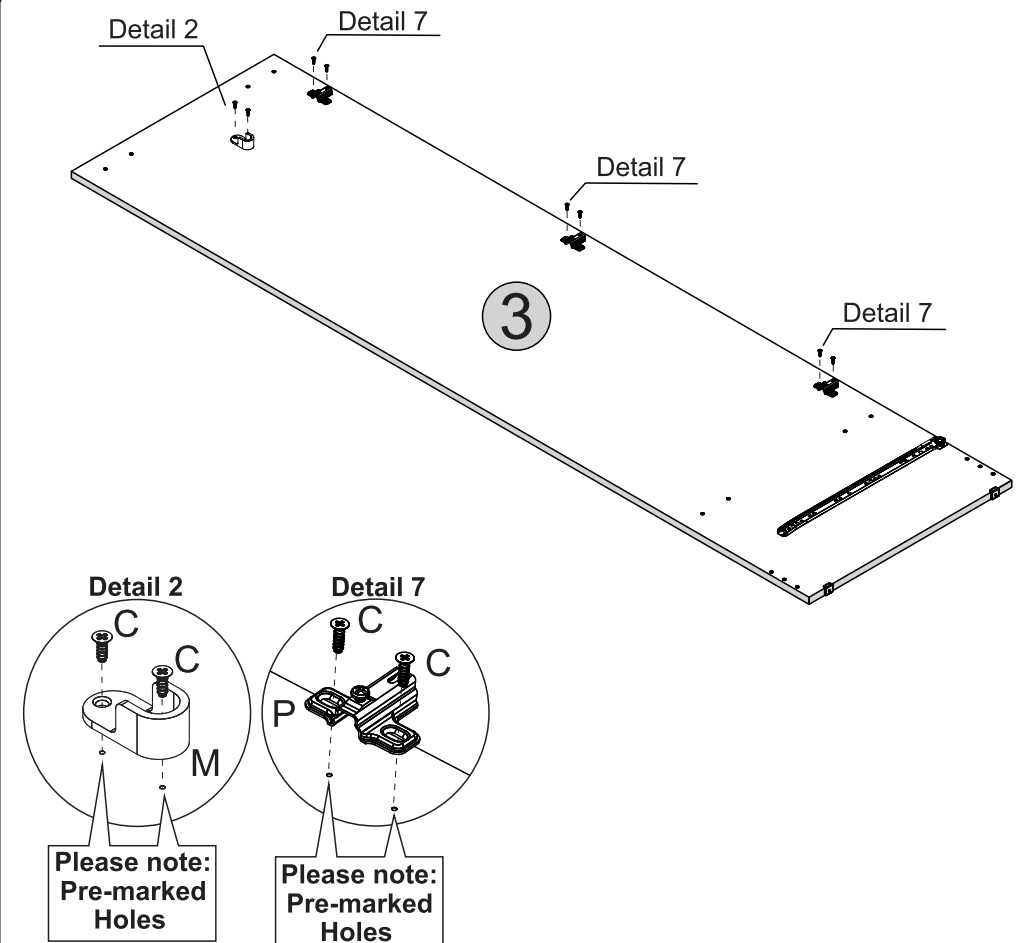
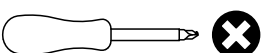
HARDWARE REQUIRED

C  08
Ø4,0 x 14mm

M  01

P  03

TOOLS REQUIRED




STEP 5

PARTS REQUIRED

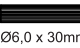
1A - TOP PANEL x1


1B - BASE PANEL x1

HARDWARE REQUIRED

B  04
Ø3,5 x 12mm

F  02
Ø4,0 x 12mm

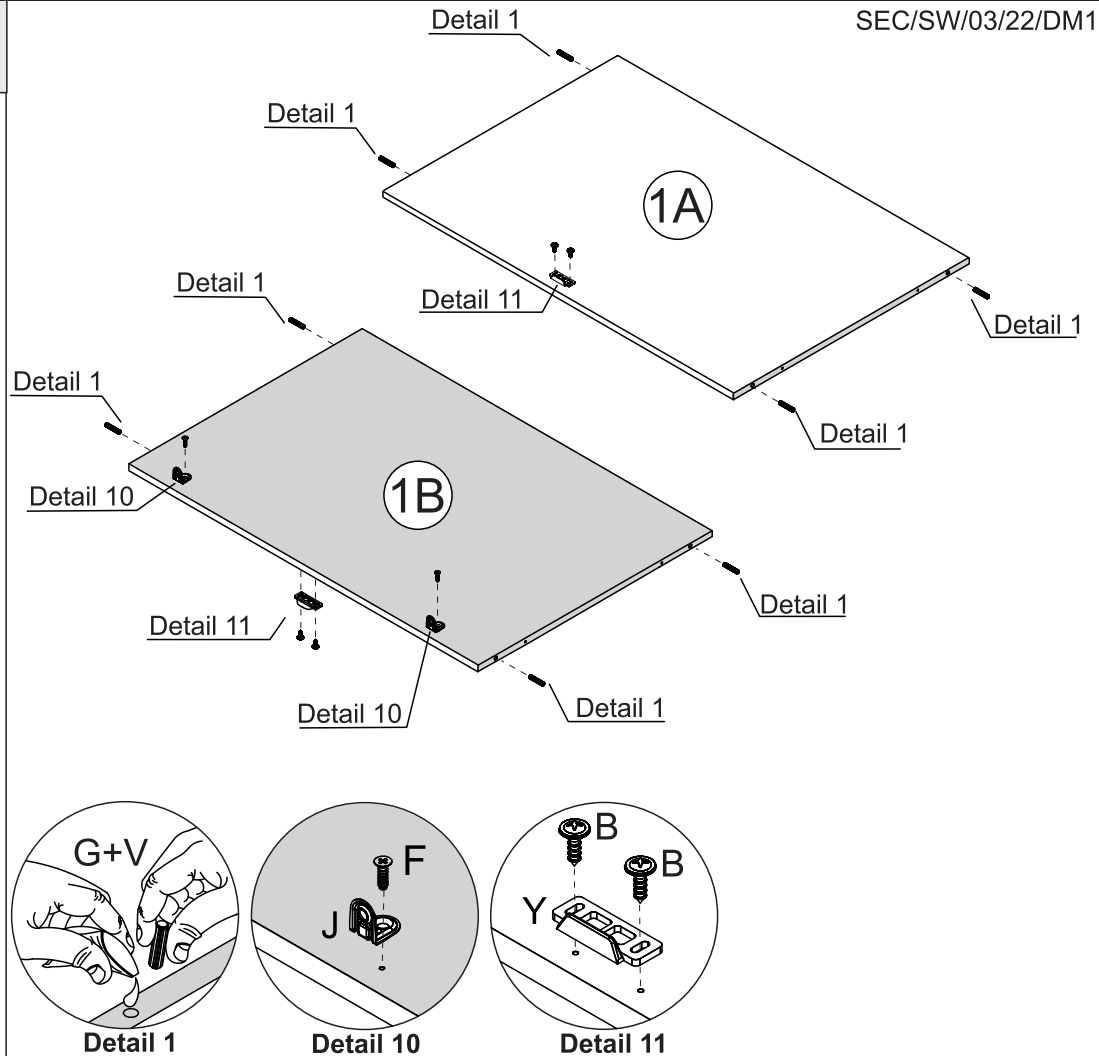
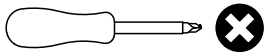
G  08
Ø6,0 x 30mm

J  02

V  01

Y  02

TOOLS REQUIRED



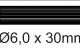
STEP 6

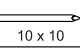
PARTS REQUIRED

4 - FRONT BASEBOARD x1


5 - BACK BASEBOARD x1

HARDWARE REQUIRED

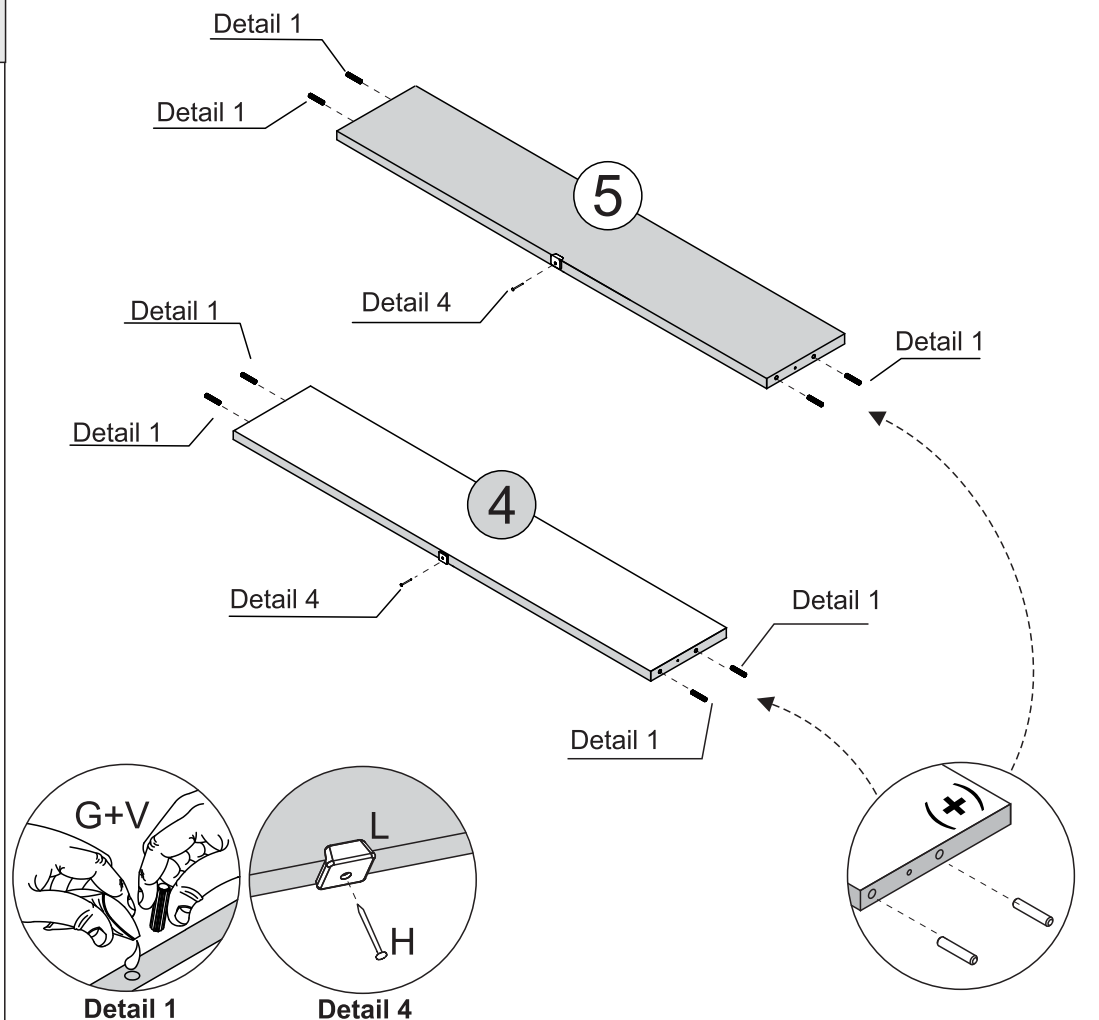
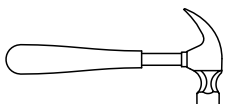
G  08
Ø6,0 x 30mm

H  02
10 x 10

L  02

V  01

TOOLS REQUIRED

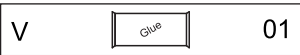
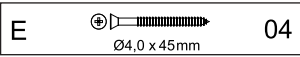


STEP 7

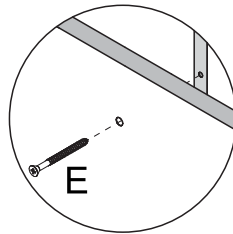
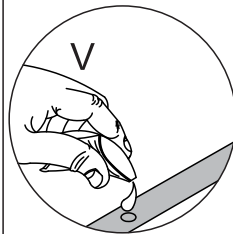
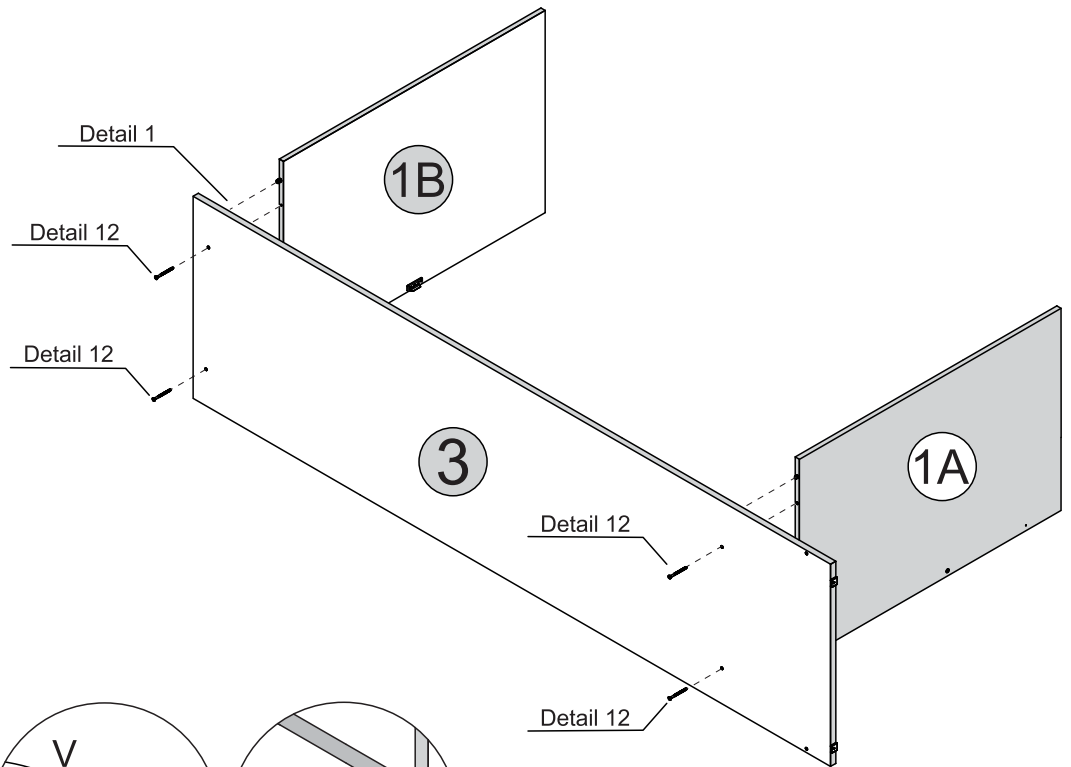
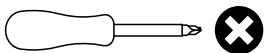
PARTS REQUIRED

- 1A - BASE PANEL x1
- 1B - TOP PANEL x1
- 3 - RIGHT SIDE PANEL x1

HARDWARE REQUIRED



TOOLS REQUIRED



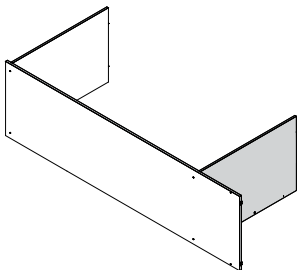
Detail 1

Detail 12

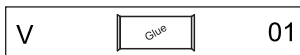
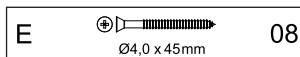
STEP 8

PARTS REQUIRED

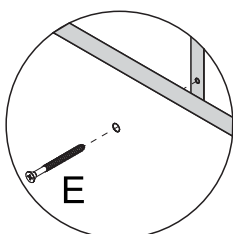
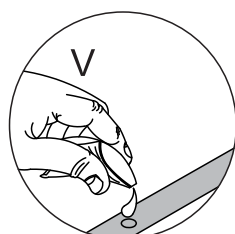
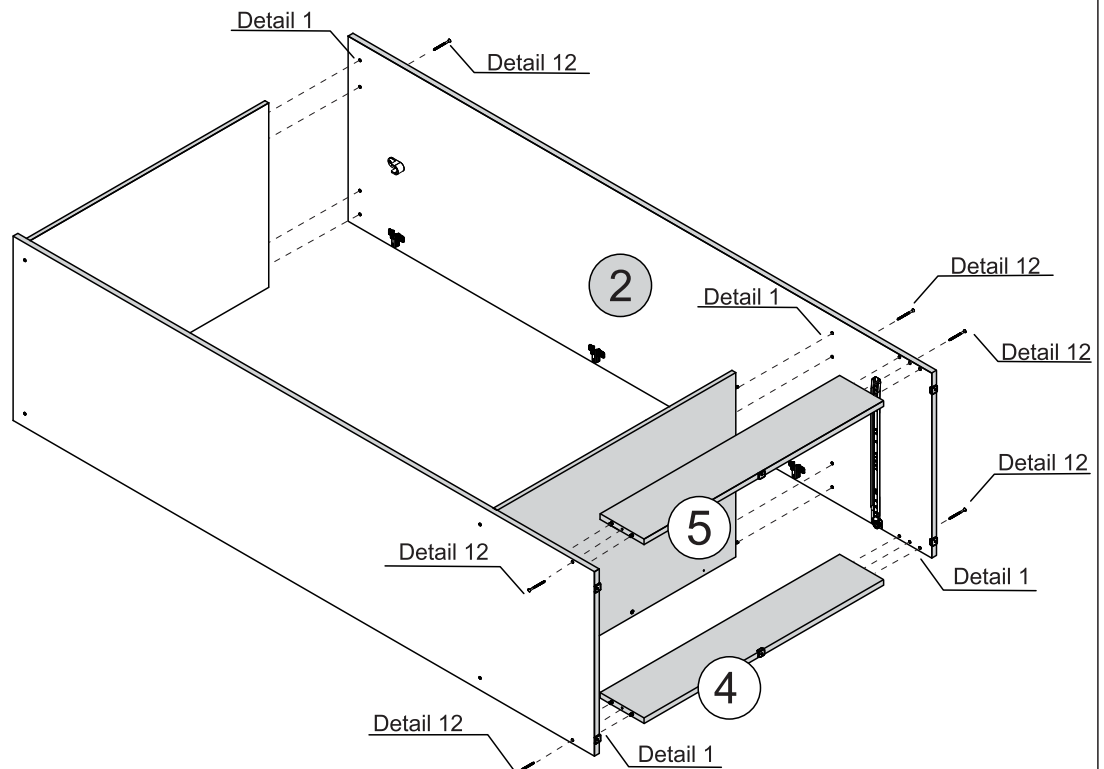
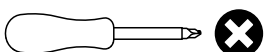
- 4 - FRONT BASEBOARD x1
- 5 - BACK BASEBOARD x1
- 2 - LEFT SIDE PANEL x1



HARDWARE REQUIRED



TOOLS REQUIRED



Detail 1

Detail 12

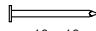
STEP 9

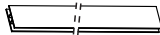
PARTS REQUIRED

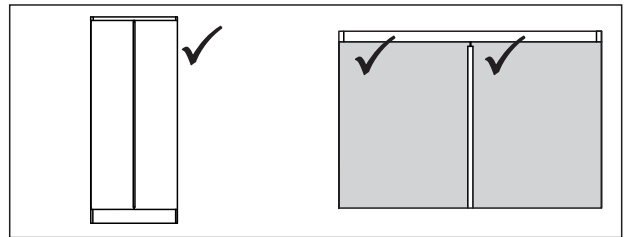
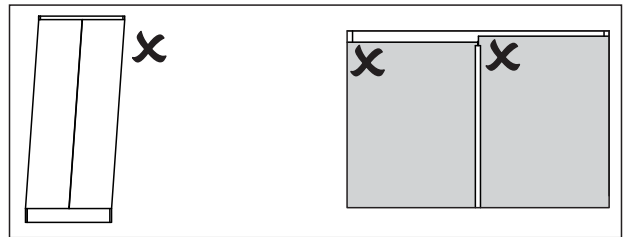
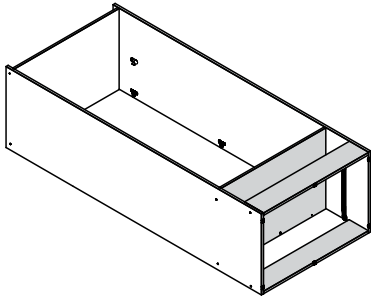
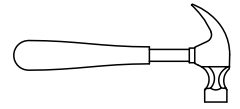
HARDWARE REQUIRED

TOOLS REQUIRED

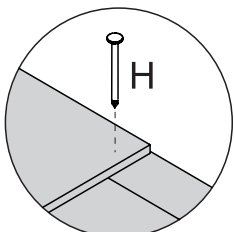
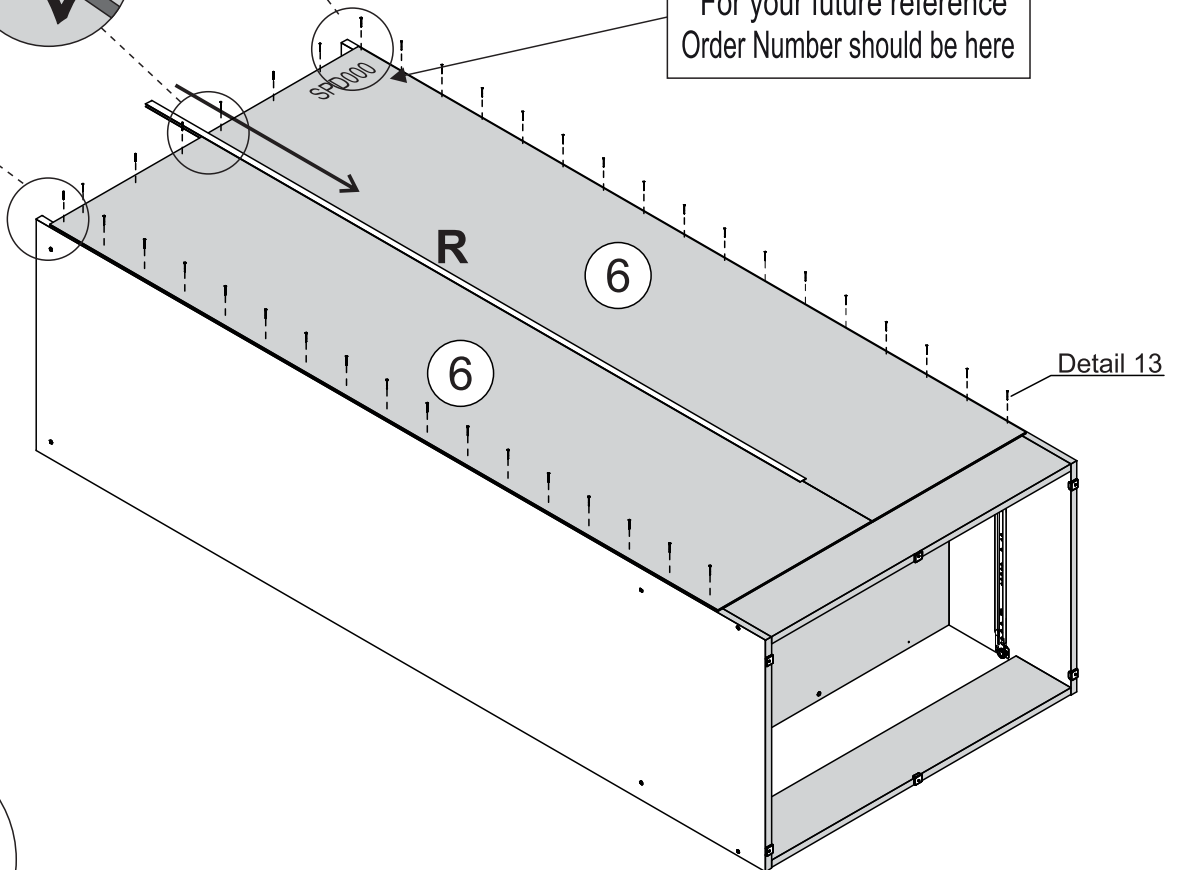
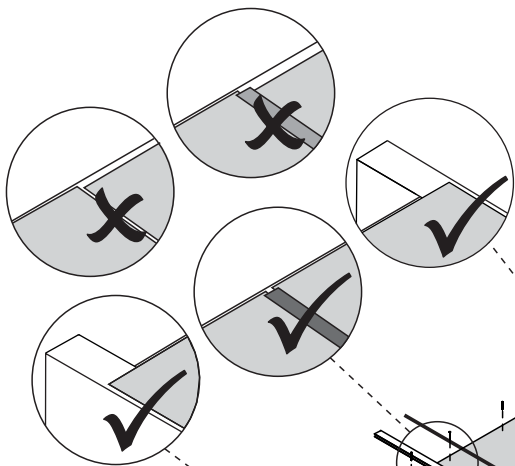
6 - BACK PANEL x2

H  10 x 10 40

R  01



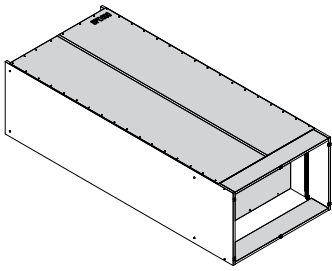
* For your future reference
Order Number should be here



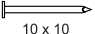

Detail 13

STEP 10

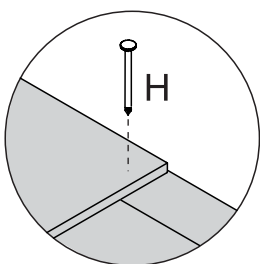
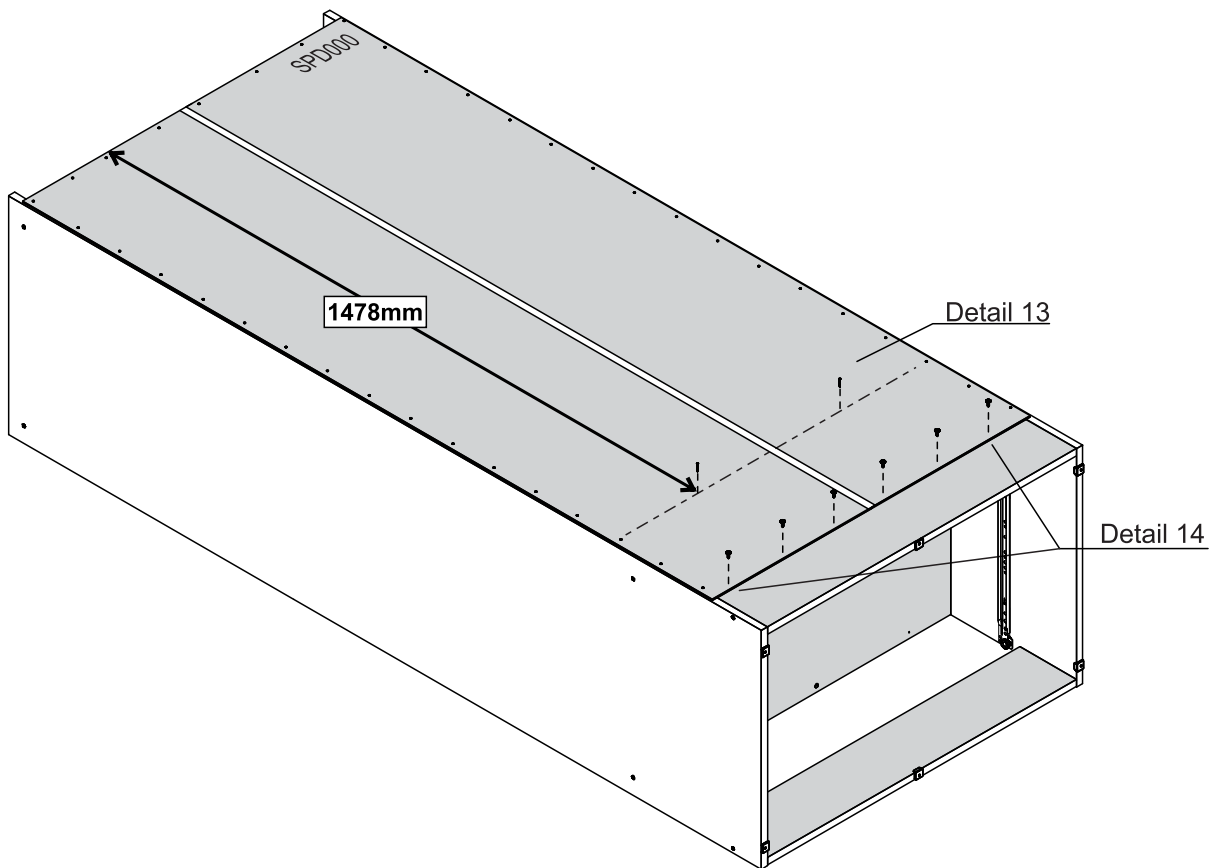
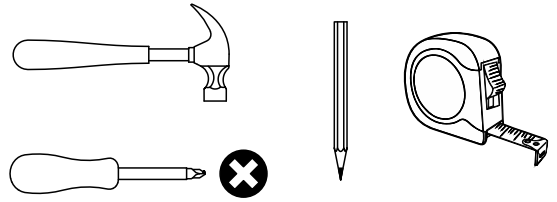
PARTS REQUIRED



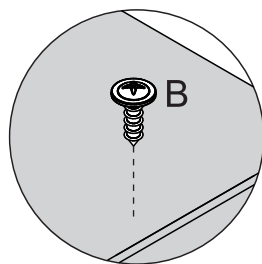
HARDWARE REQUIRED

H		02
B		06

TOOLS REQUIRED



Detail 13

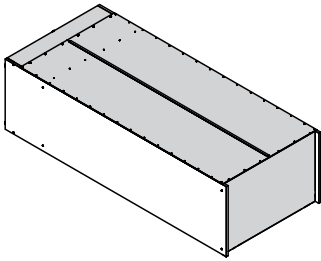


Detail 14


STEP 11


PARTS REQUIRED

7 - FRAME x1

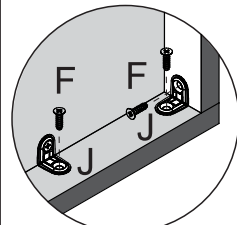
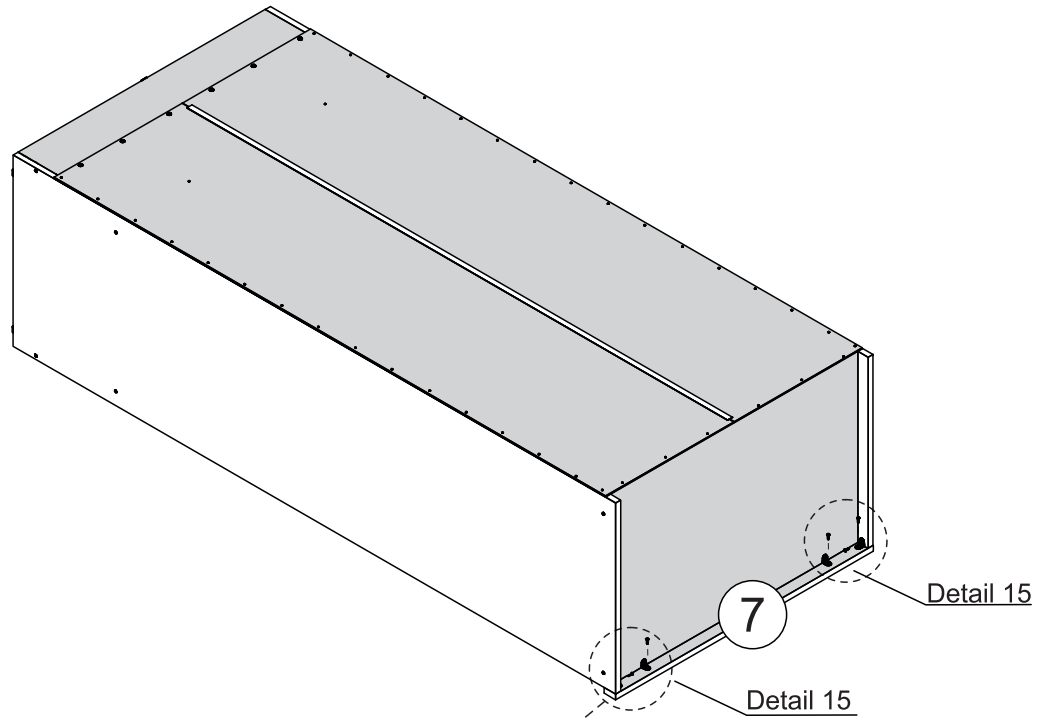
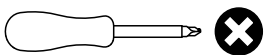


HARDWARE REQUIRED

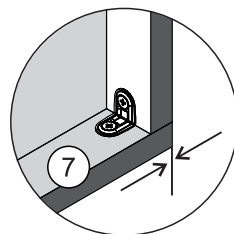
J  02

F  Ø4,0 x 12mm 06

TOOLS REQUIRED



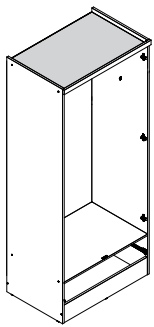
Detail 15



Align corners

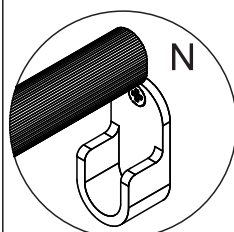
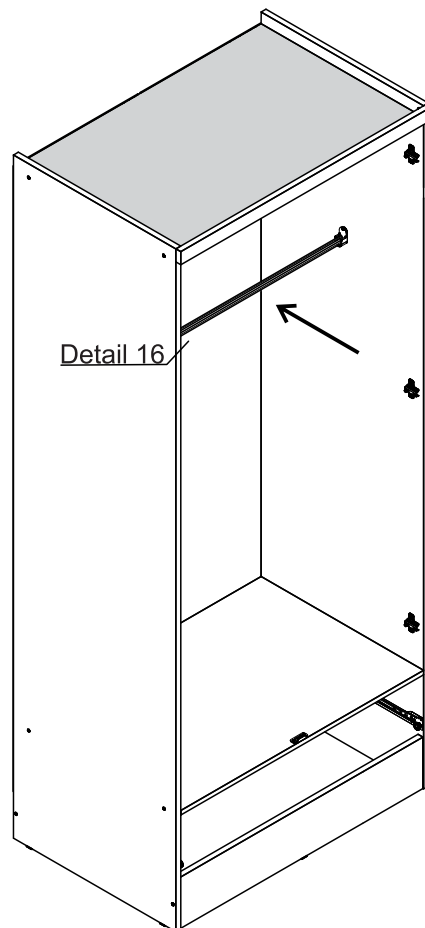
STEP 12

PARTS REQUIRED



HARDWARE REQUIRED

N  01



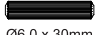

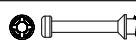
Detail 16

STEP 13

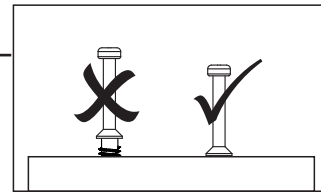
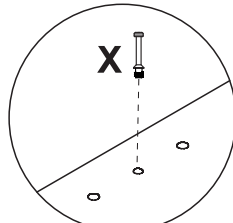
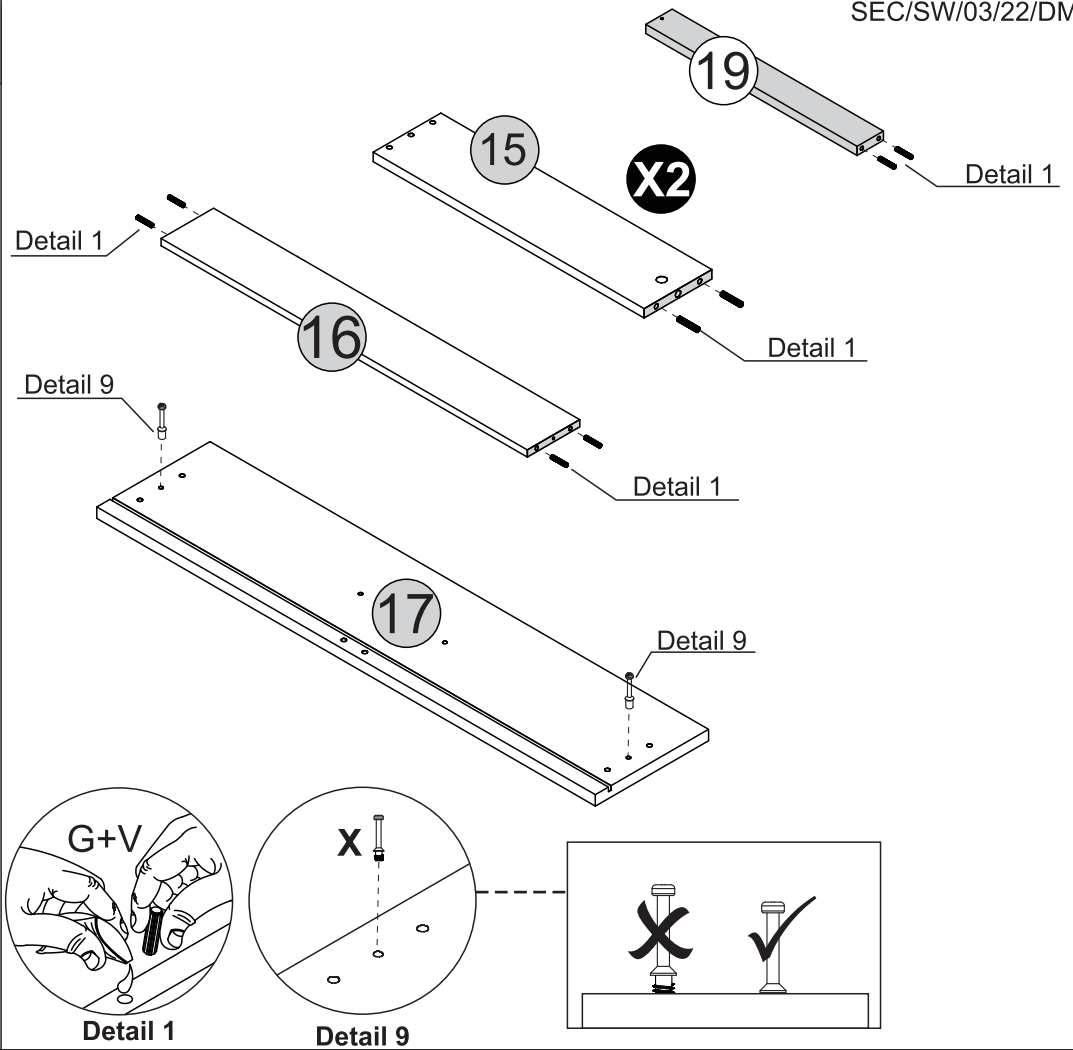
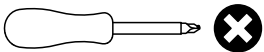
PARTS REQUIRED

15 - DRAWER SIDE	x2
16 - DRAWER BACK PANEL	x1
17 - DRAWER FRONT	x1
19 - DRAWER BOTTOM SUPPORT BAR	x1

HARDWARE REQUIRED

G		10
V		01
X		02

TOOLS REQUIRED

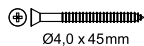


STEP 14

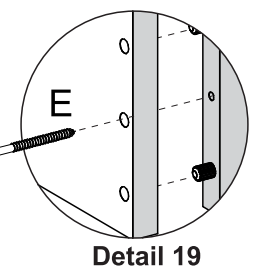
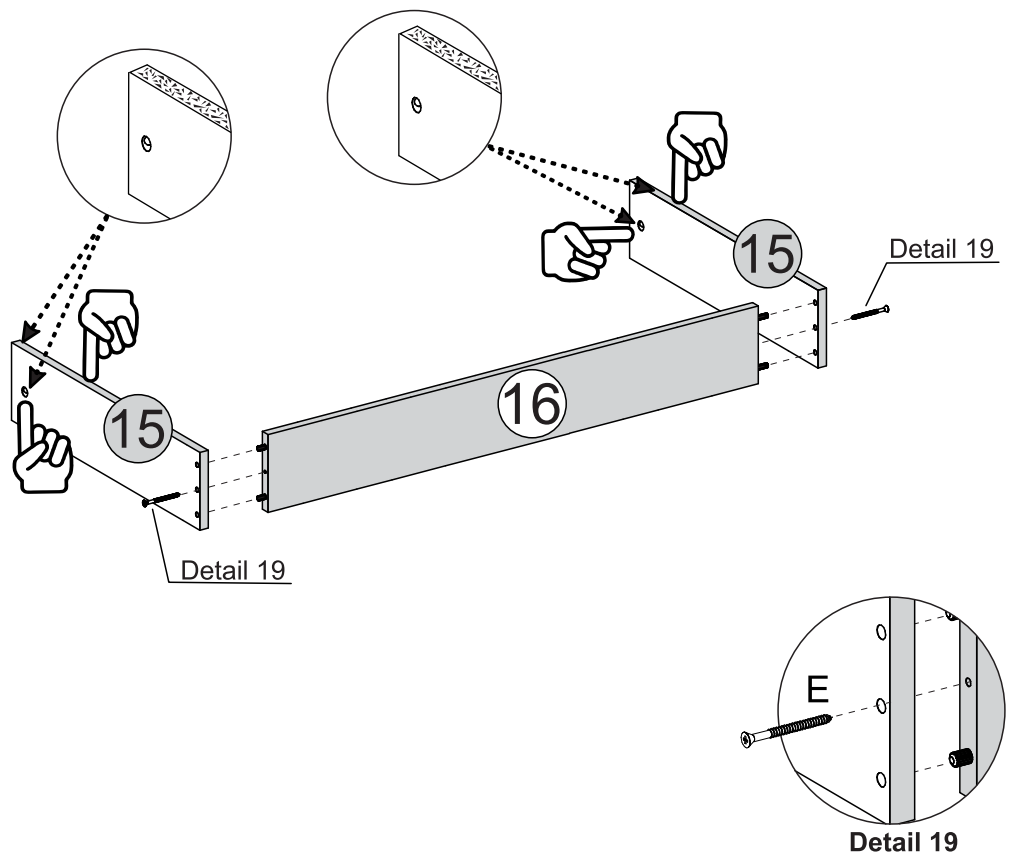
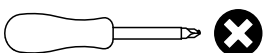
PARTS REQUIRED

15 - DRAWER SIDE	x2
16 - DRAWER BACK PANEL	x1

HARDWARE REQUIRED

E		02
---	---	----

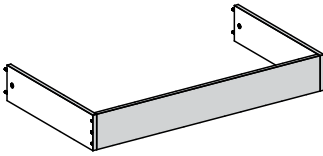
TOOLS REQUIRED



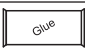
STEP 15

PARTS REQUIRED

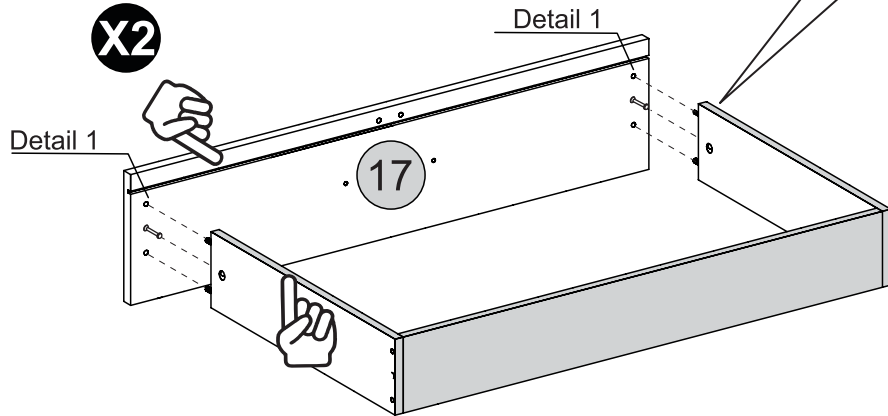
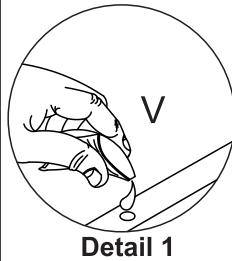
17 - DRAWER FRONT x1



HARDWARE REQUIRED

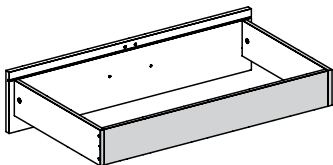
V  01

TOOLS REQUIRED



STEP 16

PARTS REQUIRED

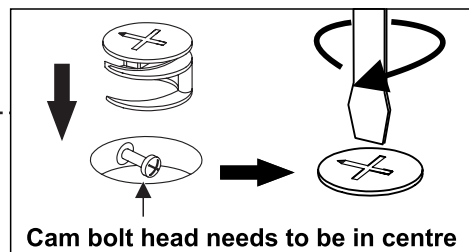
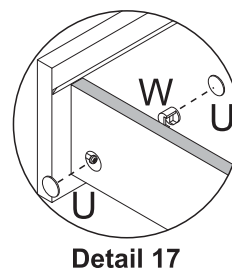
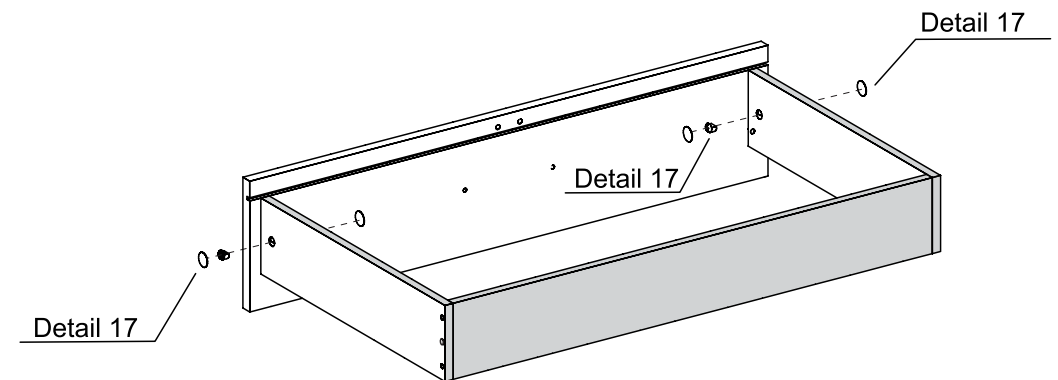
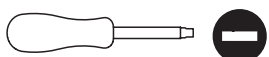


HARDWARE REQUIRED

U  04

W  02

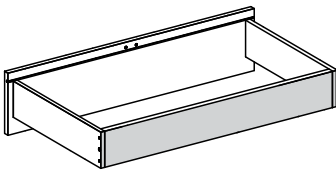
TOOLS REQUIRED



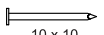
STEP 17

PARTS REQUIRED

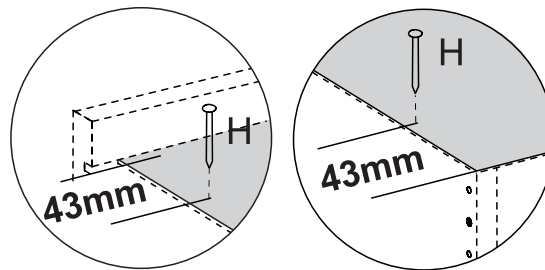
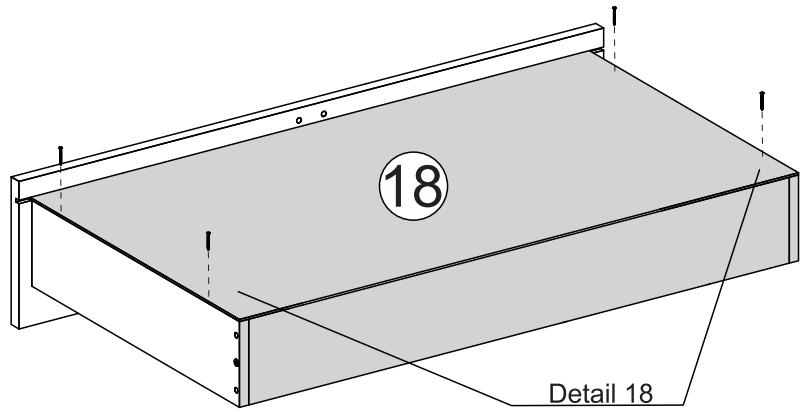
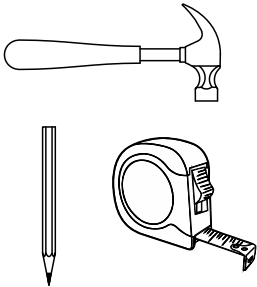
18 - DRAWER BOTTOM x1



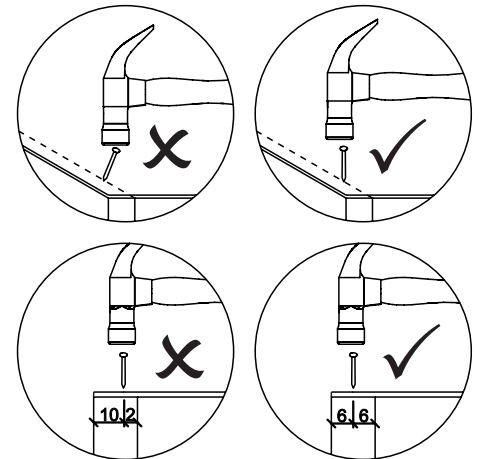
HARDWARE REQUIRED

H  04
10 x 10

TOOLS REQUIRED



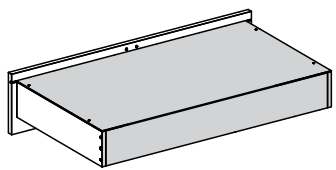
Detail 18



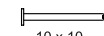
STEP 18

PARTS REQUIRED

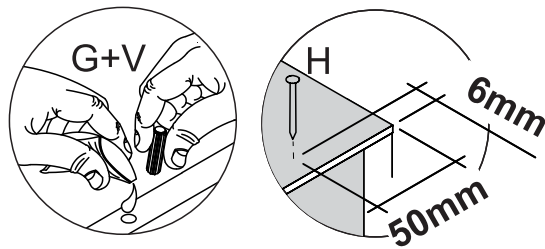
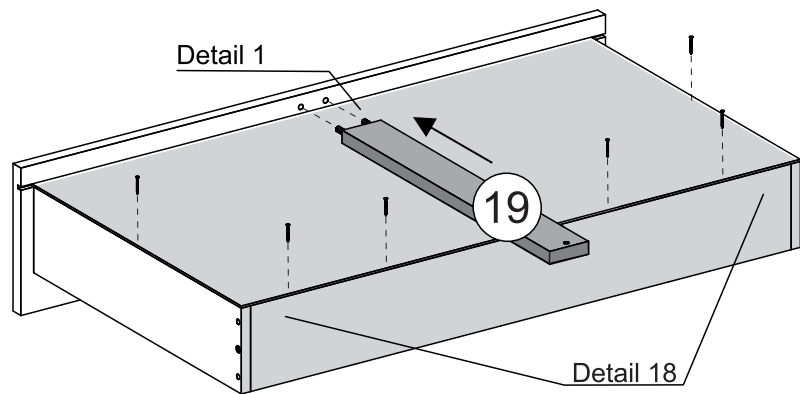
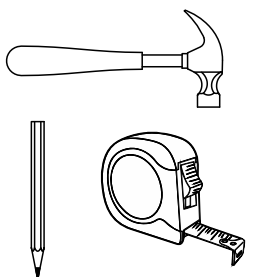
19 - DRAWER BOTTOM SUPPORT BAR x1



HARDWARE REQUIRED

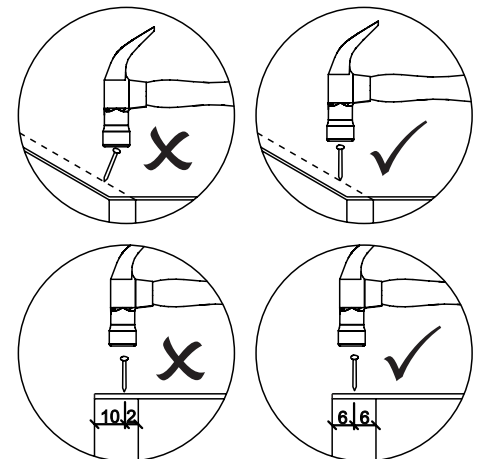
H  06
10 x 10

TOOLS REQUIRED



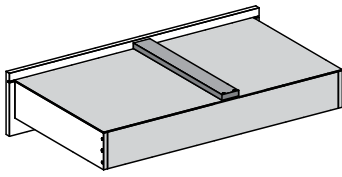
Detail 1

Detail 18

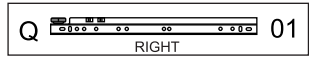
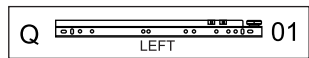
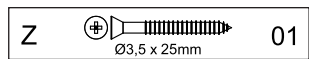
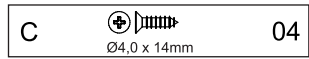


STEP 19

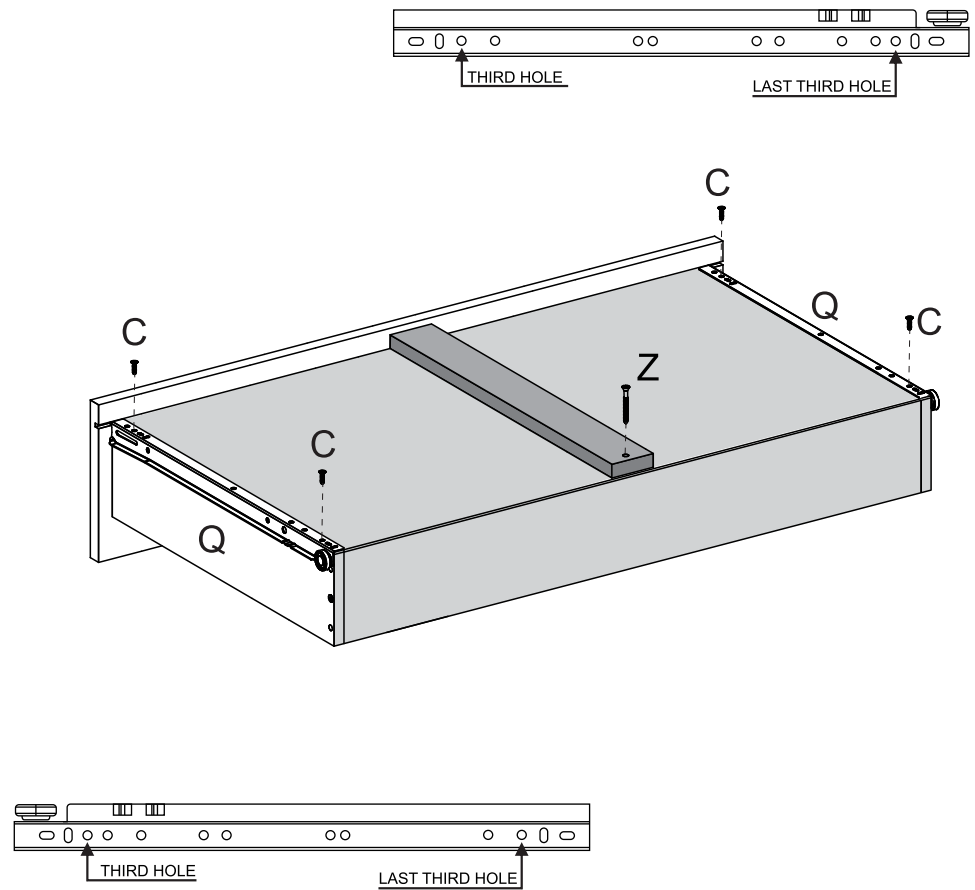
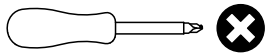
PARTS REQUIRED



HARDWARE REQUIRED

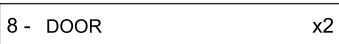


TOOLS REQUIRED

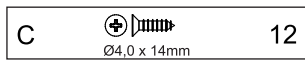


STEP 20

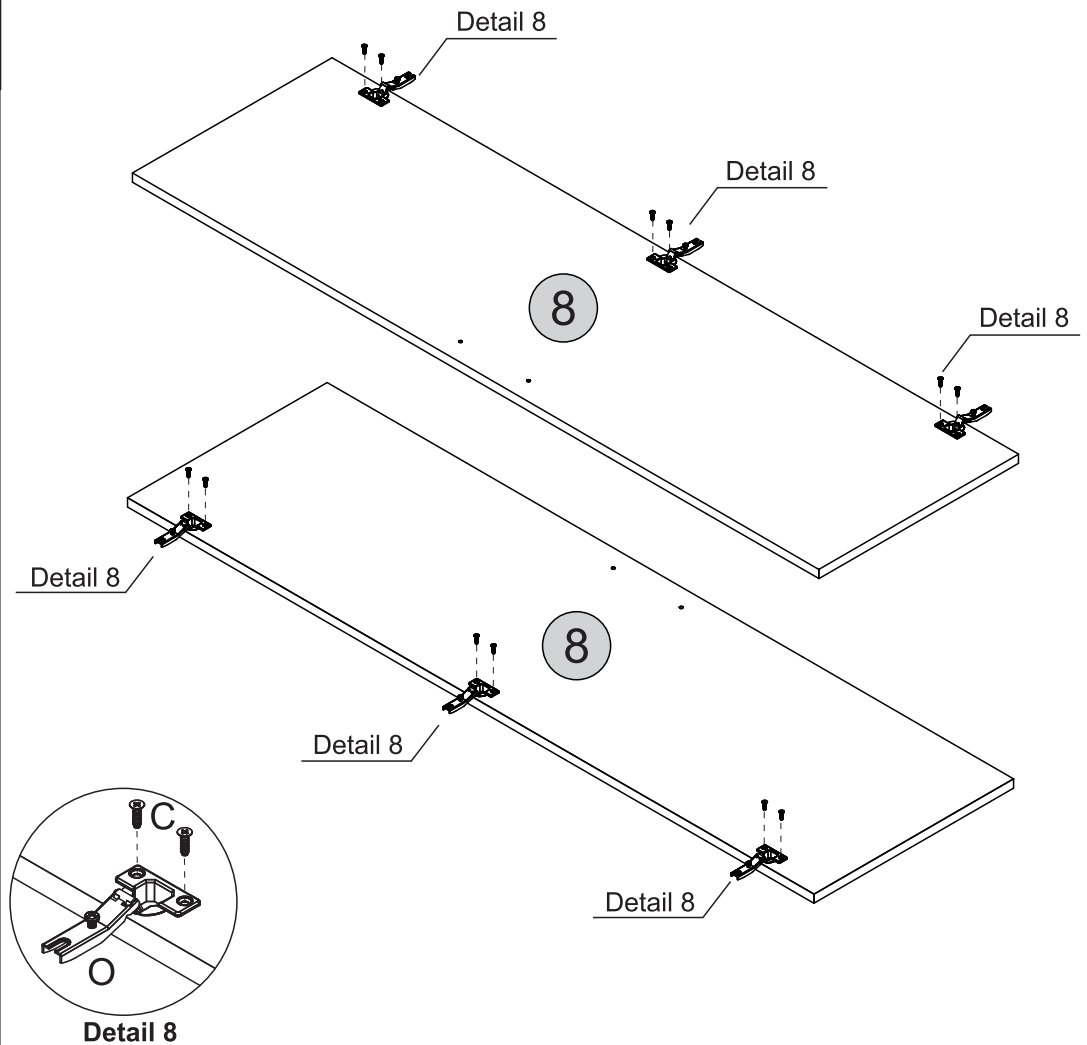
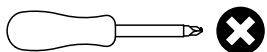
PARTS REQUIRED



HARDWARE REQUIRED



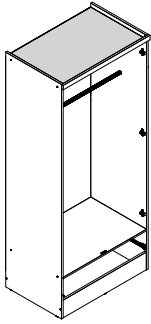
TOOLS REQUIRED



STEP 21

PARTS REQUIRED

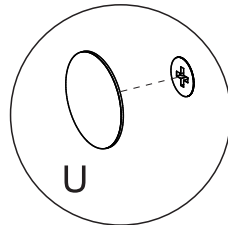
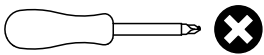
8 - DOOR x2



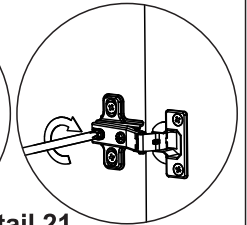
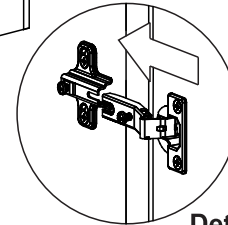
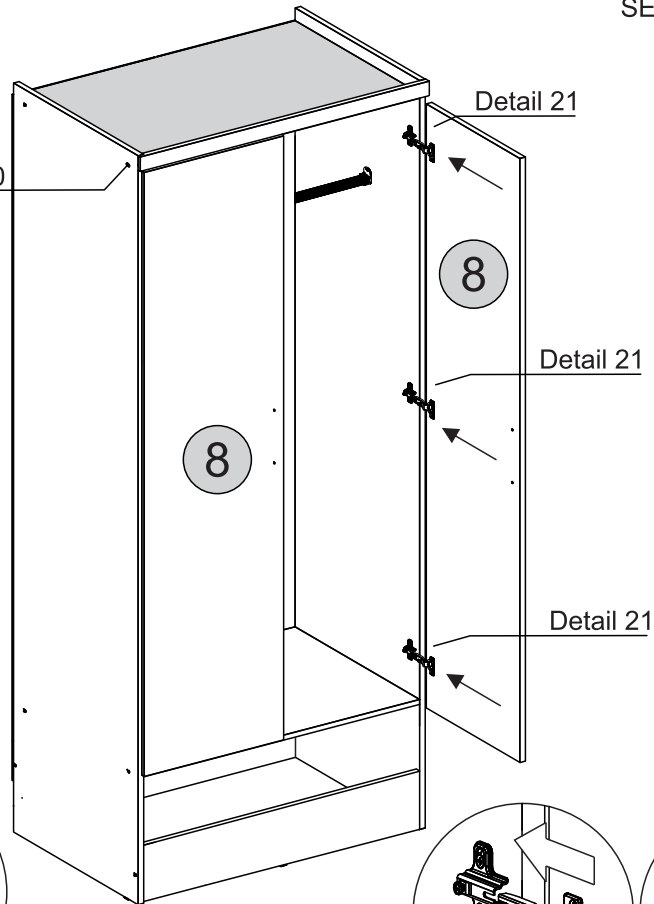
HARDWARE REQUIRED

U  12

TOOLS REQUIRED



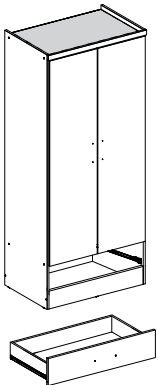
Detail 20




Detail 21


STEP 22

PARTS REQUIRED

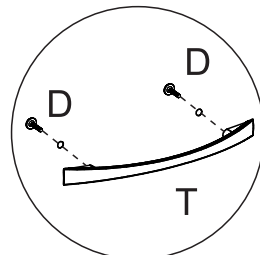
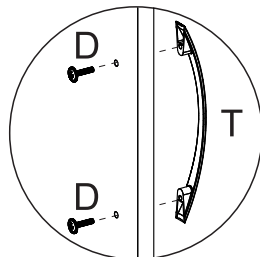
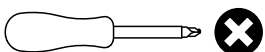


HARDWARE REQUIRED

D  06
Ø4,0 x 20mm

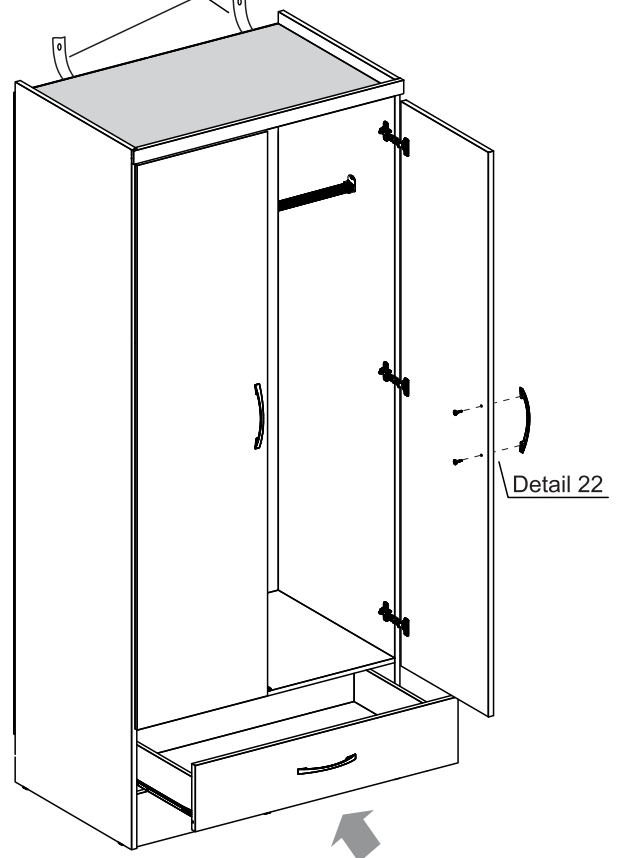
T  03

TOOLS REQUIRED



Detail 22

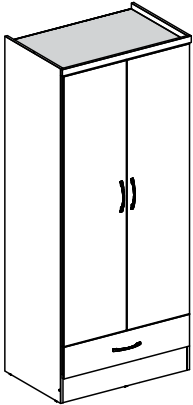
 See the last page



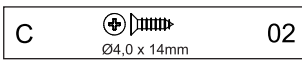
Detail 22

STEP 23

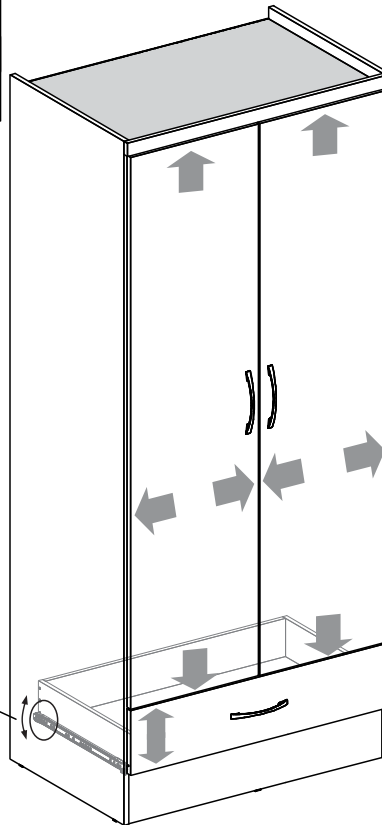
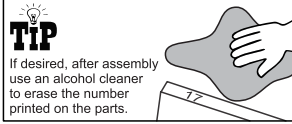
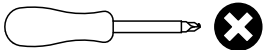
PARTS REQUIRED



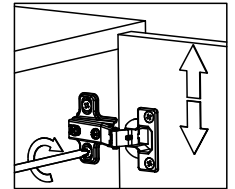
HARDWARE REQUIRED



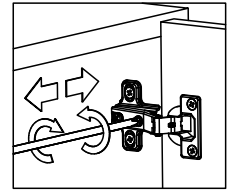
TOOLS REQUIRED



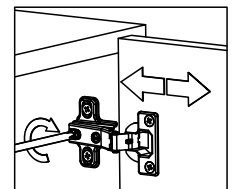
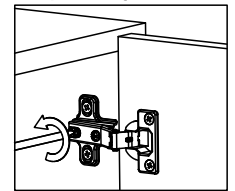
Height Adjustment



Internal Adjustment

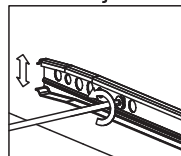


Depth Adjustment

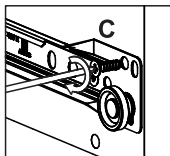


Detail 23

Drawer Adjustment



Drawer Lock



Detail 23

WARNING

Serious or fatal injuries can occur from furniture tipping over. To prevent the furniture from tipping over we recommend that it is permanently fixed to the wall.

Wall fixings are not supplied with this product as different wall materials require different types of fixing devices.

Please make sure you use fixings suitable for the walls in your home.

