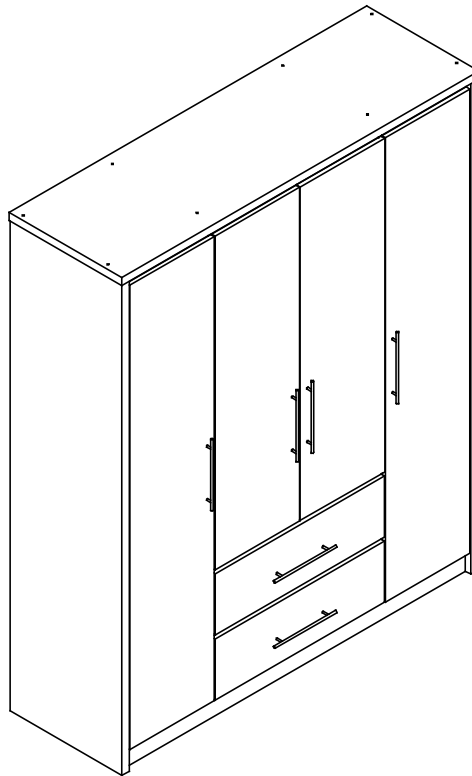


GREY GLOSS SEVILLE 4 DOOR 2 DRAWER WARDROBE ASSEMBLY INSTRUCTIONS



**FOR DOMESTIC USE ONLY
IMPORTANT**

PLEASE READ BEFORE YOU CONTINUE FURTHER

THE PRODUCT YOU HAVE PURCHASED WILL GIVE YOU MANY YEARS OF SERVICE IF YOU FOLLOW THE GUIDELINES FOR ITS SAFE ASSEMBLY AND PERIODIC MAINTENANCE AND CLEANING.

ASSEMBLE ON A SOFT CLEAN SURFACE.

DO NOT USE ANY TOOLS OTHER THAN THOSE SHOWN.

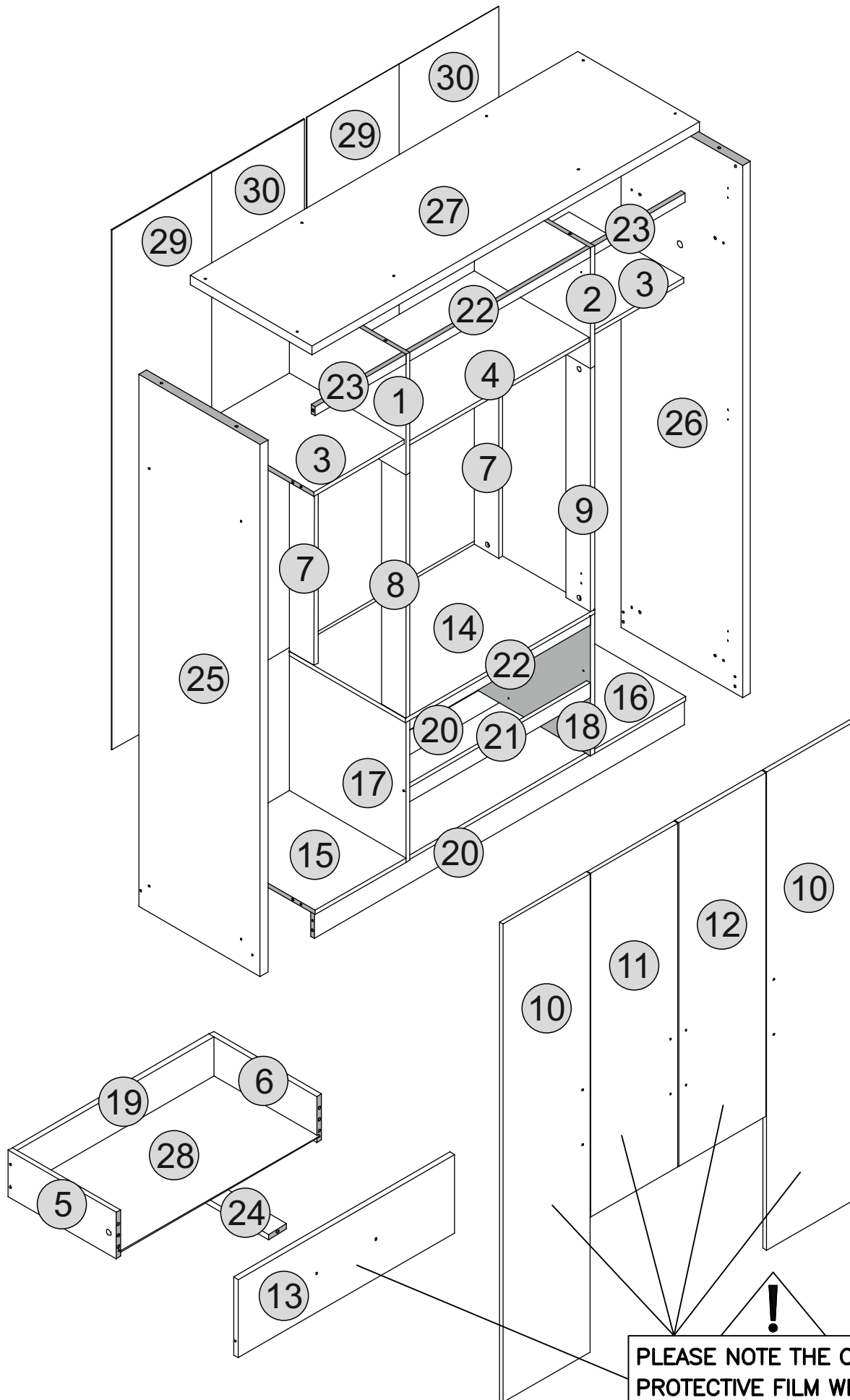
ANY SPANNERS OR ALLEN KEYS REQUIRED ARE INCLUDED WITH THE FITTING KIT.

DO NOT FOR ANY REASON USE A POWER TOOL TO ASSEMBLE THIS PRODUCT. ITS USE WILL INVALIDATE ANY CLAIM YOU MAY HAVE AND COULD MAKE THIS PRODUCT UNSAFE.

DEPENDING ON THE AMOUNT OF USE THIS PRODUCT RECEIVES, IT MAY BE NECESSARY TO TIGHTEN UP THE FIXINGS FROM TIME TO TIME. THIS IS COMPLETELY NORMAL FOR ANY FLAT PACK FURNITURE. DO NOT OVERTIGHTEN FIXINGS.

FOR CLEANING, YOU MAY USE A DAMP CLOTH (NOT WET). DO NOT USE POLISH, DETERGENT OR CHEMICAL CLEANERS.

THIS SURFACE OF THIS ITEM IS NOT HEAT RESISTANT. ALWAYS USE A PLACE MAT UNDER HOT OR COLD ITEMS TO PREVENT MARKING.

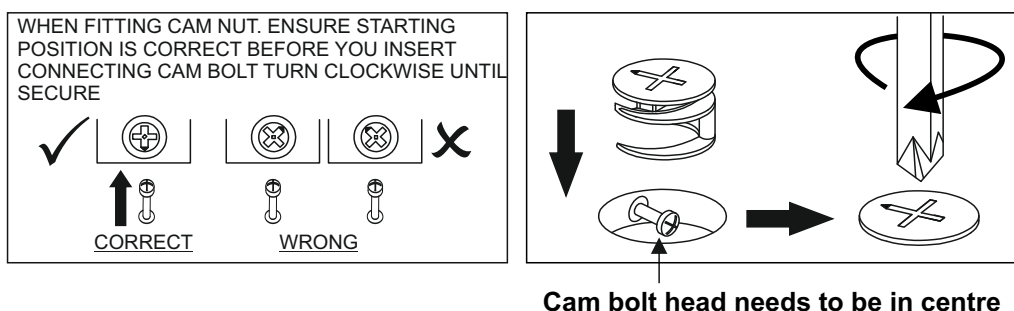


PLEASE NOTE THE CLEAR PROTECTIVE FILM WHICH NEEDS REMOVING FROM THE GLOSS FINISH.



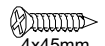

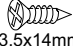

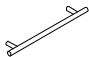

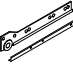
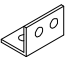



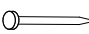
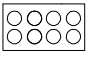

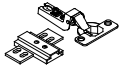
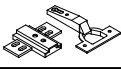

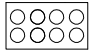
PART LIST

Part Number	Part Code	Part Description	Quantity	Carton
1	S100-101-114-ZF1-01	Top Support Panel (Left)	1	3/3
2	S100-101-114-ZF1-02	Top Support Panel (Right)	1	3/3
3	S100-101-114-ZF1-03	Small Shelf Panel	2	2/3
4	S100-101-114-ZF1-04	Large Shelf Panel	1	3/3
5	S100-101-114-ZF1-05	Left Drawer Side	2	3/3
6	S100-101-114-ZF1-06	Right Drawer Side	2	3/3
7	S100-101-114-ZF1-07	Back Support Panel	2	1/3
8	S100-101-114-ZF1-08	Front Support Panel (Left)	1	1/3
9	S100-101-114-ZF1-09	Front Support Panel (Right)	1	1/3
10	S100-101-114-ZF1-10	Large Door	2	2/3
11	S100-101-114-ZF1-11	Small Door (Left)	1	2/3
12	S100-101-114-ZF1-12	Small Door (Right)	1	2/3
13	S100-101-114-ZF1-13	Drawer Front	2	3/3
14	S100-101-114-ZF1-14	Centre Shelf Panel	1	3/3
15	S100-101-114-ZF1-15	Bottom Panel (Left)	1	3/3
16	S100-101-114-ZF1-16	Bottom Panel (Right)	1	3/3
17	S100-101-114-ZF1-17	Bottom Support Panel (Left)	1	3/3
18	S100-101-114-ZF1-18	Bottom Support Panel (Right)	1	3/3
19	S100-101-114-ZF1-19	Drawer Back	2	3/3
20	S100-101-114-ZF1-20	Crossbar	2	1/3
21	S100-101-114-ZF1-21	Centre Support Panel	1	3/3
22	S100-101-114-ZF1-22	Large Support Panel	2	3/3
23	S100-101-114-ZF1-23	Small Support Panel	2	3/3
24	S100-101-114-ZF1-24	Drawer Support	2	3/3
25	S100-101-114-ZF1-25	Left Side Panel	1	1/3
26	S100-101-114-ZF1-26	Right Side Panel	1	1/3
27	S100-101-114-ZF1-27	Top Panel	1	1/3
28	S100-101-114-ZF1-28	Drawer Base	2	2/3
29	S100-101-114-ZF1-29	Large Back Panel	2	2/3
30	S100-101-114-ZF1-30	Small Back Panel	2	2/3

TIPS FOR FITTINGS CAM-LOCKS

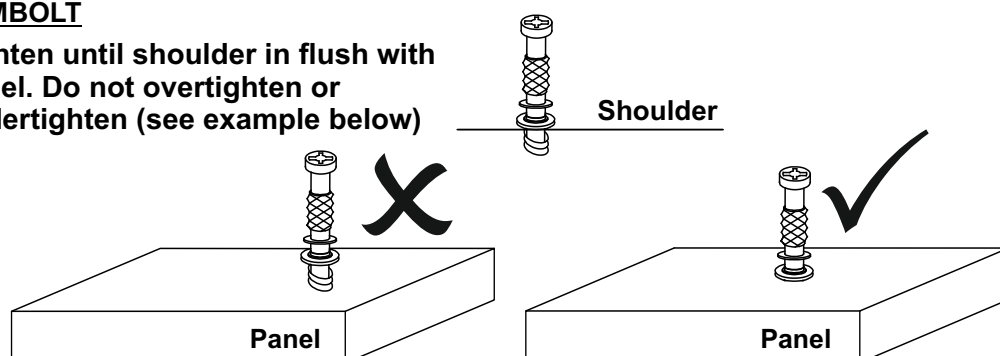


HARDWARE LIST

No.	Part Name		Qty
A	8x25mm Wooden Dowel		x70
B	4x65mm Screw	 4x65mm	x20
C	4x45mm Screw	 4x45mm	x10
D	4x38mm Screw	 4x38mm	x10
E	3.5x14mm Screw	 3.5x14mm	x88
F	H-Profile		x1
G	10" Handle (192mm)		x6
H	20mm Screw Handle		x12
I	14" Drawer Slide (0.9mm)		x2
J	PVC L-Bracket		x8
K	Plastic Foot		x8
L	Minifix Cam Bolt (8032t)		x22
M	Minifix Cam Nut (1512)		x22
N	6/8" Nail		x150
O	Screw Sticker (12mm)		x12
P	Hanging Rail (1432mm)		x1
Q	Hinges (M11)		x6
R	Centre Hinges (M11-07 (2/8))		x4
S	Wall Fixing (4x20mm=1pc)		x1
T	Minifix Sticker (Sticker 25mm)		x8

CAMBOLT

Tighten until shoulder in flush with panel. Do not overtighten or undertighten (see example below)


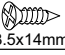




STEP 1

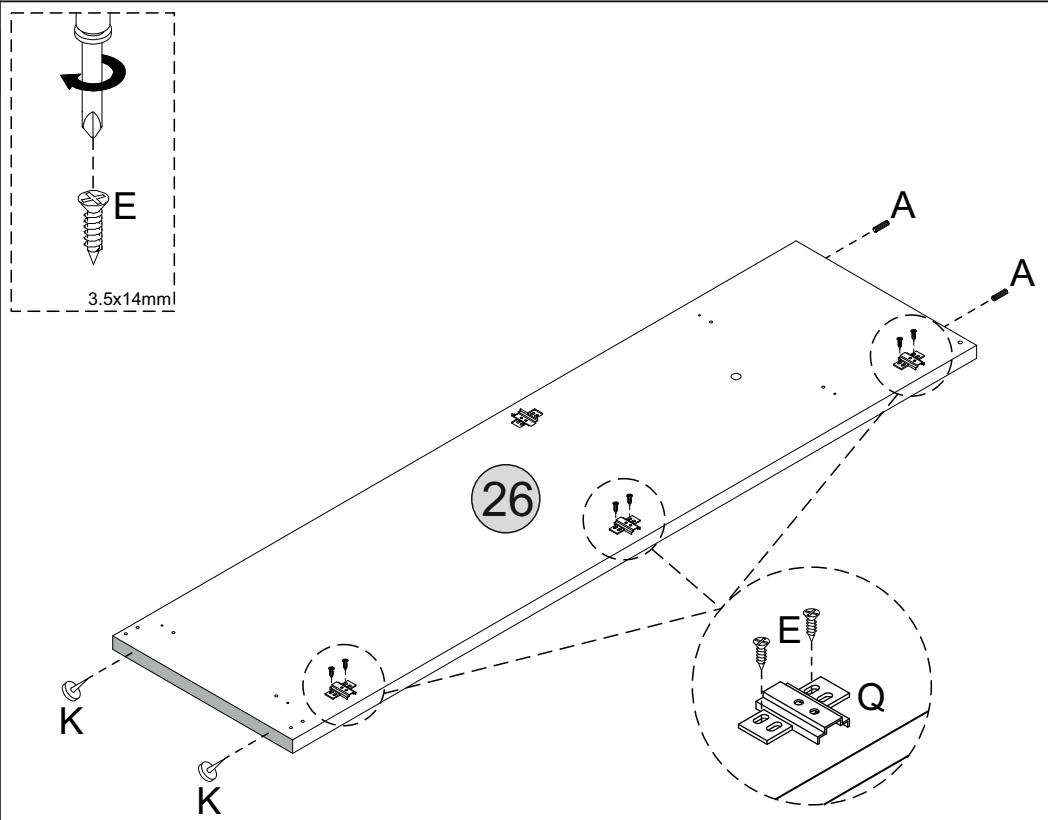
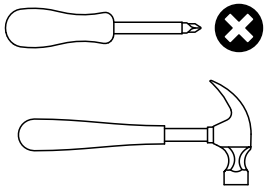
PARTS REQUIRED

26- RIGHT SIDE PANEL x1

HARDWARE REQUIRED

A		02
E		06
K		02
Q		03

TOOLS REQUIRED


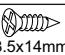




STEP 2

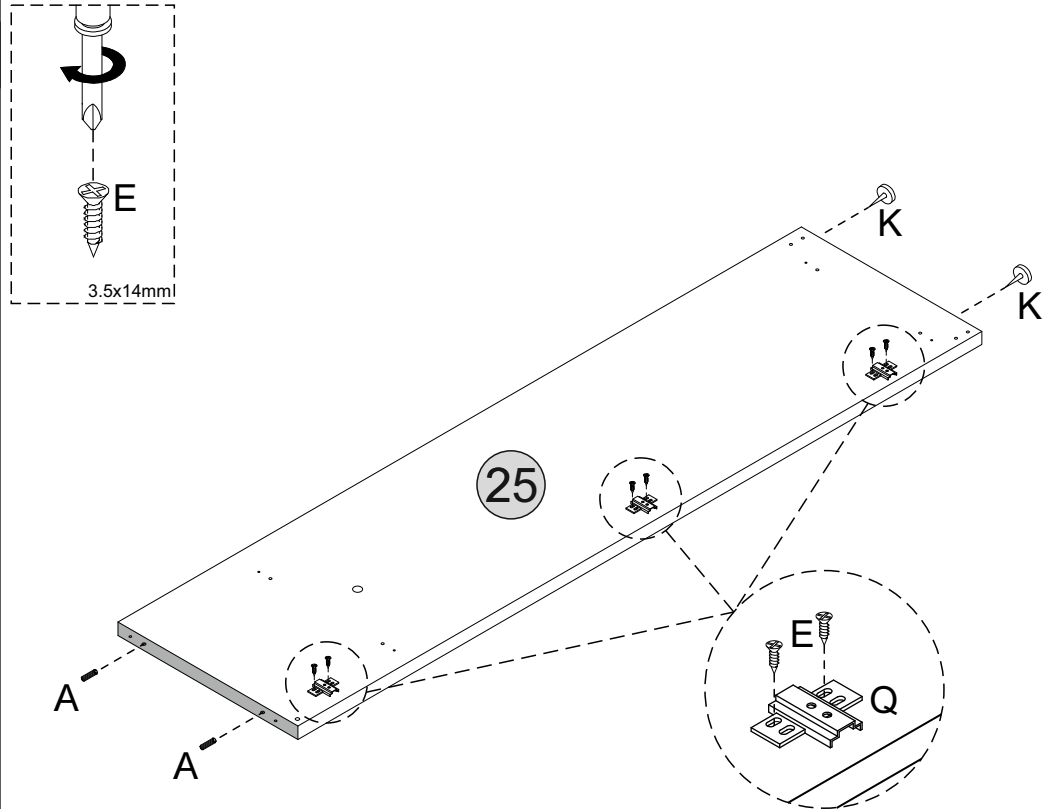
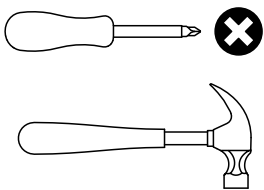
PARTS REQUIRED

25- LEFT SIDE PANEL x1

HARDWARE REQUIRED

A		02
E		06
K		02
Q		03

TOOLS REQUIRED




STEP 3

PARTS REQUIRED

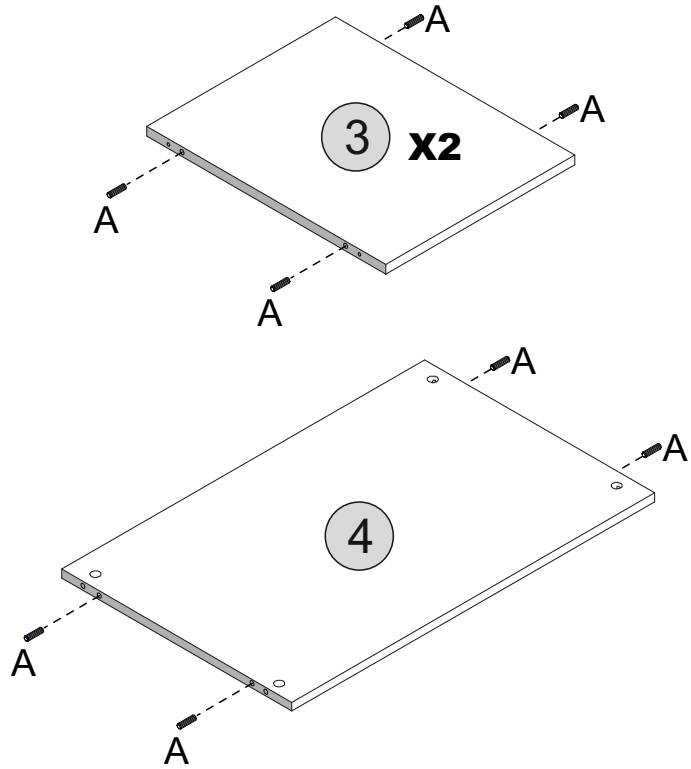
3 - SMALL SHELF PANEL x2

4 - LARGE SHELF PANEL x1

HARDWARE REQUIRED

A  12

TOOLS REQUIRED




STEP 4


PARTS REQUIRED

15- BOTTOM PANEL (L) x1

16- BOTTOM PANEL (R) x1

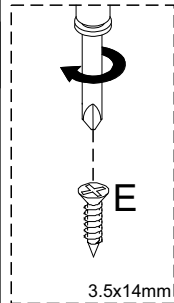
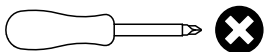
HARDWARE REQUIRED

A  08

E  08
3.5x14mm

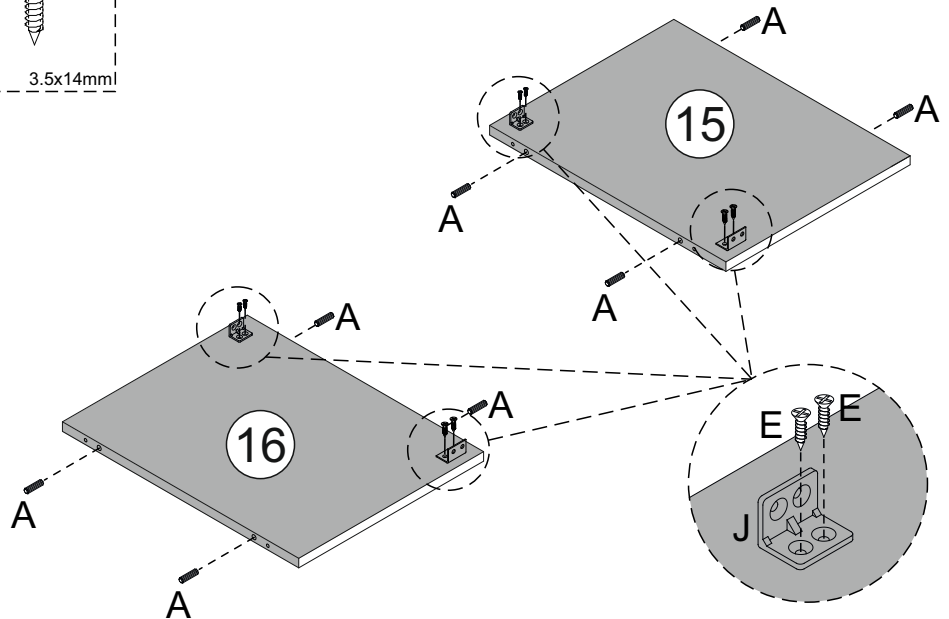
J  04

TOOLS REQUIRED



E

3.5x14mm



STEP 5

PARTS REQUIRED

21- CENTRE SUPPORT PANEL x1

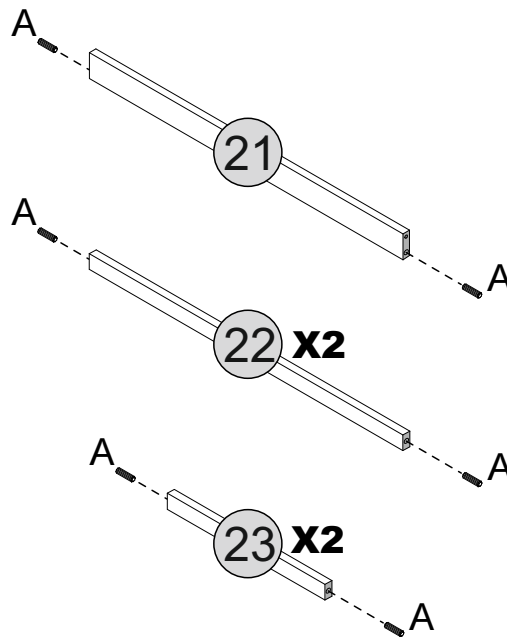
22-LARGE SUPPORT PANEL x2

23-SMALL SUPPORT PANEL x2

HARDWARE REQUIRED

A  10

TOOLS REQUIRED



STEP 6

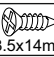
PARTS REQUIRED

20- CROSSBAR x2

27- TOP PANEL x1

HARDWARE REQUIRED

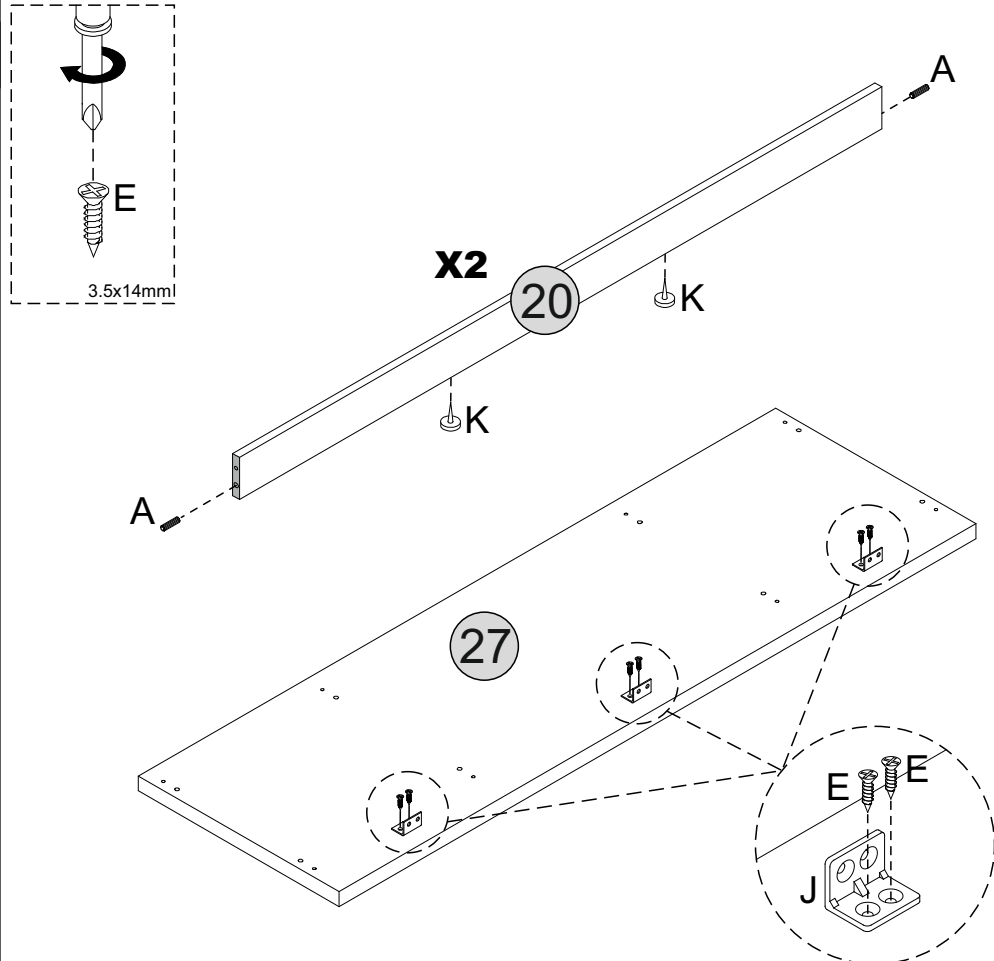
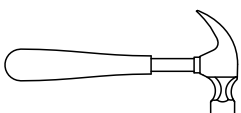
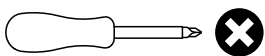
A  04

E  06
3.5x14mm

J  03

K  04

TOOLS REQUIRED



STEP 7

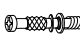
PARTS REQUIRED

14- CENTRE SHELF PANEL x1

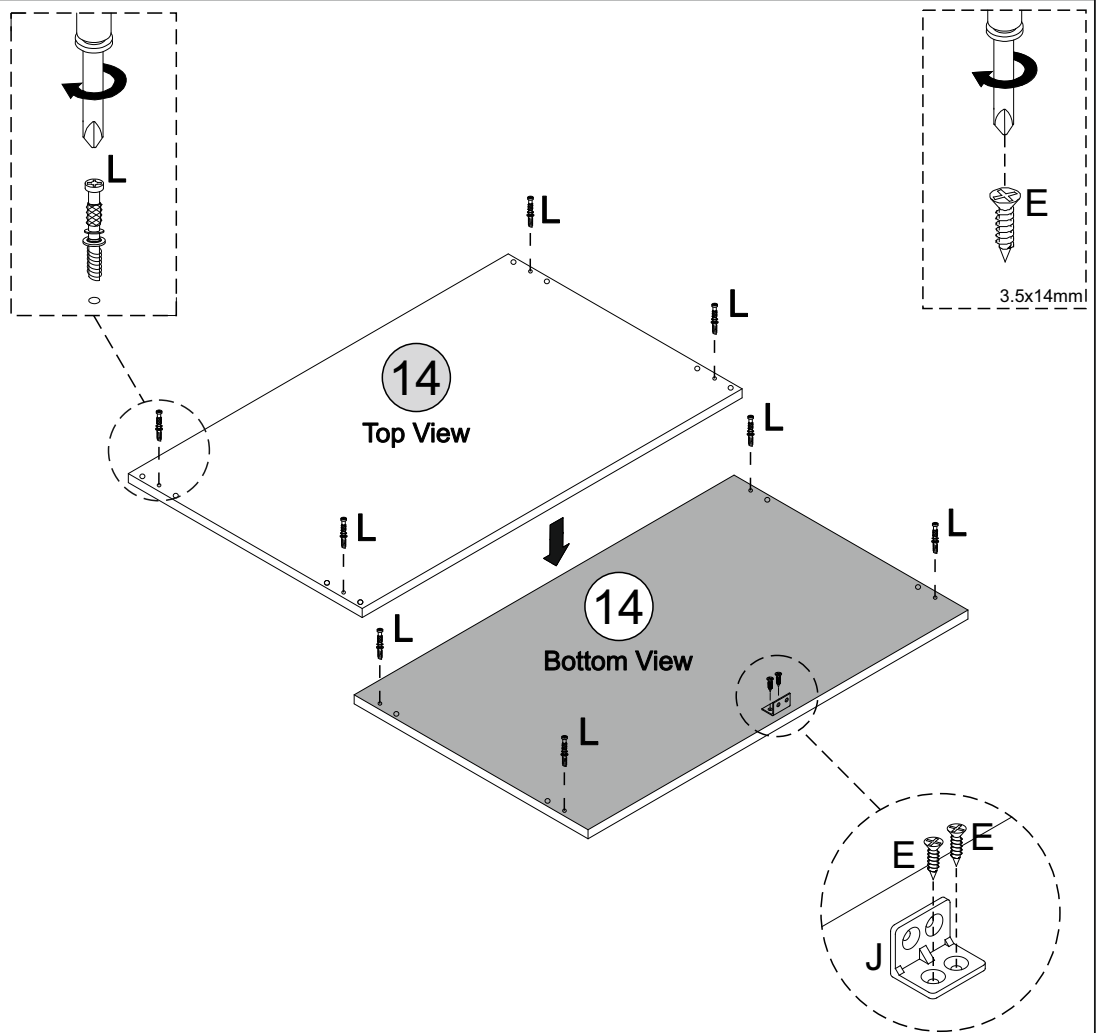
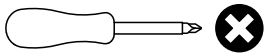
HARDWARE REQUIRED

E  02
3.5x14mm

J  01

L  08

TOOLS REQUIRED



STEP 8

PARTS REQUIRED


17- BOTTOM SUPPORT PANEL (L) x1

18- BOTTOM SUPPORT PANEL (R) x1

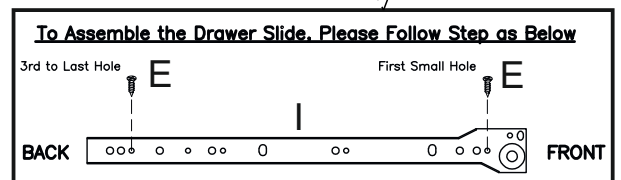
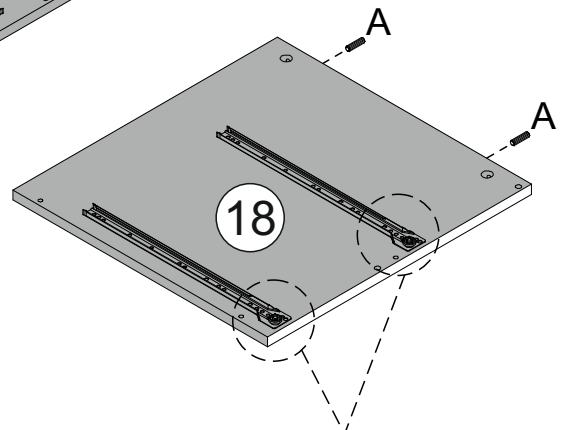
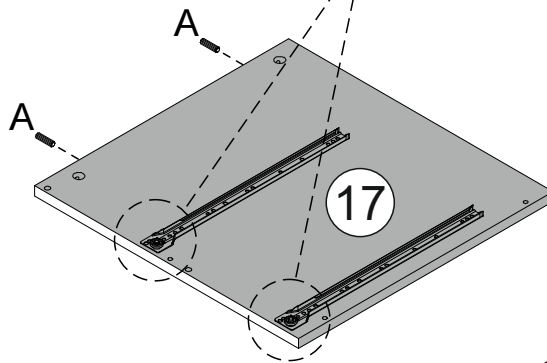
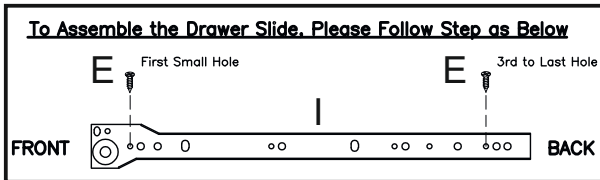
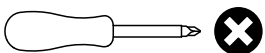
HARDWARE REQUIRED

A  04

E  08
3.5x14mm

I  02

TOOLS REQUIRED



STEP 9

PARTS REQUIRED

1 - TOP SUPPORT PANEL (L) x1

2 - TOP SUPPORT PANEL (R) x1

HARDWARE REQUIRED

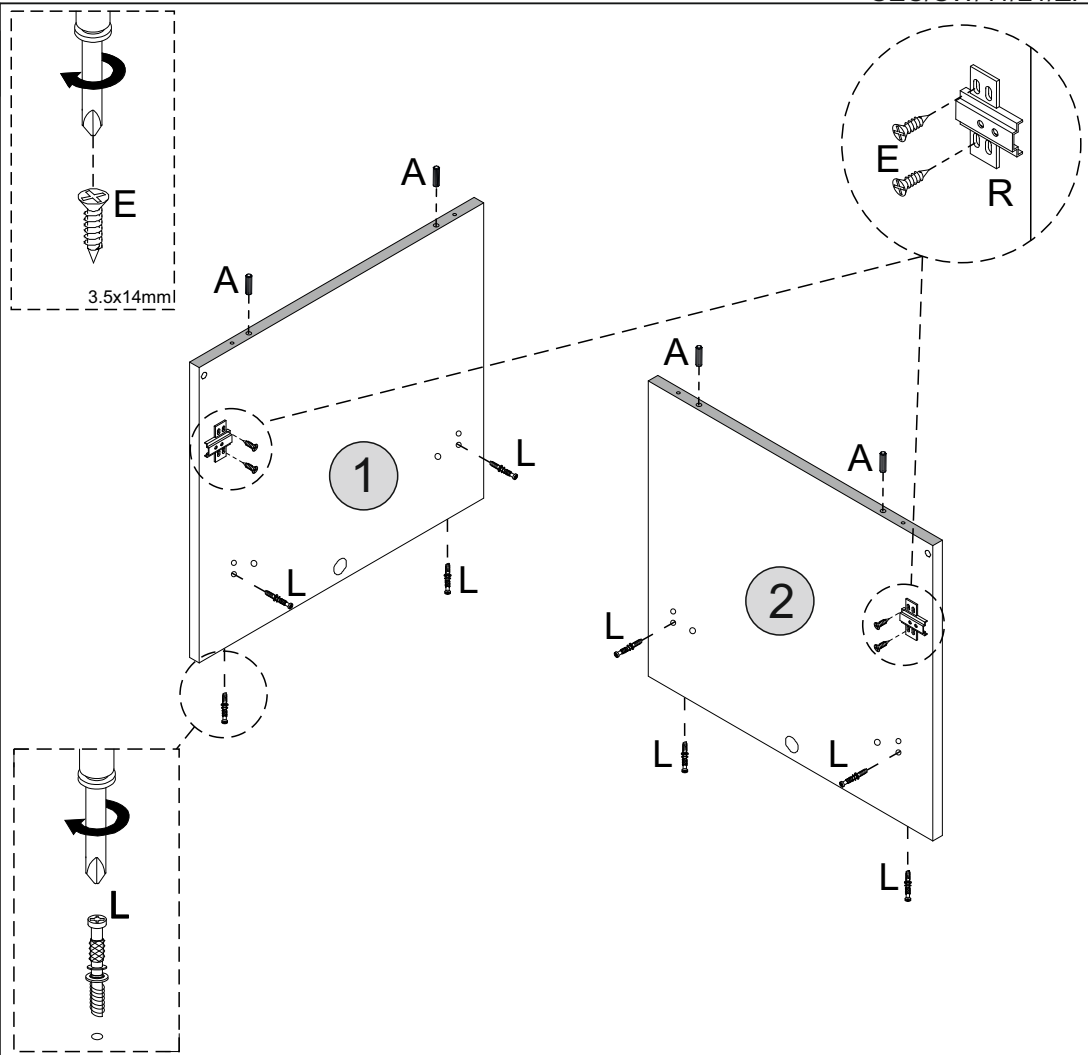
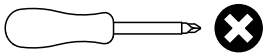
A  04

E  04
3.5x14mm

L  08

R  02

TOOLS REQUIRED



STEP 10


PARTS REQUIRED

7- BACK SUPPORT PANEL x2

8- FRONT SUPPORT PANEL (L) x1

9- FRONT SUPPORT PANEL (R) x1

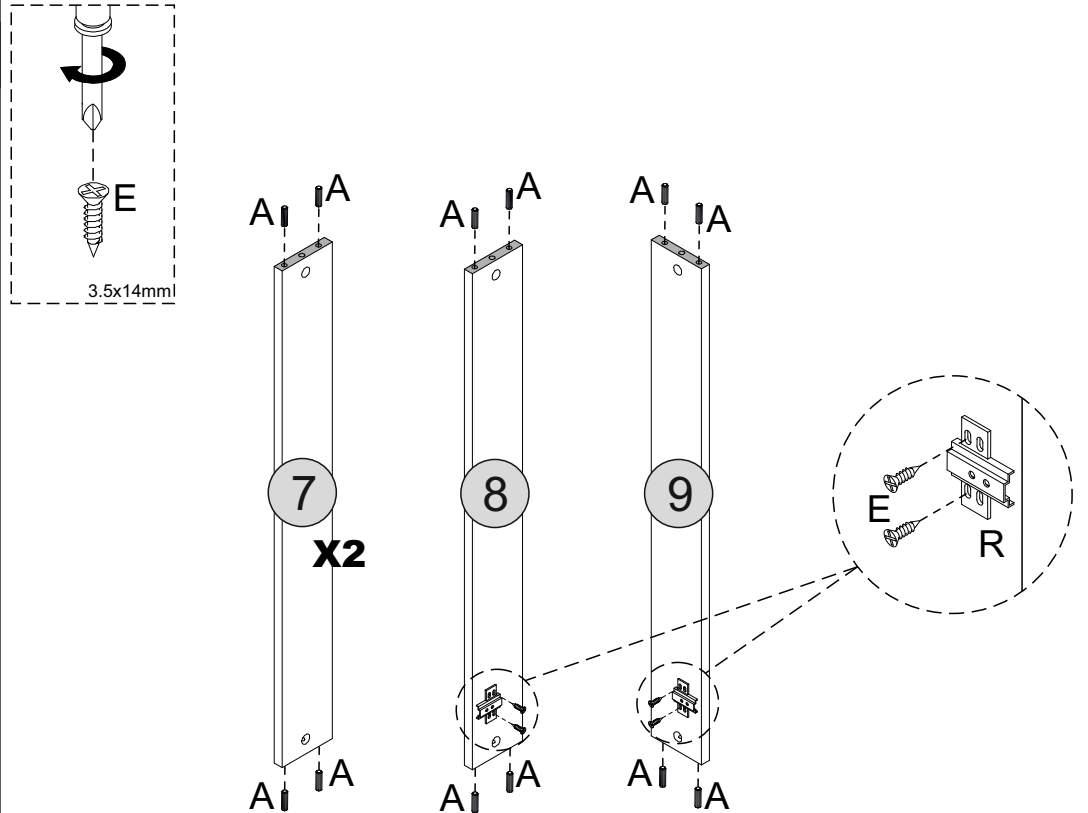
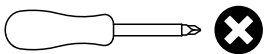
HARDWARE REQUIRED

A  16

E  04
3.5x14mm

R  02

TOOLS REQUIRED



STEP 11

PARTS REQUIRED


17- BOTTOM SUPPORT PANEL (L) x1

18- BOTTOM SUPPORT PANEL (R) x1

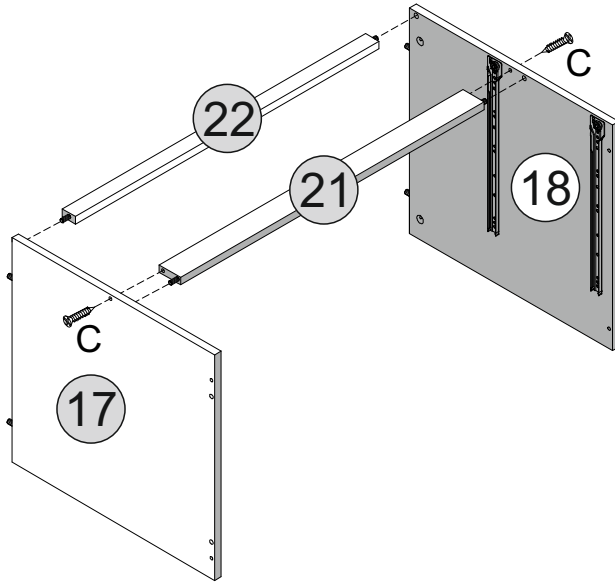
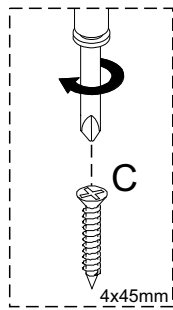
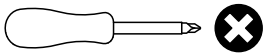
21- CENTRE SUPPORT PANEL x1

22- LARGE SUPPORT PANEL x1

HARDWARE REQUIRED

C  02

TOOLS REQUIRED

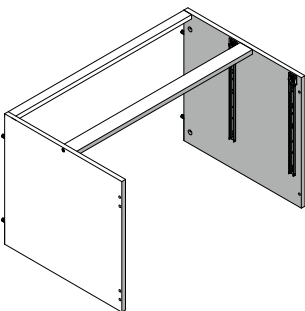


STEP 12

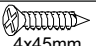
PARTS REQUIRED

15- BOTTOM PANEL (L) x1

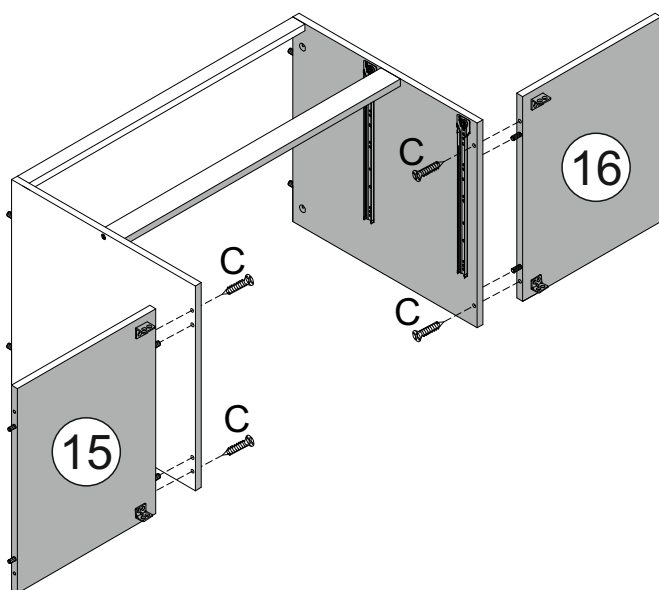
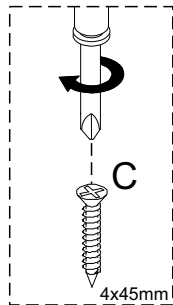
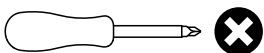
16- BOTTOM PANEL (R) x1



HARDWARE REQUIRED

C  04

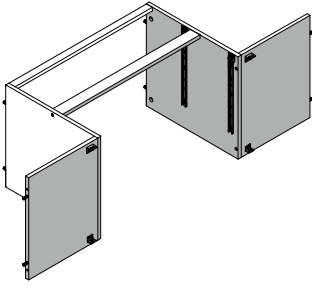
TOOLS REQUIRED



STEP 13

PARTS REQUIRED

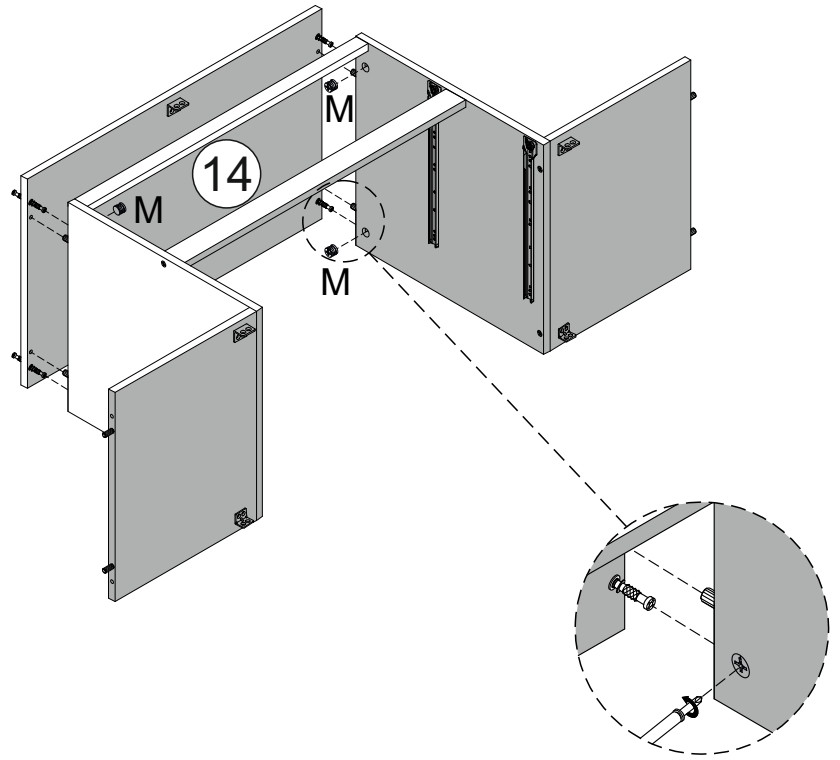
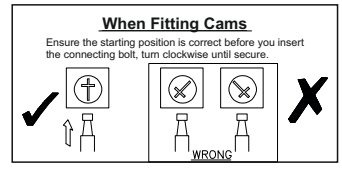
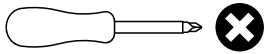
14- CENTRE SHELF PANEL x1



HARDWARE REQUIRED

M  04

TOOLS REQUIRED



STEP 14

PARTS REQUIRED

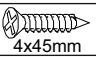
1- TOP SUPPORT PANEL (L) x1

3- SMALL SHELF PANEL x1

7- BACK SUPPORT PANEL x1

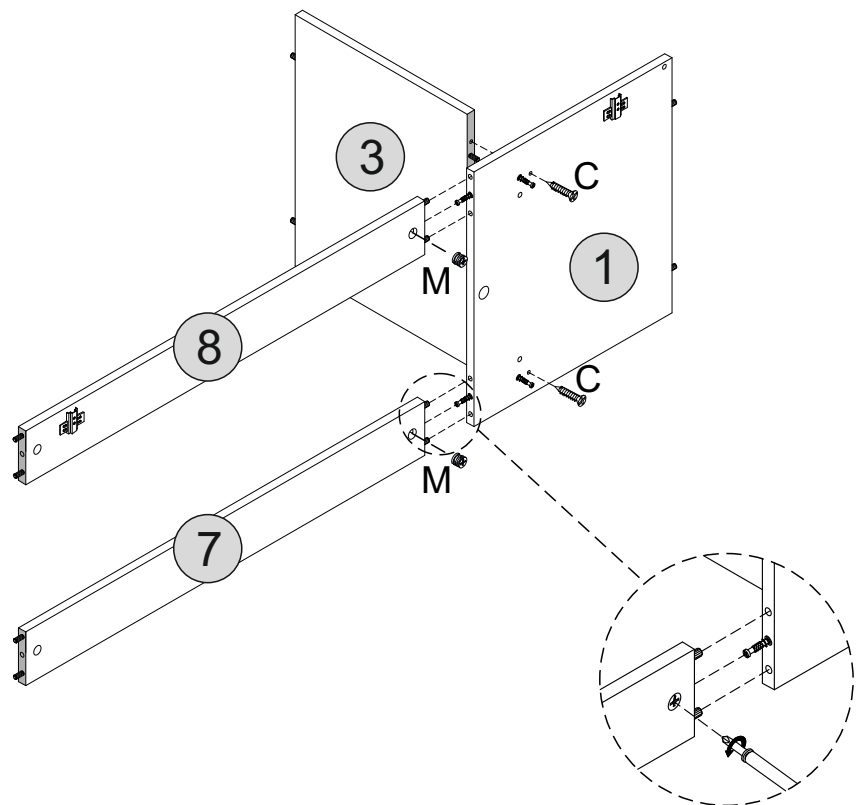
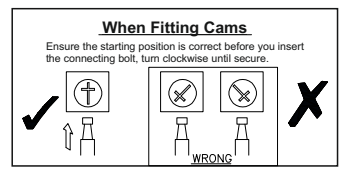
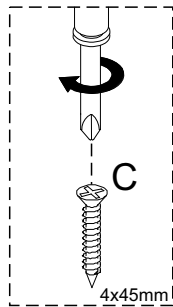
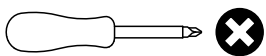
8- FRONT SUPPORT PANEL (L) x1

HARDWARE REQUIRED

C  4x45mm 02

M  02

TOOLS REQUIRED



STEP 15

PARTS REQUIRED

2- TOP SUPPORT PANEL (R) x1


3- SMALL SHELF PANEL x1

7- BACK SUPPORT PANEL x1

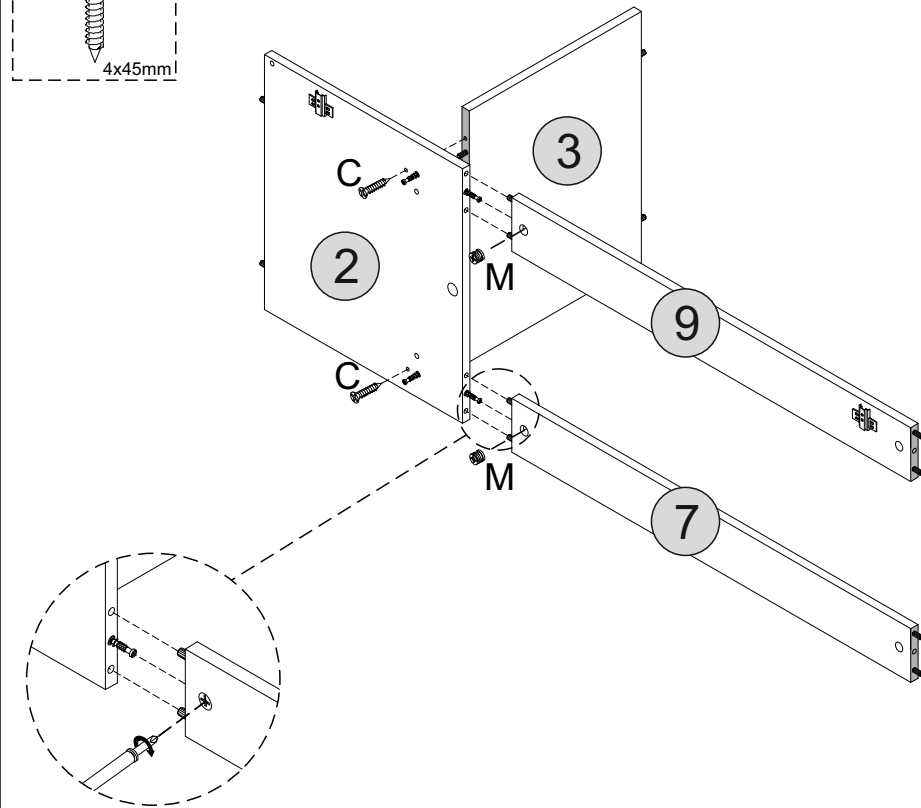
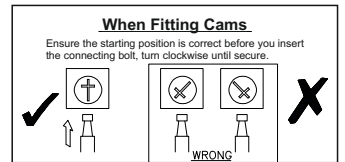
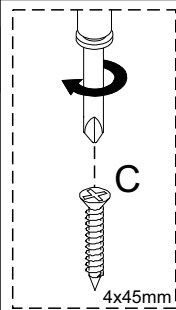
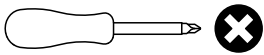
9- FRONT SUPPORT PANEL (R) x1

HARDWARE REQUIRED

C  02
4x45mm

M  02

TOOLS REQUIRED

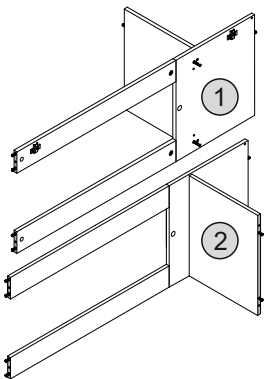


STEP 16

PARTS REQUIRED

4 - LARGE SHELF PANEL x1

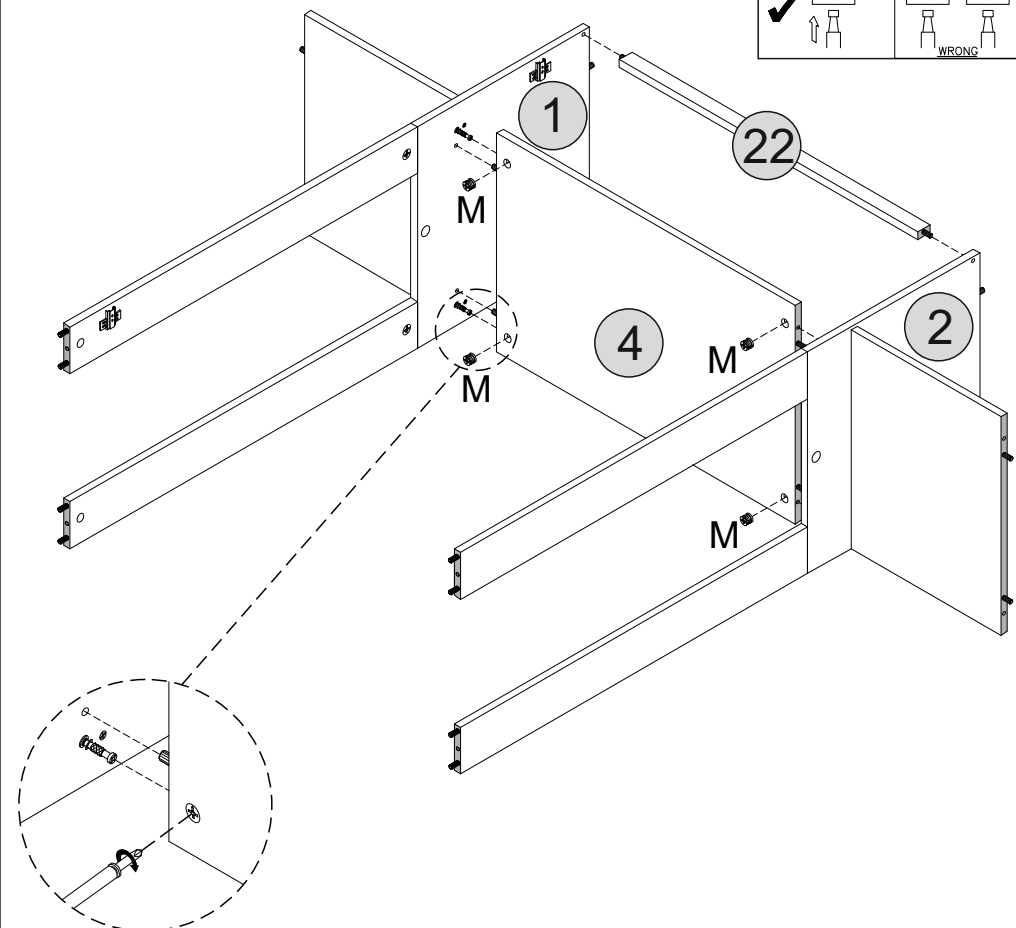
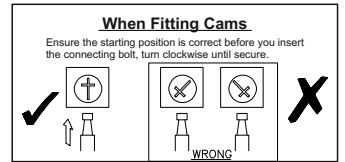
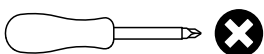
22- LARGE SUPPORT PANEL x1



HARDWARE REQUIRED

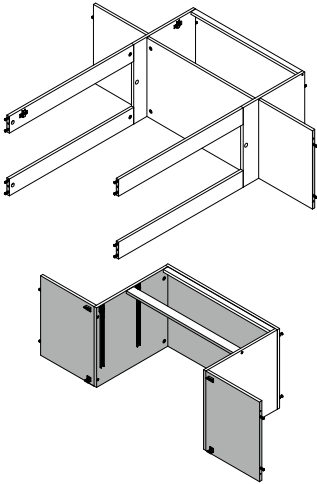
M  04

TOOLS REQUIRED





STEP 17

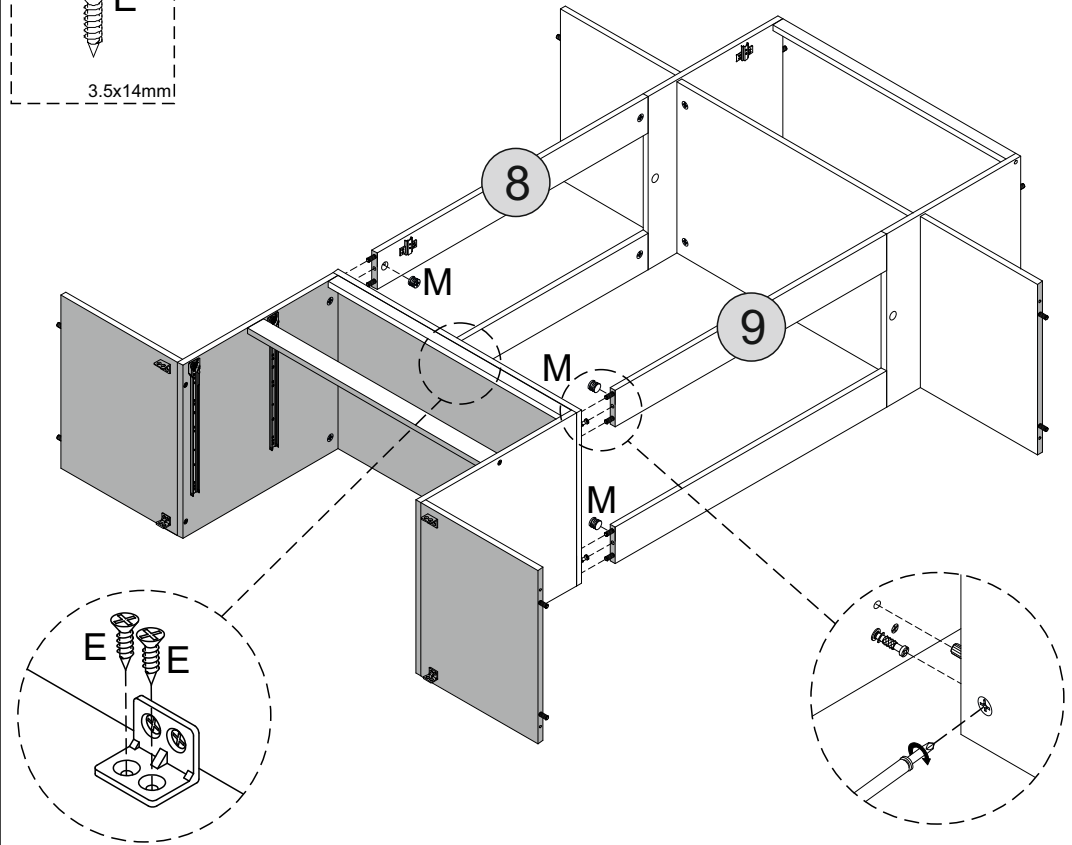
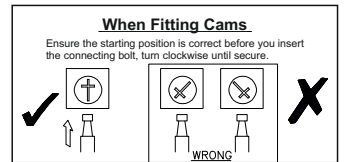
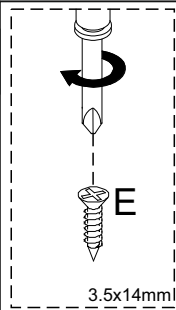
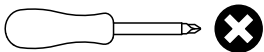
PARTS REQUIRED



HARDWARE REQUIRED

E		02
M		04

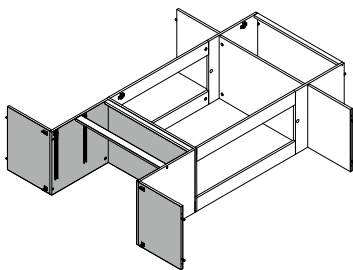
TOOLS REQUIRED



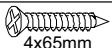
STEP 18

PARTS REQUIRED

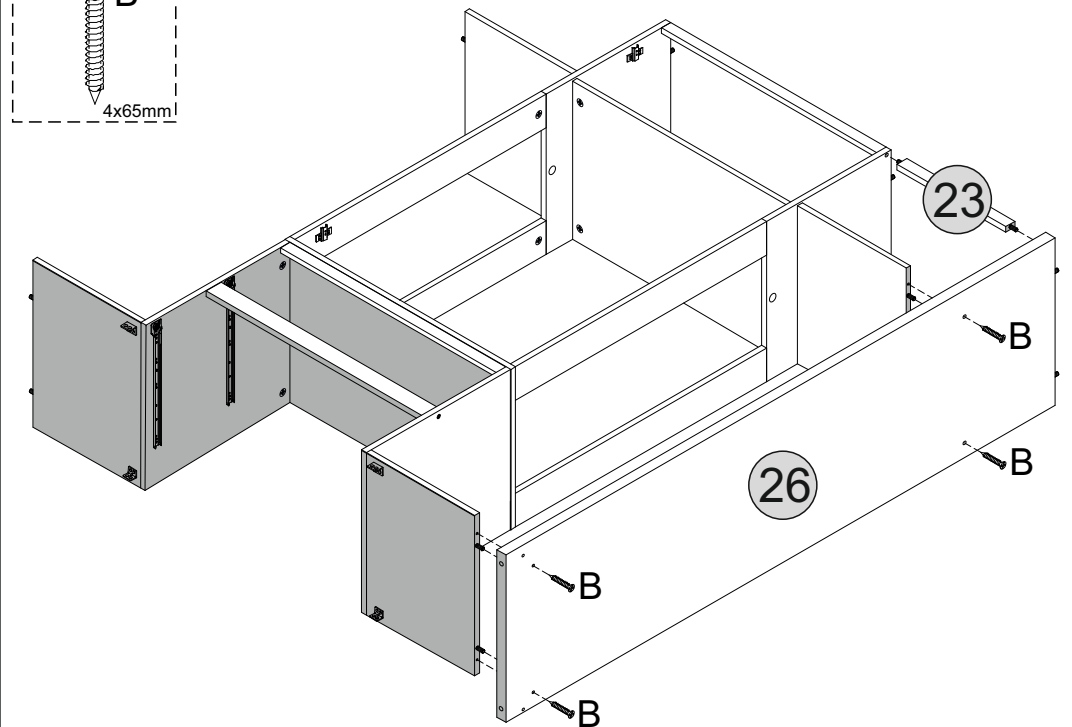
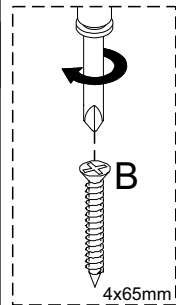
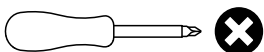
23- SMALL SUPPORT PANEL	x1
26- RIGHT SIDE PANEL	x1



HARDWARE REQUIRED

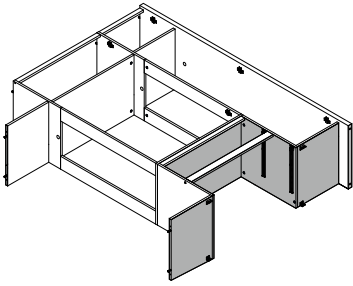
B		04
---	---	----

TOOLS REQUIRED



STEP 19

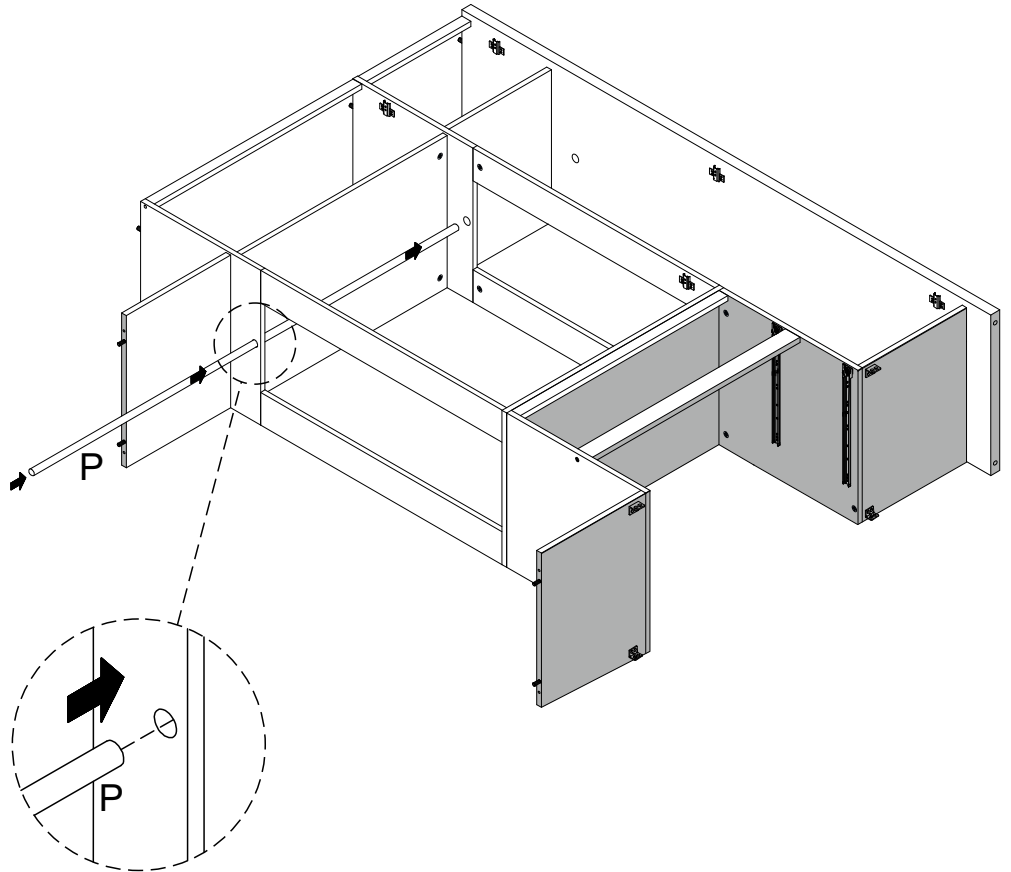
PARTS REQUIRED



HARDWARE REQUIRED



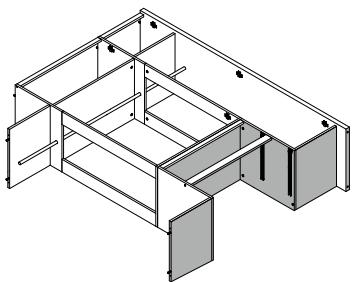
TOOLS REQUIRED



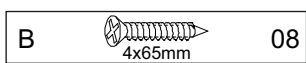
STEP 20

PARTS REQUIRED

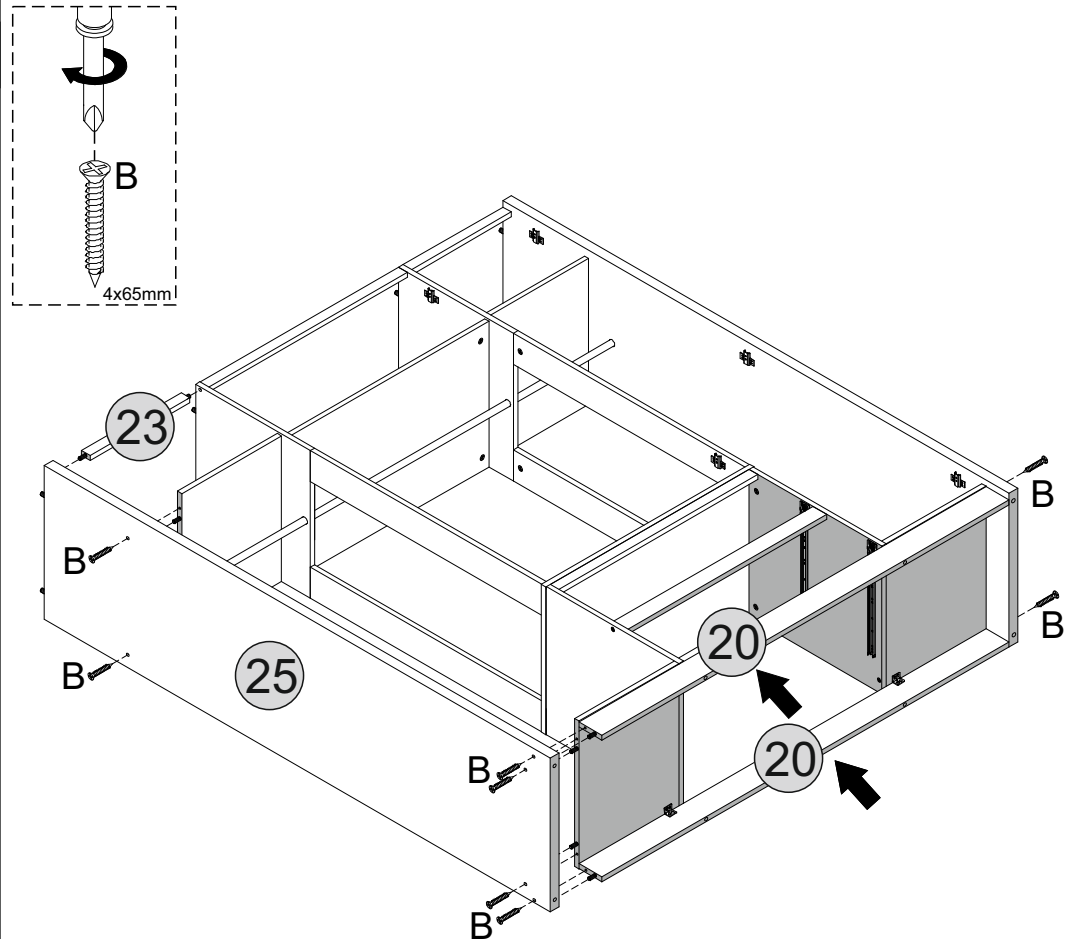
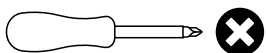
- 20- CROSSBAR x2
- 23- SMALL SUPPORT PANEL x1
- 25- LEFT SIDE PANEL x1



HARDWARE REQUIRED

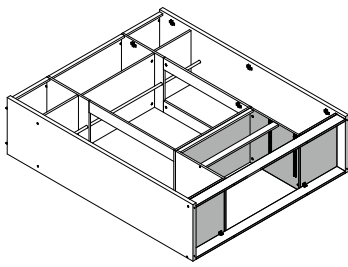


TOOLS REQUIRED

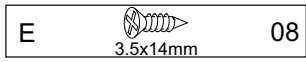


STEP 21

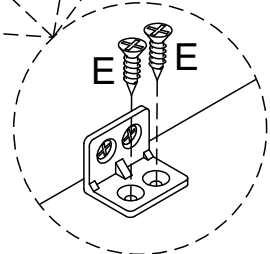
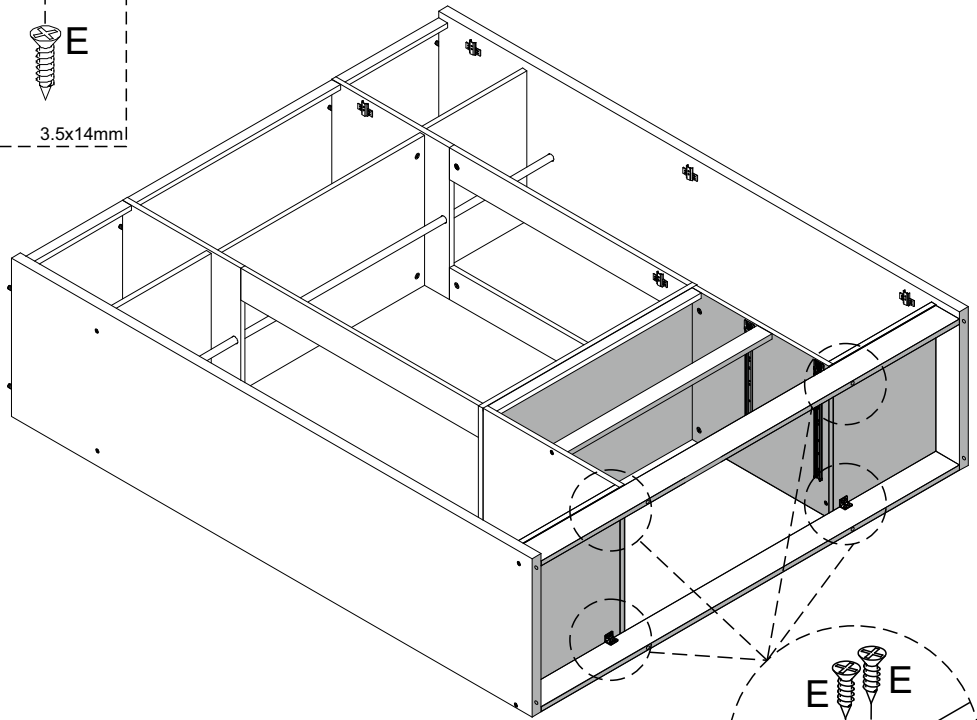
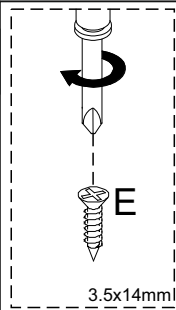
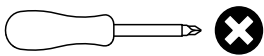
PARTS REQUIRED



HARDWARE REQUIRED

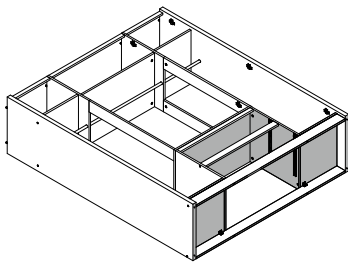


TOOLS REQUIRED

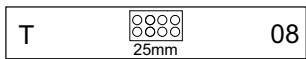
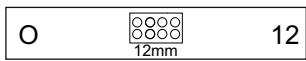


STEP 22

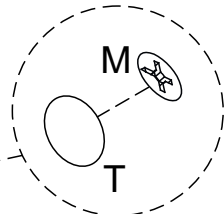
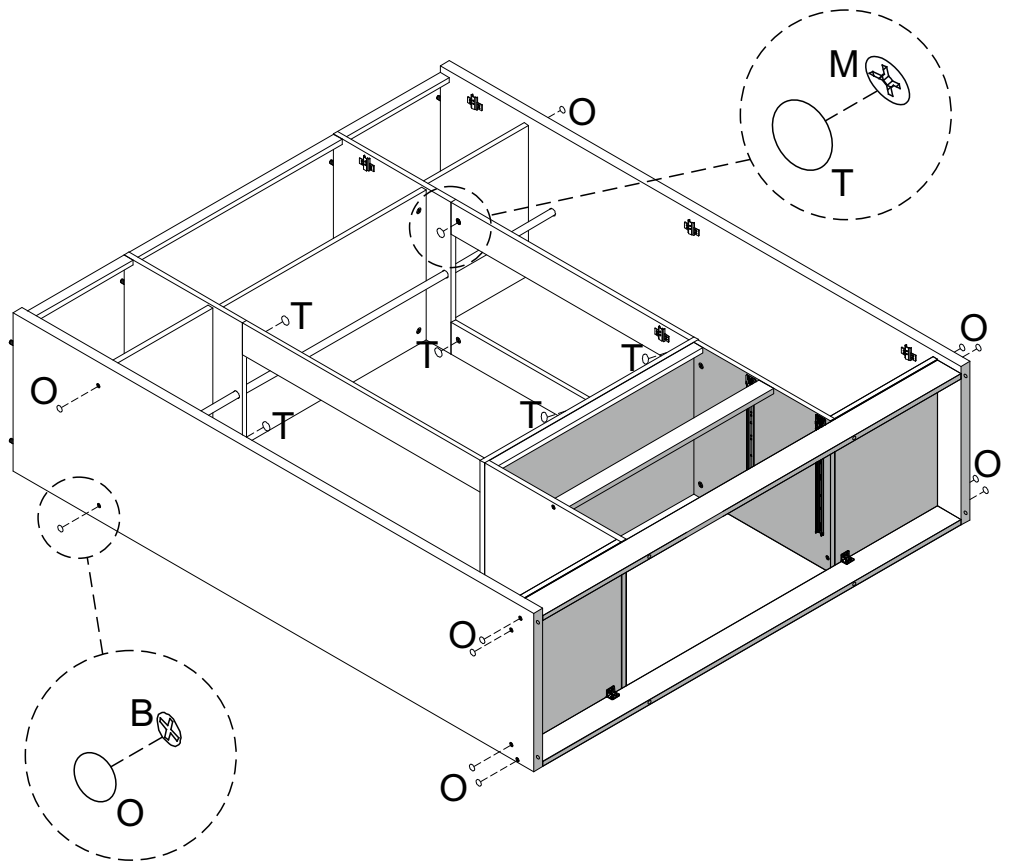
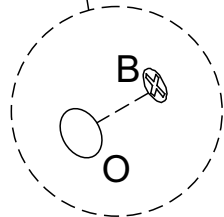
PARTS REQUIRED



HARDWARE REQUIRED



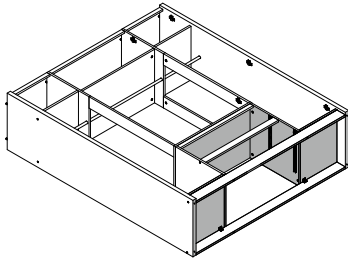
TOOLS REQUIRED




STEP 23


PARTS REQUIRED

27- TOP PANEL x1

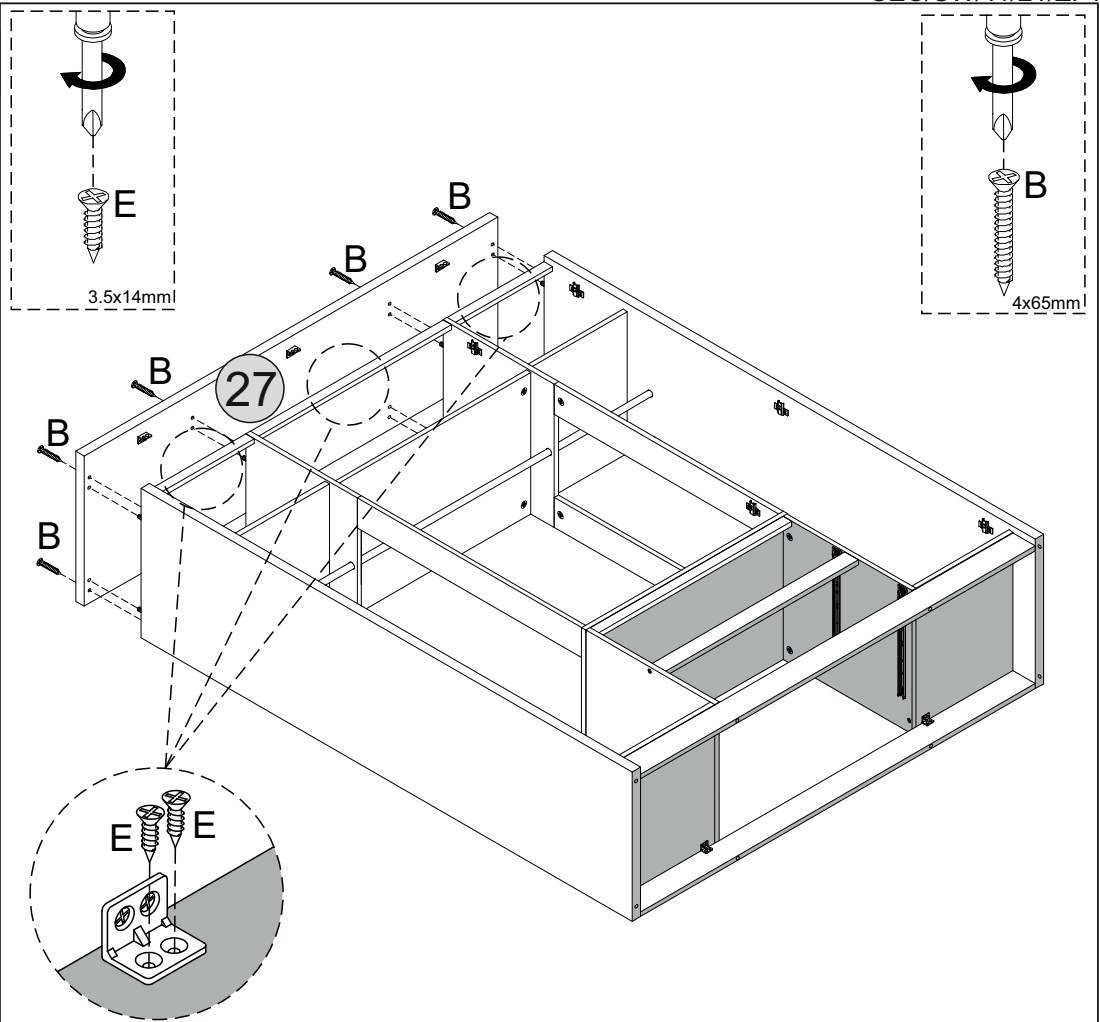
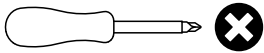


HARDWARE REQUIRED

B  08

E  06

TOOLS REQUIRED

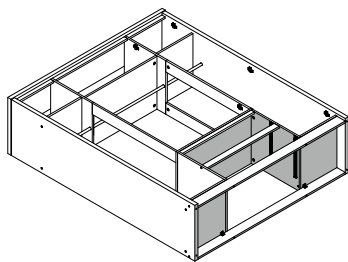


STEP 24

PARTS REQUIRED

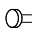
29- LARGE BACK PANEL x2

30- SMALL BACK PANEL x2

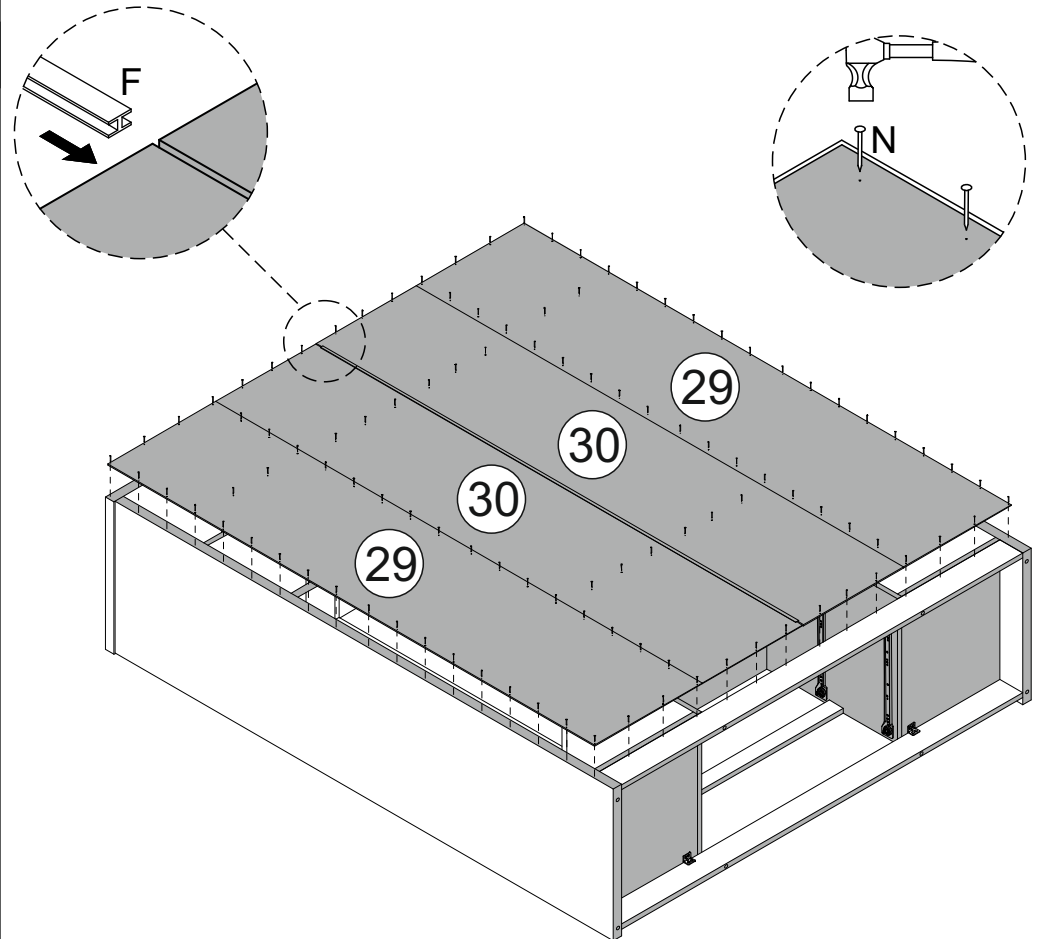
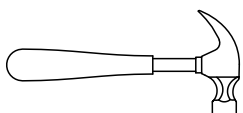


HARDWARE REQUIRED

F  01

N  150

TOOLS REQUIRED






STEP 25

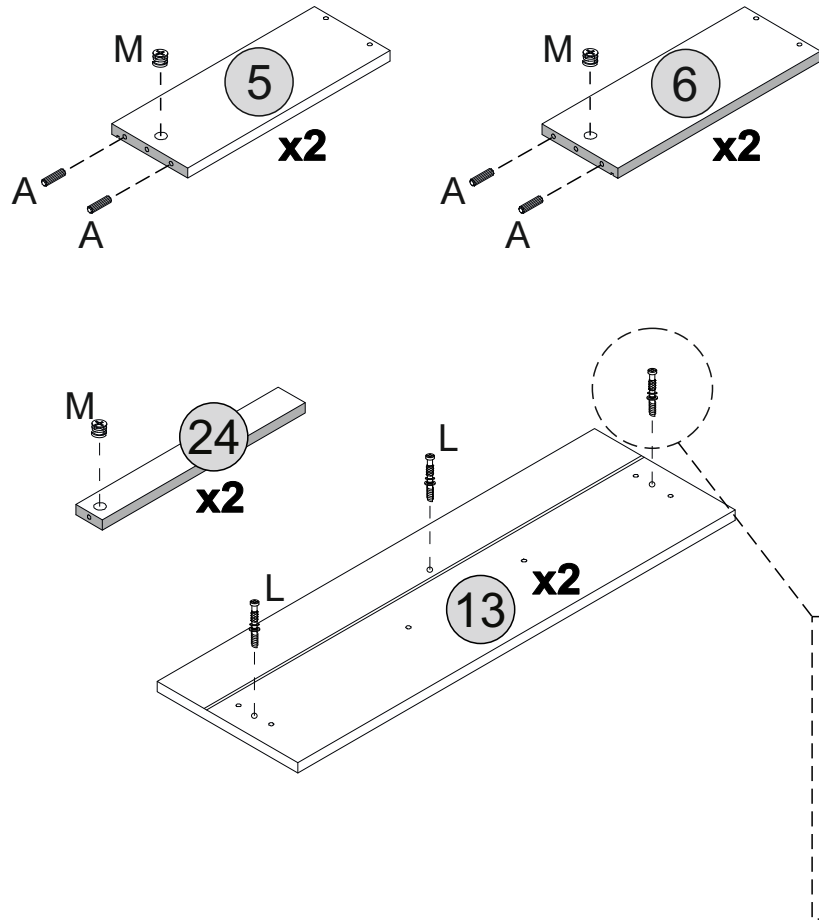
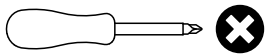
PARTS REQUIRED

5 - LEFT DRAWER SIDE	x2
6 - RIGHT DRAWER SIDE	x2
13- DRAWER FRONT	x2
24- DRAWER SUPPORT	x2

HARDWARE REQUIRED

A		08
L		06
M		06

TOOLS REQUIRED



STEP 26

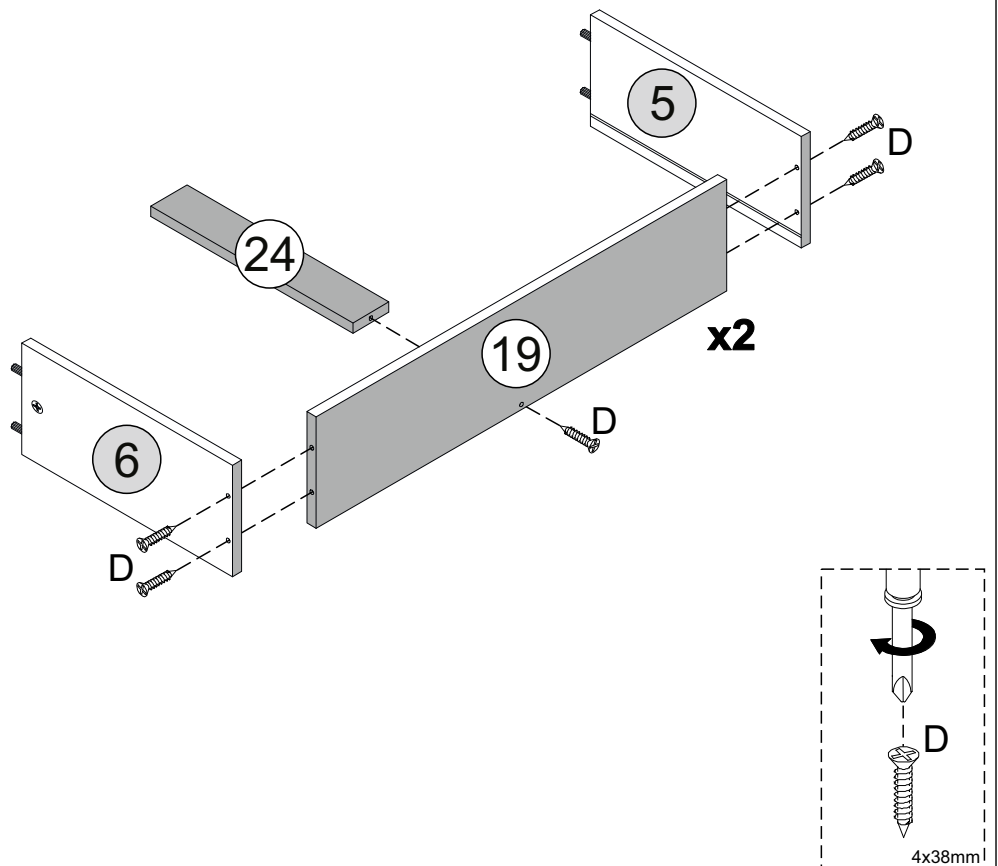
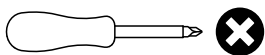
PARTS REQUIRED

5 - LEFT DRAWER SIDE	x2
6 - RIGHT DRAWER SIDE	x2
19- DRAWER BACK	x2
24- DRAWER SUPPORT	x2

HARDWARE REQUIRED

D		10 4x38mm
---	---	--------------

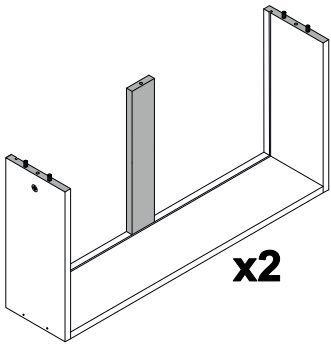
TOOLS REQUIRED



STEP 27

PARTS REQUIRED

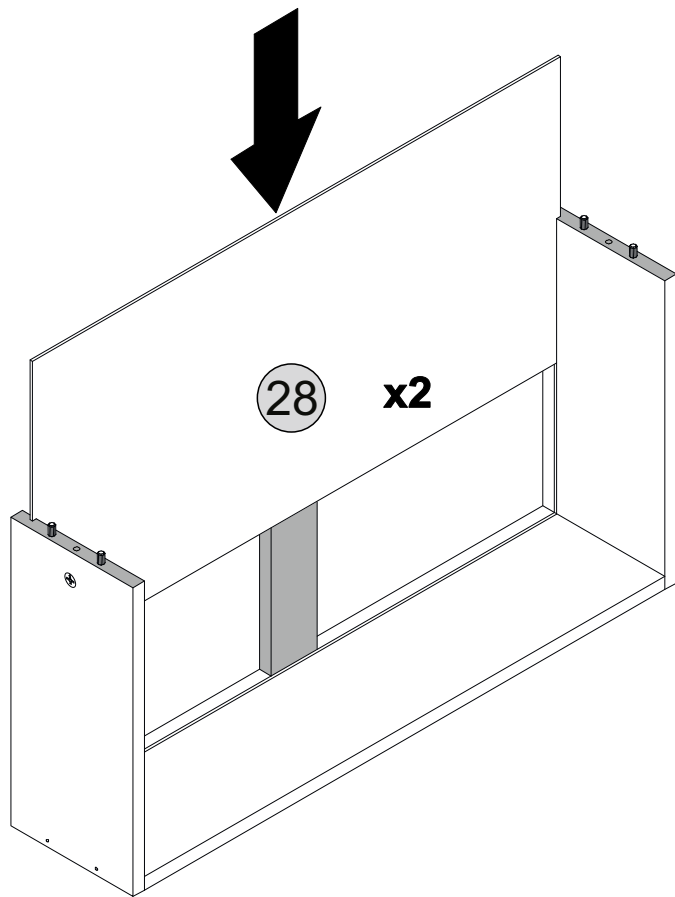
28- DRAWER BASE x2



x2

HARDWARE REQUIRED

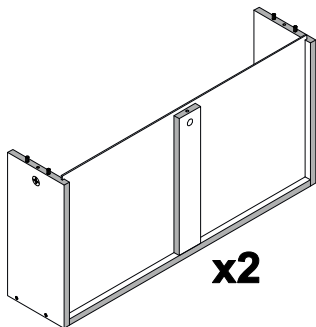
TOOLS REQUIRED



STEP 28

PARTS REQUIRED

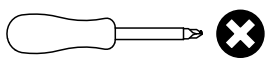
13- DRAWER FRONT x2



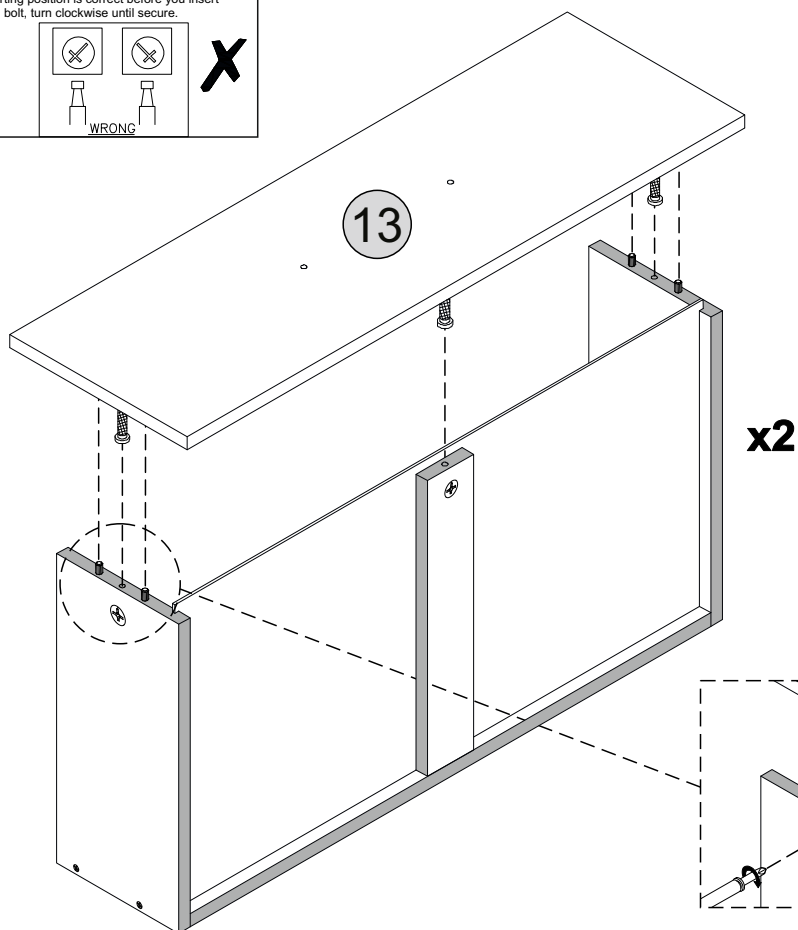
x2

HARDWARE REQUIRED

TOOLS REQUIRED

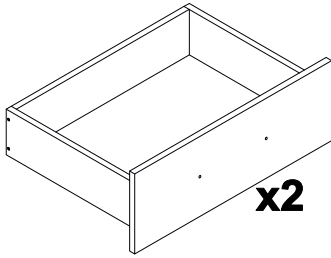


When Fitting Cams
 Ensure the starting position is correct before you insert the connecting bolt, turn clockwise until secure.

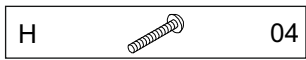
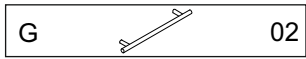


STEP 29

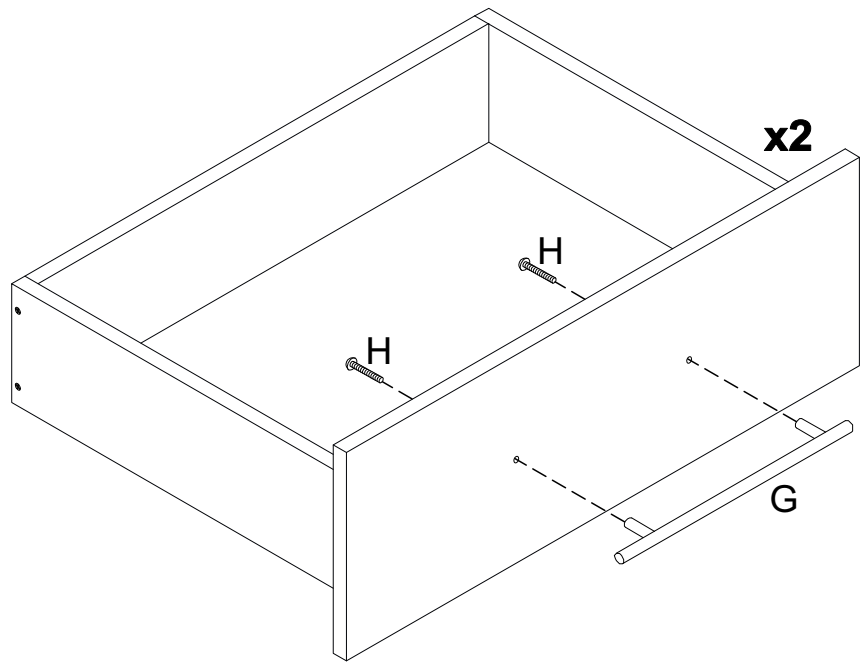
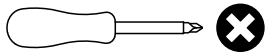
PARTS REQUIRED



HARDWARE REQUIRED

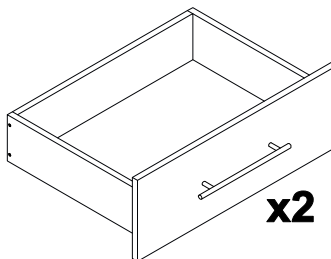


TOOLS REQUIRED

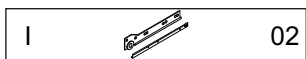
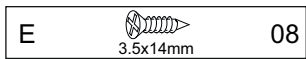


STEP 30

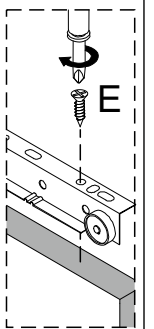
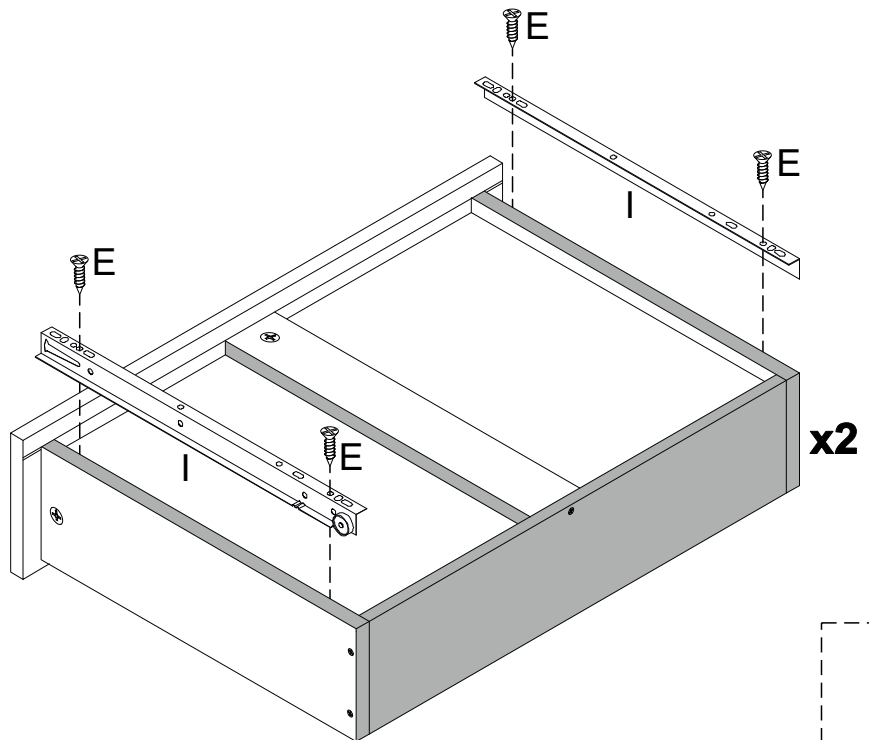
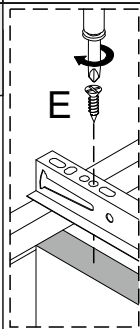
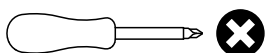
PARTS REQUIRED



HARDWARE REQUIRED

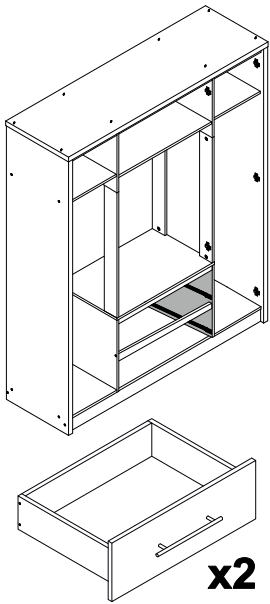


TOOLS REQUIRED



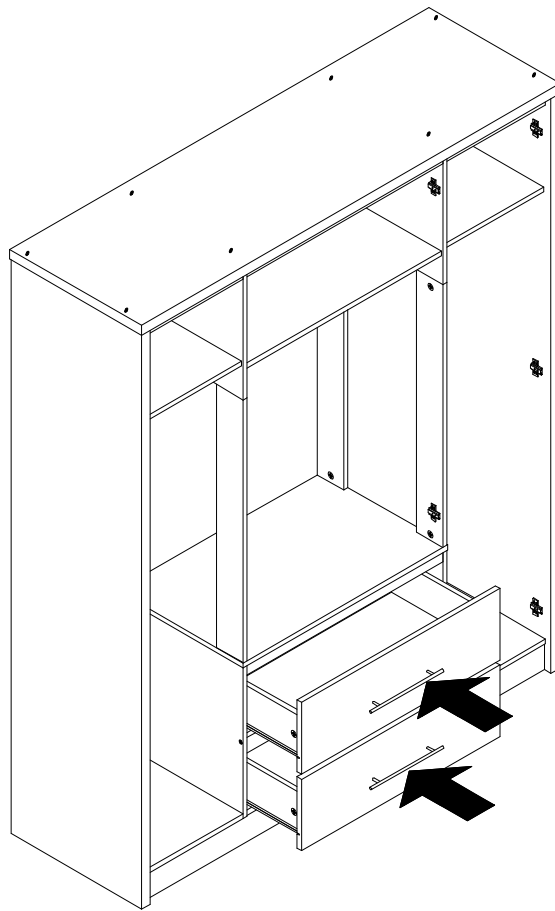
STEP 31

PARTS REQUIRED



HARDWARE REQUIRED

TOOLS REQUIRED


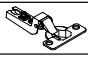



STEP 32

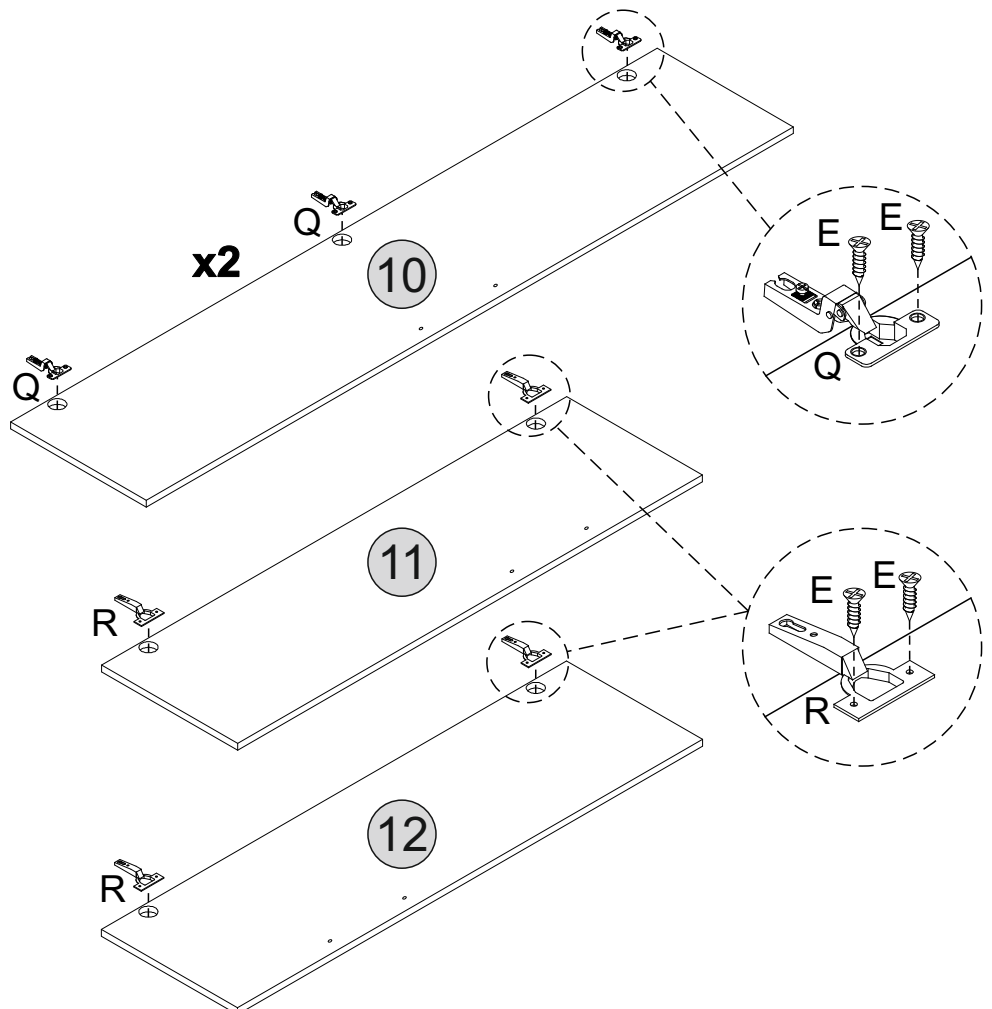
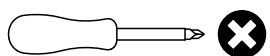
PARTS REQUIRED

10- LARGE DOOR	x2
11- SMALL DOOR (L)	x1
12- SMALL DOOR (R)	x1

HARDWARE REQUIRED

E		20
Q		06
R		04

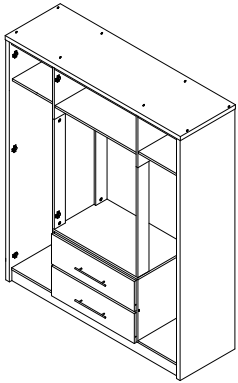
TOOLS REQUIRED





STEP 33

PARTS REQUIRED

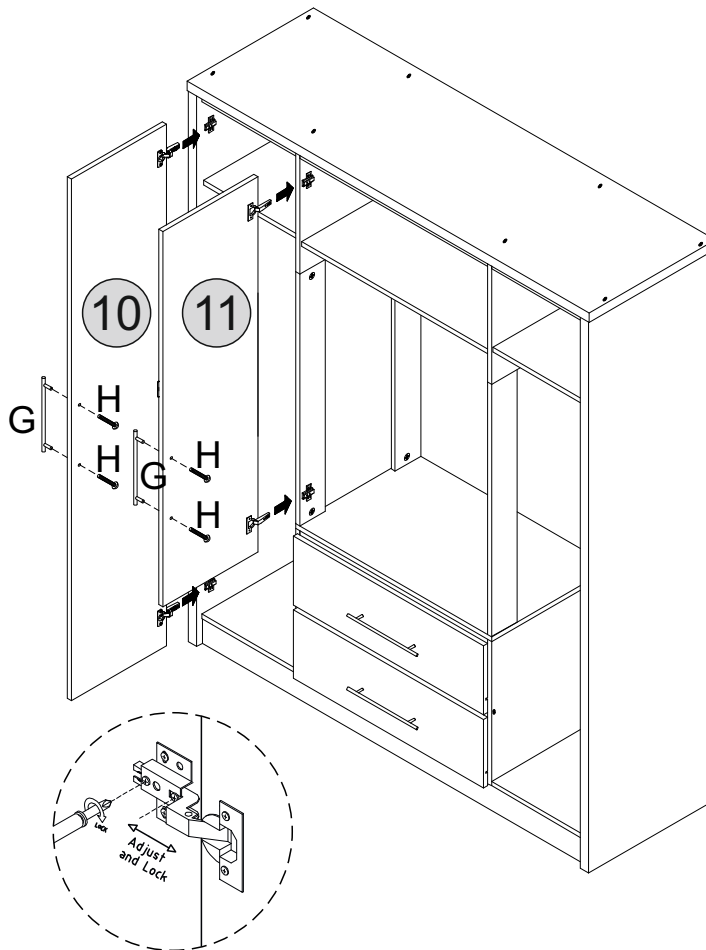
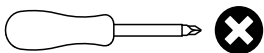
- 10- LARGE DOOR x1
- 11- SMALL DOOR (L) x1



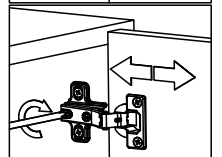
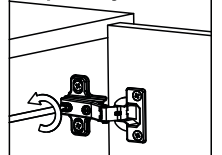
HARDWARE REQUIRED

- G  02
- H  04

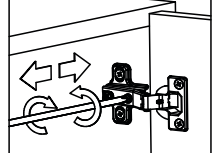
TOOLS REQUIRED



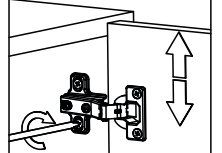
Depth Adjustment



Internal Adjustment



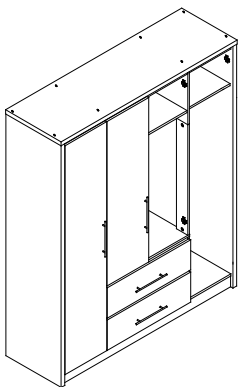
Height Adjustment



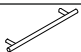

STEP 34

PARTS REQUIRED

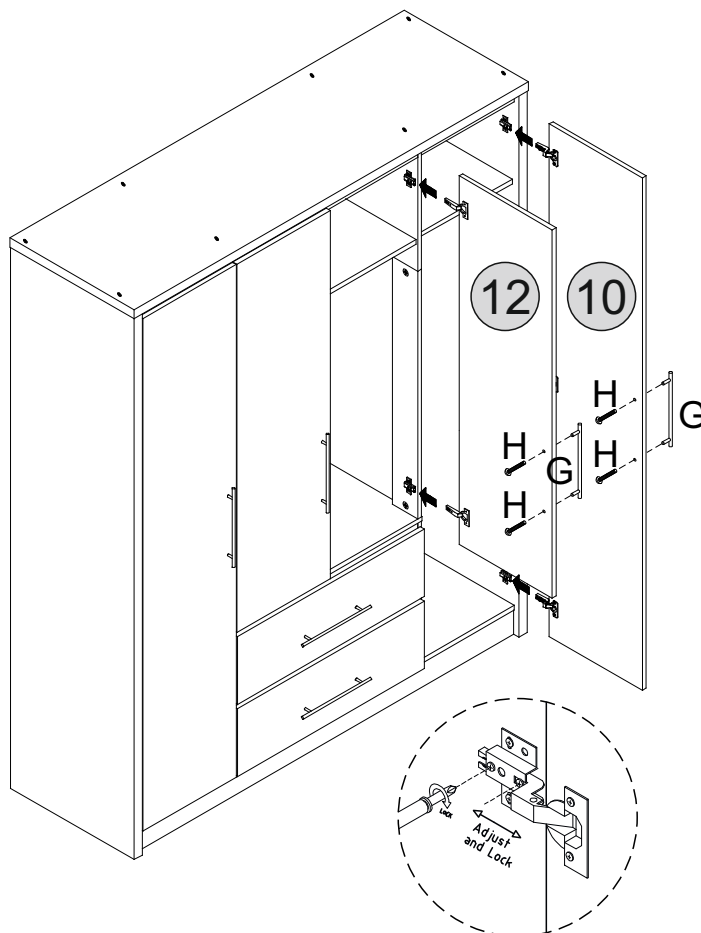
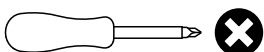
- 10- LARGE DOOR x1
- 12- SMALL DOOR (R) x1



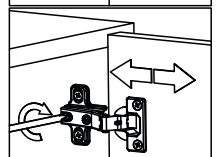
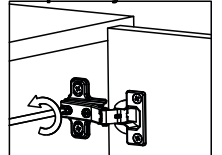
HARDWARE REQUIRED

- G  02
- H  04

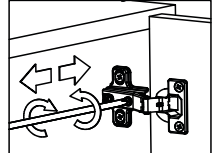
TOOLS REQUIRED



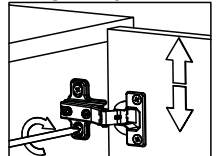
Depth Adjustment



Internal Adjustment

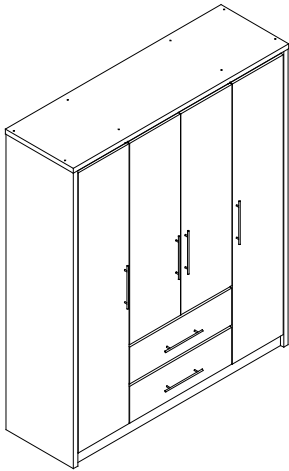


Height Adjustment



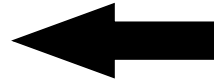
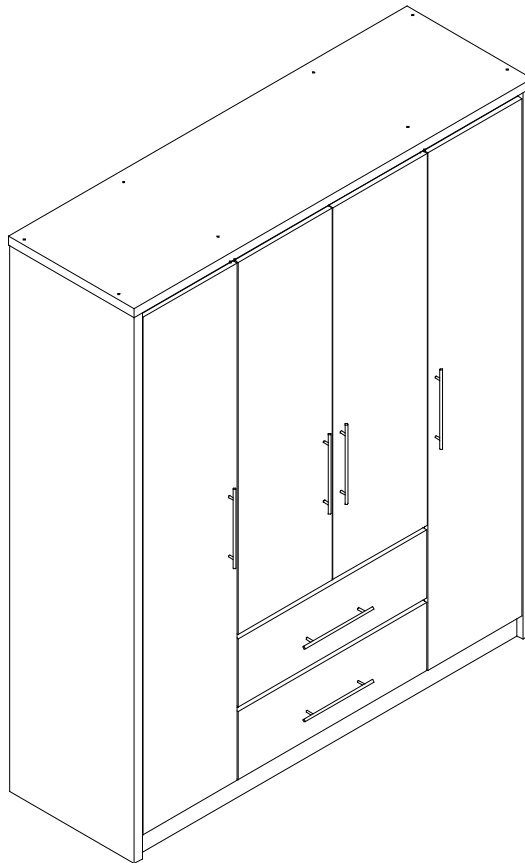
STEP 35

PARTS REQUIRED



HARDWARE REQUIRED

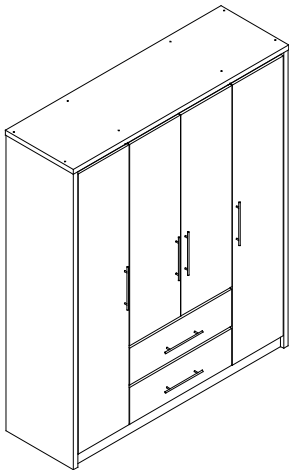
TOOLS REQUIRED



PLEASE NOTE THE CLEAR PROTECTIVE FILM WHICH NEEDS REMOVING FROM THE GLOSS FINISH.

STEP 36

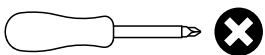
PARTS REQUIRED



HARDWARE REQUIRED



TOOLS REQUIRED



WARNING

Serious or fatal injuries can occur from furniture tipping over. To prevent the furniture from tipping over we recommend that it is permanently fixed to the wall.

Wall fixings are not supplied with this product as different wall materials require different types of fixing devices. Please make sure you use fixings suitable for the walls in your home.

