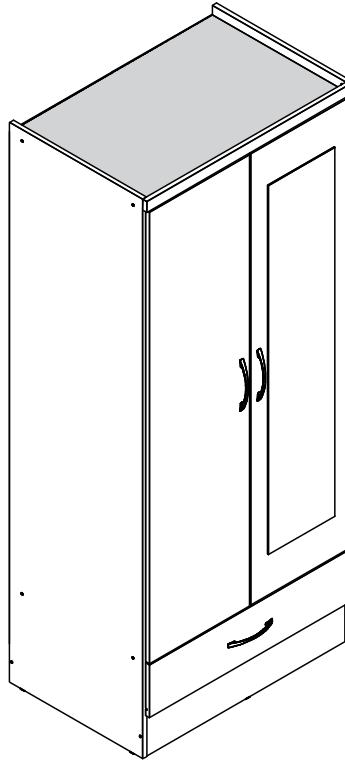


NEVADA MIRRORED 2 DOOR WARDROBE ASSEMBLY INSTRUCTIONS



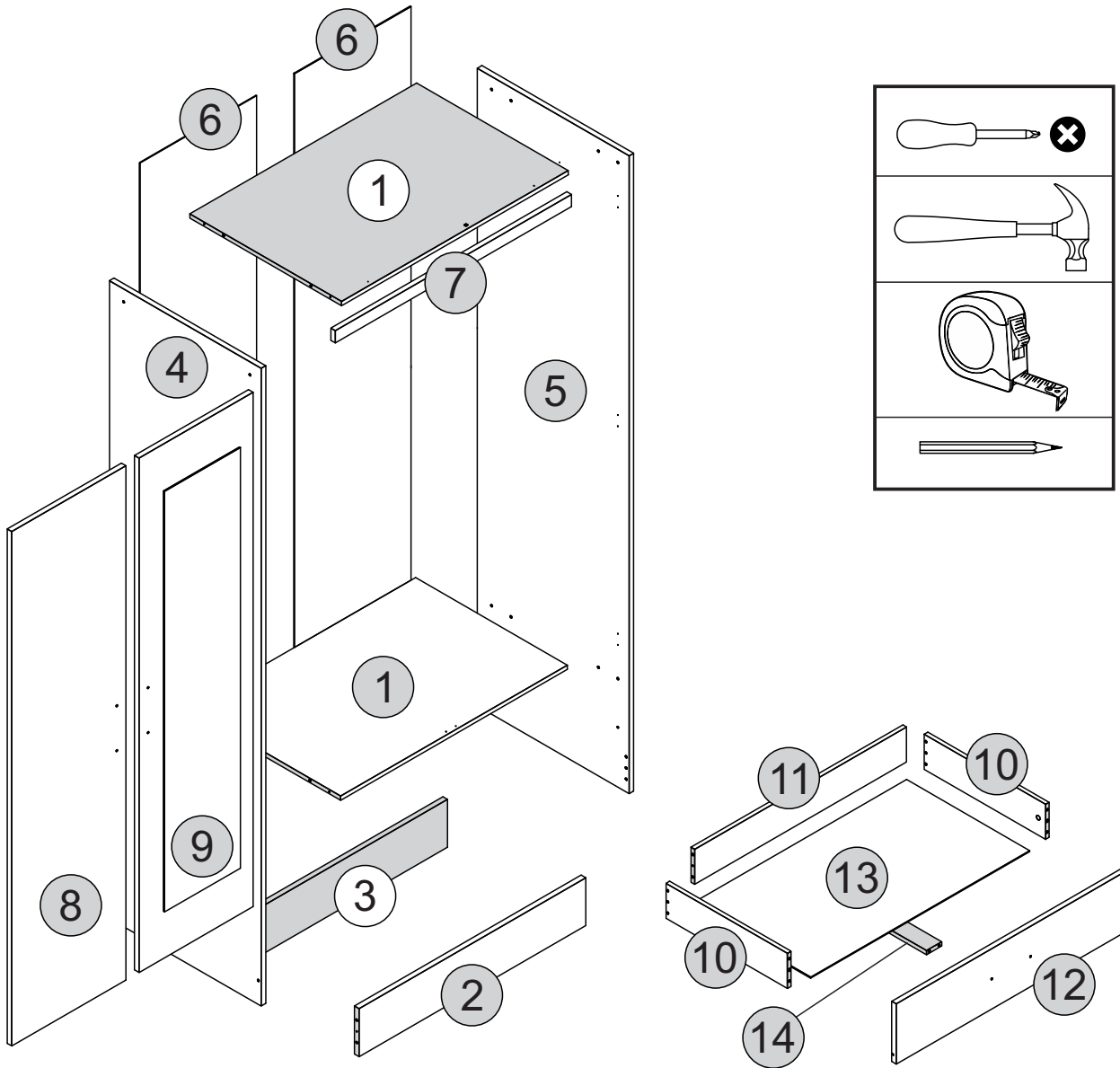
IMPORTANT FOR DOMESTIC USE ONLY

PLEASE READ BEFORE YOU CONTINUE FURTHER

CARE AND MAINTENANCE

After unpacking this product please keep the original packaging in case it needs to be returned for any reason.

- Please ensure all fittings and parts are present before commencing with assembly.
- Never drag or push products as this could cause damage to the joints making it inferior.
- We strongly recommend that you keep children away from your work area.
- We recommend that you lay a blanket or sheet on the floor to avoid damage to both your floor and the product.
- Assemble this product as close to its final position as possible.
- Do not place this product next to a radiator or in direct sunlight.
- Do not drag or push items across your high gloss furniture as this may cause the surface to scratch
- Wood is a natural product and may expand if subjected to damp and may shrink or crack if subjected to heat. Therefore it is recommended that room temperature is maintained, with no sudden temperature fluctuations.
- Make sure any spillage is wiped off immediately.
- Do not place hot or chilled items directly on to the surface, use a place mat or marking will occur.
- For general cleaning use a soft cotton or micro fibre cloth, and do not use detergents of any kind.
- From time to time it may be necessary to tighten fittings, regular inspections should be carried out.
- Do not place on a wet or damp floor as staining may occur to your floor.



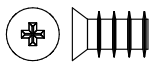
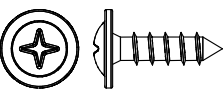
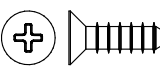
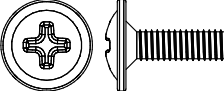
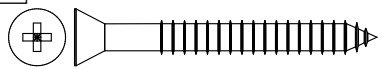
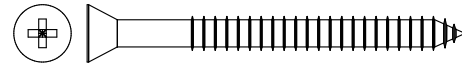


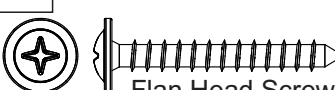
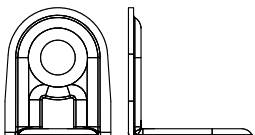
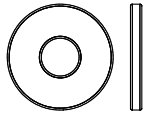
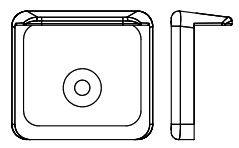
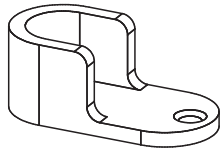
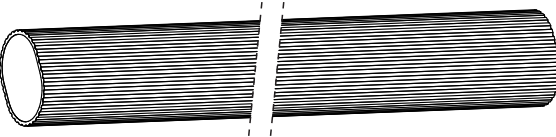
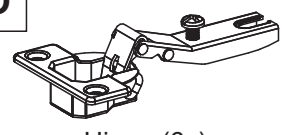
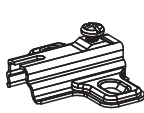
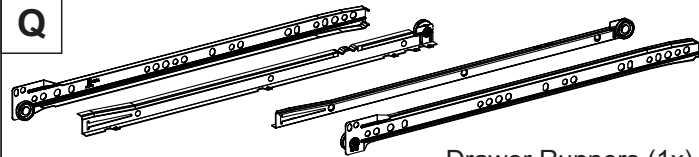
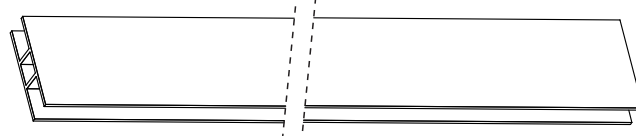



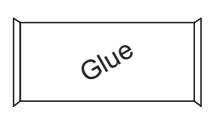
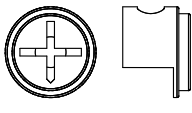
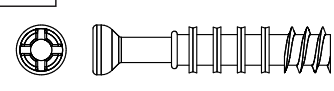
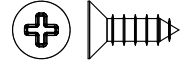
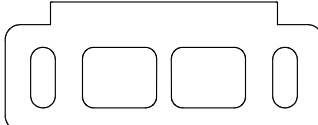
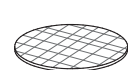
PARTS LIST

Please Note:
The below parts have all been stamped with the part number to help identify them during assembly.

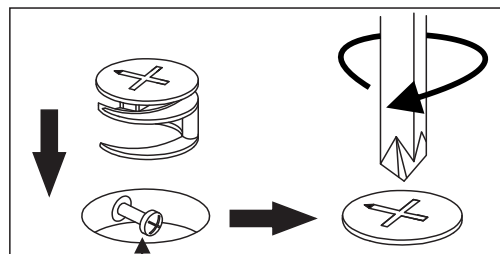
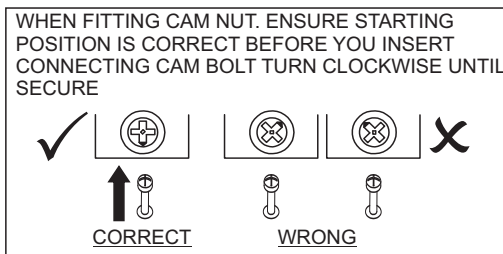
Part Number	Part Description	Quantity	Carton
01	Base-Top Panel	2	1/2
02	Front Baseboard	1	2/2
03	Back Baseboard	1	2/2
04	Left Side Panel	1	1/2
05	Right Side Panel	1	1/2
06	Back Panel	2	1/2
07	Frame	1	2/2
08	Door	1	2/2
09	Mirrored Door	1	2/2
10	Drawer Side	2	1/2
11	Drawer Back Panel	1	2/2
12	Drawer Front	1	2/2
13	Drawer Botom	1	1/2
14	Drawer Botom Support Bar	1	2/2

FITTINGS LIST

SEC/SW/04/23/CA7

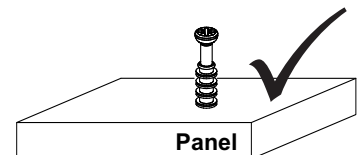
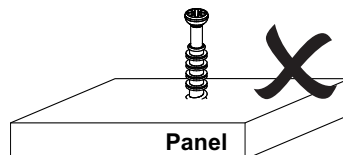
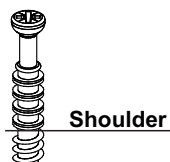
A  Flat Head Screw Ø6,0 x 10mm (4x) 1/+	B  Flan Head Screw Ø4,0 x 14mm (6x) 1/+	C  Flat Head Screw Ø4,0 x 14mm (34x) 2/+	D  Flan Head Screw Ø4,0 x 20mm (6x) 1/+
E  Flat Head Screw Ø3,5 x 40mm (2x) 1/+	F  Flat Head Screw Ø4,0 x 50mm (14x) 2/+	G  Dowel Ø6,0 x 30mm (26x) 2/+	
H  Nail 10 x 10 (58x) 2/+	I  Flan Head Screw Ø3,5 x 30mm (2x) 1/+	J  'L' Metallic Support (4x) 1/+	K  Washer (4x) 1/+
L  Plastic Foot (6x)	M  Hanging Rail Support (2x)	N  Hanging Rail (1x)	
O  Hinge (6x)	P  Hinge Plate (6x)	Q  Drawer Runners (1x)	
R  Back Panel Strip (1x)		S  Strap (2x)	T  Handle (3x)
U  Hole Plugs (12x) 2/+	V  Glue (1x)	W  Cam Nut (2x) 1/+	X  Cam Bolt (2x) 1/+
Y  Flat Head Screw Ø4,0 x 12mm (12x) 2/+	Z  Door Support (2x)		A1  Hole Plugs (2x) 2/+

TIPS FOR FITTINGS CAM-LOCKS



CAMBOLT

Tighten until shoulder in flush with panel. Do not overtighten or undertighten (see example beside)



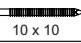
STEP 1

PARTS REQUIRED


4 - LEFT SIDE PANEL x1

HARDWARE REQUIRED

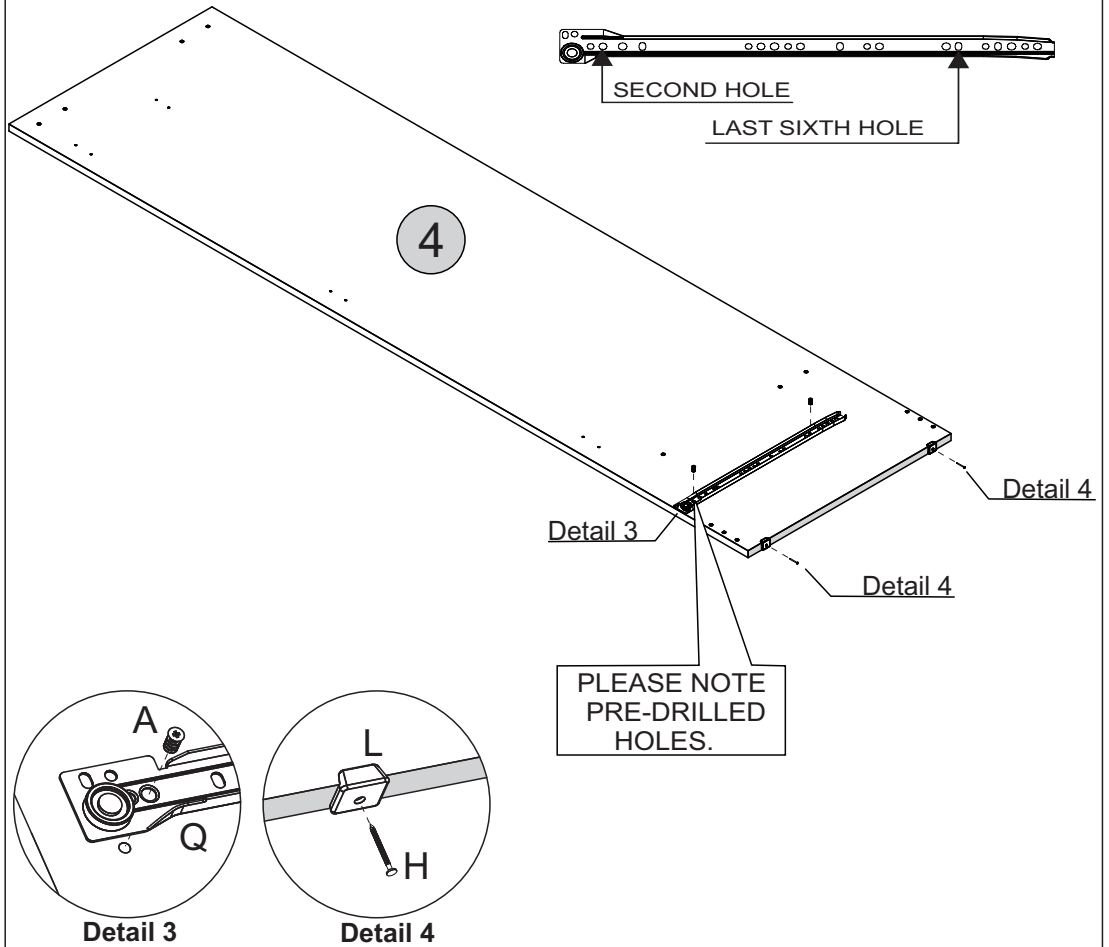
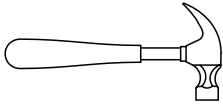
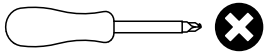
A  02
Ø6,0 x 10mm

H  02
10 x 10

L  02

Q  01
LEFT

TOOLS REQUIRED




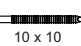
STEP 2


PARTS REQUIRED

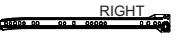
5 - RIGHT SIDE PANEL x1

HARDWARE REQUIRED

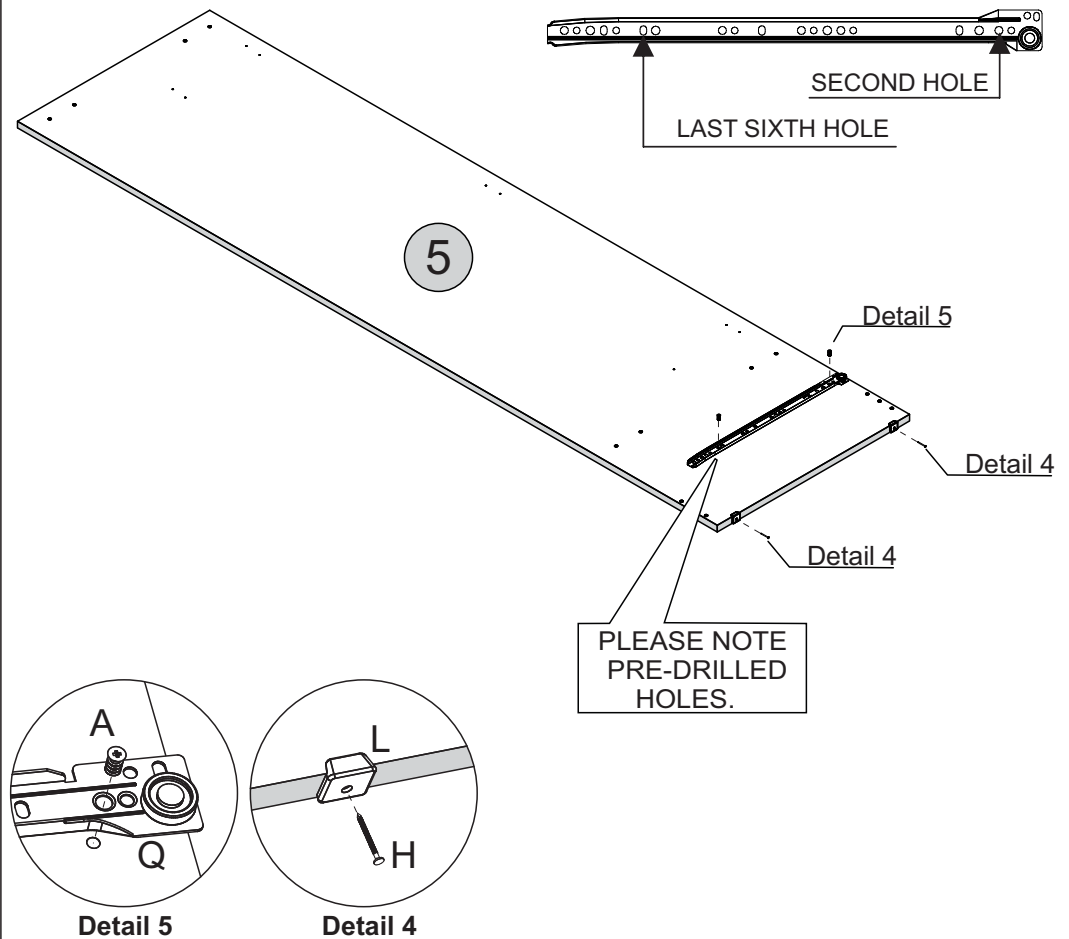
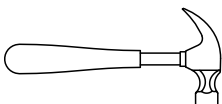
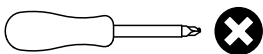
A  02
Ø6,0 x 10mm

H  02
10 x 10

L  02

Q  01
RIGHT

TOOLS REQUIRED




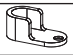
STEP 3

PARTS REQUIRED

4 - LEFT SIDE PANEL x1

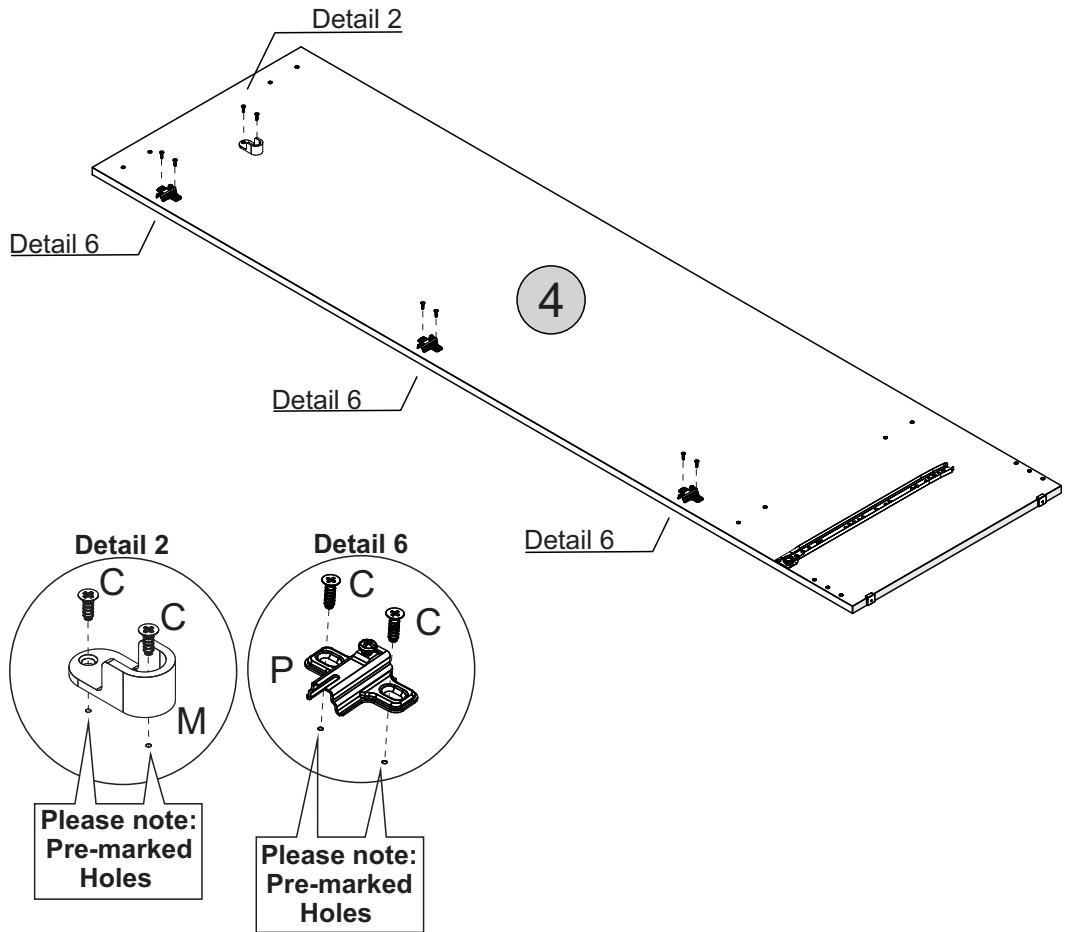
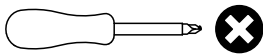
HARDWARE REQUIRED

C  08
Ø4,0 x 14mm

M  01

P  03

TOOLS REQUIRED

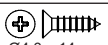


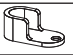
STEP 4

PARTS REQUIRED

5 - RIGHT SIDE PANEL x1

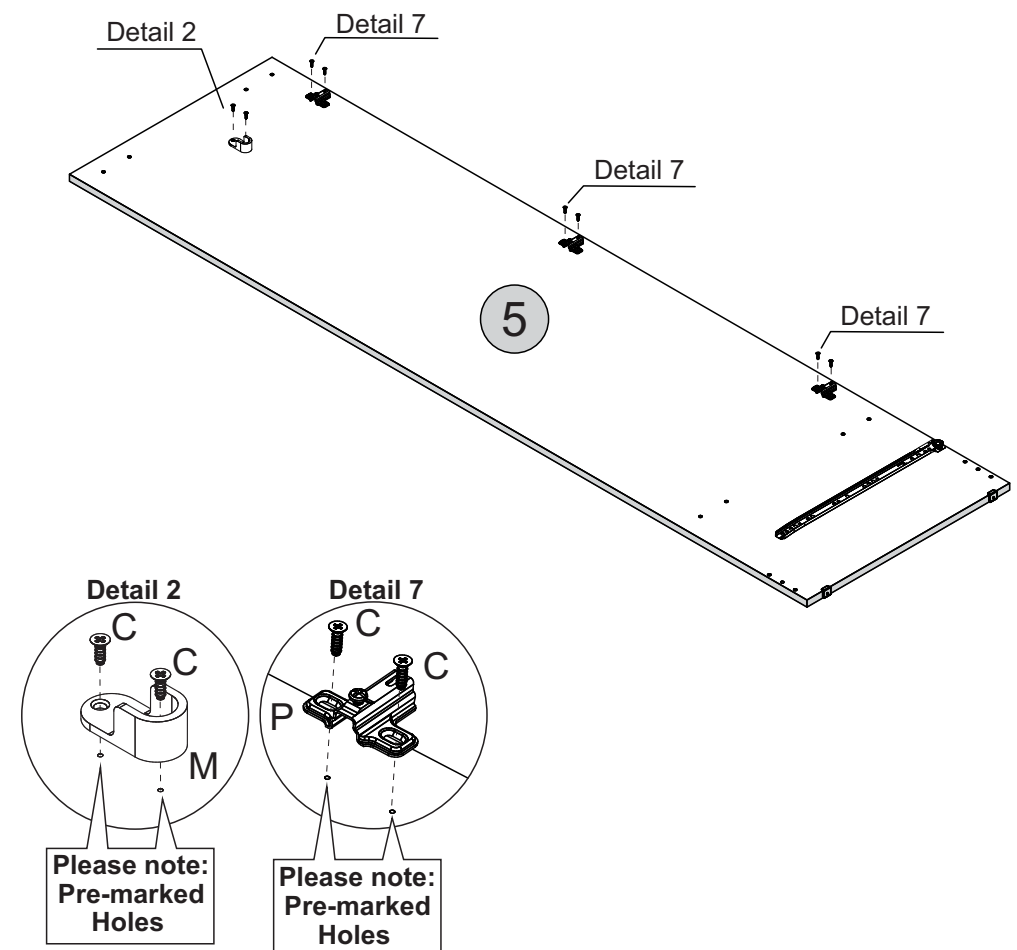
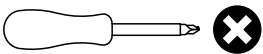
HARDWARE REQUIRED

C  08
Ø4,0 x 14mm

M  01

P  03

TOOLS REQUIRED




STEP 5

PARTS REQUIRED

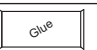
1A - BASE PANEL x1

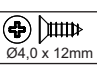
1B - TOP PANEL x1

HARDWARE REQUIRED

G  08
Ø6,0 x 30mm

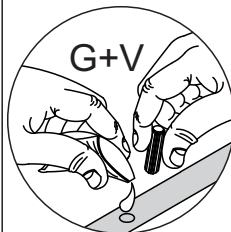
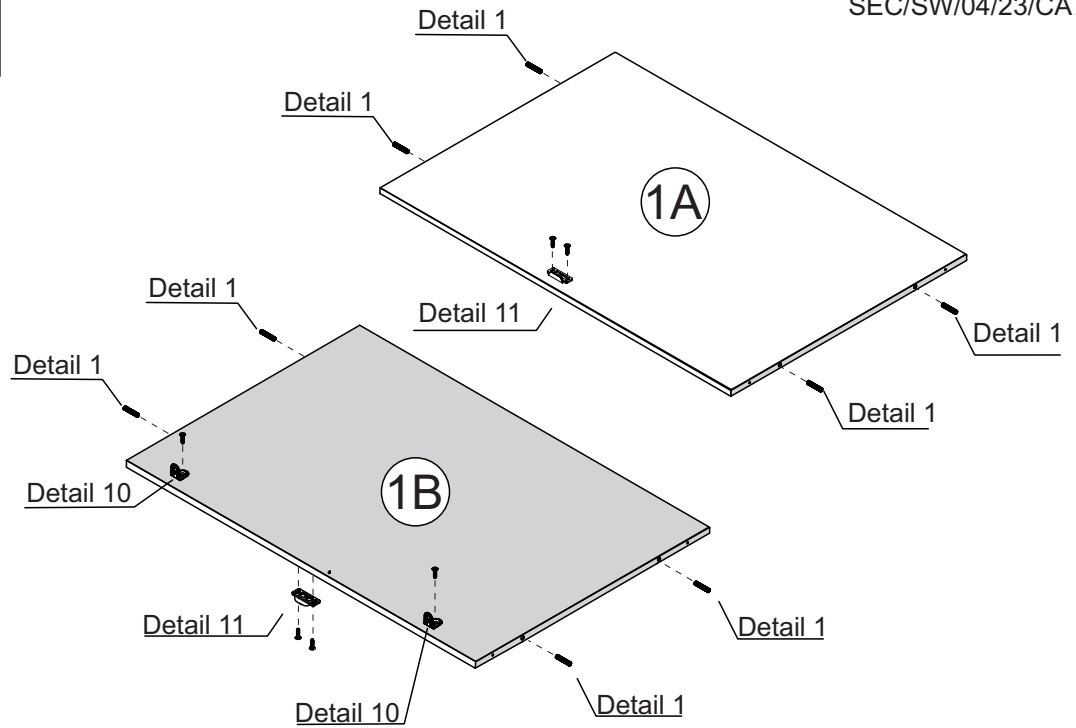
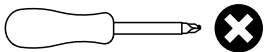
J  02

V  01

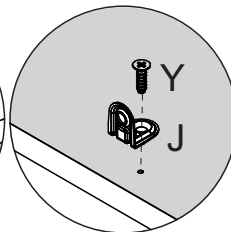
Y  06
Ø4,0 x 12mm

Z  02

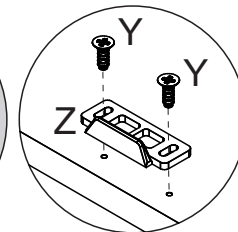
TOOLS REQUIRED



Detail 1



Detail 10



Detail 11


STEP 6

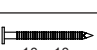
PARTS REQUIRED

2 - FRONT BASEBOARD x1

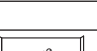
3 - BACK BASEBOARD x1

HARDWARE REQUIRED

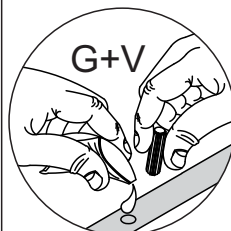
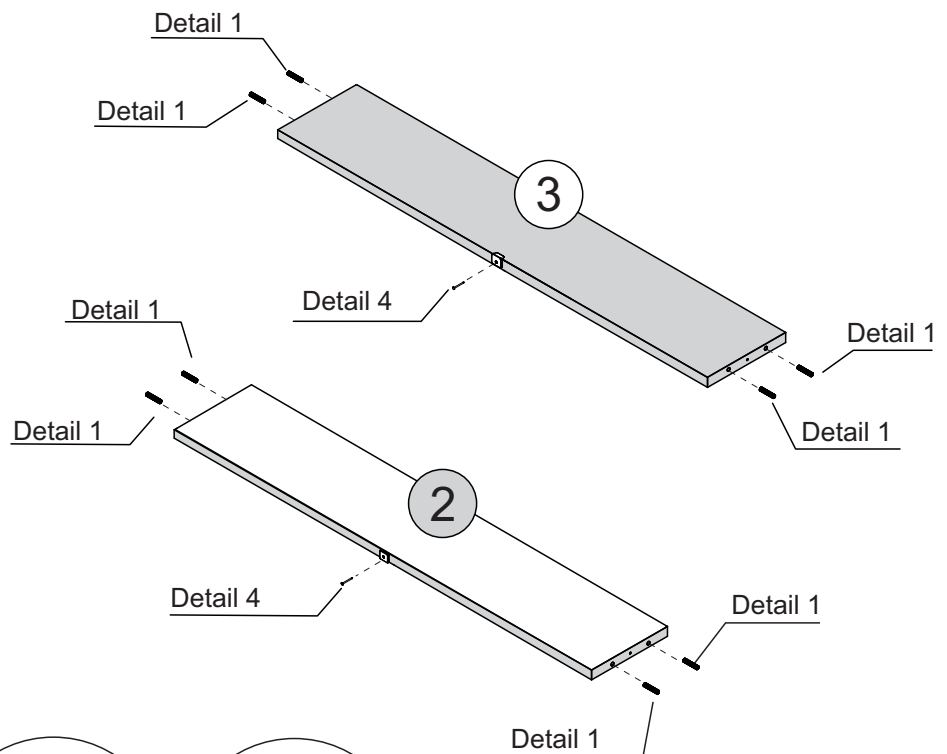
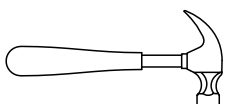
G  08
Ø6,0 x 30mm

H  02
10 x 10

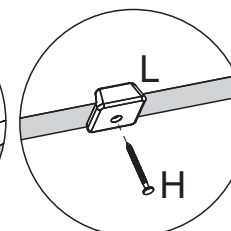
L  02

V  01

TOOLS REQUIRED



Detail 1



Detail 4

STEP 7


PARTS REQUIRED

1A - BASE PANEL x1

1B - TOP PANEL x1

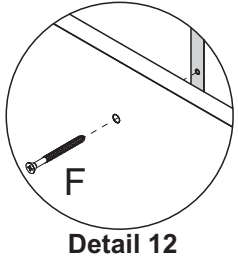
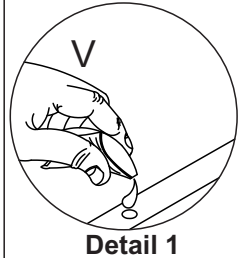
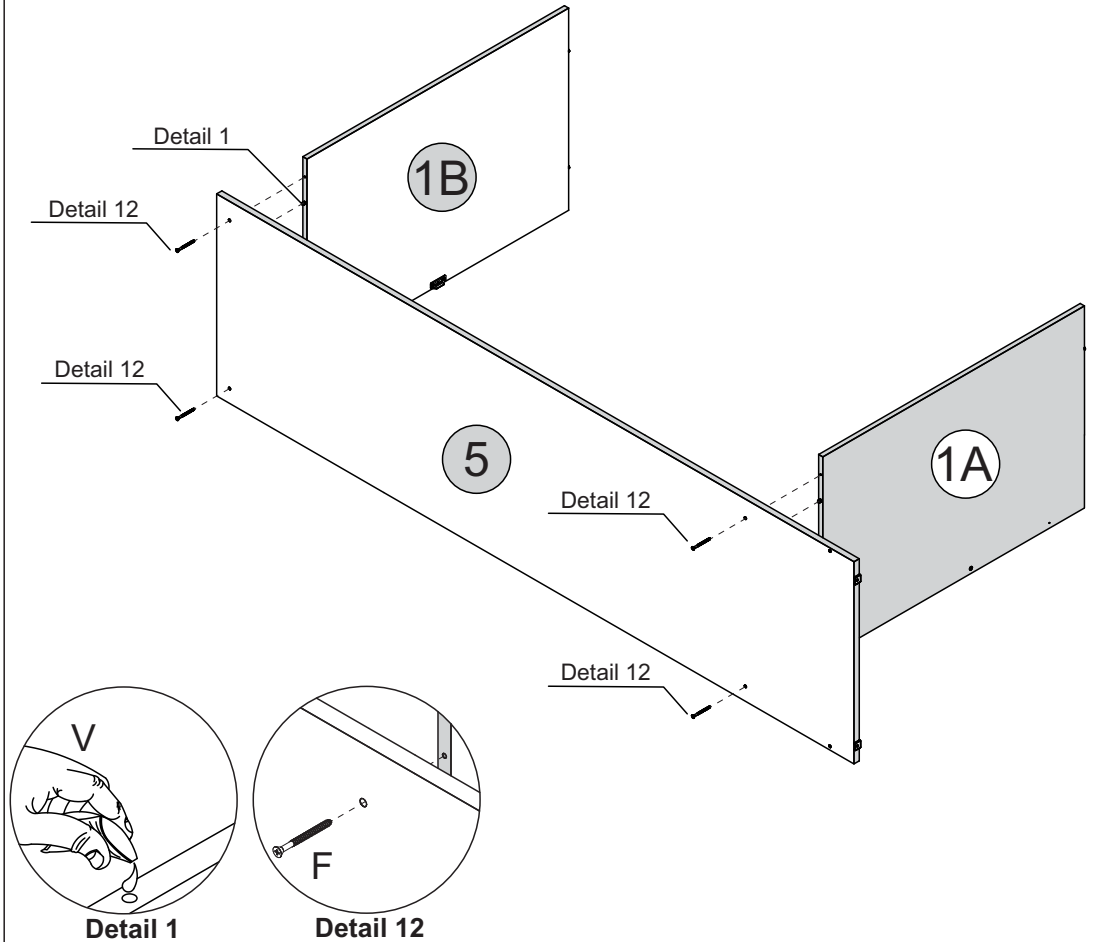
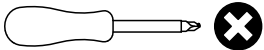
5 - RIGHT SIDE PANEL x1

HARDWARE REQUIRED

F  04
Ø4,0 x 50mm

V  01

TOOLS REQUIRED



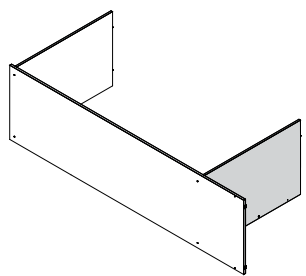
STEP 8

PARTS REQUIRED


2 - FRONT BASEBOARD x1


3 - BACK BASEBOARD x1

4 - LEFT SIDE PANEL x1

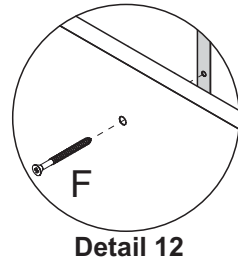
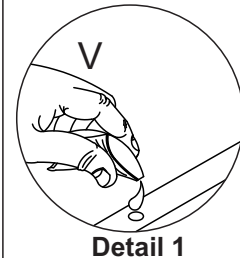
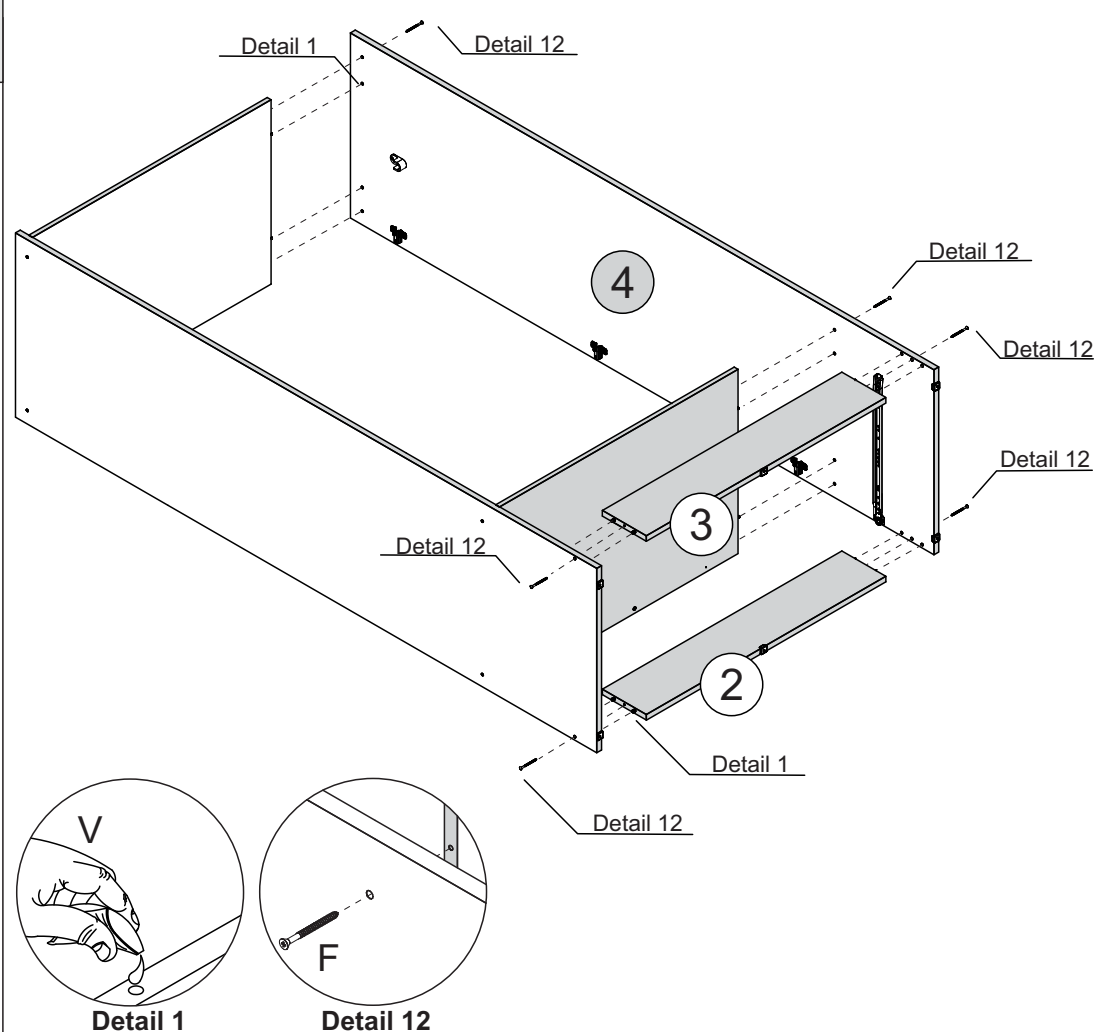
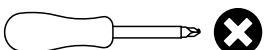


HARDWARE REQUIRED

F  08
Ø4,0 x 50mm

V  01

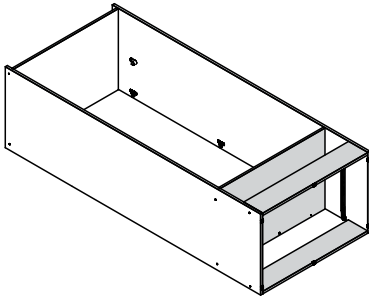
TOOLS REQUIRED



STEP 9

PARTS REQUIRED

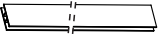
6 - BACK PANEL x2



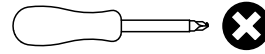
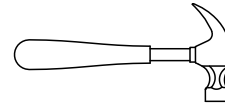
HARDWARE REQUIRED

B  06
Ø4.0 x 14mm

H  06
10 x 10

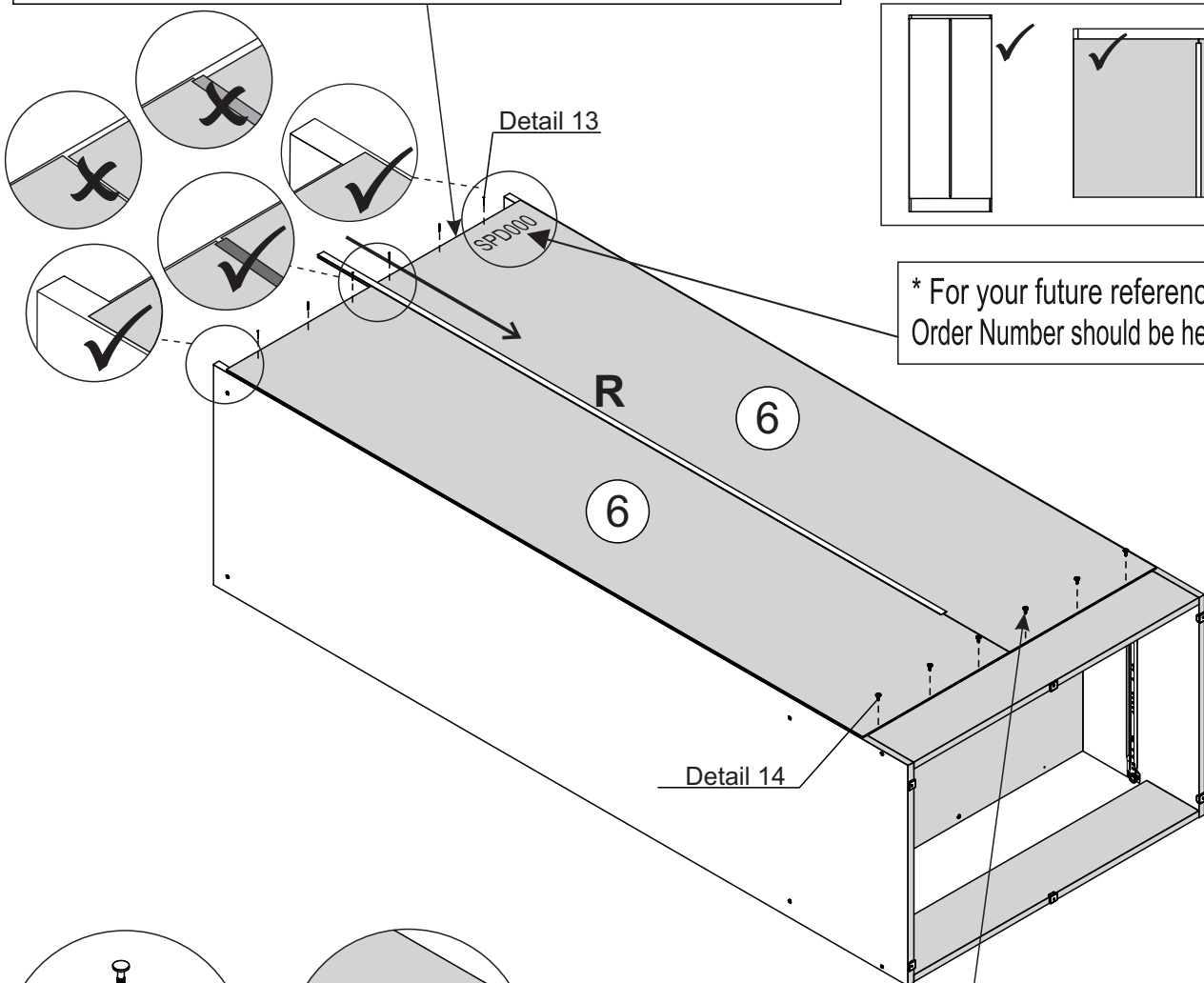
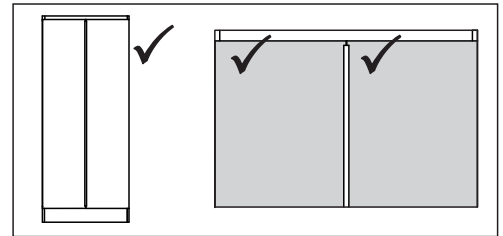
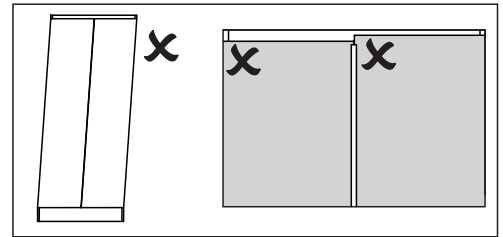
R  01

TOOLS REQUIRED

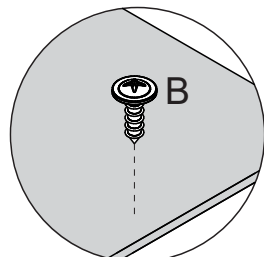
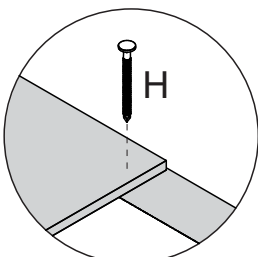


IMPORTANT PLEASE FOLLOW !

Please make sure Part 6 is lined up correctly at the top before placing fitting H into the panel as this can affect the alignment of the doors once assembled.



* For your future reference Order Number should be here



Detail 13

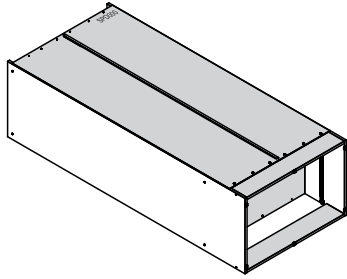
Detail 14

IMPORTANT PLEASE FOLLOW !

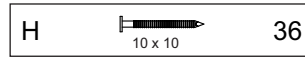
Please make sure Part 6 isn't overhanging at the sides before you screw fitting B into the plinth.

STEP 10

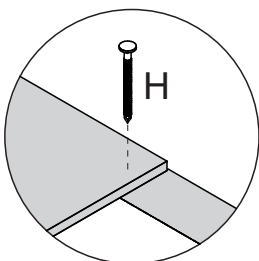
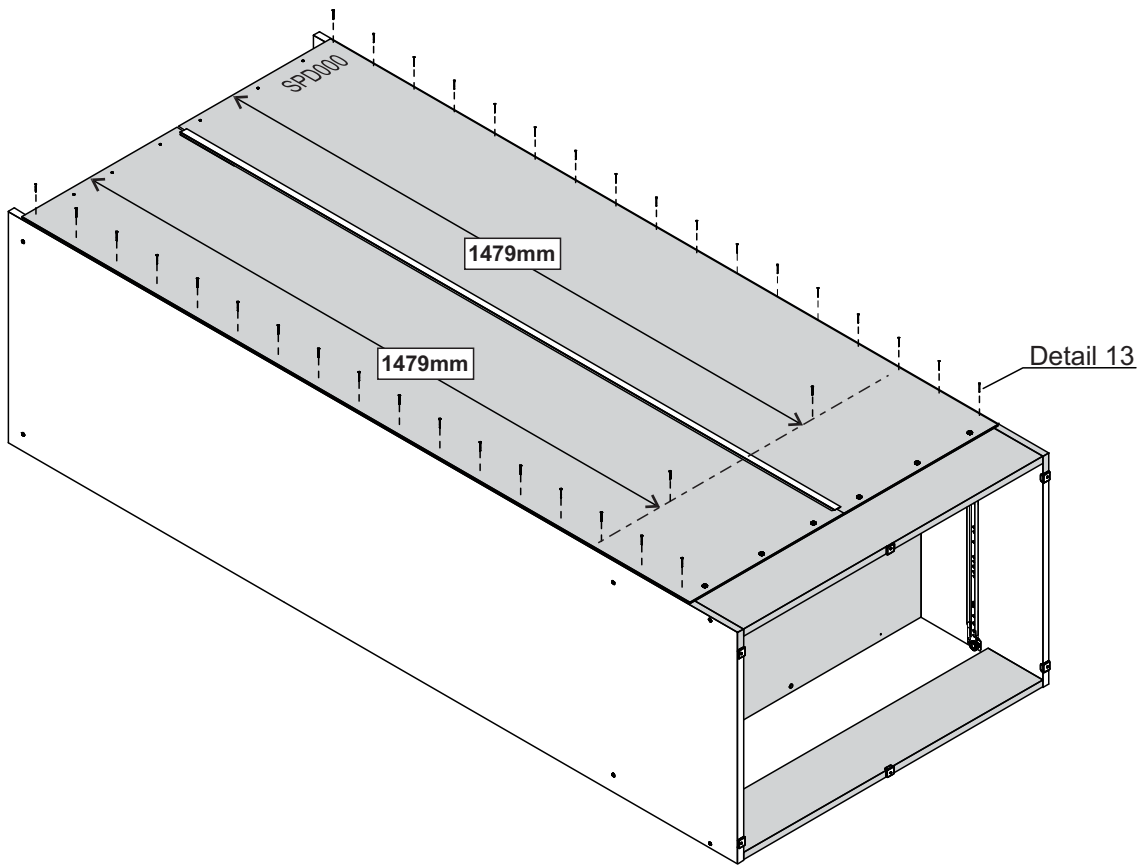
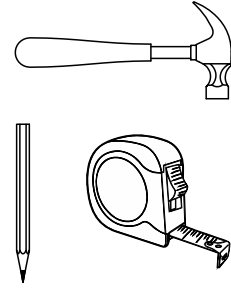
PARTS REQUIRED



HARDWARE REQUIRED



TOOLS REQUIRED

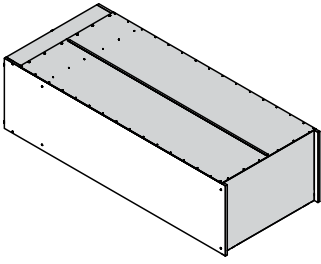


Detail 13

STEP 11


PARTS REQUIRED

7 - FRAME x1

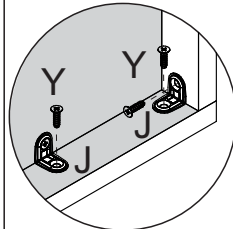
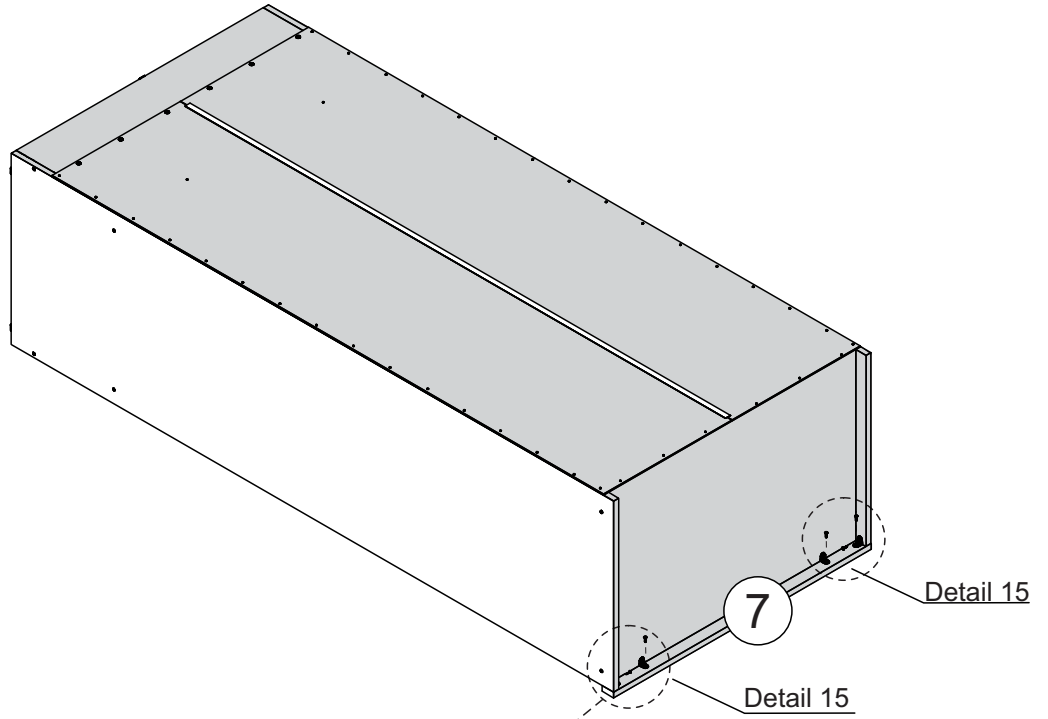
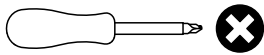


HARDWARE REQUIRED

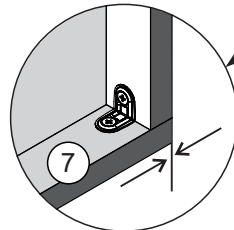
J  02

Y  06
Ø4,0 x 12mm

TOOLS REQUIRED



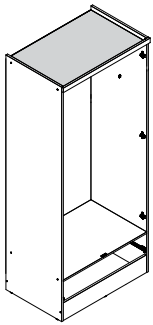
Detail 15



Align corners

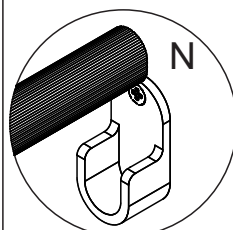
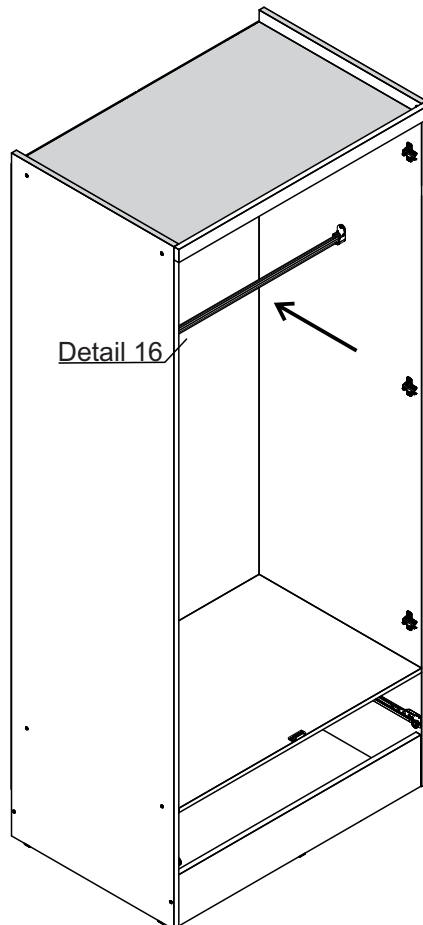
STEP 12

PARTS REQUIRED



HARDWARE REQUIRED

N  01



Detail 16

STEP 13


PARTS REQUIRED

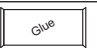
10 - DRAWER SIDE x2

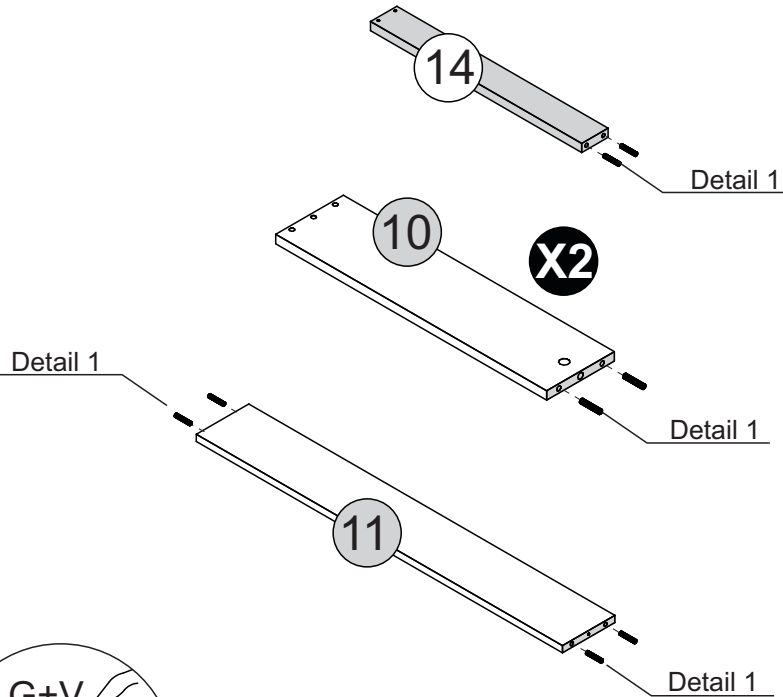
11 - DRAWER BACK PANEL x1

14 - DRAWER BOTTOM SUPPORT BAR x1

HARDWARE REQUIRED

G  10
Ø6,0 x 30mm

V  01
Glue



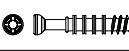
Detail 1

STEP 14

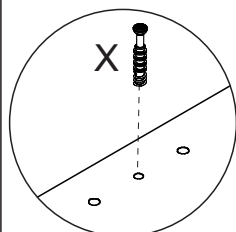
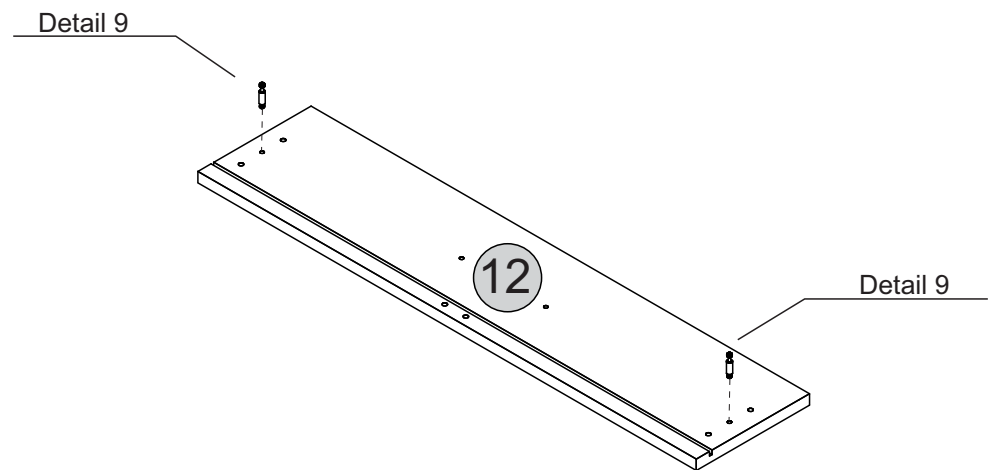
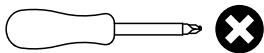
PARTS REQUIRED

12 - DRAWER FRONT x1

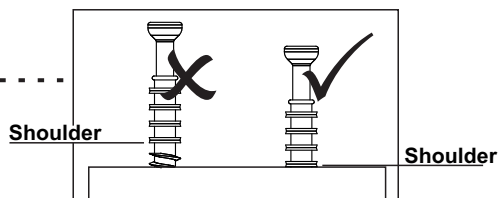
HARDWARE REQUIRED

X  02

TOOLS REQUIRED



Detail 9




STEP 15

PARTS REQUIRED

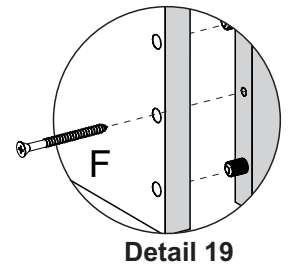
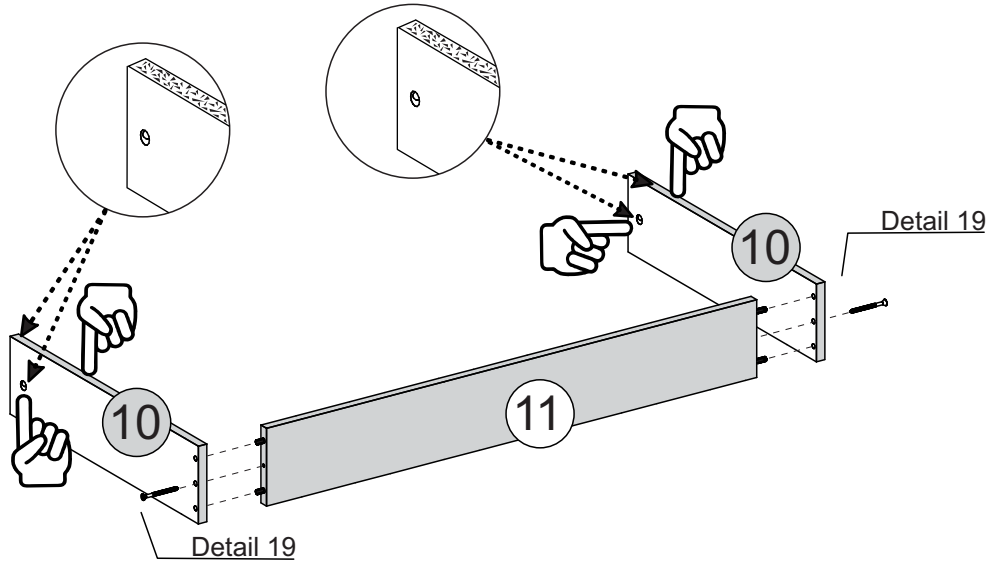
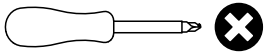
10 - DRAWER SIDE x2

11 - DRAWER BACK PANEL x1

HARDWARE REQUIRED

F  02
Ø4,0 x 50mm

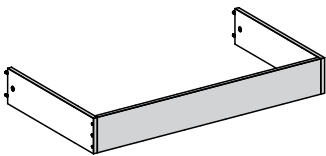
TOOLS REQUIRED



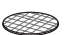
STEP 16

PARTS REQUIRED

12 - DRAWER FRONT x1



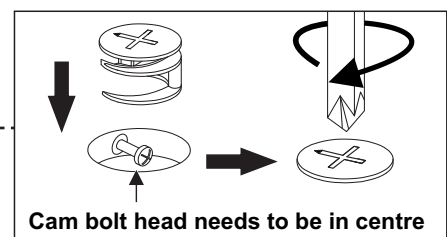
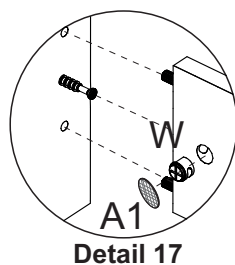
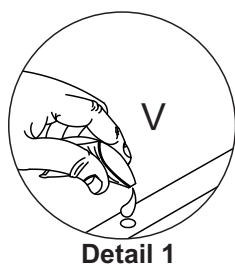
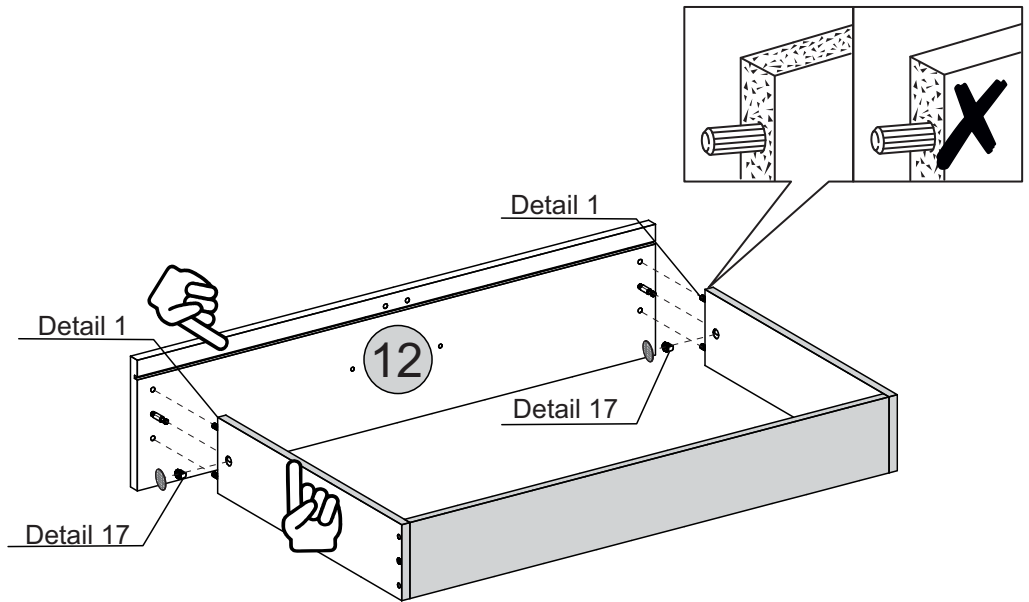
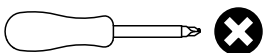
HARDWARE REQUIRED

A1  02

V  01

W  02

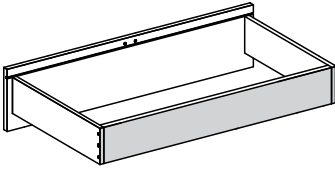
TOOLS REQUIRED



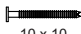
STEP 17

PARTS REQUIRED

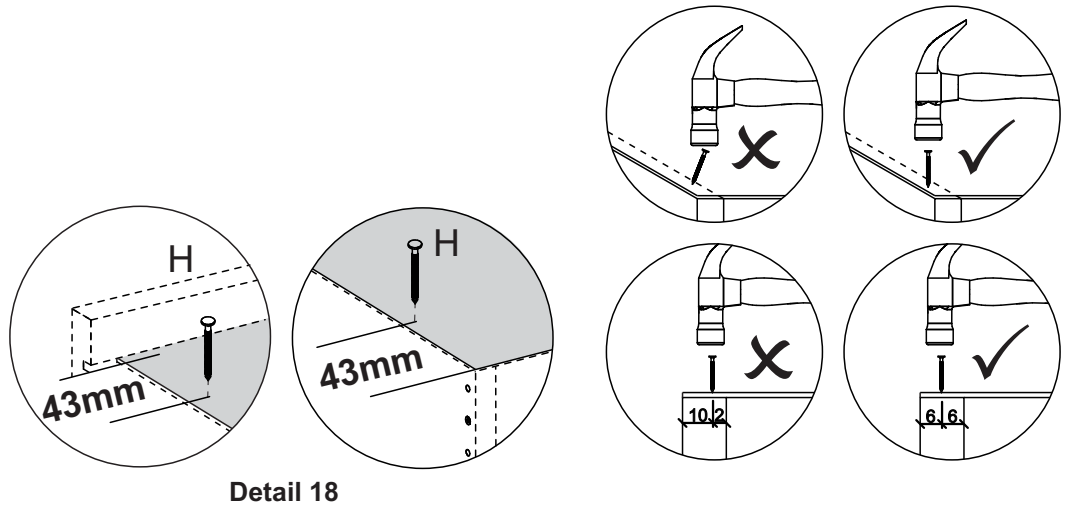
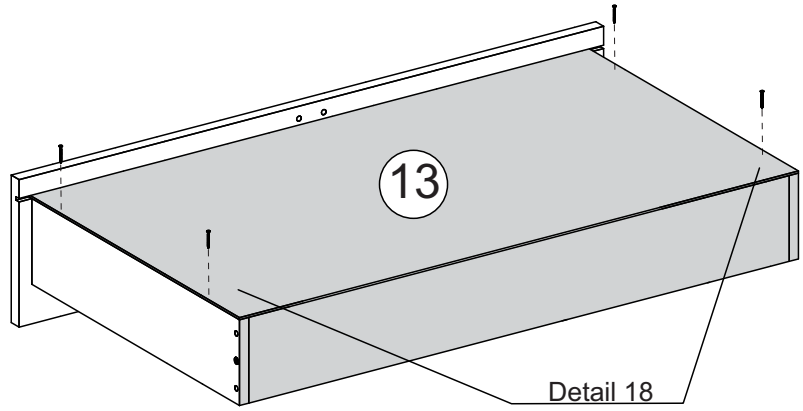
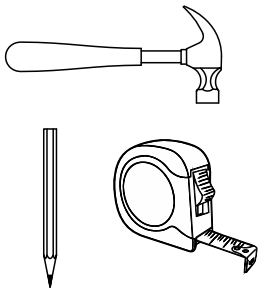
13 - DRAWER BOTTOM x1



HARDWARE REQUIRED

H  04
10 x 10

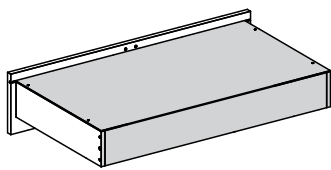
TOOLS REQUIRED



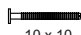
STEP 18

PARTS REQUIRED

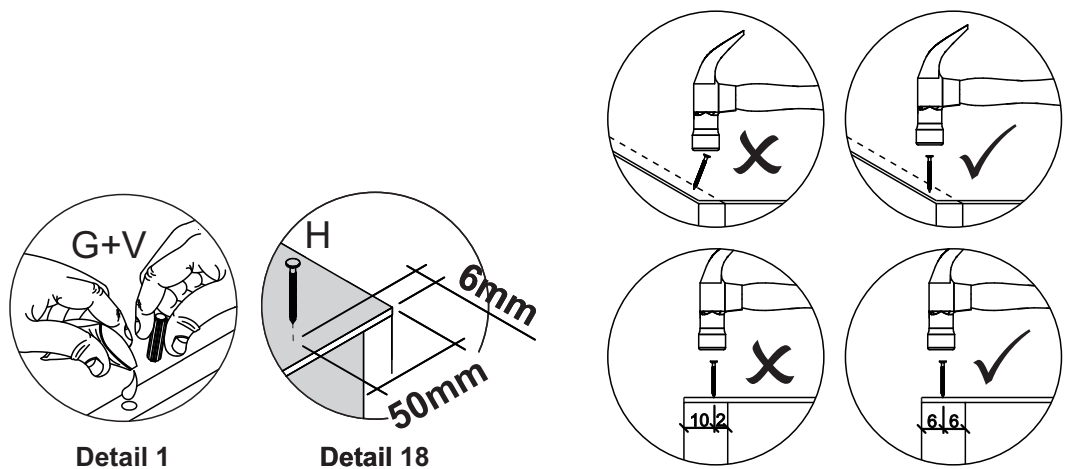
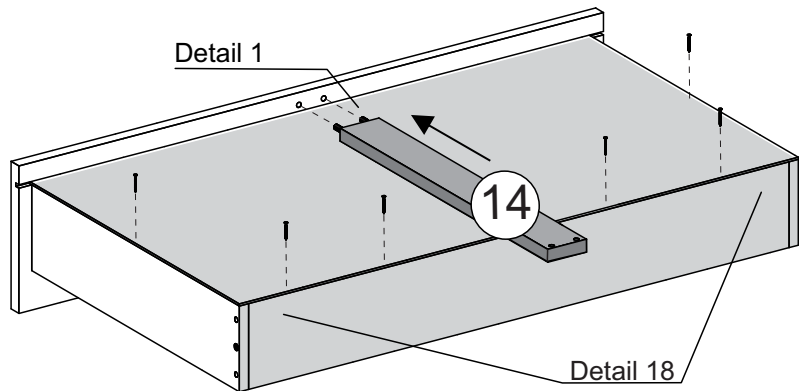
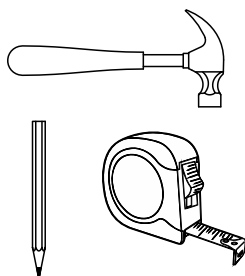
14 - DRAWER BOTTOM SUPPORT BAR x1



HARDWARE REQUIRED

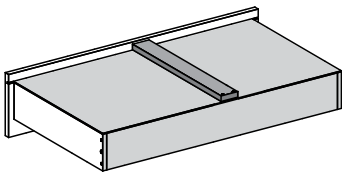
H  06
10 x 10

TOOLS REQUIRED

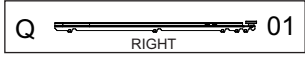
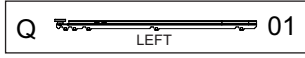
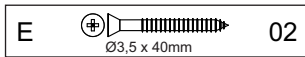
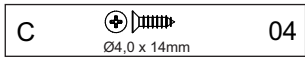


STEP 19

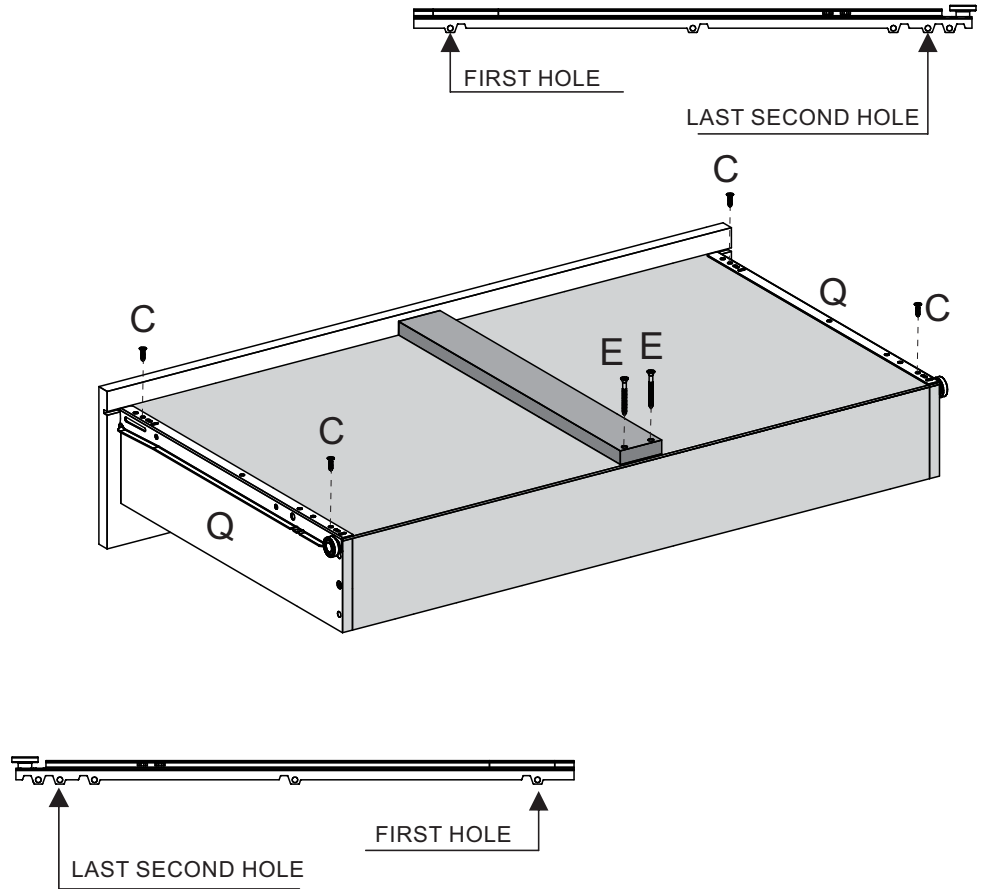
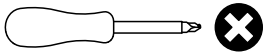
PARTS REQUIRED



HARDWARE REQUIRED

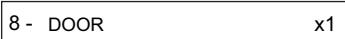


TOOLS REQUIRED

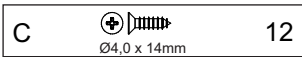


STEP 20

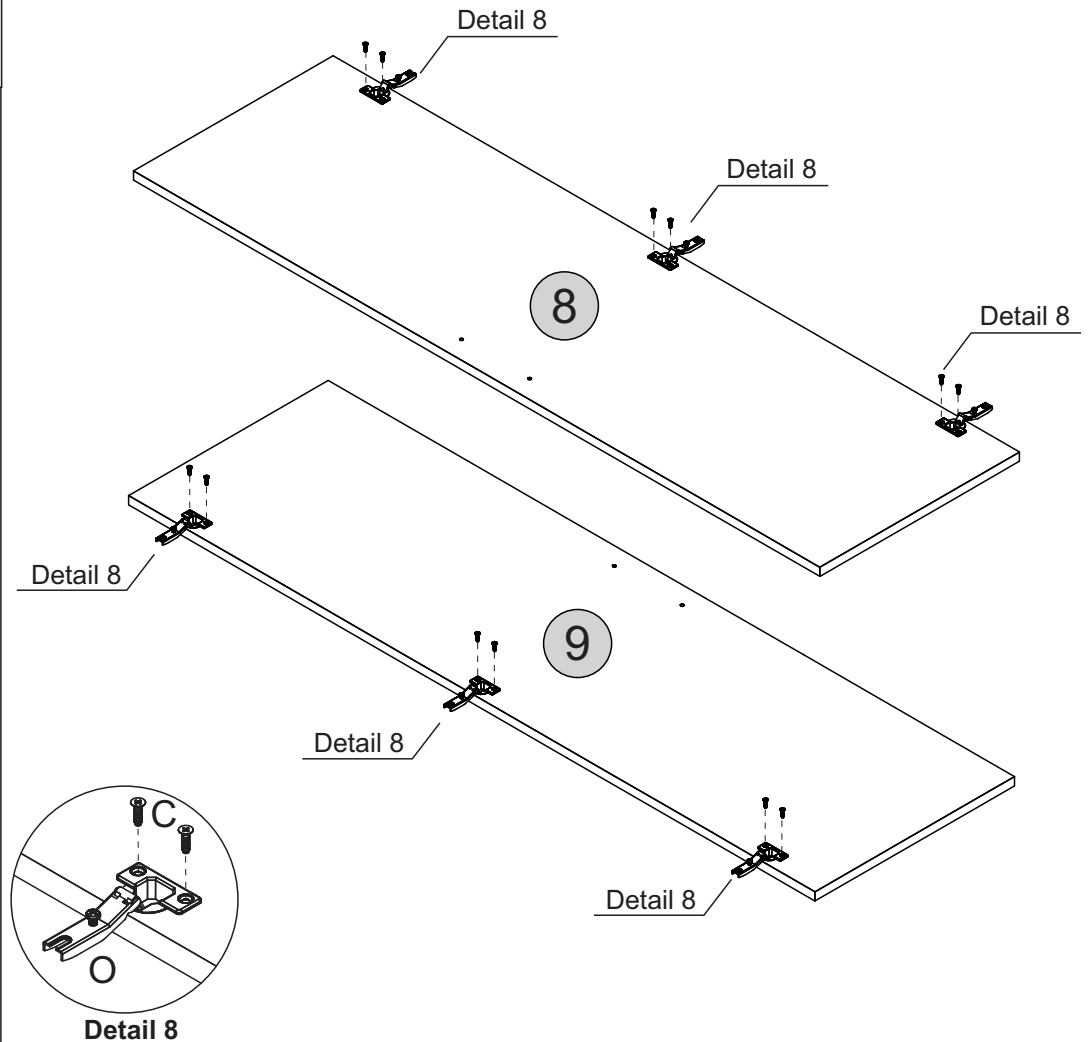
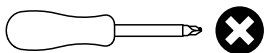
PARTS REQUIRED



HARDWARE REQUIRED



TOOLS REQUIRED

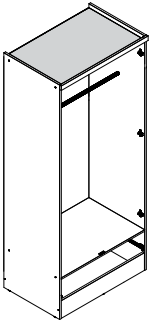


STEP 21

PARTS REQUIRED

8 - DOOR x1

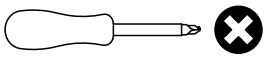
9 - MIRRORED DOOR x1



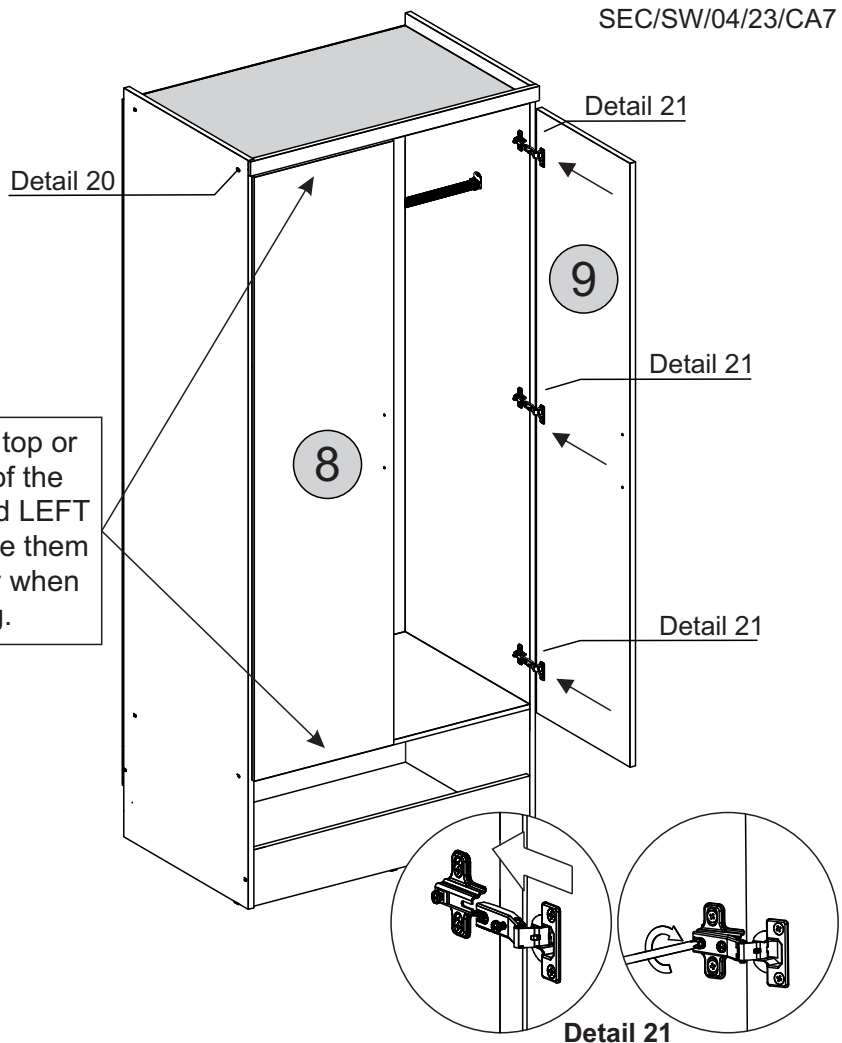
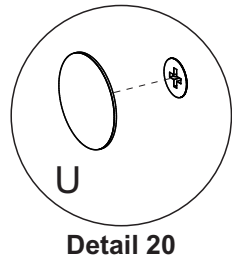
HARDWARE REQUIRED

U  12

TOOLS REQUIRED

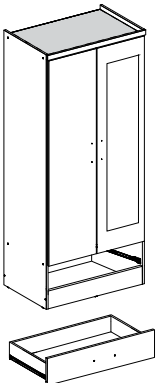


!
Please note the top or bottom edges of the doors are labelled LEFT or RIGHT to make them easier to identify when assembling.




STEP 22

PARTS REQUIRED

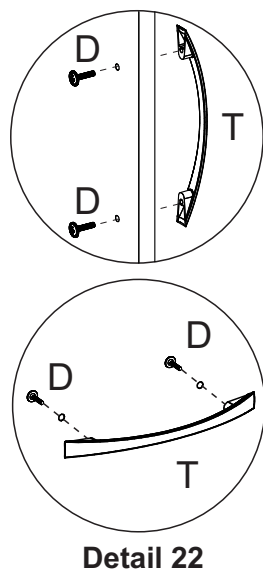
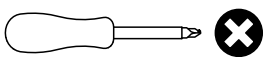


HARDWARE REQUIRED

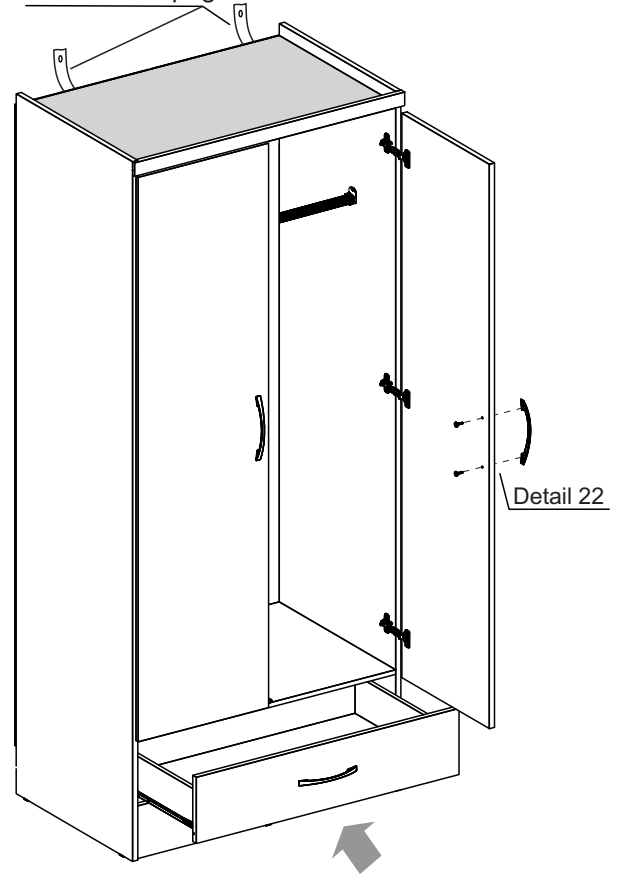
D  06
Ø4,0 x 20mm

T  03

TOOLS REQUIRED




!
See the last page

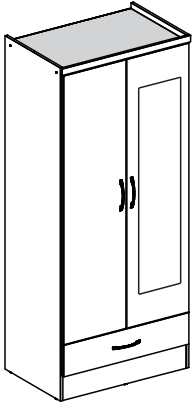


STEP 23


TIP
If desired, after assembly use an alcohol cleaner to erase the number printed on the parts.



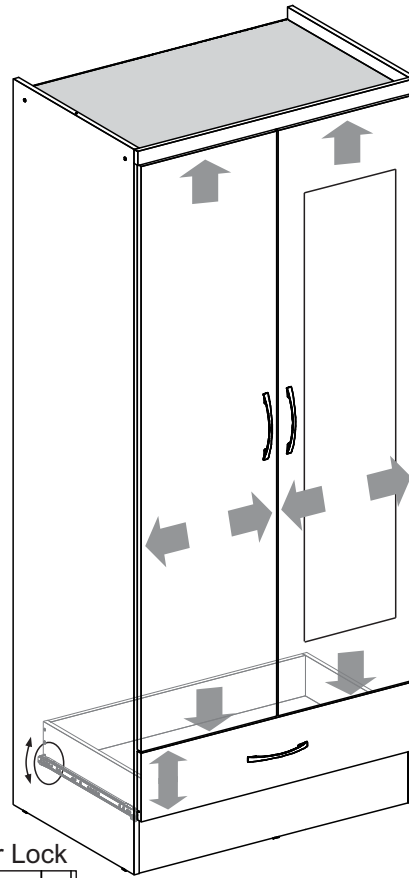
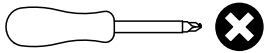
PARTS REQUIRED



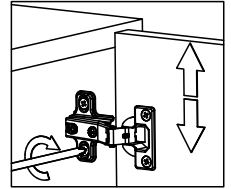
HARDWARE REQUIRED

C  02
Ø4,0 x 14mm

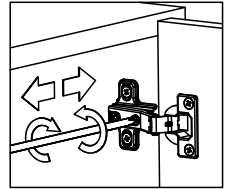
TOOLS REQUIRED



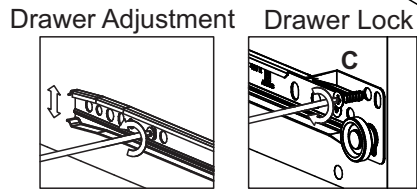
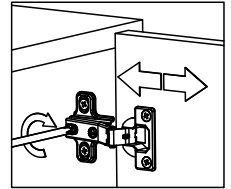
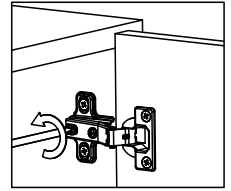
Height Adjustment



Internal Adjustment



Depth Adjustment

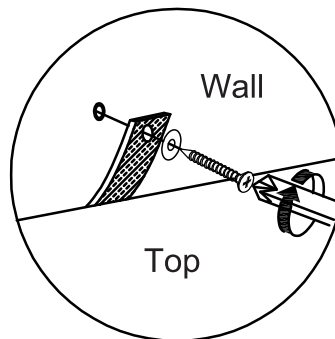
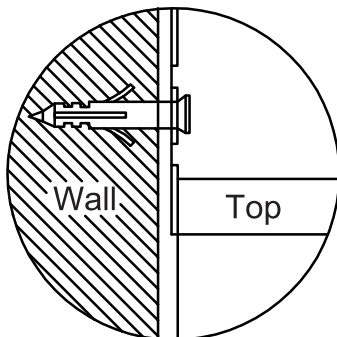
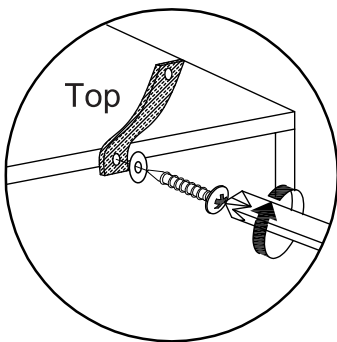


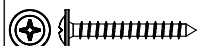


Detail 23

WARNING

Serious or fatal injuries can occur from furniture tipping over. To prevent the furniture from tipping over we recommend that it is permanently fixed to the wall.

Wall fixings are not supplied with this product as different wall materials require different types of fixing devices. Please make sure you use fixings suitable for the walls in your home.



-  Flan Head Screw
Ø3,5 x 30mm (2x)
-  Washer (4x)
-  Strap (2x)