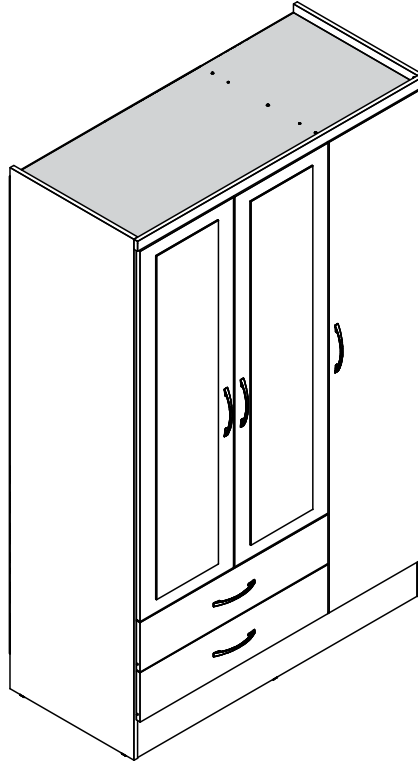


NEVADA 3 DOOR 2 DRAWER WARDROBE ASSEMBLY INSTRUCTIONS



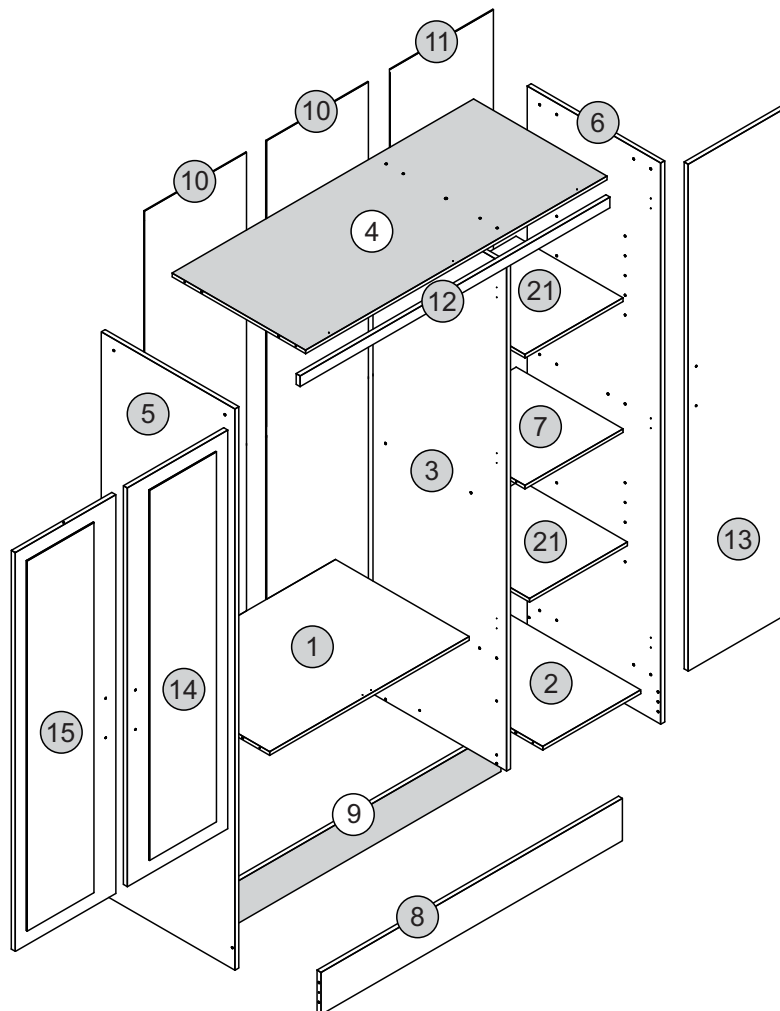
IMPORTANT FOR DOMESTIC USE ONLY

PLEASE READ BEFORE YOU CONTINUE FURTHER

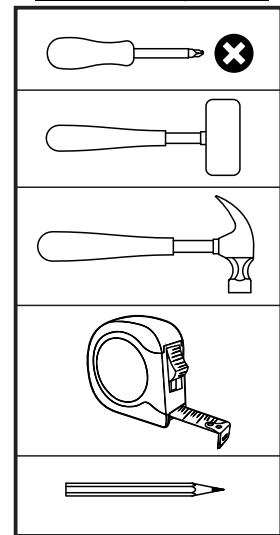
CARE AND MAINTENANCE

After unpacking this product please keep the original packaging in case it needs to be returned for any reason.

- Please ensure all fittings and parts are present before commencing with assembly.
- Never drag or push products as this could cause damage to the joints making it inferior.
- We strongly recommend that you keep children away from your work area.
- We recommend that you lay a blanket or sheet on the floor to avoid damage to both your floor and the product.
- Assemble this product as close to its final position as possible.
- Do not place this product next to a radiator or in direct sunlight.
- Do not drag or push items across your high gloss furniture as this may cause the surface to scratch
- Wood is a natural product and may expand if subjected to damp and may shrink or crack if subjected to heat. Therefore it is recommended that room temperature is maintained, with no sudden temperature fluctuations.
- Make sure any spillage is wiped off immediately.
- Do not place hot or chilled items directly on to the surface, use a place mat or marking will occur.
- For general cleaning use a soft cotton or micro fibre cloth, and do not use detergents of any kind.
- From time to time it may be necessary to tighten fittings, regular inspections should be carried out.
- Do not place on a wet or damp floor as staining may occur to your floor.



TOOLS REQUIRED

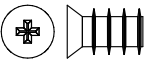
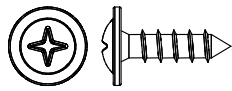
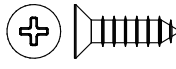
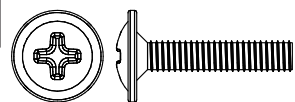
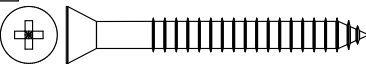
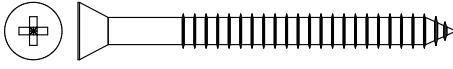
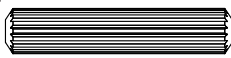

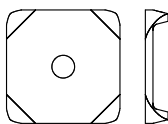
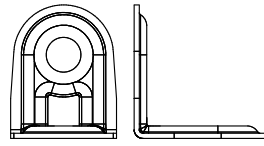
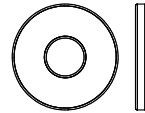
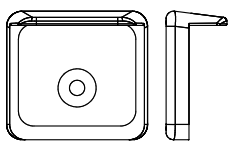
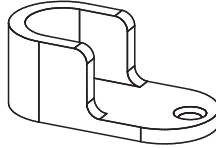
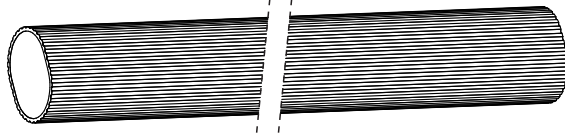
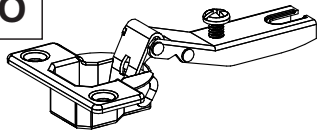
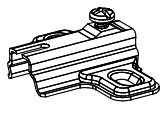
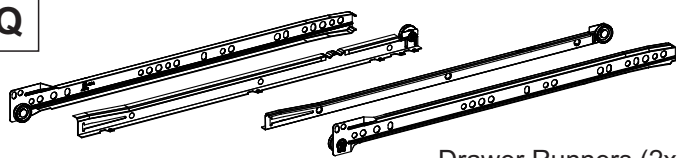
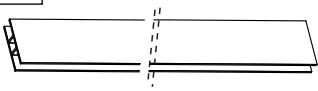



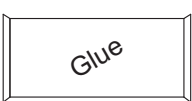
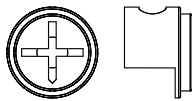
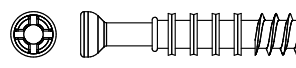
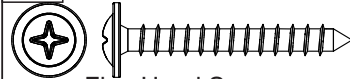
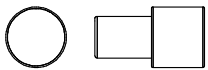
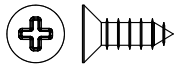
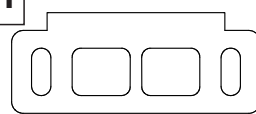
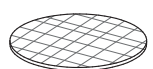
**PARTS LIST*****Please Note:***

The below parts have all been stamped with the part number to help identify them during assembly.

Part Number	Part Description	Quantity	Carton
01	Large Base Panel	1	2/3
02	Small Base Panel	1	2/3
03	Division Panel	1	1/3
04	Top Panel	1	2/3
05	Left Side Panel	1	1/3
06	Right Side Panel	1	1/3
07	Shelf	1	2/3
08	Front Baseboard	1	2/3
09	Back Baseboard	1	2/3
10	Small Back Panel	2	3/3
11	Large Back Panel	1	3/3
12	Frame	1	1/3
13	Large Door	1	3/3
14	Right Small Door	1	3/3
15	Left Small Door	1	3/3
16	Drawer Side	4	2/3
17	Drawer Back Panel	2	2/3
18	Drawer Front	2	2/3
19	Drawer Bottom	2	1/3
20	Drawer Bottom Support Bar	2	2/3
21	Movable Shelf	2	2/3


FITTINGS LIST

SEC/AY/06/21/CA5

<p>A</p>  <p>Flat Head Screw Ø6,0 x 10mm (8x)</p> <p>1/+</p>	<p>B</p>  <p>Flan Head Screw Ø4,0 x 14mm (9x)</p> <p>1/+</p>	<p>C</p>  <p>Flat Head Screw Ø4,0 x 14mm (52x)</p> <p>2/+</p>	<p>D</p>  <p>Flan Head Screw Ø4,0 x 20mm (10x)</p> <p>2/+</p>
<p>E</p>  <p>Flat Head Screw Ø3,5 x 40mm (4x)</p> <p>1/+</p>	<p>F</p>  <p>Flat Head Screw Ø4,0 x 50mm (26x)</p> <p>2/+</p>	<p>G</p>  <p>2/+ Dowel Ø6,0 x 30mm (46x)</p>	
<p>H</p>  <p>Nail 10 x 10 (88x)</p> <p>2/+</p>	<p>I</p>  <p>Back Panel Bracket (16x)</p> <p>2/+</p>	<p>J</p>  <p>'L' Metallic Support (7x)</p> <p>1/+</p>	<p>K</p>  <p>Washer (4x)</p> <p>1/+</p>
<p>L</p>  <p>Plastic Foot (6x)</p> <p>1/+</p>	<p>M</p>  <p>Hanging Rail Support (2x)</p>	<p>N</p>  <p>Hanging Rail (1x)</p>	
<p>O</p>  <p>Hinge (9x)</p>	<p>P</p>  <p>Hinge Plate (9x)</p>	<p>Q</p>  <p>Drawer Runners (2x)</p>	
<p>R</p>  <p>Back Panel Strip (1x)</p>	<p>S</p>  <p>Strap (2x)</p>	<p>T</p>  <p>Handle (5x)</p>	<p>U</p>  <p>Hole Plugs (14x)</p> <p>4/+</p>
<p>V</p>  <p>Glue (2x)</p>	<p>W</p>  <p>Cam Nut (4x)</p> <p>1/+</p>	<p>X</p>  <p>Cam Bolt (4x)</p> <p>1/+</p>	<p>Y</p>  <p>Flan Head Screw Ø3,5 x 30mm (2x)</p> <p>1/+</p>
<p>Z</p>  <p>Support Pin (8x)</p> <p>1/+</p>	<p>A1</p>  <p>Flat Head Screw Ø4,0 x 12mm (18x)</p> <p>2/+</p>	<p>B1</p>  <p>Door Support (2x)</p>	<p>C1</p>  <p>Hole Plugs (08x)</p> <p>4/+</p>

TIPS FOR FITTINGS CAM-LOCKS


WHEN FITTING CAM NUT. ENSURE STARTING POSITION IS CORRECT BEFORE YOU INSERT CONNECTING CAM BOLT TURN CLOCKWISE UNTIL SECURE



✓

↑

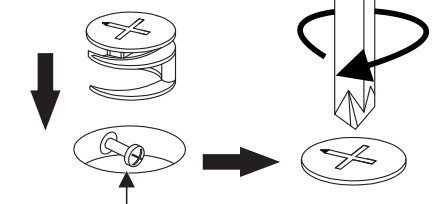
CORRECT



✗

↑

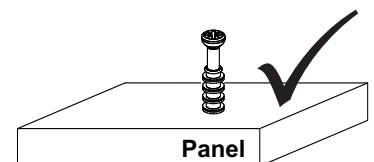
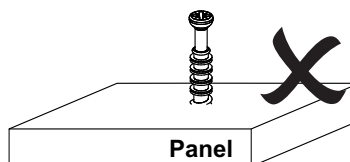
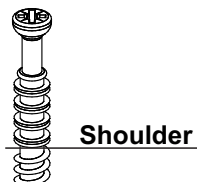
WRONG



Cam bolt head needs to be in centre

CAMBOLT

Tighten until shoulder is flush with panel. Do not overtighten or undertighten (see example beside)




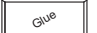
STEP 1


PARTS REQUIRED

3 - DIVISION PANEL x1

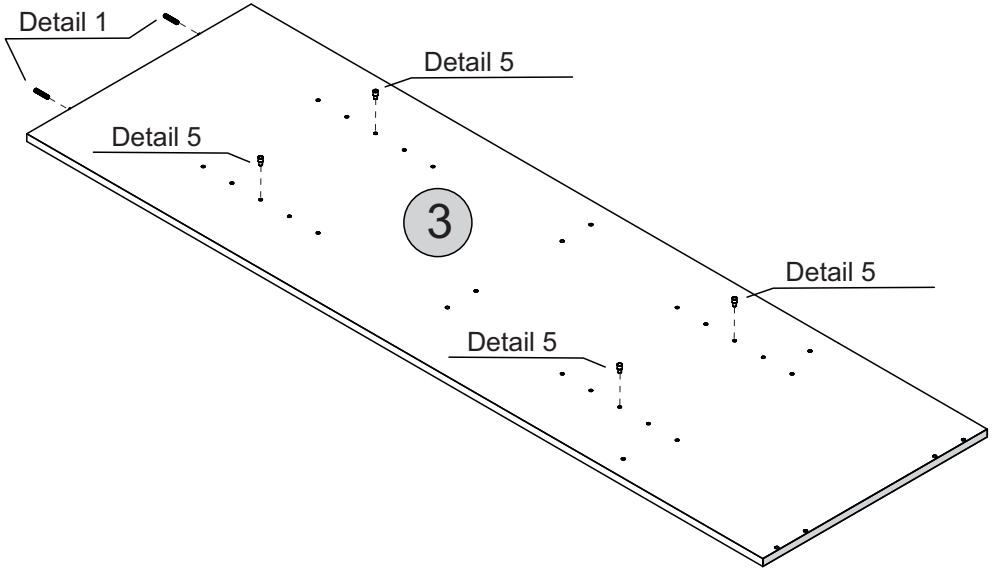
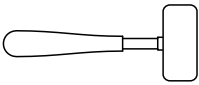
HARDWARE REQUIRED

G  02
Ø6,0 x 30mm

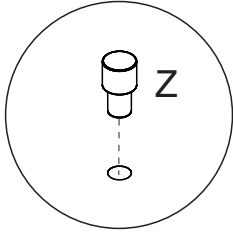
V  01
Glue

Z  04

TOOLS REQUIRED



Detail 1




Detail 5

STEP 2

PARTS REQUIRED

3 - DIVISION PANEL x1

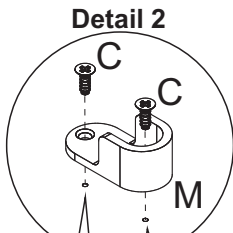
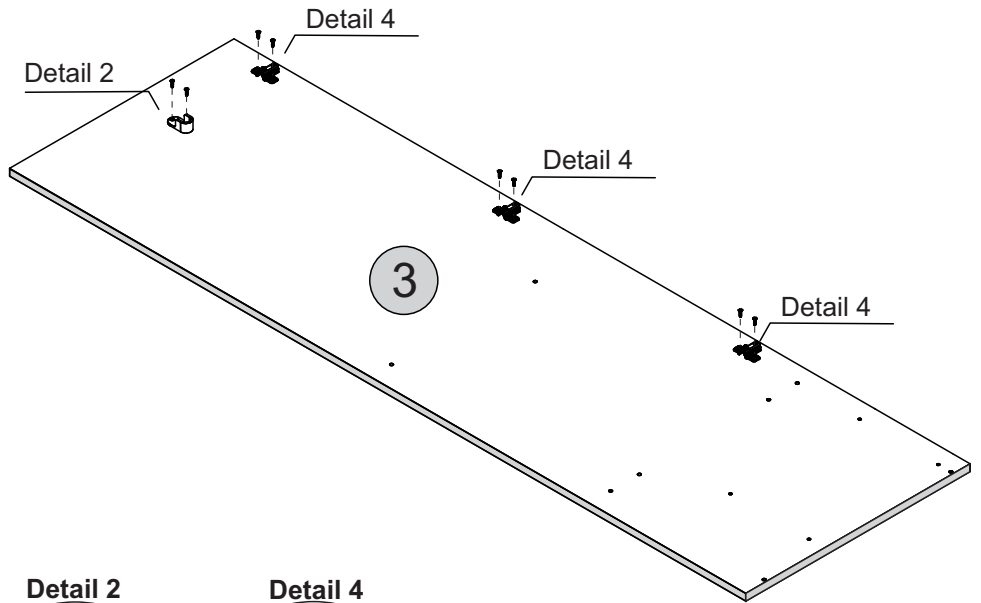
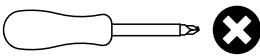
HARDWARE REQUIRED

C  08
Ø4,0 x 14mm

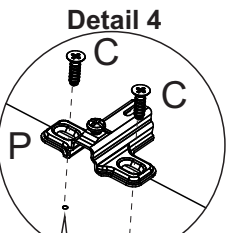
M  01

P  03

TOOLS REQUIRED



Please note:
Pre-marked
Holes



Please note:
Pre-marked
Holes

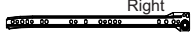
STEP 3

PARTS REQUIRED

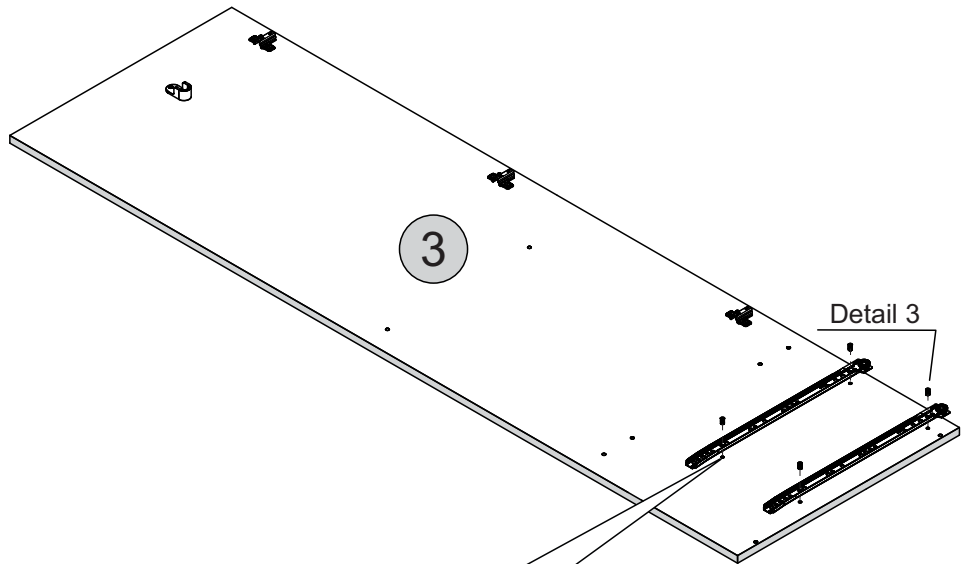
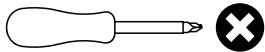
3 - DIVISION PANEL x1

HARDWARE REQUIRED

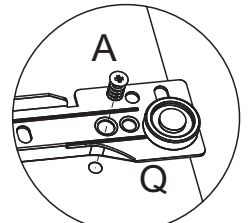
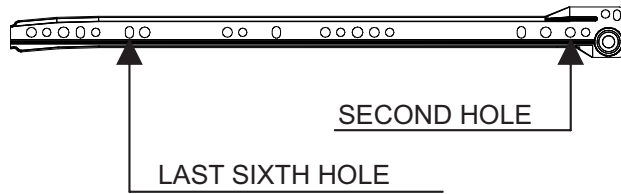
A  04
Ø6,0 x 10mm

Q  02
Right

TOOLS REQUIRED



PLEASE NOTE
PRE-DRILLED
HOLES.



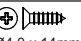
Detail 3

STEP 4

PARTS REQUIRED

5 - LEFT SIDE PANEL x1

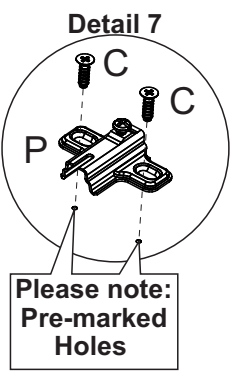
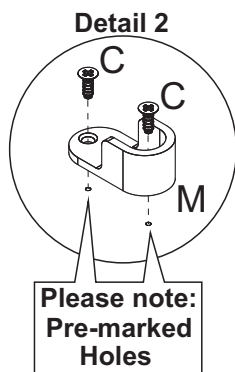
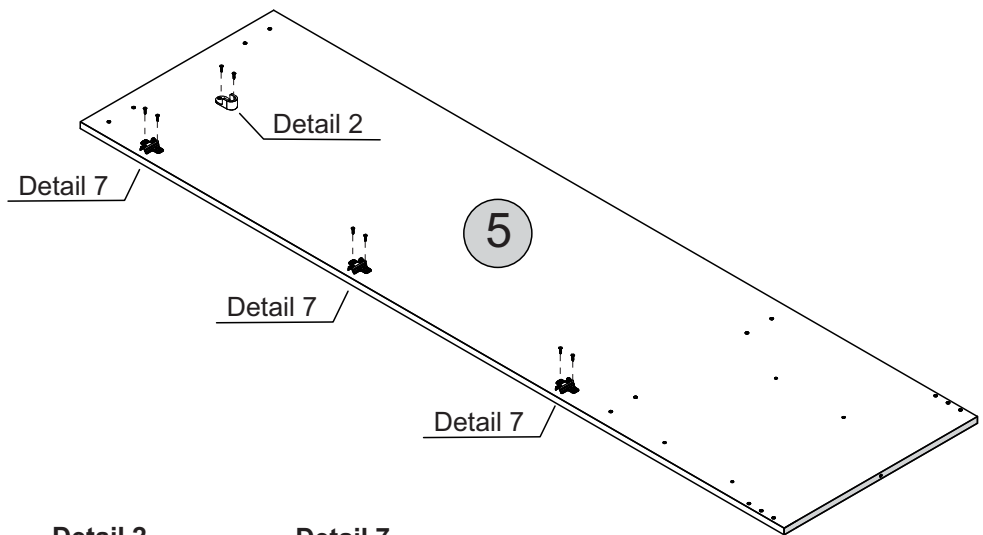
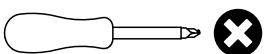
HARDWARE REQUIRED

C  08
Ø4,0 x 14mm

M  01

P  03

TOOLS REQUIRED




STEP 5

PARTS REQUIRED


5 - LEFT SIDE PANEL x1

HARDWARE REQUIRED

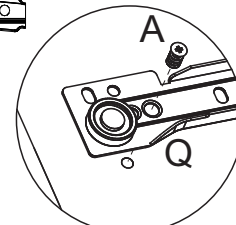
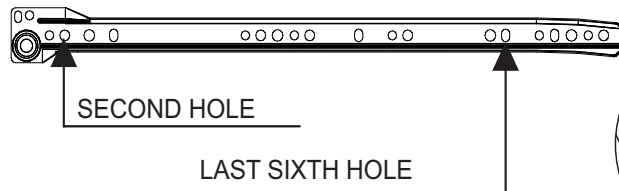
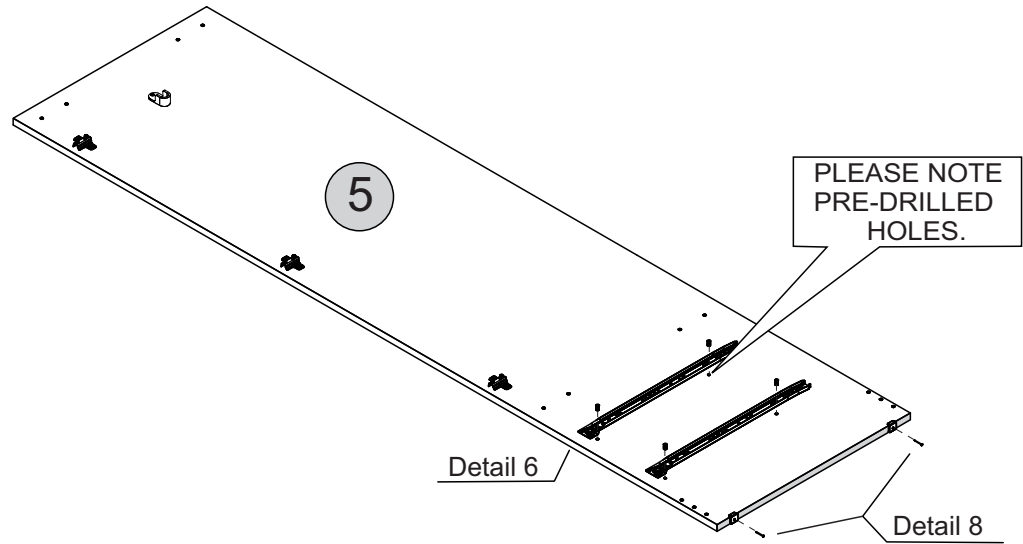
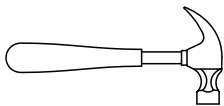
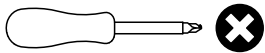
A  04
Ø6,0 x 10mm

H  02

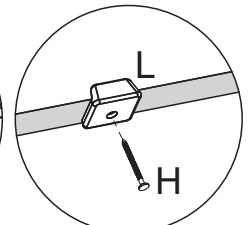
L  02

Q  02

TOOLS REQUIRED



Detail 6



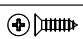
Detail 8

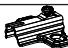
STEP 6

PARTS REQUIRED

6 - RIGHT SIDE PANEL x1

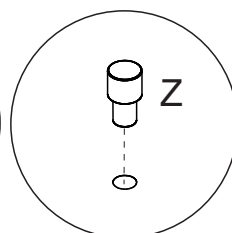
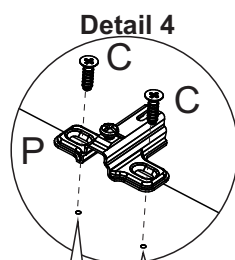
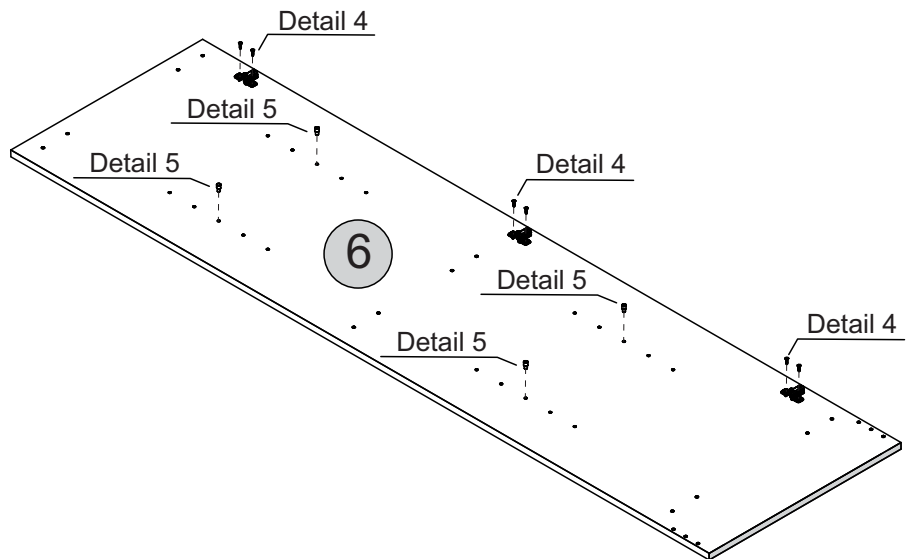
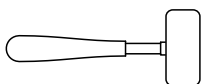
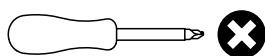
HARDWARE REQUIRED

C  06
Ø4,0 x 14mm

P  03

Z  04

TOOLS REQUIRED



Detail 5

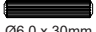


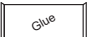
Please note:
Pre-marked
Holes

STEP 7

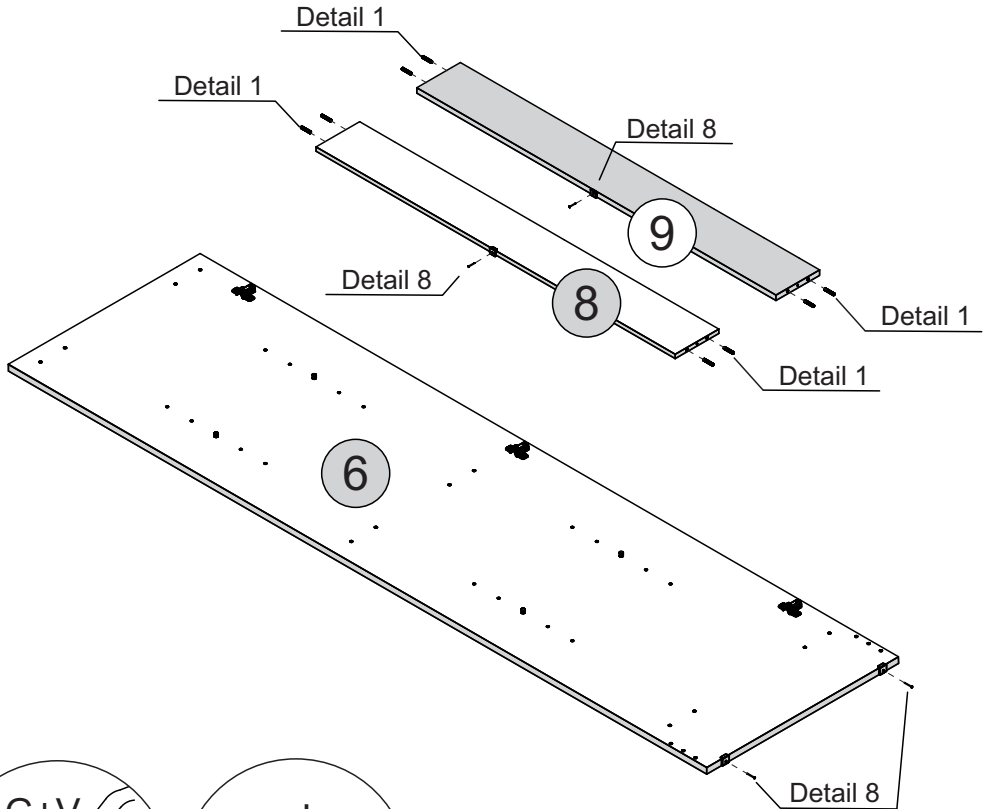
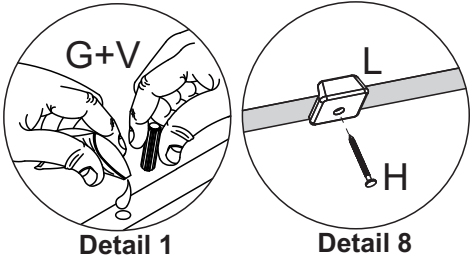
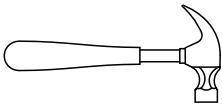
PARTS REQUIRED

- 6 - RIGHT SIDE PANEL x1
- 8 - FRONT BASEBOARD x1
- 9 - BACK BASEBOARD x1

HARDWARE REQUIRED

- G  08
Ø6,0 x 30mm
- H  04
- L  04
- V  01

TOOLS REQUIRED

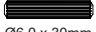



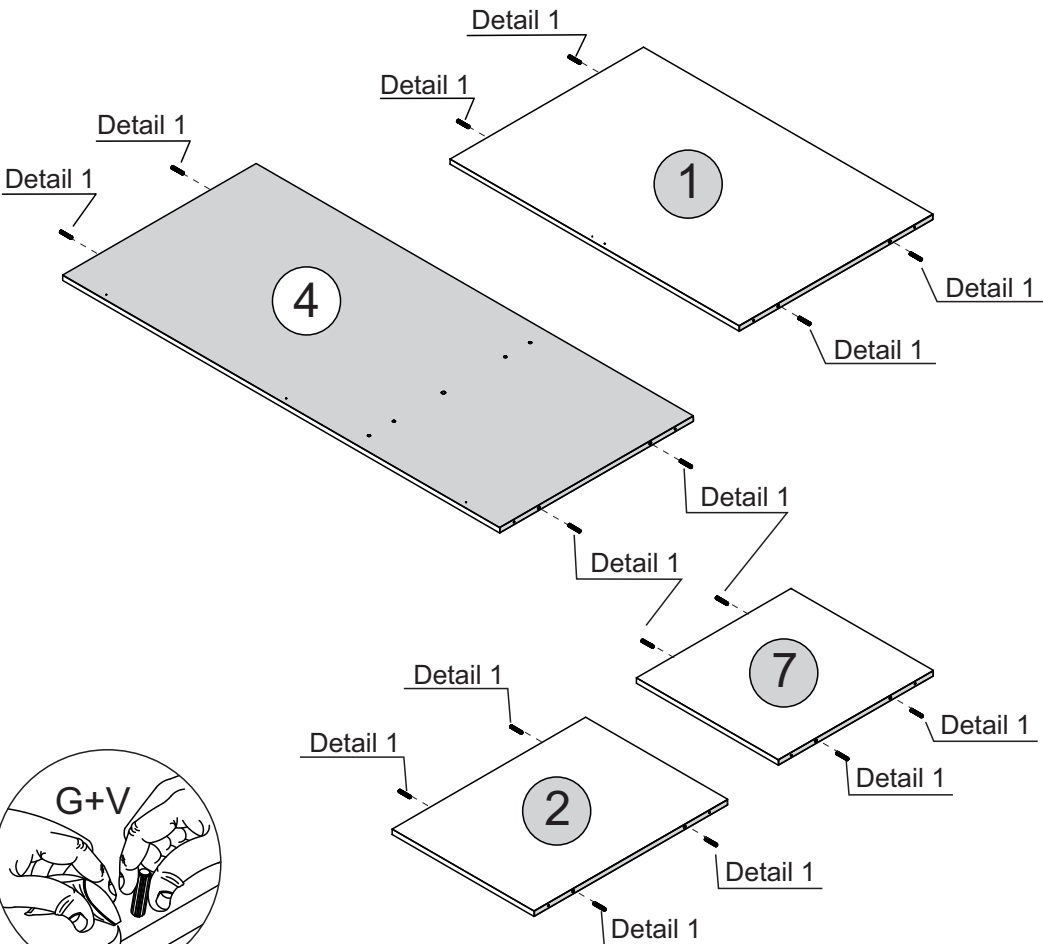
STEP 8

PARTS REQUIRED

- 1 - LARGE BASE PANEL x1
- 2 - SMALL BASE PANEL x1
- 4 - TOP PANEL x1
- 7 - SHELF x1

HARDWARE REQUIRED

- G  16
Ø6,0 x 30mm
- V  01






STEP 9

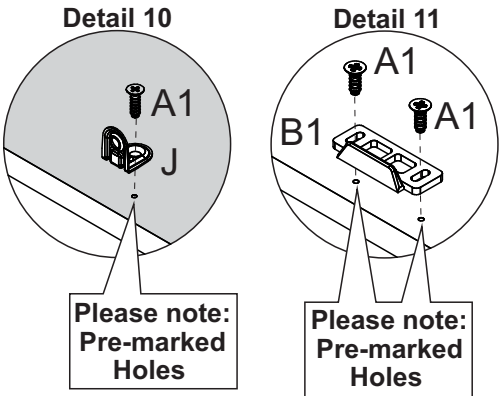
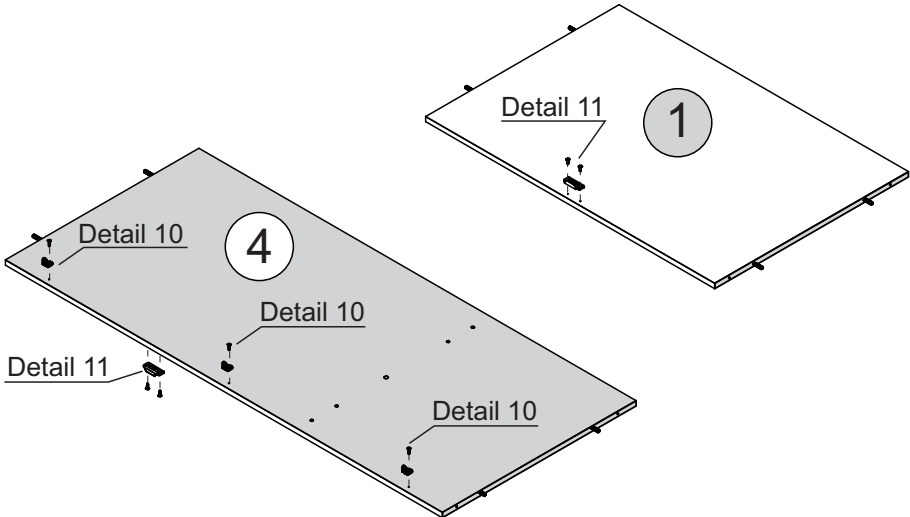
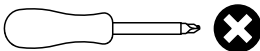
PARTS REQUIRED

- 1 - LARGE BASE PANEL x1
- 4 - TOP PANEL x1

HARDWARE REQUIRED

- A1  07
Ø4,0 x 12mm
- B1  02
- J  03

TOOLS REQUIRED

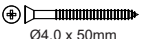



STEP 10

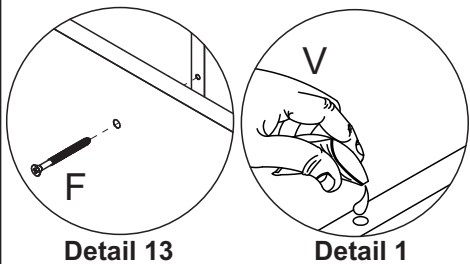
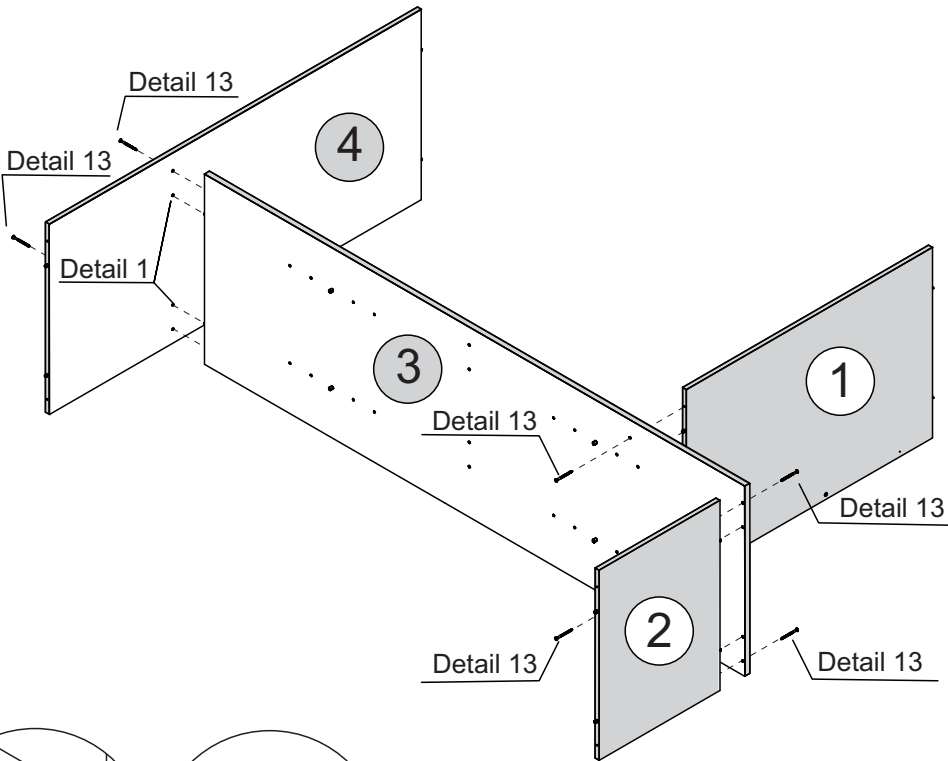
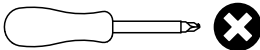
PARTS REQUIRED

- 1 - LARGE BASE PANEL x1
- 2 - SMALL BASE PANEL x1
- 3 - DIVISION PANEL x1
- 4 - TOP PANEL x1

HARDWARE REQUIRED

- F  06
Ø4,0 x 50mm
- V  01

TOOLS REQUIRED

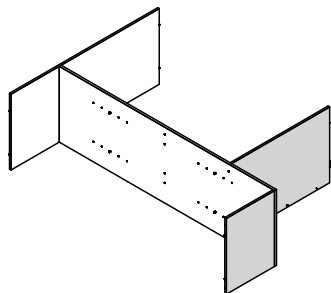


STEP 11


SEC/AY/06/21/CA5

PARTS REQUIRED

5 - LEFT SIDE PANEL x1

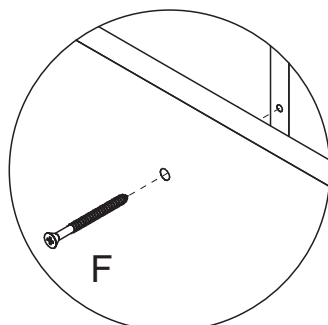
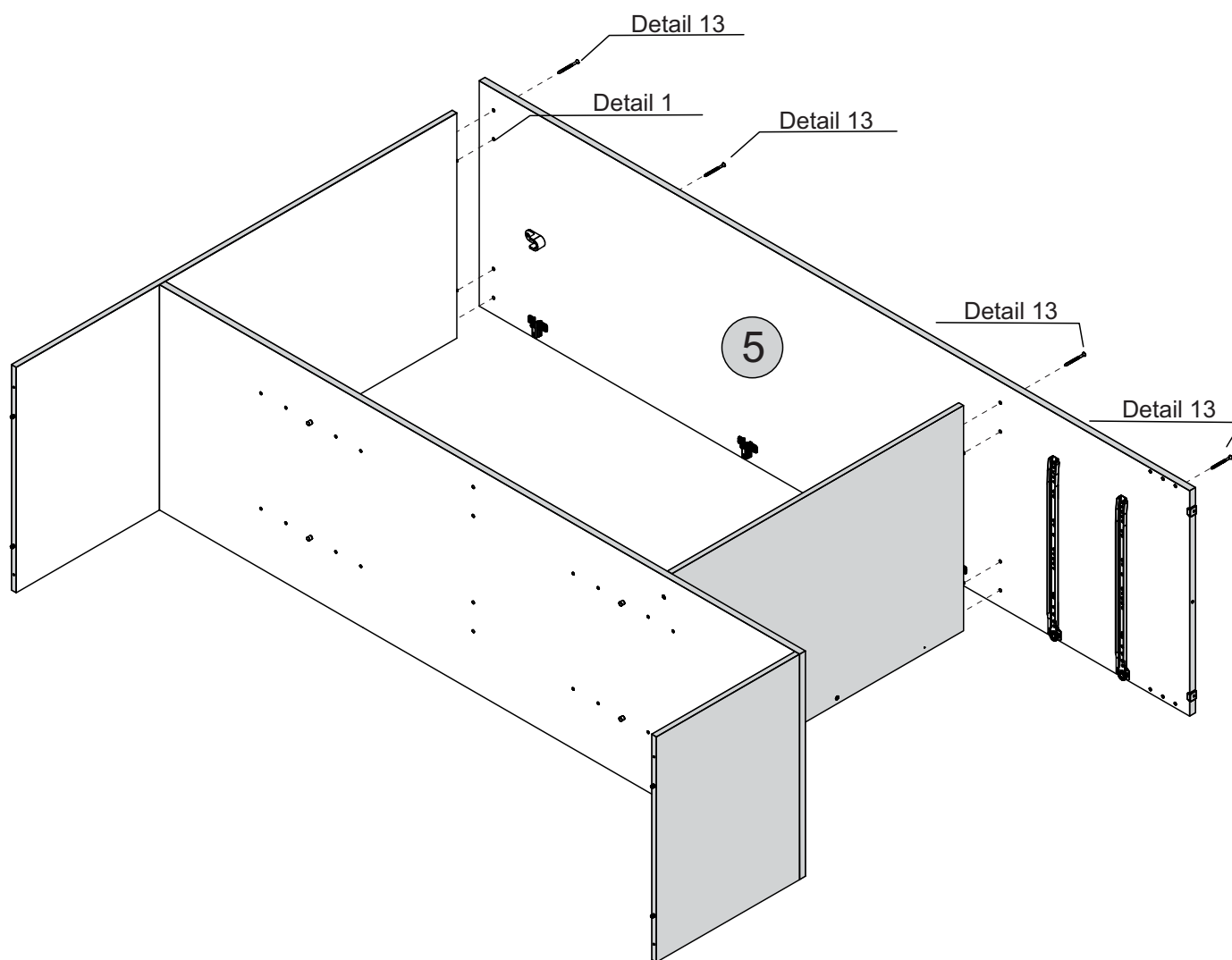
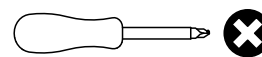


HARDWARE REQUIRED

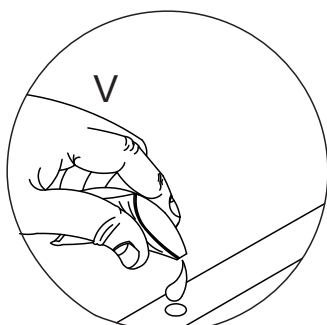
F  Ø4,0 x 50mm 04

V  Glue 01

TOOLS REQUIRED



Detail 13

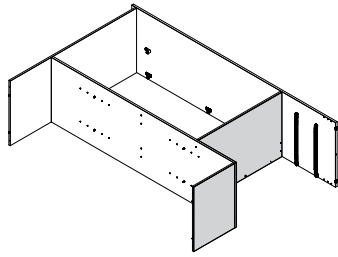


Detail 1

STEP 12


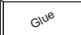
SEC/AY/06/21/CA5

PARTS REQUIRED

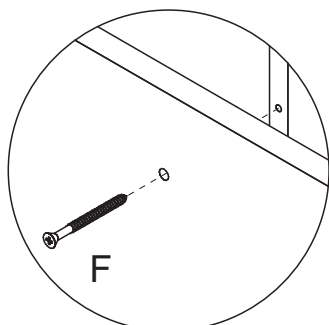
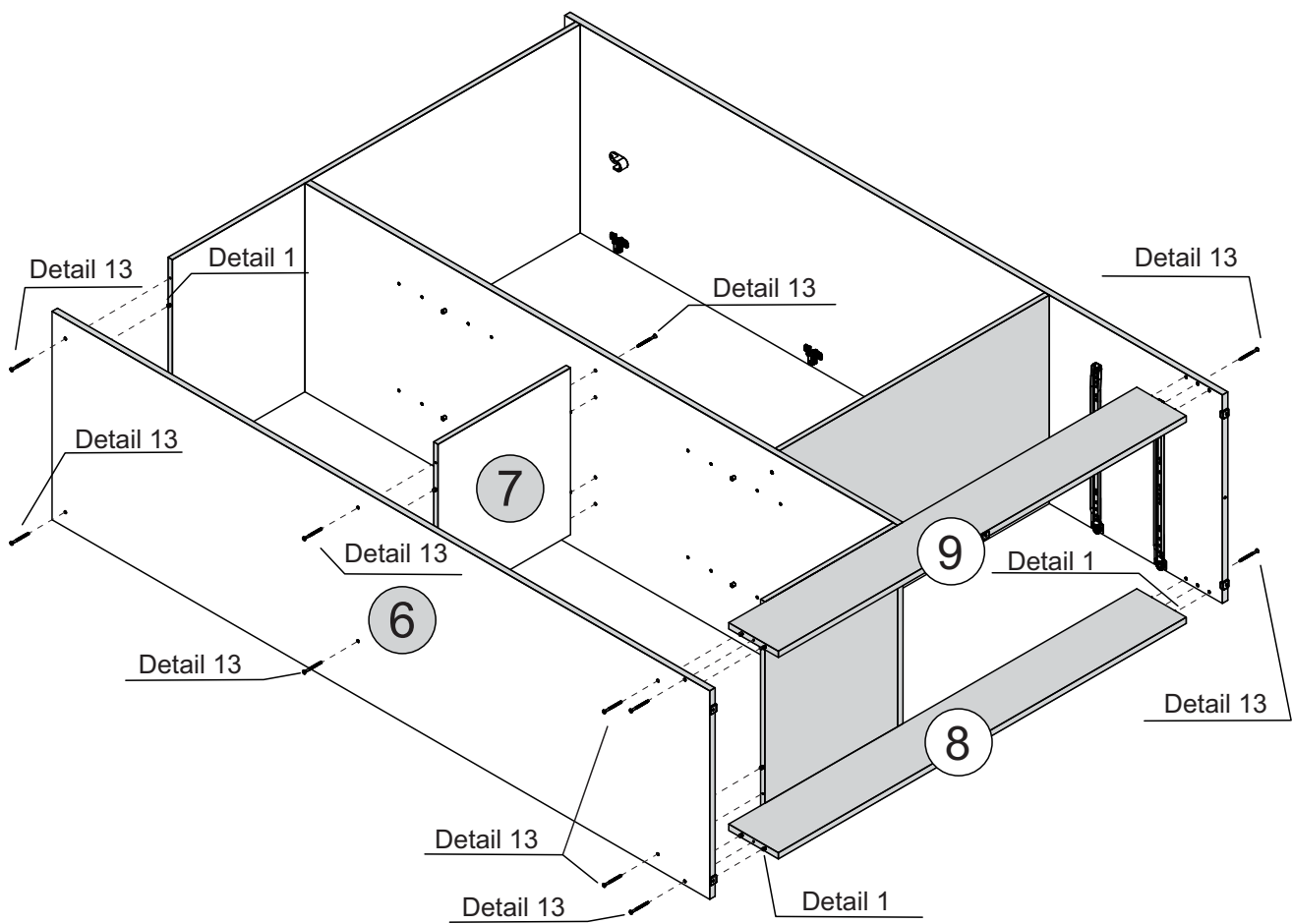
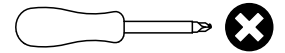


6 - RIGHT SIDE PANEL	x1
7 - SHELF	x1
8 - FRONT BASEBOARD	x1
9 - BACK BASEBOARD	x1

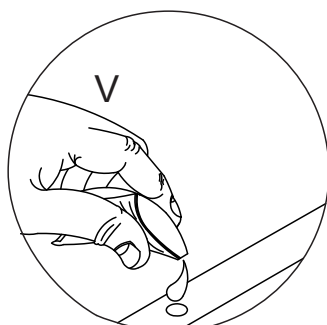
HARDWARE REQUIRED

F	 Ø4,0 x 50mm	12
V	 Glue	01

TOOLS REQUIRED



Detail 13



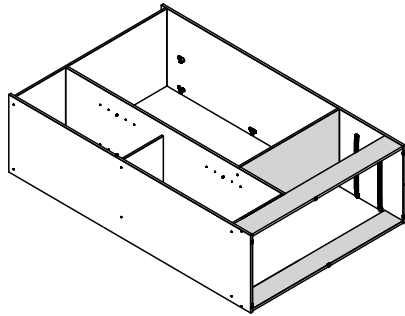
Detail 1

STEP 13

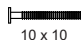
PARTS REQUIRED

10 - SMALL BACK PANEL x2

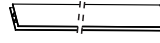
11 - LARGE BACK PANEL x1



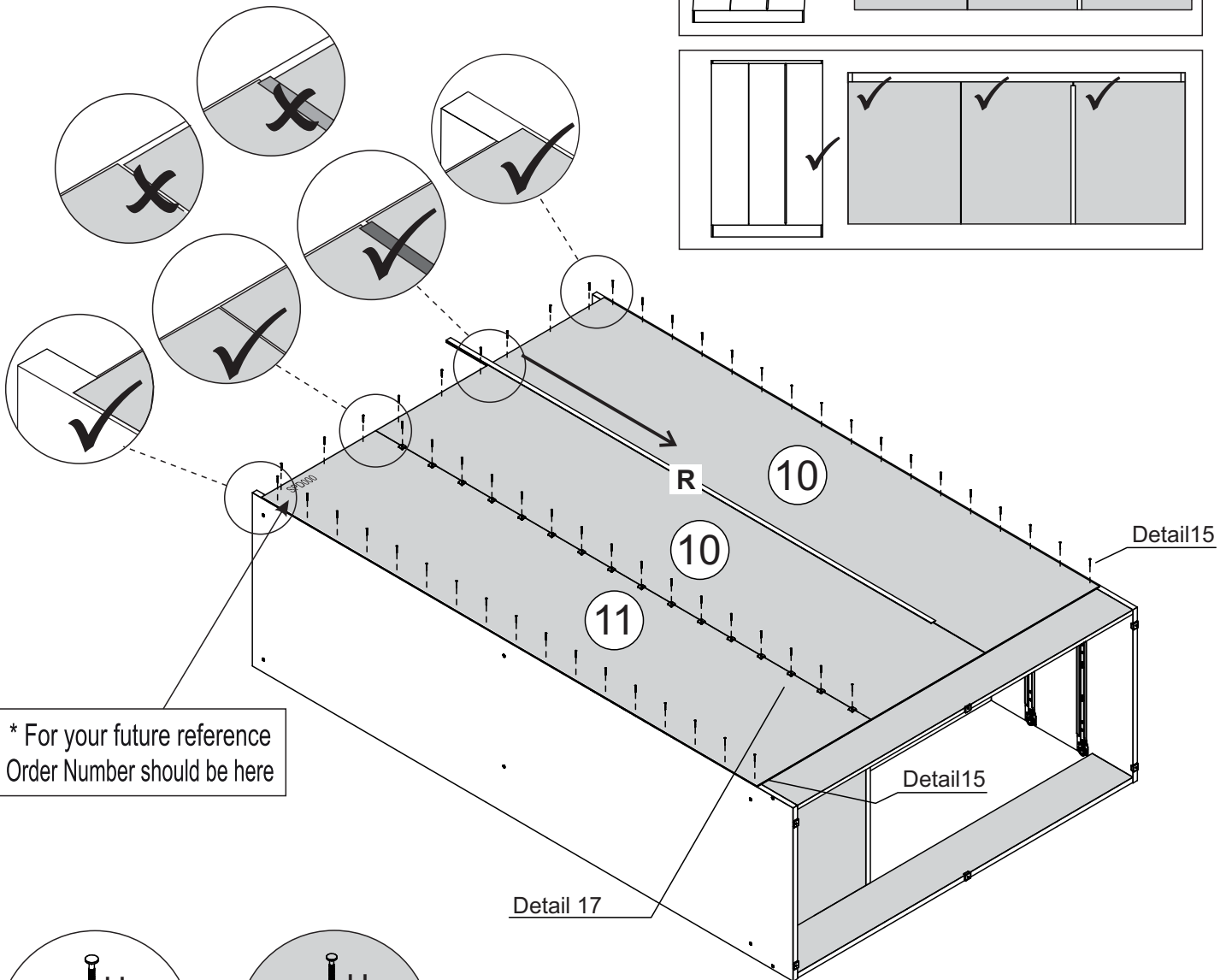
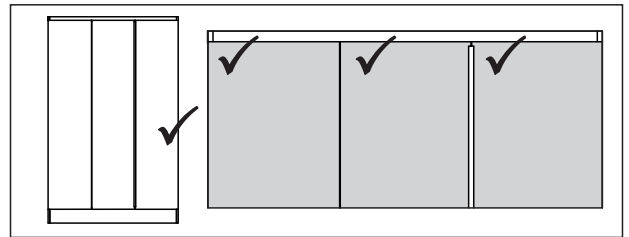
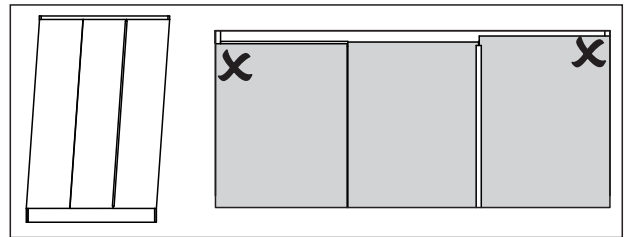
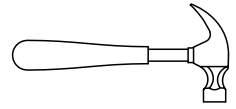
HARDWARE REQUIRED

H  10 x 10 59

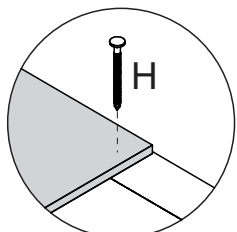
I  16

R  01

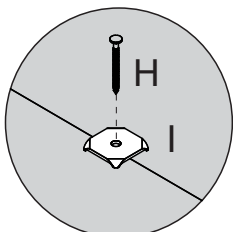
TOOLS REQUIRED



* For your future reference
Order Number should be here



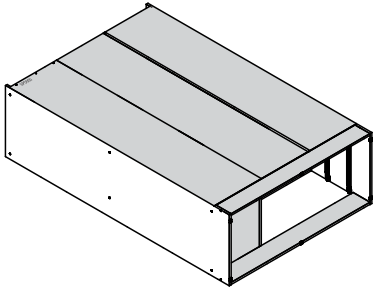
Detail 15




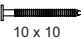
Detail 17

STEP 14

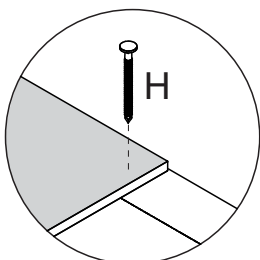
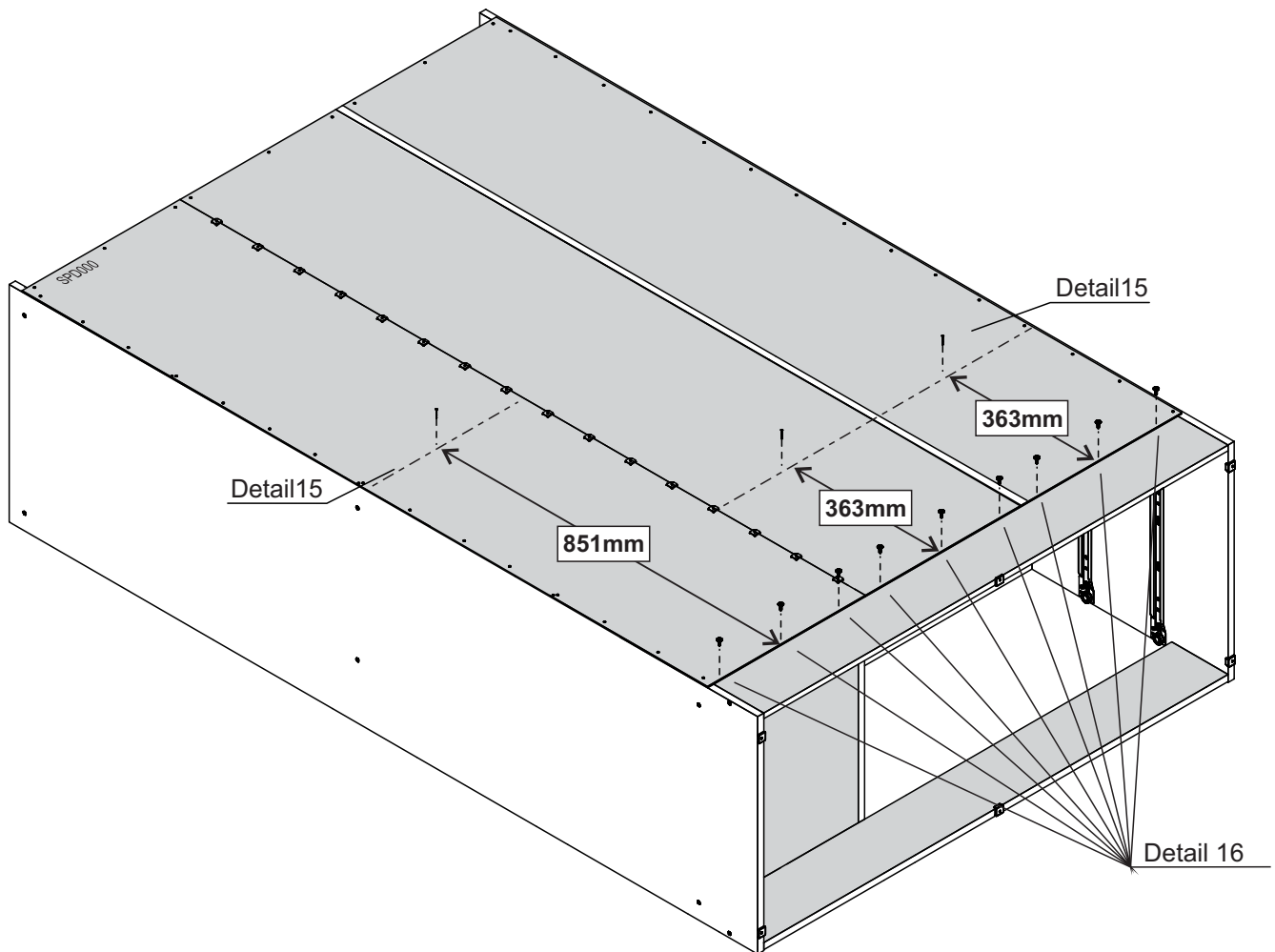
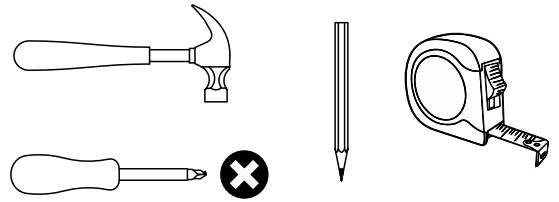
PARTS REQUIRED



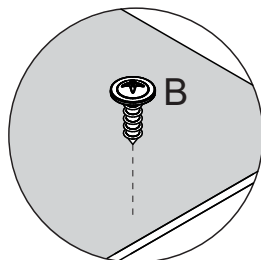
HARDWARE REQUIRED

B	 09 Ø4.0 x 14mm
H	 03 10 x 10

TOOLS REQUIRED



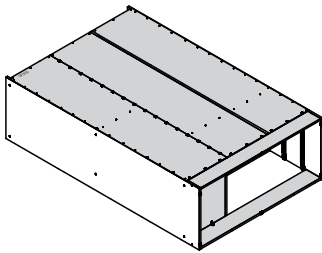
Detail 15



Detail 16

STEP 15

PARTS REQUIRED

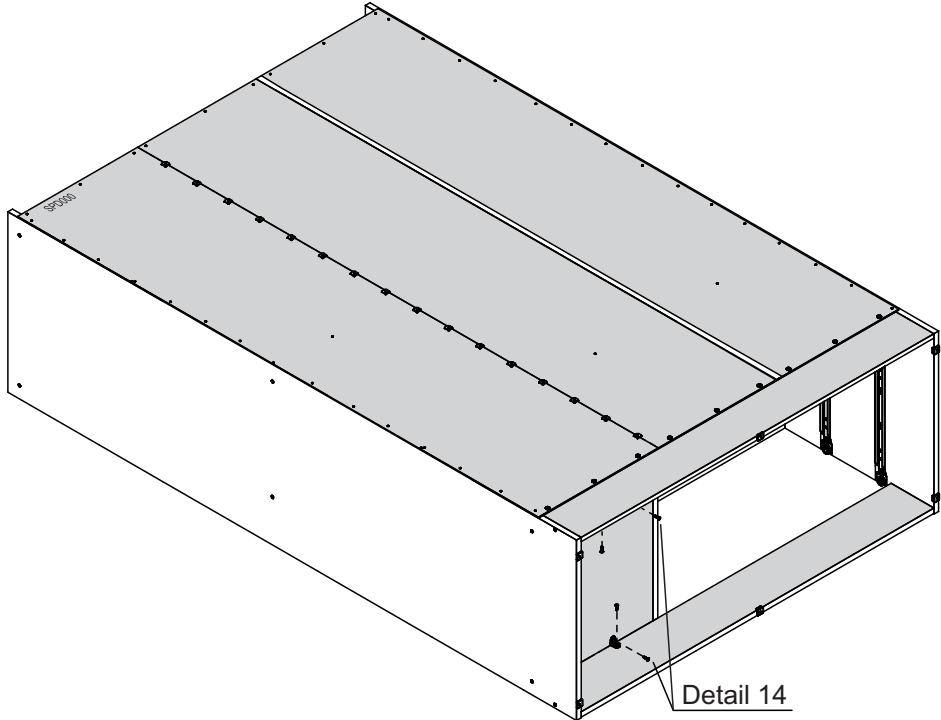
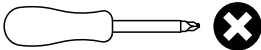


HARDWARE REQUIRED

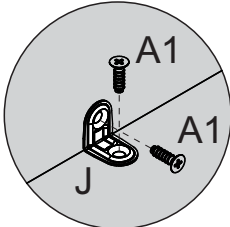
A1  04
Ø4.0 x 12mm

J  02

TOOLS REQUIRED



Detail 14

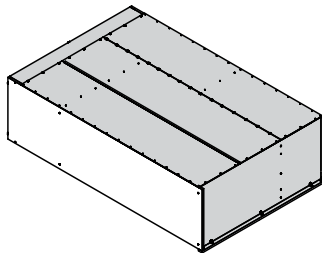


Detail 14


STEP 16


PARTS REQUIRED

12 - FRAME x1

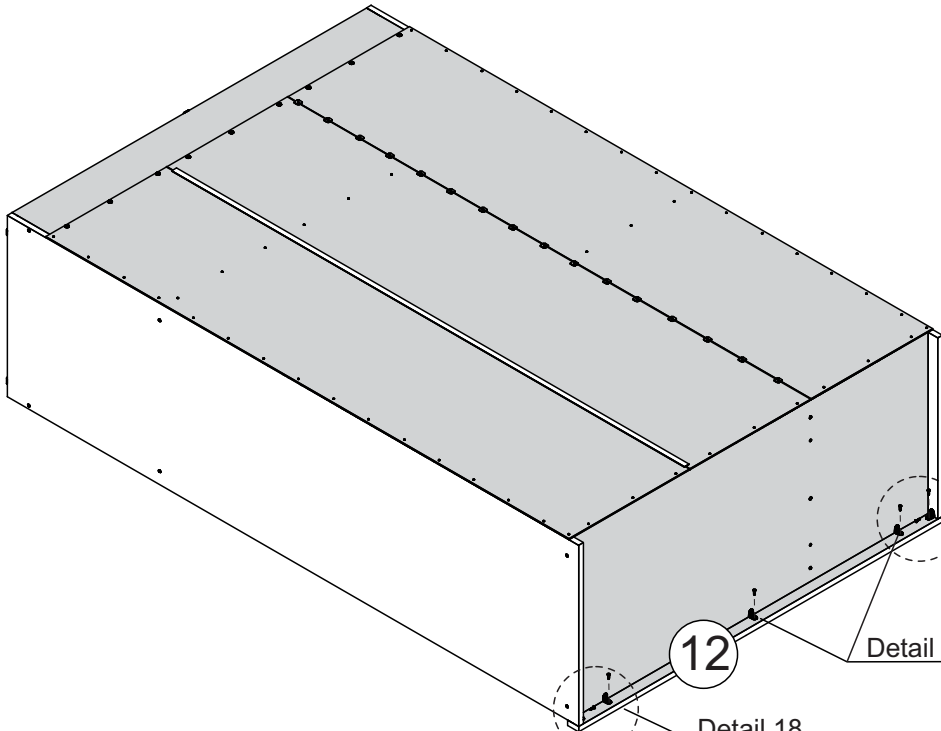
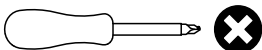


HARDWARE REQUIRED

J  02

A1  07
Ø4.0 x 12mm

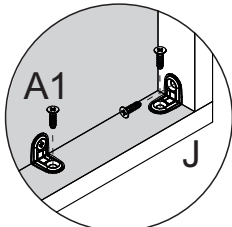
TOOLS REQUIRED



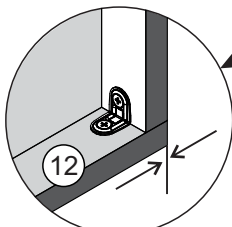
12

Detail 18

Detail 18



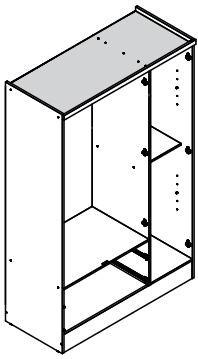
Detail 18



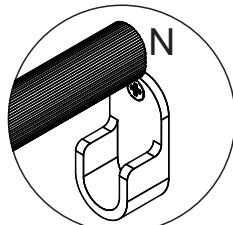
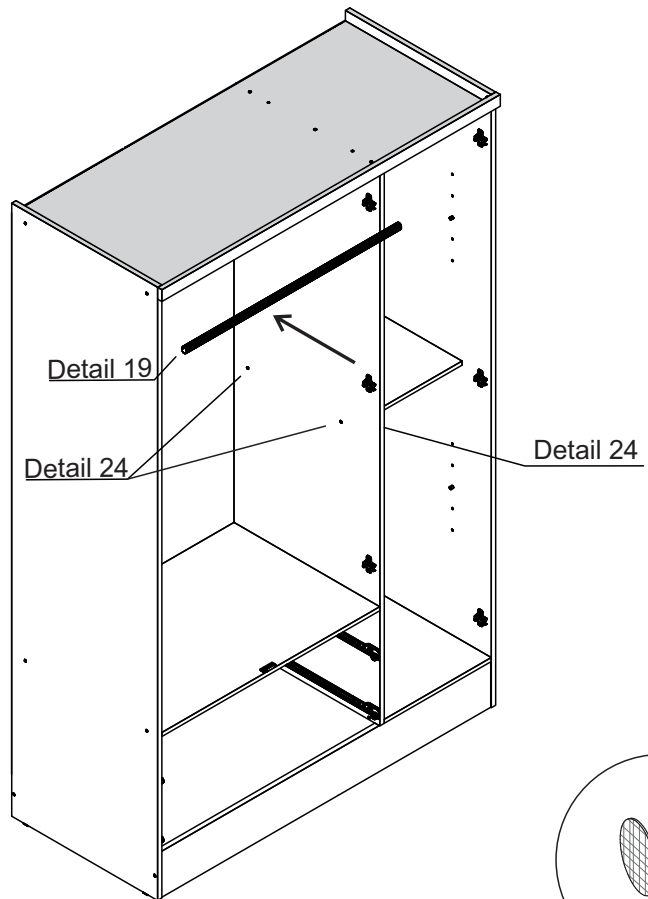
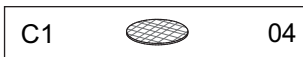
Align corners

STEP 17

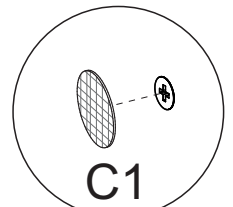
PARTS REQUIRED



HARDWARE REQUIRED



Detail 19



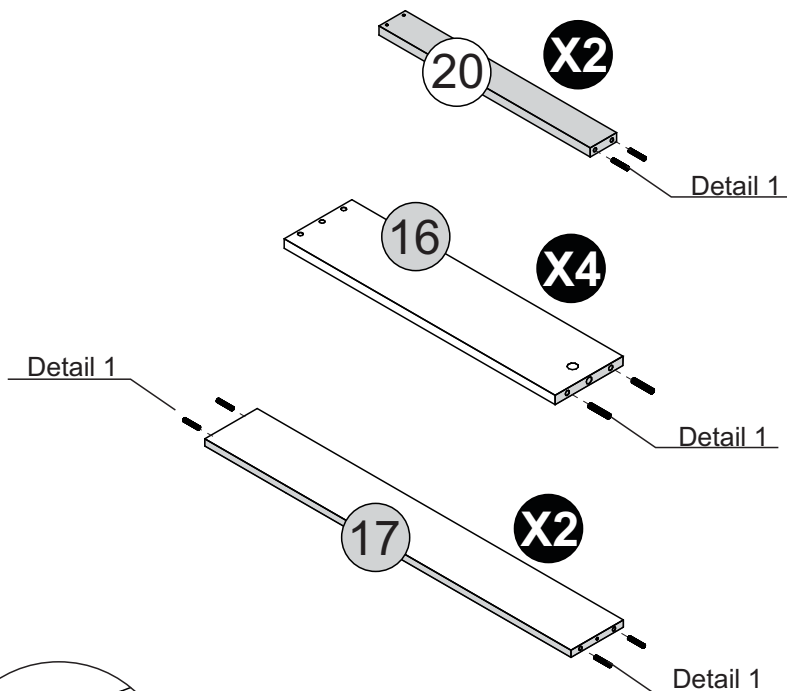
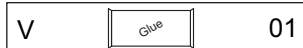
Detail 24

STEP 18

PARTS REQUIRED



HARDWARE REQUIRED




Detail 1

STEP 19

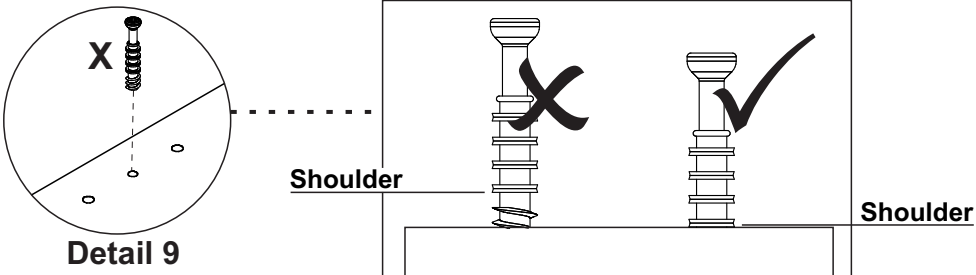
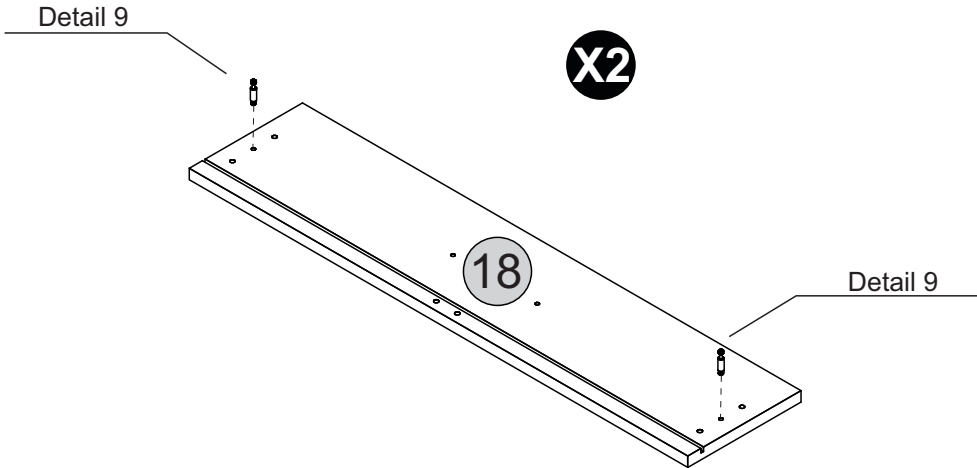
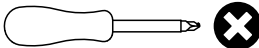
PARTS REQUIRED

18 - DRAWER FRONT x2

HARDWARE REQUIRED

X  04

TOOLS REQUIRED




STEP 20

PARTS REQUIRED

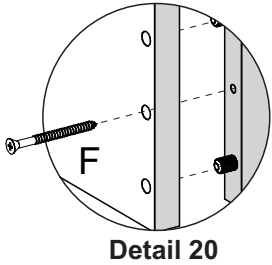
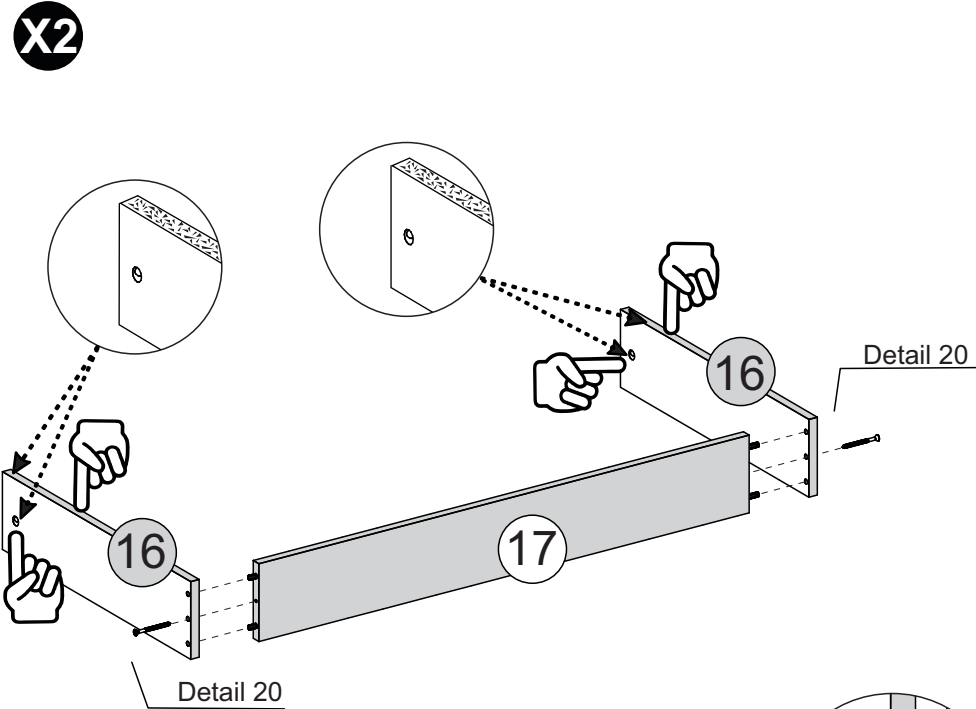
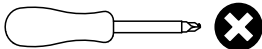
16 - DRAWER SIDE x4

17 - DRAWER BACK PANEL x2

HARDWARE REQUIRED

F  Ø4,0 x 50mm 04

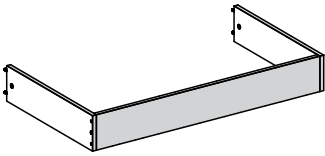
TOOLS REQUIRED



STEP 21

PARTS REQUIRED

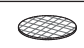
18 - DRAWER FRONT x2



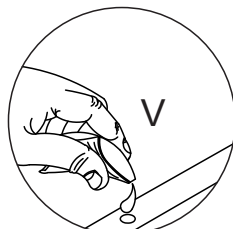
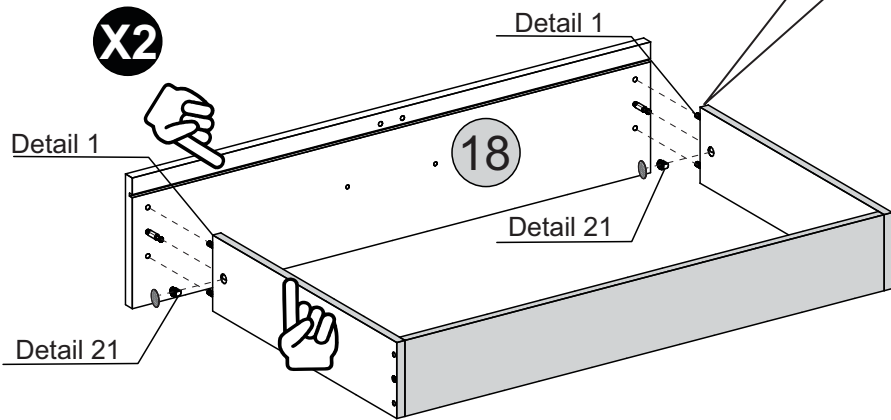
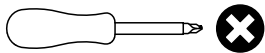
HARDWARE REQUIRED

V  01

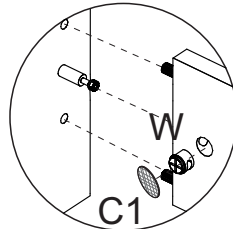
W  04

C1  04

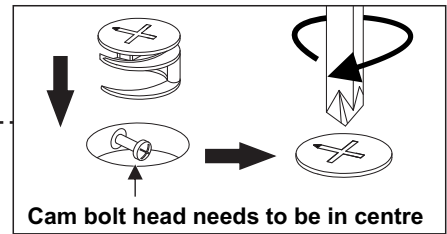
TOOLS REQUIRED



Detail 1



Detail 21

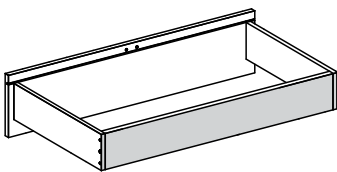


Cam bolt head needs to be in centre

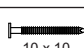
STEP 22

PARTS REQUIRED

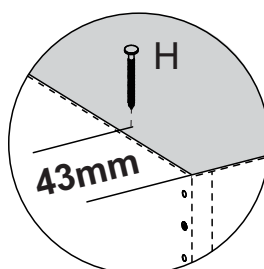
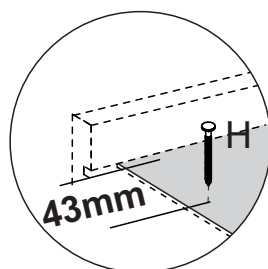
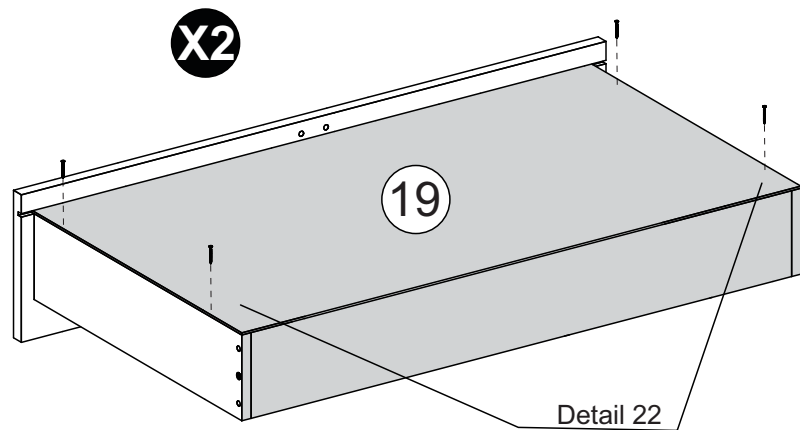
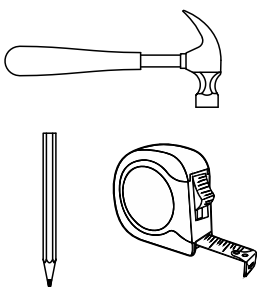
19 - DRAWER BOTTOM x2



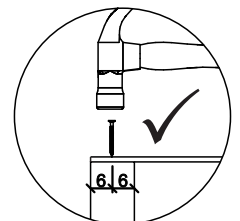
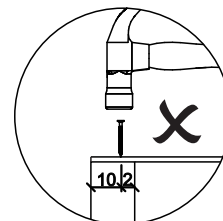
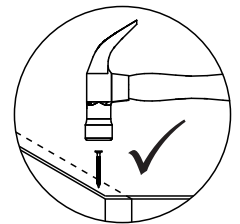
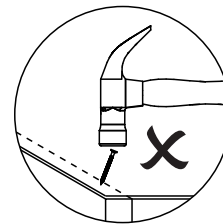
HARDWARE REQUIRED

H  10 x 10 08

TOOLS REQUIRED



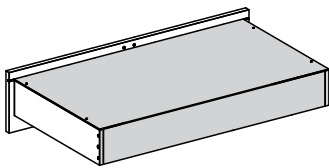
Detail 22



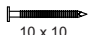
STEP 23

PARTS REQUIRED

20 - DRAWER BOTTOM SUPPORT BAR X2

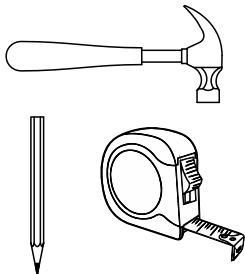


HARDWARE REQUIRED

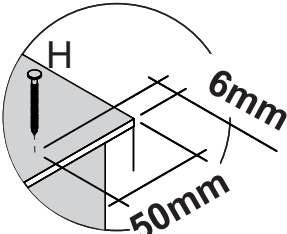
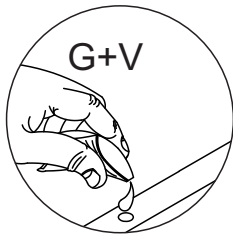
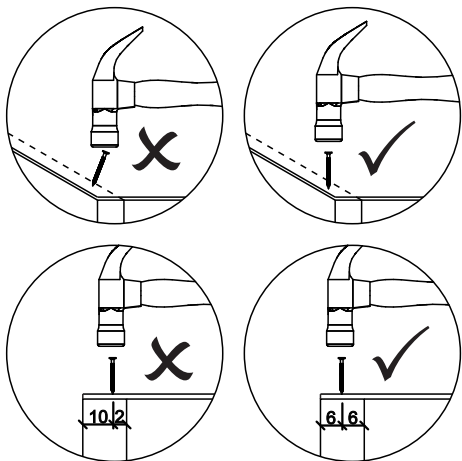
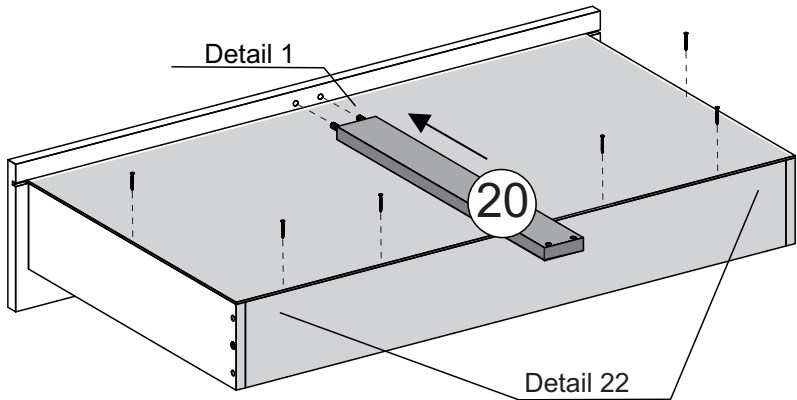
H  12

V  01

TOOLS REQUIRED



X2

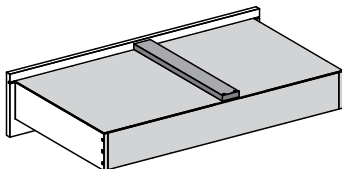


Detail 1

Detail 22

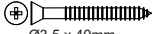
STEP 24

PARTS REQUIRED



HARDWARE REQUIRED

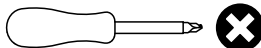
C  08

E  04

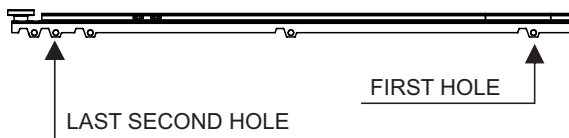
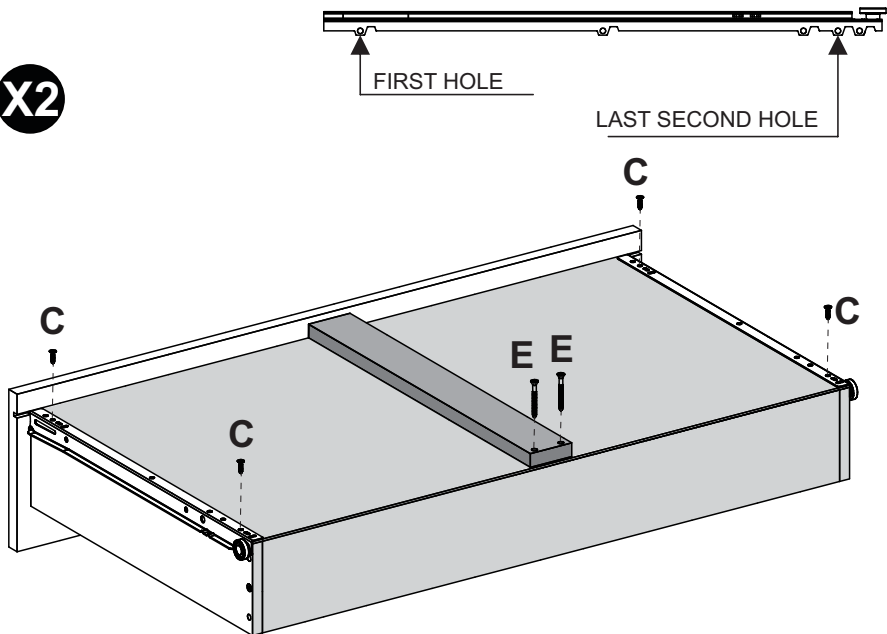
Q  02

Q  02

TOOLS REQUIRED



X2

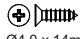



STEP 25

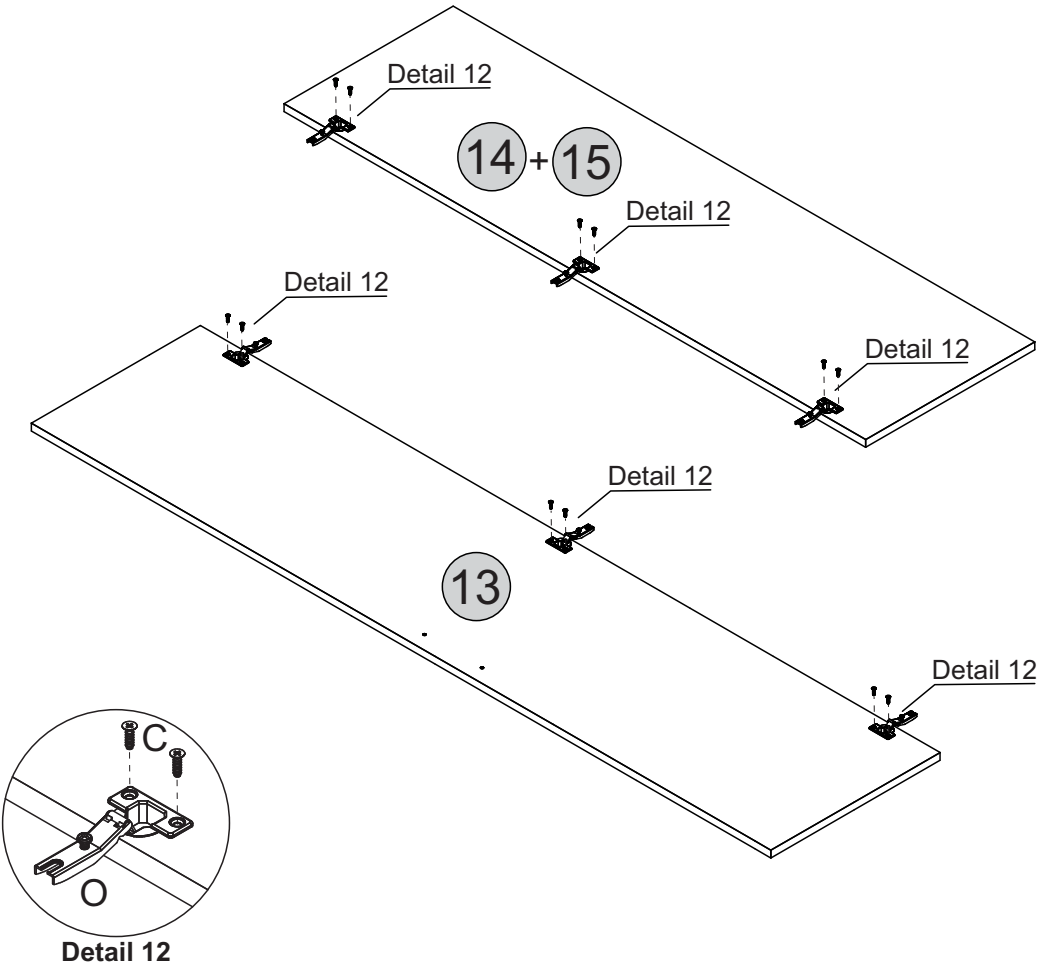
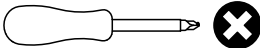
PARTS REQUIRED

- 13 - LARGE DOOR x1
- 14 - RIGHT SMALL DOOR x1
- 15 - LEFT SMALL DOOR x1

HARDWARE REQUIRED

- C  18
Ø4,0 x 14mm
- O  09

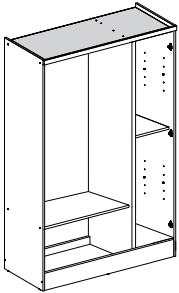
TOOLS REQUIRED



STEP 26

PARTS REQUIRED

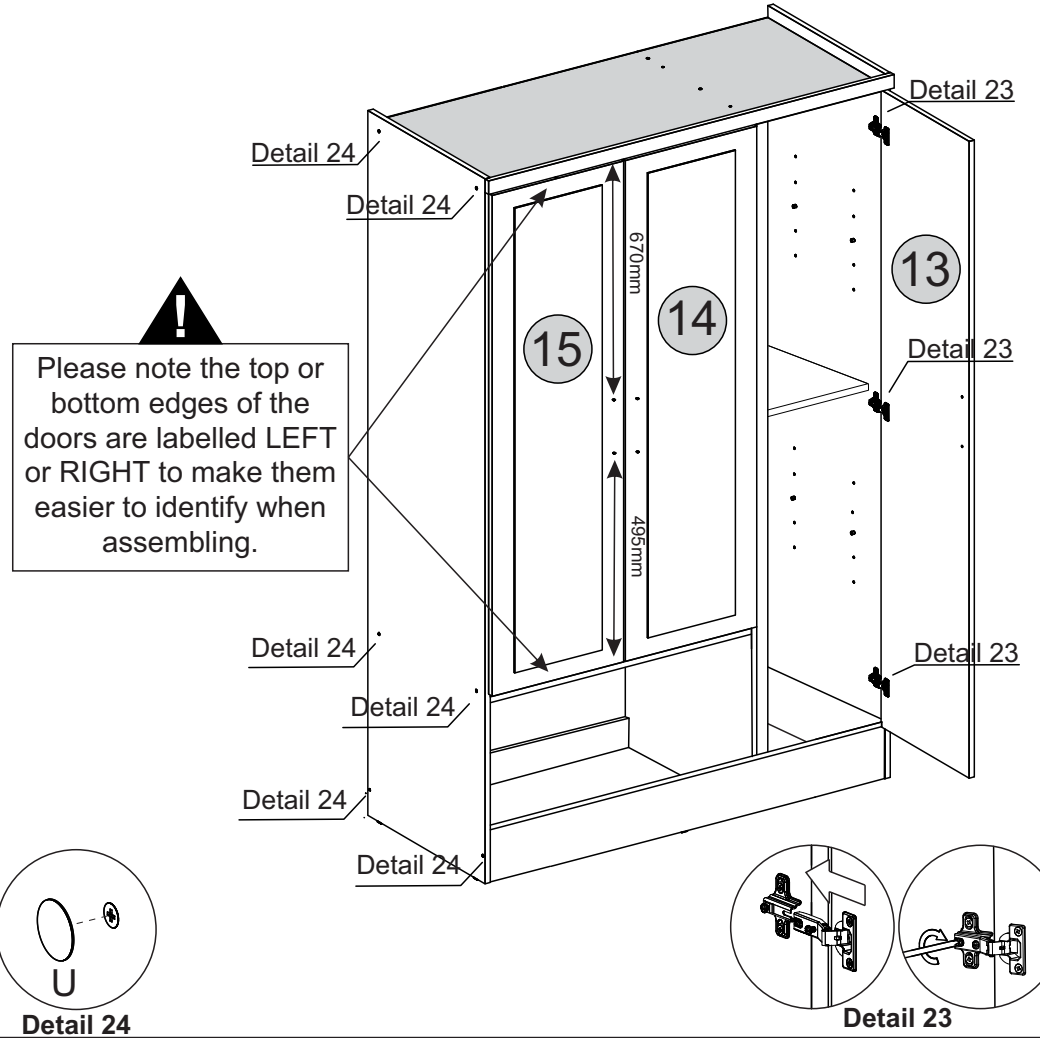
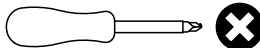
- 13 - LARGE DOOR x1
- 14 - RIGHT SMALL DOOR x1
- 15 - LEFT SMALL DOOR x1



HARDWARE REQUIRED

- U  14

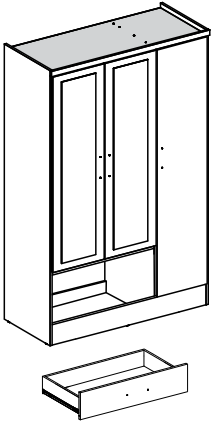
TOOLS REQUIRED



STEP 27

PARTS REQUIRED

21 - MOVEABLE SHELF x2

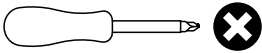


HARDWARE REQUIRED

D  10
Ø4,0 x 20mm

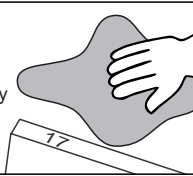
T  05

TOOLS REQUIRED

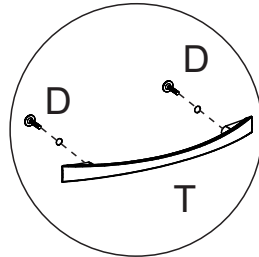
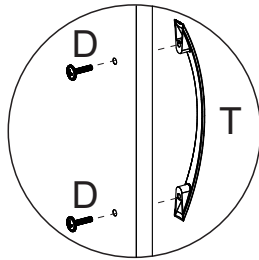
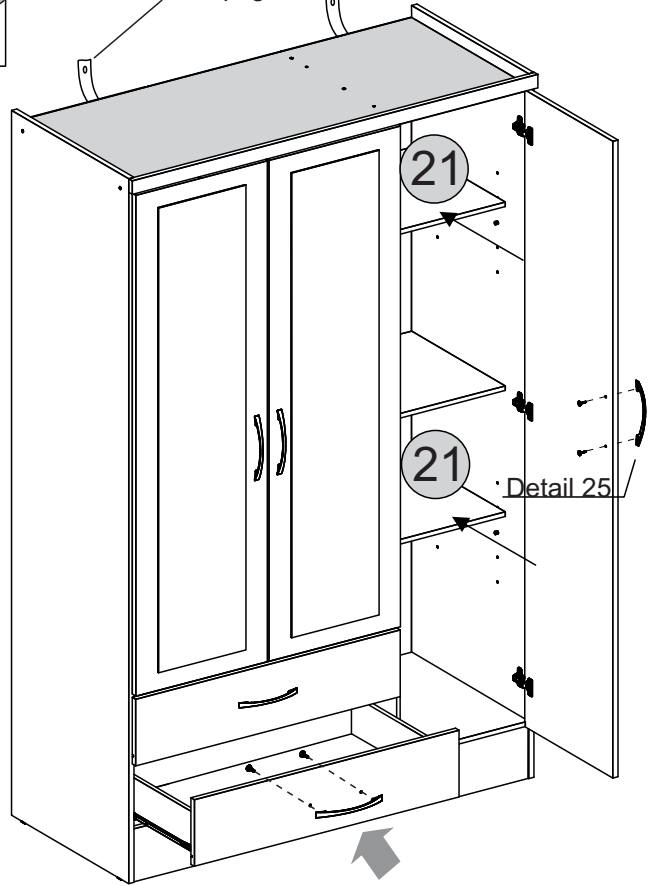


TIP

If desired, after assembly use an alcohol cleaner to erase the number printed on the parts.



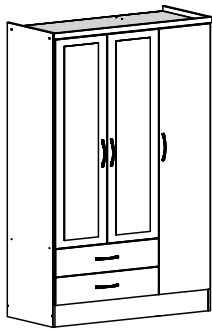
 See the last page



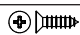
Detail 25

STEP 28

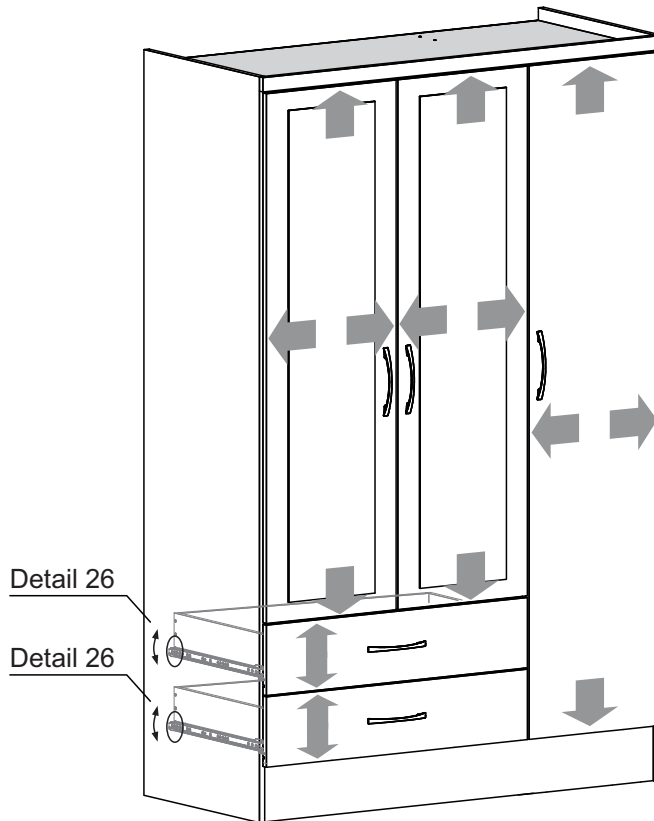
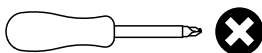
PARTS REQUIRED



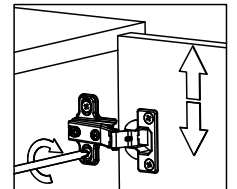
HARDWARE REQUIRED

C  04
Ø4,0 x 14mm

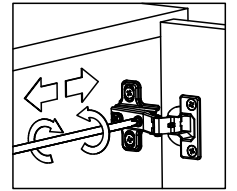
TOOLS REQUIRED



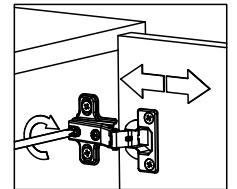
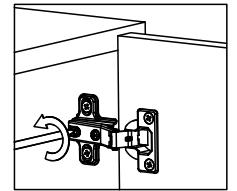
Height Adjustment



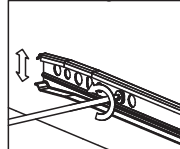
Internal Adjustment



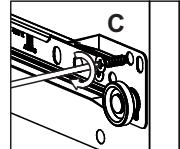
Depth Adjustment



Drawer Adjustment



Drawer Lock



Detail 26

WARNING

Serious or fatal injuries can occur from furniture tipping over. To prevent the furniture from tipping over we recommend that it is permanently fixed to the wall.

Wall fixings are not supplied with this product as different wall materials require different types of fixing devices.

Please make sure you use fixings suitable for the walls in your home.

